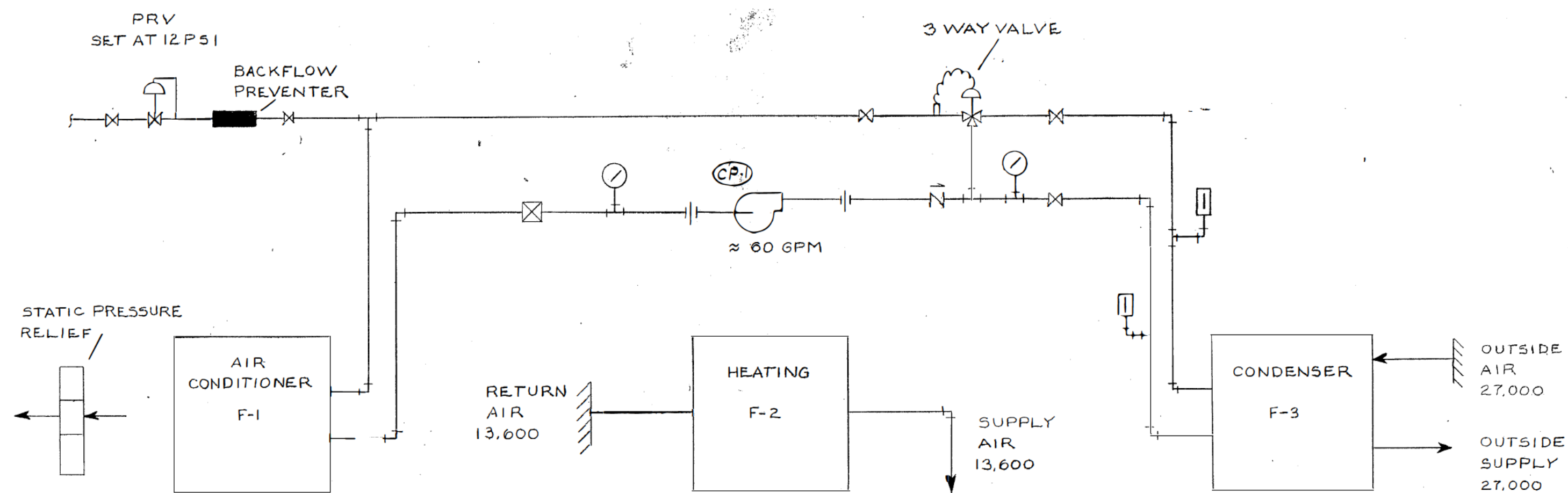
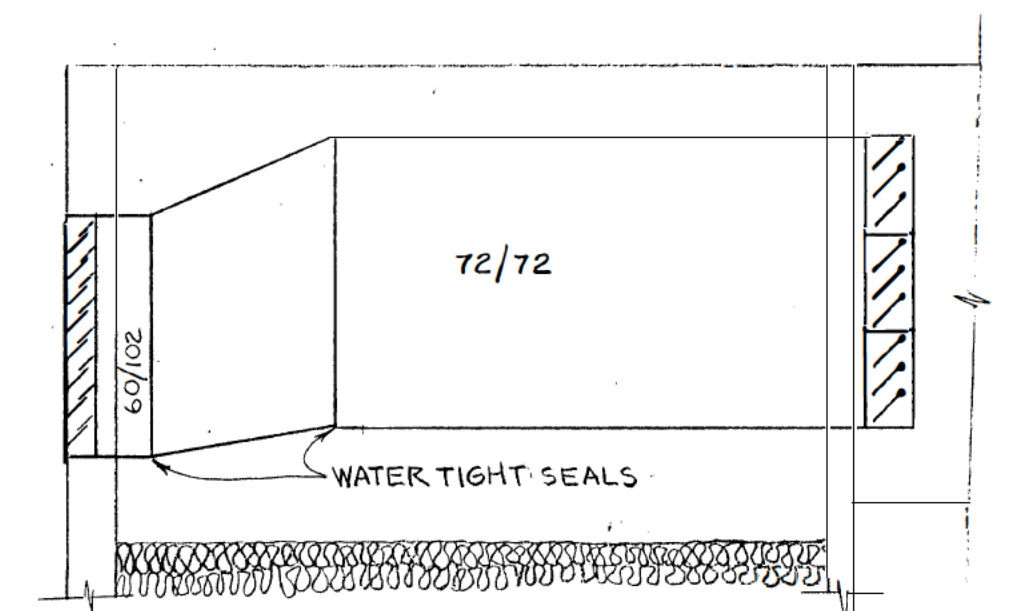


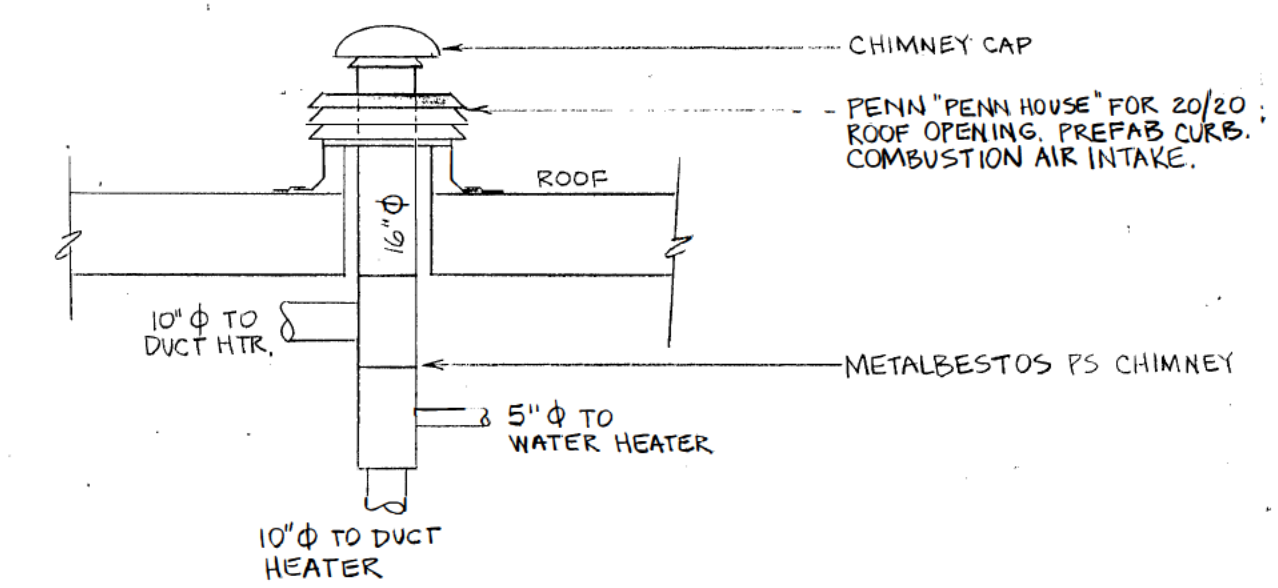
**MECHANICAL ROOM / PENTHOUSE PLAN**  
1/8" = 1'0"



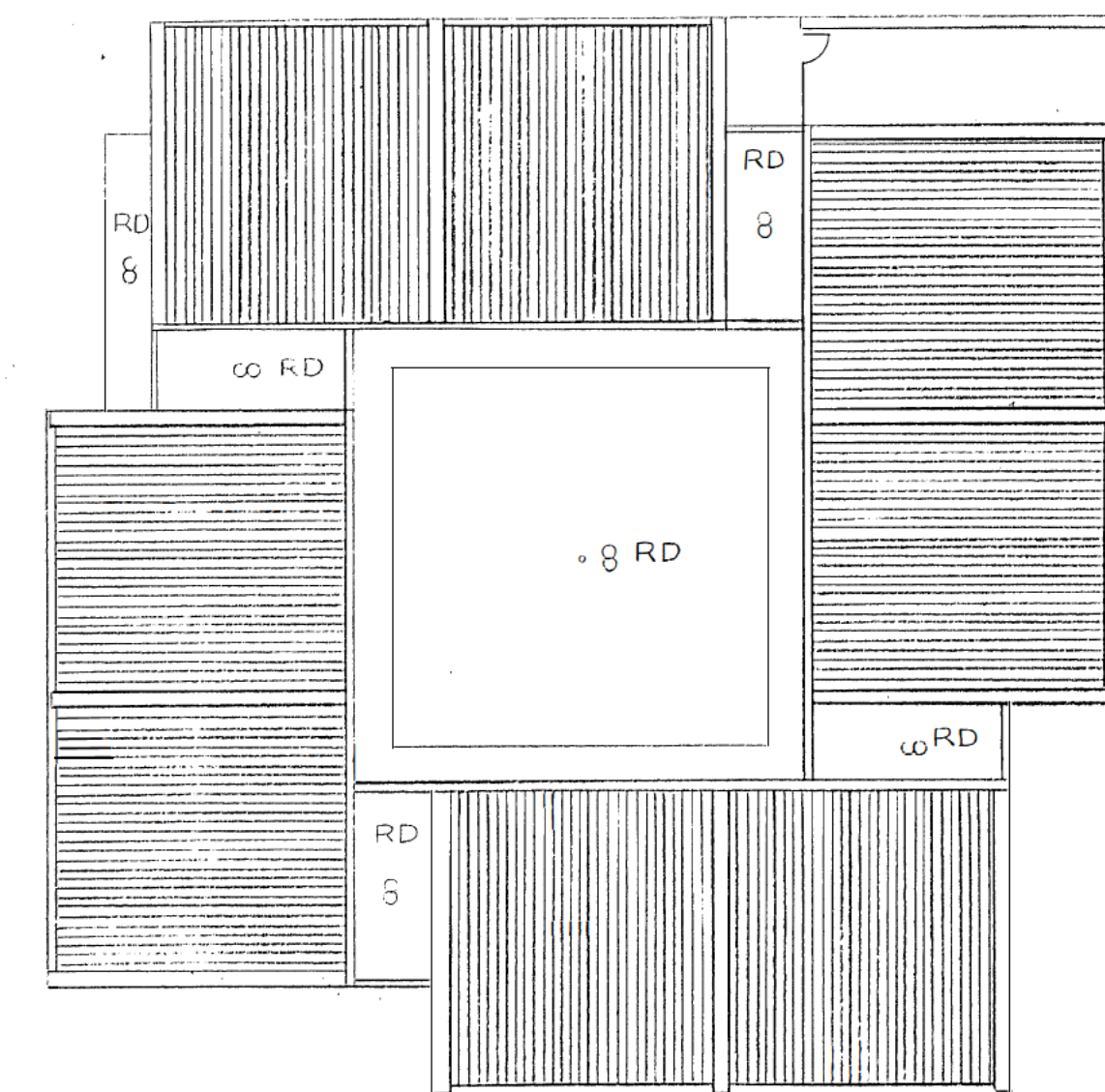
**HVAC SCHEMATIC**



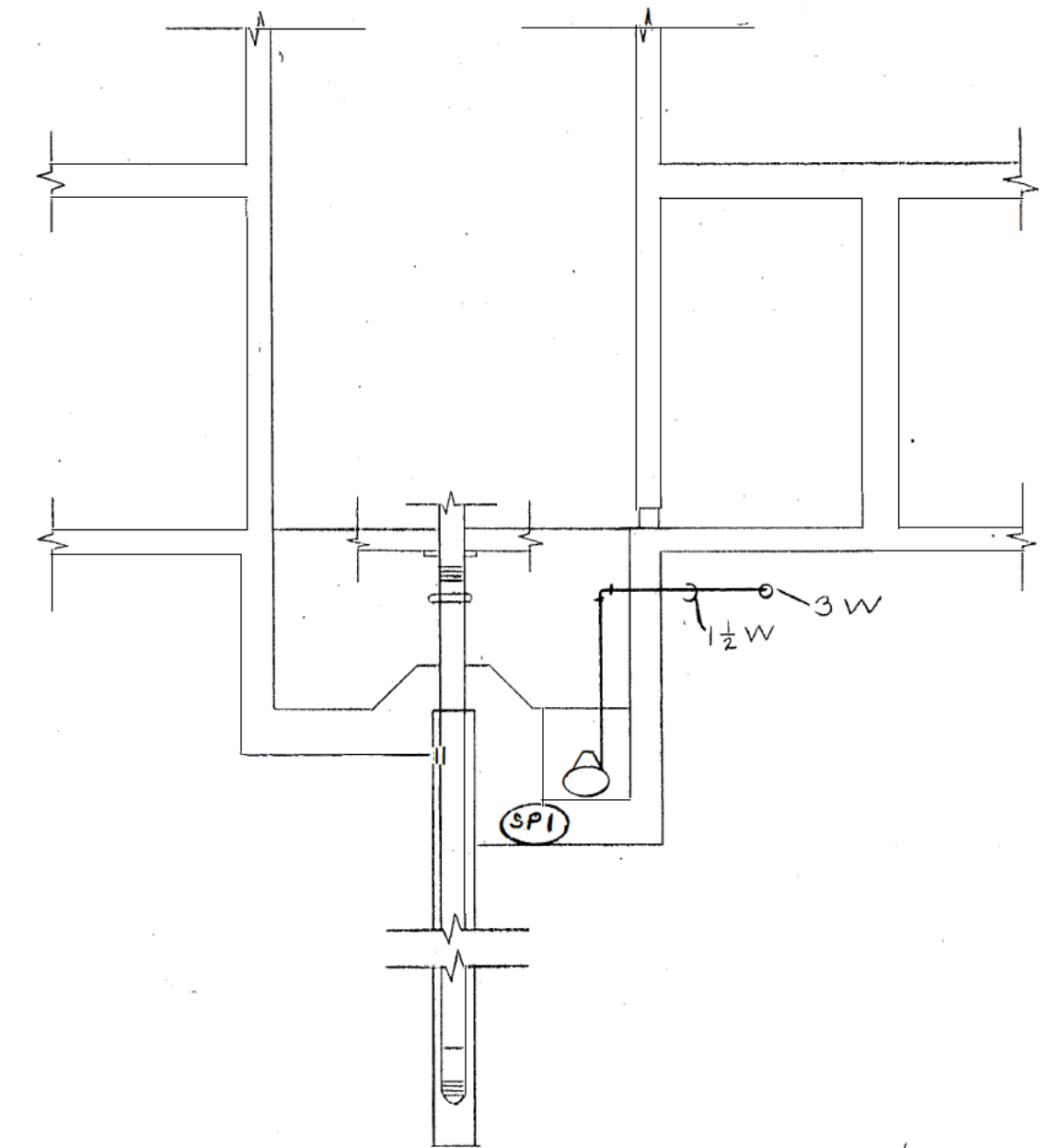
**GRAVITY RELIEF SECTION**  
1/4" = 1'0"



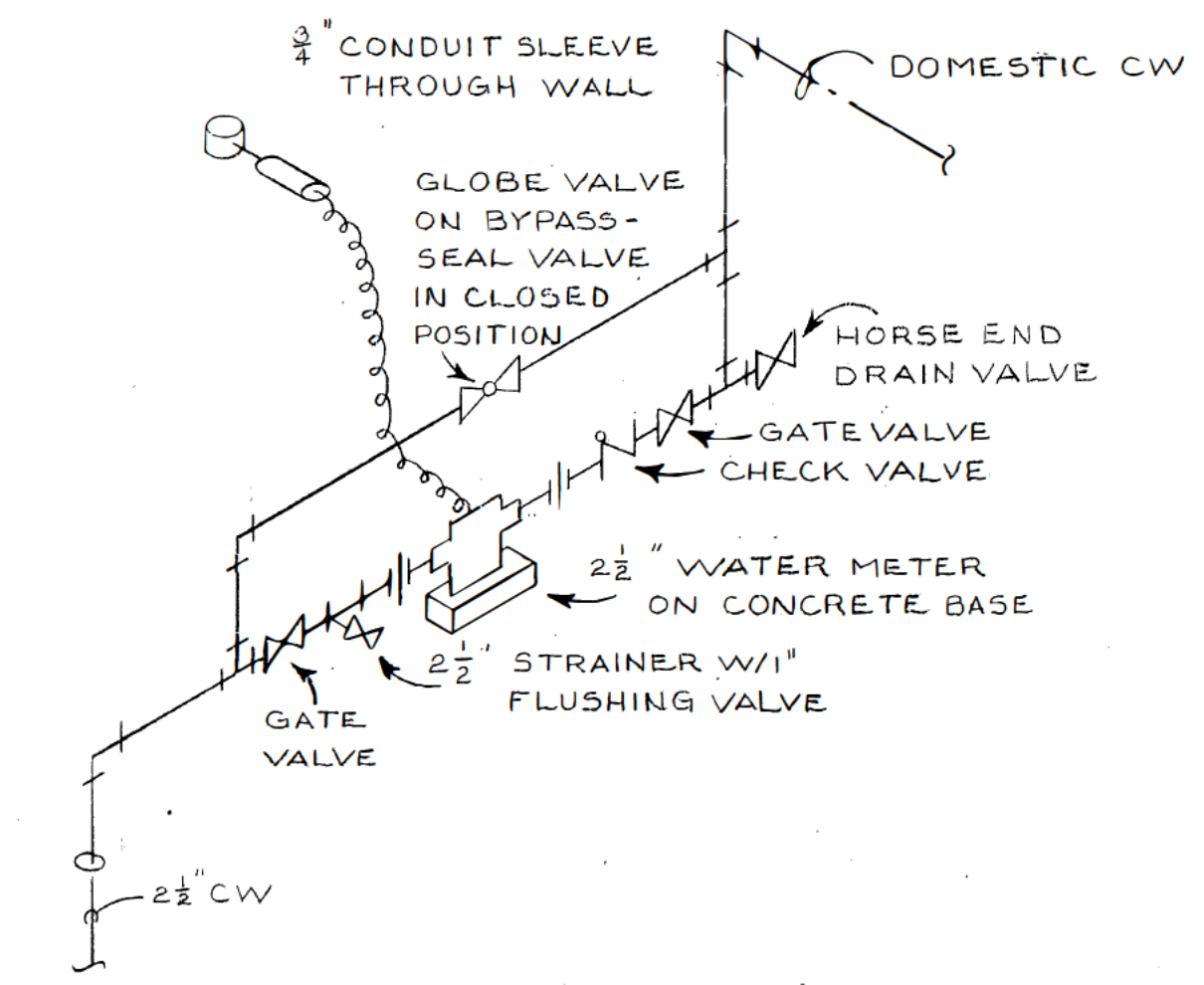
**CHIMNEY / COMBUSTION AIR DETAIL**  
no scale



**ROOF PLAN**



**SUMP PUMP DETAIL**



**WATER METER DETAIL**

NO. 0402			PROJECT TITLE	REVISIONS	SHEET TITLE	SHEET NO.
DATE 6-27-89			[REDACTED]	NO. DATE BY DESCRIPTION	MECHANICAL ROOM PLAN AND DETAILS	M-5
SCALE						
DESIGNED SANDERS						
DRAWN NOWAK						
CHECKED NOWAK					OF SHEETS IN THIS CATEGORY	