

TS-930S/TS-940S Meter LED Upgrade Kit Version 2 Instructions

The TS-940S Power supply upgrade kit was designed to replace the original power supply. This kit is easy to install and should provide years of extended life to your TS-940S, in our opinion one of the best radios ever made by Kenwood.

Unpacking the kit:

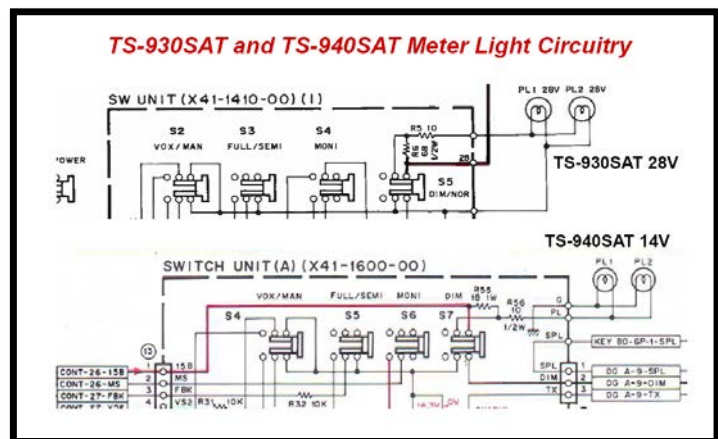
Unpack the kit and make sure that you have the following components:

- Meter upgrade LED board (White or Blue) including:
- LED Board
- Cable assembly
- 2 White grommets
- This Installation Manual



IMPORTANT – Please review our video at k6iok.com before installing this upgrade kit in your radio – URL is: <https://k6iok.com/videos>

Important Note: The TS-930 voltage that operates the meter lights is +28V and the TS-940 voltage is +14 Volts. If you have a TS-940 and are installing this Meter kit, you can use it as supplied with the jumper installed. **But if you are using the kit for a TS-930, you need to simply remove the jumper to limit the LED current to about 20ma.**



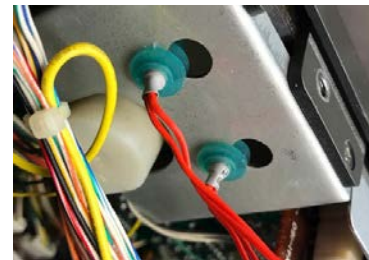
Installing the kit

First, remove the old lights and grommets

To access the original light bulbs, remove the top and bottom covers of the radio. Next, remove the 2 screws that hold the front panel in place. You can then carefully tip the front panel out and access the meter area. Be careful when you tip the front panel out. There are wires that can be stretched or pinched.

Next, remove the existing incandescent light bulbs by pulling them straight out of the green grommet.

The original grommets should not be used with the new LED kit because they were designed to color the original white incandescent bulbs green. So after you remove them, they can be discarded. Replace them with the 2 new white grommets using needle nose pliers.



Next, re-install the new board by simply pressing the LEDs through the new grommets. They hold the new board in nicely. You may have to use a little rocking motion to get the LEDs through the grommet. The lower picture on the right shows whet the installation looks like when it is complete.

Connecting the power

Just below the power switch are the pads to connect the power. Follow the old wires back to this board to understand exactly where to connect the cables. This location is a little different on the TS-930S than the TS-940S. But your will easily be able to find them. Carefully solder the – and + cables accordingly. Then, plug the supplied cable into the board. The 2 pin



connector is keyed so please make sure you have the connector in the right direction.

And remember that the TS-930S requires the addition of a 1k resistor in series with its power line.

That is it! Tip the front panel back in place making sure that there is no possibility of shorting any components to ground. Time to test the new meter lights by turning on the power.

Caution! – The top of the power switch contains line voltages when the radio is off or on. Some of the TS-940 models have the top covered but on many TS-930S models, these terminals are fully exposed.

