

CAST WITH LOVEN 4000PSI PUMP MIX CONCRETE

MOLDED FACE MADE FROM GRANDFATHER MOUNTAIN FIELDSTONE

WEIGHT ESTIMATES  
 32" BASE=2,100LBS  
 32" STACK=2,000LBS  
 32" CAP=1,500LBS  
 42" BASE=2,550LBS  
 42" STACK=2,500LBS

Revision #: 0

Scale:

Landscape Plan: 001

Landscape Design by: Aaron Autrey

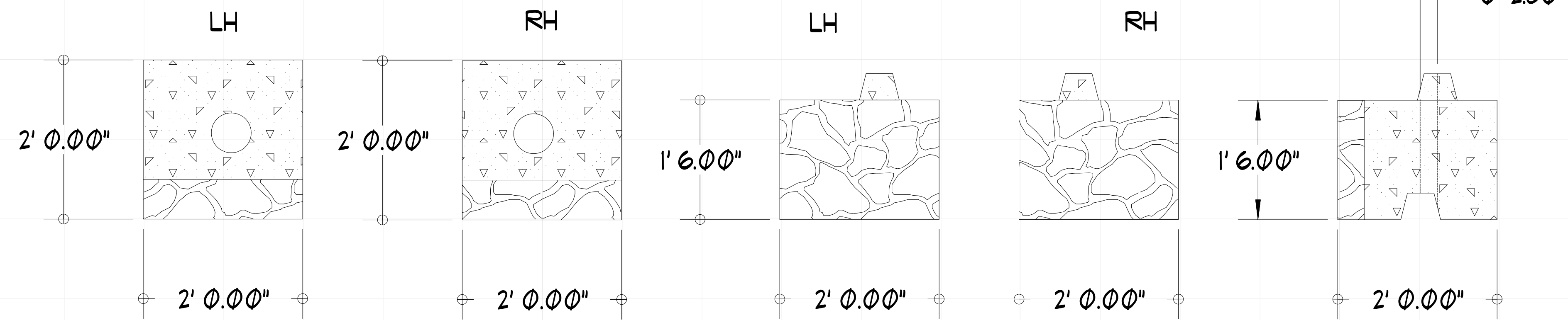
Date: 7/3/2023

1" = 1'

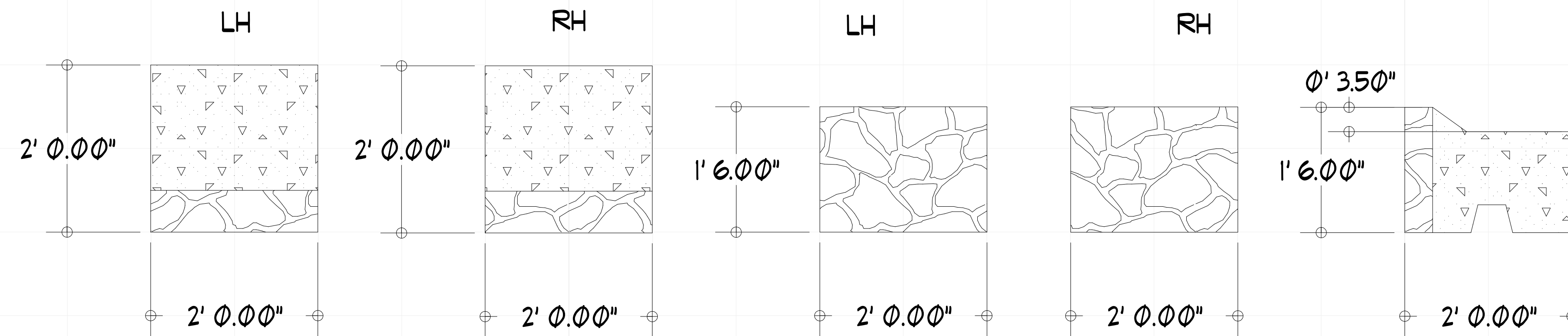
Lock Rock

Loven Casting

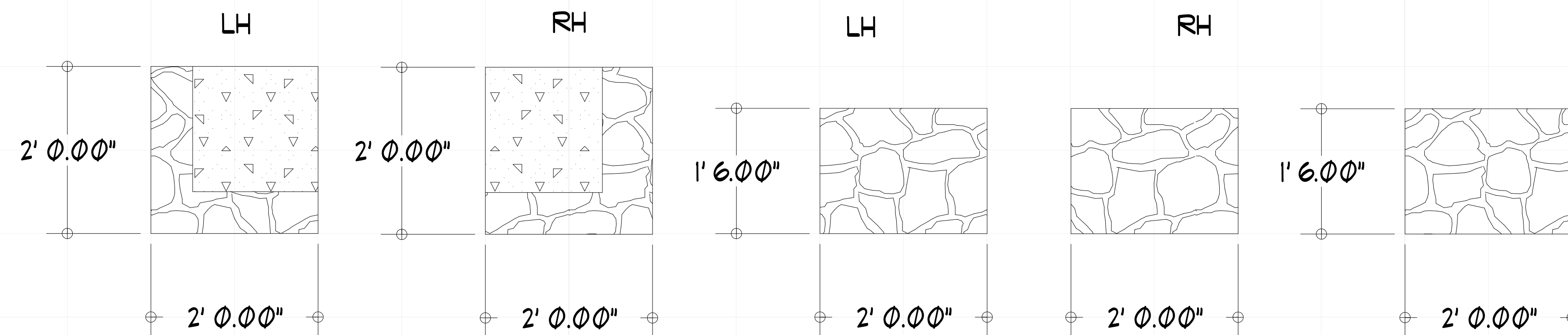
LOCK ROCK 24" HALF STACK



LOCK ROCK 24" HALF CAP



LOCK ROCK 24" CORNER CAP



CAST WITH LOVEN 4000PSI PUMP MIX CONCRETE

MOLDED FACE MADE FROM GRANDFATHER MOUNTAIN FIELDSTONE

WEIGHT ESTIMATES

24" HALF STACK=600LBS

24" HALF CAP=500LBS

24" CORNER CAP=500LBS

Revision #: 0

Scale:

Landscape Plan: 001

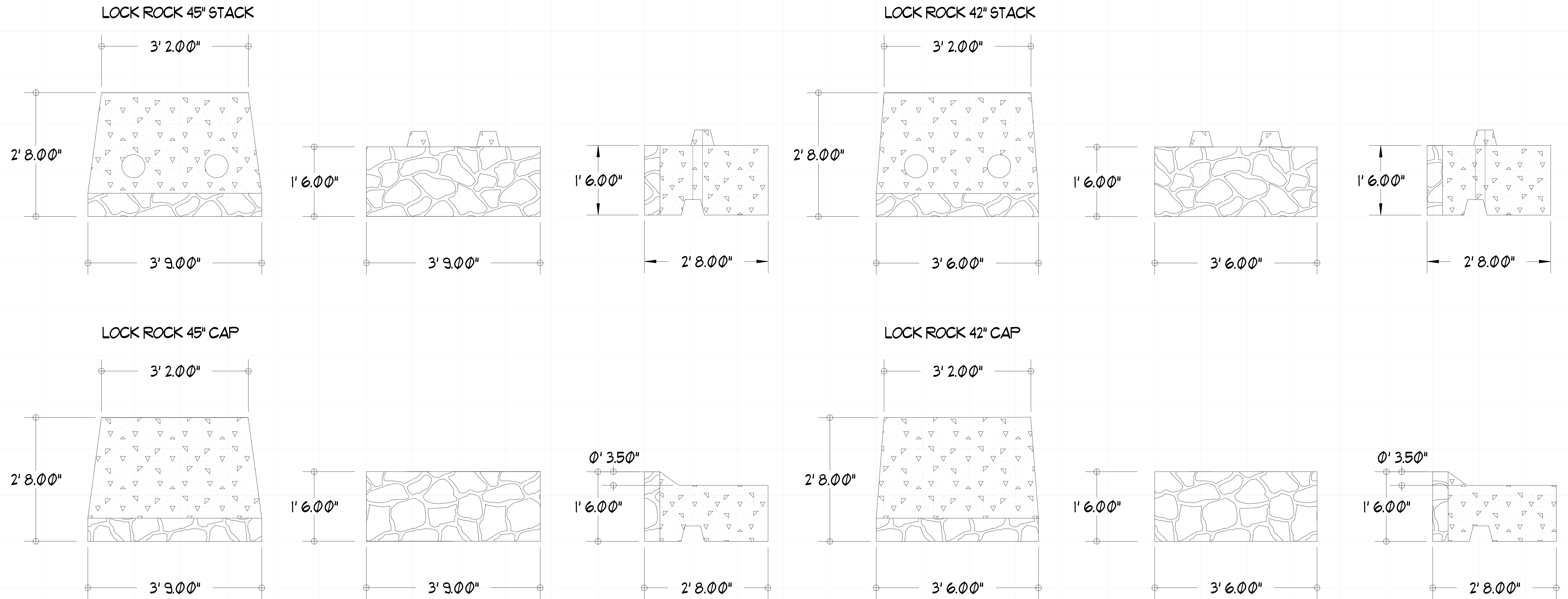
Landscape Design by: Aaron Autrey

Date: 7/6/2023

1" = 1'

Lock Rock

Loven Casting



CAST WITH LOVEN 4000PSI PUMP MIX CONCRETE

MOLDED FACE MADE FROM GRANDFATHER MOUNTAIN FIELDSTONE

WEIGHT ESTIMATES  
 45" STACK=1,950LBS  
 45" CAP=1,850LBS  
 42" STACK=1,900LBS  
 42" CAP=1,800LBS

Revision #: 0

Scale:

Landscape Plan: 001

Landscape Design by: Aaron Autrey

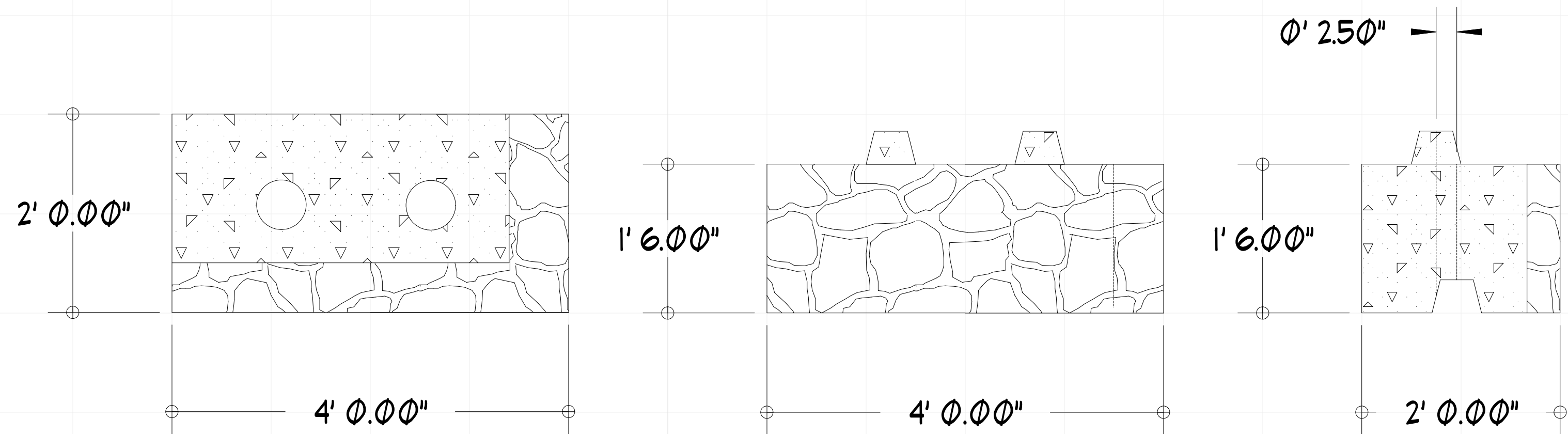
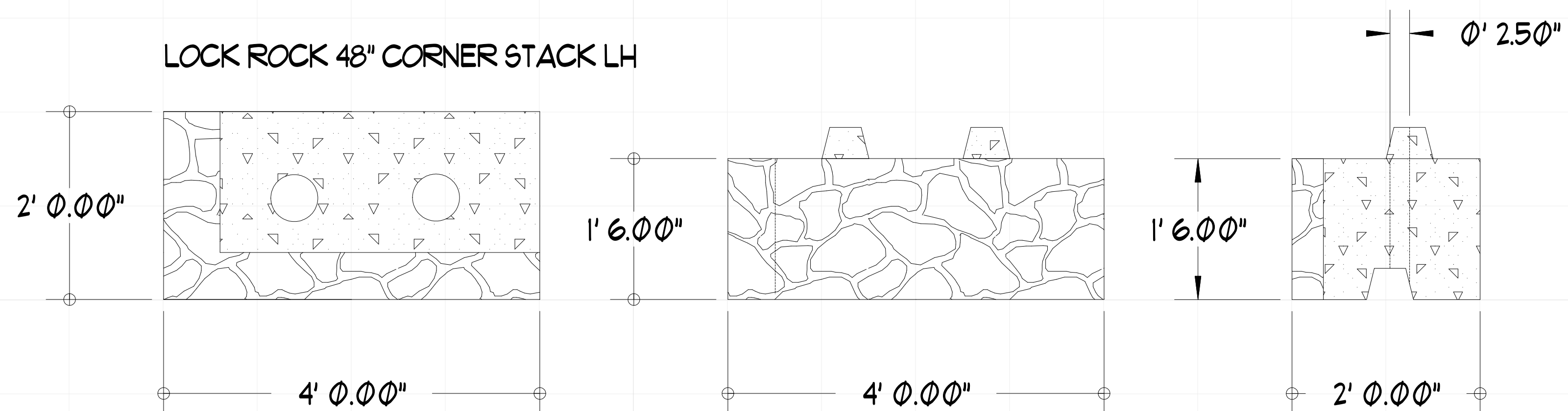
Date: 7/7/2023

1" = 1'

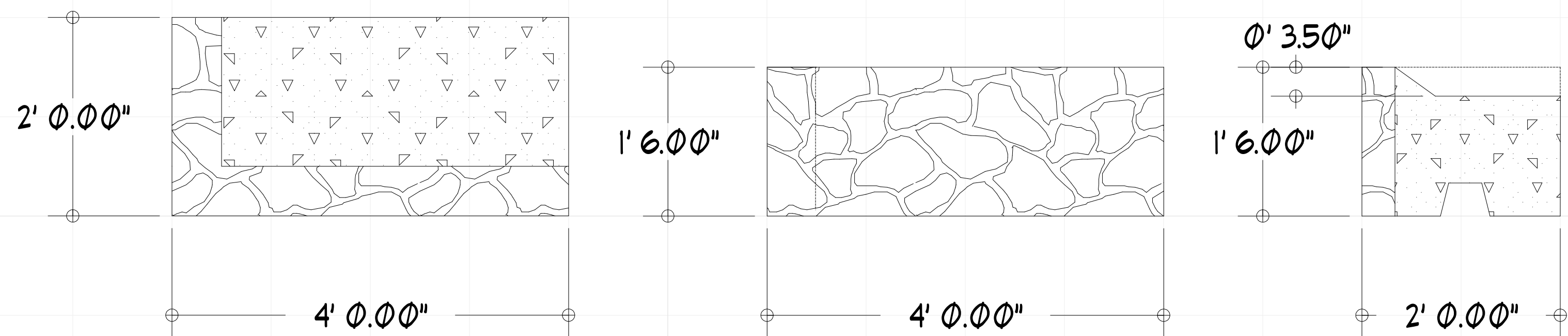
Lock Rock

Loven Casting

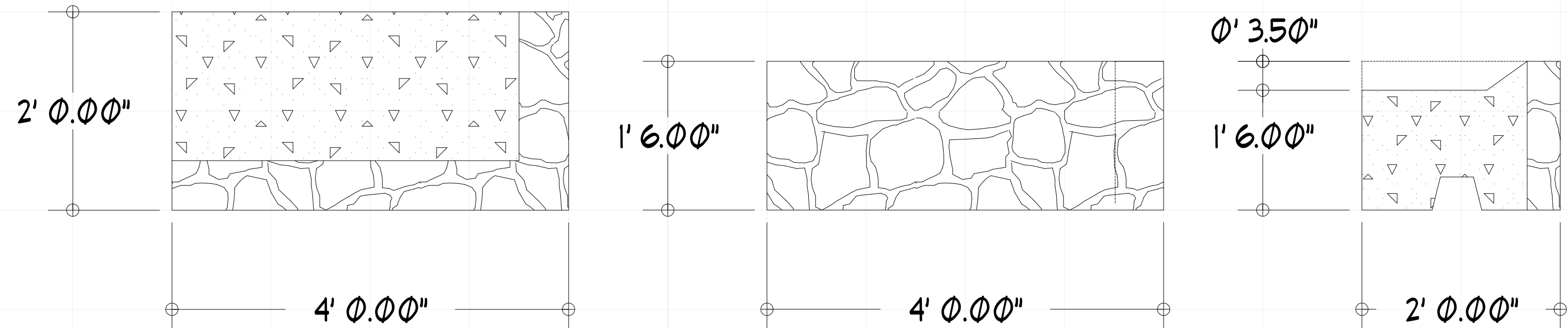
LOCK ROCK 48" CORNER STACK LH



LOCK ROCK 48" CORNER CAP LH



LOCK ROCK 48" CORNER CAP RH



CAST WITH LOVEN 4000PSI PUMP MIX CONCRETE

MOLDED FACE MADE FROM GRANDFATHER MOUNTAIN FIELDSTONE

WEIGHT ESTIMATES

48" LH CORNER STACK=1,150LBS

48" RH CORNER STACK=1,150LBS

48" LH CORNER CAP=1,050LBS

48" RH CORNER CAP=1,050LBS

Revision #: 0

Scale:

Landscape Plan: 001

Landscape Design by: Aaron Autrey

Date: 7/7/2023

1" = 1'

Lock Rock

Loven Casting