

Base-Flange Tower (9.8" OD)



Product Summary

EasyStreet Systems provides a game-changing solution to 5G/small cell infrastructure demands—at a fraction of current construction methods.

Imagine a tower that can be installed by two people, can blend with the surrounding aesthetic and can be installed in a few hours. Our product is light-weight, customizable and impacts the environment much less than traditional solutions. A 30' EasyStreet 9.8" Outer Diameter (OD) tower weighs ~210 lbs. as opposed to ~2,000 lbs for existing steel towers, cutting installation costs significantly.

Specifications

| | |
|------------------------|---|
| Applications: | 4G/5G Small-Cell as well as Internet of Things (IoT) sites |
| Height Ranges: | 20' to 40' typical but can be lower |
| Weight (Lbs.): | 20'H: 150; 25'H: 180; 30'H: 210; 35'H: 240; 40'H: 270 |
| Outer Diameter: | 9.8" Standard OD (9.25" ID), ~12.4" with decorative wrap |
| Base Flange: | 12"W x 12"D x 1.5"H 4x corner-mounts (3/4" or 1" bolts, 11.6" to 14.0" mounting circle) |
| Cable-Access: | 5"H x 2.5"W handhole with secure cover 14" above grade |
| Colors: | Gray, Black, Brown & Dark Green standard (custom available) |
| Construction: | Patented composite structure with reinforced UV-resistant coating. Decorative foam-wrap features available with fluting, historic-designs, etc. |
| Equipment: | Accommodates all Small Cell, Microwave and IoT equipment |
| Wind Speeds: | Up to 180 mph (depending on loading) |
| Structural: | Analysis per TIA-222, AASHTO and local building codes |
| Electrical: | Bottom hand-hole available for routing power, fiber & data cables. |

Contact us at:

EasyStreet Systems, Inc.
6021 E. Mansfield Ave.
Spokane, WA 99212
easystreetsystems.com



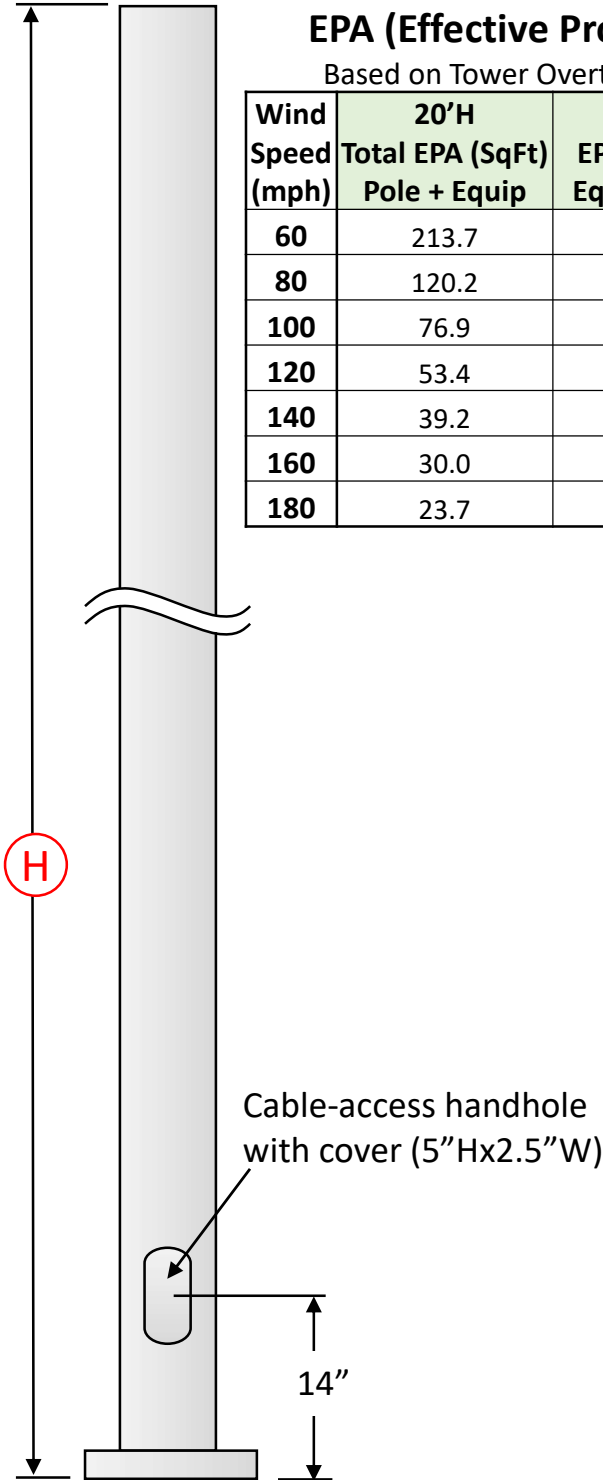
Hurricane resistant composite-based round pole

| <u>Height (H)</u> | <u>Diameter (in Inches)</u> | <u>Standard Colors</u> | <u>Customer Options</u> |
|----------------------------|-----------------------------|------------------------|-------------------------|
| 20: 20 Ft | 098: 9.8" | G: Gray | Cylinder or Fluted |
| 30: 30 Ft | | B: Black | Various light-mounts, |
| 40: 40 Ft | | N: Brown | luminaires, toppers, |
| Custom Heights up to 40 Ft | | R: Green | IoT equipment, etc. |

EPA (Effective Projected Area) Capacities for 20', 30', 40'H Towers

Based on Tower Overturning-Moment (OM) Load Capacity of 20,000 Ft-Lbs (20 Kip-Ft)

| Wind Speed (mph) | 20'H | | 30'H | | 40'H | |
|------------------|-------------------------------|-----------------------|-------------------------------|-----------------------|-------------------------------|-----------------------|
| | Total EPA (SqFt) Pole + Equip | EPA (SqFt) Equip Only | Total EPA (SqFt) Pole + Equip | EPA (SqFt) Equip Only | Total EPA (SqFt) Pole + Equip | EPA (SqFt) Equip Only |
| 60 | 213.7 | 202.8 | 142.5 | 126.1 | 106.8 | 85.1 |
| 80 | 120.2 | 109.3 | 80.1 | 63.8 | 60.1 | 38.3 |
| 100 | 76.9 | 66.0 | 51.3 | 35.0 | 38.5 | 16.7 |
| 120 | 53.4 | 42.5 | 35.6 | 19.3 | 26.7 | 4.9 |
| 140 | 39.2 | 28.4 | 26.2 | 9.8 | Not Usable | Not Usable |
| 160 | 30.0 | 19.2 | 20.0 | 3.7 | Not Usable | Not Usable |
| 180 | 23.7 | 12.9 | Not Usable | Not Usable | Not Usable | Not Usable |



Base Flange Mounting Pattern

(Adapters Available upon request)

