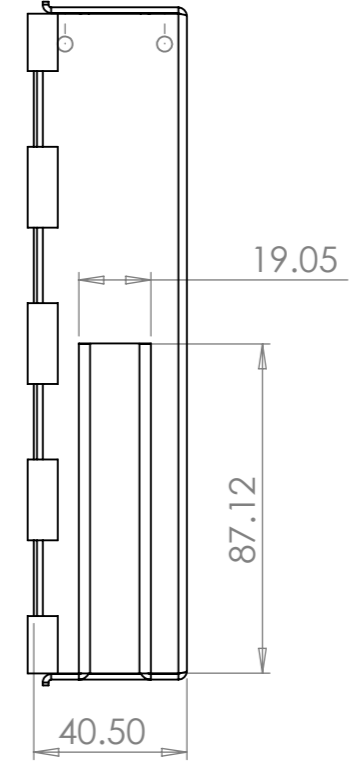
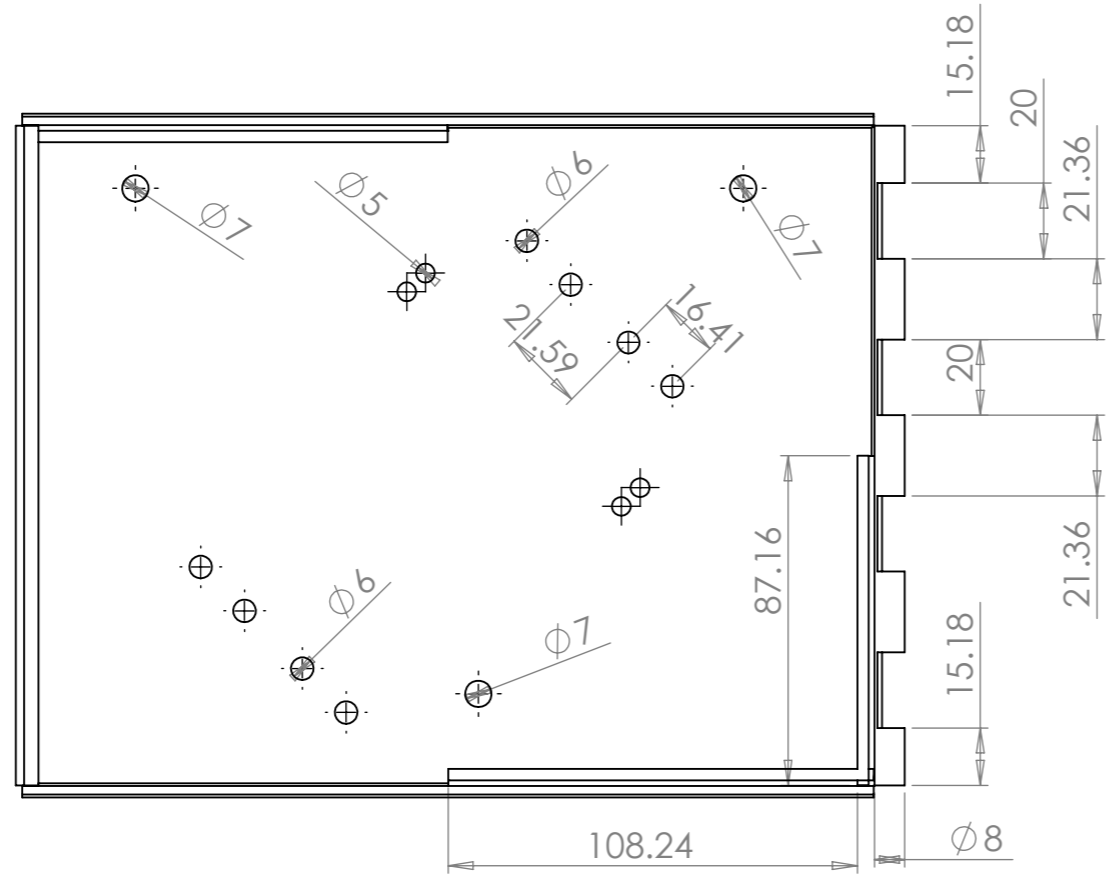
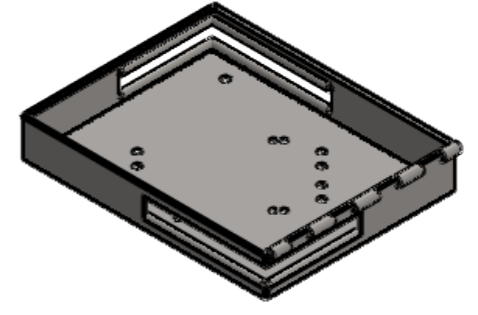
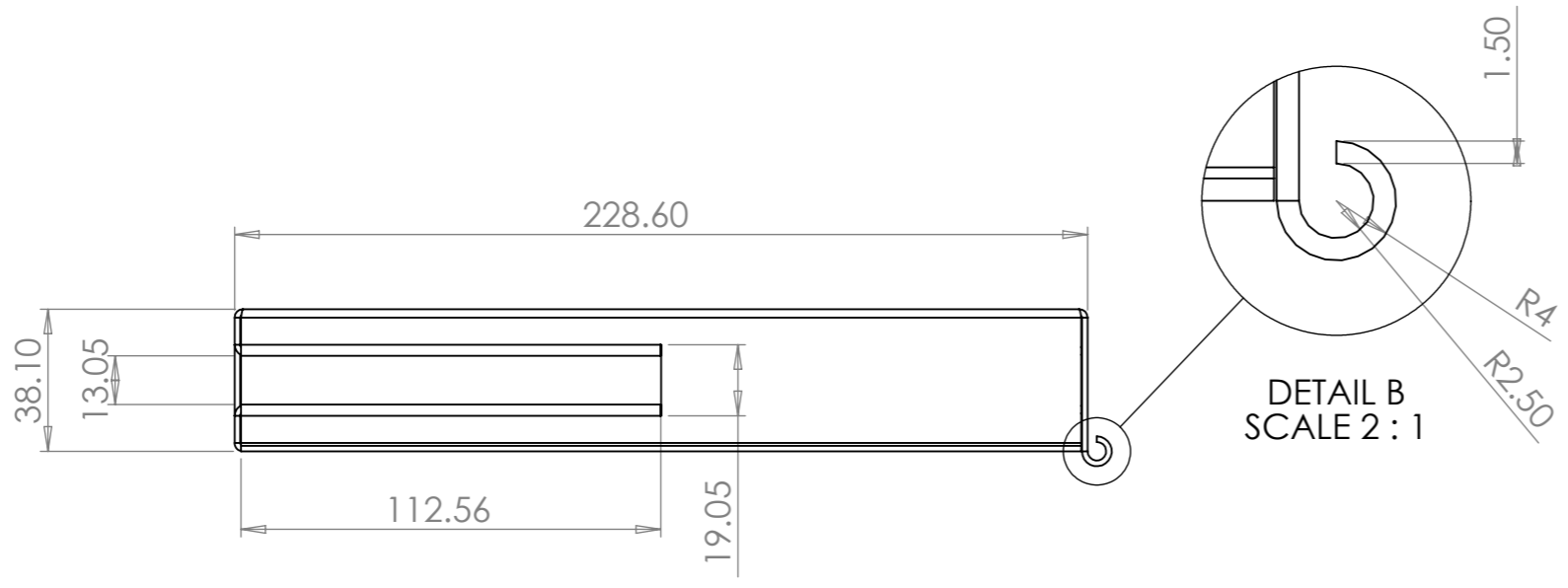


ITEM NO.	PART NUMBER	QTY.	Material	Weight
1	body of the box	1	AISI 304	869.89
2	holder	4	AISI 304	18.95
3	roller	2	PVC Rigid	57.72
4	lid	1	AISI 304	566.82
5	solenoid holder	2	AISI 304	11.82
6	blade	1	AISI 304	17.85
7	pin	1	AISI 304	4.91
8	spring	1	Alloy Steel	2.05

UNLESS OTHERWISE SPECIFIED: DIMENSIONS ARE IN MILLIMETERS SURFACE FINISH: TOLERANCES: LINEAR: ANGULAR:			FINISH:		DEBURR AND BREAK SHARP EDGES		DO NOT SCALE DRAWING		REVISION		
DRAWN			NAME		SIGNATURE		DATE		TITLE:		
CHK'D											
APPV'D											
MFG											
Q.A									MATERIAL:		DWG NO.
									assembly of the box		A3
									WEIGHT: 1676.40		SCALE:1:2
											SHEET 1 OF 13



The body of the box

flat drawing of the body of the box

