



All dimensions and size designations must be verified on the site to fit job conditions. Client accepts these drawings as is and can use them on its own risk.



Design drawings are provided for the fair use by the client or his agent in completing the project as listed within this contract.

Designed:07.19.24
Printed:07.19.24



LOWER KITCHEN



LOWER BAR



All dimensions and size designations must be verified on the site to fit job conditions. Client accepts these drawings as is and can use them on its own risk.



Design drawings are provided for the fair use by the client or his agent in completing the project as listed within this contract.

Designed:07.19.24
Printed:07.19.24

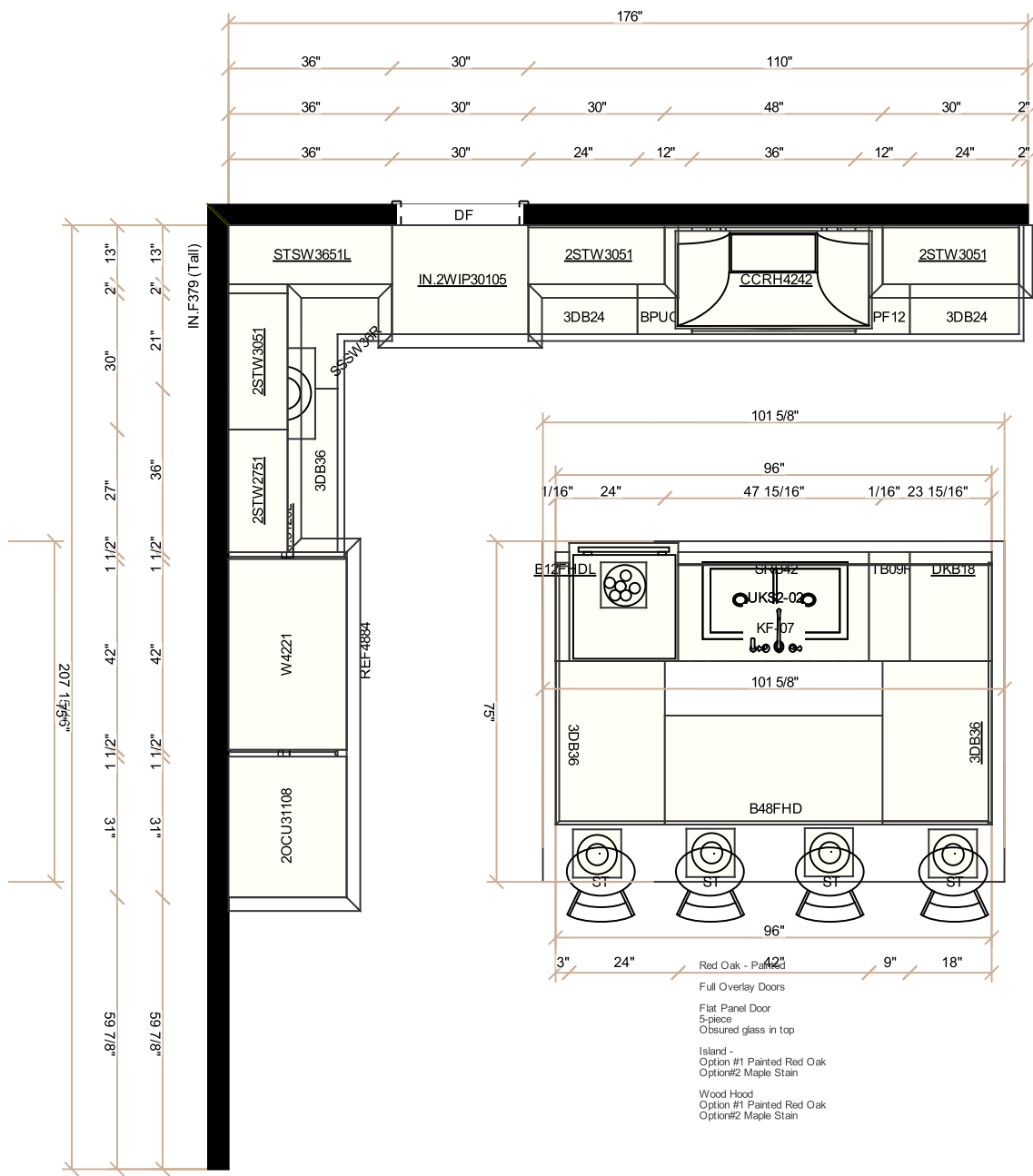


All dimensions and size designations must be verified on the site to fit job conditions. Client accepts these drawings as is and can use them on its own risk.



Design drawings are provided for the fair use by the client or his agent in completing the project as listed within this contract.

Designed:07.19.24
Printed:07.19.24



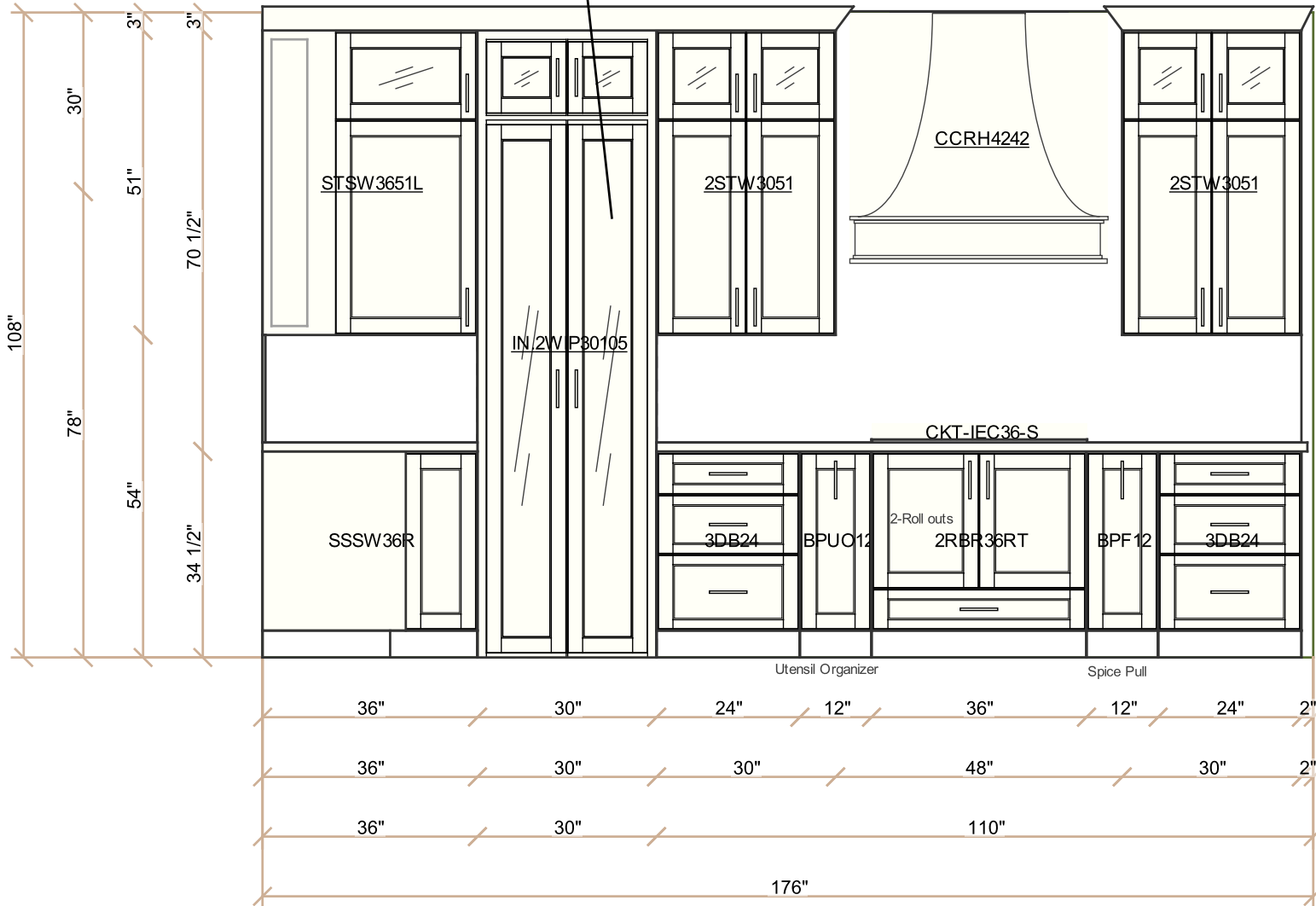
All dimensions and size designations must be verified on the site to fit job conditions. Client accepts these drawings as is and can use them on its own risk.



Design drawings are provided for the fair use by the client or his agent in completing the project as listed within this contract.

Designed:07.19.24
Printed:07.19.24

Hidden Pantry Doors
Obscured Glass in doors TBD
Swing in

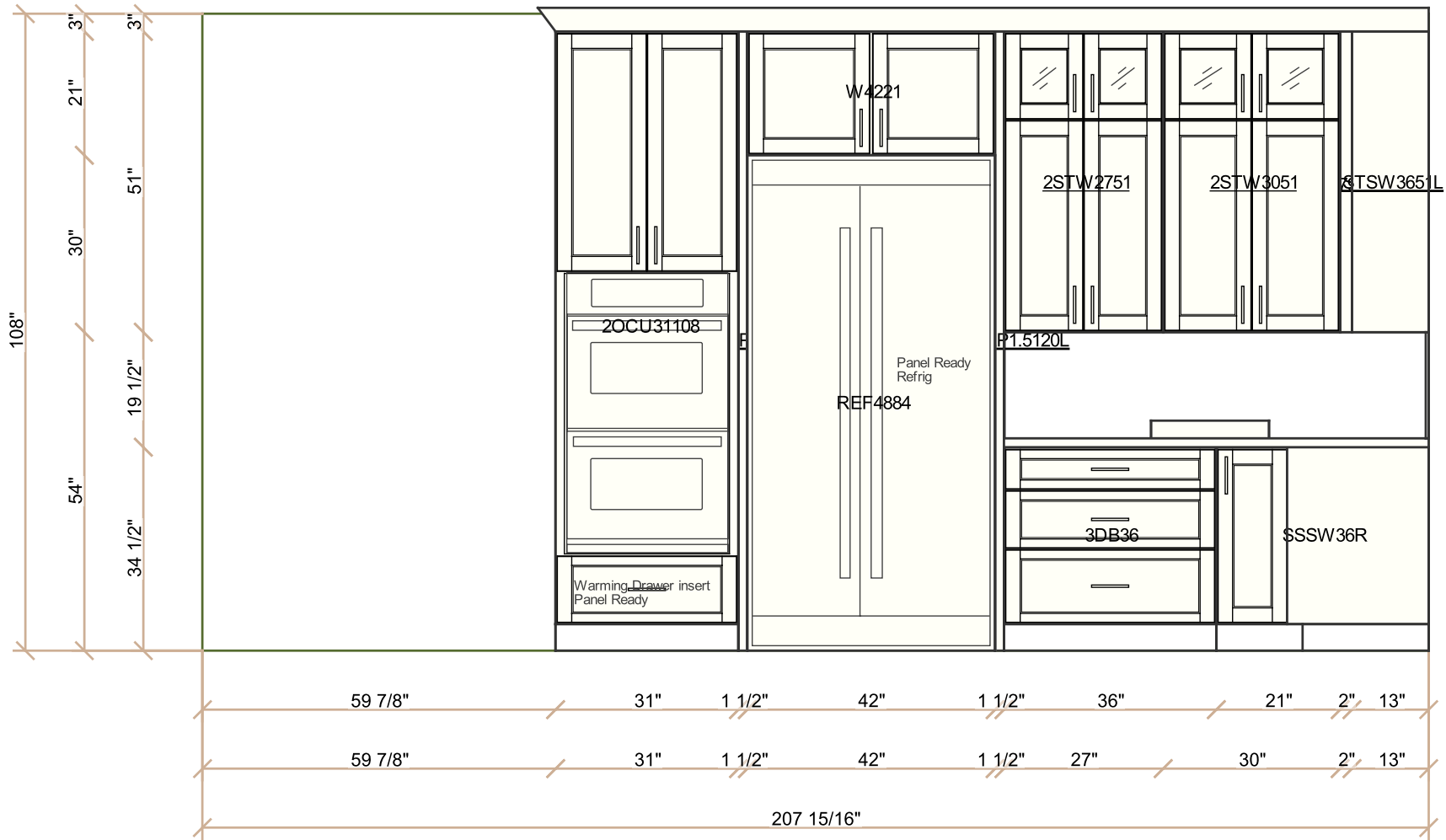


All dimensions and size designations must be verified on the site to fit job conditions. Client accepts these drawings as is and can use them on its own risk.



Design drawings are provided for the fair use by the client or his agent in completing the project as listed within this contract

Designed:07.19.24
Printed:07.19.24

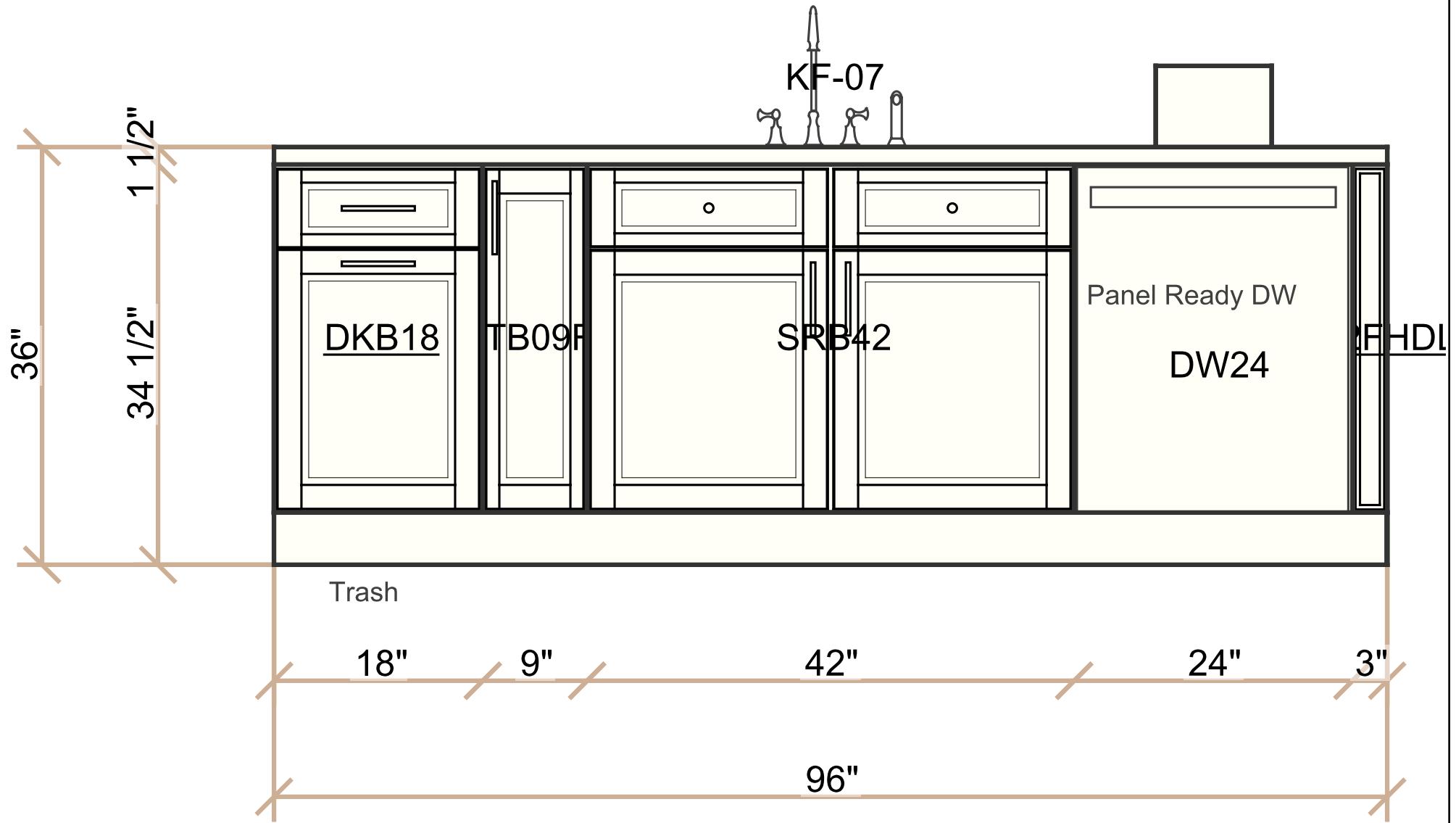


All dimensions and size designations must be verified on the site to fit job conditions. Client accepts these drawings as is and can use them on its own risk.



Design drawings are provided for the fair use by the client or his agent in completing the project as listed within this contract.

Designed:07.19.24
Printed:07.19.24

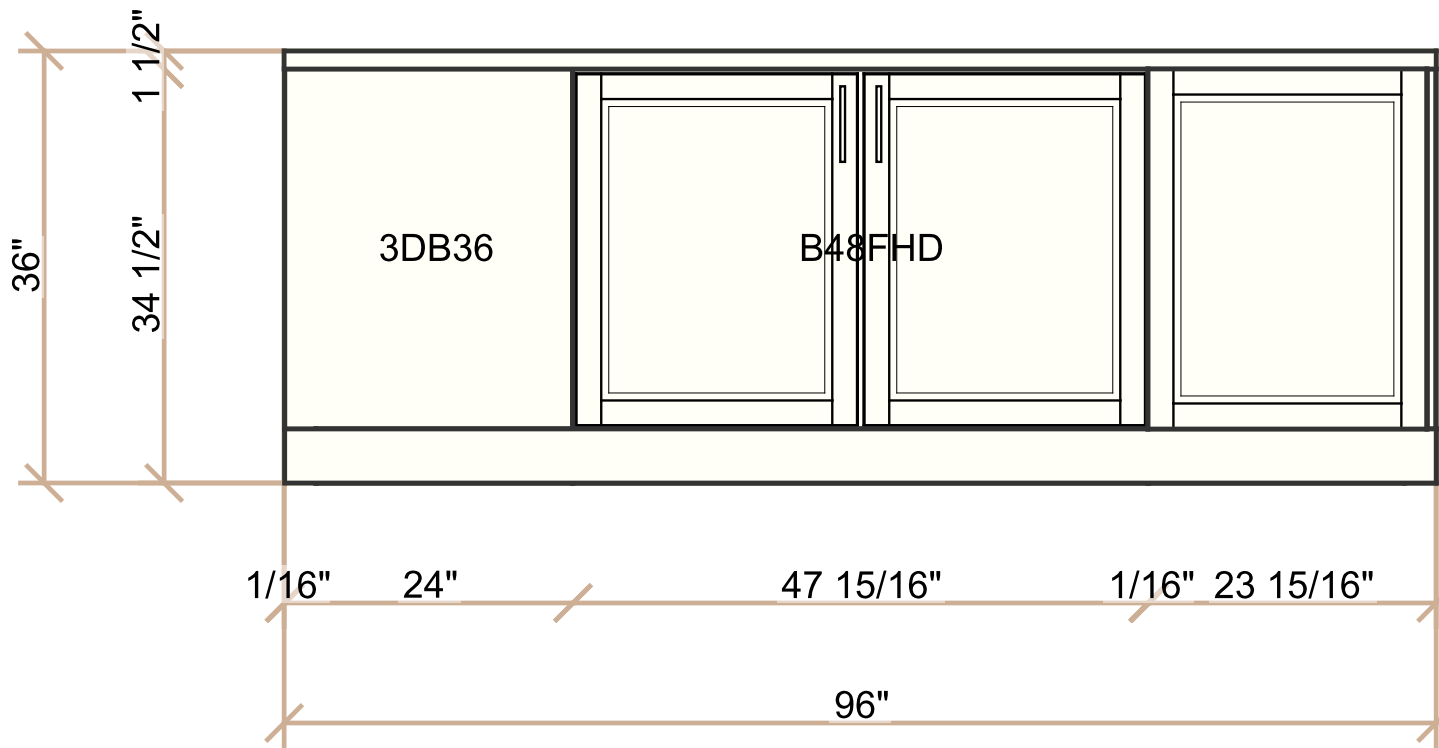


All dimensions and size designations must be verified on the site to fit job conditions. Client accepts these drawings as is and can use them on its own risk.



Design drawings are provided for the fair use by the client or his agent in completing the project as listed within this contract.

Designed:07.19.24
Printed:07.19.24



All dimensions and size designations must be verified on the site to fit job conditions. Client accepts these drawings as is and can use them on its own risk.



Design drawings are provided for the fair use by the client or his agent in completing the project as listed within this contract.

Designed:07.19.24
Printed:07.19.24



BAILEY HARDWOODS, INC.

628 KIMBLE CT
SPRINGFIELD, IL 62703
+1 2175296800
office@baileyhardwoods.com
www.baileyhardwoods.com

Estimate

ADDRESS

Catherine Wilhelm
Robin Fuchs
Harbour Point

SHIP TO

Catherine Wilhelm
Robin Fuchs

ESTIMATE # 3656

DATE 07/18/2024

DESCRIPTION	QTY	RATE	AMOUNT
Custom Cabinetry Full Overlay Doors All plywood no particle All solid wood doors and faceframes Flat Panel Door style To be Determined 5-Piece Drawer Fronts Painted - Red Oak Any Sherwinn Williams or Ben Moore Color Stain - Custom to be determined If used Solid Hardwood dovetailed drawer boxes Soft Close Doors and Drawers Quote based on Design provided Field measure required			
Kitchen Perimeter - Red Oak-Painted color TBD Features Include: Curved Chimney Range Hood Spice Pull Utensil Organizer Pull Cook top base with Reversed face frame - 2-Roll outs All Drawer cabinets on Base Hidden Pantry doors with Obscured glass Garbage with 2-35qt Cans 51" tall Stacked wall Single unit with Obscured glass in top	1	25,980.00	25,980.00T
Island Red Oak Painted OR Hard Maple Stained	1	5,868.00	5,868.00T
Lower Kitchen - Stock Cabinetry - Shaker White (Option-Custom \$6,232.00)	1	3,262.00	3,262.00T
Lower Bar - Stock Cabinetry-Shaker White (Option Custom \$7,565.00 - Painted)	1	4,280.00	4,280.00T
Master Bath - Full Custom	1	3,974.00	3,974.00T
Upper Bath - Full Custom	1	2,938.00	2,938.00T
Lower Bath - Stock Cabinetry (Option - Custom \$2938.00)	1	2,099.00	2,099.00T

Thank you for your business and have a great day!

DESCRIPTION

QTY

RATE

AMOUNT

This price does not include:

- 1.) Countertops
- 2.) Installation
- 3.) Handles/pulls Kitchen Perimeter-

Stair parts are non-returnable. Items made or ordered are specific for each job, therefore cannot be returned.

SUBTOTAL	48,401.00
TAX	3,509.07
TOTAL	\$51,910.07

All debit/credit card transactions will have a 3% convenience fee added to the total of each transaction.

Accepted By

Accepted Date