



All dimensions and size designations must be verified on the site to fit job conditions. Client accepts these drawings as is and can use them on its own risk.



Design drawings are provided for the fair use by the client or his agent in completing the project as listed within this contract.

Designed:07.19.24
Printed:07.19.24



LOWER KITCHEN



LOWER BAR



All dimensions and size designations must be verified on the site to fit job conditions. Client accepts these drawings as is and can use them on its own risk.



Design drawings are provided for the fair use by the client or his agent in completing the project as listed within this contract.

Designed:07.19.24
Printed:07.19.24

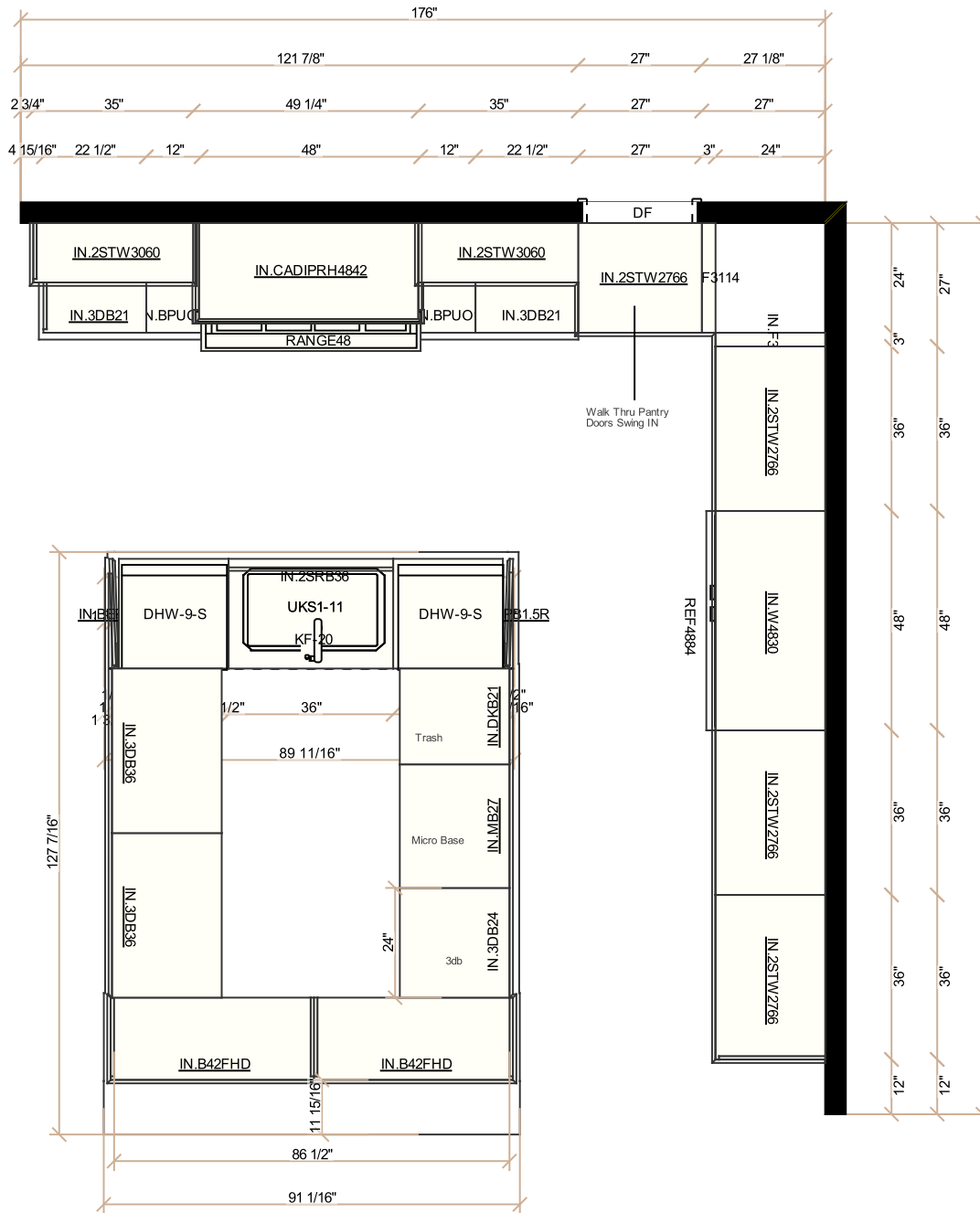


All dimensions and size designations must be verified on the site to fit job conditions. Client accepts these drawings as is and can use them on its own risk.



Design drawings are provided for the fair use by the client or his agent in completing the project as listed within this contract.

Designed:07.19.24
Printed:07.19.24



Job: Wallace - Right Side- Harbour Pointe

INSET

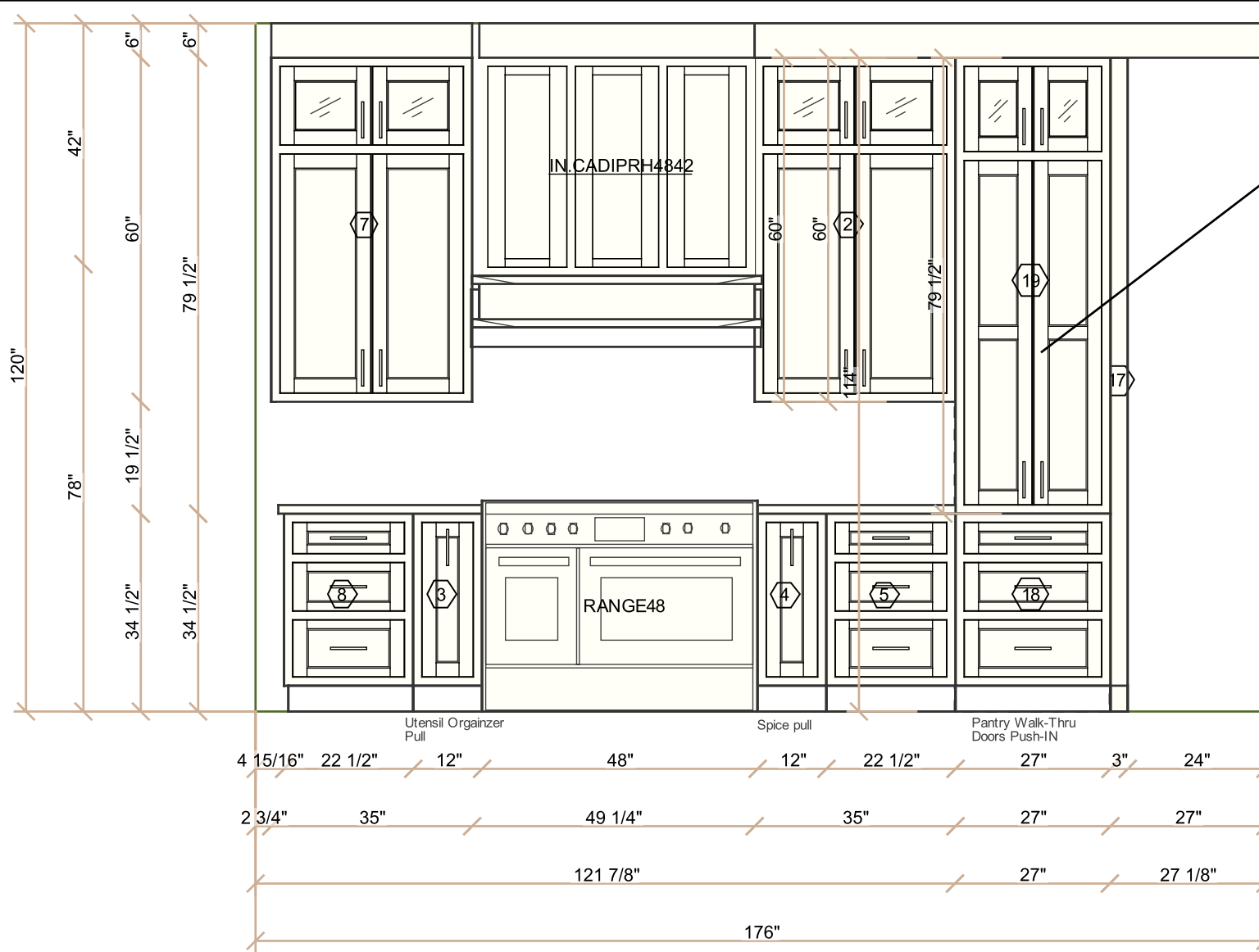
RP's on All Show Ends

All dimensions and size designations must be verified on the site to fit job conditions Client accepts these drawings as is and can use them on its own risk.



Design drawings are provided for the fair use by the client or his agent in completing the project as listed within this contract

Designed:07.19.24
Printed:07.19.24

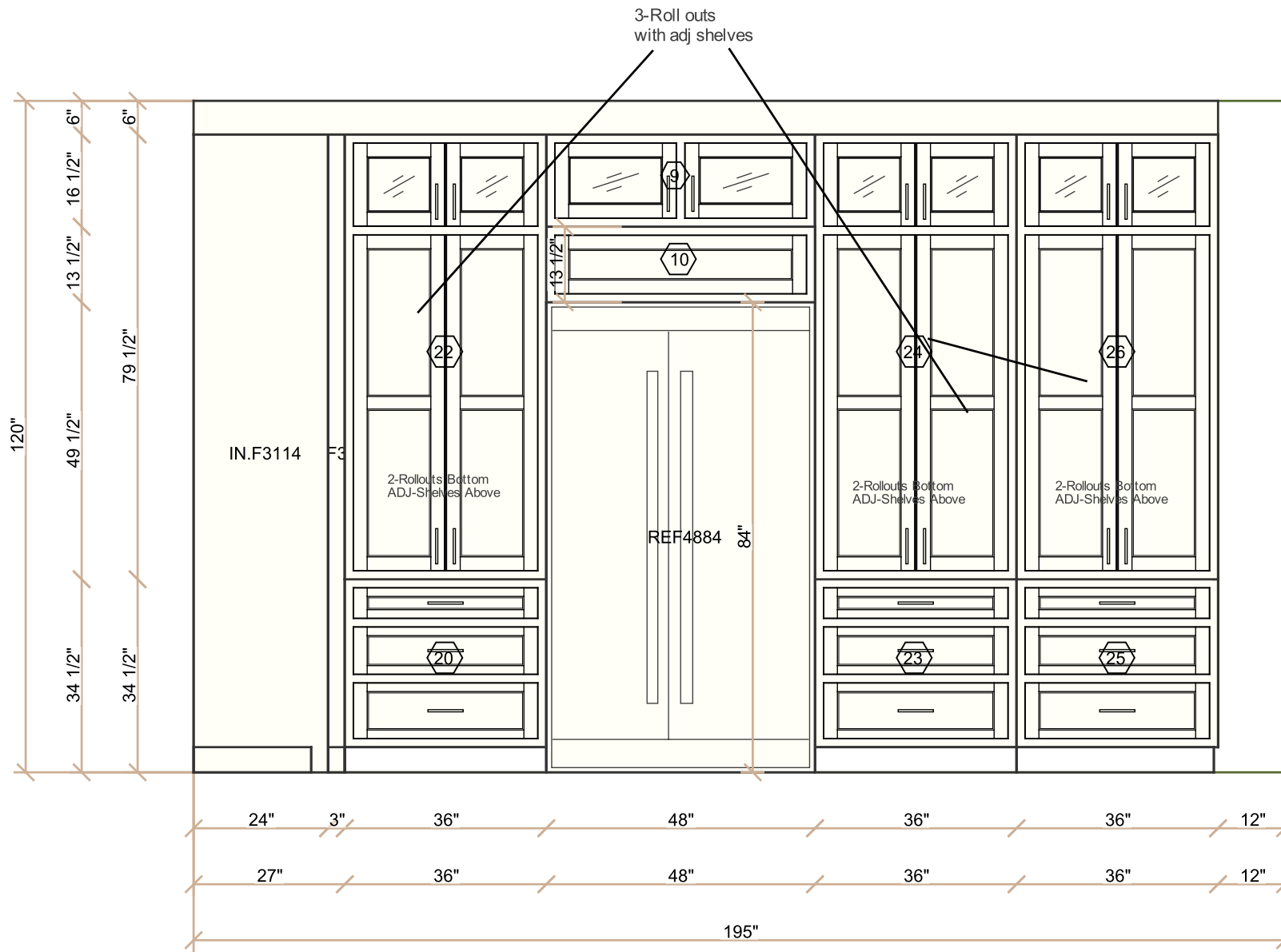


All dimensions and size designations must be verified on the site to fit job conditions. Client accepts these drawings as is and can use them on its own risk.



Design drawings are provided for the fair use by the client or his agent in completing the project as listed within this contract

Designed:07.19.24
Printed:07.19.24

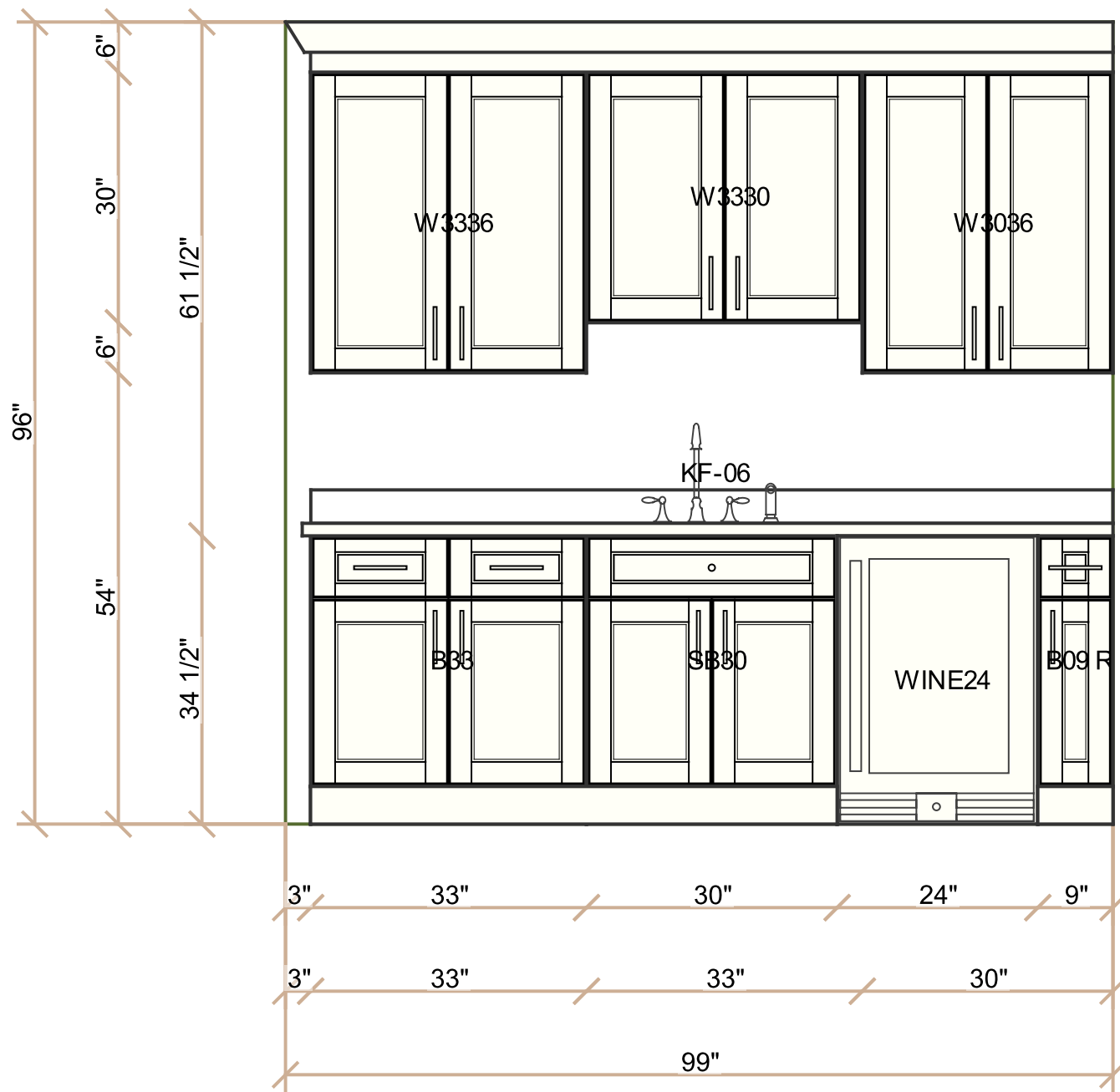


All dimensions and size designations must be verified on the site to fit job conditions Client accepts these drawings as is and can use them on its own risk.



Design drawings are provided for the fair use by the client or his agent in completing the project as listed within this contract

Designed:07.19.24
Printed:07.19.24

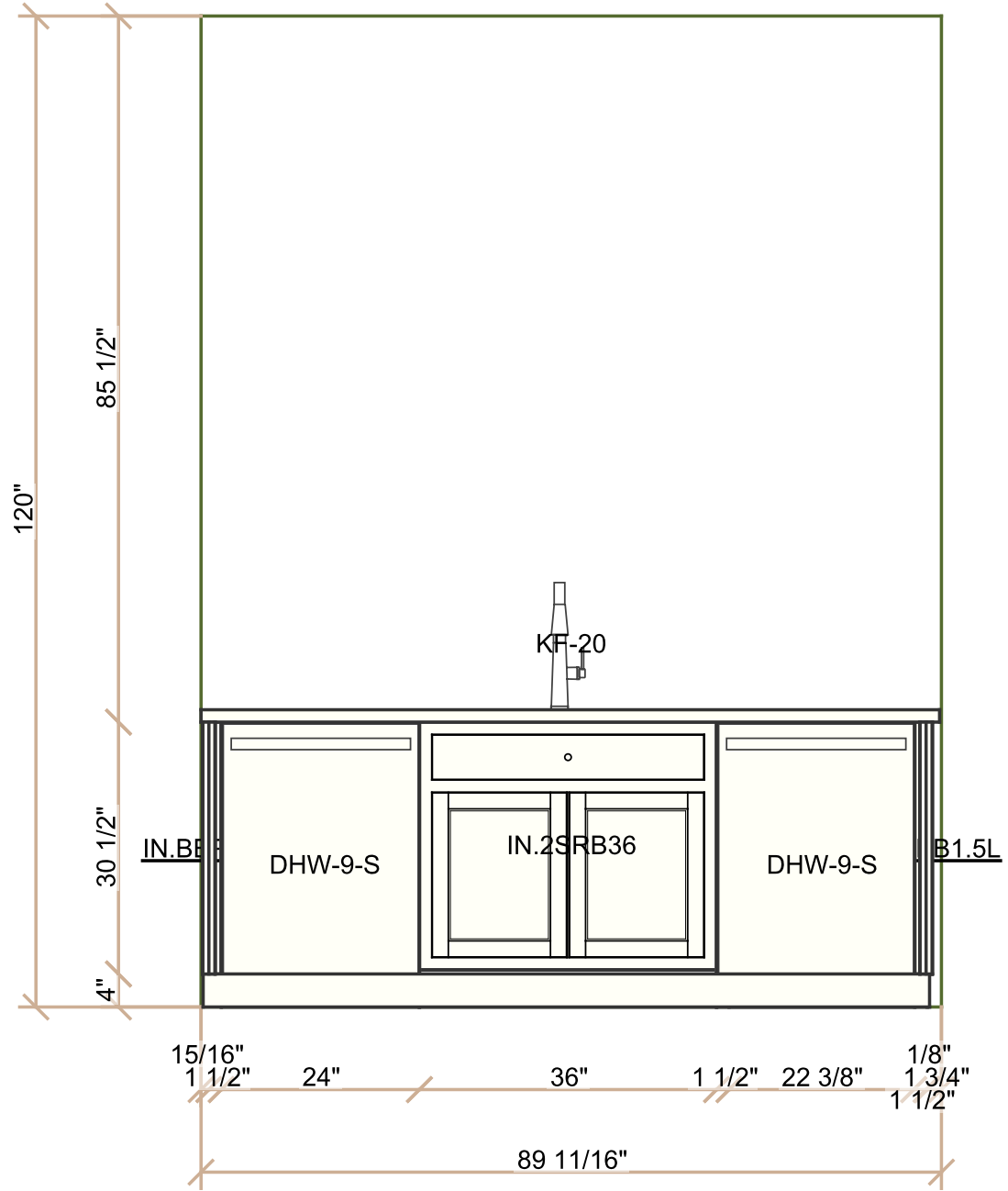


All dimensions and size designations must be verified on the site to fit job conditions. Client accepts these drawings as is and can use them on its own risk.



Design drawings are provided for the fair use by the client or his agent in completing the project as listed within this contract.

Designed:07.19.24
Printed:07.19.24

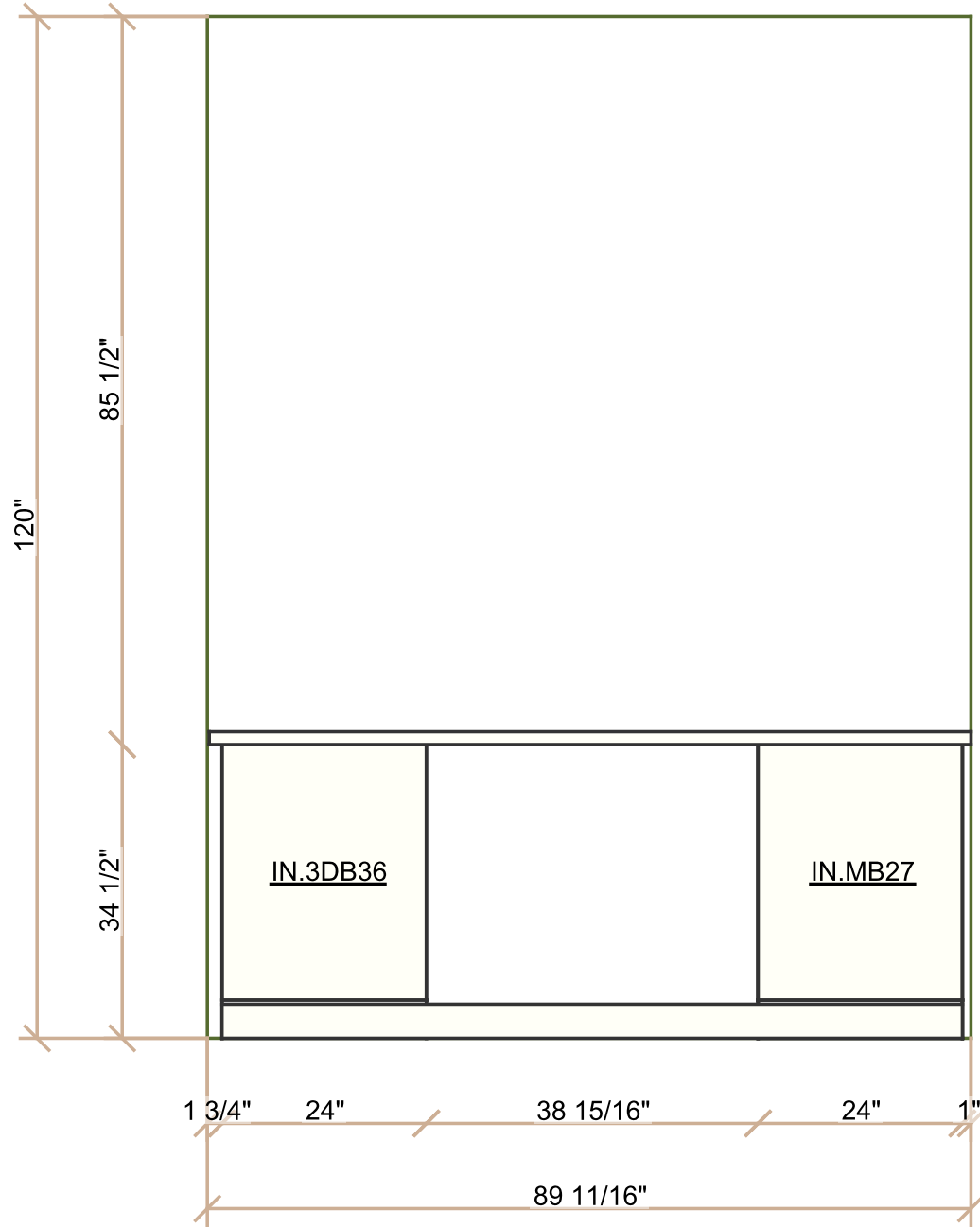


All dimensions and size designations must be verified on the site to fit job conditions. Client accepts these drawings as is and can use them on its own risk.



Design drawings are provided for the fair use by the client or his agent in completing the project as listed within this contract.

Designed:07.19.24
Printed:07.19.24

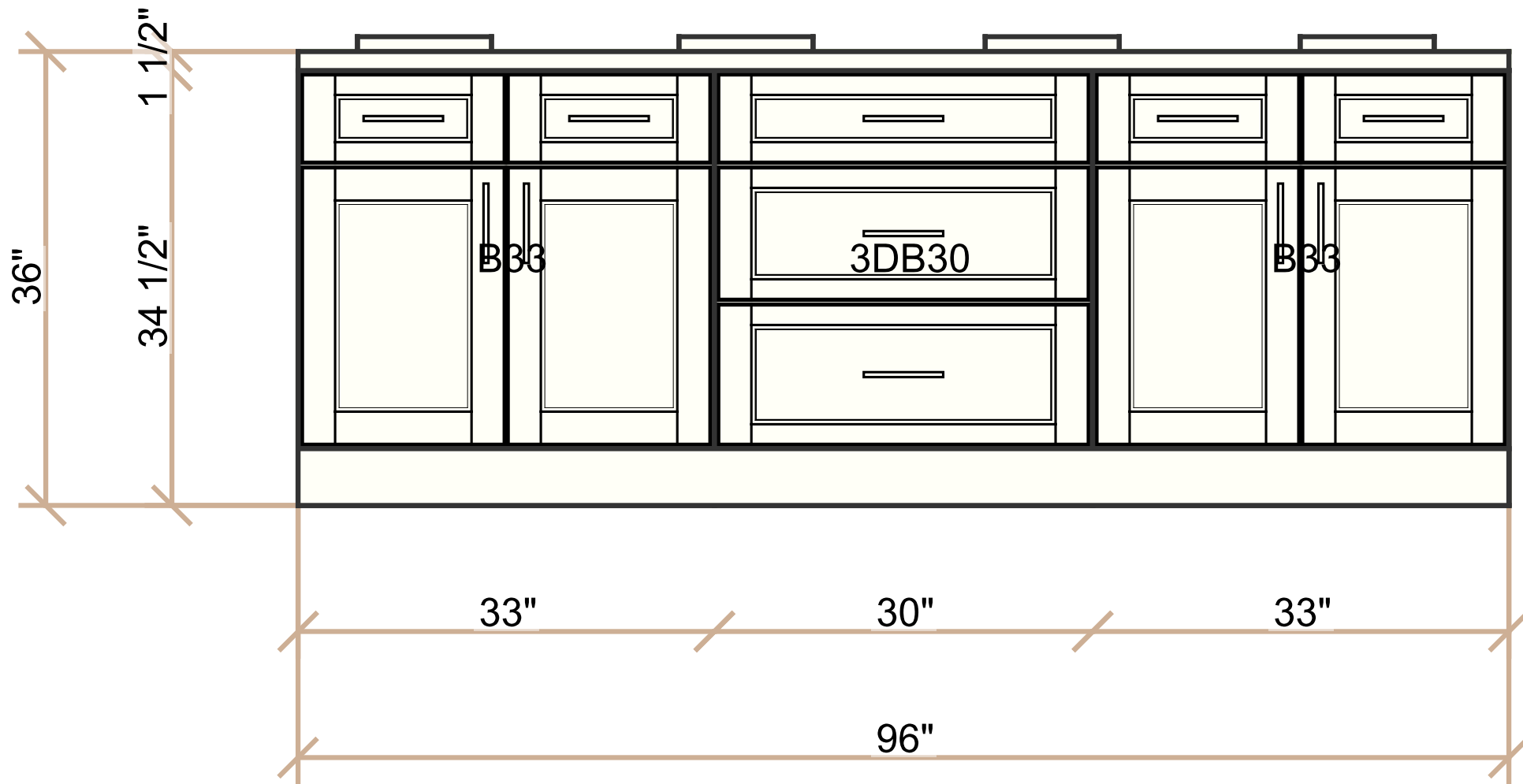


All dimensions and size designations must be verified on the site to fit job conditions. Client accepts these drawings as is and can use them on its own risk.



Design drawings are provided for the fair use by the client or his agent in completing the project as listed within this contract.

Designed:07.19.24
Printed:07.19.24

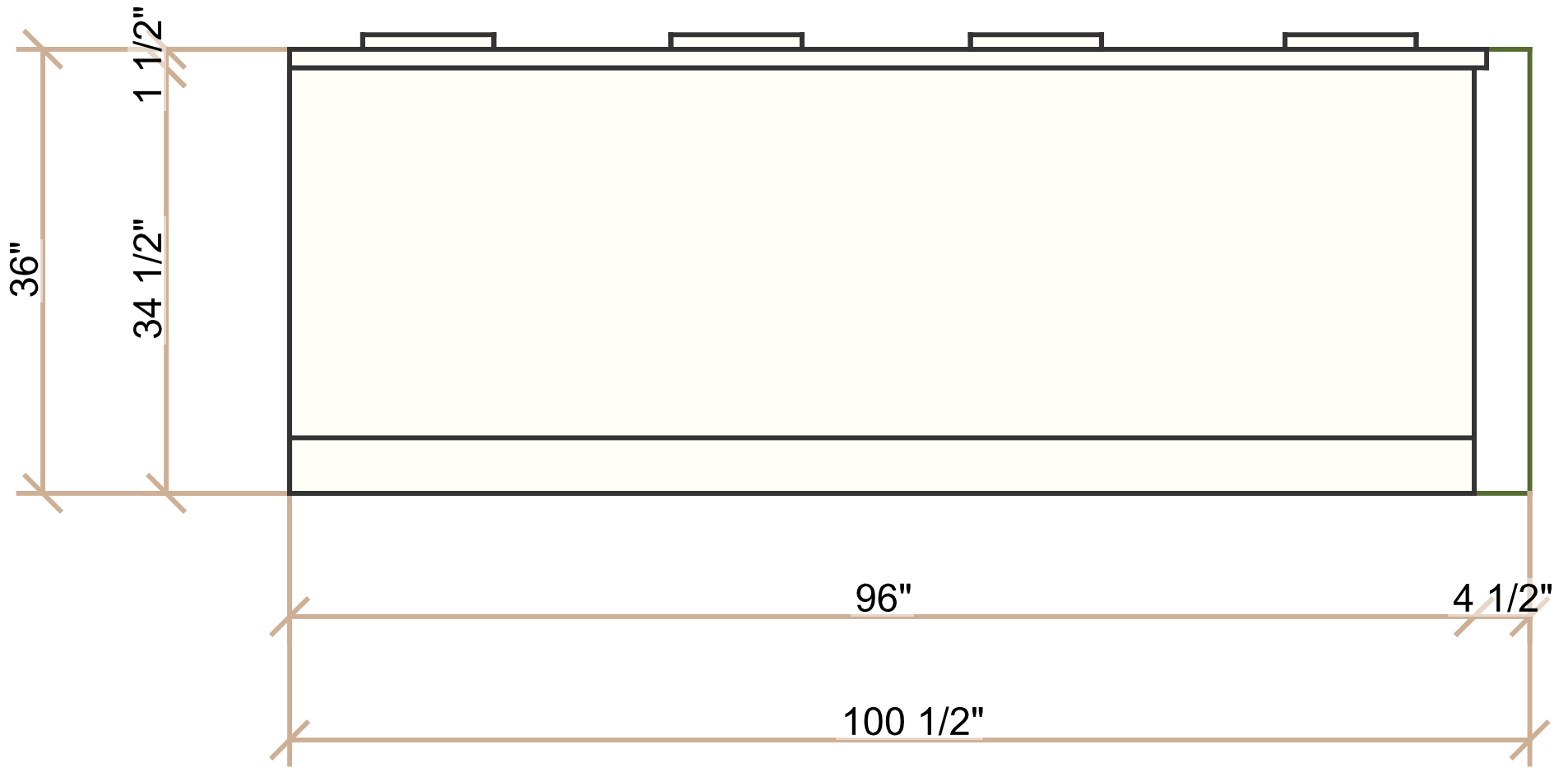


All dimensions and size designations must be verified on the site to fit job conditions. Client accepts these drawings as is and can use them on its own risk.



Design drawings are provided for the fair use by the client or his agent in completing the project as listed within this contract.

Designed:07.19.24
Printed:07.19.24

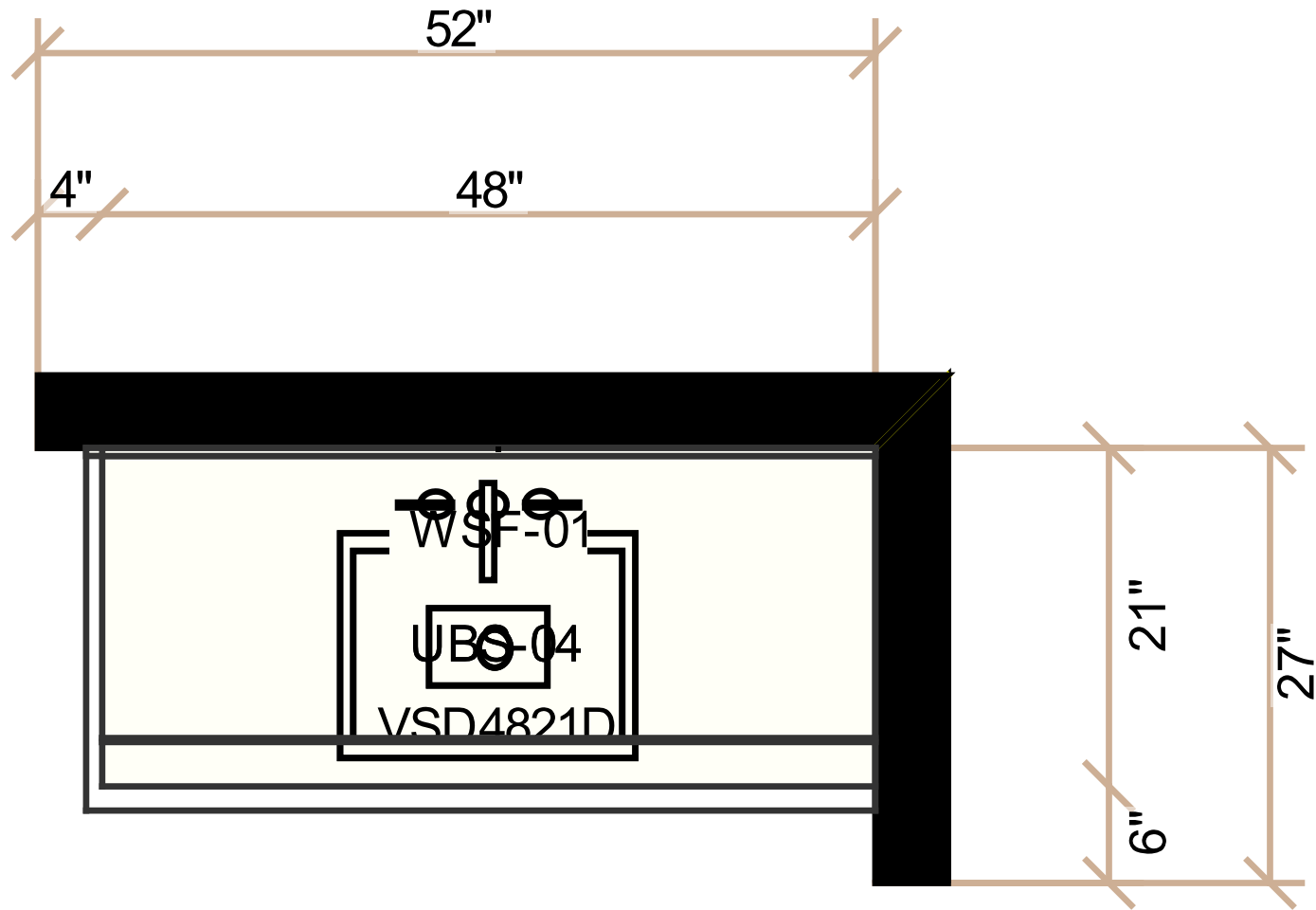


All dimensions and size designations must be verified on the site to fit job conditions. Client accepts these drawings as is and can use them on its own risk.



Design drawings are provided for the fair use by the client or his agent in completing the project as listed within this contract.

Designed:07.19.24
Printed:07.19.24

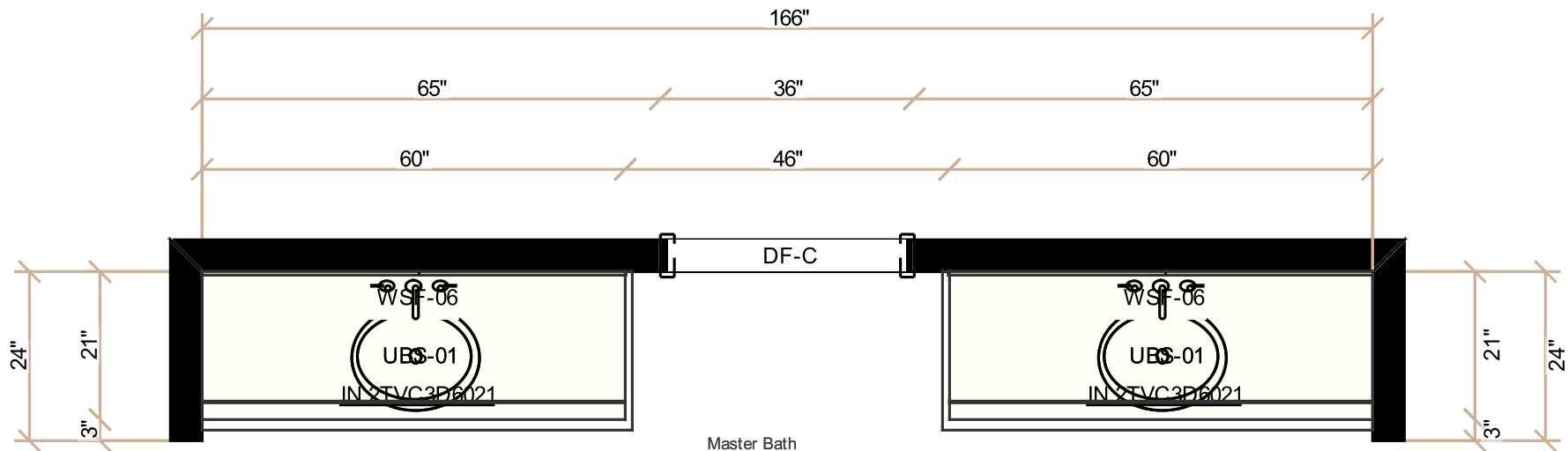


All dimensions and size designations must be verified on the site to fit job conditions. Client accepts these drawings as is and can use them on its own risk.



Design drawings are provided for the fair use by the client or his agent in completing the project as listed within this contract.

Designed:07.19.24
Printed:07.19.24



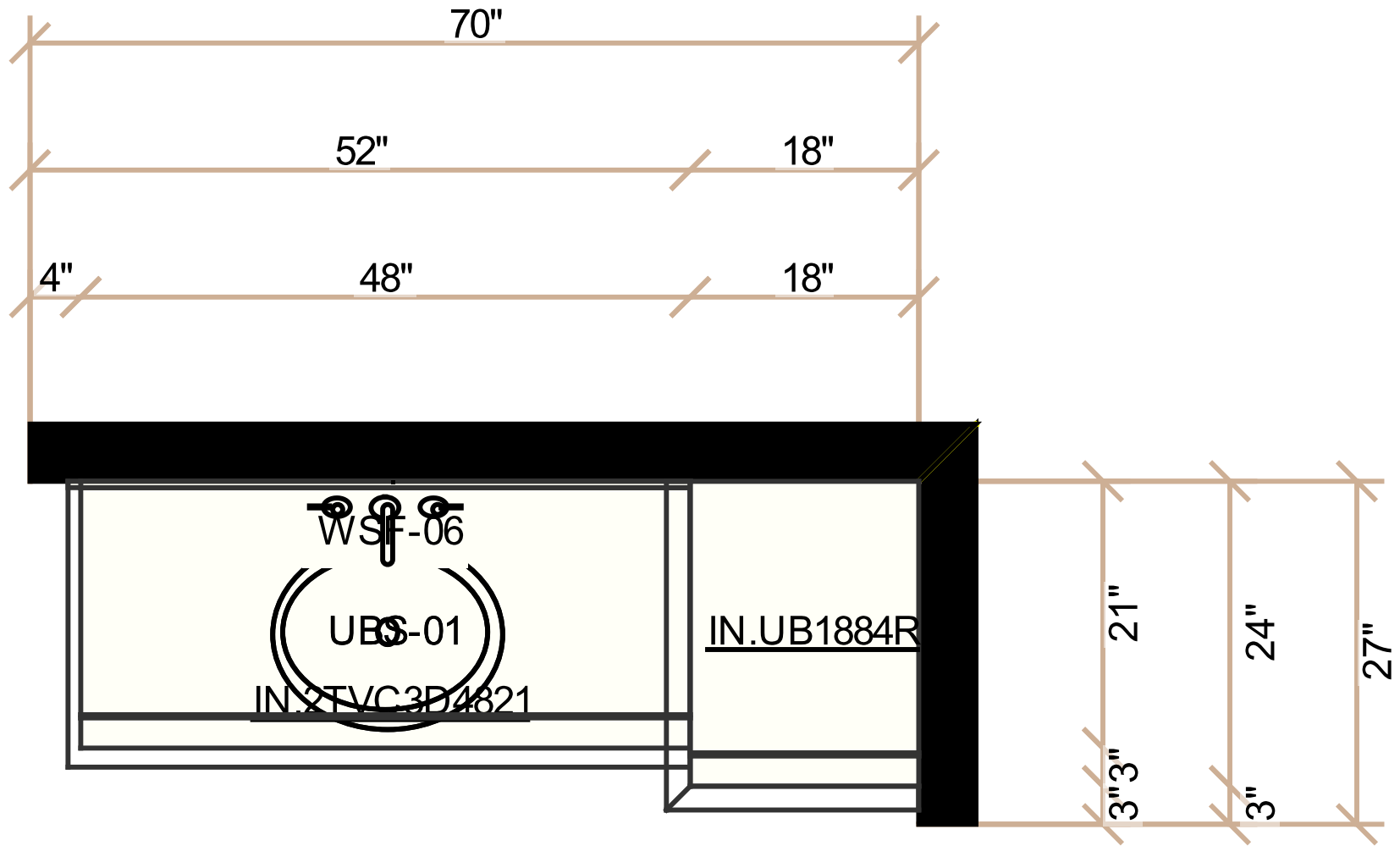
Master Bath
 Harbour Point
 Painted
 5-pcs
 Full Overlay

All dimensions and size designations must be verified on the site to fit job conditions. Client accepts these drawings as is and can use them on its own risk.



Design drawings are provided for the fair use by the client or his agent in completing the project as listed within this contract.

Designed:07.19.24
 Printed:07.19.24

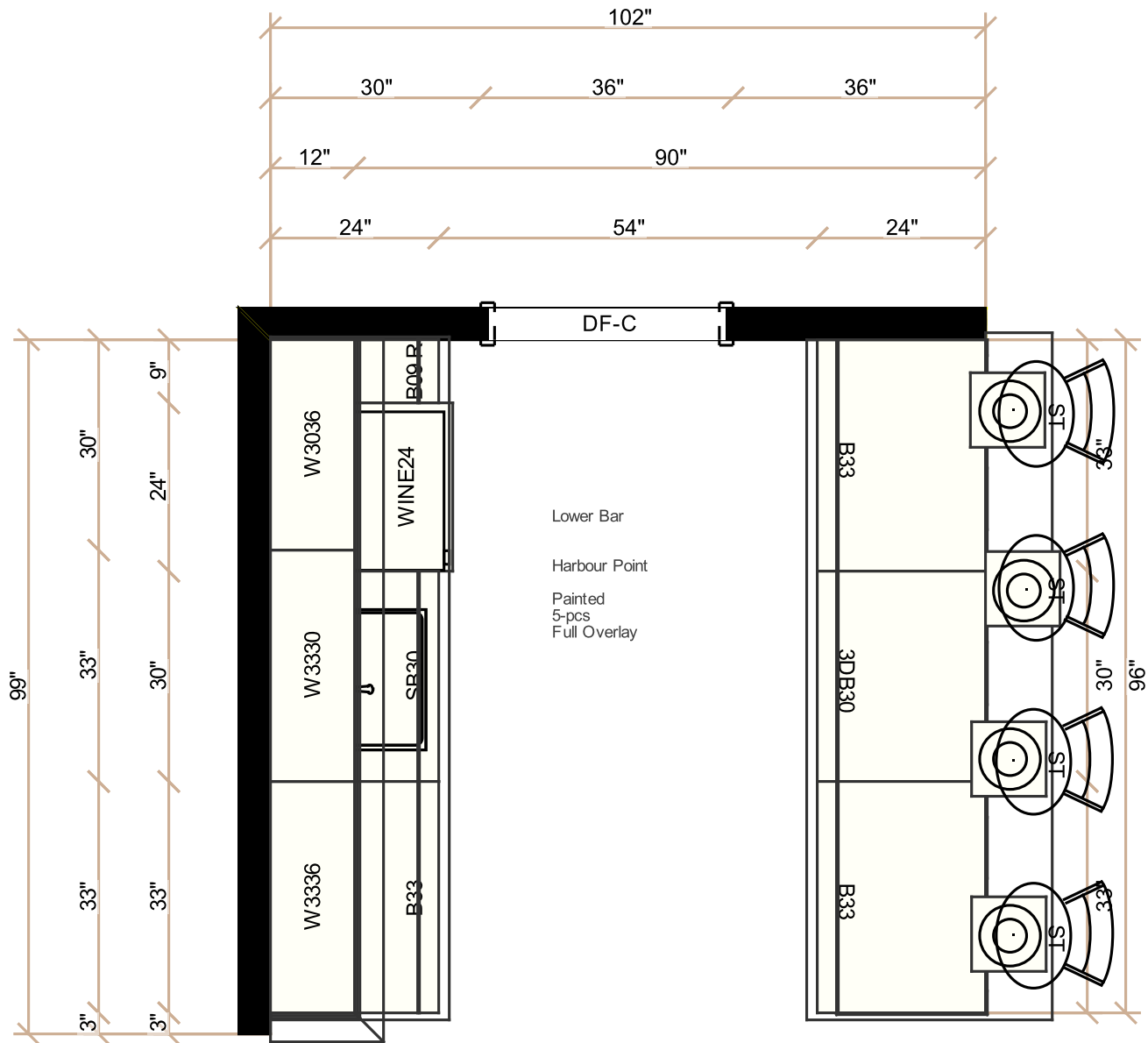


All dimensions and size designations must be verified on the site to fit job conditions. Client accepts these drawings as is and can use them on its own risk.



Design drawings are provided for the fair use by the client or his agent in completing the project as listed within this contract.

Designed:07.19.24
Printed:07.19.24

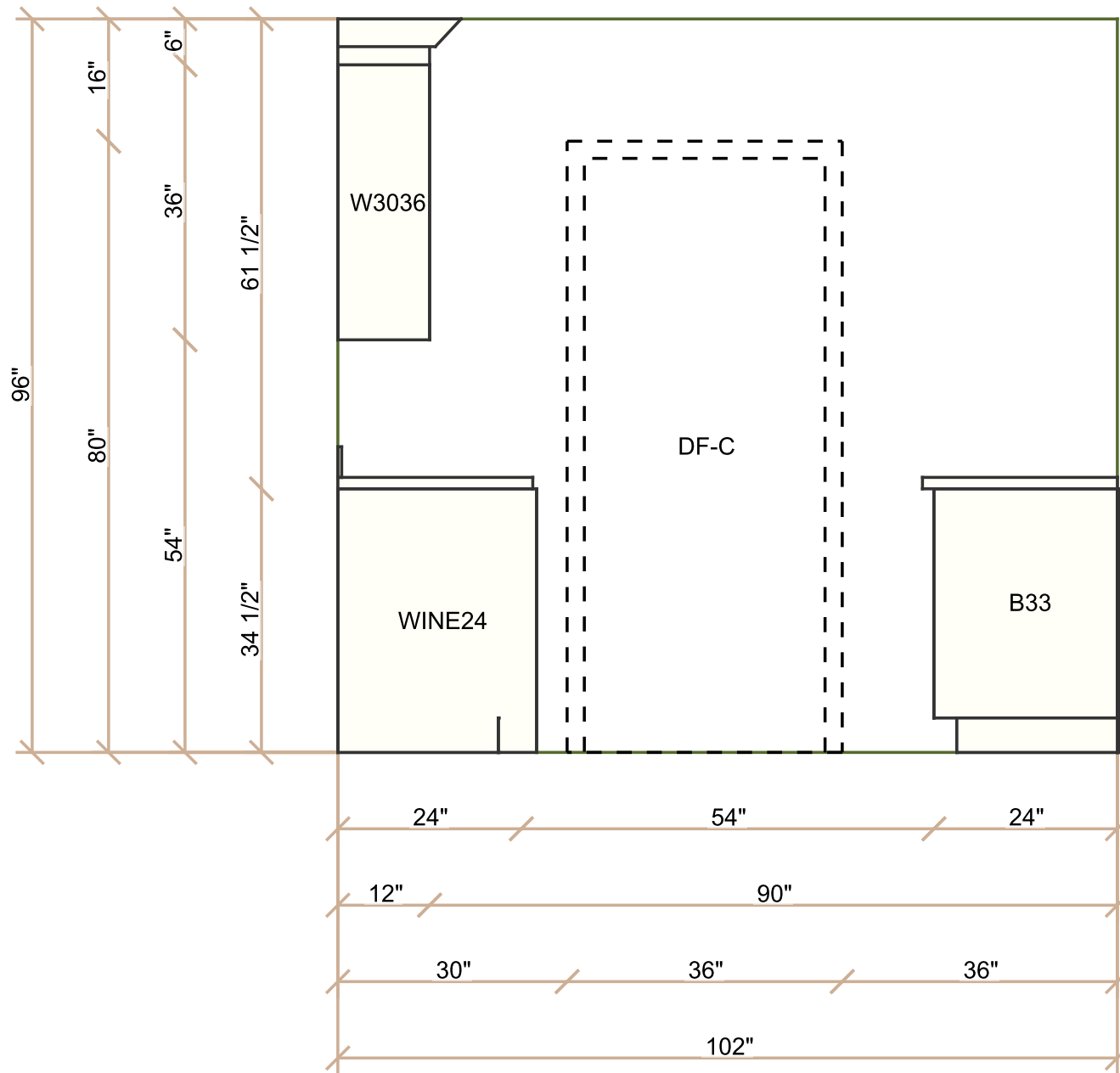


All dimensions and size designations must be verified on the site to fit job conditions. Client accepts these drawings as is and can use them on its own risk.



Design drawings are provided for the fair use by the client or his agent in completing the project as listed within this contract.

Designed:07.19.24
Printed:07.19.24

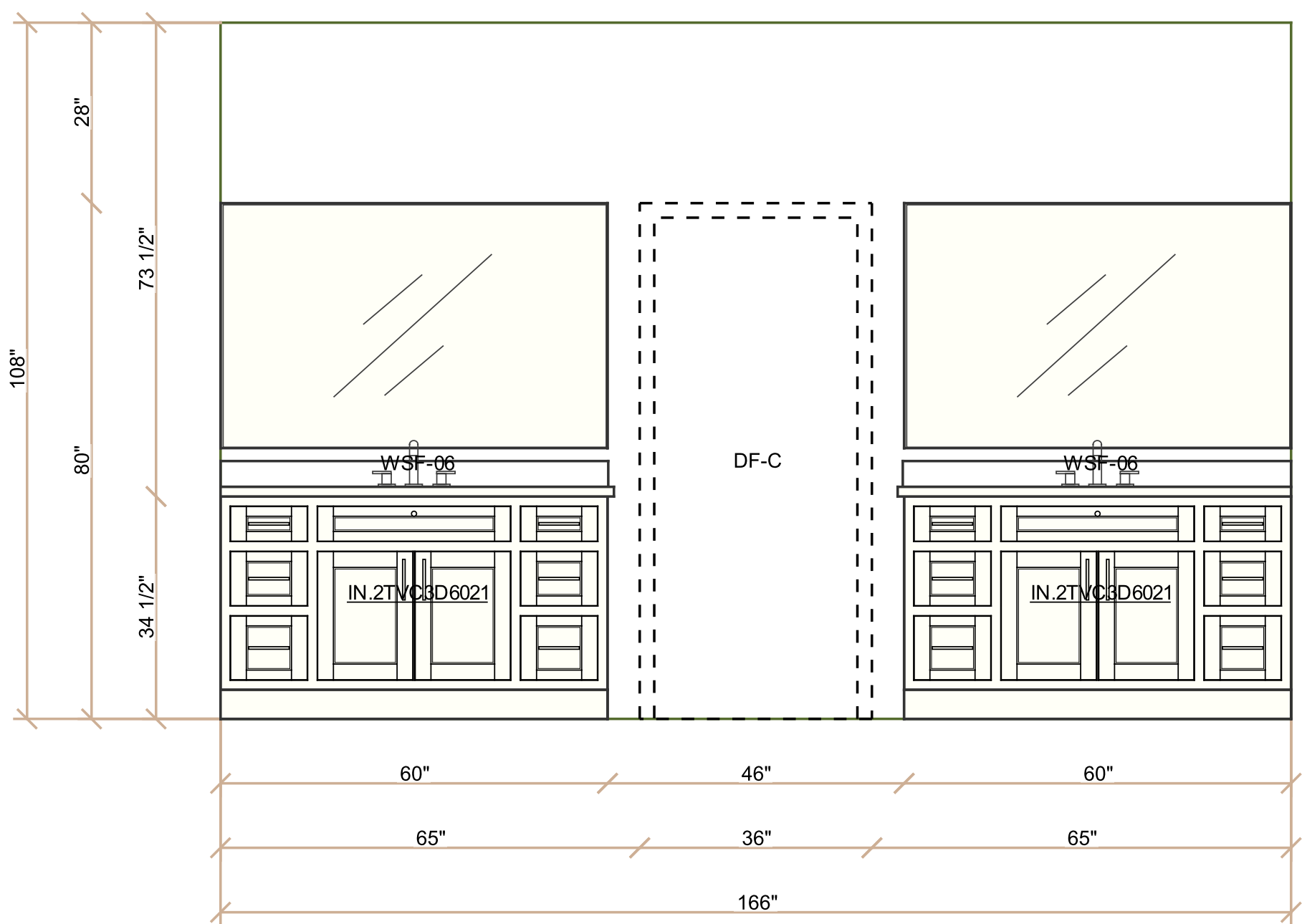


All dimensions and size designations must be verified on the site to fit job conditions. Client accepts these drawings as is and can use them on its own risk.



Design drawings are provided for the fair use by the client or his agent in completing the project as listed within this contract.

Designed:07.19.24
Printed:07.19.24



All dimensions and size designations must be verified on the site to fit job conditions. Client accepts these drawings as is and can use them on its own risk.



Design drawings are provided for the fair use by the client or his agent in completing the project as listed within this contract.

Designed:07.19.24
Printed:07.19.24



BAILEY HARDWOODS, INC.
 628 KIMBLE CT
 SPRINGFIELD, IL 62703
 +1 2175296800
 office@baileyhardwoods.com
 www.baileyhardwoods.com

Estimate

ADDRESS

Dan Wallace
 Legacy Real Estate
 201 South Walnut
 Suite 304
 Rochester, IL 62563

SHIP TO

Dan Wallace
 Legacy Real Estate
 201 South Walnut
 Suite 304
 Rochester, IL 62563

ESTIMATE # 3657

DATE 07/19/2024

DESCRIPTION	QTY	RATE	AMOUNT
Custom Cabinetry FLUSH INSET DOORS All plywood no particle All solid wood doors and faceframes Flat Panel Door style To be Determined 5-Piece Drawer Fronts Painted - Any Sherwinn Williams or Ben Moore Stain WHITE OAK- Custom to be determined Solid Hardwood dovetailed drawer boxes Soft Close Doors and Drawers Quote based on Design provided Field measure required	1	25,448.00	25,448.00T
Kitchen Perimeter -Painted Features Include: Flush Inset Doors All Show ends are Decorative Inset Spice Pull Utensil Organizer Pull All Drawer cabinets on Base Hidden Pantry doors Swinging IN 3- Pantrys units 3-drawer bottom, rollouts middle 114" tall 60" tall Stacked wall Single unit with clear glass in top	1	13,662.00	13,662.00T
Island & Wood Hood White Oak Stained - Custom Stain to be determined Wood Hood 48" wide x 42" tall (does not include vent) Trash with 2-qt cans and built in paper towel dispensing Microwave Base All Drawer Bases other than in seating area those are full height doors	1	3,262.00	3,262.00T
Lower Kitchen - Stock Cabinetry - Shaker White (Option-Custom \$6,232.00)	1	4,280.00	4,280.00T
Lower Bar - Stock Cabinetry-Shaker White (Option Custom \$7,565.00 - Painted)	1		

Thank you for your business and have a great day!

DESCRIPTION	QTY	RATE	AMOUNT
Master Bath - Full Custom	1	3,974.00	3,974.00T
Upper Bath - Full Custom	1	2,938.00	2,938.00T
Lower Bath - Stock Cabinetry (Option - Custom \$2938.00)	1	2,099.00	2,099.00T

This price does not include:

- 1.) Countertops
- 2.) Installation
- 3.) Handles/pulls Kitchen Perimeter-

Stair parts are non-returnable. Items made or ordered are specific for each job, therefore cannot be returned.

All debit/credit card transactions will have a 3% convenience fee added to the total of each transaction.

SUBTOTAL	55,663.00
TAX	4,035.57
TOTAL	\$59,698.57

Accepted By

Accepted Date