



skyacoustics

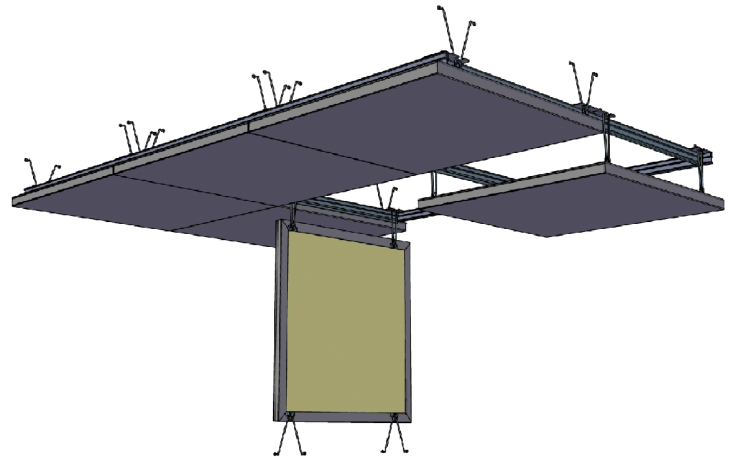
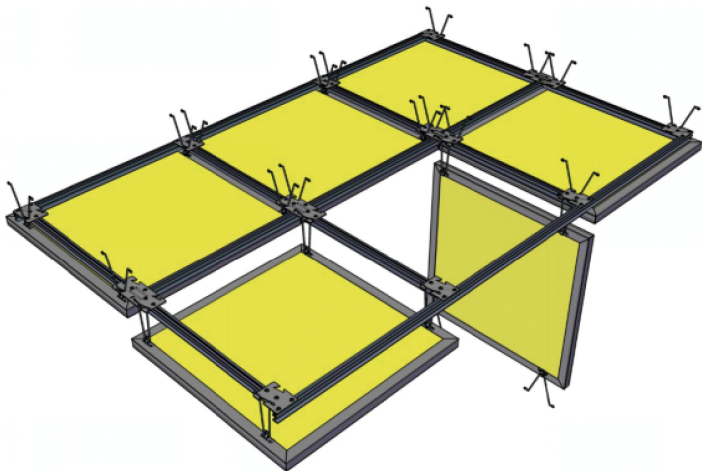
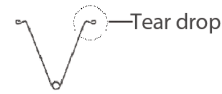
APTUS  
SUSPENSION  
SYSTEM

## APTUS TORSION SPRING SUSPENSION SYSTEM

Sky Acoustics Aptus suspension grid system compliments our Aura aluminum edge panel. The torsion springs are engaged onto the aluminum edging of the aura panel and the spring engages into the butterfly clip on the grid.

### FEATURES:

- Completely concealed torsion spring ceiling system.
- Light weight grid system is made from extruded aluminum (6063 T5 Alloy).
- 100% downward accessibility through the use of torsion spring.
- Torsion Spring ends have a tear drop feature for safe panel installation and removal.
- Panels can be hung and swung open or completely removed for easy access to any services that may be above the ceiling system.
- Intermediate grid fins provide a controlled  $\pm 1/8"$  defined ceiling panel joint line.
- Suspension system is custom engineered and manufactured for each specific project.
- Grid is pre-cut to size and labelled for ease of installation and field assembly.
- Connecting plates are fastened to the grid and form a rigid system.
- Integration of standard or custom light fixtures, air distribution, and communication systems are engineered as part of the grid system.
- Custom curved panels, built-up or extruded aluminum returns are easily incorporated to the Aptus system.



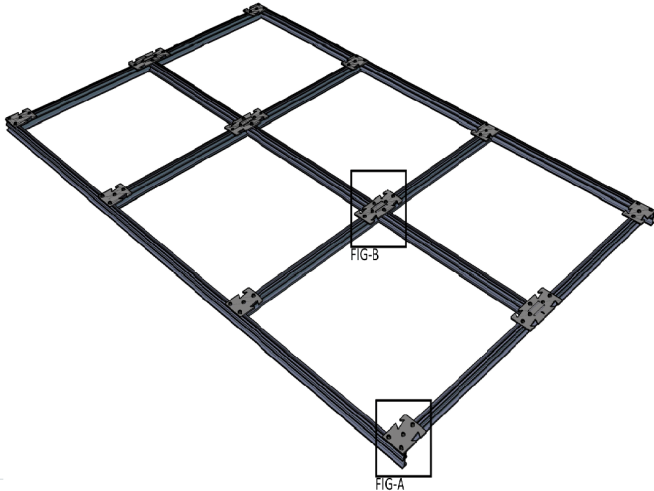
[www.sky-acoustics.com](http://www.sky-acoustics.com)

55 Bradwick Dr, Concord, ON L4K 1K5

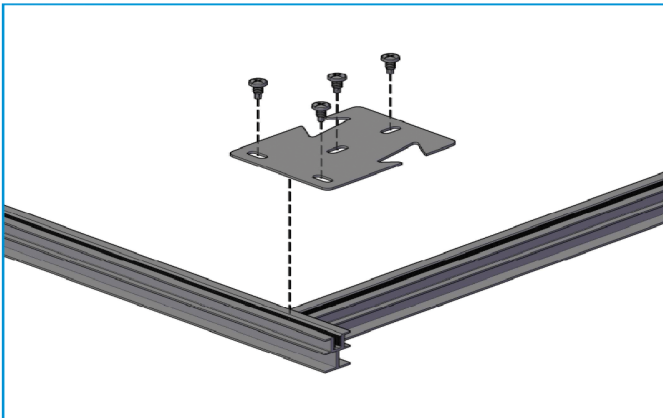
Phone: (647) 477-2200

Email: [sales@sky-acoustics.com](mailto:sales@sky-acoustics.com)

# GENERAL DATA

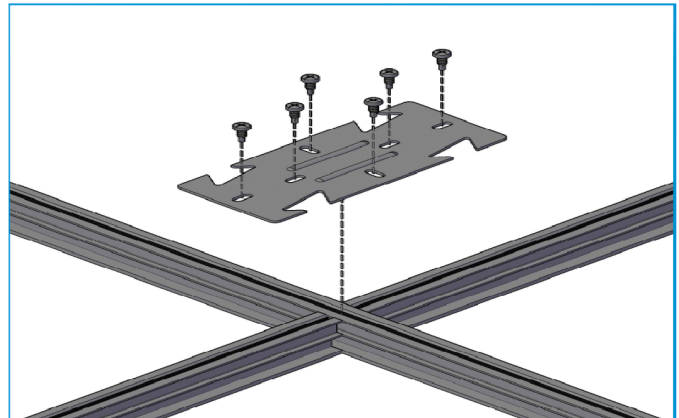


**FIG A: CORNER GRID CONNECTION**



- Minimum space of 5" (127mm) clearance above from back of panels required for torsion spring clearance.
- Any items located in the ceiling must be independently supported (ie. Lights, diffusers, sprinklers). The Aptus grid and panels are not structurally capable of supporting any weight.
- Any fixtures or items interacting with the panel will not be accessible unless uninstalled or removed (ie Lights, diffusers, sprinkler).
- A minimum of 1/2" (13mm) or greater reveal along the perimeter of our Aura panel is required for tolerance fit and for a floating ceiling look. The reveal can be closed off at the back or front of the panel with a continuous leveling angle.
- Grid spacing exceeding 48" (1200mm) will require an intermittent grid and spring.

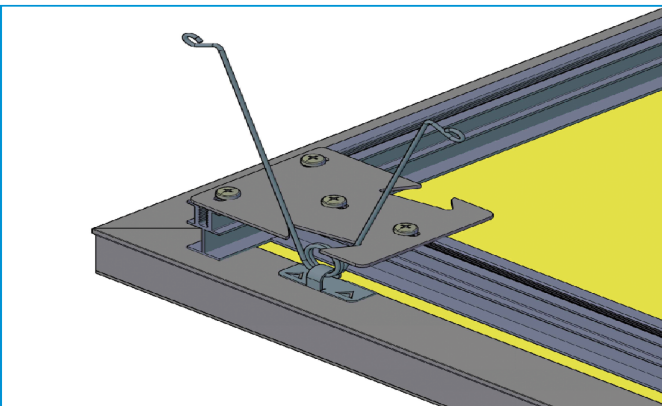
**FIG B: INTERSECTING GRID CONNECTION**



## INSTALLATION

- The Aptus grid system is fastened with grid connecting plates and suspended with hanging wires.
- The grid connection plates are also used to engage the torsion springs that are fastened to the Aura panels (\*\*torsion springs must be clipped onto spring retaining clips which are fastened to the panel before panel installation).
- All grids are pre-cut to size and labelled for easy identification and installation.
- Grid installation instruction drawings and all necessary hardware are included in delivered crate(s).

## PERIMETER CORNER DETAIL



## PERIMETER DEFINED JOINT DETAIL

