

INTERIOR INSTALLATION

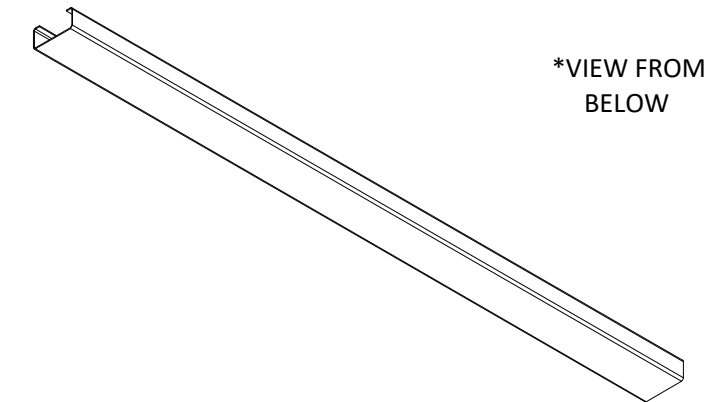
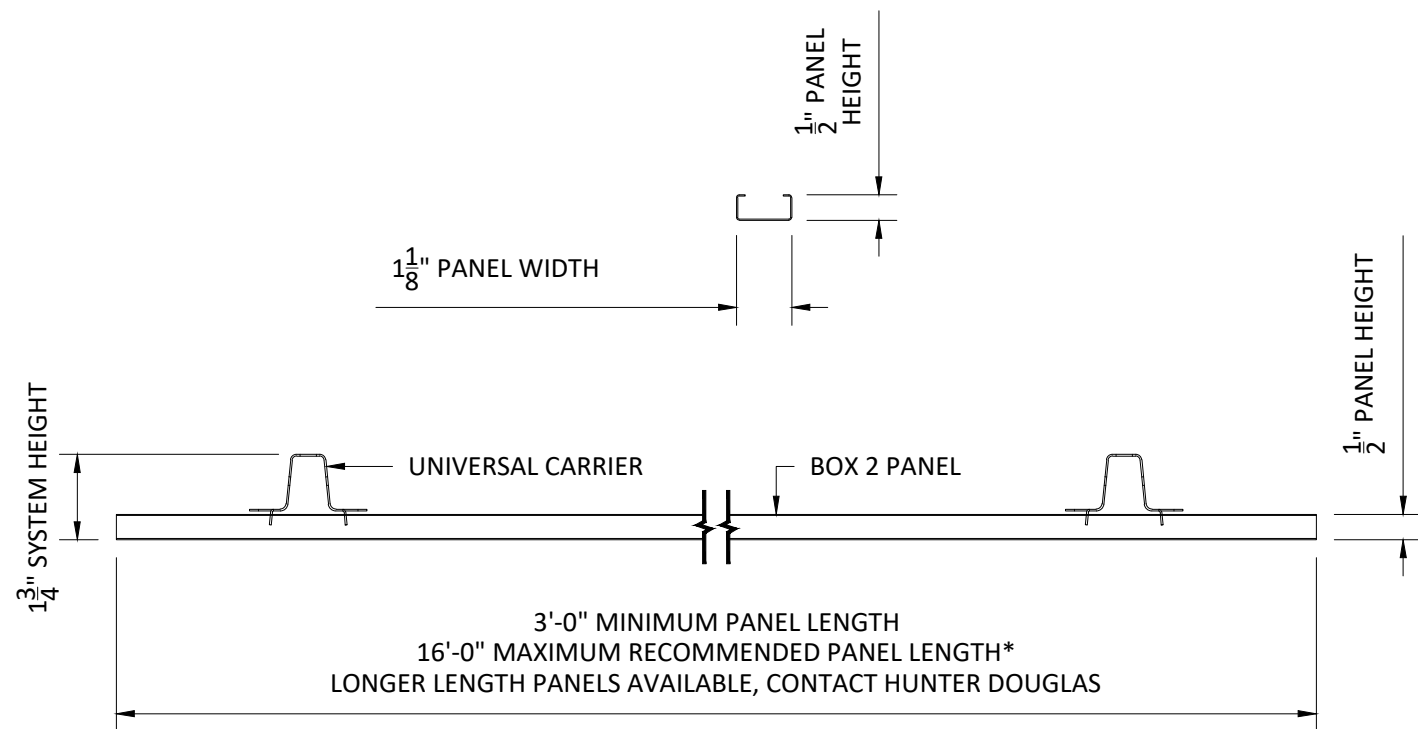


5015 Oakbrook Parkway, Suite 100
 Norcross, GA 30093
 O 800.366.4327
 F 770.806.0214
 CTSpecialtyCeilings.com

All rights reserved. This drawing is the property of CertainTeed Ceilings Corporation. It may not be copied or multiplied, neither wholly nor partly. It may not be submitted for perusal to third parties.

SPECIFICATIONS
 (unless noted otherwise)
 MATERIAL: .020" | .025" ALUMINUM BOX 2 PANEL | .040" ALUMINUM
 UNIVERSAL CARRIER
 FINISH: PAINT | POWDER COAT | DECORATED WOOD FINISH | WOOD
 VENEER | LUXACOTE
 PERFORATION: NOT AVAILABLE

OVERALL ISOMETRIC VIEW
 PROJECT: LINEAR BOX 2 PRODUCT SPECIFICATIONS
 DRAWING NUMBER: BOX-2-A1.0
 SCALE: AS SHOWN
 DRAWN BY: HD ENGINEERING
 DATE: 12/6/18



MATERIAL THICKNESS

BOX 2: .020" OR .025" ALUMINUM

PANEL FINISHES

PAINTED & POWDER COATED - INTERIOR & EXTERIOR

LUXACOTE - INTERIOR & EXTERIOR

DECORATED WOOD FINISH (POWDER COATED) - INTERIOR & EXTERIOR

WOOD VENEER - RECOMMENDED INTERIOR ONLY

10'-0" MAXIMUM RECOMMENDED PANEL LENGTH WITHOUT FINGER-JOINTING OF VENEER

16'-0" MAXIMUM RECOMMENDED PANEL LENGTH WITH FINGER-JOINTING OF VENEER

NO PERFORATION AVAILABLE FOR BOX 2 PANEL

FACTORY END & SIDE PANEL VIEW

SCALE: 3" = 1'-0"

*PANEL LENGTHS AVAILABLE IN $\pm \frac{1}{8}$ " TOLERANCE,
MINIMUM QUANTITIES MAY APPLY

PANEL MATERIALS & FINISHES

SCALE: NOT TO SCALE

HunterDouglas 
Ceiling & Wall Products
exclusively from CertainTeed

5015 Oakbrook Parkway, Suite 100
Norcross, GA 30093
O 800.366.4327
F 770.806.0214
CTSpecialtyCeilings.com

All rights reserved. This drawing is the property of CertainTeed Ceilings Corporation. It may not be copied or multiplied, neither wholly nor partly. It may not be submitted for perusal to third parties.

SPECIFICATIONS

(unless noted otherwise)

MATERIAL: .020" | .025" ALUMINUM BOX 2 PANEL | .040" ALUMINUM

UNIVERSAL CARRIER

FINISH: PAINT | POWDER COAT | DECORATED WOOD FINISH | WOOD

VENEER | LUXACOTE

PERFORATION: NOT AVAILABLE

PANEL SPECIFICATION

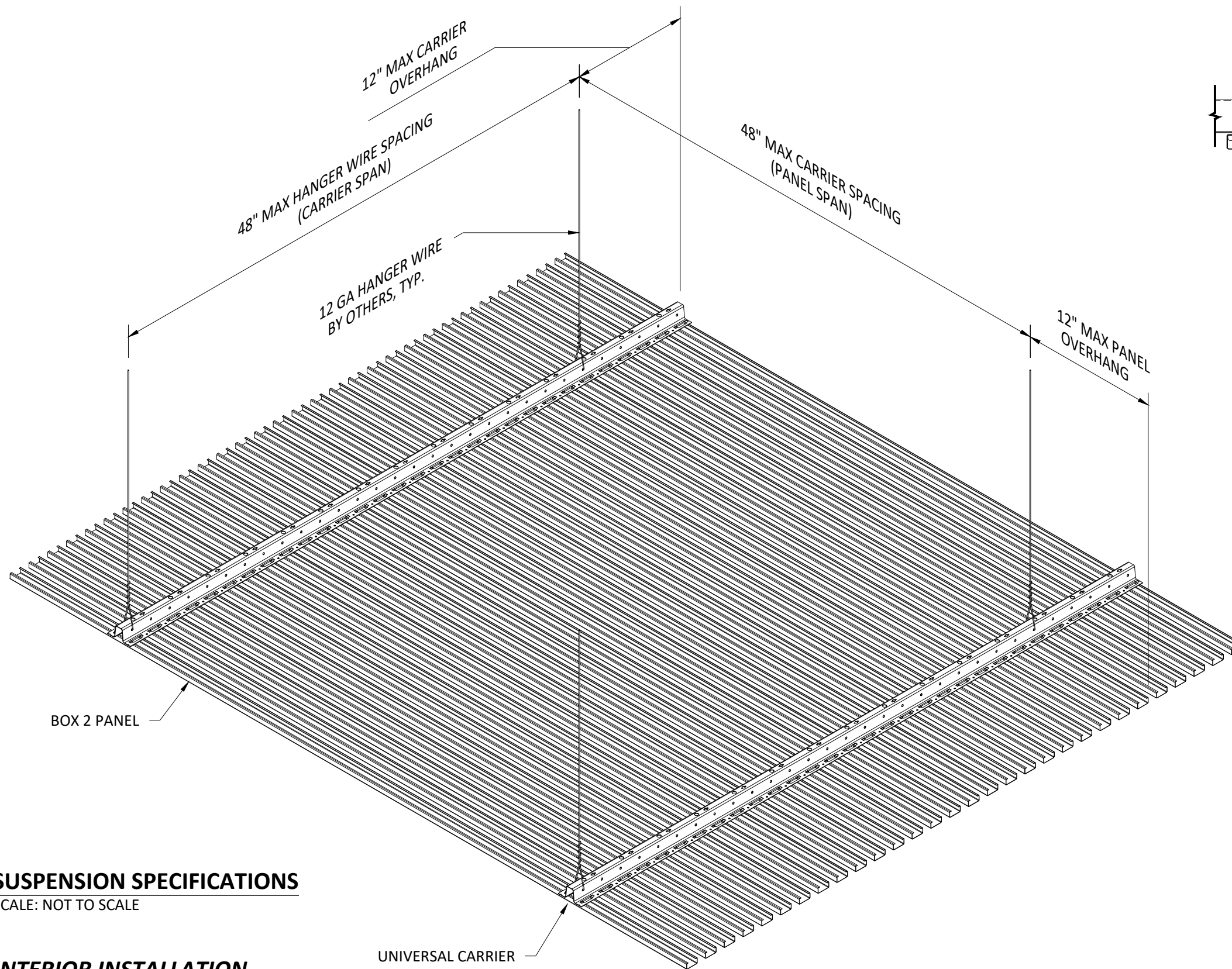
PROJECT: LINEAR BOX 2 PRODUCT SPECIFICATIONS

DRAWING NUMBER: BOX-2-A1.1

SCALE: AS SHOWN

DRAWN BY: HD ENGINEERING

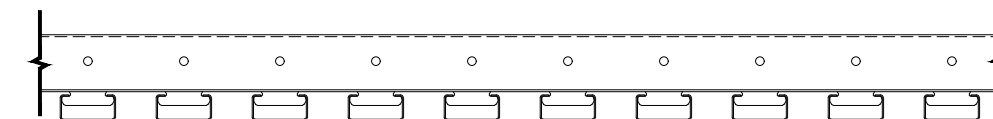
DATE: 12/6/18



SUSPENSION SPECIFICATIONS

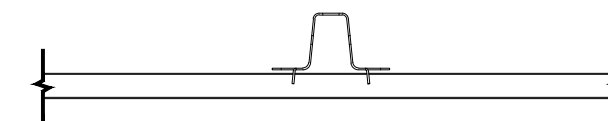
SCALE: NOT TO SCALE

INTERIOR INSTALLATION



SIDE VIEW OF UNIVERSAL CARRIER WITH PANEL

SCALE: 3" = 1'-0"



END VIEW OF UNIVERSAL CARRIER WITH PANEL

SCALE: 3" = 1'-0"

UNIVERSAL CARRIER*

MATERIAL: 0.040" ALUMINUM

FINISH: MATTE BLACK

PART LENGTH: 16'-0"

*CARRIER SPLICE REQUIRED, SEE DETAIL A1.5

HunterDouglas 
Ceiling & Wall Products
 exclusively from CertainTeed

5015 Oakbrook Parkway, Suite 100
 Norcross, GA 30093
 O 800.366.4327
 F 770.806.0214
 CTSpecialtyCeilings.com

All rights reserved. This drawing is the property of CertainTeed Ceilings Corporation. It may not be copied or multiplied, neither wholly nor partly. It may not be submitted for perusal to third parties.

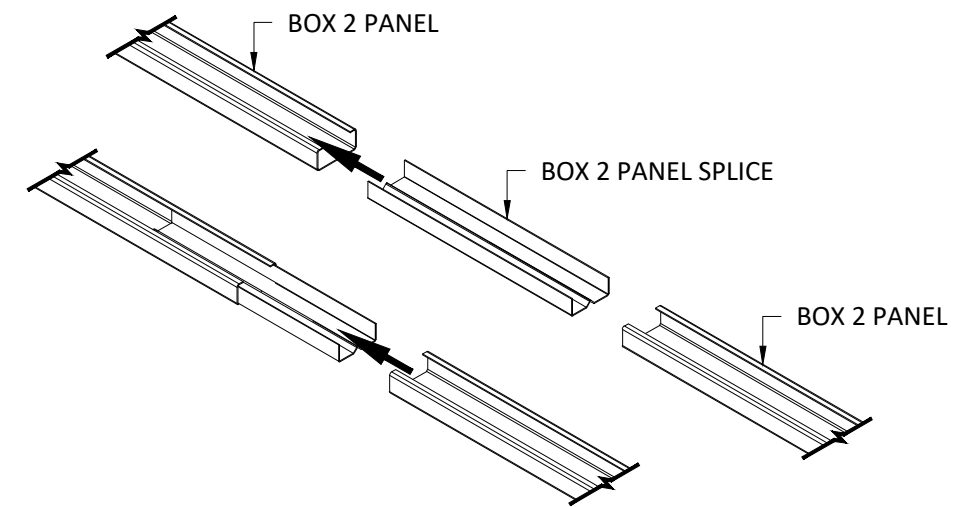
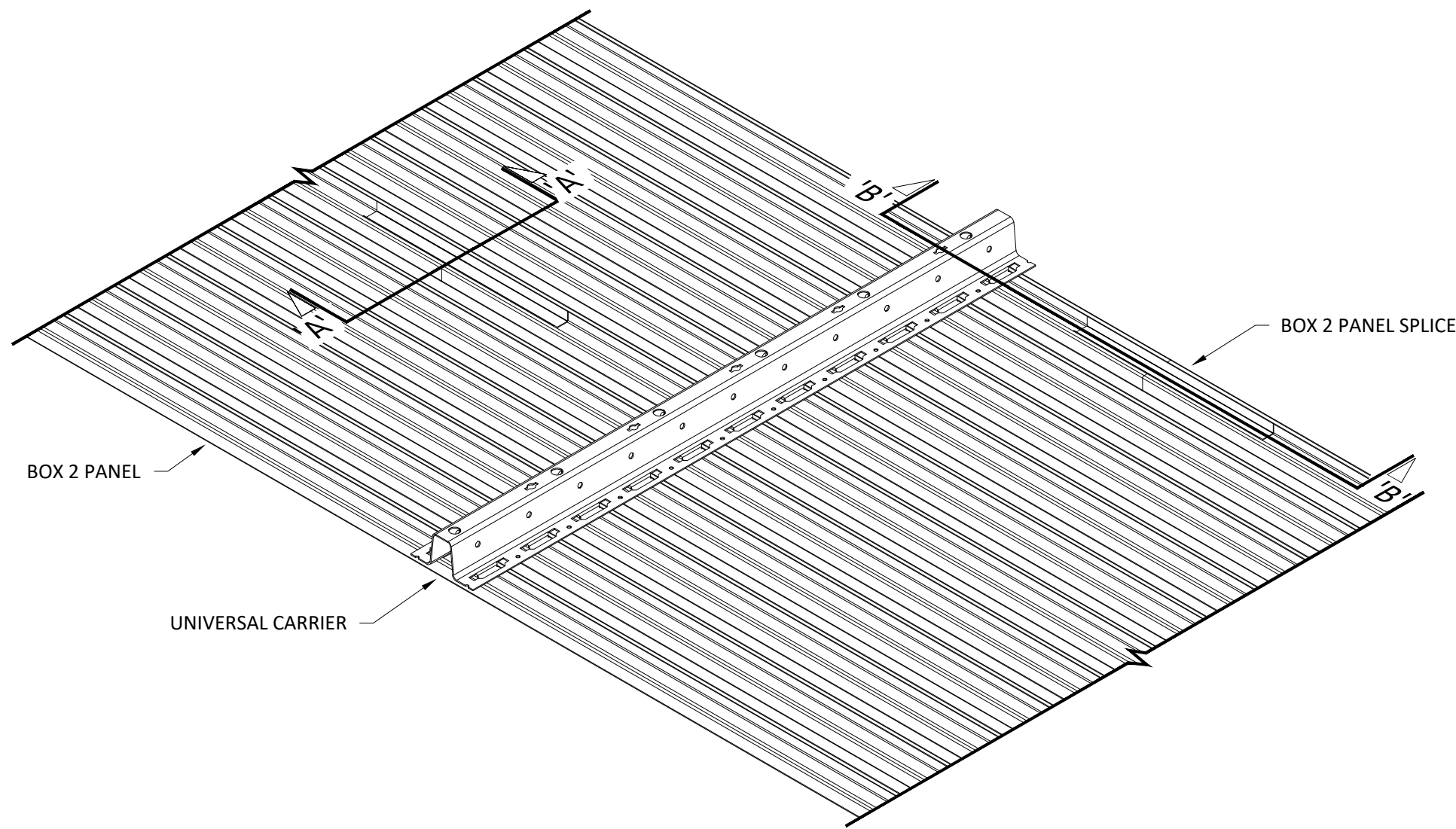
SPECIFICATIONS

(unless noted otherwise)

MATERIAL: .020" | .025" ALUMINUM BOX 2 PANEL | .040" ALUMINUM
 UNIVERSAL CARRIER
 FINISH: PAINT | POWDER COAT | DECORATED WOOD FINISH | WOOD
 VENEER | LUXACOTE
 PERFORATION: NOT AVAILABLE

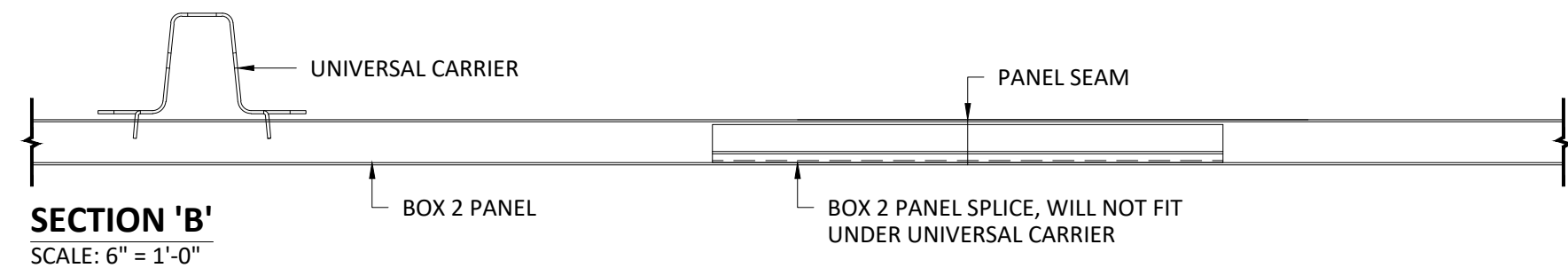
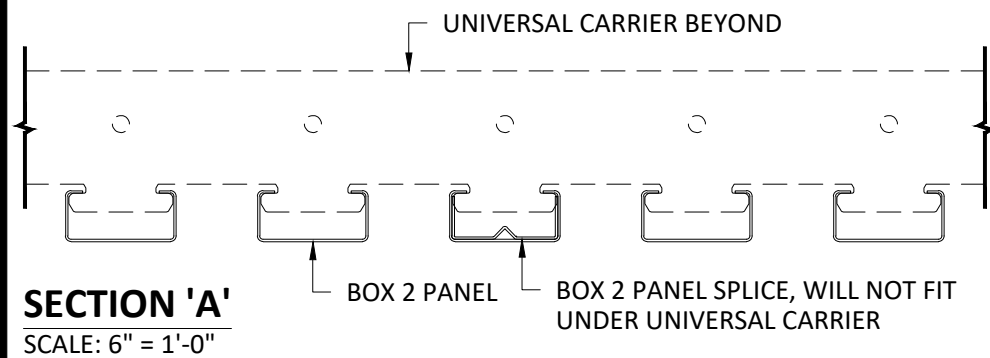
CARRIER SPECIFICATION

PROJECT: LINEAR BOX 2 PRODUCT SPECIFICATIONS
 DRAWING NUMBER: BOX-2-A1.2
 SCALE: AS SHOWN
 DRAWN BY: HD ENGINEERING
 DATE: 12/6/18



NOTE 1:
DO NOT SPLICE PANELS DIRECTLY BELOW UNIVERSAL CARRIERS.
PANEL SPLICES DO NOT FIT UNDER CARRIERS.

NOTE 2:
FIELD CUT PANELS AS REQUIRED TO CREATE A RANDOM
STAGGERED SEAM PATTERN. AVOID ALIGNED SEAMS.



INTERIOR INSTALLATION

*HANGER WIRE OMITTED FOR CLARITY

HunterDouglas
Ceiling & Wall Products
exclusively from CertainTeed

5015 Oakbrook Parkway, Suite 100
Norcross, GA 30093
O 800.366.4327
F 770.806.0214
CTSpecialtyCeilings.com

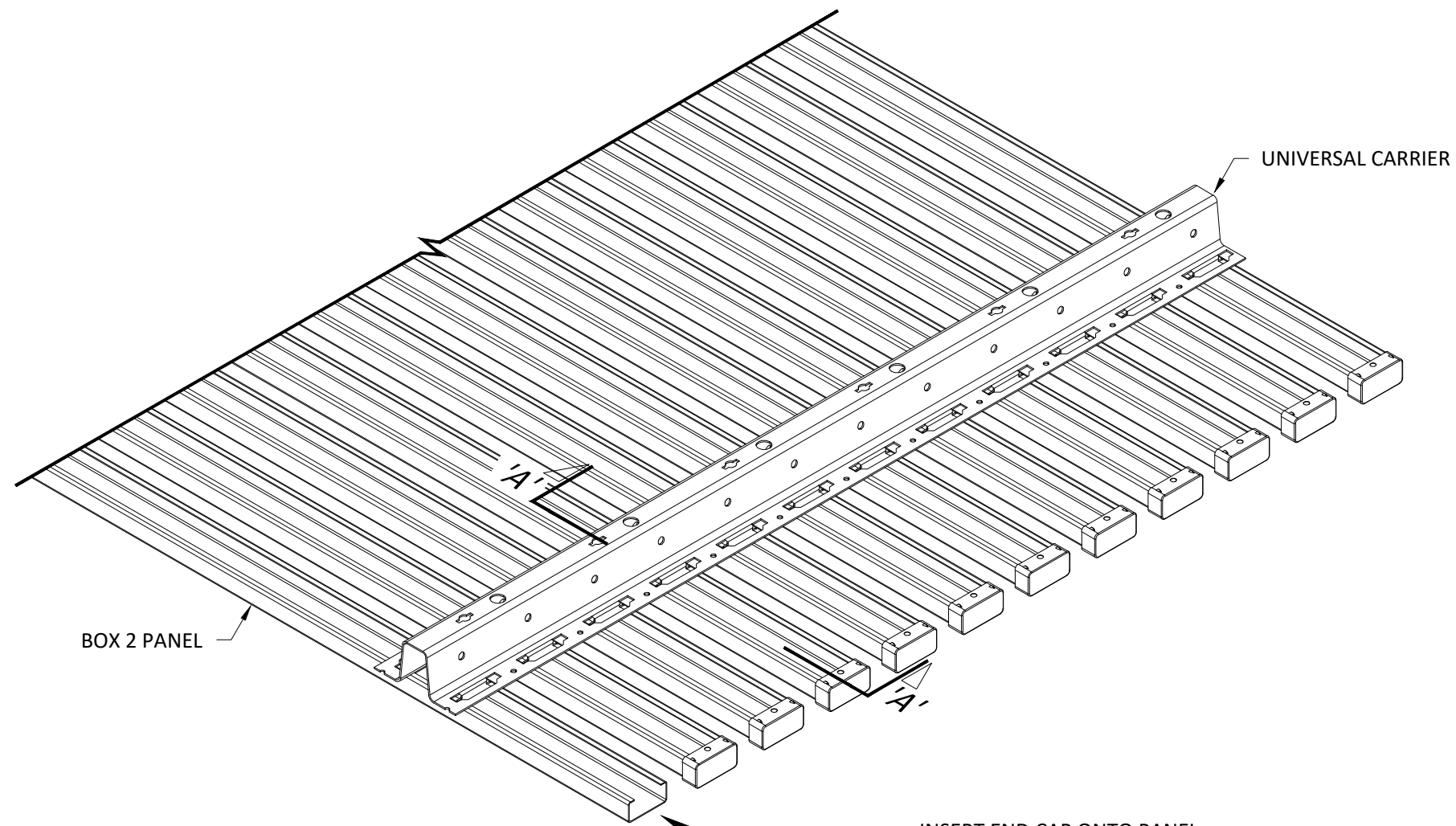
All rights reserved. This drawing is the property of CertainTeed Ceilings Corporation. It may not be copied or multiplied, neither wholly nor partly. It may not be submitted for perusal to third parties.

SPECIFICATIONS
(unless noted otherwise)

MATERIAL: .020" | .025" ALUMINUM BOX 2 PANEL | .040" ALUMINUM
UNIVERSAL CARRIER
FINISH: PAINT | POWDER COAT | DECORATED WOOD FINISH | WOOD
VENEER | LUXACOTE
PERFORATION: NOT AVAILABLE

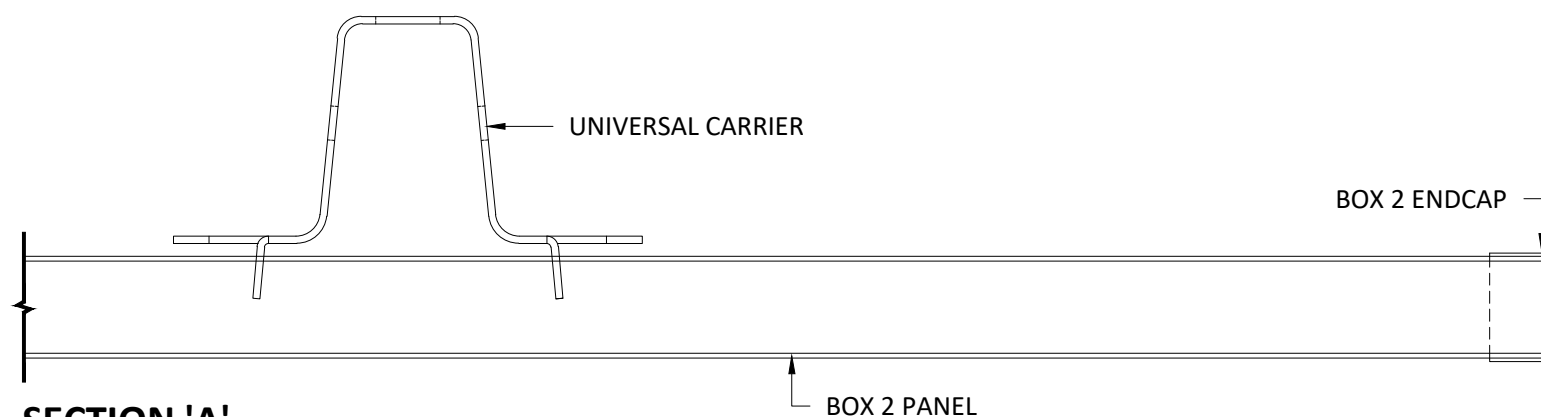
PANEL SPLICE SPECIFICATION

PROJECT: LINEAR BOX 2 PRODUCT SPECIFICATIONS
DRAWING NUMBER: BOX-2-A1.3
SCALE: AS SHOWN
DRAWN BY: HD ENGINEERING
DATE: 12/6/18



INSERT END CAP ONTO PANEL AND ENSURE SHEAR TABS ARE ORIENTED ON TOP OF PANEL

BOX 2 ENDCAP



SECTION 'A'
SCALE: FULL (1:1)

*HANGER WIRE OMITTED FOR CLARITY

HunterDouglas 
Ceiling & Wall Products
exclusively from CertainTeed

5015 Oakbrook Parkway, Suite 100
Norcross, GA 30093
O 800.366.4327
F 770.806.0214
CTSpecialtyCeilings.com

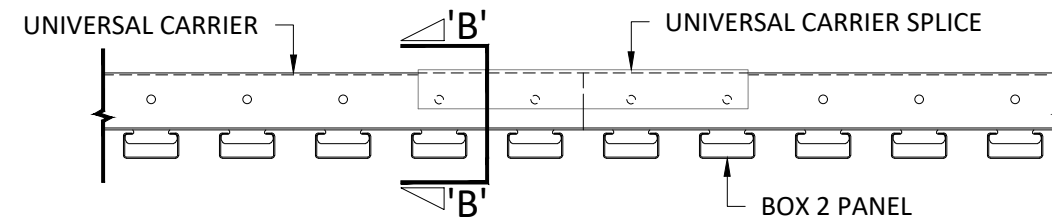
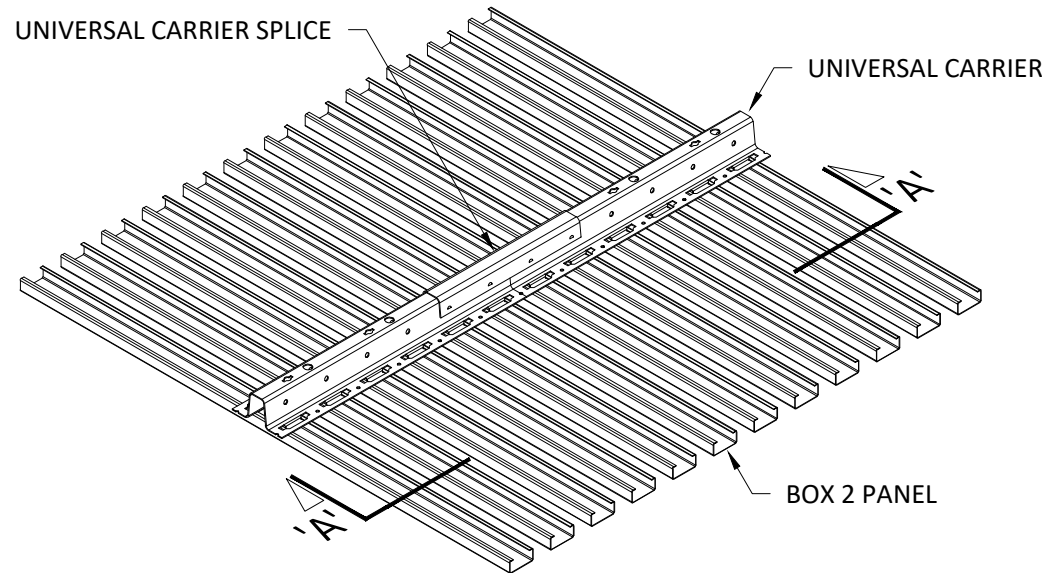
All rights reserved. This drawing is the property of CertainTeed Ceilings Corporation. It may not be copied or multiplied, neither wholly nor partly. It may not be submitted for perusal to third parties.

SPECIFICATIONS
(unless noted otherwise)

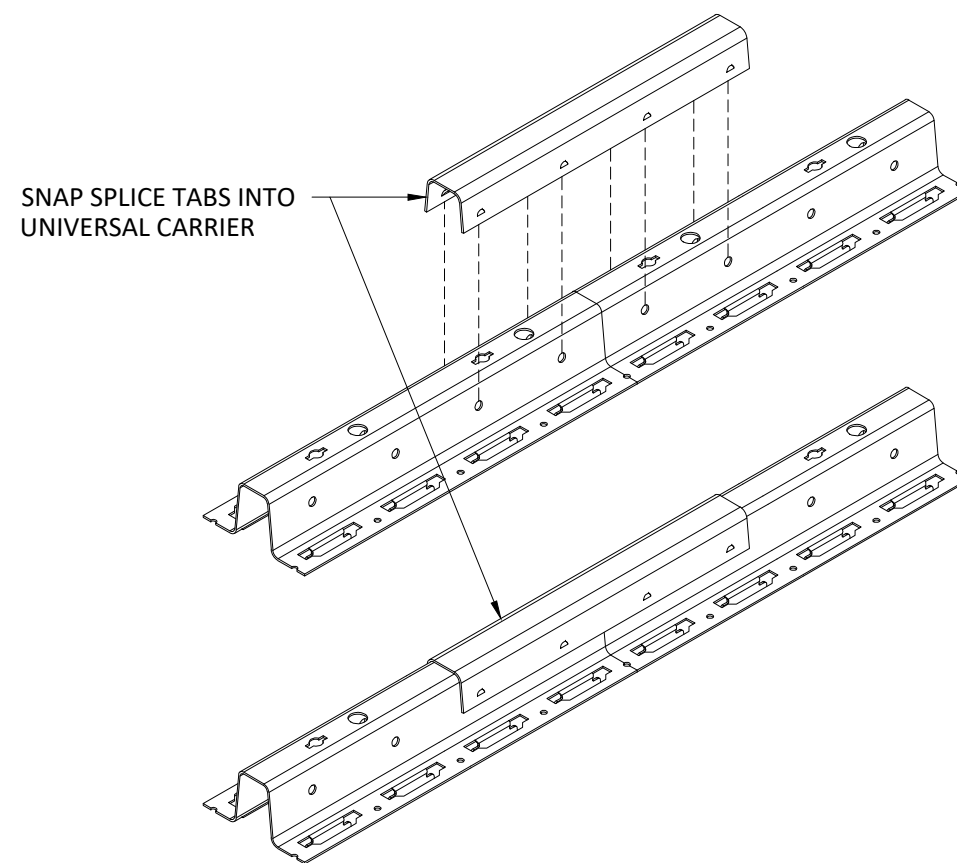
MATERIAL: .020" | .025" ALUMINUM BOX 2 PANEL | .040" ALUMINUM
UNIVERSAL CARRIER
FINISH: PAINT | POWDER COAT | DECORATED WOOD FINISH | WOOD
VENEER | LUXACOTE
PERFORATION: NOT AVAILABLE

PANEL END CAP

PROJECT: LINEAR BOX 2 PRODUCT SPECIFICATIONS
DRAWING NUMBER: BOX-2-A1.4
SCALE: AS SHOWN
DRAWN BY: HD ENGINEERING
DATE: 12/6/18

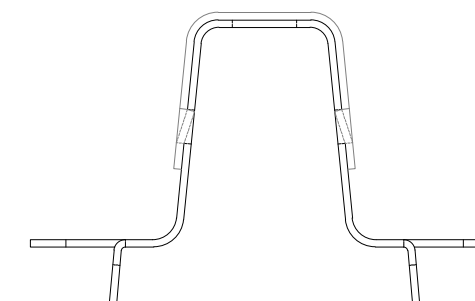


SECTION 'A'
SCALE: 3" = 1'-0"



IF THE DESIRED CARRIER LENGTH EXCEEDS THE MAXIMUM OF 16'-0", USE A UNIVERSAL CARRIER SPLICE TO CONNECT THE FACTORY CARRIER ENDS.

THE TABS OF THE SPLICE SNAP INTO THE HOLES IN THE CARRIER AND ADDITIONAL FIXING IS NOT NECESSARY. THE MODULE IS CONTINUED AUTOMATICALLY.



SECTION 'B'
SCALE: FULL (1:1)

INTERIOR INSTALLATION

*HANGER WIRE OMITTED FOR CLARITY

HunterDouglas 
Ceiling & Wall Products
exclusively from CertainTeed

5015 Oakbrook Parkway, Suite 100
Norcross, GA 30093
O 800.366.4327
F 770.806.0214
CTSpecialtyCeilings.com

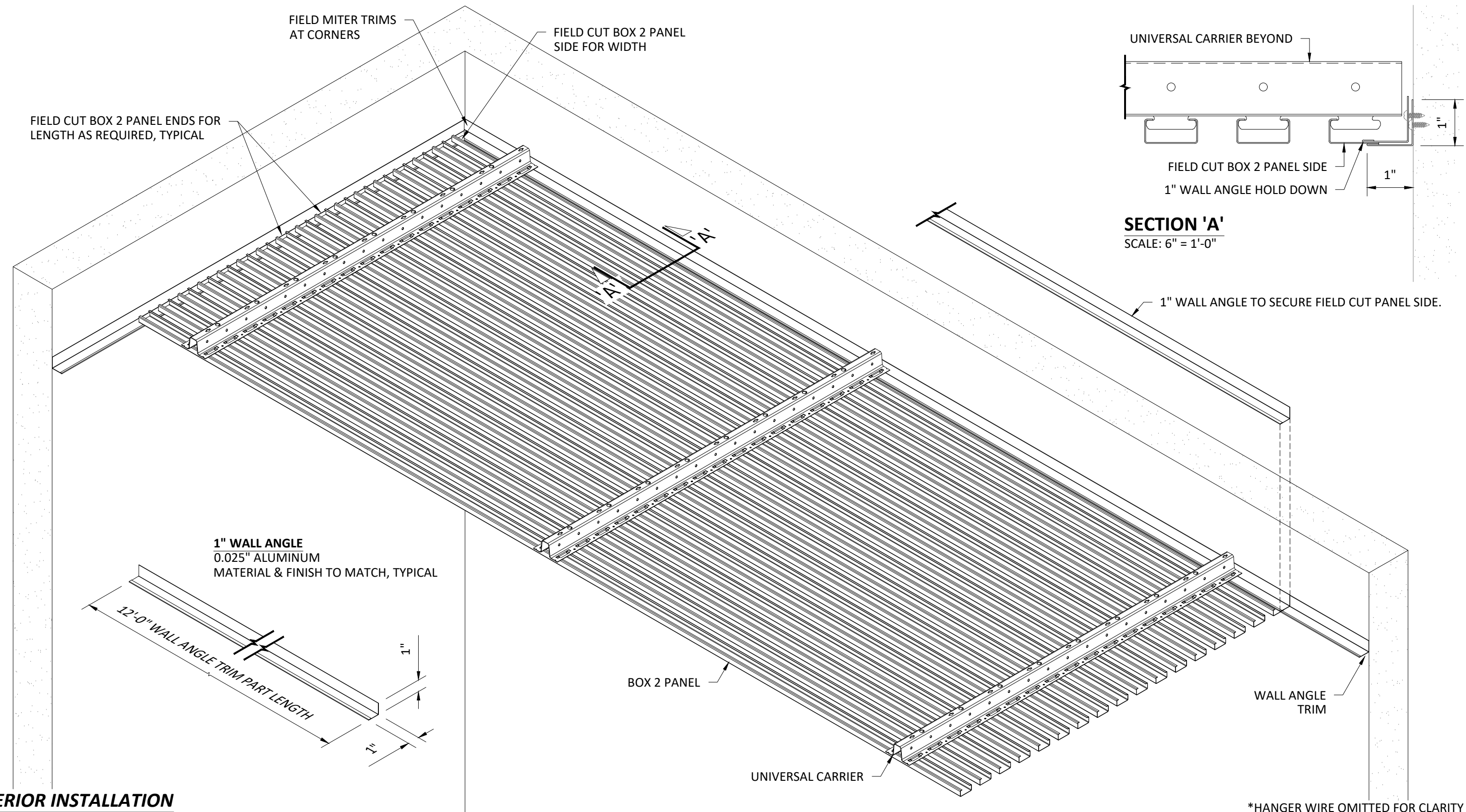
All rights reserved. This drawing is the property of CertainTeed Ceilings Corporation. It may not be copied or multiplied, neither wholly nor partly. It may not be submitted for perusal to third parties.

SPECIFICATIONS
(unless noted otherwise)

MATERIAL: .020" | .025" ALUMINUM BOX 2 PANEL | .040" ALUMINUM
UNIVERSAL CARRIER
FINISH: PAINT | POWDER COAT | DECORATED WOOD FINISH | WOOD
VENEER | LUXACOTE
PERFORATION: NOT AVAILABLE

UNIVERSAL CARRIER SPLICE

PROJECT: LINEAR BOX 2 PRODUCT SPECIFICATIONS
DRAWING NUMBER: BOX-2-A1.5
SCALE: AS SHOWN
DRAWN BY: HD ENGINEERING
DATE: 12/6/18



INTERIOR INSTALLATION

HunterDouglas 
Ceiling & Wall Products
 exclusively from CertainTeed

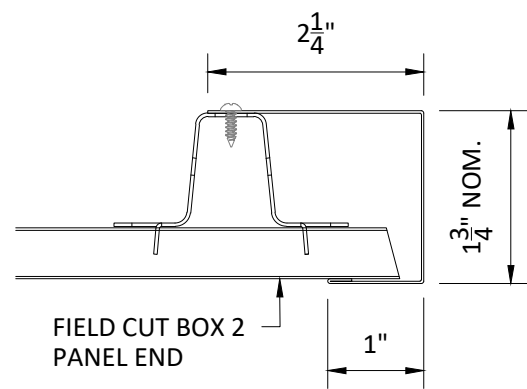
5015 Oakbrook Parkway, Suite 100
 Norcross, GA 30093
 O 800.366.4327
 F 770.806.0214
 CTSpecialtyCeilings.com

All rights reserved. This drawing is the property of CertainTeed Ceilings Corporation. It may not be copied or multiplied, neither wholly nor partly. It may not be submitted for perusal to third parties.

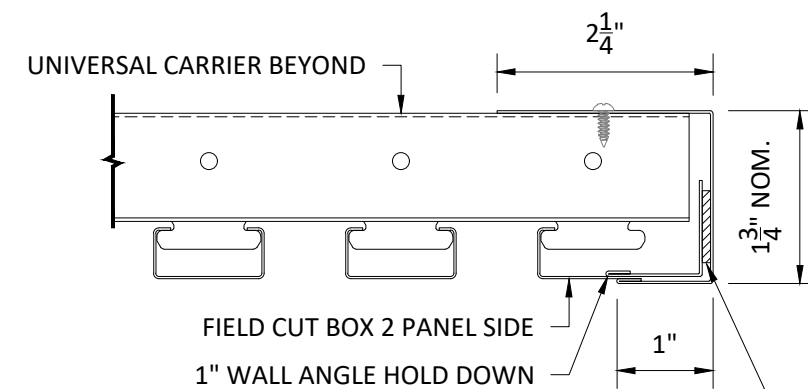
SPECIFICATIONS
 (unless noted otherwise)

MATERIAL: .020" | .025" ALUMINUM BOX 2 PANEL | .040" ALUMINUM
 UNIVERSAL CARRIER
 FINISH: PAINT | POWDER COAT | DECORATED WOOD FINISH | WOOD
 VENEER | LUXACOTE
 PERFORATION: NOT AVAILABLE

WALL ANGLE TRIM
 PROJECT: LINEAR BOX 2 PRODUCT SPECIFICATIONS
 DRAWING NUMBER: BOX-2-A1.6
 SCALE: AS SHOWN
 DRAWN BY: HD ENGINEERING
 DATE: 12/6/18

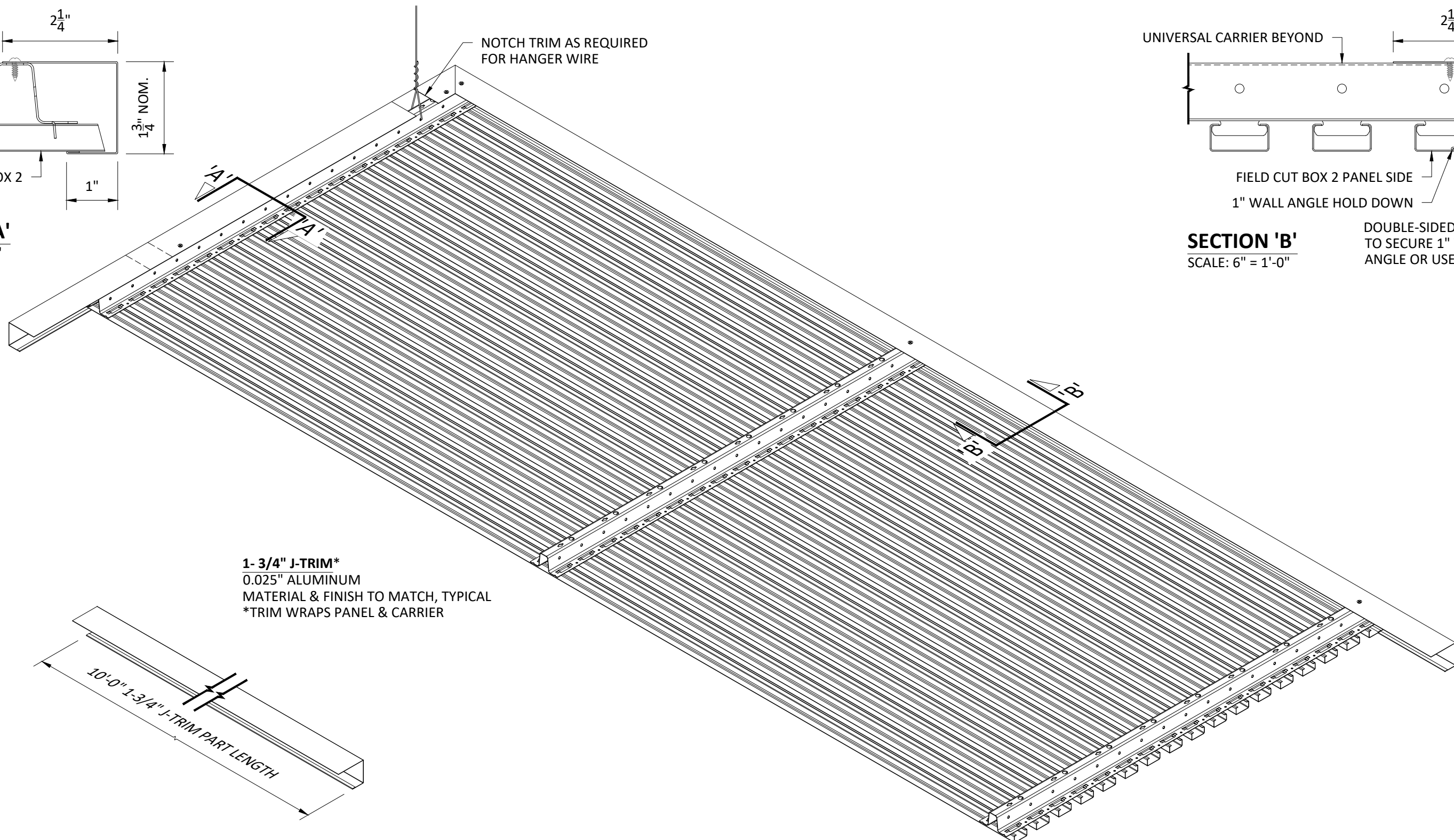


SECTION 'A'
SCALE: 6" = 1'-0"

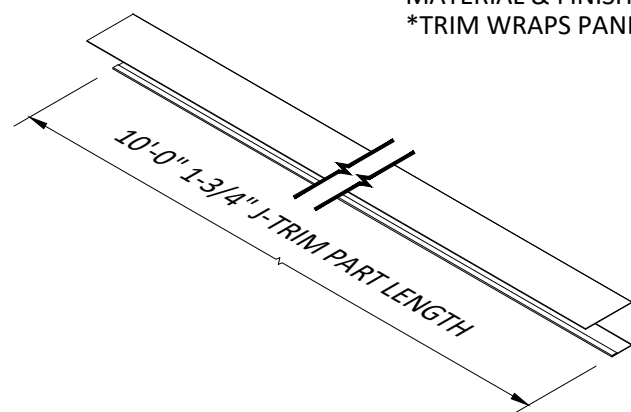


SECTION 'B'
SCALE: 6" = 1'-0"

DOUBLE-SIDED ADHESIVE TO SECURE 1" WALL ANGLE OR USE POP-RIVET



1- 3/4" J-TRIM*
0.025" ALUMINUM
MATERIAL & FINISH TO MATCH, TYPICAL
*TRIM WRAPS PANEL & CARRIER



INTERIOR INSTALLATION

*SOME HANGER WIRE IS OMITTED FOR CLARITY

HunterDouglas 
Ceiling & Wall Products
exclusively from CertainTeed

5015 Oakbrook Parkway, Suite 100
Norcross, GA 30093
O 800.366.4327
F 770.806.0214
CTSpecialtyCeilings.com

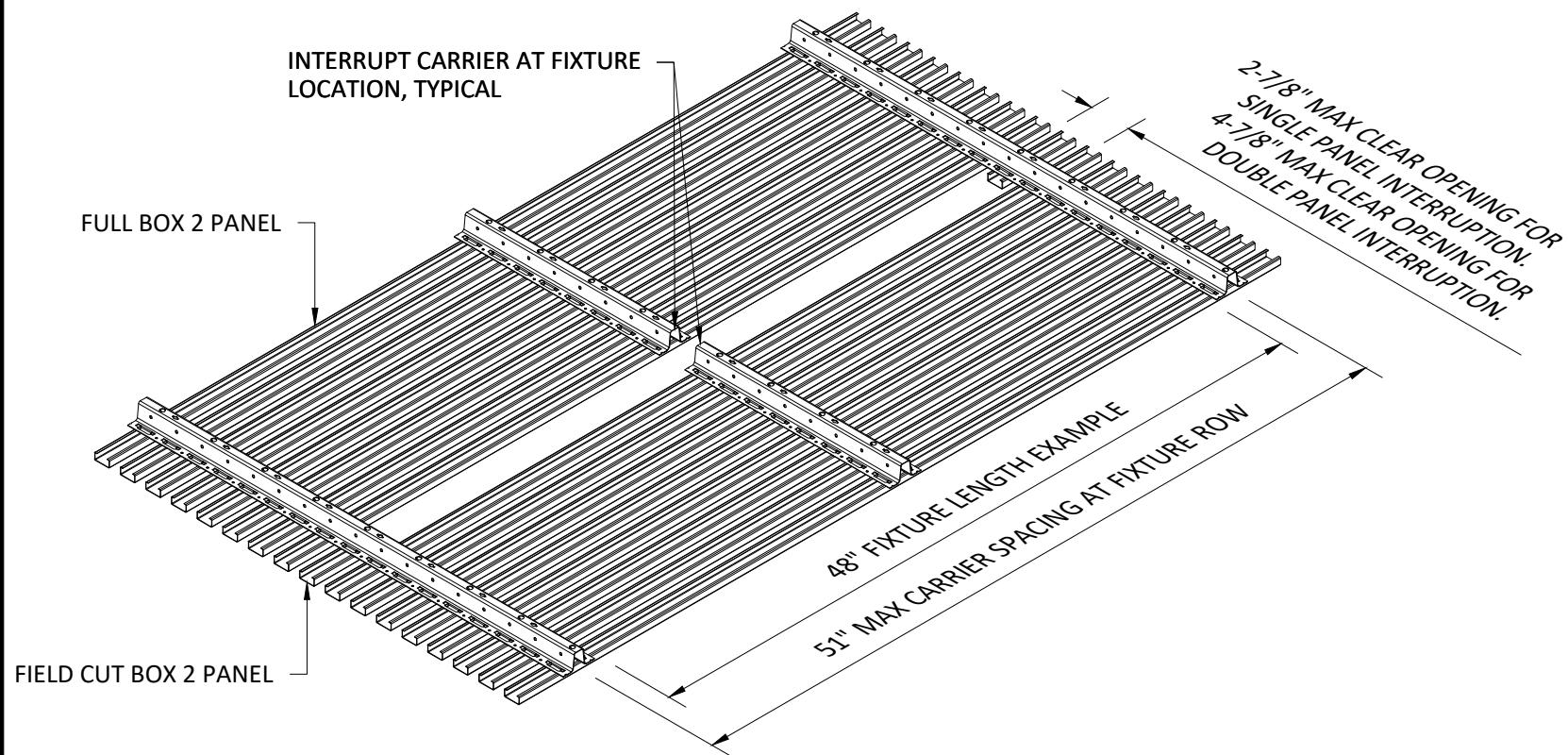
All rights reserved. This drawing is the property of CertainTeed Ceilings Corporation. It may not be copied or multiplied, neither wholly nor partly. It may not be submitted for perusal to third parties.

SPECIFICATIONS
(unless noted otherwise)

MATERIAL: .020" | .025" ALUMINUM BOX 2 PANEL | .040" ALUMINUM
UNIVERSAL CARRIER
FINISH: PAINT | POWDER COAT | DECORATED WOOD FINISH | WOOD
VENEER | LUXACOTE
PERFORATION: NOT AVAILABLE

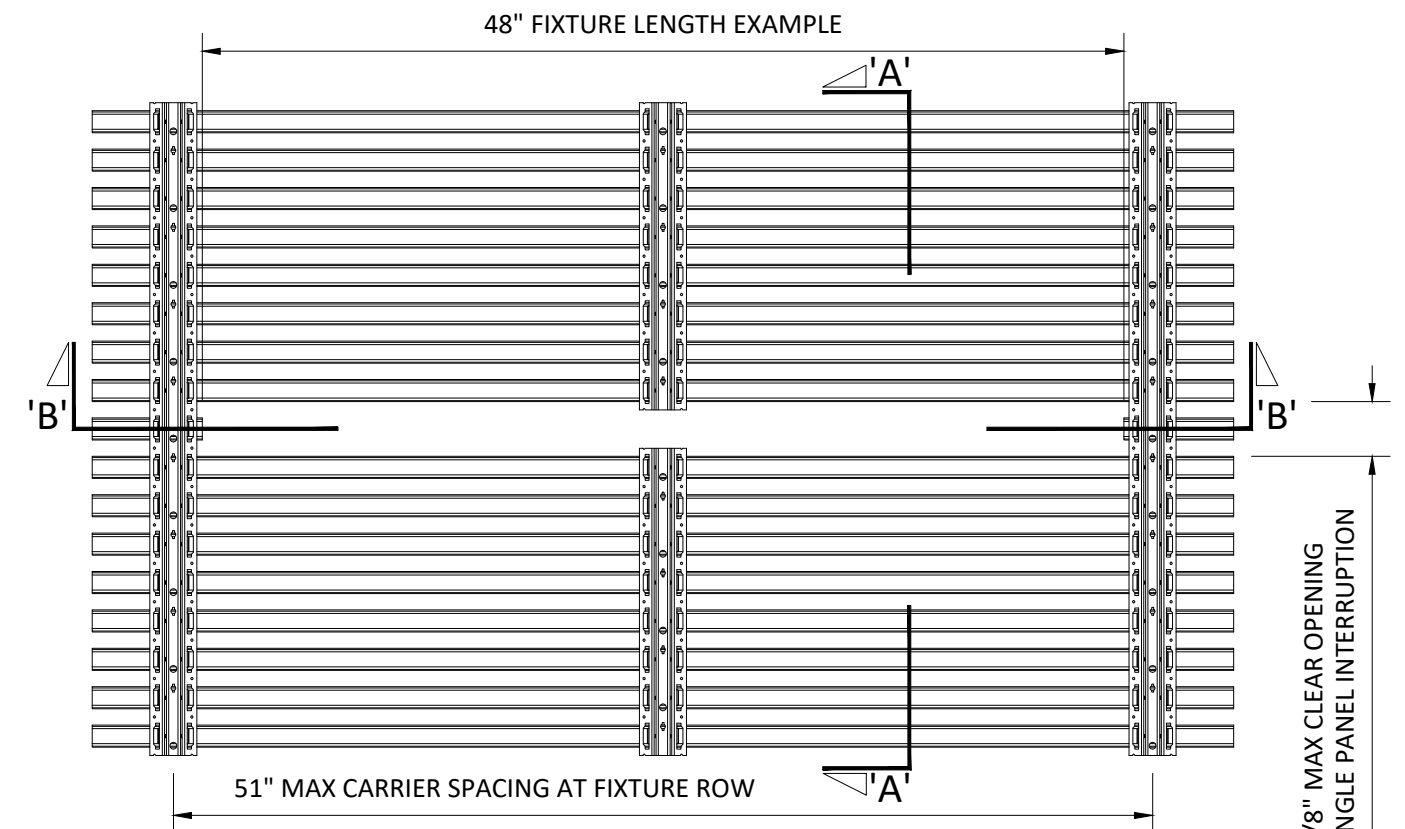
1 3/4" FLOATING J-TRIM

PROJECT: LINEAR BOX 2 PRODUCT SPECIFICATIONS
DRAWING NUMBER: BOX-2-A1.7
SCALE: AS SHOWN
DRAWN BY: HD ENGINEERING
DATE: 12/6/18



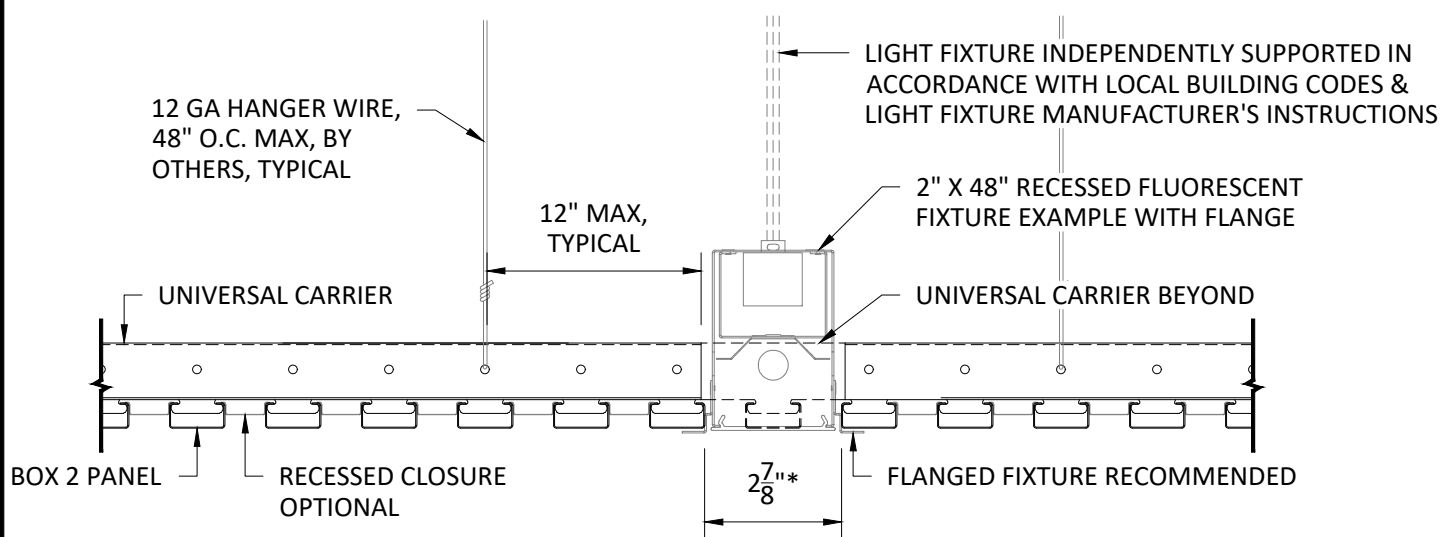
TYPICAL ISOMETRIC

SCALE: NOT TO SCALE



TOP VIEW

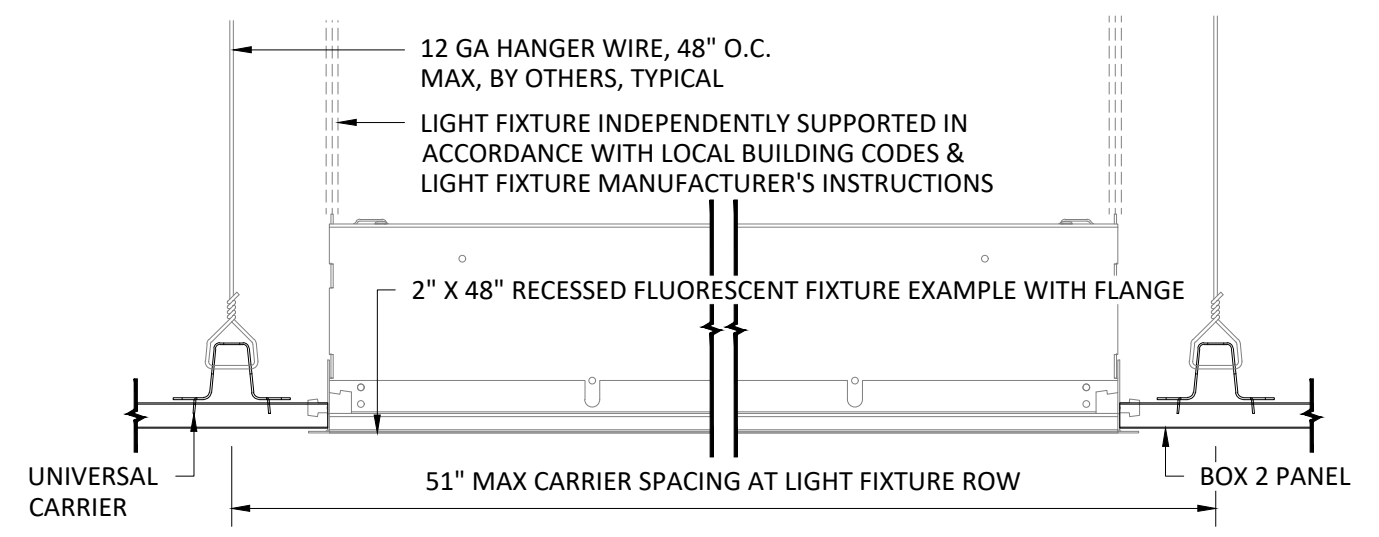
SCALE: NOT TO SCALE



SECTION 'A'

SCALE: 3" = 1'-0"

*2 7/8" MAX CLEAR OPENING, PANEL EDGE TO PANEL EDGE, FOR SINGLE PANEL INTERRUPTION.
*4 7/8" MAX CLEAR OPENING, PANEL EDGE TO PANEL EDGE, FOR DOUBLE PANEL INTERRUPTION.



SECTION 'B'

SCALE: 3" = 1'-0"

NOTE: FIXTURE WITH TRIM FLANGE NOT BY HUNTER DOUGLAS



5015 Oakbrook Parkway, Suite 100
Norcross, GA 30093
O 800.366.4327
F 770.806.0214
CTSpecialtyCeilings.com

All rights reserved. This drawing is the property of CertainTeed Ceilings Corporation. It may not be copied or multiplied, neither wholly nor partly. It may not be submitted for perusal to third parties.

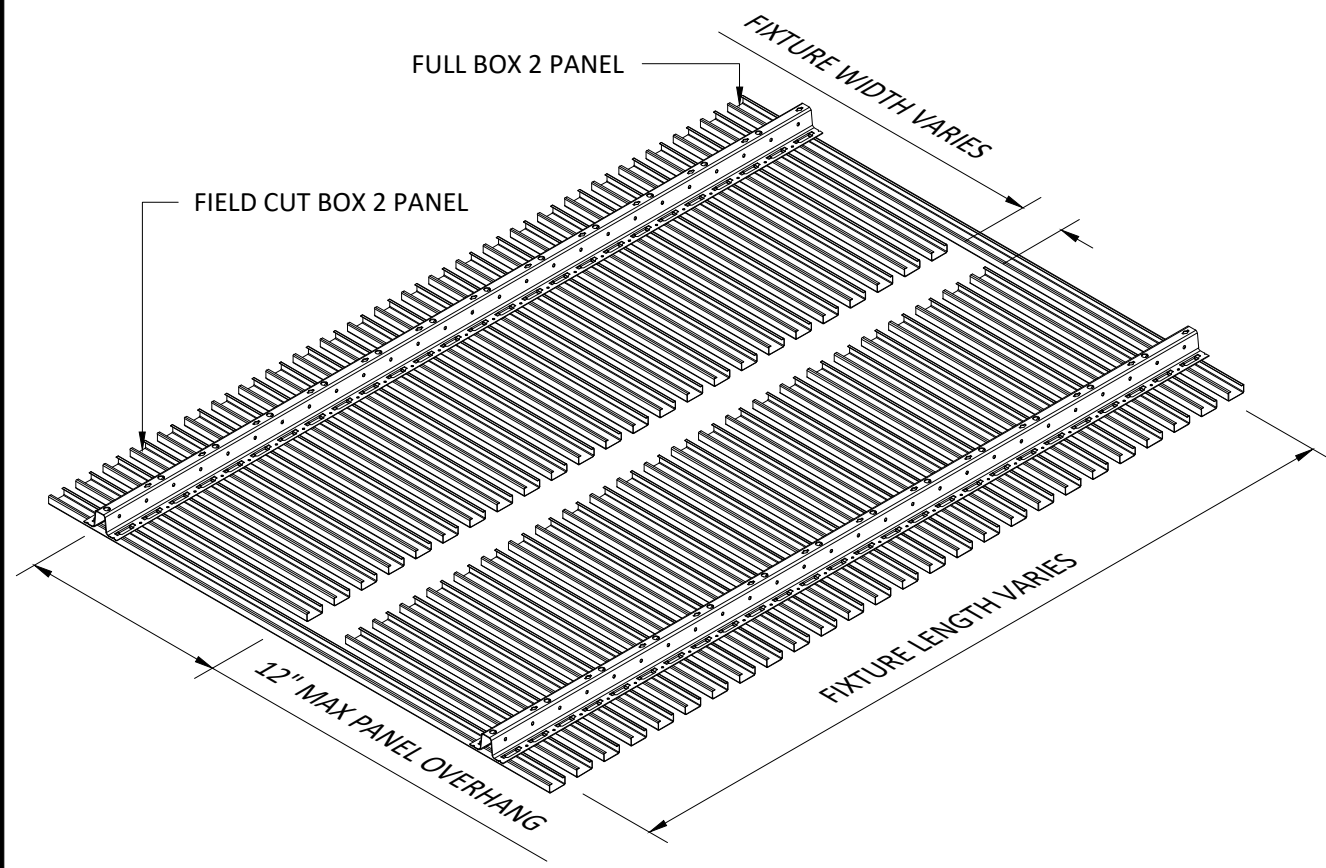
SPECIFICATIONS

(unless noted otherwise)

MATERIAL: .020" | .025" ALUMINUM BOX 2 PANEL | .040" ALUMINUM
UNIVERSAL CARRIER
FINISH: PAINT | POWDER COAT | DECORATED WOOD FINISH | WOOD
VENEER | LUXACOTE
PERFORATION: NOT AVAILABLE

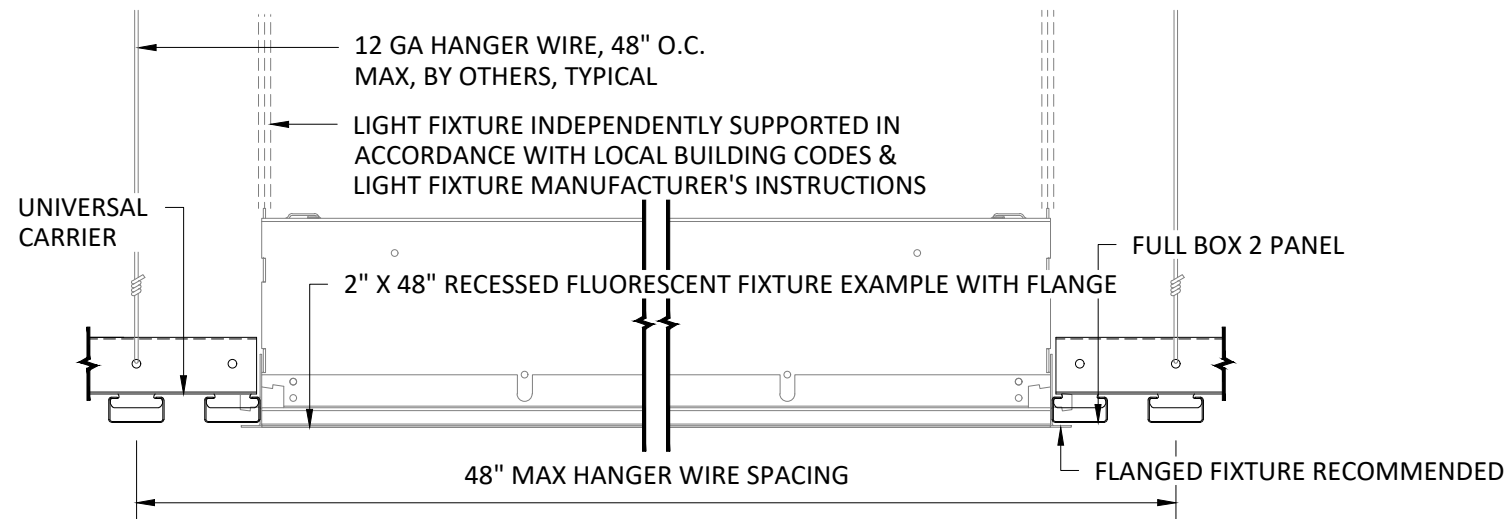
INTERRUPTED PANEL FOR TYPICAL FIXTURE

PROJECT: LINEAR BOX 2 PRODUCT SPECIFICATIONS
DRAWING NUMBER: BOX-2-A1.8
SCALE: AS SHOWN
DRAWN BY: HD ENGINEERING
DATE: 12/6/18



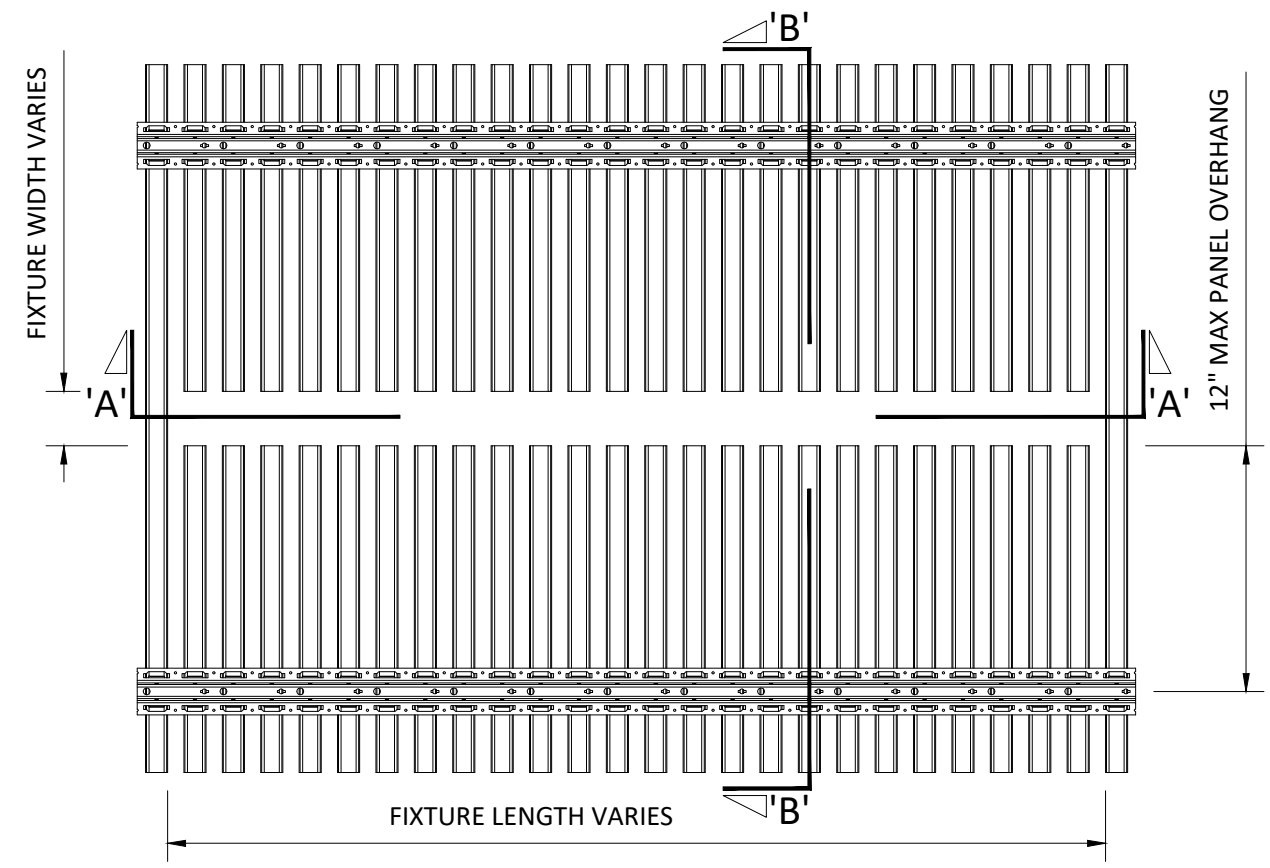
TYPICAL ISOMETRIC

SCALE: NOT TO SCALE



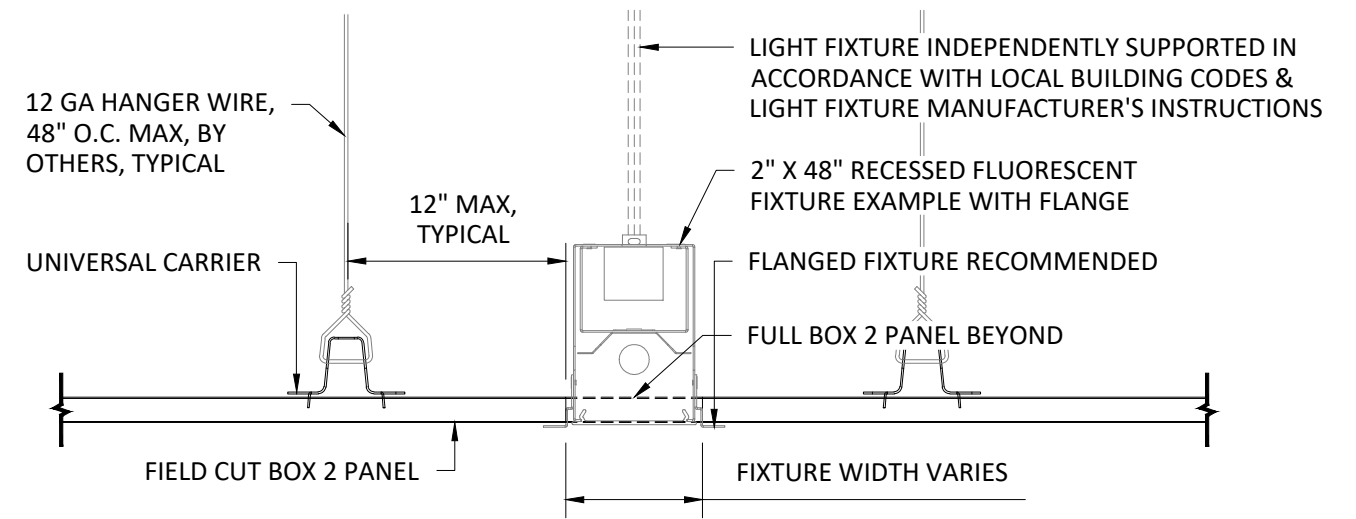
SECTION 'A'

SCALE: 3" = 1'-0"



TOP VIEW

SCALE: NOT TO SCALE



SECTION 'B'

SCALE: 3" = 1'-0"

NOTE: FIXTURE WITH TRIM FLANGE NOT BY HUNTER DOUGLAS



5015 Oakbrook Parkway, Suite 100
 Norcross, GA 30093
 O 800.366.4327
 F 770.806.0214
 CTSpecialtyCeilings.com

All rights reserved. This drawing is the property of CertainTeed Ceilings Corporation. It may not be copied or multiplied, neither wholly nor partly. It may not be submitted for perusal to third parties.

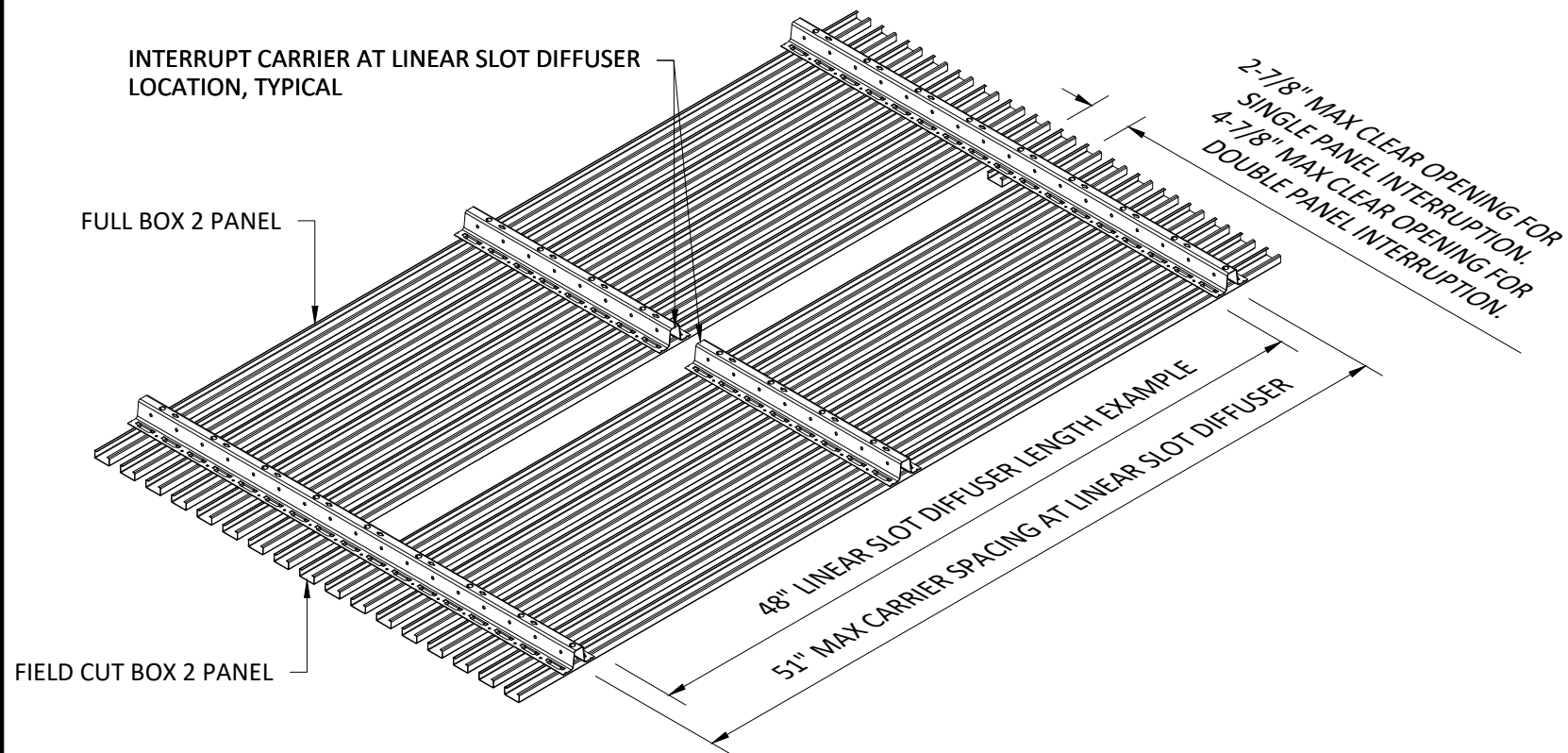
SPECIFICATIONS

(unless noted otherwise)

MATERIAL: .020" | .025" ALUMINUM BOX 2 PANEL | .040" ALUMINUM
 UNIVERSAL CARRIER
 FINISH: PAINT | POWDER COAT | DECORATED WOOD FINISH | WOOD
 VENEER | LUXACOTE
 PERFORATION: NOT AVAILABLE

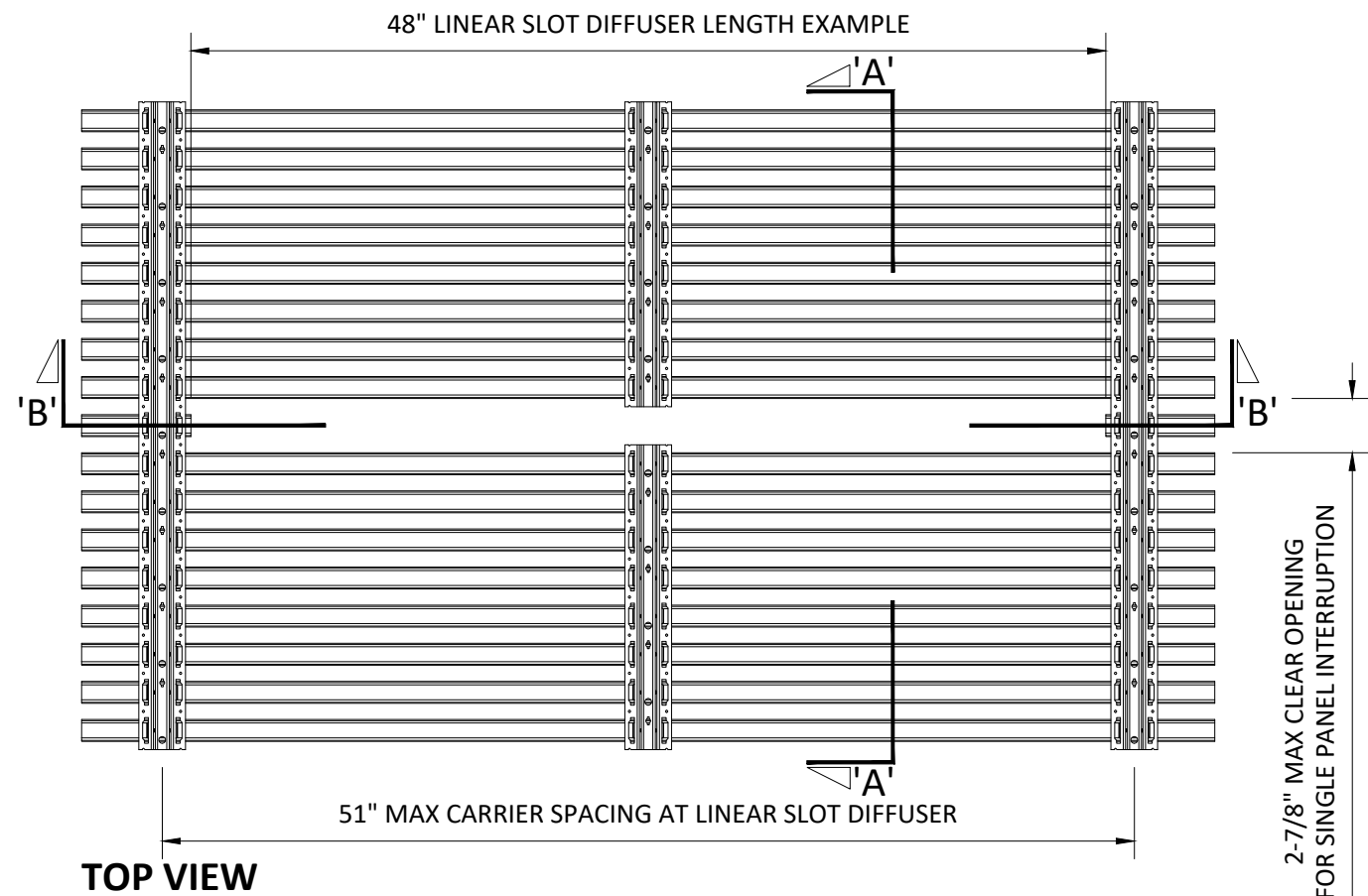
FIELD CUT PANEL FOR TYPICAL FIXTURE

PROJECT: LINEAR BOX 2 PRODUCT SPECIFICATIONS
 DRAWING NUMBER: BOX-2-A1.9
 SCALE: AS SHOWN
 DRAWN BY: HD ENGINEERING
 DATE: 12/6/18



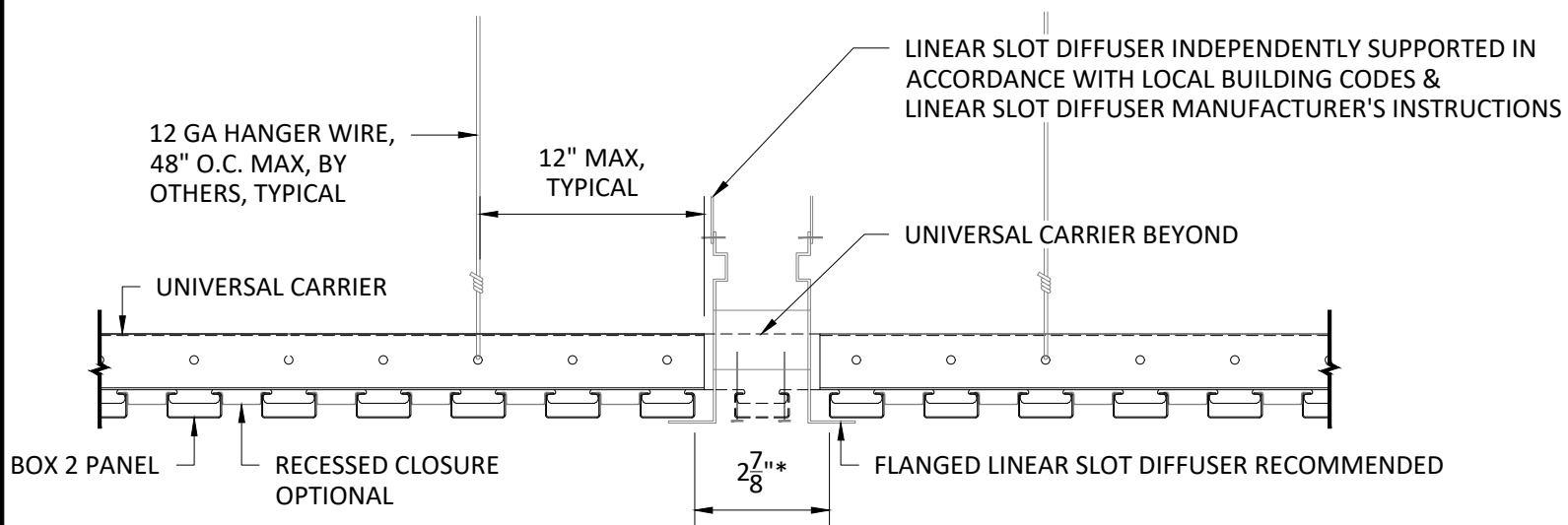
TYPICAL ISOMETRIC

SCALE: NOT TO SCALE



TOP VIEW

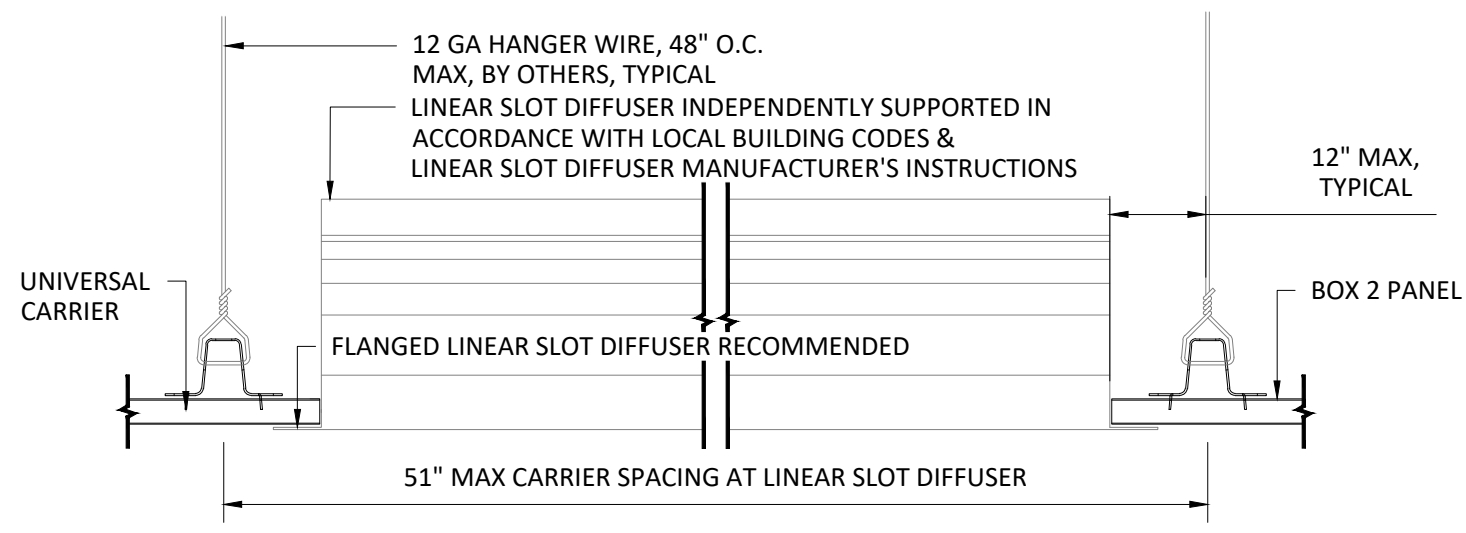
SCALE: NOT TO SCALE



SECTION 'A'

SCALE: 3" = 1'-0"

*2 $\frac{7}{8}$ " MAX CLEAR OPENING, PANEL EDGE TO PANEL EDGE, FOR SINGLE PANEL INTERRUPTION.
 *4 $\frac{7}{8}$ " MAX CLEAR OPENING, PANEL EDGE TO PANEL EDGE, FOR DOUBLE PANEL INTERRUPTION.



SECTION 'B'

SCALE: 3" = 1'-0"

NOTE: DIFFUSER WITH TRIM FLANGE NOT BY HUNTER DOUGLAS

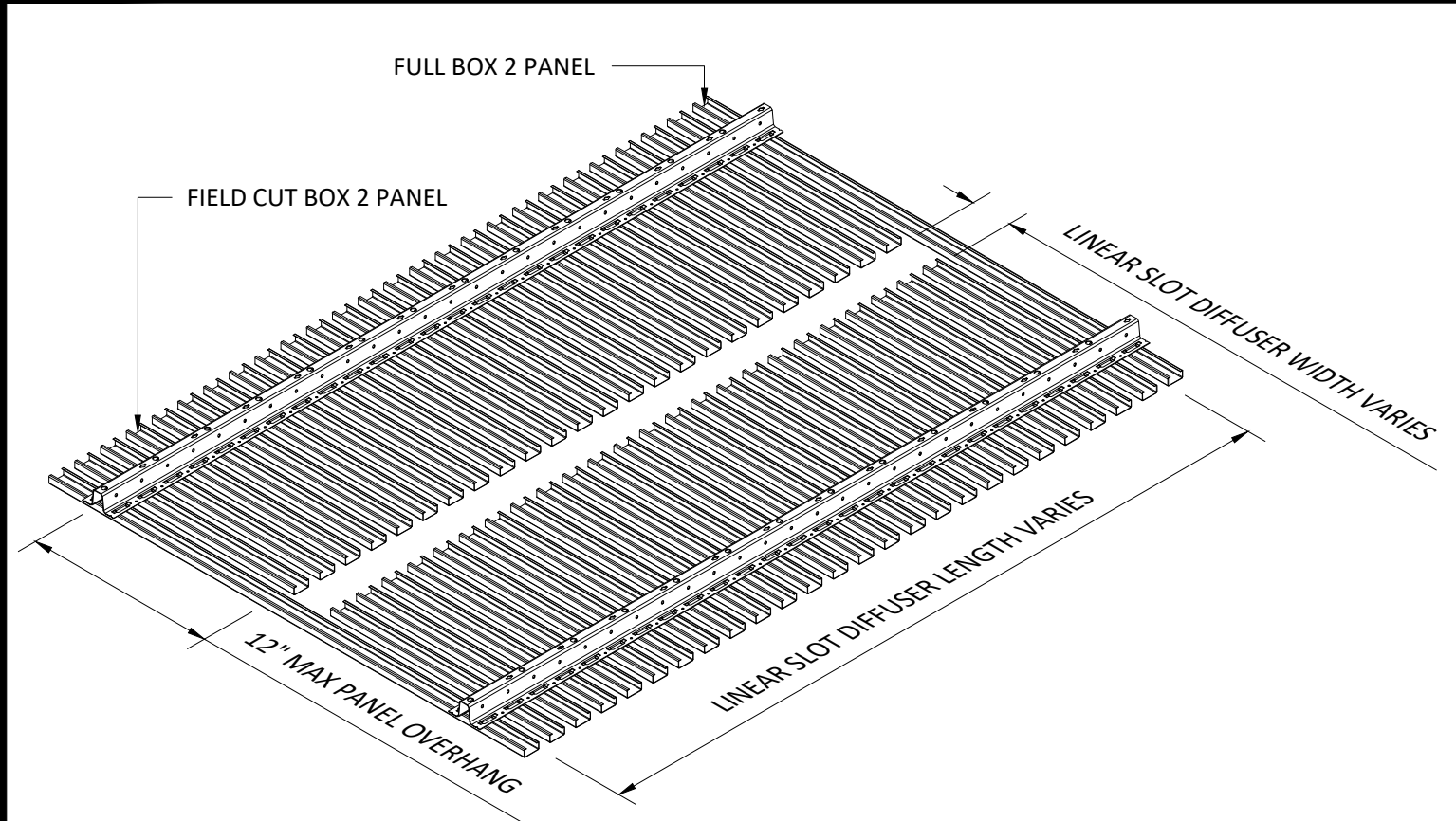
SPECIFICATIONS

(unless noted otherwise)

MATERIAL: .020" | .025" ALUMINUM BOX 2 PANEL | .040" ALUMINUM
 UNIVERSAL CARRIER
 FINISH: PAINT | POWDER COAT | DECORATED WOOD FINISH | WOOD
 VENEER | LUXACOTE
 PERFORATION: NOT AVAILABLE

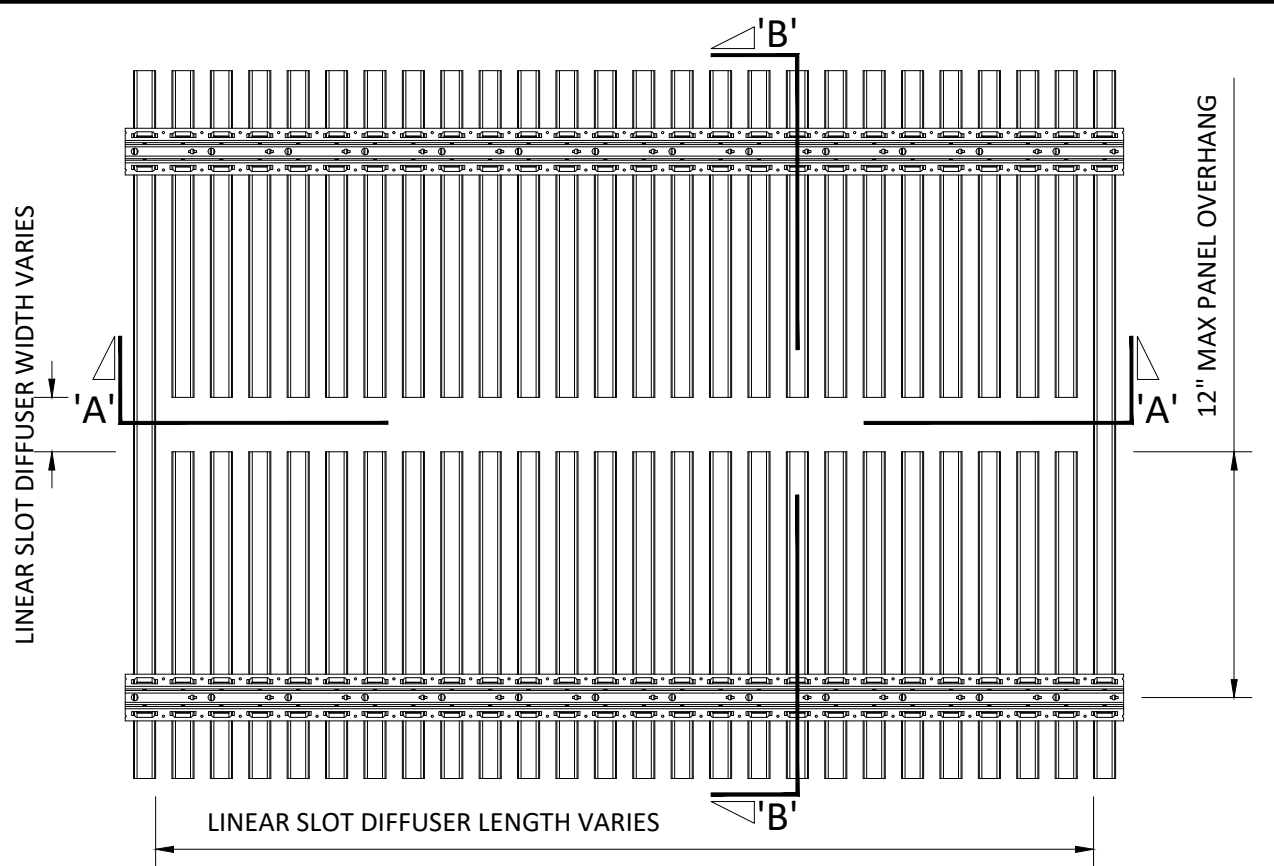
INTERRUPTED PANEL FOR TYPICAL DIFFUSER

PROJECT: LINEAR BOX 2 PRODUCT SPECIFICATIONS
 DRAWING NUMBER: BOX-2-A1.10
 SCALE: AS SHOWN
 DRAWN BY: HD ENGINEERING
 DATE: 12/6/18



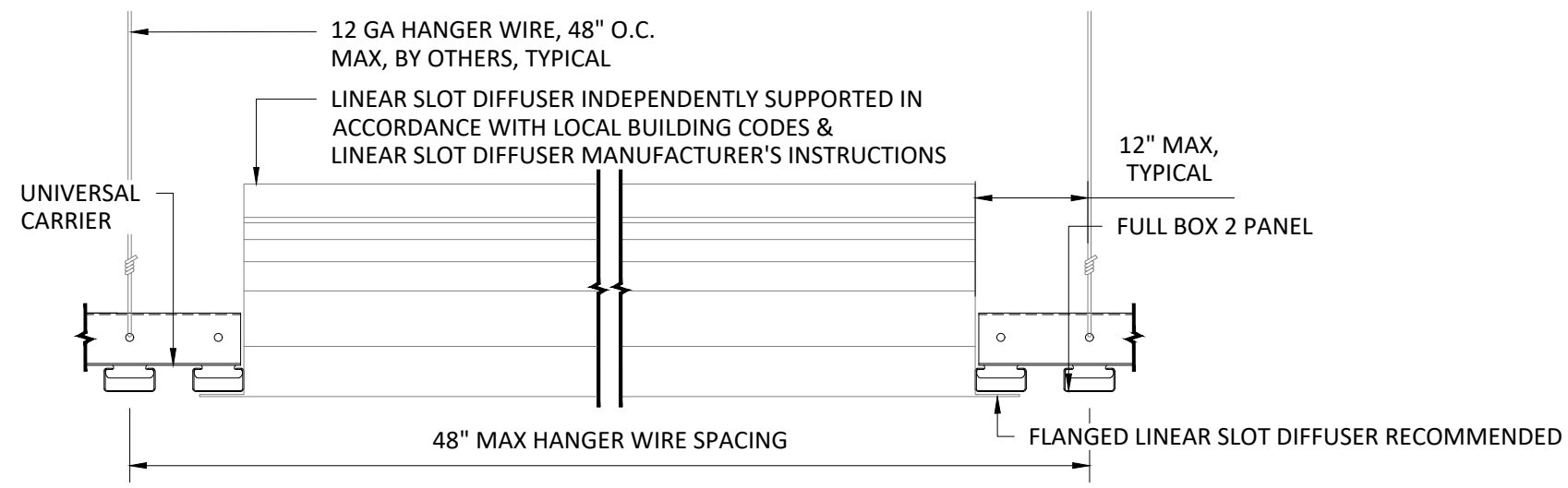
TYPICAL ISOMETRIC

SCALE: NOT TO SCALE



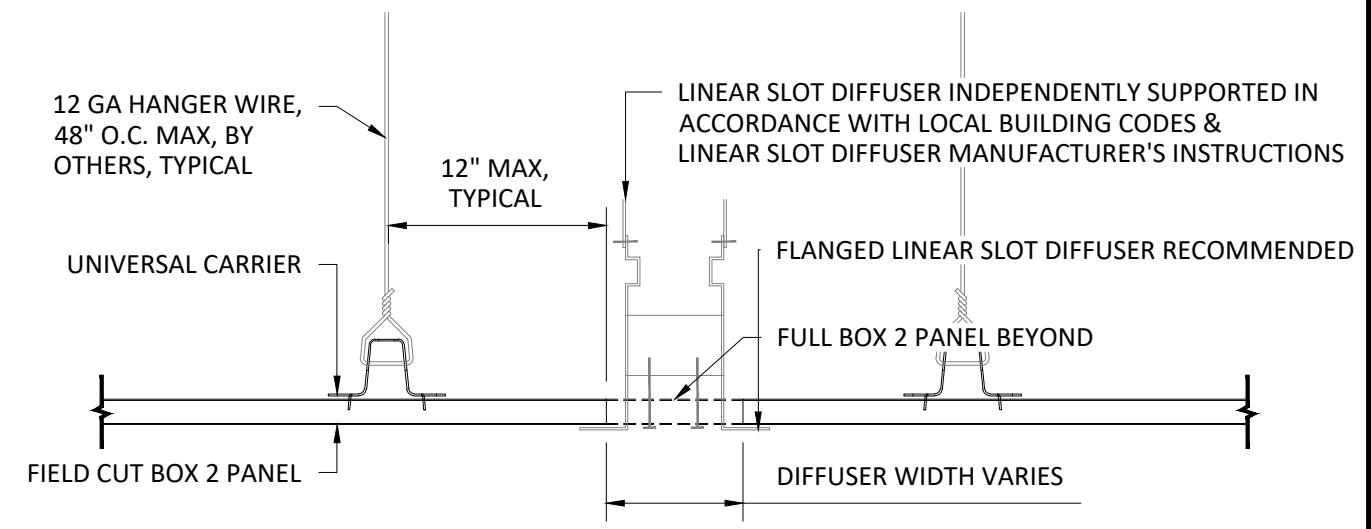
TOP VIEW

SCALE: NOT TO SCALE



SECTION 'A'

SCALE: 3" = 1'-0"



SECTION 'B'

SCALE: 3" = 1'-0"

NOTE: DIFFUSER WITH TRIM FLANGE NOT BY HUNTER DOUGLAS

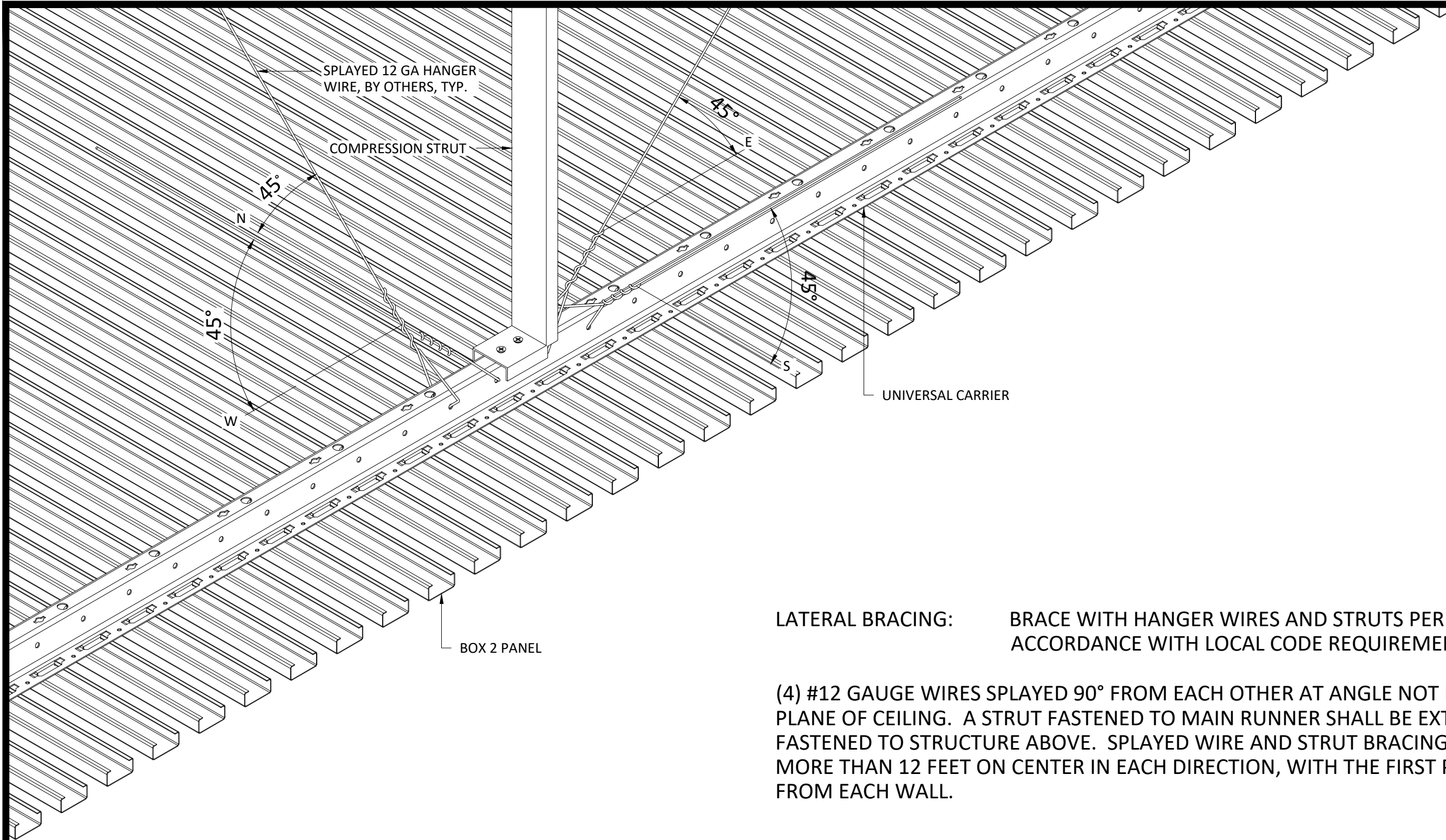


5015 Oakbrook Parkway, Suite 100
 Norcross, GA 30093
 O 800.366.4327
 F 770.806.0214
 CTSpecialtyCeilings.com

All rights reserved. This drawing is the property of CertainTeed Ceilings Corporation. It may not be copied or multiplied, neither wholly nor partly. It may not be submitted for perusal to third parties.

SPECIFICATIONS
 (unless noted otherwise)
 MATERIAL: .020" | .025" ALUMINUM BOX 2 PANEL | .040" ALUMINUM
 UNIVERSAL CARRIER
 FINISH: PAINT | POWDER COAT | DECORATED WOOD FINISH | WOOD
 VENEER | LUXACOTE
 PERFORATION: NOT AVAILABLE

FIELD CUT PANEL FOR TYPICAL DIFFUSER
 PROJECT: LINEAR BOX 2 PRODUCT SPECIFICATIONS
 DRAWING NUMBER: BOX-2-A1.11
 SCALE: AS SHOWN
 DRAWN BY: HD ENGINEERING
 DATE: 12/6/18



LATERAL BRACING: BRACE WITH HANGER WIRES AND STRUTS PER ASTM E-580 AND IN ACCORDANCE WITH LOCAL CODE REQUIREMENTS.

(4) #12 GAUGE WIRES SPLAYED 90° FROM EACH OTHER AT ANGLE NOT EXCEEDING 45° FROM PLANE OF CEILING. A STRUT FASTENED TO MAIN RUNNER SHALL BE EXTENDED TO AND FASTENED TO STRUCTURE ABOVE. SPLAYED WIRE AND STRUT BRACING TO BE PLACED NOT MORE THAN 12 FEET ON CENTER IN EACH DIRECTION, WITH THE FIRST POINT WITHIN 6 FEET FROM EACH WALL.

INTERIOR INSTALLATION

HunterDouglas 
Ceiling & Wall Products
 exclusively from CertainTeed

5015 Oakbrook Parkway, Suite 100
 Norcross, GA 30093
 O 800.366.4327
 F 770.806.0214
 CTSpecialtyCeilings.com

All rights reserved. This drawing is the property of CertainTeed Ceilings Corporation. It may not be copied or multiplied, neither wholly nor partly. It may not be submitted for perusal to third parties.

SPECIFICATIONS
 (unless noted otherwise)

MATERIAL: .020" | .025" ALUMINUM BOX 2 PANEL | .040" ALUMINUM
 UNIVERSAL CARRIER
 FINISH: PAINT | POWDER COAT | DECORATED WOOD FINISH | WOOD
 VENEER | LUXACOTE
 PERFORATION: NOT AVAILABLE

SEISMIC SPECIFICATION

PROJECT: LINEAR BOX 2 PRODUCT SPECIFICATIONS
 DRAWING NUMBER: BOX-2-A1.12
 SCALE: AS SHOWN
 DRAWN BY: HD ENGINEERING
 DATE: 12/6/18