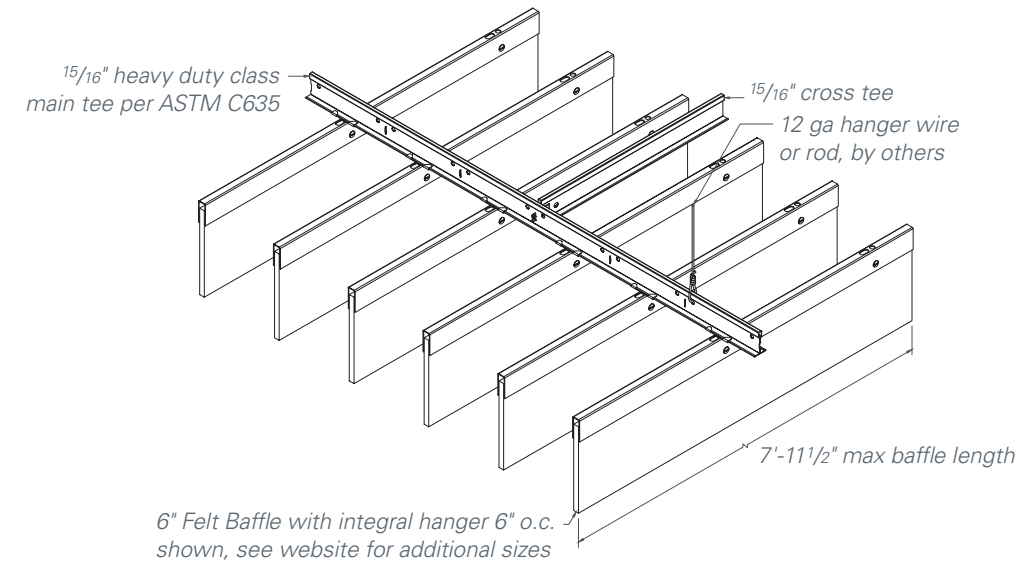
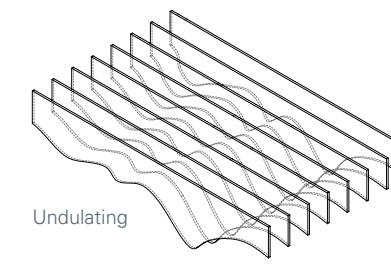
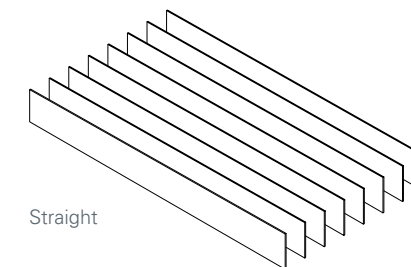


TYPICAL ISOMETRICS



CONFIGURATION SUGGESTIONS

Additional configurations are available. Contact your local sales rep to create your own unique design.



DIMENSIONS

Baffles

Height*: 6" up to 24"
 Length: 1' up to 8' (nominal)
 Thickness: 3/8" (nominal)

(*additional heights available – contact local sales rep)

KEY FEATURES

- Pre-assembled - ready to install
- No drilling or field cutting required
- Lightweight – easy to handle
- High acoustical performance – up to 0.64 Sabin/sf
- Custom-designed shapes and sizes
- 18 standard colors
- Bracket colors available in black, white and natural
- Easy plenum access
- Interior application
- 100% recyclable and 60% recycled content
- Class A Fire Rated per ASTM E84
- GREENGUARD Gold certified

PHYSICAL DATA

Substrate: PET Recycled Felt
Warranty: 1 year
Seismic: Felt Ceilings - Baffles are suitable for installation in Seismic areas when installed in accordance with local code requirements
Fire rating: Class A Fire Rated per ASTM E84
 – Flame spread: ≤ 25, Smoke ≤ 250
Weight: Varies
Wind load: N/A
Recycled content: 60% recycled and 100% recyclable
Light reflectance (LR): Varies with color selected

LEED V4 CREDITS

MR: Building Product Disclosure
 EQ: Low-Emitting Materials
 EQ: Indoor Air Quality Assessment
 EQ: Acoustic Performance

CERTIFICATIONS

GREENGUARD Gold Certified

FELT CEILINGS

BAFFLES

STANDARD COLORS

To request samples, contact us at 800.366.4327. See website for the most up to date information. Colors are for illustration purposes only, sample color and texture may vary. Bracket colors available in black, white and natural.



Given the unique and special nature of our FELT ceiling product, steps should be taken (before and during installation, as well as over the lifetime of the ceiling) to avoid or minimize static and the accumulation of dust, lint, dirt or airborne particles on or around the felt. Manufacturer does not warrant against or take responsibility for any such static or accumulation.

ACOUSTICAL TEST RESULTS

Sound absorption of up to 0.64 Sabins/SF
Baffle dimensions: 3/8" (nominal) thick x 9" height

BAFFLES

Spacing	Apparent NRC	Apparent SAA	Sabins/SF
12" o.c.	0.65	0.63	0.64
6" o.c.	0.70	0.69	0.48

Tests conducted in accordance with ASTM C423 and E795, with mounting type "J".

