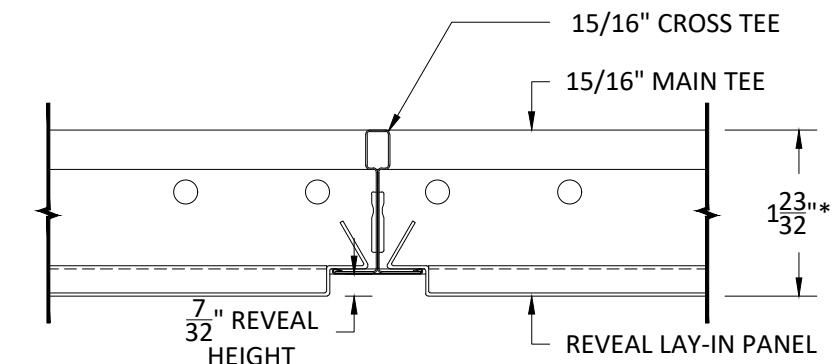
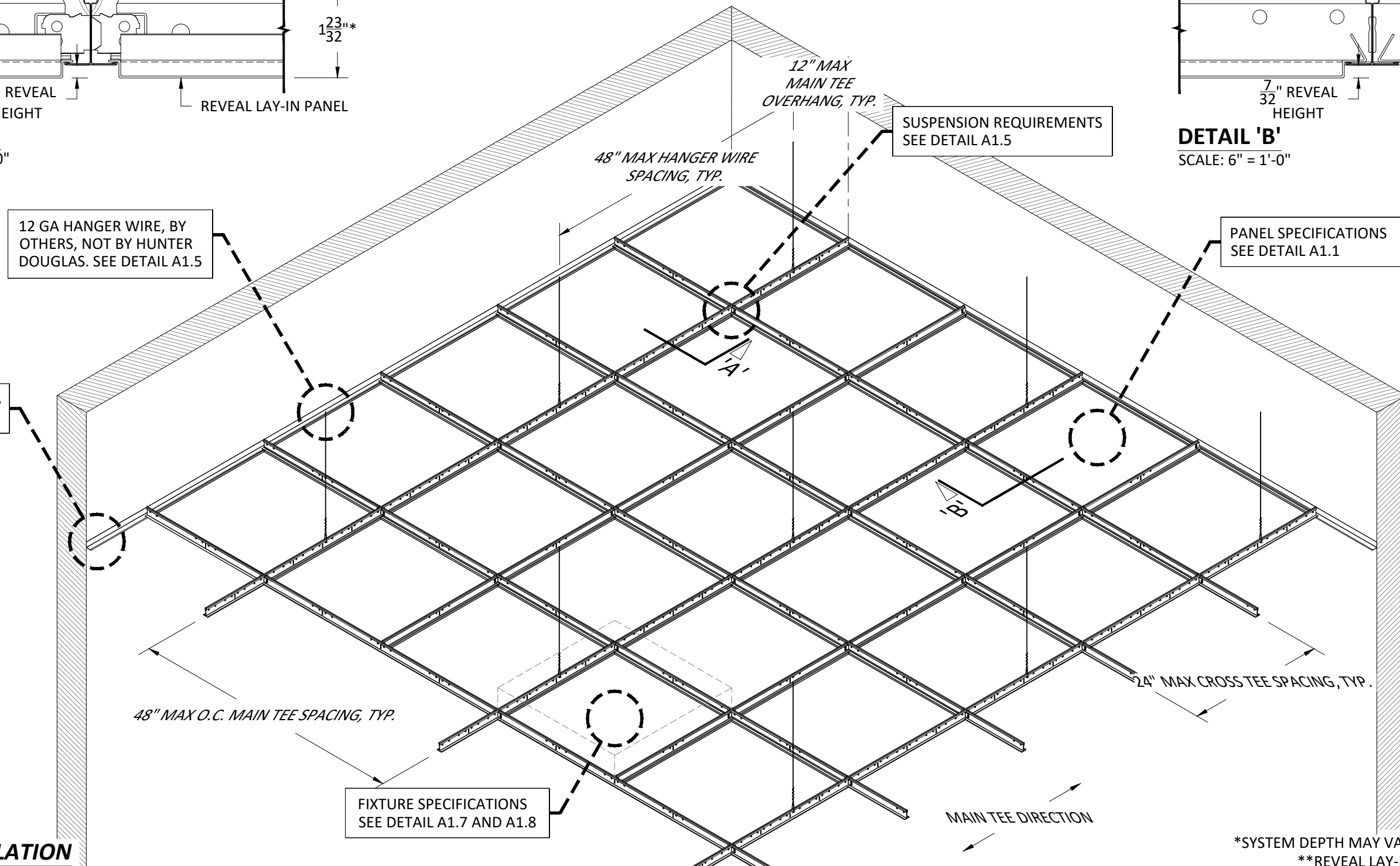


**DETAIL 'A'**  
SCALE: 6" = 1'-0"



**DETAIL 'B'**  
SCALE: 6" = 1'-0"



**INTERIOR INSTALLATION**

\*SYSTEM DEPTH MAY VARY DEPENDING ON HEIGHT OF GRID  
\*\*REVEAL LAY-IN PANELS FOR 15/16" GRID SHOWN

**HunterDouglas**   
**Ceiling & Wall Products**  
exclusively from CertainTeed

5015 Oakbrook Parkway, Suite 100  
Norcross, GA 30093  
O 800.366.4327  
F 770.806.0214  
CTSpecialtyCeilings.com

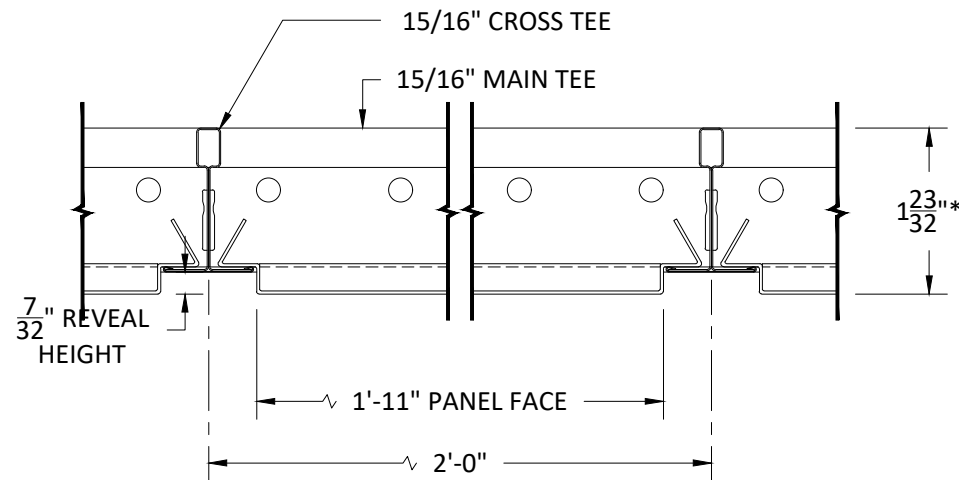
*All rights reserved. This drawing is the property of CertainTeed Ceilings Corporation. It may not be copied or multiplied, neither wholly nor partly. It may not be submitted for perusal to third parties.*

**SPECIFICATIONS**  
(unless noted otherwise)

MATERIAL: .032" | .040" ALUMINUM  
FINISH: PAINT | POWDER COAT | DECORATED WOOD FINISH | WOOD VENEER  
PERFORATION: SEE DETAIL A1.1 THIS SET

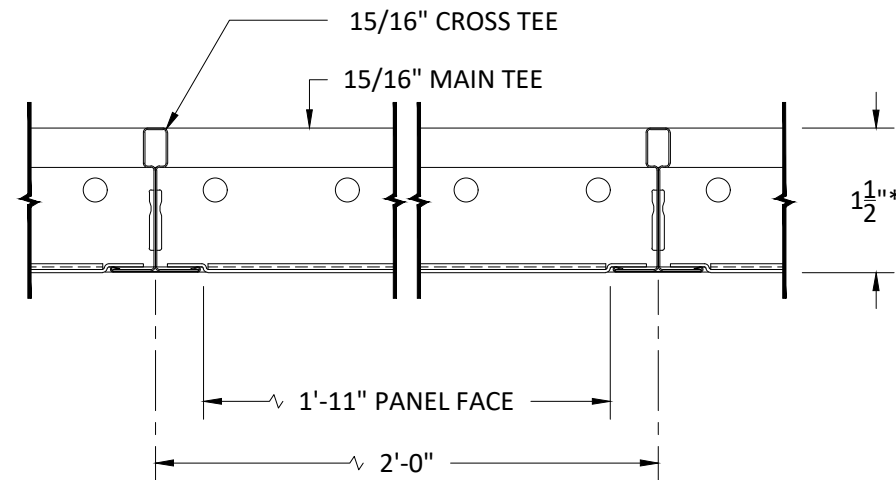
**OVERALL ISOMETRIC VIEW**

PROJECT: LAY-IN PRODUCT SPECIFICATIONS  
DRAWING NUMBER: LAY-IN-A1.0  
SCALE: AS SHOWN  
DRAWN BY: HD ENGINEERING  
DATE: 2/21/19



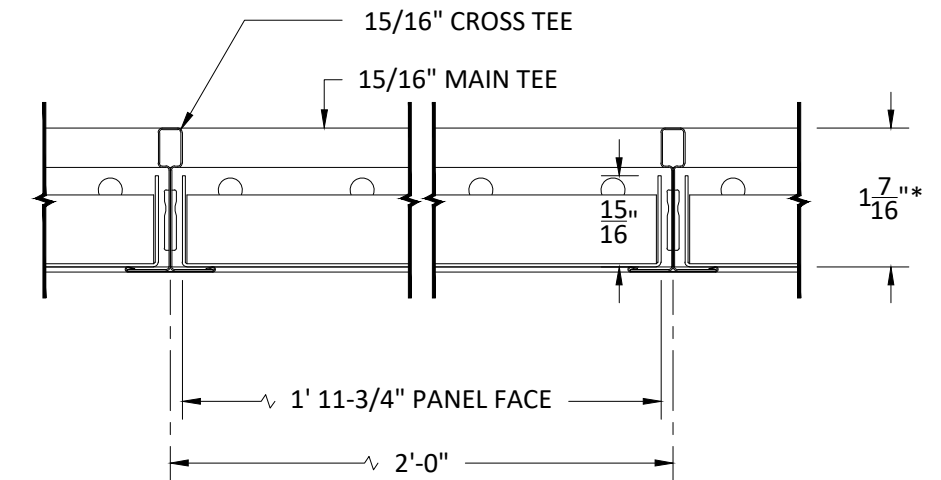
**REVEAL LAY-IN**

SCALE: 6" = 1'-0"



**FLUSH REVEAL LAY-IN**

SCALE: 6" = 1'-0"



**SQUARE LAY-IN**

SCALE: 6" = 1'-0"

**PANEL CONFIGURATIONS:**

- 24" BY 24" AND 24" BY 48" PANEL SIZES
- OTHER SIZES AVAILABLE, CONTACT HUNTER DOUGLAS

**MATERIAL THICKNESS**

- LAY-IN TILE: .032" ALUMINUM
- LAY-IN PLANK: .032" OR .040" ALUMINUM

**PANEL FINISHES**

- PAINTED & POWDER COATED
- DECORATED WOOD FINISH (POWDER COATED)
- WOOD VENEER
- SEE TABLE BELOW FOR PERFORATION OPTIONS

HUNTER DOUGLAS LAY-IN PANELS ARE DESCRIBED AS METAL PANELS 24" TO 48" IN LENGTH. CONSTRUCTED AS DETAILED IN THIS SET. LAY-IN PANELS OR PLANKS ARE DESIGNED TO BE INSTALLED ON 9/16" OR 15/16" T-GRID SUSPENSION SYSTEM.

FOR PANEL SIZES OTHER THAN 24" BY 24" AND 24" BY 48", PLEASE CONTACT HUNTER DOUGLAS.

PERFORATION OPTIONS*							
PERFORATION	MAX LENGTH	PERFORATION	MAX LENGTH	PERFORATION	MAX LENGTH	PERFORATION	MAX LENGTH
102 (14.0% OPEN)	120"	112 (7.0% OPEN)	120"	150 (4.0% OPEN)	120"	315 (6.25% OPEN)	120"
103 (20.0% OPEN)	120"	114 (5.0% OPEN)	120"	185 (3.1% OPEN)	24"	350 (70.0% OPEN)	24"
106 (16.0% OPEN)	120"	119 (8.0% OPEN)	120"	201 (19.6% OPEN)	120"	355 (18.0% OPEN)	120"
107 (28.0% OPEN)	72"***	122 (5.5% OPEN)	120"	202 (5.43% OPEN)	120"	375 (25.0% OPEN)	120"
109 (36.0% OPEN)	72"	125 (13.0% OPEN)	120"	301 (11.0% OPEN)	120"	625 (19.5% OPEN)	120"
110 (36.0% OPEN)	60"	127 (25.0% OPEN)	96"	312 (33.0% OPEN)	60"	750 (19.2% OPEN)	120"
111 (4.0% OPEN)	120"	132 (20.0% OPEN)	72"	314 (25.0% OPEN)	120"		
*1/4" NOM. NON-PERFORATED BORDER, TYPICAL				**PANEL SIZE LIMITED TO 8 SQUARE FEET			

**INTERIOR INSTALLATION**

\*SYSTEM DEPTH MAY VARY DEPENDING ON HEIGHT OF GRID

\*\*LAY-IN PANELS FOR 15/16" GRID SHOWN



5015 Oakbrook Parkway, Suite 100  
 Norcross, GA 30093  
 O 800.366.4327  
 F 770.806.0214  
 CTSpecialtyCeilings.com

*All rights reserved. This drawing is the property of CertainTeed Ceilings Corporation. It may not be copied or multiplied, neither wholly nor partly. It may not be submitted for perusal to third parties.*

**SPECIFICATIONS**

(unless noted otherwise)

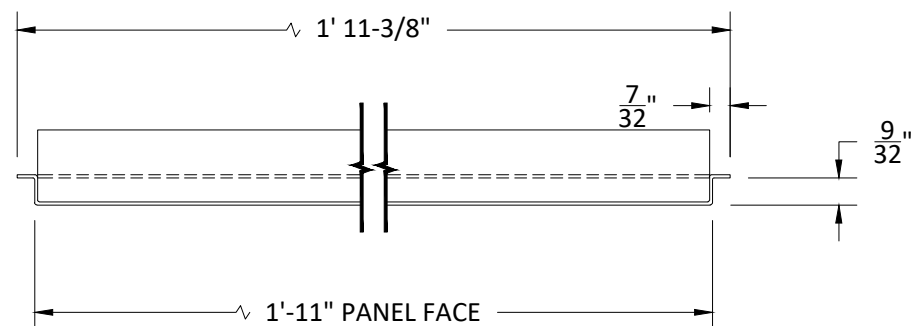
MATERIAL: .032" | .040" ALUMINUM  
 FINISH: PAINT | POWDER COAT | DECORATED WOOD FINISH | WOOD VENEER  
 PERFORATION: SEE TABLE ABOVE

**PANEL SPECIFICATIONS**

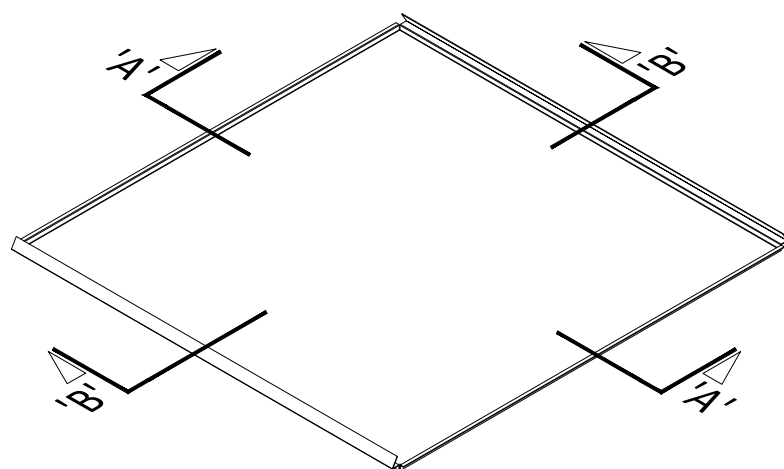
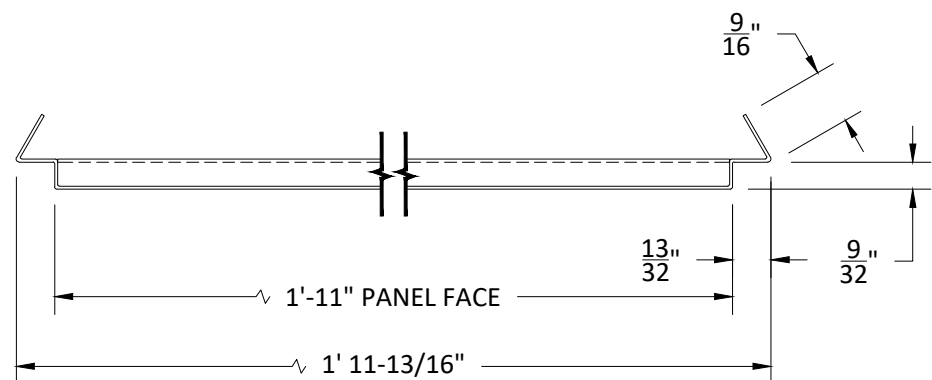
PROJECT: LAY-IN PRODUCT SPECIFICATIONS  
 DRAWING NUMBER: LAY-IN-A1.1  
 SCALE: AS SHOWN  
 DRAWN BY: HD ENGINEERING  
 DATE: 2/21/19

**2' x 2' PANEL**

**SECTION 'A'**  
SCALE: 6" = 1'-0"

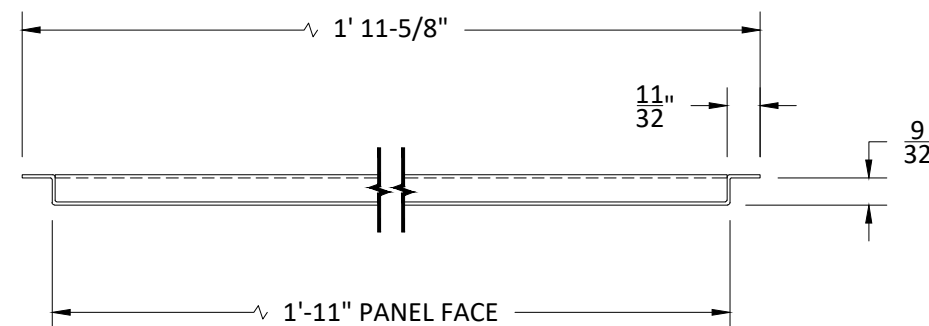


**SECTION 'B'**  
SCALE: 6" = 1'-0"

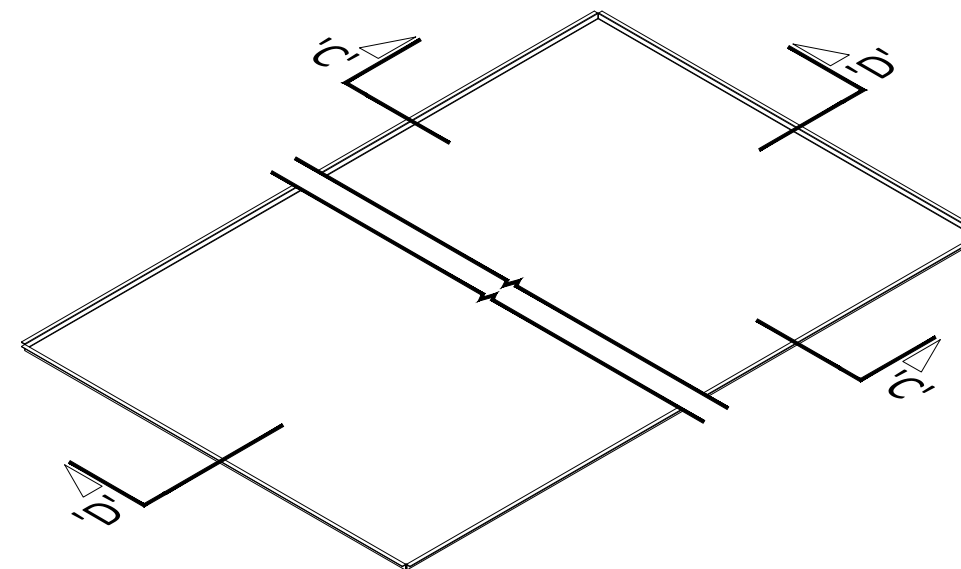
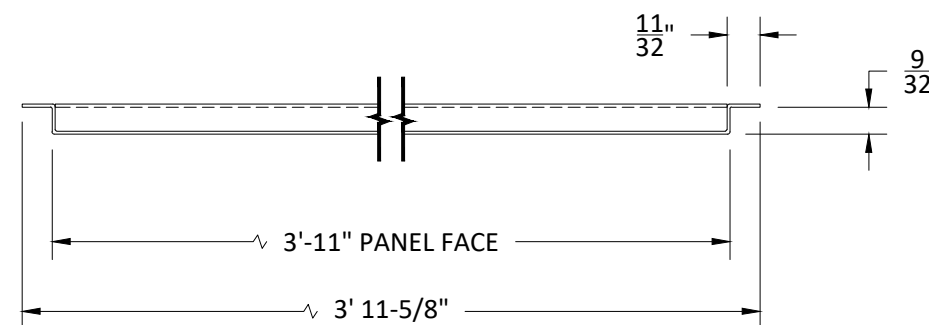


**2' x 4' PANEL**

**SECTION 'C'**  
SCALE: 6" = 1'-0"



**SECTION 'D'**  
SCALE: 6" = 1'-0"



**INTERIOR INSTALLATION**

\*REVEAL LAY-IN PANELS FOR 15/16" GRID SHOWN

**HunterDouglas**   
**Ceiling & Wall Products**  
exclusively from CertainTeed

5015 Oakbrook Parkway, Suite 100  
Norcross, GA 30093  
O 800.366.4327  
F 770.806.0214  
CTSpecialtyCeilings.com

*All rights reserved. This drawing is the property of CertainTeed Ceilings Corporation. It may not be copied or multiplied, neither wholly nor partly. It may not be submitted for perusal to third parties.*

**SPECIFICATIONS**  
(unless noted otherwise)

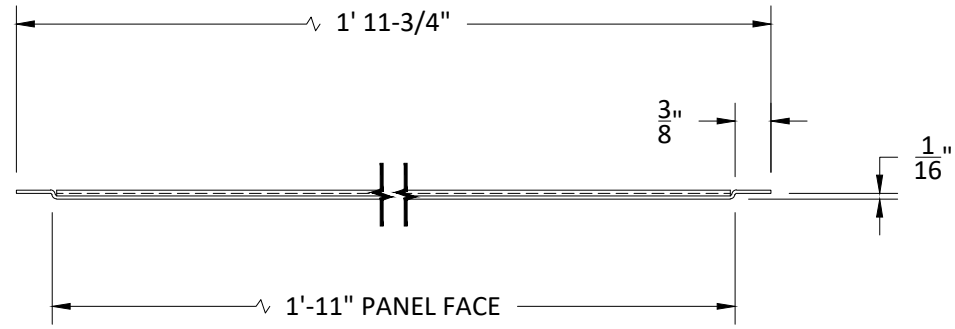
MATERIAL: .032" | .040" ALUMINUM  
FINISH: PAINT | POWDER COAT | DECORATED WOOD FINISH | WOOD VENEER  
PERFORATION: SEE DETAIL A1.1 THIS SET

**REVEAL LAY-IN PANEL**

PROJECT: LAY-IN PRODUCT SPECIFICATIONS  
DRAWING NUMBER: LAY-IN-A1.2  
SCALE: AS SHOWN  
DRAWN BY: HD ENGINEERING  
DATE: 2/21/19

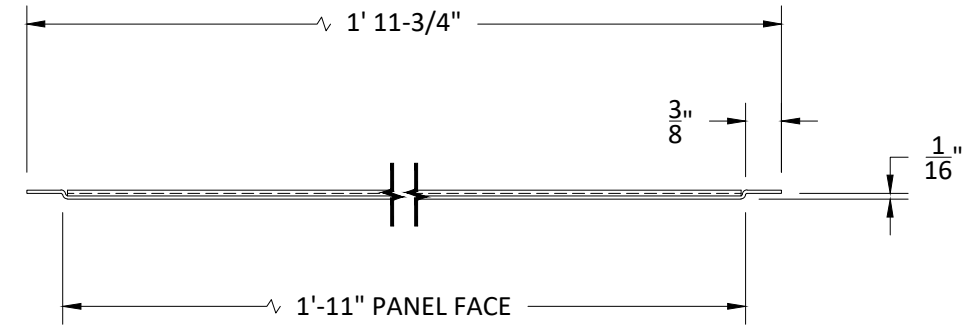
**2' x 2' PANEL**

**SECTION 'A'**  
SCALE: 6" = 1'-0"

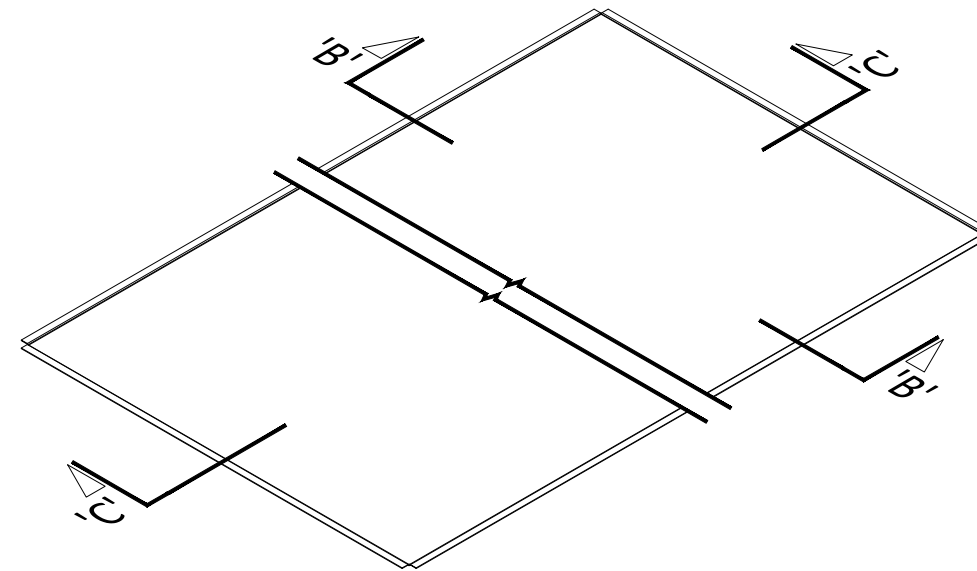
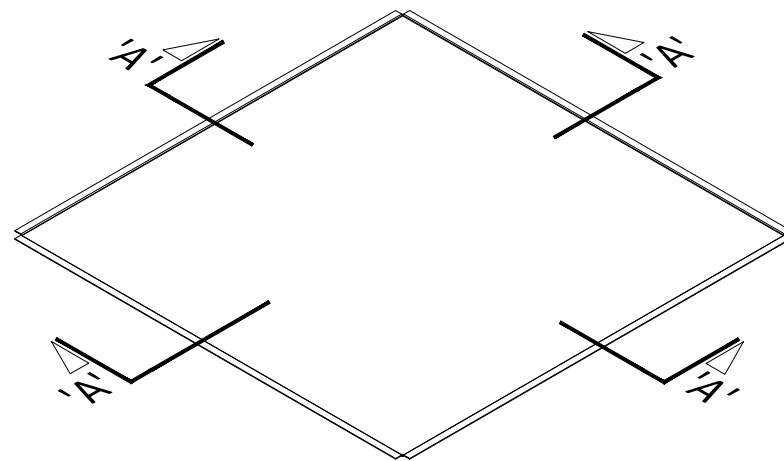
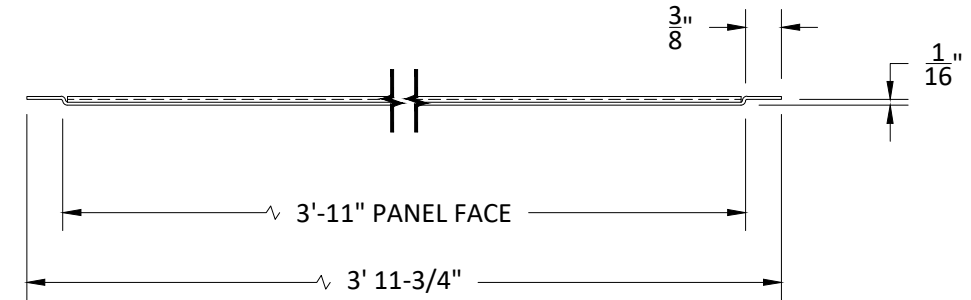


**2' x 4' PANEL**

**SECTION 'B'**  
SCALE: 6" = 1'-0"



**SECTION 'C'**  
SCALE: 6" = 1'-0"



**INTERIOR INSTALLATION**

\*FLUSH REVEAL LAY-IN PANELS FOR 15/16" GRID SHOWN

**HunterDouglas**   
**Ceiling & Wall Products**  
exclusively from CertainTeed

5015 Oakbrook Parkway, Suite 100  
Norcross, GA 30093  
O 800.366.4327  
F 770.806.0214  
CTSpecialtyCeilings.com

*All rights reserved. This drawing is the property of CertainTeed Ceilings Corporation. It may not be copied or multiplied, neither wholly nor partly. It may not be submitted for perusal to third parties.*

**SPECIFICATIONS**  
(unless noted otherwise)

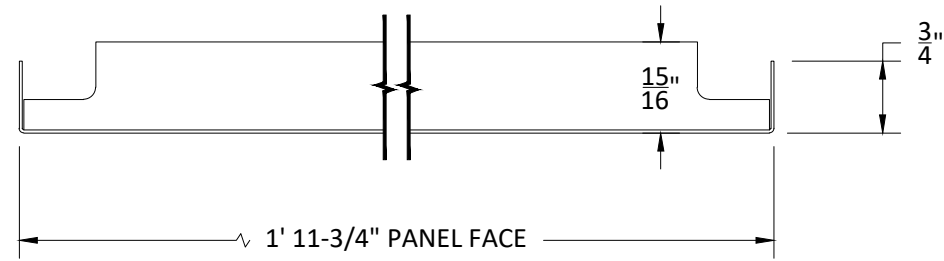
MATERIAL: .032" | .040" ALUMINUM  
FINISH: PAINT | POWDER COAT | DECORATED WOOD FINISH | WOOD VENEER  
PERFORATION: SEE DETAIL A1.1 THIS SET

**FLUSH REVEAL LAY-IN PANEL**

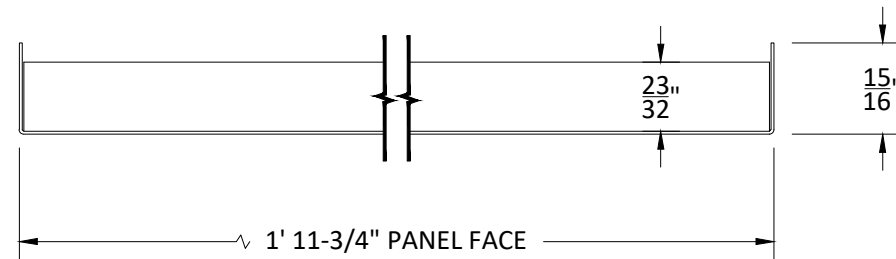
PROJECT: LAY-IN PRODUCT SPECIFICATIONS  
DRAWING NUMBER: LAY-IN-A1.3  
SCALE: AS SHOWN  
DRAWN BY: HD ENGINEERING  
DATE: 2/21/19

**2' x 2' PANEL**

**SECTION 'A'**  
SCALE: 6" = 1'-0"

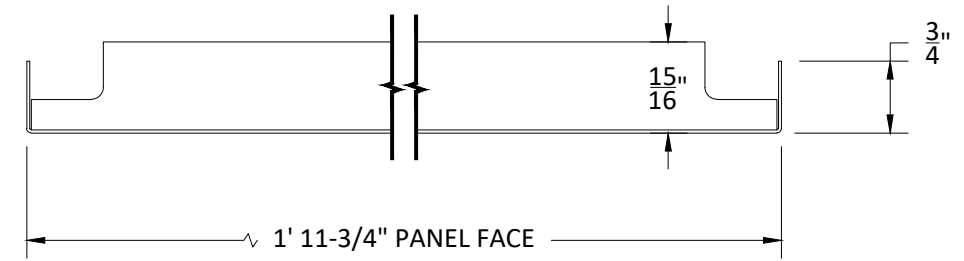


**SECTION 'B'**  
SCALE: 6" = 1'-0"

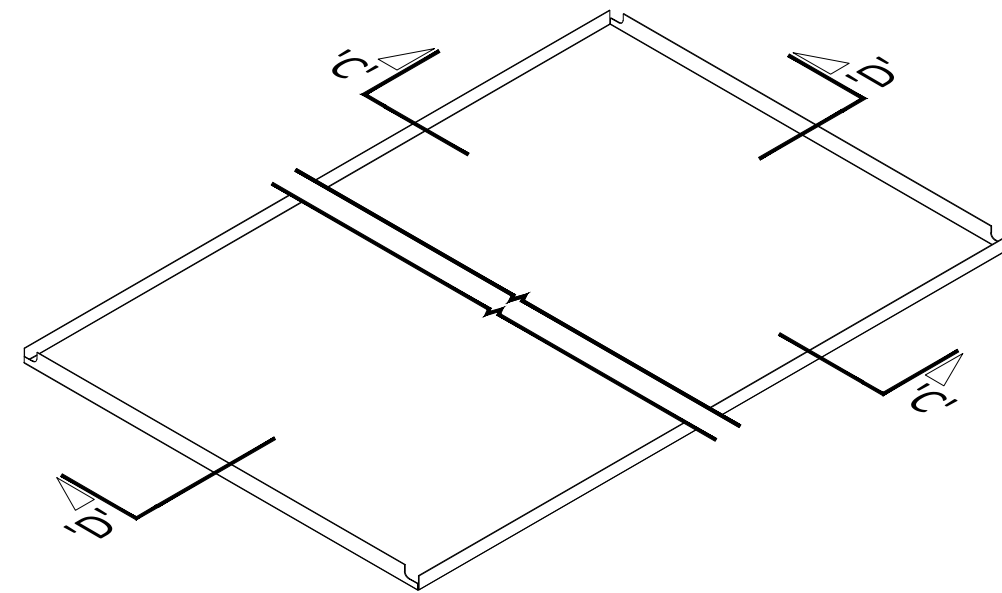
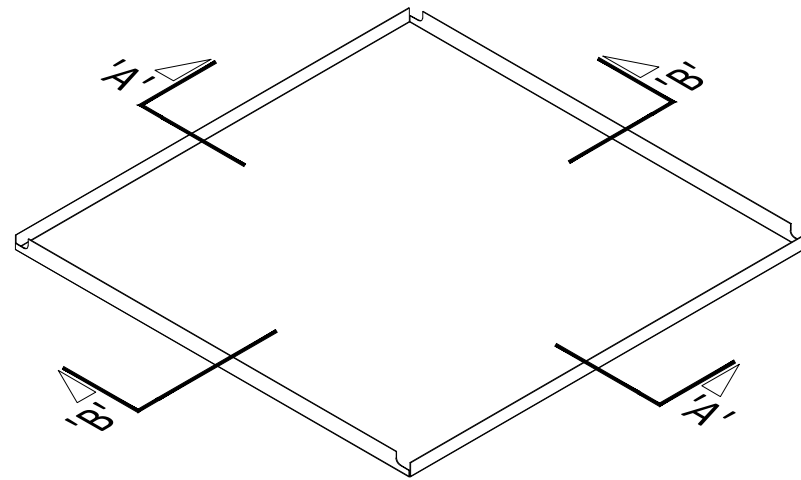
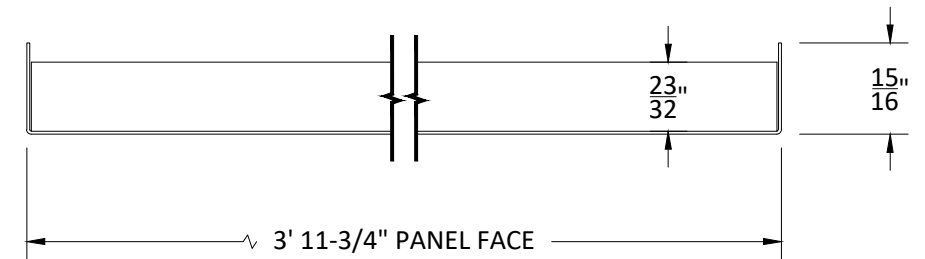


**2' x 4' PANEL**

**SECTION 'C'**  
SCALE: 6" = 1'-0"



**SECTION 'D'**  
SCALE: 6" = 1'-0"



**INTERIOR INSTALLATION**

\*SQUARE LAY-IN PANELS FOR 9/16" AND 15/16" GRID SHOWN

**HunterDouglas**   
**Ceiling & Wall Products**  
exclusively from CertainTeed

5015 Oakbrook Parkway, Suite 100  
Norcross, GA 30093  
O 800.366.4327  
F 770.806.0214  
CTSpecialtyCeilings.com

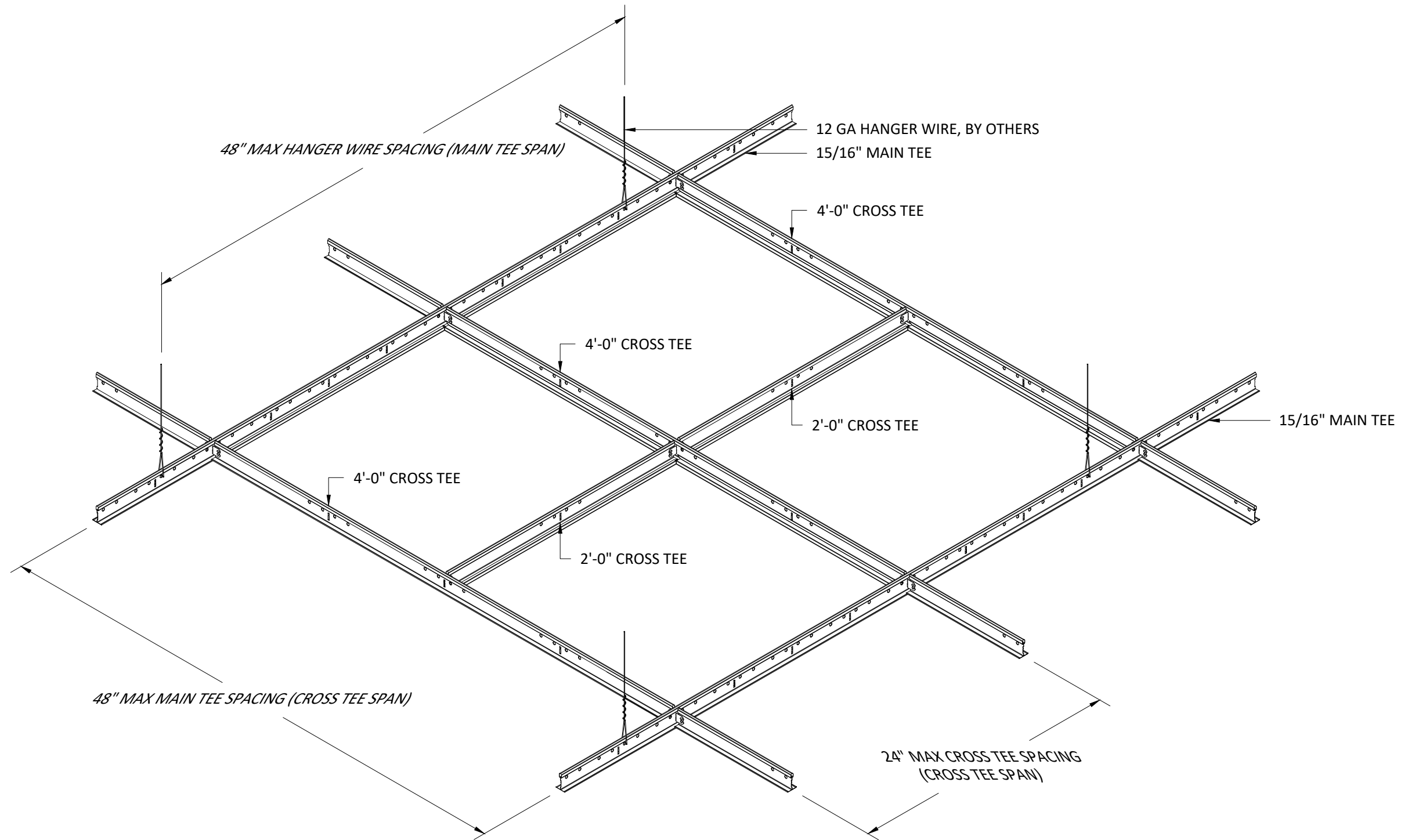
*All rights reserved. This drawing is the property of CertainTeed Ceilings Corporation. It may not be copied or multiplied, neither wholly nor partly. It may not be submitted for perusal to third parties.*

**SPECIFICATIONS**  
(unless noted otherwise)

MATERIAL: .032" | .040" ALUMINUM  
FINISH: PAINT | POWDER COAT | DECORATED WOOD FINISH | WOOD VENEER  
PERFORATION: SEE DETAIL A1.1 THIS SET

**SQUARE LAY-IN PANEL**

PROJECT: LAY-IN PRODUCT SPECIFICATIONS  
DRAWING NUMBER: LAY-IN-A1.4  
SCALE: AS SHOWN  
DRAWN BY: HD ENGINEERING  
DATE: 2/21/19



**INTERIOR INSTALLATION**

\*REVEAL LAY-IN PANELS FOR 15/16" GRID SHOWN

**HunterDouglas**   
**Ceiling & Wall Products**  
 exclusively from CertainTeed

5015 Oakbrook Parkway, Suite 100  
 Norcross, GA 30093  
 O 800.366.4327  
 F 770.806.0214  
 CTSpecialtyCeilings.com

*All rights reserved. This drawing is the property of CertainTeed Ceilings Corporation. It may not be copied or multiplied, neither wholly nor partly. It may not be submitted for perusal to third parties.*

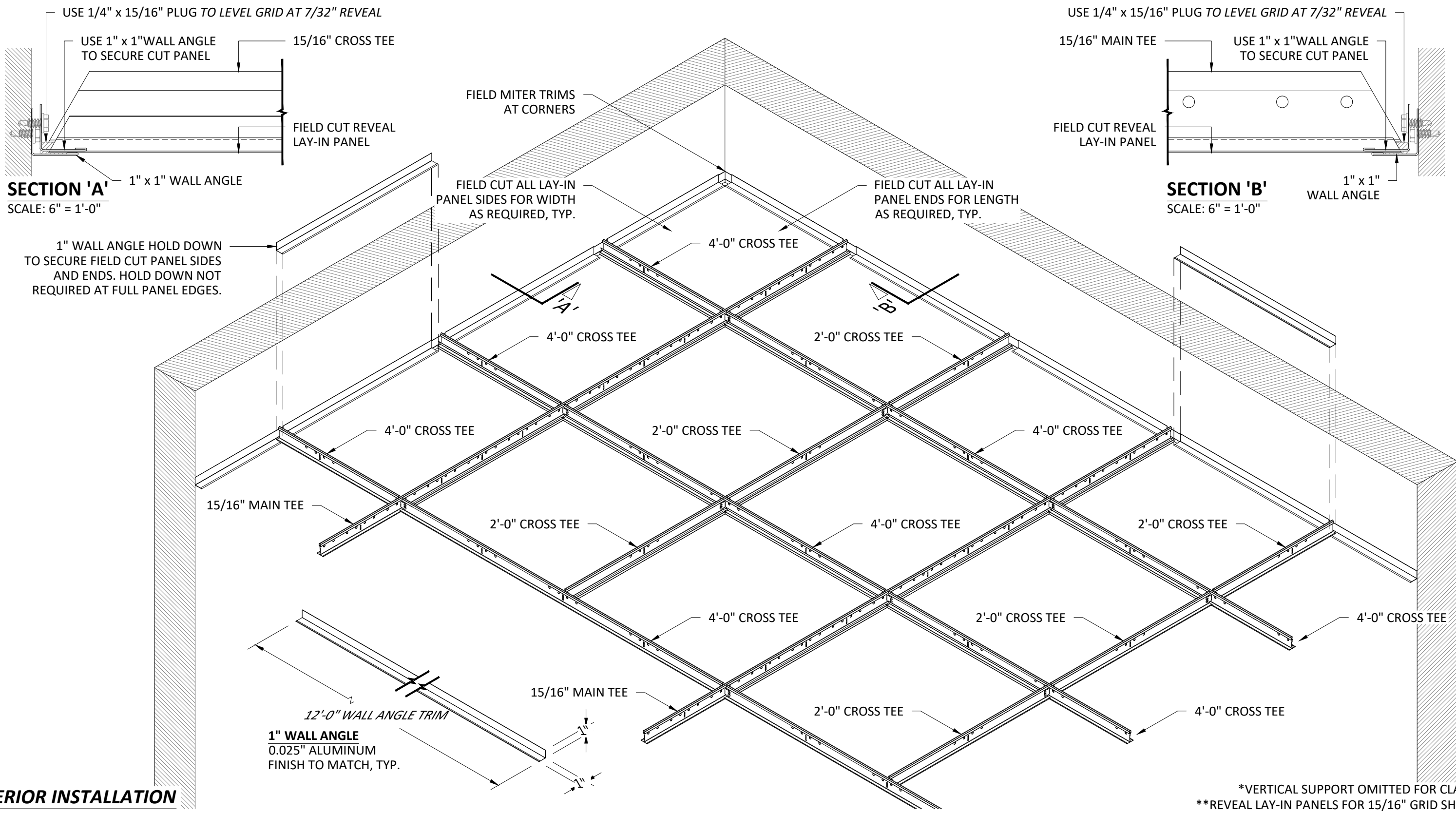
**SPECIFICATIONS**

(unless noted otherwise)

MATERIAL: .032" | .040" ALUMINUM  
 FINISH: PAINT | POWDER COAT | DECORATED WOOD FINISH | WOOD VENEER  
 PERFORMANCE: SEE DETAIL A1.1 THIS SET

**SUSPENSION SPECIFICATIONS**

PROJECT: LAY-IN PRODUCT SPECIFICATIONS  
 DRAWING NUMBER: LAY-IN-A1.5  
 SCALE: AS SHOWN  
 DRAWN BY: HD ENGINEERING  
 DATE: 2/21/19



**SECTION 'A'**  
SCALE: 6" = 1'-0"

**SECTION 'B'**  
SCALE: 6" = 1'-0"

**INTERIOR INSTALLATION**

\*VERTICAL SUPPORT OMITTED FOR CLARITY  
\*\*REVEAL LAY-IN PANELS FOR 15/16" GRID SHOWN



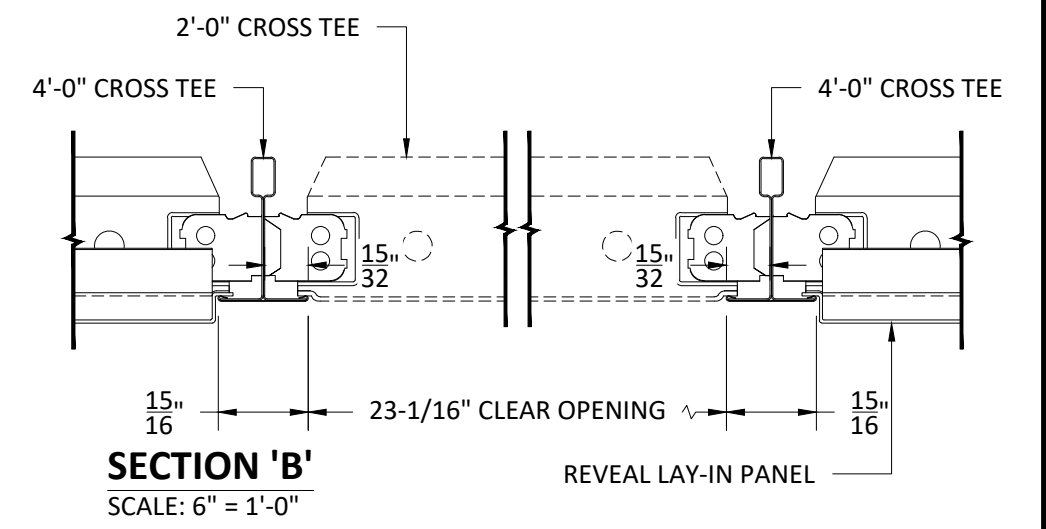
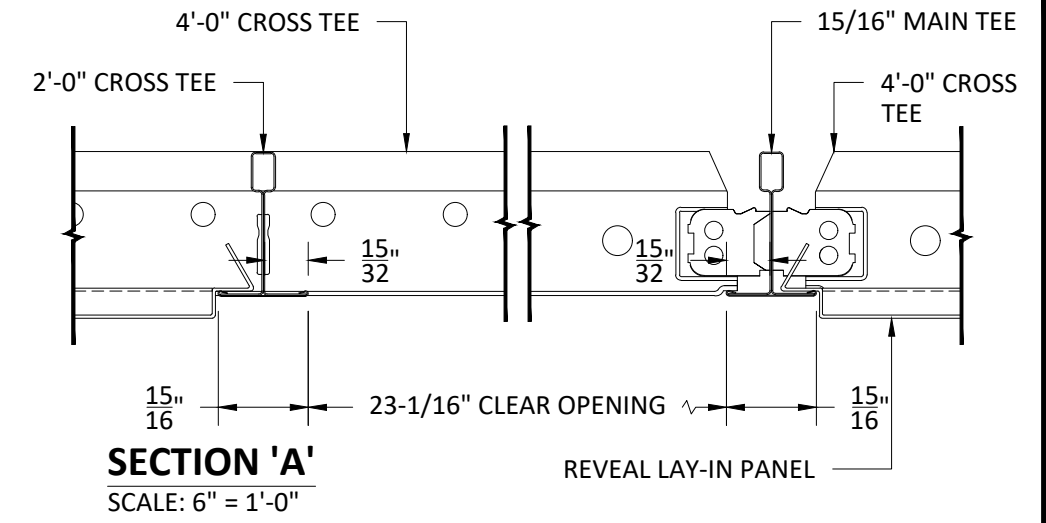
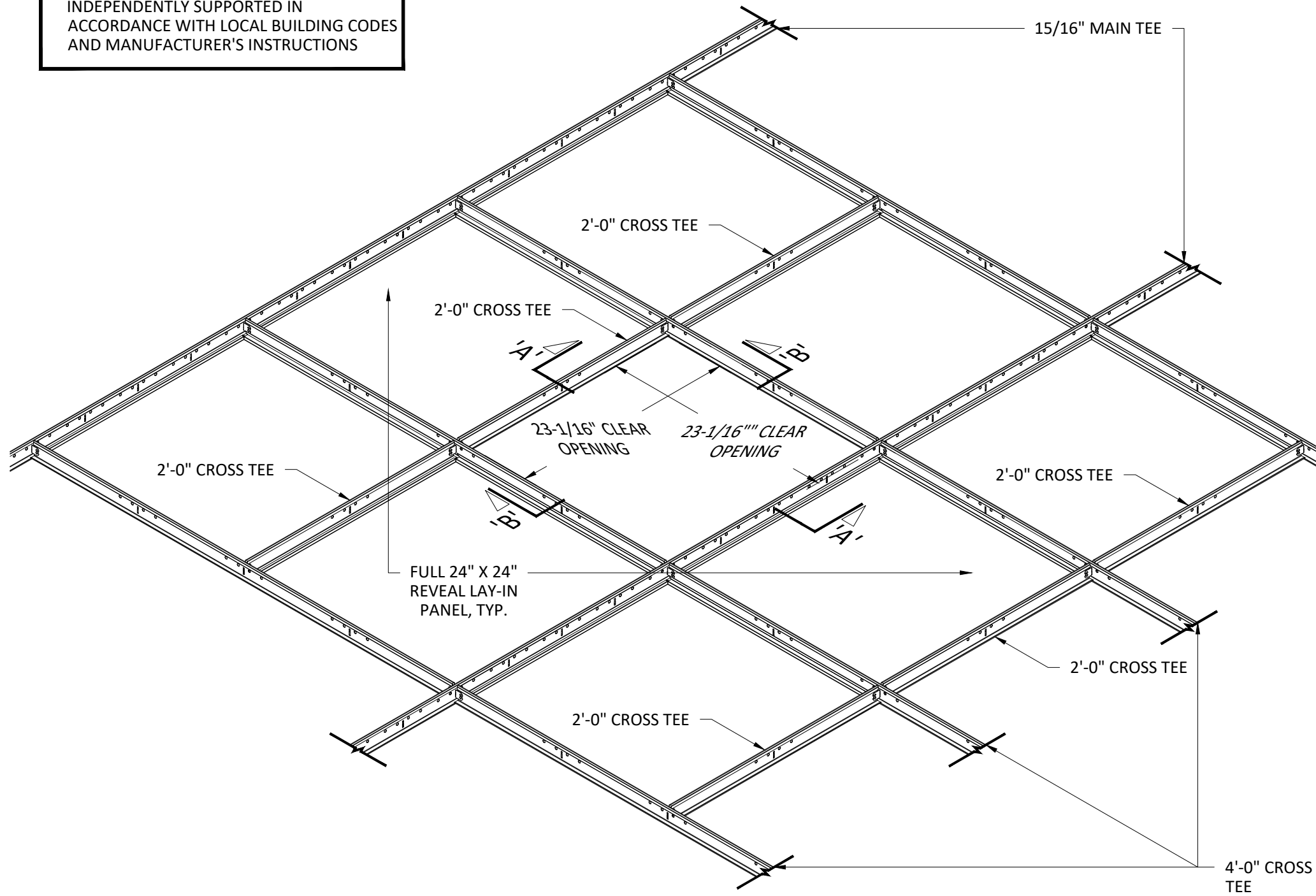
5015 Oakbrook Parkway, Suite 100  
Norcross, GA 30093  
O 800.366.4327  
F 770.806.0214  
CTSpecialtyCeilings.com

*All rights reserved. This drawing is the property of CertainTeed Ceilings Corporation. It may not be copied or multiplied, neither wholly nor partly. It may not be submitted for perusal to third parties.*

**SPECIFICATIONS**  
(unless noted otherwise)  
MATERIAL: .032" | .040" ALUMINUM  
FINISH: PAINT | POWDER COAT | DECORATED WOOD FINISH | WOOD VENEER  
PERFORMANCE: SEE DETAIL A1.1 THIS SET

**WALL TRIM SPECIFICATIONS**  
PROJECT: LAY-IN PRODUCT SPECIFICATIONS  
DRAWING NUMBER: LAY-IN-A1.6  
SCALE: AS SHOWN  
DRAWN BY: HD ENGINEERING  
DATE: 2/21/19

NOTE:  
 FIXTURE OR DIFFUSER MUST BE  
 INDEPENDENTLY SUPPORTED IN  
 ACCORDANCE WITH LOCAL BUILDING CODES  
 AND MANUFACTURER'S INSTRUCTIONS



**INTERIOR INSTALLATION**

\*VERTICAL SUPPORT OMITTED FOR CLARITY  
 \*\*REVEAL LAY-IN PANELS FOR 15/16" GRID SHOWN



5015 Oakbrook Parkway, Suite 100  
 Norcross, GA 30093  
 O 800.366.4327  
 F 770.806.0214  
 CTSpecialtyCeilings.com

*All rights reserved. This drawing is the property of CertainTeed Ceilings Corporation. It may not be copied or multiplied, neither wholly nor partly. It may not be submitted for perusal to third parties.*

**SPECIFICATIONS**  
 (unless noted otherwise)

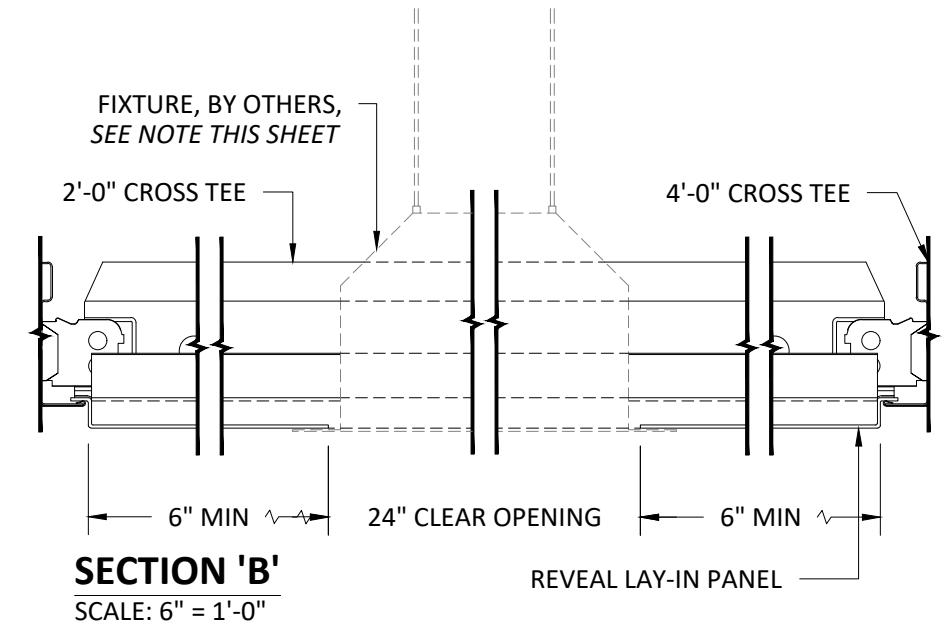
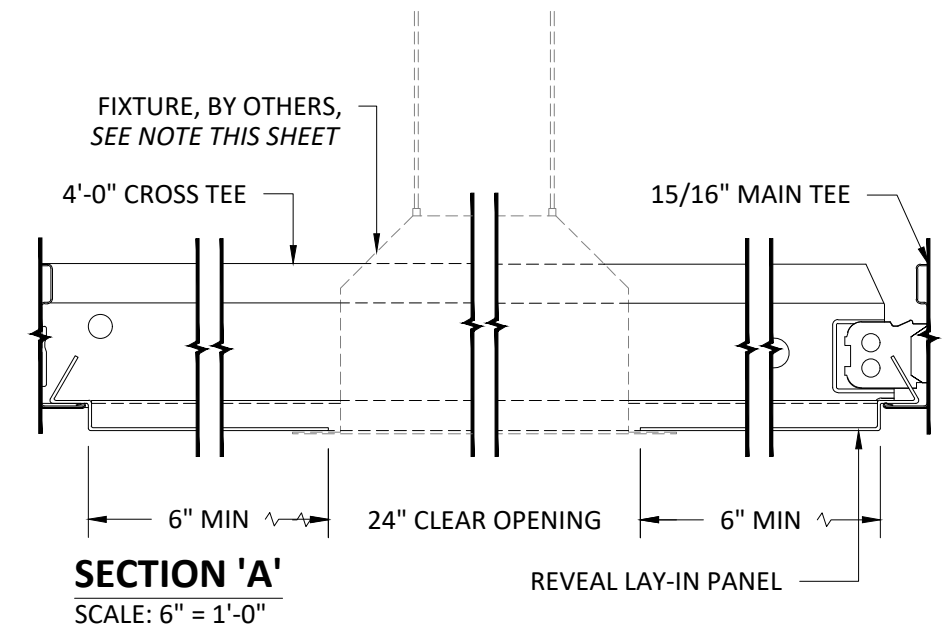
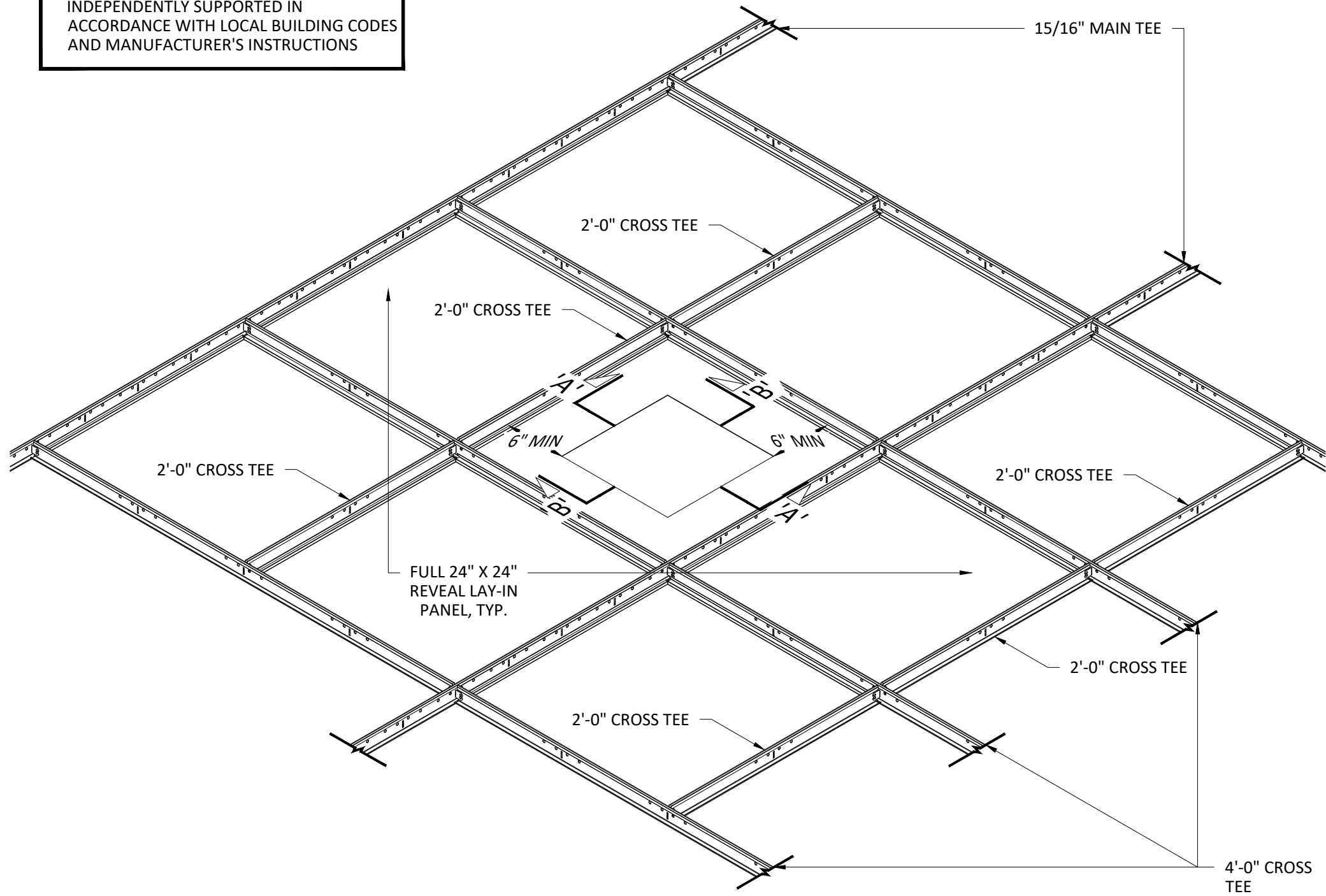
MATERIAL: .032" | .040" ALUMINUM  
 FINISH: PAINT | POWDER COAT | DECORATED WOOD FINISH | WOOD VENEER  
 PERFORMANCE: SEE DETAIL A1.1 THIS SET

**2'-0" X 2'-0" FIXTURE OPENING SPECIFICATIONS**

PROJECT: LAY-IN PRODUCT SPECIFICATIONS  
 DRAWING NUMBER: LAY-IN-A1.7  
 SCALE: AS SHOWN  
 DRAWN BY: HD ENGINEERING  
 DATE: 2/21/19



**NOTE:**  
 FIXTURE OR DIFFUSER MUST BE  
 INDEPENDENTLY SUPPORTED IN  
 ACCORDANCE WITH LOCAL BUILDING CODES  
 AND MANUFACTURER'S INSTRUCTIONS



**INTERIOR INSTALLATION**

\*VERTICAL SUPPORT OMITTED FOR CLARITY  
 \*\*REVEAL LAY-IN PANELS FOR 15/16" GRID SHOWN

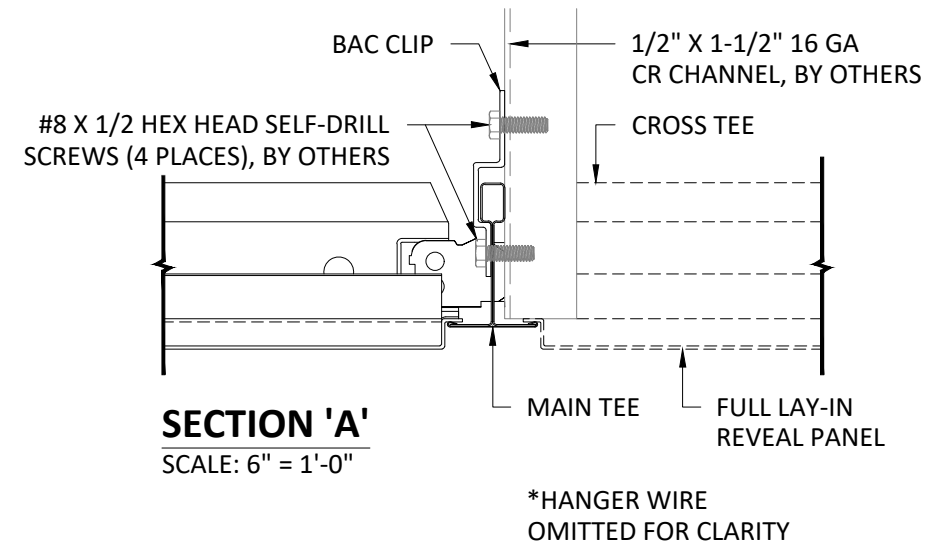
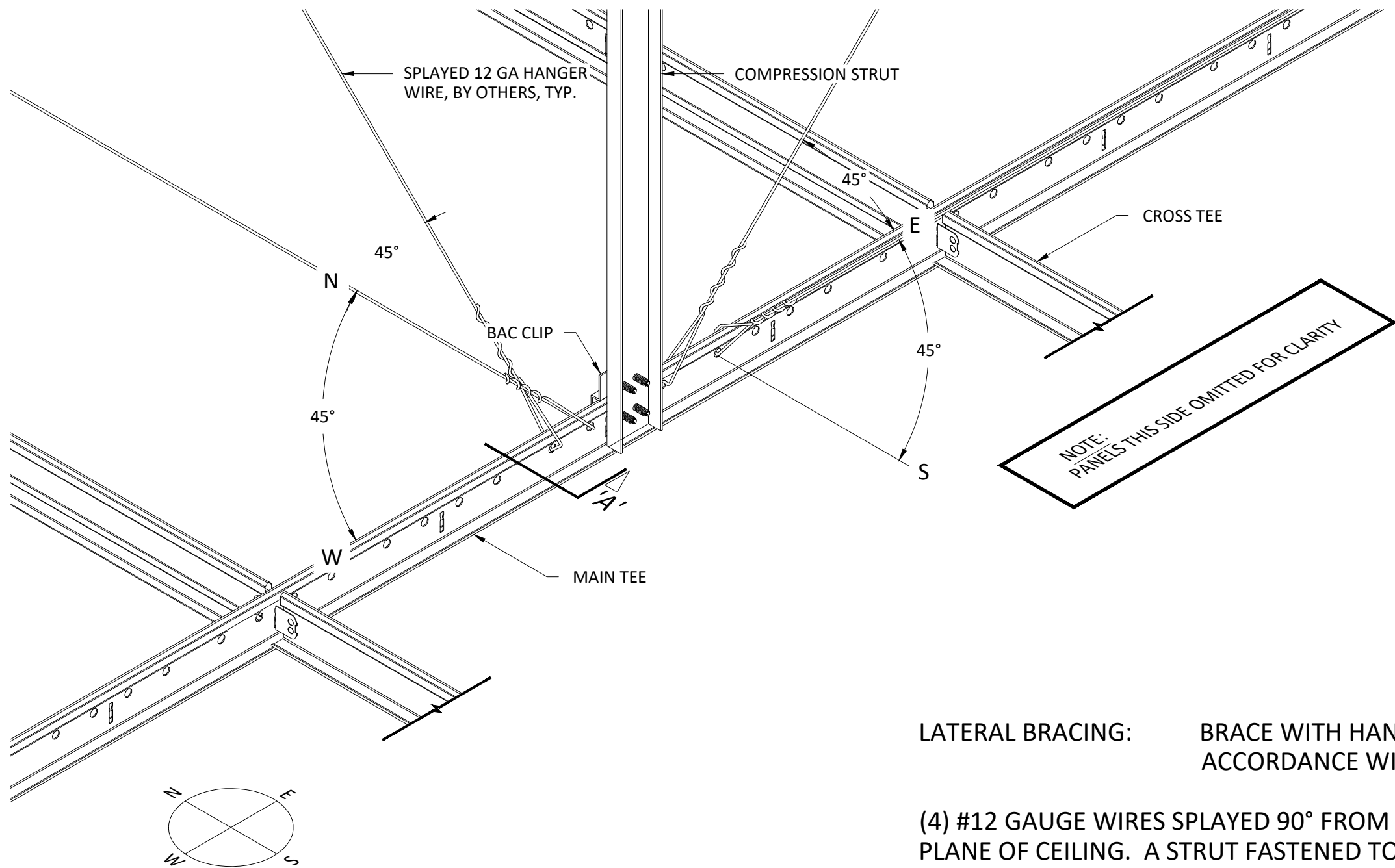


5015 Oakbrook Parkway, Suite 100  
 Norcross, GA 30093  
 O 800.366.4327  
 F 770.806.0214  
 CTSpecialtyCeilings.com

*All rights reserved. This drawing is the property of CertainTeed Ceilings Corporation. It may not be copied or multiplied, neither wholly nor partly. It may not be submitted for perusal to third parties.*

**SPECIFICATIONS**  
 (unless noted otherwise)  
 MATERIAL: .032" | .040" ALUMINUM  
 FINISH: PAINT | POWDER COAT | DECORATED WOOD FINISH | WOOD VENEER  
 PERFORMANCE: SEE DETAIL A1.1 THIS SET

**FIELD CUT PANEL OPENING SPECIFICATIONS**  
 PROJECT: LAY-IN PRODUCT SPECIFICATIONS  
 DRAWING NUMBER: LAY-IN-A1.8  
 SCALE: AS SHOWN  
 DRAWN BY: HD ENGINEERING  
 DATE: 2/21/19



LATERAL BRACING: BRACE WITH HANGER WIRES AND STRUTS PER ASTM E-580 AND IN ACCORDANCE WITH LOCAL CODE REQUIREMENTS.

(4) #12 GAUGE WIRES SPLAYED 90° FROM EACH OTHER AT ANGLE NOT EXCEEDING 45° FROM PLANE OF CEILING. A STRUT FASTENED TO MAIN RUNNER SHALL BE EXTENDED TO AND FASTENED TO STRUCTURE ABOVE. SPLAYED WIRE AND STRUT BRACING TO BE PLACED NOT MORE THAN 12 FEET ON CENTER IN EACH DIRECTION, WITH THE FIRST POINT WITHIN 6 FEET FROM EACH WALL.

**INTERIOR INSTALLATION**

\*REVEAL LAY-IN PANELS FOR 15/16" GRID SHOWN



5015 Oakbrook Parkway, Suite 100  
 Norcross, GA 30093  
 O 800.366.4327  
 F 770.806.0214  
 CTSpecialtyCeilings.com

*All rights reserved. This drawing is the property of CertainTeed Ceilings Corporation. It may not be copied or multiplied, neither wholly nor partly. It may not be submitted for perusal to third parties.*

**SPECIFICATIONS**  
 (unless noted otherwise)  
 MATERIAL: .032" | .040" ALUMINUM  
 FINISH: PAINT | POWDER COAT | DECORATED WOOD FINISH | WOOD VENEER  
 PERFORMANCE: SEE DETAIL A1.1 THIS SET

**SEISMIC SPECIFICATIONS**  
 PROJECT: LAY-IN PRODUCT SPECIFICATIONS  
 DRAWING NUMBER: LAY-IN-A1.9  
 SCALE: AS SHOWN  
 DRAWN BY: HD ENGINEERING  
 DATE: 2/21/19