



skyacoustics

SUPERCLUSTER CEILING CLOUDS

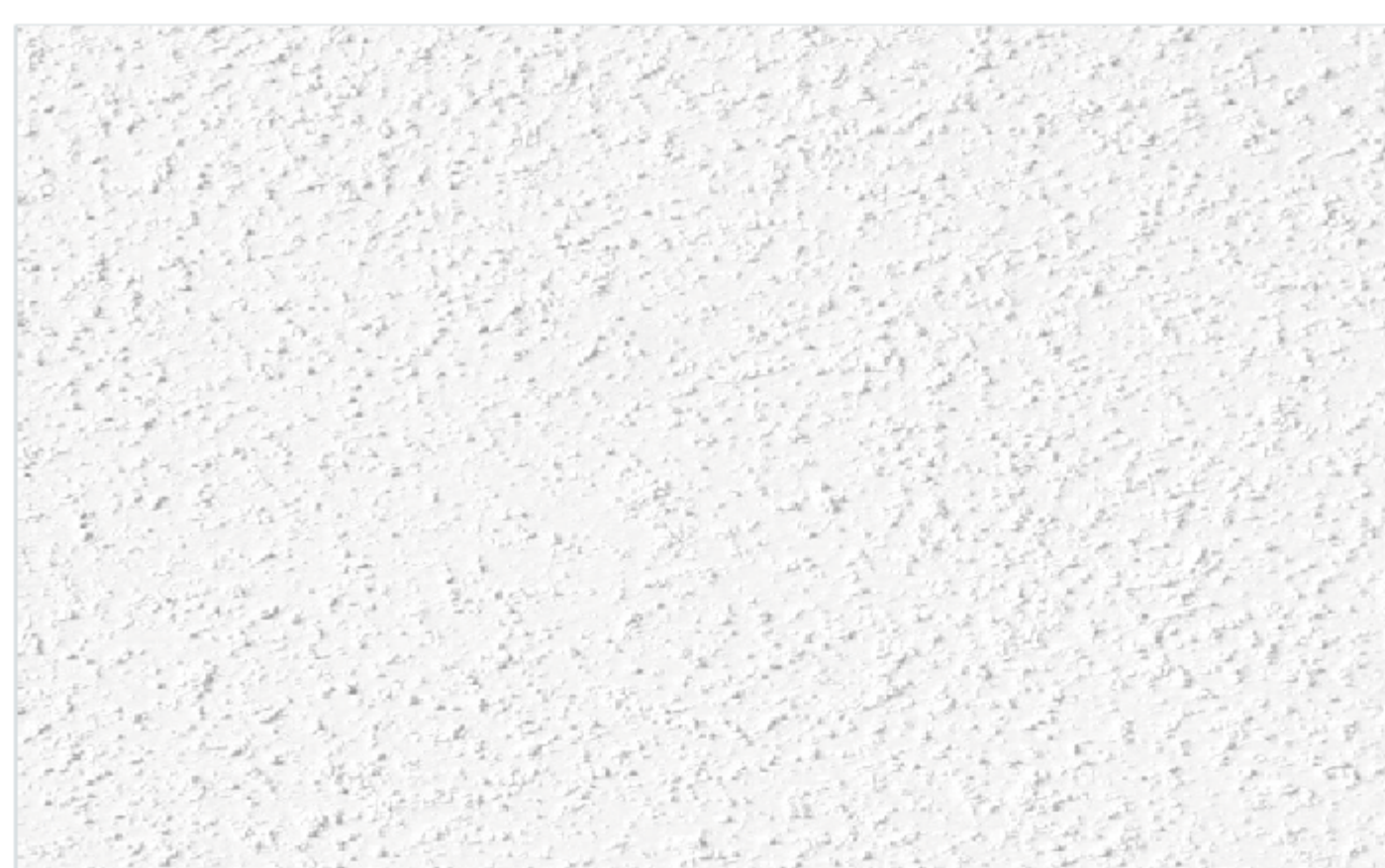
CUSTOM ACOUSTICAL CLOUDS AND SHAPES

SUPERCLUSTER ceiling panels are custom manufactured and offers great design flexibility with a wide variety of shapes and sizes. From curved and geometric panel shapes to flat panels in sizes up to 5' x 10' (1524mm x 3048mm) and thicknesses up to 2" (51mm).

Features

- Creates the effect of a floating ceiling
- Edge profiles are manufactured with a seamless look and finish
- Easy installation with anchor springs location drawings
- Adjustable hanger hook and cable wire suspension
- All Shapes and curves available to meet customers design
- Excellent aesthetics with brilliant light reflectance (90%)
- SuperCluster Clouds can be wrapped in fabric, coated or with a custom wood veneer

AVAILABLE FINISHES



Coated Finish

Coated in a smooth monolithic fine texture finish, available in standard Aura White or any custom color match



Legno (Wood Veneer)

Wood veneer finish available in micro-perforation and non perforated options. Many species and stain options available.



Fabric

Many fabrics, vinyls and felt available from Guilford of Maine, FilzFelt, Knoll, DesignTex, Maharam, Carnegie, Omnova and many more.



www.sky-acoustics.com

55 Bradwick Dr, Concord, ON L4K 1K5

Phone: (647) 477-2200

Email: sales@sky-acoustics.com



GENERAL DATA

- **SuperCluster** clouds are 360° Finished, **SuperCluster (Modified)** offers a cost effective solution where the edges and face are finished and the back is unfinished
- Noise Reduction Coefficient (NRC) as per ASTM C423 Standard
- Fire Performance Class A when tested to ASTM E84
- 1" minimum overlap on the back side of the panel for fabric wrapped panels
- 90% Light reflectance for Aura White when tested to ASTM E 1477-98a (Coated Finish)

MAXIMUM THICKNESS	MAXIMUM LENGTH	MAXIMUM WIDTH
2-1/8"	120"	60"

TECHNICAL DATA

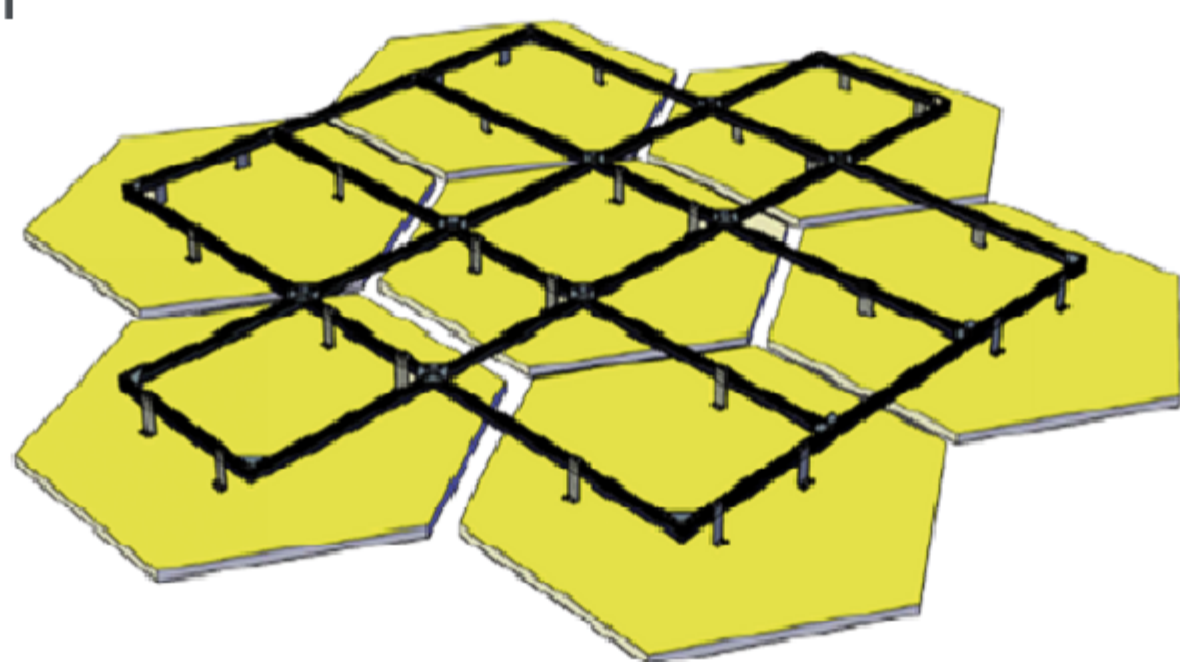
FINISH	THICKNESS	FIRE RATING	NRC	CAC	CORE DENSITY	LEED	WARRANTY
COATED	1-1/8" (28mm)	CLASS - A	0.90	>35	6-7 PCF	v4	2 YEARS
FABRIC	1-1/8" (28mm)	CLASS - A	UP TO 0.90	>35+	6-7 PCF	v4	2 YEARS
LEGNO	1-1/8" (28mm)	CLASS - A	UP TO 0.90	>35++	6-7 PCF	v4	2 YEARS

2" (51mm) thick panels have a NRC of up to 1.05

AVAILABLE MOUNTING SYSTEMS

Cumulus Grid System

Panels are installed in a group using our Cumulus Grid System



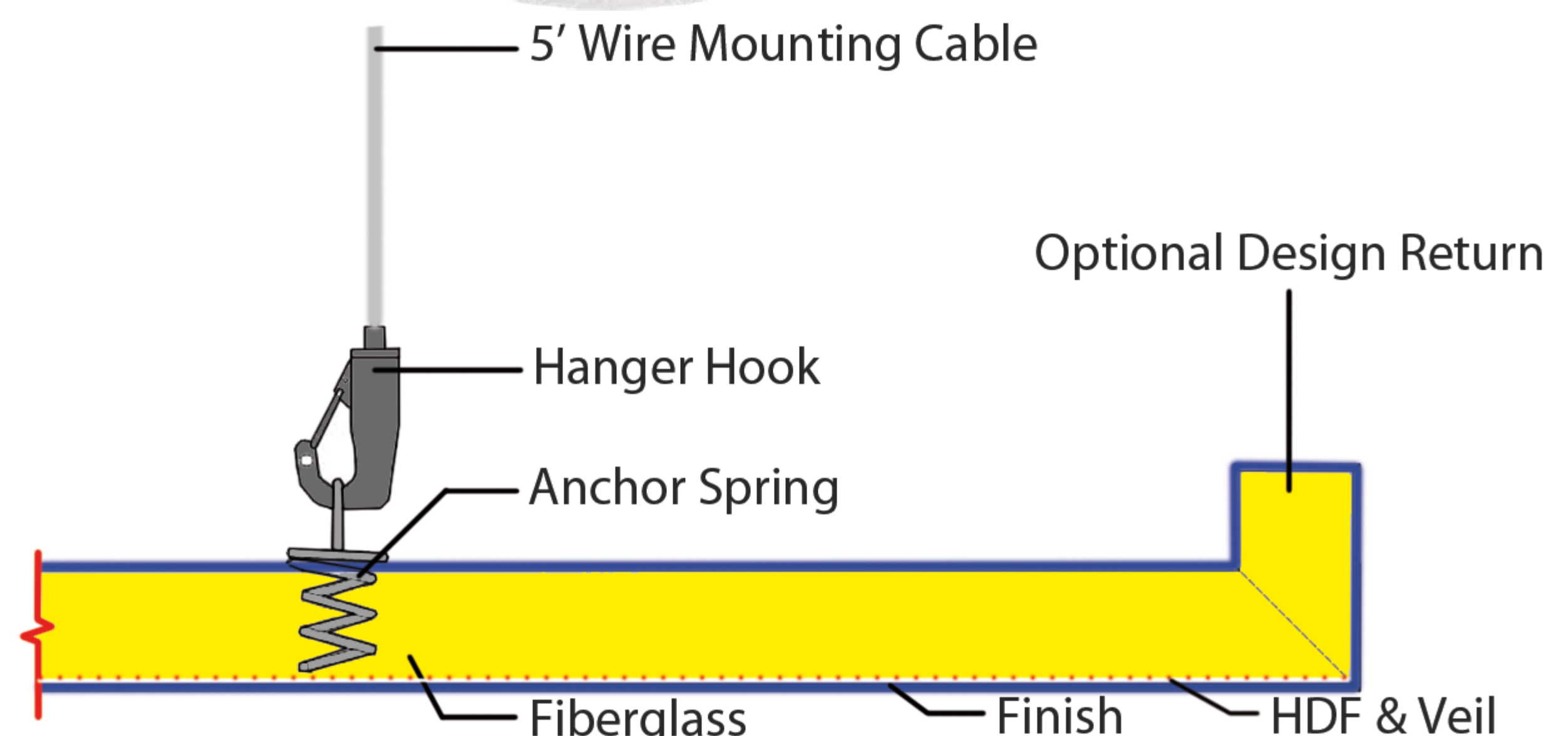
Anchor Springs

Anchor Springs are fastened to the back of the cloud and clipped to an adjustable hanger hook with aircraft cables.



TECHNICAL DRAWING

This graphic detail shows the SuperCluster Cloud suspended via the Anchor Springs with 5' Cable and Hanger Hooks mounting system. Design Return is an optional feature, which is typically used to create a visual impression of depth and thickness to a ceiling cloud. Design returns are seamless in the corners and returns are available.



www.sky-acoustics.com

55 Bradwick Dr, Concord, ON L4K 1K5

Phone: (647) 477-2200

Email: sales@sky-acoustics.com