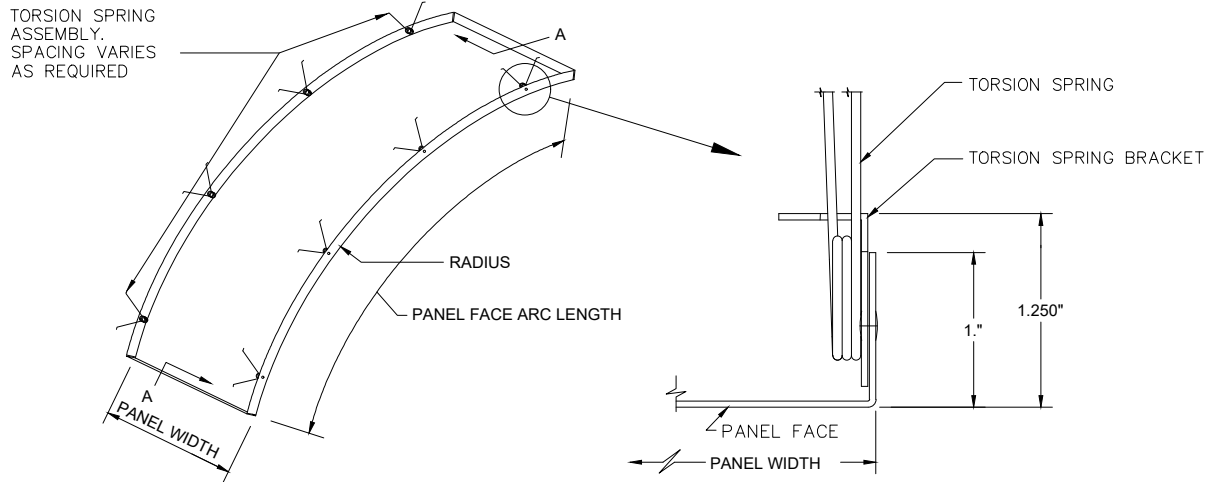
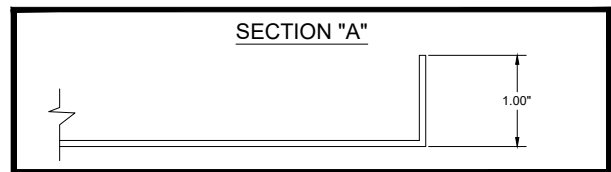


CONCAVE SHOWN – CONVEX SIMILAR



ISOMETRIC FORMED PANEL

SIDE LEG DETAIL – TORSION SPRING ASSEMBLY



HunterDouglas 
Ceiling & Wall Products
exclusively from CertainTeed

5015 Oakbrook Parkway, Suite 100
 Norcross, GA 30093
 O 800.366.4327
 F 770.806.0214
 CTSpecialtyCeilings.com

All rights reserved. This drawing is the property of CertainTeed Ceilings Corporation. It may not be copied or multiplied, neither wholly nor partly. It may not be submitted for perusal to third parties.

SPECIFICATIONS

(unless noted otherwise)

MATERIAL: .032" | .040" | .050" | .063"

ALUMINUM

FINISH: PAINT | POWDER COAT

PERFORATION: CONTACT HUNTER

DOUGLAS

TYPICAL CURVED TORSION SPRING PANEL

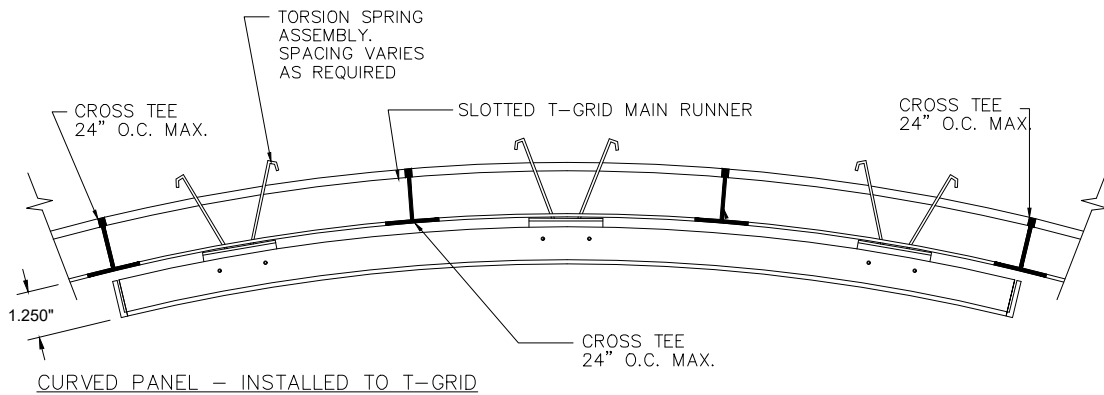
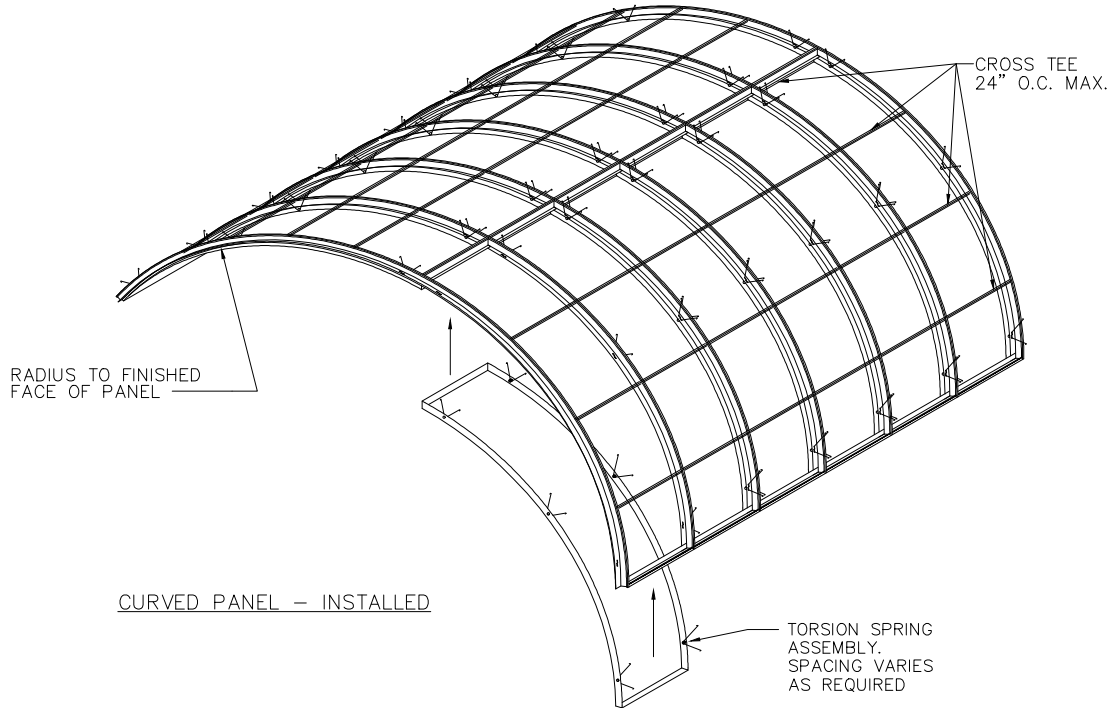
PROJECT: TORSION SPRING CURVED
 DRAWING NUMBER: TORSION-SPRING-CURVED-1

SCALE: NOT TO SCALE

DRAWN BY: HD ENGINEERING

DATE: 2/22/19

CONCAVE SHOWN – CONVEX SIMILAR



HunterDouglas 
Ceiling & Wall Products
 exclusively from **CertainTeed**

5015 Oakbrook Parkway, Suite 100
 Norcross, GA 30093
 O 800.366.4327
 F 770.806.0214
 CTSpecialtyCeilings.com

All rights reserved. This drawing is the property of CertainTeed Ceilings Corporation. It may not be copied or multiplied, neither wholly nor partly. It may not be submitted for perusal to third parties.

SPECIFICATIONS

(unless noted otherwise)

MATERIAL: .032" | .040" | .050" | .063"

ALUMINUM

FINISH: PAINT | POWDER COAT

PERFORATION: CONTACT HUNTER

DOUGLAS

TYPICAL SUSPENSION

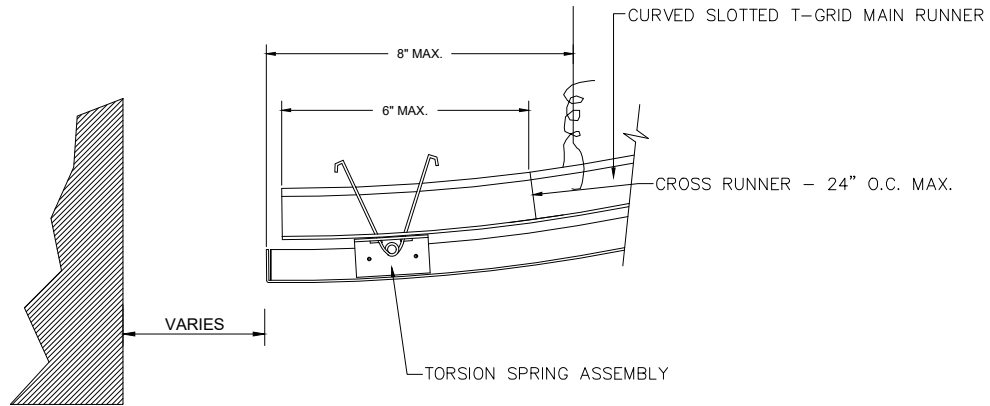
PROJECT: TORSION SPRING CURVED

DRAWING NUMBER: TORSION-SPRING-CURVED-2

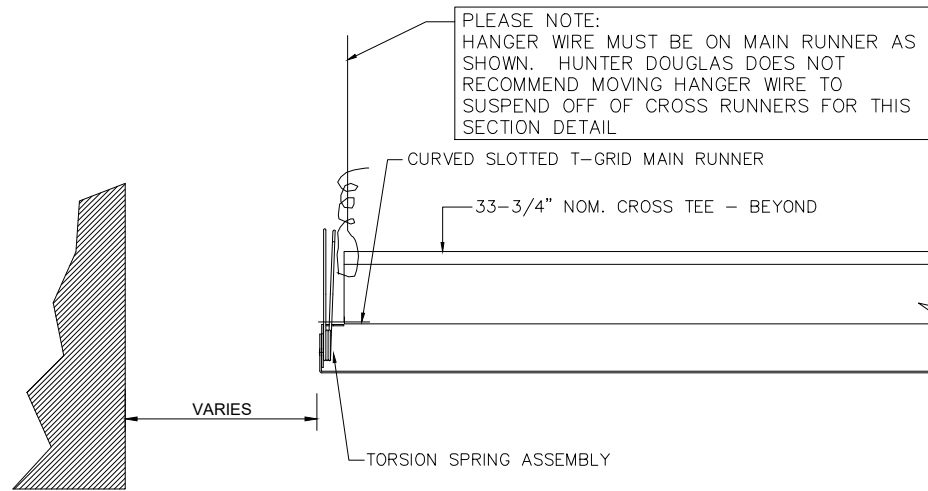
SCALE: NOT TO SCALE

DRAWN BY: HD ENGINEERING

DATE: 2/22/19



SECTION @ CURVED PANEL END @ WALL / BULKHEAD



SECTION @ CURVED PANEL SIDE @ WALL / BULKHEAD

HunterDouglas 
Ceiling & Wall Products
 exclusively from **CertainTeed**

5015 Oakbrook Parkway, Suite 100
 Norcross, GA 30093
 O 800.366.4327
 F 770.806.0214
 CTSpecialtyCeilings.com

All rights reserved. This drawing is the property of CertainTeed Ceilings Corporation. It may not be copied or multiplied, neither wholly nor partly. It may not be submitted for perusal to third parties.

SPECIFICATIONS

(unless noted otherwise)

MATERIAL: .032" | .040" | .050" | .063"

ALUMINUM

FINISH: PAINT | POWDER COAT

PERFORATION: CONTACT HUNTER

DOUGLAS

PERIMETER CONDITIONS

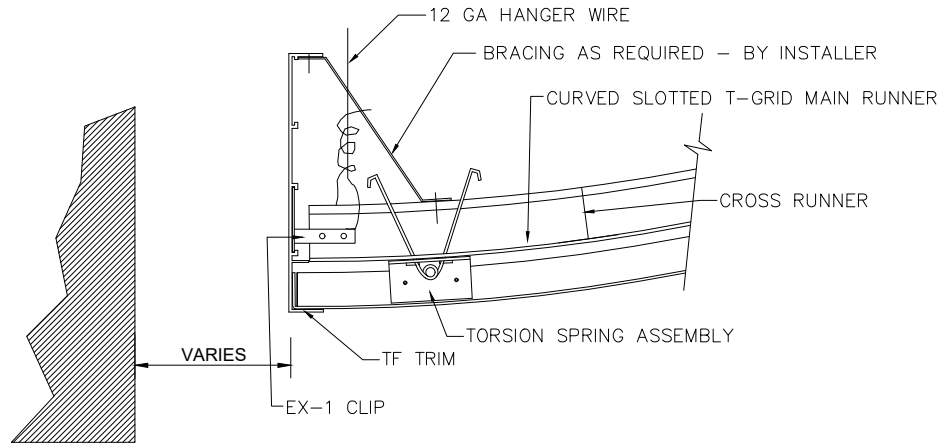
PROJECT: TORSION SPRING CURVED

DRAWING NUMBER: TORSION-SPRING-CURVED-3

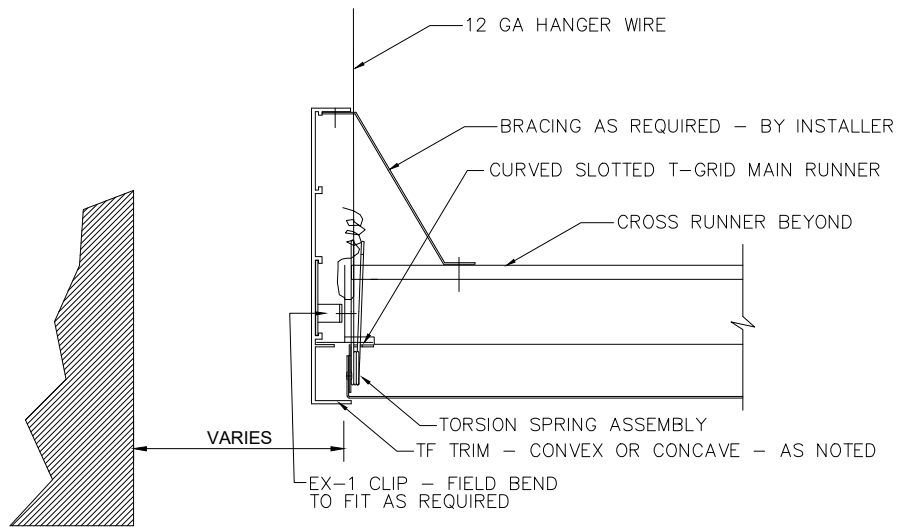
SCALE: NOT TO SCALE

DRAWN BY: HD ENGINEERING

DATE: 2/22/19



SECTION @ CURVED PANEL END WITH EDGELINE TF05 TRIM @ WALL / BULKHEAD



SECTION @ CURVED PANEL SIDE WITH EDGELINE TF05 TRIM @ WALL / BULKHEAD

HunterDouglas 
Ceiling & Wall Products
 exclusively from **CertainTeed**

5015 Oakbrook Parkway, Suite 100
 Norcross, GA 30093
 O 800.366.4327
 F 770.806.0214
 CTSpecialtyCeilings.com

All rights reserved. This drawing is the property of CertainTeed Ceilings Corporation. It may not be copied or multiplied, neither wholly nor partly. It may not be submitted for perusal to third parties.

SPECIFICATIONS

(unless noted otherwise)

MATERIAL: .032" | .040" | .050" | .063"

ALUMINUM

FINISH: PAINT | POWDER COAT

PERFORATION: CONTACT HUNTER

DOUGLAS

**EDGELINE PERIMETER
 CONDITIONS**

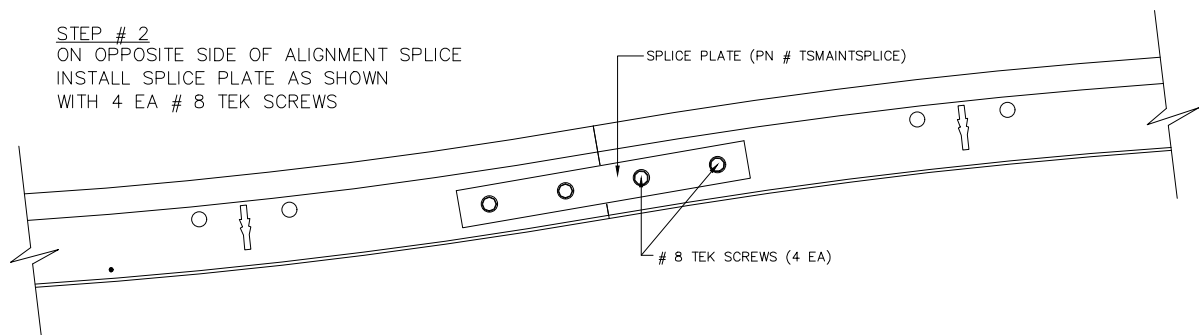
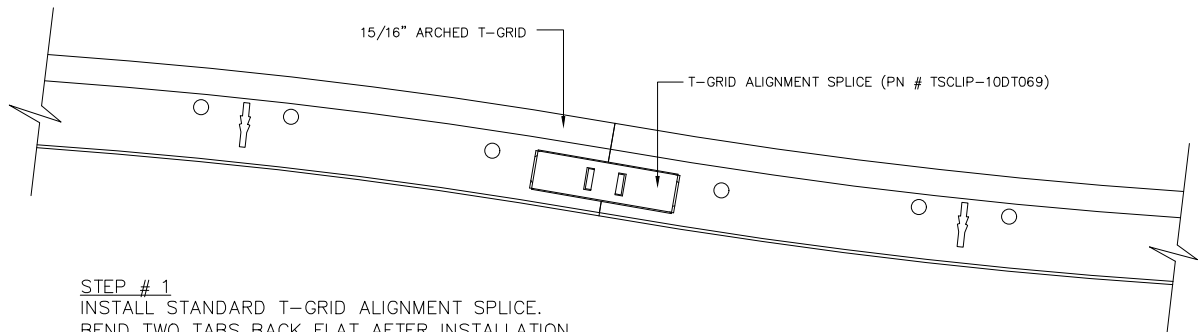
PROJECT: TORSION SPRING CURVED
 DRAWING NUMBER: TORSION-SPRING-
 CURVED-4

SCALE: NOT TO SCALE

DRAWN BY: HD ENGINEERING

DATE: 2/22/19

TYPICAL T-GRID ALIGNMENT SPLICE INSTALLATION



HunterDouglas 
Ceiling & Wall Products
exclusively from CertainTeed

5015 Oakbrook Parkway, Suite 100
Norcross, GA 30093
O 800.366.4327
F 770.806.0214
CTSPECIALTYCeilings.com

All rights reserved. This drawing is the property of CertainTeed Ceilings Corporation. It may not be copied or multiplied, neither wholly nor partly. It may not be submitted for perusal to third parties.

SPECIFICATIONS

(unless noted otherwise)

MATERIAL: .032" | .040" | .050" | .063"

ALUMINUM

FINISH: PAINT | POWDER COAT

PERFORATION: CONTACT HUNTER

DOUGLAS

MAIN RUNNER SPLICE

PROJECT: TORSION SPRING CURVED
DRAWING NUMBER: TORSION-SPRING-CURVED-5

SCALE: NOT TO SCALE

DRAWN BY: HD ENGINEERING

DATE: 2/22/19