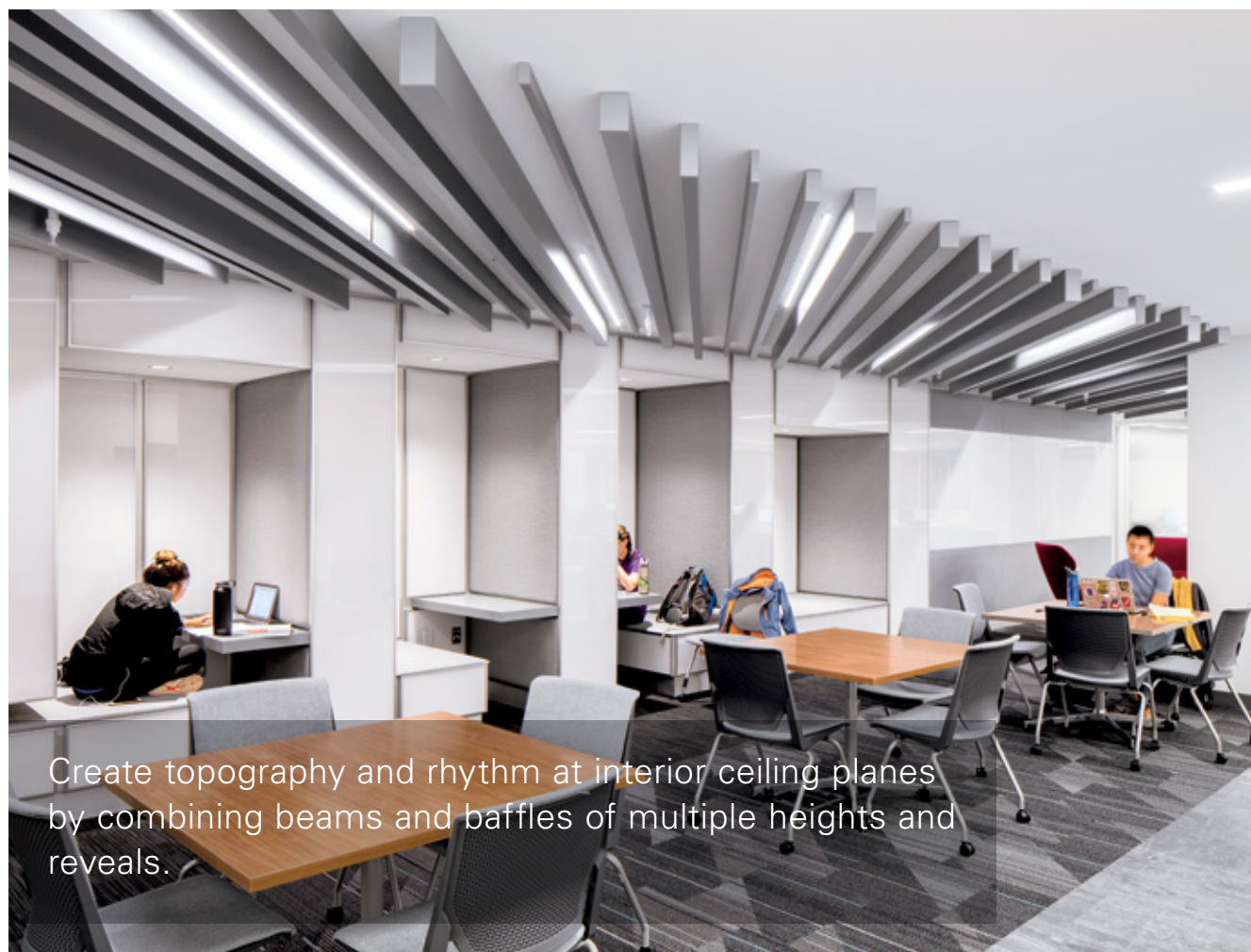


METAL  
CEILINGSBEAMS & BAFFLES  
TAVOLA™ LEVELS

Create topography and rhythm at interior ceiling planes by combining beams and baffles of multiple heights and reveals.

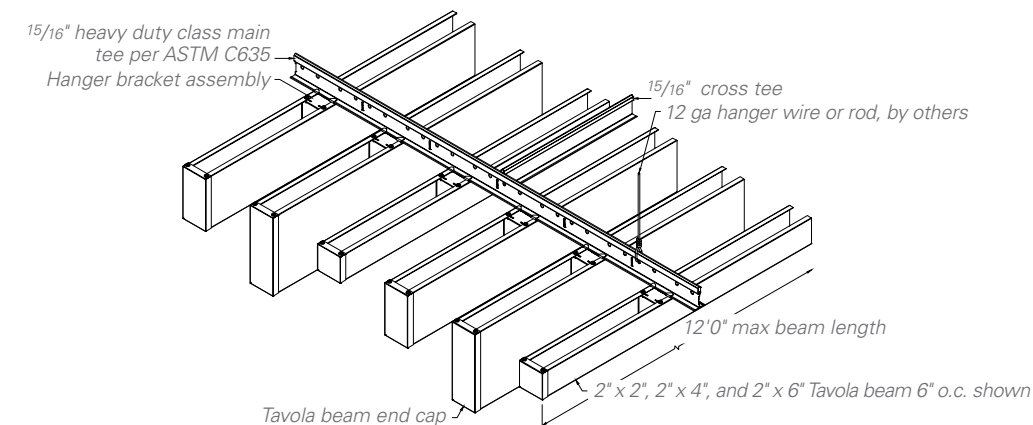
Project: Northwestern University Mudd Library, Evanston, IL; TAVOLA™ Levels Photo credit: AJ Brown

## KEY FEATURES

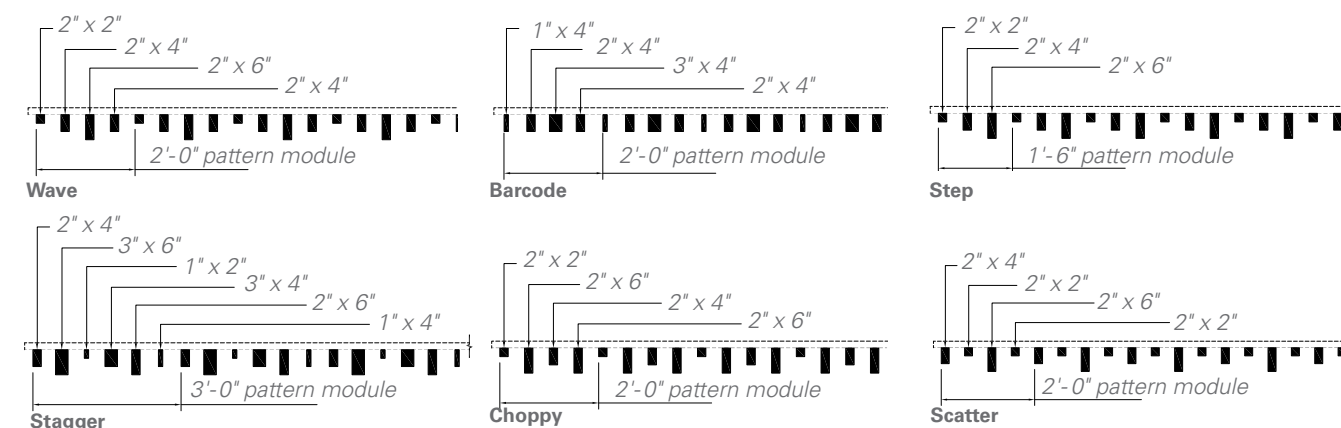
- Create topography with multiple beam heights and multiple beam widths
- Multitude of profile dimensions up to 12' long
- Perforation patterns provide elevated acoustics
- Standard heavy-duty  $1\frac{5}{16}$ " T-grid suspension
- Waste reduction with factory fabricated dimensional material
- Downweight: reduce dead load with lightweight aluminum
- Compatible with industry standard lighting, HVAC, speaker, fire safety, and security services

## TYPICAL ISOMETRICS

Pattern shown for illustrative purposes only. Pattern must be specified. See website for additional sizes.

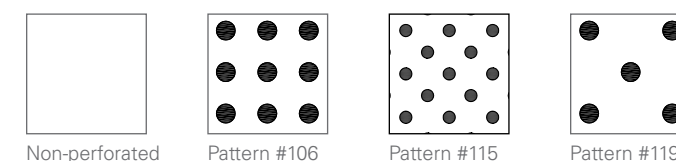


## CONFIGURATIONS



## PERFORATION PATTERNS

Standard patterns shown. Perforations not available on real wood veneer. Scale shown: 1:1, unless otherwise noted.



## PHYSICAL DATA

**Substrate:** Aluminum  
**Warranty:** 1 year  
**Seismic rating:** Zones A,B,C,D,E,F  
**Fire rating:** Class A Fire Rated per ASTM E84  
 – Painted or anodized metal: Flame spread:  $\leq 25$ , Smoke  $\leq 50$   
 – Wood veneer on metal: Flame spread:  $\leq 25$ , Smoke  $\leq 55$  (for interior applications)  
**Weight:** Varies 0.5 – 2.1 lbs./sq.ft.  
**Wind load:** N/A  
**Recycled content:** Up to 85%  
**Light reflectance (LR) Coefficient per ASTM E1264 & ASTM E1477:**  
 – Varies with finish  
 – Cotton White: LR = 0.81  
**Acoustical ratings – NRC:** See Resources section.

## BIM

REVIT files available for BIM contributions, see website for details.

## LEED V4 CREDITS

**MR:** Building Product Disclosure  
**EQ:** Low-Emitting Materials  
**EQ:** Indoor Air Quality Assessment  
**EQ:** Acoustic Performance

## CERTIFICATIONS

GREENGUARD Gold Certified  
 FSC chain of custody veneers available  
 EPDs – available upon request

METAL CEILINGS

BEAMS & BAFFLES  
TAVOLA™ LEVELS

COLORS & FINISHES

A wide choice of colors and finishes are available and some carry a premium price over manufacturer's standard colors. Custom color matching is available upon request. Minimum quantities and lead times may apply. See website for the most up to date information and to order samples. Colors are for illustration purposes only.

STANDARD PAINT COLORS



Natural 7163  
Cotton White 0280

CUSTOM COLORS

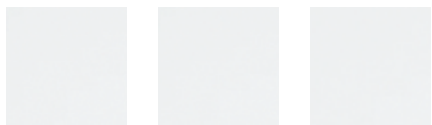
Premium custom colors.



Custom

WHITE FINISH OPTIONS

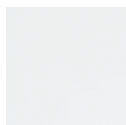
Powder-coat paint finish for Arctic White #1015P (Gloss 10-20); Crystalline White #1050P (Gloss 45-55); Supernova White #1085P (Gloss 80-90)



Arctic White 1015P  
Crystalline White 1050P  
Supernova White 1085P

DAYLIGHTING WHITE PAINT FINISH

Powder-coat paint finish offering LRV 96; non-glare, 3% low gloss finish. Certified by: Applied Technical Services, Inc. Test Report No. D233185. Test reports available by request.



Performance White 9603P

BLACK FINISH OPTIONS

Powder-coat paint finish for Starless Black #5000P (Matte); Raven Black #5030P (Gloss 25-35); Sable Black #5060P (Gloss 65-75); Wet Glass Black #5095P (Gloss 90-95)



Starless Black 5000P  
Raven Black 5030P  
Sable Black 5060P  
Wet Glass Black 5095P



STANDARD WOOD VENEER OPTIONS

Real wood veneer (interior only). Formaldehyde-free, Class A composite panel. Non-perforated only. Note: This is a small subset of veneers available. Please contact manufacturer for client-specific species and stains.



White Oak (Rift) 9003  
Douglas Fir (VG) 9005  
Cherry (Flat) 9013  
Walnut (Flat) 9114  
Anigre (Qtr) 9122  
Maple (Flat) 9427

DECORATED WOOD-LOOK OPTIONS

Powder-coat paint finish (interior and exterior). Formaldehyde-free, Class A composite panel. This finish is recommended for exterior conditions.



COIL-COATED WOOD-LOOK OPTIONS

Polyester coil-coated painted finish (interior and exterior). Formaldehyde-free, Class A composite panel. Minimums apply.



Chaucer Maple 8947  
Columbia Cherry 8950  
Celtic Walnut 8956

LAMINATED (FILM) WOOD FINISHES

Film (interior only). Formaldehyde-free, Class A composite panel. Minimums apply.



American Natural 8000  
Russian Maple 8003  
Hayward Cherry 8005  
Caramel Bamboo 8030  
Northern Walnut 8105  
Chatham Oak 8107