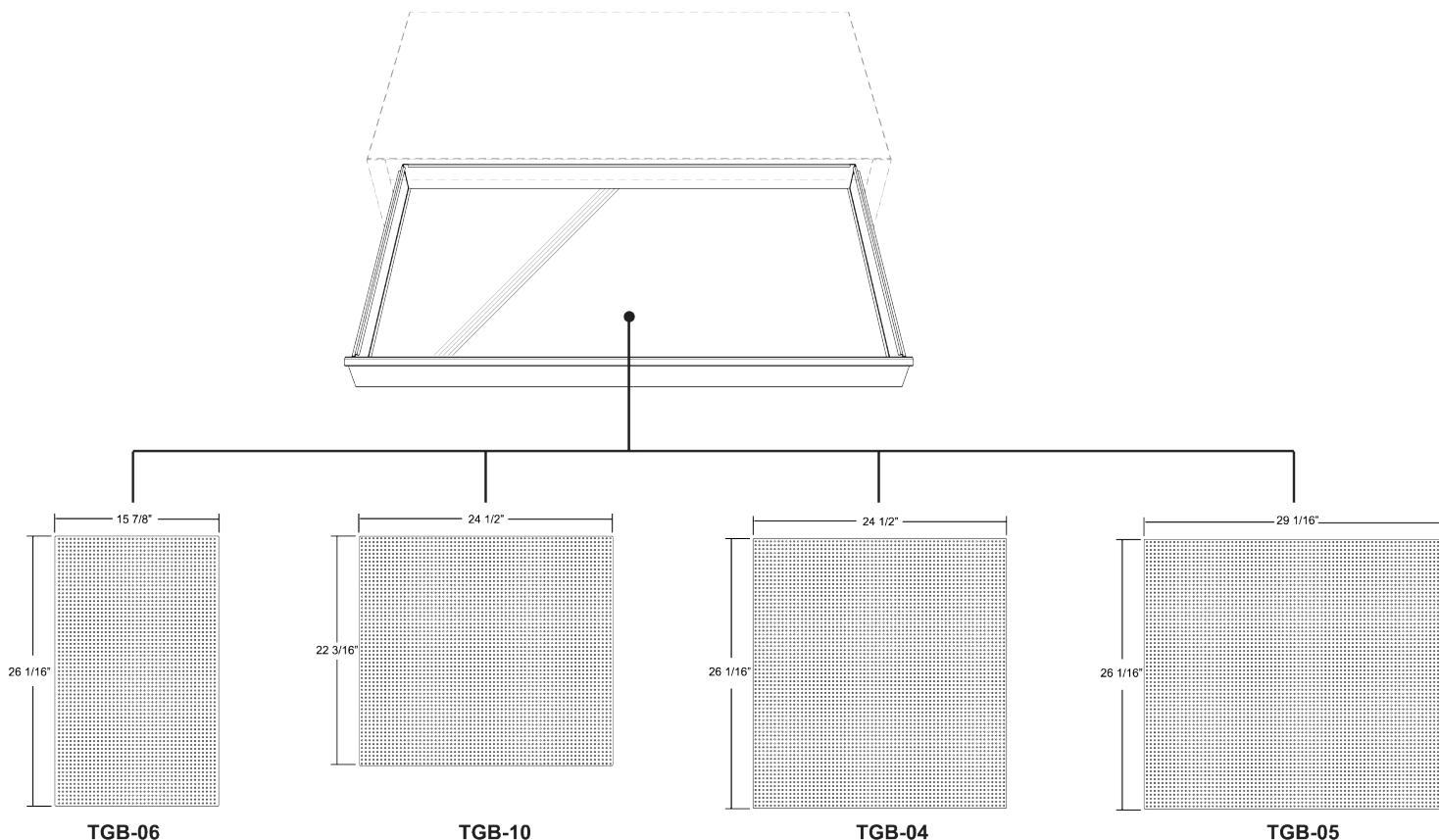


## TOOLGRID WORKSHEET AND SET UP GUIDE

This worksheet will help you determine what boards, holders, and quantity of screws to order. Once you complete the worksheet you can submit it to your local distributor to make a purchase.

NOTE: PRODUCT DESCRIPTIONS MAY VARY BY DISTRIBUTOR.

### SELECTING THE PROPER TOOLGRID BOARD FOR DRAWERS, WORK TOPS AND SHELVES



Determine which Toolgrid board(s) are closest to the drawer dimensions. Extra wide drawers will require two Toolgrid boards. It is best to select Toolgrid boards that are slightly larger than the drawer dimensions. This way you can trim them down for an exact fit.

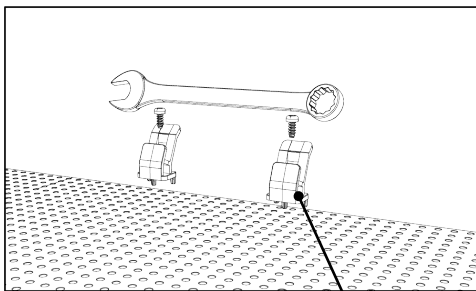
When measuring a drawer allow for features such as flanges and fasteners. There must be enough clearance around the board to allow it to easily slide in place and lay flat.

MANTIS ITEM NO.	PART NO.	DESCRIPTION	COLOUR	QTY TO ORDER
52000	TGB-04	24 1/2" x 26 1/16" Board	Black	<input type="checkbox"/> PCS
52001	TGB-05	29 1/16" x 26 1/16" Board	Black	<input type="checkbox"/> PCS
52002	TGB-06	15 7/8" x 26 1/16" Board	Black	<input type="checkbox"/> PCS
52003	TGB-10	24 1/2" x 22 3/16" Board	Black	<input type="checkbox"/> PCS

» Boards can be easily cut to fit any toolbox drawer, cart drawer or work top.  
(Cutting instructions included with each board)

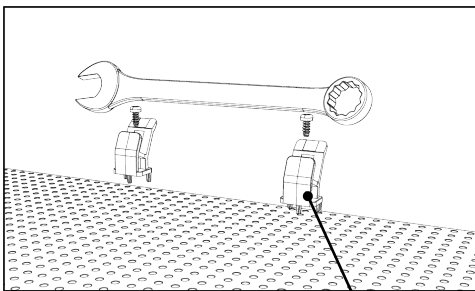
## ORGANIZING WRENCHES (INCLUDING COMBINATION, OPEN-END, RATCHETING & DOUBLE BOX)

**Small Wrench**



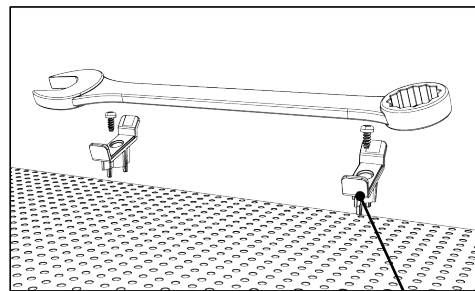
TGH-01PM/S

**Medium Wrench**



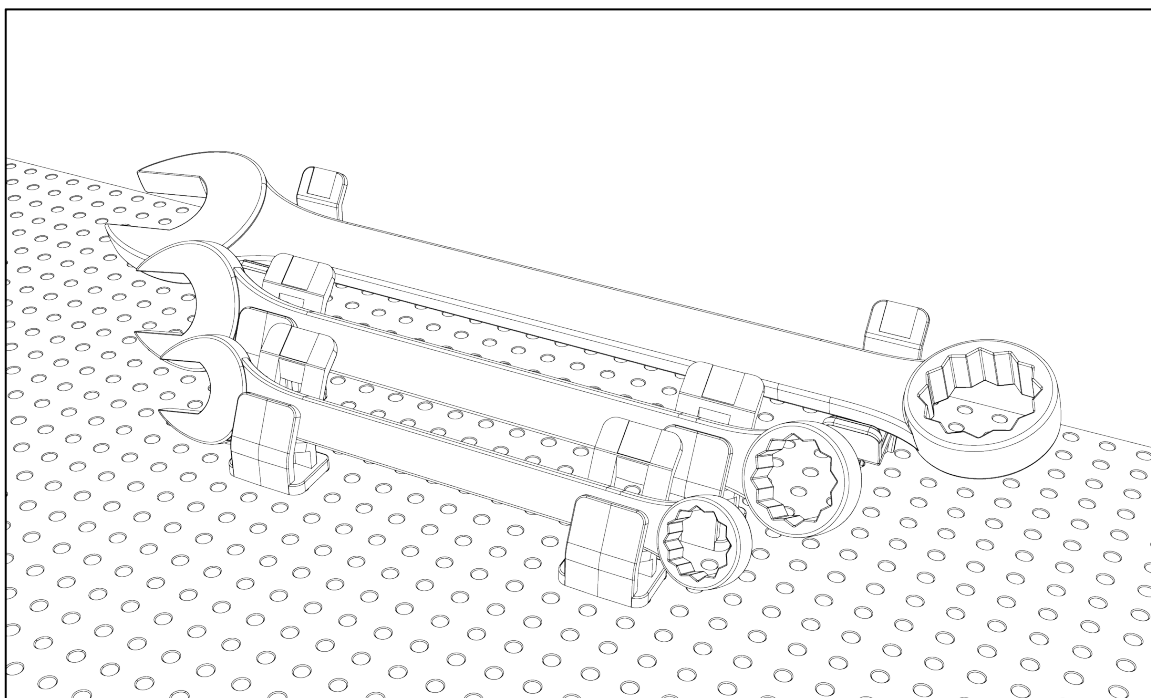
TGH-02PM/S

**Large Wrench**

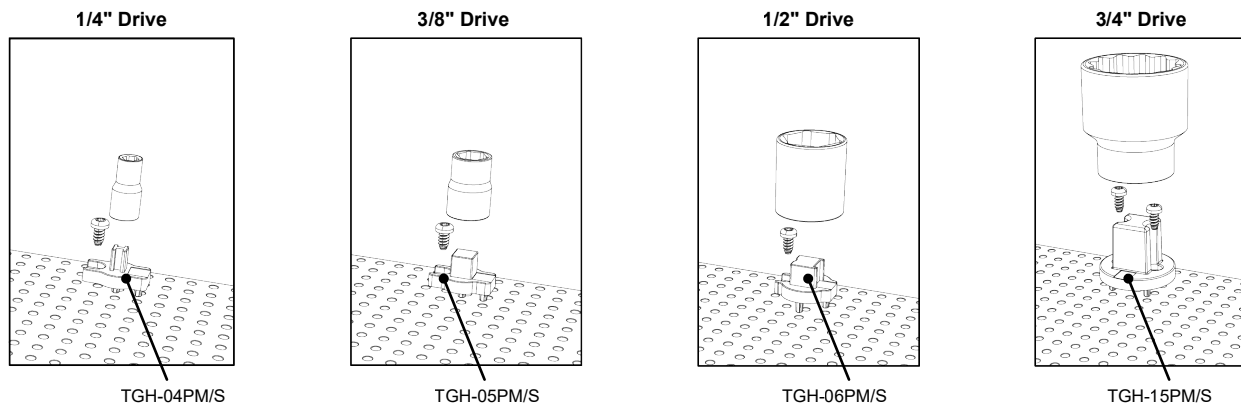


TGH-03PM/S

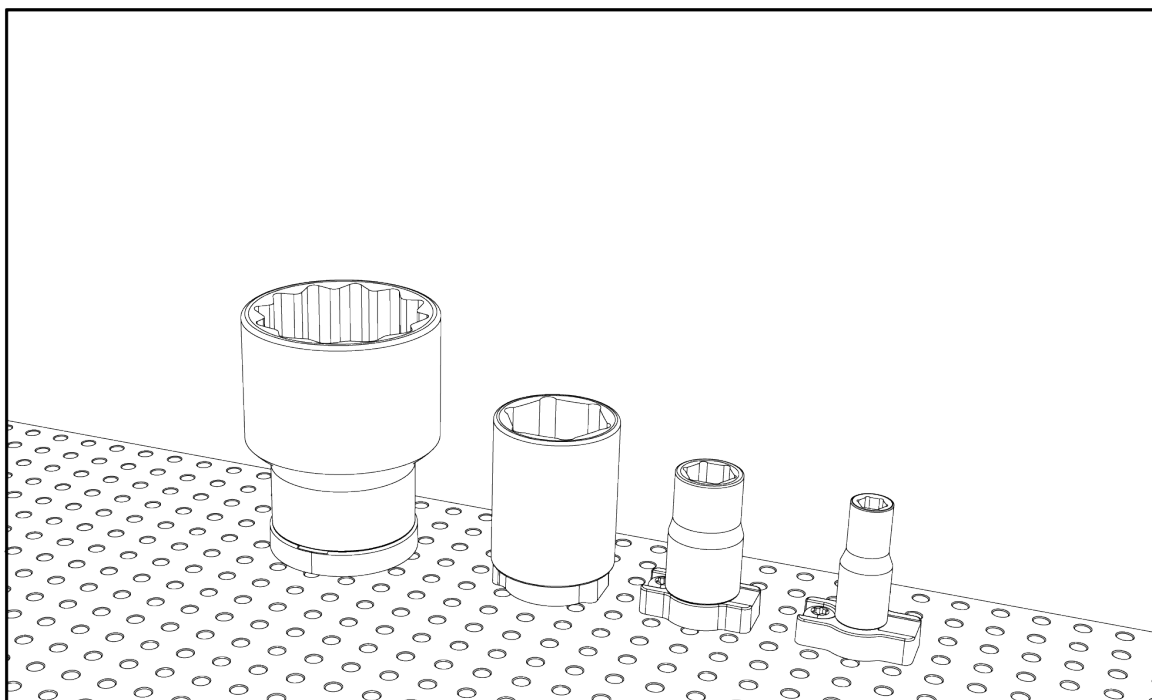
WRENCH SIZE RANGE	# OF WRENCHES		# OF HOLDERS		MANTIS ITEM NO.	PART NO.	DESCRIPTION	COLOUR	
4 mm to 15 mm	<input type="checkbox"/>	Metric	(2 Holders / Wrench)	<input type="checkbox"/>	PCS	51000	TGH-01PM	Small Wrench Holder - Metric	Blue
1/4" to 1/2"	<input type="checkbox"/>	SAE	(2 Holders / Wrench)	<input type="checkbox"/>	PCS	51001	TGH-01PS	Small Wrench Holder - SAE	Red
16 mm to 22 mm	<input type="checkbox"/>	Metric	(2 Holders / Wrench)	<input type="checkbox"/>	PCS	51002	TGH-02PM	Medium Wrench Holder - Metric	Blue
9/16" to 15/16"	<input type="checkbox"/>	SAE	(2 Holders / Wrench)	<input type="checkbox"/>	PCS	51003	TGH-02PS	Medium Wrench Holder - SAE	Red
23 mm and up	<input type="checkbox"/>	Metric	(2 Holders / Wrench)	<input type="checkbox"/>	PCS	51004	TGH-03PM	Large Wrench Holder - Metric	Blue
1" and up	<input type="checkbox"/>	SAE	(2 Holders / Wrench)	<input type="checkbox"/>	PCS	51005	TGH-03PS	Large Wrench Holder - SAE	Red
# OF SCREWS: (1 Screw/ Holder)				<input type="checkbox"/>	PCS	80017	TGS-01	Toolgrid Screw	Silver



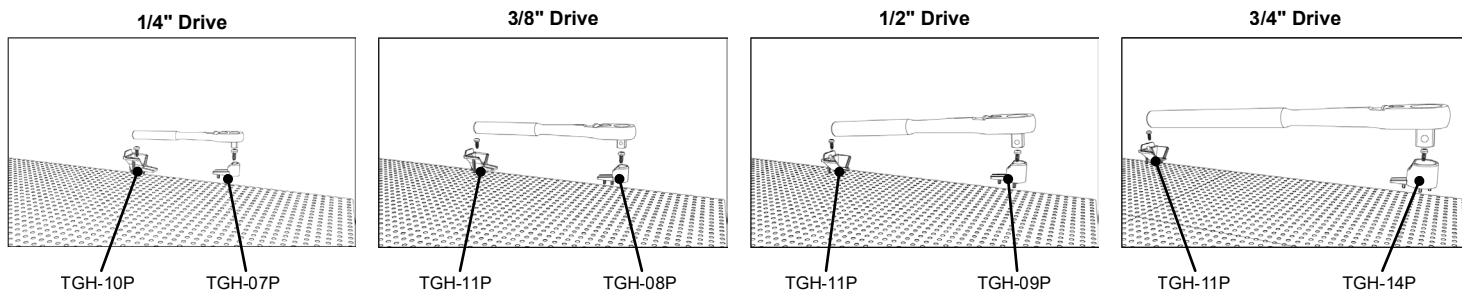
## ORGANIZING SOCKETS (INCLUDING CHROME, IMPACT, UNIVERSAL, TORX®, HEX & ADAPTERS)



DRIVE	# OF SOCKETS		# OF HOLDERS		MANTIS ITEM NO.	PART NO.	DESCRIPTION	COLOUR	
1/4"	<input type="checkbox"/>	Metric	(1 Holder / Socket)	<input type="checkbox"/>	PCS	51006	TGH-04PM	1/4" Socket Holder - Metric	Blue
	<input type="checkbox"/>	SAE	(1 Holder / Socket)	<input type="checkbox"/>	PCS	51007	TGH-04PS	1/4" Socket Holder - SAE	Red
3/8"	<input type="checkbox"/>	Metric	(1 Holder / Socket)	<input type="checkbox"/>	PCS	51008	TGH-05PM	3/8" Socket Holder - Metric	Blue
	<input type="checkbox"/>	SAE	(1 Holder / Socket)	<input type="checkbox"/>	PCS	51009	TGH-05PS	3/8" Socket Holder - SAE	Red
1/2"	<input type="checkbox"/>	Metric	(1 Holder / Socket)	<input type="checkbox"/>	PCS	51010	TGH-06PM	1/2" Socket Holder - Metric	Blue
	<input type="checkbox"/>	SAE	(1 Holder / Socket)	<input type="checkbox"/>	PCS	51011	TGH-06PS	1/2" Socket Holder - SAE	Red
3/4"	<input type="checkbox"/>	Metric	(1 Holder / Socket)	<input type="checkbox"/>	PCS	51012	TGH-15PM	3/4" Socket Holder - Metric	Blue
	<input type="checkbox"/>	SAE	(1 Holder / Socket)	<input type="checkbox"/>	PCS	51013	TGH-15PS	3/4" Socket Holder - SAE	Red
# OF SCREWS: (1/4", 3/8" and 1/2" Drive = 1 Screw / Holder) (3/4" Drive = 2 Screws / Holder)				<input type="checkbox"/>	PCS	80017	TGS-01	Toolgrid Screw	Silver

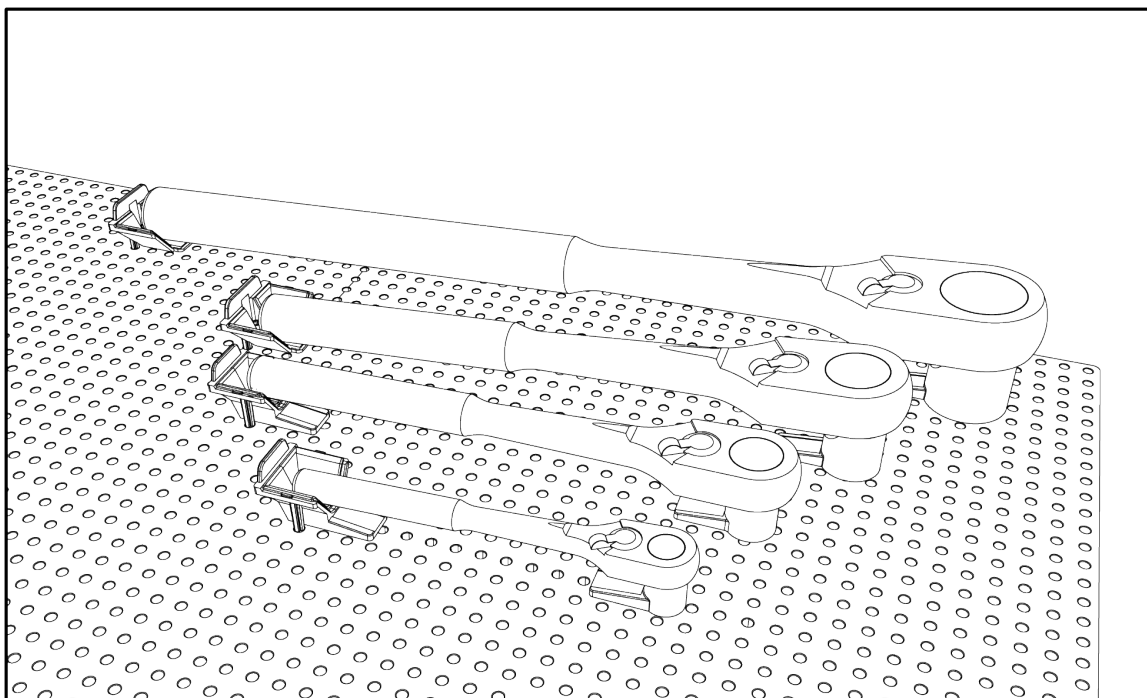


## ORGANIZING RATCHETS (INCLUDING TORQUE WRENCHES & BREAKER BARS)



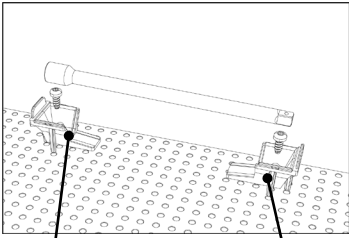
DRIVE	# OF RATCHETS		# OF HOLDERS		MANTIS ITEM NO.	PART NO.	DESCRIPTION	COLOUR
1/4"	<input type="checkbox"/>	(1 Holder / Ratchet Head)	<input type="checkbox"/>	PCS	51014	TGH-07P	1/4" Ratchet Head Holder	Grey
		(1 Holder / Ratchet Handle)	<input type="checkbox"/>	PCS	51018	TGH-10P	Tool Tip Holder	Grey
3/8"	<input type="checkbox"/>	(1 Holder / Ratchet Head)	<input type="checkbox"/>	PCS	51015	TGH-08P	3/8" Ratchet Head Holder	Grey
		(1 Holder / Ratchet Handle)	<input type="checkbox"/>	PCS	51019	TGH-11P	Tool Handle Holder	Grey
1/2"	<input type="checkbox"/>	(1 Holder / Ratchet Head)	<input type="checkbox"/>	PCS	51016	TGH-09P	1/2" Ratchet Head Holder	Grey
		(1 Holder / Ratchet Handle)	<input type="checkbox"/>	PCS	51019	TGH-11P	Tool Handle Holder	Grey
3/4"	<input type="checkbox"/>	(1 Holder / Ratchet Head)	<input type="checkbox"/>	PCS	51017	TGH-14P	3/4" Ratchet Head Holder	Grey
		(1 Holder / Ratchet Handle)	<input type="checkbox"/>	PCS	51019	TGH-11P	Tool Handle Holder	Grey

# OF SCREWS:  PCS 80017 TGS-01 Toolgrid Screw Silver  
(1 Screw / Holder)



## ORGANIZING EXTENSIONS

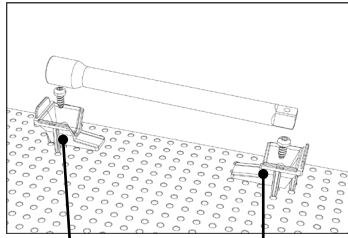
1/4" Drive



TGH-10P

TGH-10P

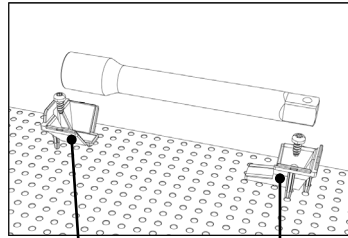
3/8" Drive



TGH-10P

TGH-10P

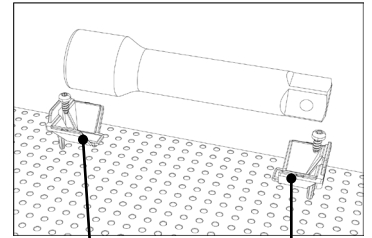
1/2" Drive



TGH-11P

TGH-10P

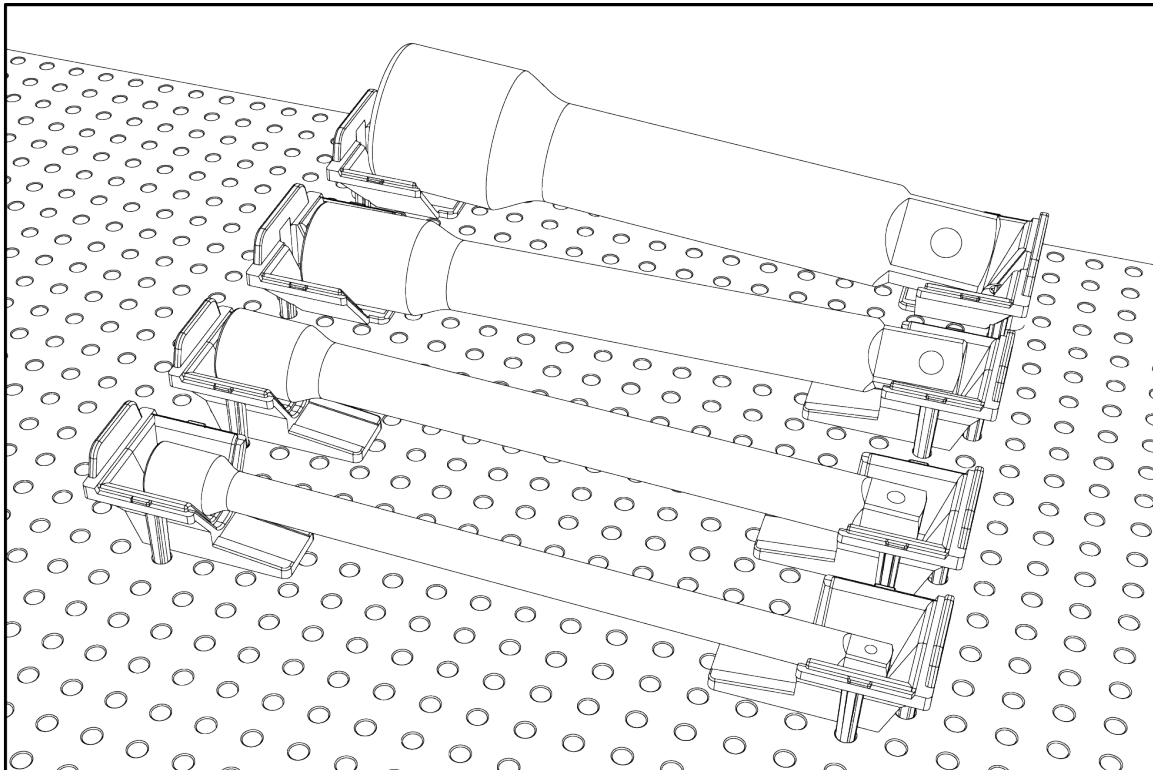
3/4" Drive



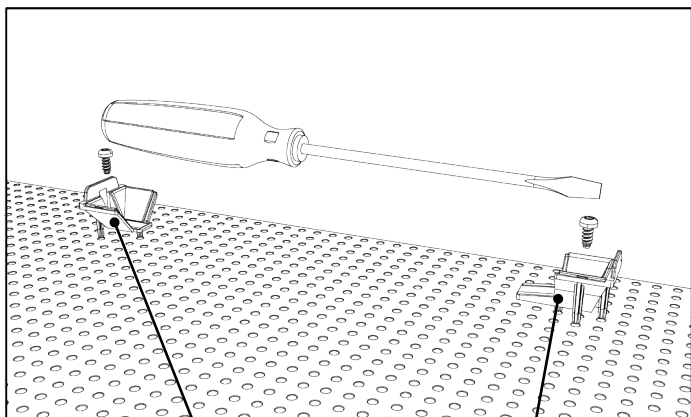
TGH-11P

TGH-11P

DRIVE	# OF EXTENSIONS	# OF HOLDERS	MANTIS ITEM NO.	PART NO.	DESCRIPTION	COLOUR	
1/4"	<input type="checkbox"/> (2 Holders / Extension)	<input type="checkbox"/> PCS	51018	TGH-10P	Tool Tip Holder	Grey	
3/8"	<input type="checkbox"/> (2 Holders / Extension)	<input type="checkbox"/> PCS	51018	TGH-10P	Tool Tip Holder	Grey	
1/2"	<input type="checkbox"/> (1 Holder / Male End)	<input type="checkbox"/> PCS	51018	TGH-10P	Tool Tip Holder	Grey	
	<input type="checkbox"/> (1 Holder / Female End)	<input type="checkbox"/> PCS	51019	TGH-11P	Tool Handle Holder	Grey	
3/4"	<input type="checkbox"/> (2 Holders / Extension)	<input type="checkbox"/> PCS	51019	TGH-11P	Tool Handle Holder	Grey	
# OF SCREWS: (1 Screw / Holder)			<input type="checkbox"/> PCS	80017	TGS-01	Toolgrid Screw	Silver

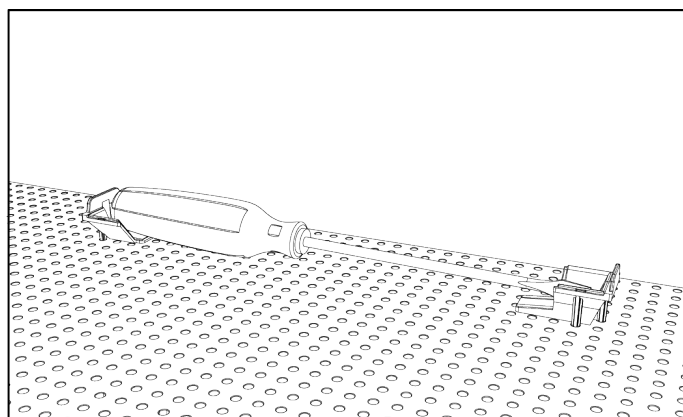


## ORGANIZING SCREWDRIVERS (INCLUDING STANDARD, NUT DRIVERS & MULTI-BIT)



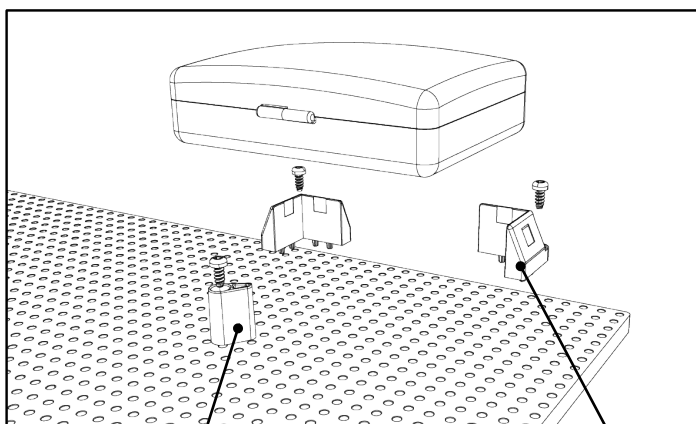
TGH-11P

TGH-10P



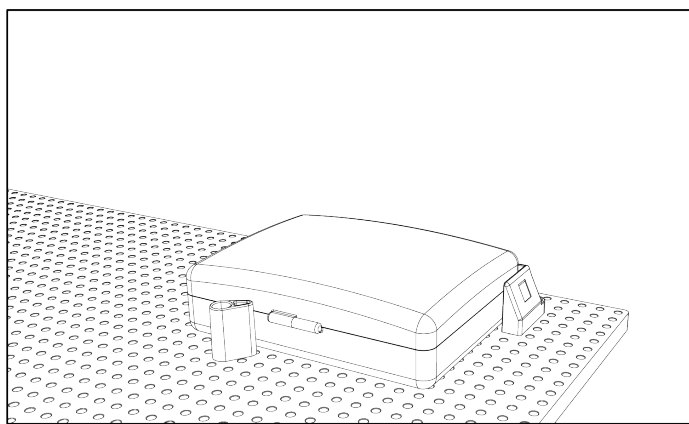
# OF SCREWDRIVERS	# OF HOLDERS	MANTIS ITEM NO.	PART NO.	DESCRIPTION	COLOUR	
<input type="checkbox"/> (1 Holder / End)	<input type="checkbox"/> PCS	51018	TGH-10P	Tool Tip Holder	Grey	
<input type="checkbox"/> (1 Holder / Handle)	<input type="checkbox"/> PCS	51019	TGH-11P	Tool Handle Holder	Grey	
# OF SCREWS: (1 Screw / Holder)		<input type="checkbox"/> PCS	80017	TGS-01	Toolgrid Screw	Silver

## ORGANIZING CONTAINERS (INCLUDING TOOL CASES & PART BINS)



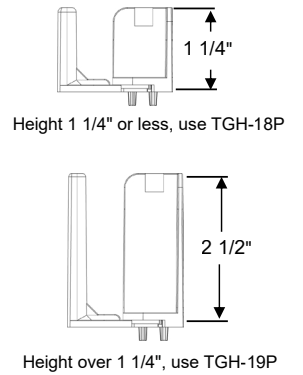
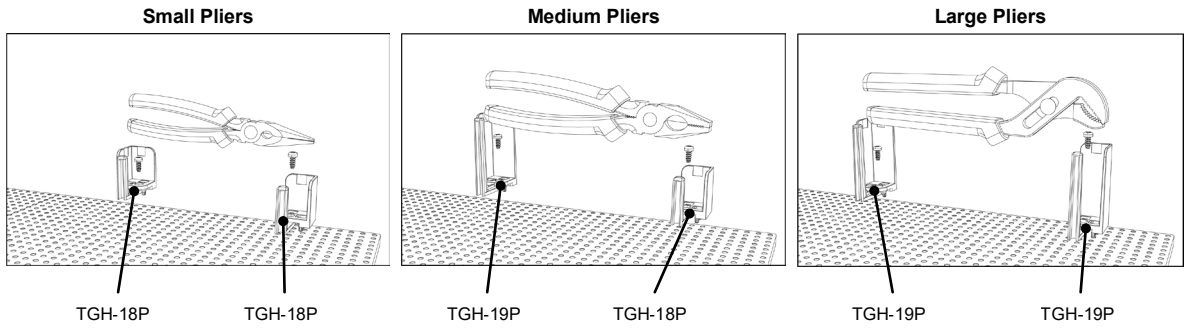
TGH-12

TGH-13P

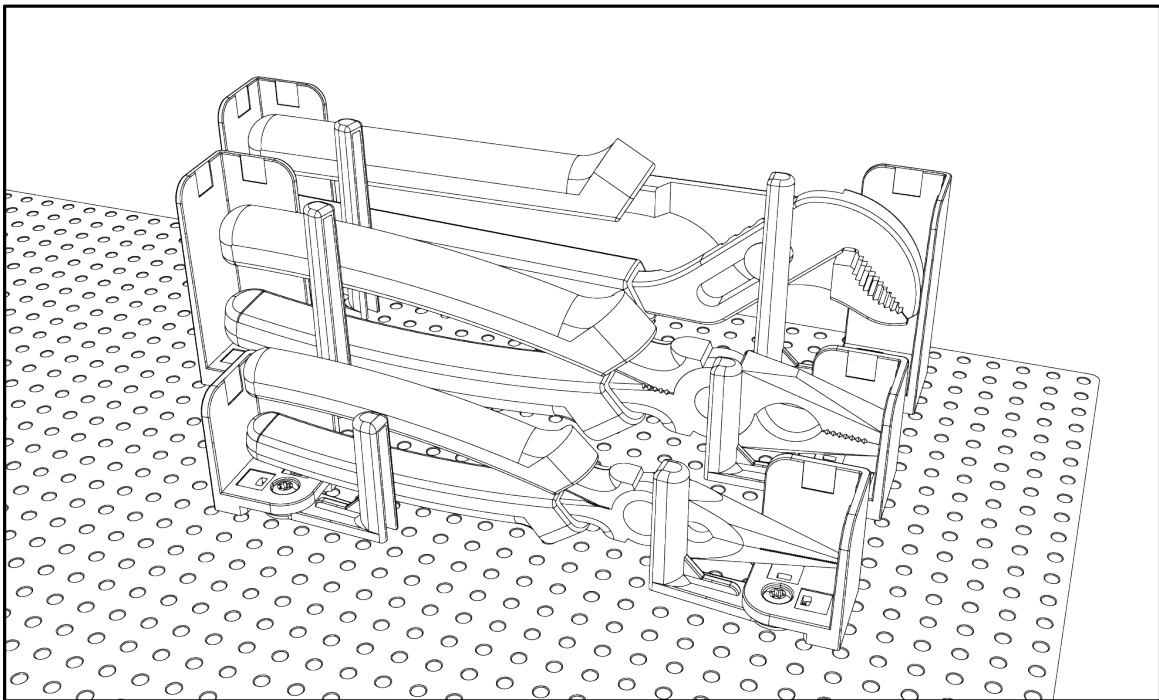


# OF CONTAINERS	# OF HOLDERS	MANTIS ITEM NO.	PART NO.	DESCRIPTION	COLOUR	
<input type="checkbox"/> (1 Holder / Container)	<input type="checkbox"/> PCS	51020	TGH-12	Cam Holder	Grey	
<input type="checkbox"/> (2 Holder / Container)	<input type="checkbox"/> PCS	51021	TGH-13P	Corner Holder	Grey	
# OF SCREWS: (1 Screw / Holder)		<input type="checkbox"/> PCS	80017	TGS-01	Toolgrid Screw	Silver

## ORGANIZING PLIERS (INCLUDING AN ASSORTMENT OF HAND TOOLS)

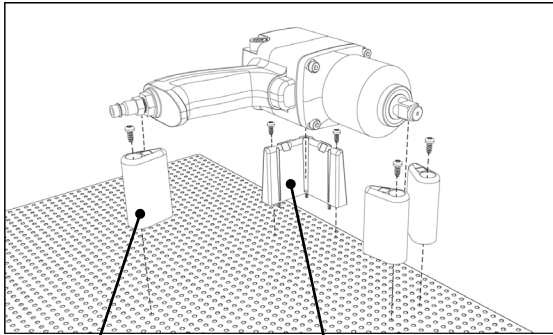


	# OF PLIERS		# OF HOLDERS		MANTIS ITEM NO.	PART NO.	DESCRIPTION	COLOUR		
Option1	<input type="checkbox"/>	(2 Holders / Pliers)	<input type="checkbox"/>	PCS	51023	TGH-18P	Small Universal Holder	Grey		
Option2	<input type="checkbox"/>	(1 Holder / Handle)	<input type="checkbox"/>	PCS	51023	TGH-18P	Small Universal Holder	Grey		
	<input type="checkbox"/>	(1 Holder / End)	<input type="checkbox"/>	PCS	51024	TGH-19P	Medium Universal Holder	Grey		
Option3	<input type="checkbox"/>	(2 Holder / Pliers)	<input type="checkbox"/>	PCS	51024	TGH-19P	Medium Universal Holder	Grey		
				# OF SCREWS: (1 Screw / Holder)	<input type="checkbox"/>	PCS	80017	TGS-01	Toolgrid Screw	Silver



## ORGANIZING LARGE TOOLS (INCLUDING POWER DRILLS, HAMMERS AND LARGE CASES)

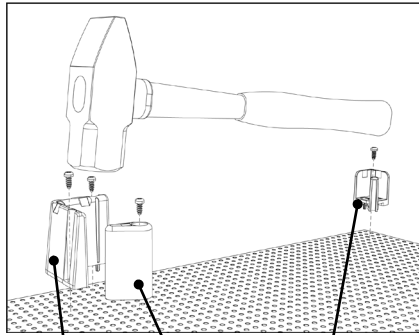
**Power Tools**



TGH-20

TGH-21P

**Large and Medium Hammers**

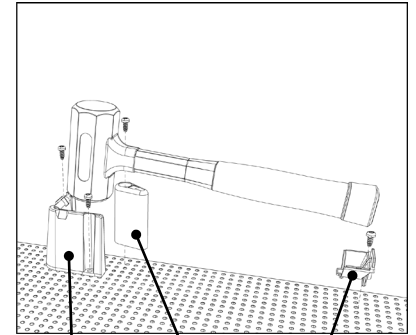


TGH-21P

TGH-20

TGH-18P

**Small Hammers**



TGH-21P

TGH-20

TGH-11P

# OF TOOLS	# OF HOLDERS	MANTIS ITEM NO.	PART NO.	DESCRIPTION	COLOUR	
<div style="border: 1px solid black; width: 20px; height: 20px; display: inline-block;"></div> (Number of holders per tool will vary)	<div style="border: 1px solid black; width: 20px; height: 20px; display: inline-block;"></div>	PCS	51033	TGH-20	Large Cam Holder	Grey
	<div style="border: 1px solid black; width: 20px; height: 20px; display: inline-block;"></div>	PCS	51034	TGH-21P	Large Corner Holder	Grey
	<div style="border: 1px solid black; width: 20px; height: 20px; display: inline-block;"></div>	PCS	51019	TGH-11P	Handle Holder	Grey
	<div style="border: 1px solid black; width: 20px; height: 20px; display: inline-block;"></div>	PCS	51023	TGH-18P	Universal Holder	Grey

**# OF SCREWS:**  
 (TGH-20 = 1 Screw / Holder)  
 (TGH-21P = 2 Screw / Holder)  
 (TGH-11P = 1 Screw / Holder)  
 (TGH-18P = 1 Screw / Holder)

<div style="border: 1px solid black; width: 20px; height: 20px; display: inline-block;"></div>	PCS	80017	TGS-01	Toolgrid Screw	Silver
--	-----	-------	--------	----------------	--------

