

ACTpro



Integrated Access Control
& Video Management Solutions

ACT



Introducing ACTpro

ACT is dedicated to the design and manufacture of high-quality, reliable products. We pride ourselves on our friendly, knowledgeable support team. The ACTpro range offers a truly best-in-class access control experience. Working closely with security professionals, specifiers and end-users since 1995, we have developed the ACTpro range to address the needs of even the most demanding of access control scenarios.

ACTpro delivers seamless integration between access control and ACTvquest, our powerful video management solution.

For more information on ACT and the ACTpro range of products, don't hesitate to call us today.

A handwritten signature in black ink, appearing to read 'David Tymlin'.

David Tymlin

Managing Director

Why Networked Access Control?

- **ELIMINATE UNNECESSARY COSTS:**
Never change a lock again if keys are lost or stolen.
- **CONVENIENT:**
Easily disable cards or fobs from the system to deny staff or ex-employees access when appropriate.
- **SECURE DOORS:**
Doors automatically lock when door is closed.
- **CONTROL ACCESS RIGHTS AND TIMES:**
Decide when and where staff have access.
- **REPORTING:**
Know the who, when and where within your premises. Run reports on events, time and attendance and audit trails.
- **MUSTER LIST:**
Keep an accurate list of all employees on site in the event of a fire or emergency.



Access Control Controllers

Market leading technology,
with a 5 year guarantee

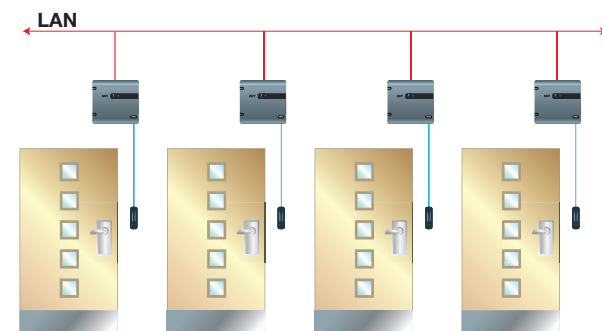


ACTpro 1520e

- Single Door IP Controller
- Dual Ethernet Switch
- 2 Amp Power Supply
- Distributed Intelligence
- Supports 60,000 Users
- Status LED's
- Anti Passback
- Interlock
- I/O Modules
- Works with ACT Enterprise Software
- Networkable up to 4000 Doors
- Compatible with ACTpro 4000 & ACTpro 4200
- Non PSU version available (ACTpro 1500e)



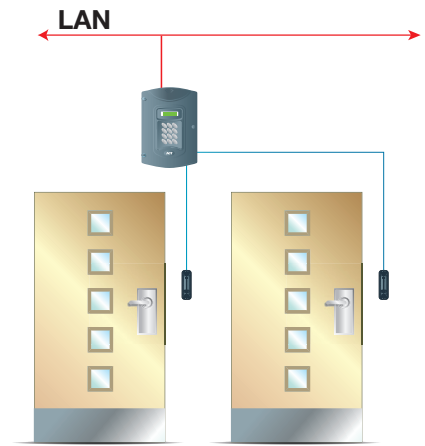
ACTpro 1520e & 1500e
Single Door Controller



1520e Controllers over Ethernet
(Entry & Exit Readers on each door)

ACTpro 4000

- Two Door IP controller
- 60,000 Users
- Over 1,000 User Groups
- Timed Anti Passback
- Works with ACT Enterprise Software
- I/O Modules
- Auto Discovery
- Compatible with ACTpro 1520e and ACTpro 4200 Controllers
- Networkable up to 4000 doors



Two Doors per ACTpro 4000 Controller
(Entry & Exit Readers on each door)



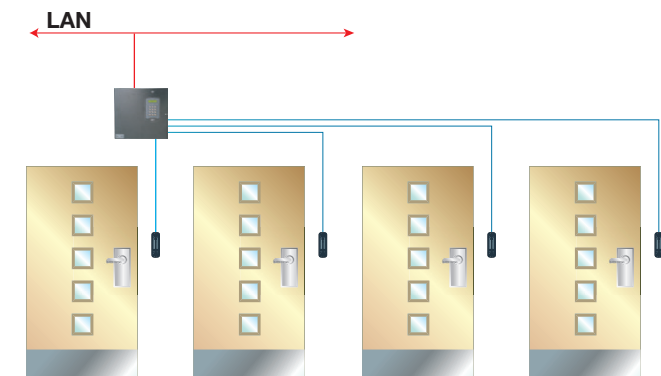
ACTpro 4000
Two Door Controller



ACTpro 4200
Four Door Controller

ACTpro 4200

- Four Door IP controller
- 3 Amp Power Supply
- 60,000 Users
- Over 1,000 User Groups
- Timed Anti Passback
- Works with ACT Enterprise Software
- I/O Modules
- Auto Discovery
- Compatible with ACTpro 1520e and ACTpro 4000 Controllers
- Networkable up to 4000 doors



Four Doors per ACTpro 4200 Controller
(Entry & Exit Readers on each door)

ACTpro Readers

Suitable for indoor and outdoor use, ACTpro readers are designed in a variety of forms and reader technologies



IP Ratings Explained

- » 6 - Dust Tight
- » 7 - immerse up to 1m (for 30 minutes)



ACT Access Readers

- Proximity (1040e) / Proximity and PIN (1050e)
- Available as MIFARE, DESFire EV1, RFID (125kHz)
- Surface or Flush mount readers
- Tri-colour LED indication
- Robust Polycarbonate Housing (IP67)
- Compatible with all ACTpro Controllers
- Keypad Backlighting



ACT Mullion Readers

- Slim-line reader (1030e)
- Available as MIFARE, DESFire EV1, RFID (125kHz)
- Compatible with all ACTpro Controllers
- Vandal resistant cover available
- 3 Metre Lead
- Tri-colour LED indication
- Robust Polycarbonate Housing (IP67)



Panel Mount Readers

- Panel mount reader (1030PM)
- Easy to mount on single gang electrical box
- Sleek design
- Versatile discreet design for any application





ACT Long Range Receiver

- ACT433 RX Long Range Receiver
- Compatible with all ACTpro Controllers
- Up to 50m range
- 2 Channel Receiver
- Perfect Choice for Entrance Barriers

ACT Cards, Fobs & Transmitters

ACT Cards

- RFID (125 kHz), MIFARE or MIFARE DESFire EV1 options
- Suitable for printing Employee ID Badges
- Cardholders and Lanyards available
- Rugged Halfshell Option available



ACT Fobs

- RFID (125 kHz) or MIFARE options available
- Rugged and Robust
- Suitable for a Keyring



ACT Long Range Transmitter

- 2 Channel Transmitter
- For use with ACT433 Long Range Receiver
- Option for built in prox fob for use with ACTpro readers



ACTpro eLock

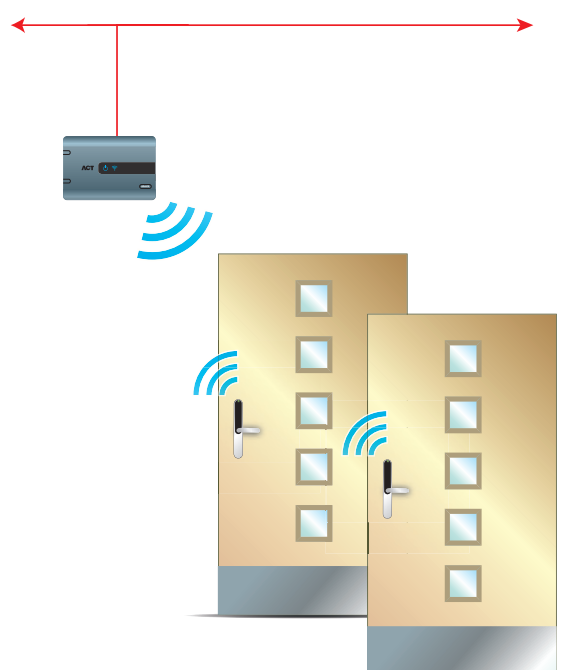
The ACTpro eLock is a versatile, battery operated wireless solution. The eLock can be installed on any door with a euro profile lock. Elocks are compatible with the ACTpro range of hardware and software.

ACTpro eLock Hub

ACTpro eLock hub is compatible with our existing range of network door controllers.



- Control up to 32 locks per hub
- Unlimited number of hubs supported on your ACTpro system
- POE capability or 12V power supply
- Auto-detects locks within range
- 60,000 users



ACTpro eLock Features



LONG RANGE

Long-range wireless technology, with up to 32 locks per hub.



LONG BATTERY LIFE

Up to 3 years battery life or up to 200,000 operations of the lock.



ALERTS

Visual and audible system health alerts.



SAFE EGRESS

Always allows free-egress from the protected side of the door.



KEY OVERRIDE

Available with or without key override for doors of 35mm-60mm in width.



FIRE INTEGRATION

Integrates with Fire Panel to unlock doors in the event of a fire.



CARD TECHNOLOGY

Compatible with a wide range of card technologies - MIFARE, DESFire EV1 and RFID (125kHz).



Key Override*



Privacy Latch or
Key Override*

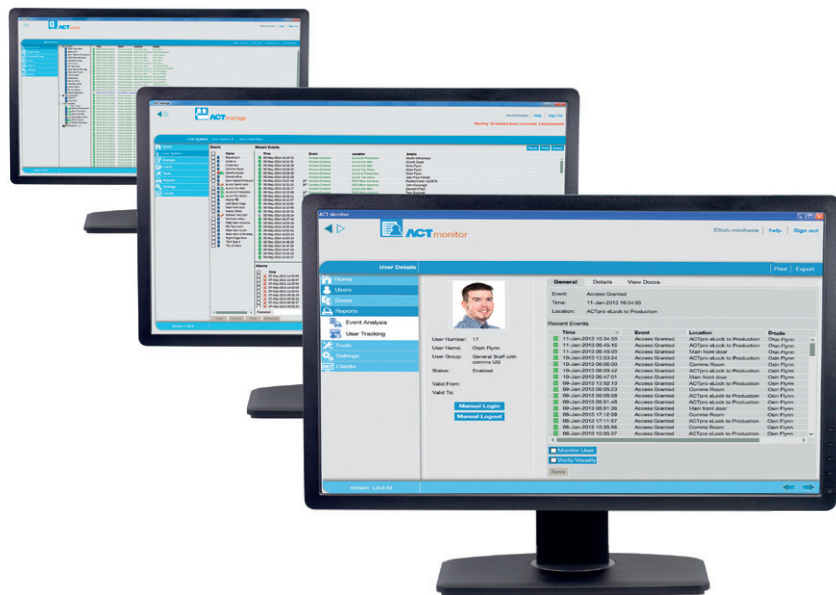


No Key Override

*Cylinders and Privacy Latch not included

ACT Enterprise

ACT Enterprise is a role-based access control software suite with three specialised modules based on user type.



ACT INSTALL

ACT Install is used by the installer to set up controllers, readers and user profiles.



ACT MANAGE

ACT Manage is used by system administrators to facilitate and manage the day to day operation of the system.



ACT MONITOR

ACT Monitor is used by the security guard/manager to view and monitor alarm events.

ACT Enterprise Features

ACT Enterprise for...



SECURITY

- Card and User Management
- User Groups & Time zones (Control who goes where and when)
- Lock/Unlock All Doors
- Real Time Events
- Anti Passback
- System Alarm Acknowledgment
- Elevator Control
- Random Challenge



HEALTH & SAFETY

- Muster/Emergency Report (Automatic Print or Email)
- Fire Panel Integration (Open all doors in the event of a fire)
- Site Maps
- Counting Areas



HUMAN RESOURCES

- Database of all employees
- Import Utility to interface with HR System*
- Design & Print ID Cards
- Time & Attendance Report
- Holidays



IT

- Server or Virtual Server Environment
- Painless Upgrades
- ACT API for 3rd Party Integrations (Application Programming Interface)*

*Separate Modules



ACT Enterprise Lite vs Pro:

FEATURE	LITE	PRO
Doors	100	unlimited
PC Clients	1	unlimited
Multi-Tenant	✗	✓
ACT Monitor	✗	✓

ACTpro System Integrations

ACTpro hardware coupled with ACT Enterprise software provides you with a vast array of integrations to ensure you get the most from your ACTpro system. At ACT we work closely with key strategic partners to provide you with world class integrated solutions.



FIRE ALARM

ACTpro hardware integrates with your fire panel. The ACTpro system can be configured to automatically open all doors in the event of a fire.

The ACTpro system is the industry leader in fire panel integration as both our **wired systems** and **wireless systems** will automatically unlock in the event of a fire.

A muster report will also automatically be sent to a designated printer and/or an email sent to appropriate personnel with a list of all people on site at the time of the fire.



INTRUDER ALARM

ACTpro hardware integrates with any intruder alarm securing your premises and reducing false alarms.

This integration allows the user to arm or disarm their alarm from their keypad (ACTpro 1050e) when arriving to the building in the morning or leaving at night.



CCTV

ACT Enterprise software has integrated with CCTV manufacturers to allow you to associate doors with cameras to provide video evidence of an access control event.

For a true integration supported by one manufacturer see ACTviquest



BIOMETRIC

For high security doors biometric solutions should be considered. ACT Enterprise has integrated with leading biometric manufacturers to offer choice and flexibility.



LONG RANGE & THIRD PARTY READERS

ACT controllers will operate with third party long range readers useful for vehicle barriers, wheelchair access or when hands free access is required.

ACT controllers are compatible with all readers that give a wiegand or clock and data output.



TIME & ATTENDANCE

ACT Enterprise comes complete with a time and attendance report.

If greater functionality is required ACT Enterprise integrates with leading time and attendance software providers to allow you to benefit from a complete T&A system while using existing ACTpro hardware.



CLUB MANAGEMENT & GYM MEMBERSHIP

ACT Enterprise integrates with club management and gym membership software packages allowing customers to manage their clubs from one interface and only having to update one database.



STUDENT/CLASSROOM ATTENDANCE (SIMS)

ACT Enterprise interfaces with student attendance systems to calculate attendance ratios and student absenteeism.



CASHLESS VENDING

Utilise MIFARE or MIFARE DESFire EV1 card technology to create a cashless society in your organisation. Use your access control card to pay for meals, goods and services.



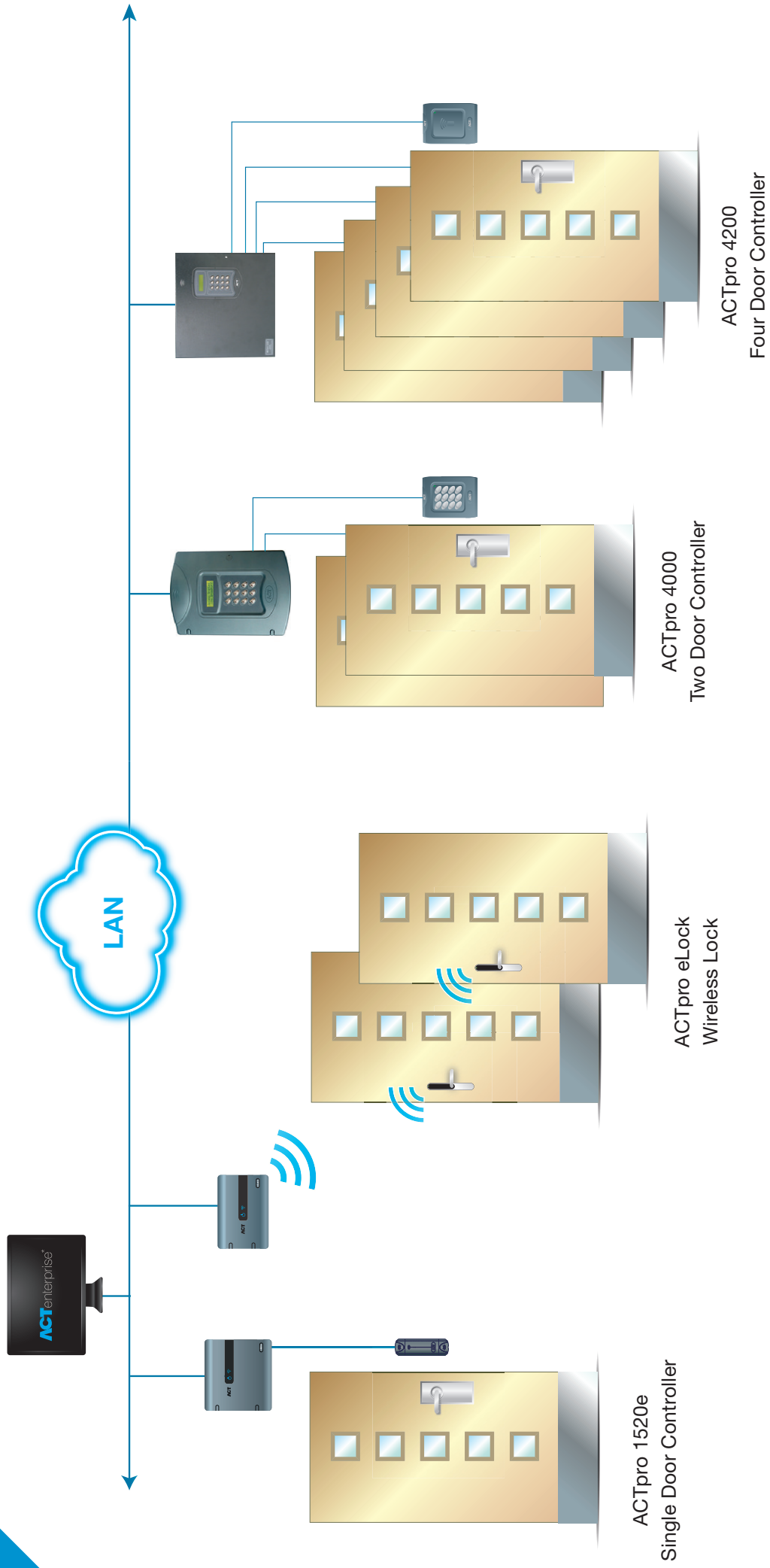
FOLLOW ME PRINTING

Utilise MIFARE or MIFARE DESFire EV1 card technology to avoid print queues, track printing costs and to ensure you are at the printer when your documents are printing.



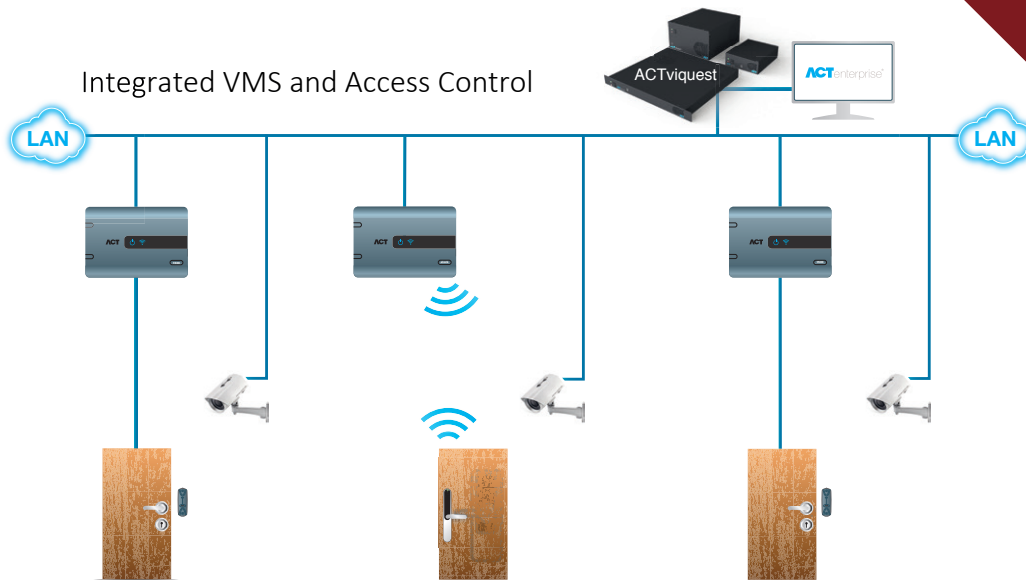
Please contact sales@act.eu for more information on integration partners.

ACTpro - Simple, Flexible, Powerful



Integrated Solutions

ACTviquest associates cameras with doors to provide the user with an integrated access control and video management solution.



The ACTviquest offering is broken down as follows:

ACTviquest

16 Channel, 4TB NVR with integrated access control (ACT Enterprise Lite), in a simple plug-and-play system. Ideal for small to medium systems.

ACTviquest+

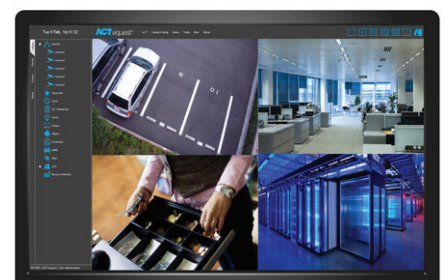
32 Channel, 12TB enterprise level NVR with integrated access control (ACT Enterprise PRO). Ideal for medium to large systems.

ACTviquest PRO

Enterprise Level Software Only. Includes Video Wall and integrated access control (ACT Enterprise PRO). Ideal for large control room level applications.

ACTviquest Wall

ACTviquest Wall is a powerful and scalable video wall solution for ACTviquest+ or ACTviquest PRO. It allows you to span video over an unlimited number of monitors.



Supported cameras include:



Market Sectors

The ACTpro range is suitable for wide range of markets.



HEALTHCARE

The flexibility of the ACTpro range allows you to easily manage public areas and permit access to restricted areas whilst preventing unauthorised access.

FLAGSHIP SITES: Kings College Hospital - UK, St James Hospital - Ireland, Oxfordshire Mental Health – UK, Royal Sussex (Brighton Hospital) - UK



COMMERCE AND INDUSTRY

Providing a safe environment for clients and staff is a top-priority for any organisation. Ensure safe access and fire-safety with ACTpro access control.

FLAGSHIP SITES: Cook Medical – Germany, Glanbia – Ireland, Coca Cola Bottling Plants – Greece, De La Rue Plant – UK, ITN - UK



EDUCATION

High numbers of students and staff seek access to multiple public areas, offices, sports facilities and student accommodation. ACTpro MIFARE smart card solutions ensure you are using the most robust and secure technology for your campus in the most efficient way.

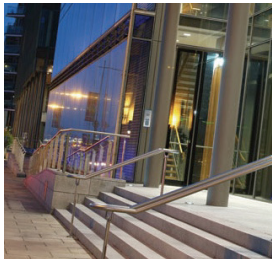
FLAGSHIP SITES: Dublin Institute of Technology – Ireland, Sheffield University – UK, Westminster School London - UK, Gdansk University – Poland, Royal College of Surgeons – Ireland



TRANSPORT

With global threats to air and ground transport hubs ever present, real-time site-map monitoring by security staff will help ensure safety of staff and the public. ACT Enterprise software offers a scalable, multi-site solution.

FLAGSHIP SITES: DSV Logistics – Denmark, London Stansted Airport – UK, London Luton Airport – UK, Dublin Port – Ireland, Seychelles Airport – Seychelles, Severn River Crossing – UK



Commercial



Healthcare



Industrial



Education



GOVERNMENT AND MUNICIPAL

The highest level of security is required for Government buildings, Military installations, Police Stations and Courthouses. The ACTpro range will ensure the highest level of protection against card-fraud and security breaches.

FLAGSHIP SITES: HM Passport Office – UK, Dáil Éireann (Parliament Buildings) – Ireland, Central Criminal Courts – Ireland, Police Stations – Norway



CONSTRUCTION

Harsh environments which face many immediate dangers and extreme weather conditions, construction sites will benefit from the robust housing and waterproofing of the ACTpro range of readers.



LEISURE AND RECREATION

From tens of thousands of people in your stadium on match day, controlling access from secure pitch-side areas, or a small fitness centre, using entry and exit records for payment and membership, the ACTpro range is the versatile and reliable solution for you.

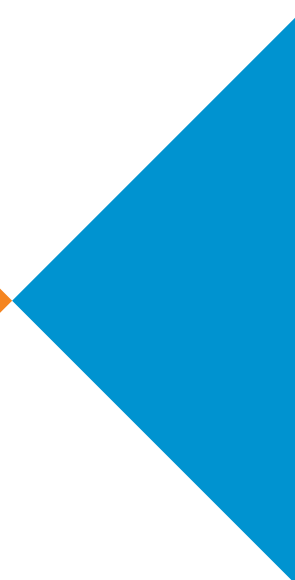
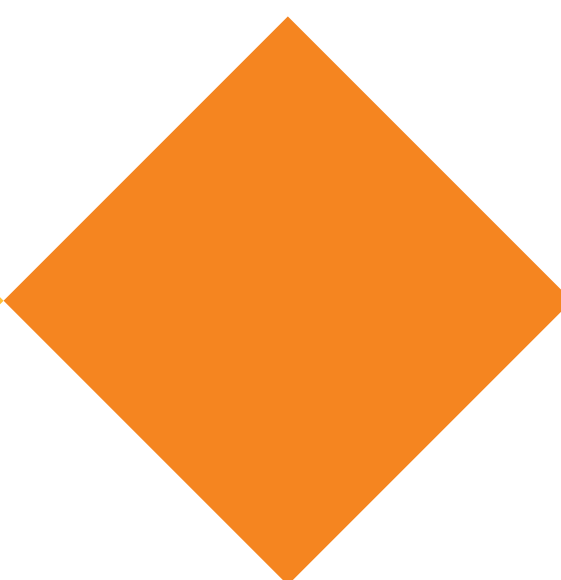
FLAGSHIP SITES: Liverpool Football Stadium (Anfield) – UK, Twickenham Stadium – UK, Lord's Cricket Grounds – UK, National Stadium Warsaw – Poland, Manoel Marina - Malta



RETAIL

Interlock systems controlling access to cash-offices, securing high-ticket items in stock areas, controlling supplier personnel and vehicle access can all be fully integrated using the ACTpro range.

FLAGSHIP SITES: ASDA Supermarkets – UK, Hyper U Supermarket – France, LIDL Supermarkets – Ireland, Dunnes Stores – Ireland, Manchester Arndale Centre - UK



Educational Complex

Deployment Example

A

Area: The Entrance Barrier

Product: ACT433

- Use:**
- Open the barrier
 - Using a long range transmitter & receiver



B

Area: Front Door

Product: ACTpro 1520e Controller & ACTpro 1050e Reader

- Use:**
- Open door using Pin or Prox
 - Enable or Disable the Intruder Alarm



C

Area: Internal Doors

Product: ACTpro eLock & Hub

- Use:**
- Secure internal office doors
 - Wireless technology up to 150m Range



D

Area: Security Office / HR Office

Product: ACT Enterprise Software

- Use:**
- Add/Delete Fobs
 - Create Access Levels & Time zones
 - Alerts for doors forced or ajar
 - Run Reports
 - Event Log
 - Time & Attendance
 - Audit Trail
 - Design & Print ID Badges

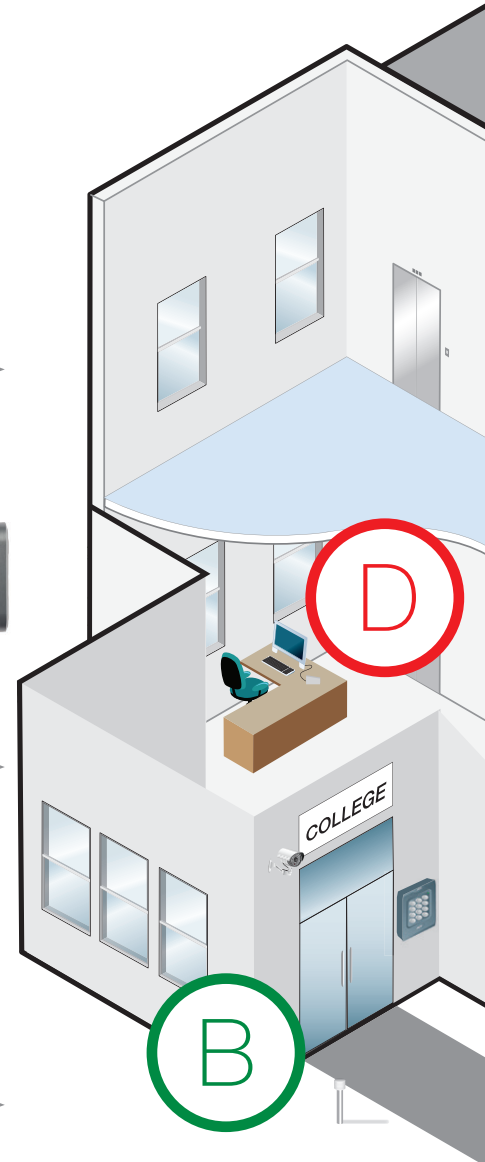


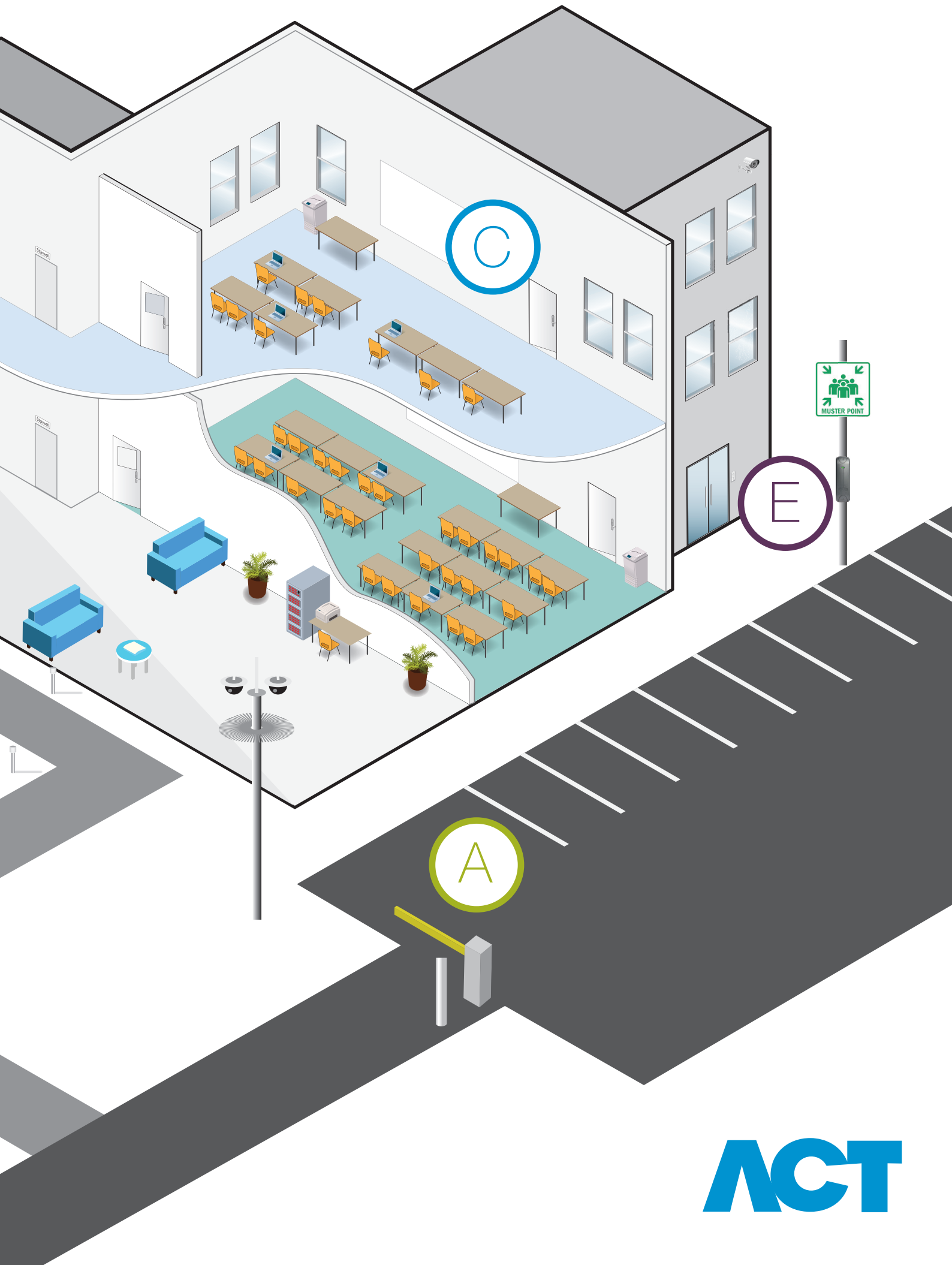
E

Area: Muster Point

Product: ACT Enterprise & ACTpro 1030e

- Use:**
- Print Accurate Muster List (Roll Call)
 - Check that all employees are safe in an emergency





ABOUT ACT

Access Control Technology Ltd. (ACT) provide high quality access control and video management solutions. Our highly experienced engineering teams continue to deliver innovative and reliable products.

TECHNICAL SUPPORT

ACT's technical support team provide assistance and training to our network of installers and providers.

HOW TO BUY?

All our products are made available through our network of distributors throughout the EMEA region.

For more information on ACTpro or other ACT product ranges please contact sales@act.eu or visit:

www.act.eu



Ireland Office
Unit C1, South City Business Centre,
Tallaght, Dublin 24, Ireland.
Tel: +353 (0)1 466 2570

United Kingdom Office
601 Birchwood One, Dewhurst Road, Birchwood,
Warrington, WA3 7GB, UK.
Tel: +44 (0)161 236 9488

Email: info@act.eu

www.act.eu

ACT hardware is **CE certified**



ACT