



The EA Speed Blade waist-high turnstile is the most space saving type of the EA range of turnstiles. The stylish appearance perfectly harmonises with high safety and traffic flow capacity.

Visually the EA Speed Blade will be in accord in any modern interior providing reliable security control against unauthorised access.

EA Speed Blade is ideally suited in a range of different building types including banks, commercial buildings, administrative, fitness centres.

EA Speed Blade can operate in normally closed and normally open mode. In the case of power voltage failure both access directions are free. The turnstile is controlled manually or by a control system. Blades are opened/closed in 0.8 seconds providing a high traffic flow capacity (up to 30 persons per minute) without safety inhibition.

Different top cover options are available to assist in incorporating the turnstile design into its surrounding area and these include; Steel (standard), Glass, Wood and Polystone.

Controlled by

- Access control system
- Manual control

When power goes OFF both directions are free.

Electrical Specifications

- Voltage:
 - from the AC (100–240) V, 50/60 Hz
 - from a DC source 12 V
- Maximum power consumption:
155 W per pass;

The art of making an entrance

Technical Specifications

 **30**
pers/min
CROSSING CAPACITY

 **0,8**
pers/min
SINGLE PASS

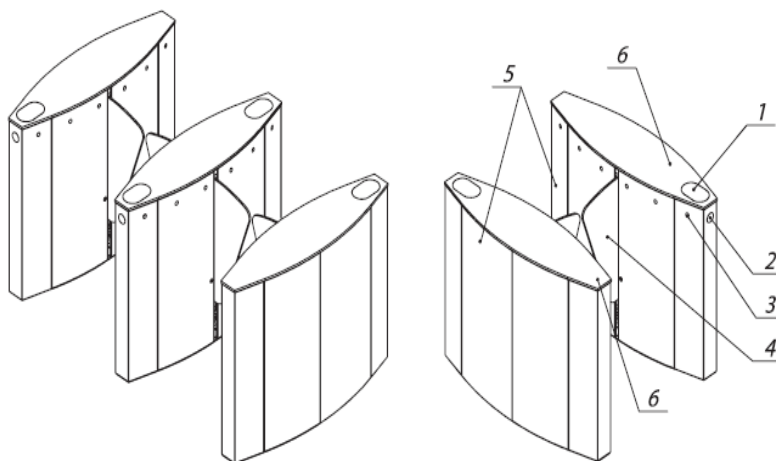
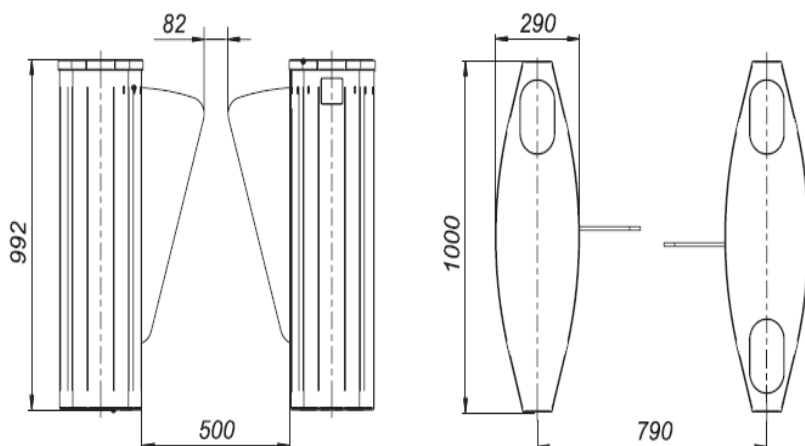
 **500**
mm
PASSAGE WIDTH

Width Single pass - 1080 mm
Two-pass - 1870 mm

Length 1000 mm

Height 992 mm

Weight (no more than) Single pass - 202 kg
Two-pass - 324 kg



- 1 - card reader and LED display;
- 2 - LED display;
- 3 - access sensors;
- 4 - glass leaf;
- 5 - turnstile housing;
- 6 - cover