



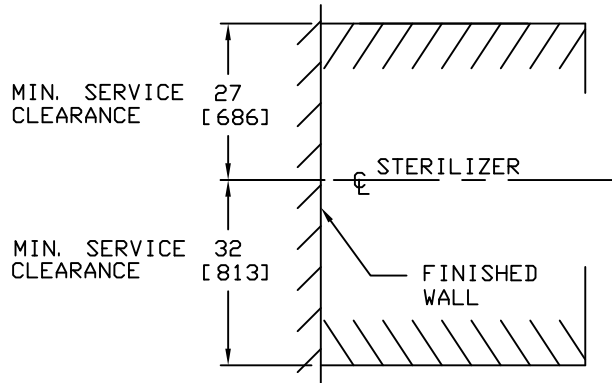
S | C | E

SURGERYCENTEREQUIPMENT.COM

STERIS V120 STEAM STERILIZER MFR CUTSHEET

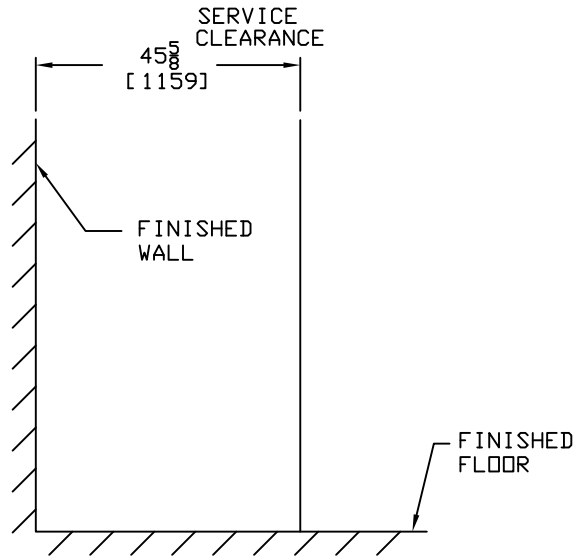
CHAMBER SIZE IN. (mm)
20 X 20 X 38 (508 X 508 X 965)
MAX. OUTSIDE DIM. OF STERILIZER
45 5/8 X 30 X 74 1/2 (1159 X 762 X 1891)

PLAN VIEW



NOTES:


1. ALL DIMENSIONS IN INCHES AND (MM).
2. THESE SERVICE CLEARANCES MUST BE MAINTAINED TO ALLOW ACCESS TO STERILIZER FOR SERVICEABILITY.
3. IF LOADING CAR AND CARRIAGE ARE TO BE USED, FRONT CLEARANCE SHOULD EQUAL TWICE THE LENGTH OF THE STERILIZER.



SIDE VIEW

SERVICE CLEARANCE

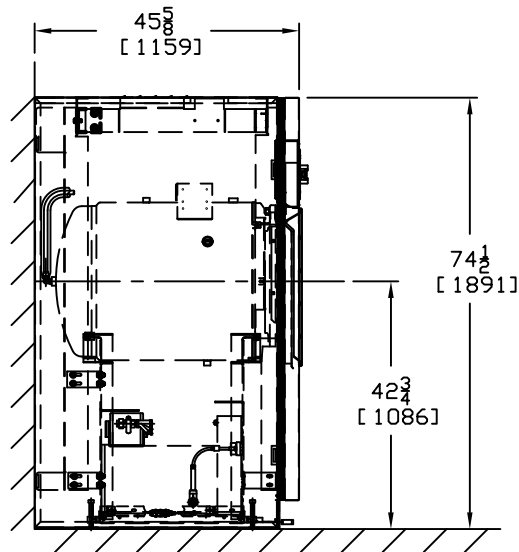
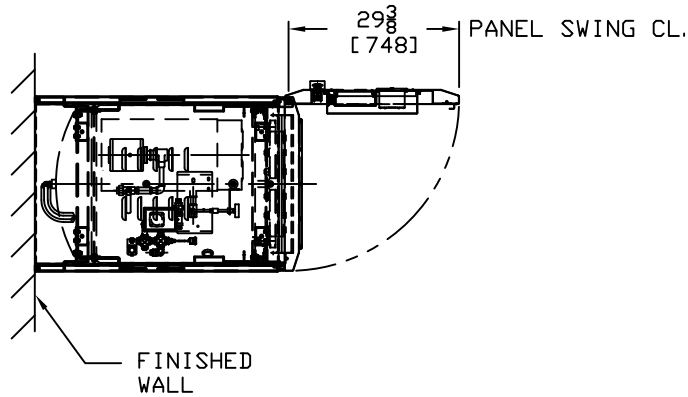
SHT. 1 OF 6

ALL DIMENSIONS ARE IN INCHES (MILLIMETERS) ALSO REFER TO GENERAL NOTES APPLICABLE TO EQUIPMENT DRAWINGS DWG. NO. 62941-091	20 x 20 x 38 AMSCO 400 SERIES PREVACUUM STERILIZER SINGLE SLIDING DOOR CABINET ELECTRIC STEAM HEAT	EQUIPMENT DRAWING NO. 129394-053
STERIS 	STERIS Corporation Mentor, OH	ITEM _____ LOCATION(S) _____

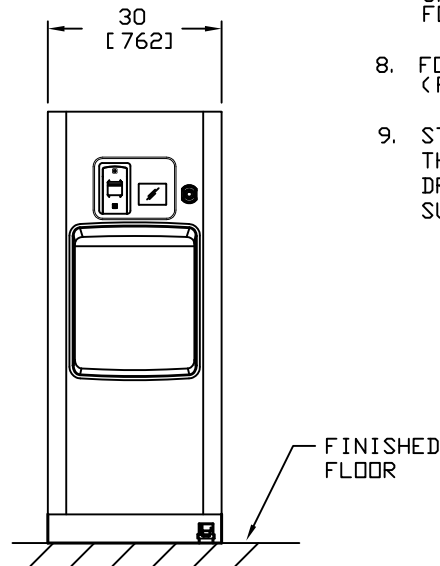
GENERAL NOTES:

1. ALL DIMENSIONS IN INCHES AND (MM).
2. CURB WEIGHT:
20 x 20 x 38 SD VESSEL = 1240 LBS. (562 KG.)
3. MAXIMUM OPERATING WEIGHT BASED ON CHAMBER FULLY LOADED WITH WATER FLASKS:
20 x 20 x 38 SD VESSEL = 1371 LBS. (622 KG.)
4. FACILITY MUST PROVIDE REGULATED STEAM PRESSURE IN THE DYNAMIC RANGE SPECIFIED. FAILURE TO DO SO WILL RESULT IN IMPROPER EQUIPMENT OPERATION.
5. HEAT LOSS AT 70°F (21°C):
20 x 20 x 38 - TO ROOM: 8750 BTU/HR (9,232 KILOJoule)
6. LEVELING FEET ARE PROVIDED FOR PROPER INSTALLATION.
7. THE TIE-DOWN OF THIS STERILIZER HAS BEEN PRE-APPROVED IN CALIFORNIA (REF. OPA-0531); SEE STERIS DWG. NO. 83280-194 FOR SEISMIC LOADING AND TIE-DOWN SPECIFICATIONS.
8. FOR SEISMIC INSTALLATIONS: A SEISMIC ADD ON KIT (REF. 146660-184) MUST BE INSTALLED ON THE STERILIZER.
9. STERIS ASSUMES NO RESPONSIBILITY FOR CHANGES MADE NECESSARY THROUGH FAILURE TO OBSERVE THE SPECIFICATIONS ON EQUIPMENT DRAWING AND NOTE PAGES. SPECIFICATIONS AND DESCRIPTIONS ARE SUBJECT TO CHANGE WITHOUT NOTICE.

PLAN VIEW



SIDE VIEW



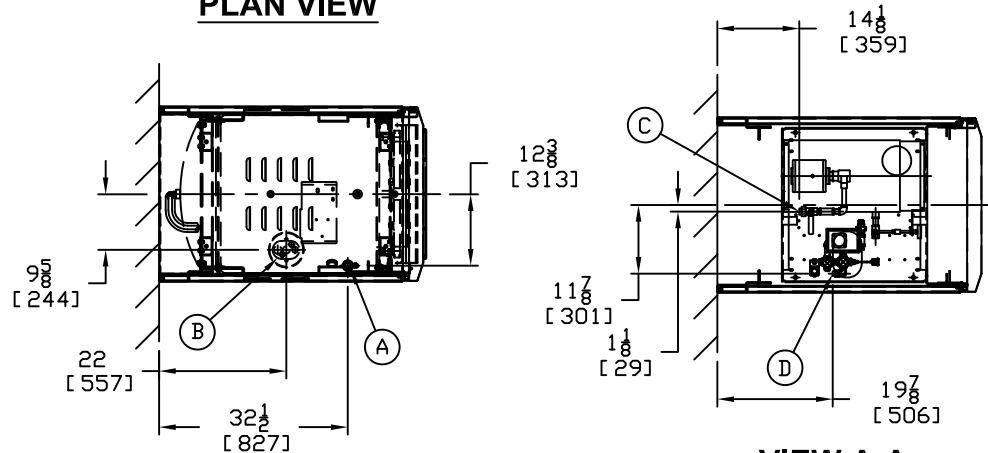
FRONT VIEW

STERILIZER INSTALLATION

SHT. 2 OF 6

ALL DIMENSIONS ARE IN INCHES (MILLIMETERS) ALSO REFER TO GENERAL NOTES APPLICABLE TO EQUIPMENT DRAWINGS DWG. NO. 62941-091 STERIS STERIS Corporation Mentor, OH	20 x 20 x 38 AMSCO 400 SERIES PREVACUUM STERILIZER SINGLE SLIDING DOOR CABINET ELECTRIC STEAM HEAT	EQUIPMENT DRAWING NO. 129394-053
		ITEM _____ LOCATION(S) _____ _____

PLAN VIEW



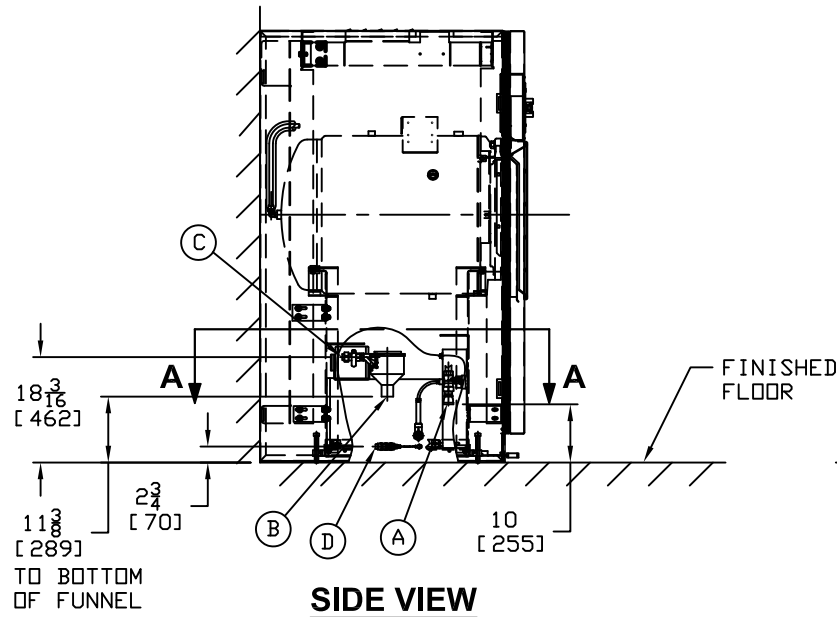
VIEW A-A

PLUMBING CONNECTIONS

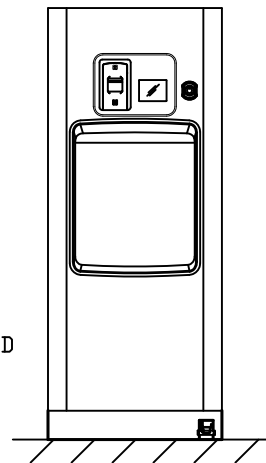
- Ⓐ STERILIZER COLD WATER
- Ⓑ STERILIZER DRAIN
- Ⓒ STERILIZER HOT WATER
- Ⓓ ELECTRIC STEAM GENERATOR FLUSH DRAIN PORT

NOTE: SEE SHEET 4 FOR PLUMBING INSTALLATION SPECS. AND PLUMBING REQUIREMENTS.

SIDE VIEW



FRONT VIEW



SHT. 3 OF 6

ALL DIMENSIONS ARE IN INCHES (MILLIMETERS) ALSO REFER TO GENERAL NOTES APPLICABLE TO EQUIPMENT DRAWINGS DWG. NO. 62941-091 STERIS STERIS Corporation Mentor, OH	20 x 20 x 38 AMSCO 400 SERIES PREVACUUM STERILIZER SINGLE SLIDING DOOR CABINET ELECTRIC STEAM HEAT	EQUIPMENT DRAWING NO. 129394-053
		ITEM _____ LOCATION(S) _____ _____

INSTALLATION SPECIFICATIONS:

THE INSTALLATION OF THE CHIMERON STERILIZER MUST MEET ALL APPLICABLE REGULATIONS.


INSTALLATION SPECIFICATION IS LISTED AS ENGINEERING AND INSTALLATION GUIDES. REFERENCED COMPONENTS AND SERVICE CONNECTIONS ARE NOT FURNISHED AS PART OF EQUIPMENT UNLESS UNDER WRITTEN AGREEMENT WITH STERIS.

1. PIPE SIZES LISTED UNDER **PLUMBING REQUIREMENTS** INDICATE THE EQUIPMENT TERMINATION SIZES ONLY. SIZE PIPING TO EQUIPMENT DEPENDING ON LENGTH OF PIPE RUN FROM PRESSURE REGULATING STATION FOR STEAM LINE, AND MAIN WATER HEADERS. TO SUPPLY THE SPECIFIED SERVICE PRESSURE AND FLOW RATE AT EQUIPMENT TERMINALS, INCLUDE EFFECT OF COINCIDENT DRAW OF MULTIPLE UNIT INSTALLATIONS.
2. PROVIDE PIPING, SHUT-OFF VALVE, PIPE PLUGGED TEE, AND UNION IN STEAM AND WATER SUPPLY CONNECTIONS BETWEEN EQUIPMENT AND STUB OUTS. PLUGGED TEE CAN LATER BE USED FOR TEST PRESSURE GAUGE CONNECTION. ARRANGE CONNECTION PIPING TO ALLOW ACCESS TO MACHINE COMPONENTS AND ELECTRICAL CONTROL PANEL.
3. RECOMMEND PROVISION OF BLOW DOWN VALVE AT EACH STEAM AND WATER STRAINER TO ENABLE STRAINER CLEAN OUT.
4. FOR RECOMMENDED FEED WATER QUALITY FOR STERILIZERS AND CARBON STEEL STEAM GENERATORS, SEE STERIS DWG. NO. 62941-091
5. BLOW DOWN BUILDING STEAM AND WATER SUPPLY LINES BEFORE FINAL CONNECTION TO EQUIPMENT.
6. THE STERILIZER IS NOT SUPPLIED WITH A VACUUM BREAKER OR BACKFLOW PREVENTER AND WHERE REQUIRED BY LOCAL CODES, INSTALLATION OF SUCH A DEVICE IN WATER LINE IS BY OTHERS.
7. FOR GENERAL INSTALLATION INFORMATION SEE STERIS DRAWING NO. 62941-091. (THIS DWG. SHOULD ALWAYS ACCOMPANY THE EQUIPMENT DWGS.) IF DWG. IS NOT ATTACHED, CONTACT STERIS SERVICE ENGINEERING AT 1-800-333-8848 TO OBTAIN A COPY.
8. **PLACEMENT OF PIPING SHUTOFFS:** WHEN INSTALLING, SHUTOFFS MUST BE LOCATED IN A SUITABLE LOCATION WITHIN LINE OF SIGHT AND CLEAR OF ANY OBSTRUCTIONS THAT WOULD PUT THE SERVICE PERSON IN **HARMS WAY** IN ORDER TO SHUT IT OFF.

PLUMBING REQUIREMENTS

- Ⓐ STERILIZER COLD WATER: (SEE NOTE #4)
 SUPPLY TEMPERATURE REQUIREMENTS ARE 50-70°F (10-21°C). VACUUM EFFICIENCY IS REDUCED AT WATER TEMPERATURES ABOVE 70°F (21°C).
 1" NPT
 30-50 PSIG DYNAMIC (2.1 TO 3.5 bar)
 CONSUMPTION IN CYCLE:
 PEAK-15 gpm (57 lpm)
 AVERAGE-135 gal/cycle (662 l/cycle)
 CONSUMPTION OUT OF CYCLE:
 AVERAGE-12 gal/hr (.76 lpm)
SFPP CYCLES REQUIRE A MINIMUM OF 40 psig COLD WATER PRESSURE.
- Ⓑ STERILIZER DRAIN:
 1 1/2" ODT
 (FLOOR DRAIN CAPACITY MUST HANDLE PEAK WATER CONSUMPTION).
- Ⓒ STERILIZER HOT WATER:
 SUPPLY TEMPERATURE REQUIREMENTS ARE =< 140°F. WATER RESISTIVITY NOT TO EXCEED 26000 OHMS/CM. TOTAL HARDNESS TO BE 0-3 PPM (CaCO₃)
 1/2" NPT:
 20-50 DYNAMIC PSIG (137.9-344.7 KPA)
 CONSUMPTION: PEAK 1 GPM, PER CYCLE 5 GAL, IDLE 1 GPH.
- Ⓓ DRAIN FROM ELECTRIC STEAM GENERATOR: 1/2" ODT.

CHECK ALL NATIONAL CODES AND STANDARDS SHT. 4 OF 6

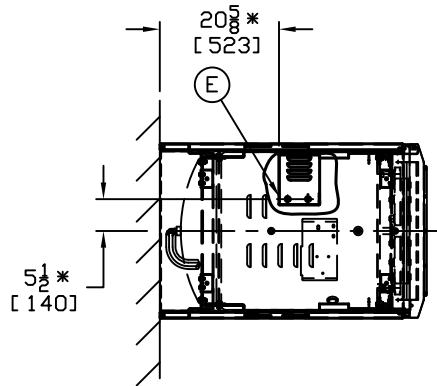
ALL DIMENSIONS ARE IN INCHES (MILLIMETERS) ALSO REFER TO GENERAL NOTES APPLICABLE TO EQUIPMENT DRAWINGS DWG. NO. 62941-091	20 x 20 x 38 AMSCO 400 SERIES PREVACUUM STERILIZER SINGLE SLIDING DOOR CABINET ELECTRIC STEAM HEAT	EQUIPMENT DRAWING NO. 129394-053 ITEM _____ LOCATION(S) _____
	STERIS Corporation Mentor, OH	

ELECTRICAL CONNECTIONS

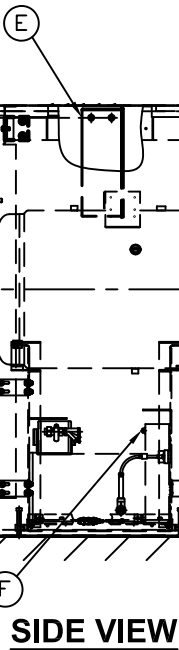
- Ⓔ STERILIZER POWER
- Ⓕ ELECTRIC STEAM GENERATOR POWER

NOTE: SEE SHEET 6 FOR ELECTRICAL INSTALLATION SPECS. AND ELECTRICAL REQUIREMENTS.

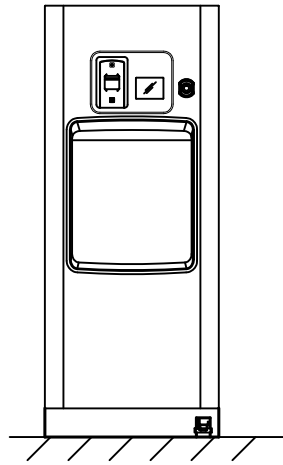
PLAN VIEW



* = TO CONTROL BOX HOLE Ⓔ



FINISHED FLOOR



FRONT VIEW

SHT. 5 OF 6

ALL DIMENSIONS ARE IN INCHES (MILLIMETERS) ALSO REFER TO GENERAL NOTES APPLICABLE TO EQUIPMENT DRAWINGS DWG. NO. 62941-091 STERIS STERIS Corporation Mentor, OH	20 x 20 x 38 AMSCO 400 SERIES PREVACUUM STERILIZER SINGLE SLIDING DOOR CABINET ELECTRIC STEAM HEAT	EQUIPMENT DRAWING NO. 129394-053
		ITEM _____ LOCATION(S) _____ _____

INSTALLATION SPECIFICATIONS:

THE INSTALLATION OF THE CHIMERON STERILIZER MUST MEET ALL APPLICABLE REGULATIONS.

INSTALLATION SPECIFICATION IS LISTED AS ENGINEERING AND INSTALLATION GUIDES. REFERENCED COMPONENTS AND SERVICE CONNECTIONS ARE NOT FURNISHED AS PART OF EQUIPMENT UNLESS UNDER WRITTEN AGREEMENT WITH STERIS.

1. PROVIDE GROUPED OR GANGED CIRCUIT PROTECTION AND DISCONNECT FOR STERILIZER POWER AS REQUIRED BY CODES AND STANDARDS. INDIVIDUAL POWER SHUTOFFS REQUIRED NEAR EACH MACHINE FOR SERVICING.
2. PROVIDE GROUNDED METAL CONDUIT AND WIRING BETWEEN EQUIPMENT TERMINALS AND STUB OUTS OR DISCONNECTS. CHECK LOCAL CODES FOR MINIMUM AWG. WIRE SIZE, #16 AWG. MINIMUM RECOMMENDED.
3. **PLACEMENT OF ELECT. DISCONNECTS:** WHEN INSTALLING; DISCONNECTS MUST BE LOCATED IN A SUITABLE LOCATION WITHIN LINE OF SIGHT AND CLEAR OF ANY OBSTRUCTIONS THAT WOULD PUT THE SERVICE PERSON IN **HARMS WAY** IN ORDER TO SHUT IT OFF. ALSO, THE LOCATION OF THE DISCONNECTS SHOULD ALLOW THE SERVICE PERSON TO SHUTOFF POWER FROM THE SIDE TO PREVENT POSSIBLE ARC FLASH.
4. **CAUTION:** DO NOT USE GROUND FAULT CURRENT INTERRUPTERS (GFCI).
5. **ATTENTION:** THE ELECTRICAL CLEARANCES REQUIRED BY THE **NEC** ARE THE RESPONSIBILITY OF THE INSTALLER. ALSO, ADHERENCE TO LOCAL CODES AND PROCUREMENT OF PERMITS ARE THE RESPONSIBILITY OF THE CUSTOMER UNLESS AGREED TO IN WRITING WITH **STERIS**.
6. FOR GENERAL INSTALLATION INFORMATION SEE STERIS DRAWING NO. 62941-091. (THIS DWG. SHOULD ALWAYS ACCOMPANY THE EQUIPMENT DWGS.) IF DWG. IS NOT ATTACHED, CONTACT STERIS SERVICE ENGINEERING AT 1-800-333-8848 TO OBTAIN A COPY.

ELECTRICAL REQUIREMENTS

Ⓔ STERILIZER POWER:

CONTROL BOX FOR: 120V, 50/60 HZ, 9.5 AMP SINGLE PHASE SERVICE. MINIMUM RECOMMENDED LINE AND GROUND CONDUCTOR SIZE AWG #12 COPPER (2.05MM).

120VAC REQUIRE A THREE (3) WIRE CONNECTION (L1, NEUT, GND.).

MINIMUM 15A CIRCUIT BREAKER IS RECOMMENDED. INSTALLED NEAR THE EQUIPMENT WITHIN EASY REACH OF THE OPERATOR AND MARKED AS THE DISCONNECTING DEVICE FOR THE EQUIPMENT.

Ⓕ ELECTRIC STEAM GENERATOR POWER:


30 KW HEATERS

208VAC, 50/60HZ, 83A, (3) PHASE. MINIMUM 90A CIRCUIT BREAKER RECOMMENDED. MINIMUM RECOMMENDED LINE CONDUCTOR SIZE AWG #1 COPPER (42.4 MM²) 75°C (167°F). REQUIRES A FOUR (4) WIRE "DELTA" CONNECTION (L1, L2, L3, GND.).

240VAC, 50/60HZ, 72A, (3) PHASE. MINIMUM 80A CIRCUIT BREAKER RECOMMENDED. MINIMUM RECOMMENDED LINE CONDUCTOR SIZE AWG #4 COPPER (21.5 MM²) 75°C (167°F). REQUIRES A FOUR (4) WIRE "DELTA" CONNECTION (L1, L2, L3, GND.).

480VAC, 50/60HZ, 36A, (3) PHASE. MINIMUM 45A CIRCUIT BREAKER RECOMMENDED. MINIMUM RECOMMENDED LINE CONDUCTOR SIZE AWG #8 COPPER (8.6 MM²) 75°C (167°F). REQUIRES A FOUR (4) WIRE "DELTA" CONNECTION (L1, L2, L3, GND.).

CHECK ALL NATIONAL CODES AND STANDARDS SHT. 6 OF 6

<p>ALL DIMENSIONS ARE IN INCHES (MILLIMETERS) ALSO REFER TO GENERAL NOTES APPLICABLE TO EQUIPMENT DRAWINGS DWG. NO. 62941-091</p>	<p>20 x 20 x 38 AMSCO 400 SERIES PREVACUUM STERILIZER SINGLE SLIDING DOOR CABINET ELECTRIC STEAM HEAT</p>	<p>EQUIPMENT DRAWING NO. 129394-053 ITEM _____ LOCATION(S) _____</p>
<p>STERIS </p>	<p>STERIS Corporation Mentor, OH</p>	