







Standard Paving Equipment Operation & Maintenance Instructions.

The following publications compose the Operation & Maintenance Manuals for this Equipment.

MANUALS - TRACTORS

<u>PART NO.</u>	<u>FORM</u>	<u>DESCRIPTION</u>
499992523101	21286	CR300 O&M
499992523102	21284	CR400 Slat O&M
499992523103	21521	CR400 Remix O&M
499992523104	20850	CR500 Slat O&M
499992523105	21522	CR500 Remix O&M
499992523106	23028	300 Series - Tier II
499992523107	23029	400 Series - Tier II
499992523108	23030	500 Series - Tier II

MANUALS - SCREEDS

<u>PART NO.</u>	<u>FORM</u>	<u>DESCRIPTION</u>
499992523201	19373	Fastach 8 Screed O&M
499992523202	18537	Fastach 10 Screed O&M
499992523203	22415	Fastach II O&M
499992523204	22416	ST16-18 O&M
499992523205	18565	Stretch 20 Screed O&M

MANUALS - CONTROLS

<u>PART NO.</u>	<u>FORM</u>	<u>DESCRIPTION</u>
49999176	20576	Gen III Sonics O&M
499992526001	18121	Sundstrand Auto Grade & Slope O&M
499992526003	22806	AGL EZ-PAV O&M
49999188	21048	Topcon System 4 O&M
499992526002	22506	Topcon SAS O&M
499992526004	23021	Topcon System 5 & Smoothtrac O&M

MANUALS - MAT SMOOTHNESS MACHINES

<u>PART NO.</u>	<u>FORM</u>	<u>DESCRIPTION</u>
49999177	20575	Pickup Machines O&M (Models 1, 2, & 3)
499992523301	22630	MS-4 O&M

PAVER SAFETY MANUAL

Note: A safety manual is supplied with each machine shipment within Manuals Package 04418-795-01.
All Manuals supplied following original machine shipment must include a safety manual.

499992526005	AP-120-02	AEM Paver Safety Manual
--------------	-----------	-------------------------

SCHEMATICS - TRACTOR HYDRAULIC

<u>PART NO.</u>	<u>DESCRIPTION</u>
4418-944	351 (12/97)
4418-945	361 (12/97)
4418-956	361R (10/98)
4418-946	451 & 551 (10/98)
4418-995	451 & 551 (10/00)
4418-996	461 & 561 (10/00)
4418-997	461R & 561R (10/00)
4495-001	451RX & 551RX (12/00)
4495-002	461RX & 561RX (12/00)
4495-003	461RXR & 561RXR (12/00)
4495-012	300 Series Slat Pavers - Tier II
4495-008	400/500 Series Slat Pavers - Tier II
4495-009	400/500 Series Remix Pavers - Tier II

SCHEMATICS - TRACTOR ELECTRICAL

<u>PART NO.</u>	<u>DESCRIPTION</u>
4418-865	351 (12/96)
4418-937	351 (12/97)
4418-864	361 (12/96)
4418-938	361 (12/97)
4418-973	351 (10/99)
4418-974	361 & 361R (10/99)
4418-959	451 & 551 (10/99)
4418-960	461, 561, 461R & 561R (10/99)
4418-963	451RX & 551RX (11/99)
4418-964	461RX, 561RX, 461RXR, 561RXR (11/99)
4494-105-19	352 Slat Pavers - Tier II
4494-105-20	362 Slat Pavers - Tier II
4494-105-21	452/552 Slat Pavers - Tier II
4494-105-22	462/562 Slat Pavers - Tier II
4494-105-23	452/552 Remix Pavers - Tier II
4494-105-24	462/562 Remix Pavers - Tier II
4454-105-29	452/552 Remix Pavers - Tier II (05/04)
4454-105-30	452/552 Remix Pavers - Tier II (05/04)

SCHEMATICS - SCREEDS

<u>PART NO.</u>	<u>DESCRIPTION</u>
4495-004	Hydraulic Schematic - Stretch Screeds
4495-005	Hydraulic Schematic - Fixed Screeds
4495-007	Electric Schematic & Generator Drive Hydraulic Schematic - Stretch Elec Screeds
	Note: Requires Hyd Schematic 4495-004 also.
4495-011	Electric & Hydraulic Schematic - Fastach II Screed

400 & 500 COMPONENT SERIAL NUMBER RECORD



TRACTOR MODULE 0759930 SCREED MODULE 0789930
 SERIAL 060100 MODEL 552 DATE 5-3-4

	INSP.	LEFT HAND	INSP.	RIGHT HAND
ENGINE MODEL	<u>794 QSB 5.9-240</u>			
ENGINE PART NUMBER	<u>794 45930-001-58</u>			
ENGINE SERIAL NO.	<u>794 46383045</u>			
TRAVEL PUMPS	<u>794 A-04-17-00410</u>		<u>794 A-04-17-00411</u>	
CONV. PUMPS	<u>794 K-04-17-06403</u>		<u>794 K-04-15-42425</u>	
ELECT. HEAT PUMP			<u>794 A-04-20-19076</u>	
FAN/VIBR. PUMP ON ENGINE	<u>X</u>	<u>X</u>	<u>X</u>	
AUX/SPREADER PUMP	<u>794 02-4849239</u>			
CONV. MOTOR	<u>794 K-04-17-10618</u>		<u>794 K-04-17-10639</u>	
CONVEYOR GEARBOXES	<u>794 013165</u>		<u>794 013168</u>	
TRACTION DRIVE	<u>794 ¹⁰⁷⁹⁸⁷⁴⁻366315-030</u>		<u>794 ¹⁰⁷⁹⁸⁷³⁻366315-030</u>	
REAR TIRE LOT CODE	<u>794 4503</u>		<u>794 4403</u>	
TRACK SERIAL NUMBER	<u>X</u>	<u>X</u>	<u>X</u>	
FWA WHEEL MOTOR	<u>794 03020 738</u>		<u>794 02020 9485T</u>	
SLOPE SENSOR	<u>794 K-04-21-36890</u>		<u>X</u>	<u>X</u>
SLOPE CONTROL	<u>794 7201</u>		<u>X</u>	<u>X</u>
TOPCON TRACKER	<u>X</u>	<u>X</u>	<u>X</u>	<u>X</u>
TOPCON CONTROL BOX	<u>X</u>	<u>X</u>	<u>X</u>	<u>X</u>
TOPCON SLOPE SENSOR	<u>X</u>	<u>X</u>	<u>X</u>	

Copy missing one digit
 794 K-04-17-10639?

Heat Motor
 Heat Cam
 Kell

INSPECTOR Kell DATE 5-3-4

MULE

[Return to Table
of Contents Page](#)

Table of Contents

Basket Plumbing & Hydraulic Components - 05210QUY

Ref No.	Description	Page No.
1	Basket Plumbing Illustration	2
2	Basket Plumbing Parts List	3
3	Filter Assemblies - L.H. and R.H.	4
4	Valve Assembly - Screed Lift	5
5	Valve Assembly - L.H. Front Bulkhead	6
6	Valve Assembly - R.H. Front Bulkhead	7

**Return to Table
of Contents Page**



Basket Plumbing

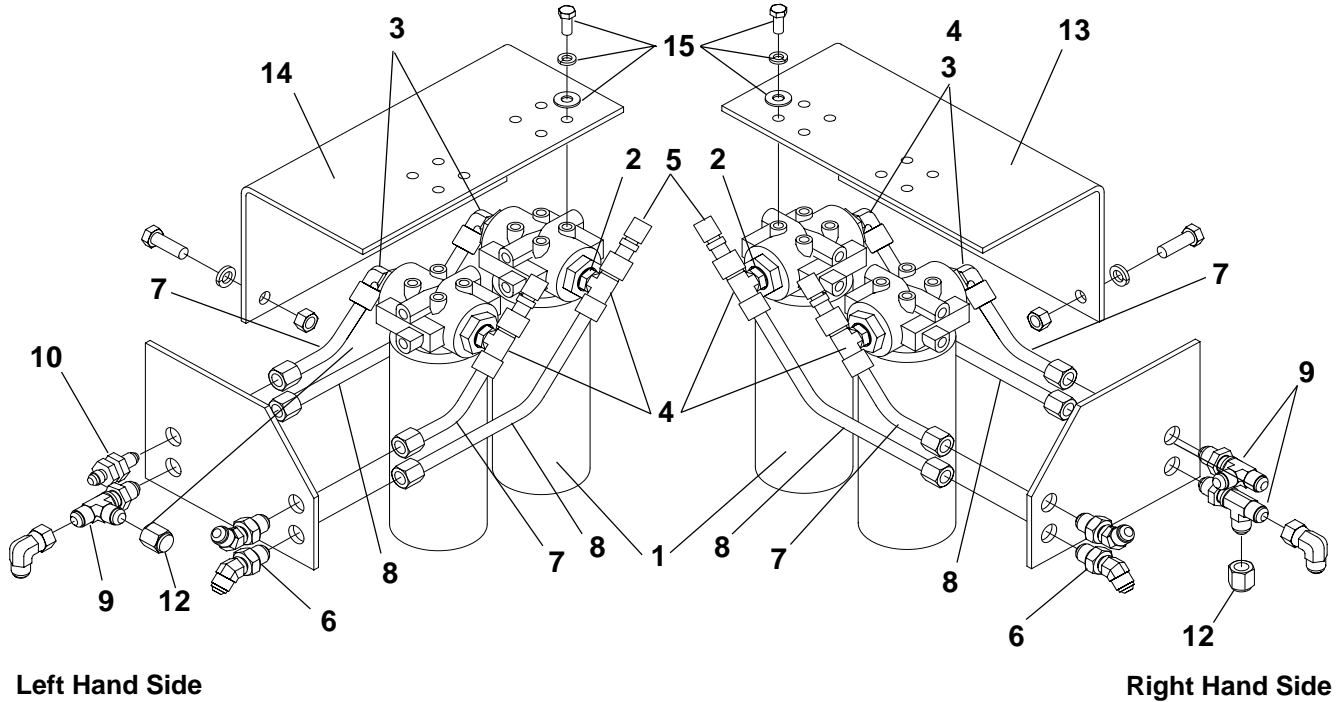
Parts List No. 5210QUY

Ref. No.	Part Number	Description	Quantity
1	9704-656-69	Valve, Brake/Range Shift	1
2	7430-275	Elbow, 90° 9/16" x 3/8" - with #51 O-Ring	3
3	7430-277	Elbow, 90° 9/16" x 1/2" - with #51 O-Ring	1
4	45259-012-03	Fitting, 5/64" Orifice	2
5	45720-775-38	Tee, 1/4" Pipe Steel Run	3
6	7430-004	Connector, 1/4" P x #6 JIC	2
7	7430-019	Elbow, 1/4" Pipe x #6 JIC	1
8	7430-228	Cap, 3/8"	2
9	9704-659-68	Tube Assembly, Auxiliary Filter	1
10	7652-022-35	Hose Assembly, 1/2" ID x 22"	1
11	7430-411	Elbow, 1/2" Union	2
12	7652-018-35	Hose Assembly, 1/2" ID x 18"	2
13	45080-510-51	Filter, 10 Micron - Complete	1
	45080-510-51-01	Element, Filter	As Req
14	45720-775-12	Reducer, 1/2" x 3/4"	2
15	7430-303	Tee, #8 Branch - with #52 O-Ring	2
16	45080-527-16	Test Fitting, 1/2"	3
17	7430-229	Cap, 1/2"	2
18	45252-004-59	Valve, Directional Control	1
19	7430-401	Connector, 3/4" x 1/2" - with #52 O-Ring	1
20	7430-345	Tee, 1/2" Swivel Nut - Male Branch	3
21	7430-367	Union, 1/2" Bulkhead	4
22	7430-356	Tee, 1/2" Swivel Nut - Male Run	2
23	7430-257	Connector, 1-1/16" x 1/2" - with #53 O-Ring	1
24	9704-656-73	Tube Assembly, Vibrator	1
25	9704-661-77	Tube Assembly, Screed Raise	1
26	9704-656-32	Tube Assembly, Screed Lower	1
27	7430-405	Elbow, 90° 1/2" Swivel	4
28	7430-393	Tee, 1/2" Bulkhead	2
29	9704-653-23	Tube Assembly, Screed Lift	2
30	9704-659-72	Tube Assembly, Front Basket Pressure	1
31	9704-656-33	Tube Assembly, Upper Hopper Wings	1
32	9704-656-34	Tube Assembly, Lower Hopper Wings	1
33	9704-659-73	Tube Assembly, Front Basket Return	1
34	45080-529-23	Clamp Half, 1/2"	20
35	45080-529-26	Plate, Clamp Cover	10
36	7383-024	Capscrew, 5/16" NC x 1-1/4"	10
37	7014-002	Lockwasher, 5/16"	10
38	9704-659-67	Bracket, Auxiliary Filter	1
39	7394-004	Capscrew, 1/4" NF x 3/4" - Sockethead	4
40	7014-016	Washer, 1/4"	4
41	7430-255	Connector, 3/4" x 1/2" JIC" - with #54 O-Ring	1
42	Reference	See Filter Assemblies - Left and Right Hand, This Section	-
43	Reference	See Screed Lift Valve Assembly, This Section	-
44	Reference	See Valve Assembly - Left Front Bulkhead, This Section	-
45	Reference	See Valve Assembly - Right Front Bulkhead, This Section	-
46	45720-775-12	Reducer, 3/4" x 1/2"	1
48	7430-430	Connector, 3/4" Bulkhead	4
49	7430-387	Elbow, 3/4" Swivel Nut	2
50	7430-427	Fitting, 3/4" JIC Swivel	2
51	45259-508-13	O-Ring, 9/16" (for Hydraulic Fittings)	As Req
52	45259-508-46	O-Ring, 1/2" (for Hydraulic Fittings)	As Req
53	45259-508-15	O-Ring, 1-1/16" (for Hydraulic Fittings)	As Req
54	45259-508-14	O-Ring, 3/4" (for Hydraulic Fittings)	As Req

**Return to Table
of Contents Page**



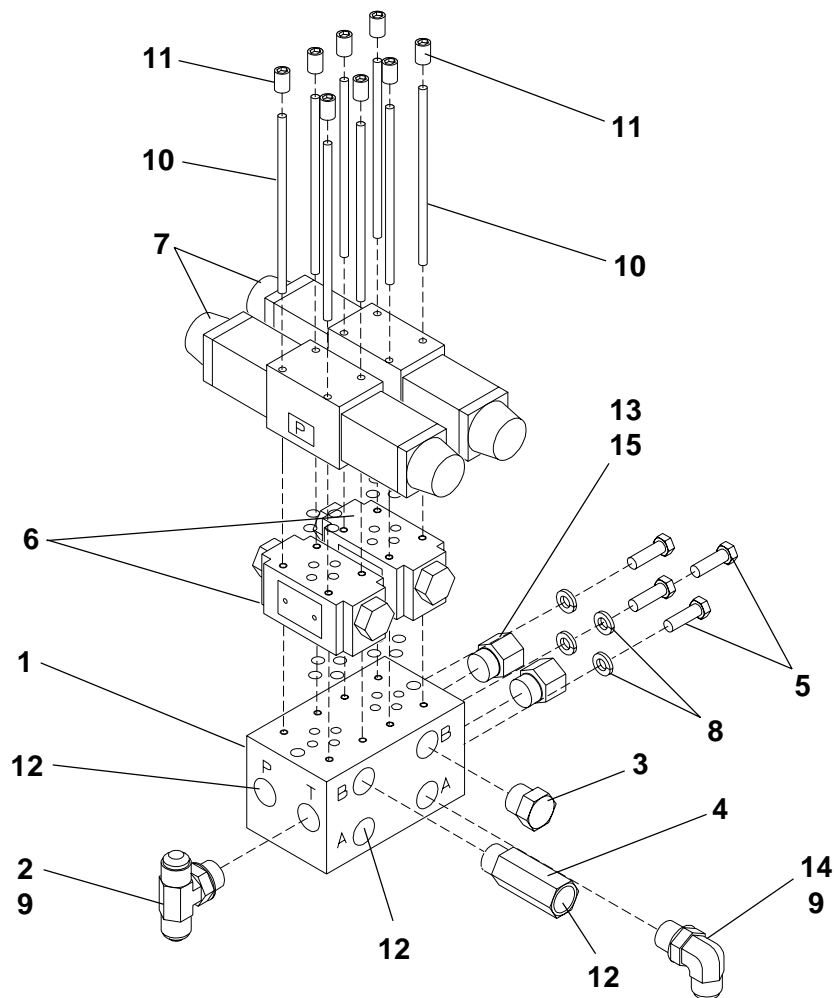
**Filter Assemblies
Right & Left Hand**



Ref. No.	Part Number	Description	Quantity
1	45175-001-41	Filter, Spin-On	4
	45175-001-41-01	Element (For above filter)	As Req
2	45720-775-28	Reducer, 1" x 1/2"	8
3	7430-278	Elbow, 90° 3/4" x 1/2" - with O-Ring	4
	45259-508-14	O-Ring, 3/4" (For above fitting)	As Req
4	7430-303	Tee, 3/4" x 1/2" Branch - with O-Ring	4
	45259-508-14	O-Ring, 3/4" (For above fitting)	As Req
5	45080-527-16	Test Fitting, 1/2"	2
6	7430-411	Elbow, 45° 1/2" Union	4
7	9704-659-09	Tube Assembly, Short	4
8	9704-659-10	Tube Assembly, Long	4
9	7430-437	Tee, 1/2" Bulkhead	4
10	7430-367	Union, 1/2" Bulkhead	1
12	7430-229	Cap, 1/2"	2
13	9704-315-26	Bracket, Filter - Right Hand	1
14	9704.315-27	Bracket, Filter - Left Hand	1
15	7383-037	Capscrew, 3/8" NC x 7/8"	16
	7014-018	Washer, 3/8"	16
	7014-003	Lockwasher, 3/8"	16

Return to Table of Contents Page

Valve Assembly - Screed Lift

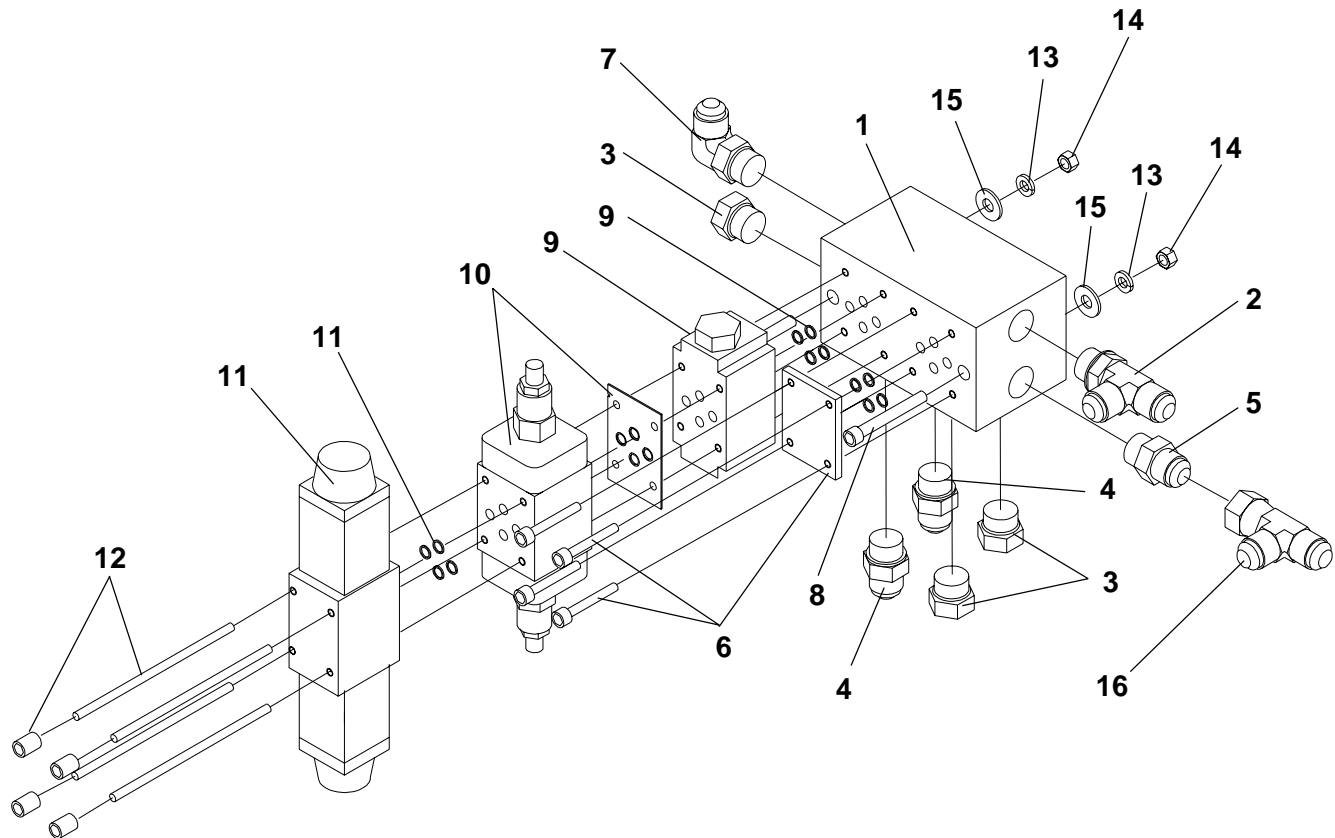


Ref. No.	Part Number	Description	Quantity
	9704-662-82	Valve Assembly - Complete	-
1	45252-501-03	Block, Valve	1
2	7430-303	Tee, 3/4" x 1/2" Branch - with #16 O-Ring	1
3	7430-382	Plug, 3/4" - with #16 O-Ring	1
4	45090-001-46	Valve, Throttle	1
5	7383-022	Capscrew, 5/16" NC x 1"	4
6	45252-014-16	Valve, Holding - with O-Rings	2
7	45252-005-53	Valve, Solenoid - with O-Rings	2
8	7014-002	Lockwasher, 5/16"	4
9	45191-509-10	Caplugs, 3/4" (Not Shown)	3
10	45890-501-23	Stud, #10-24 x 2-7/8"	8
11	45890-100-23	Studnut	8
12	45191-509-09	Caplugs	3
13	45720-775-29	Fitting, 3/4" x 1/4" - with #16 O-Ring	2
14	7430-278	Elbow, 90° 3/4" x 1/2" - with #16 O-Ring	1
15	45191-509-05	Caplugs	2
16	45259-508-14	O-Ring, 3/4" (For hydraulic fittings)	As Req

**Return to Table
of Contents Page**



**Valve Assembly
Left Hand Front Bulkhead**

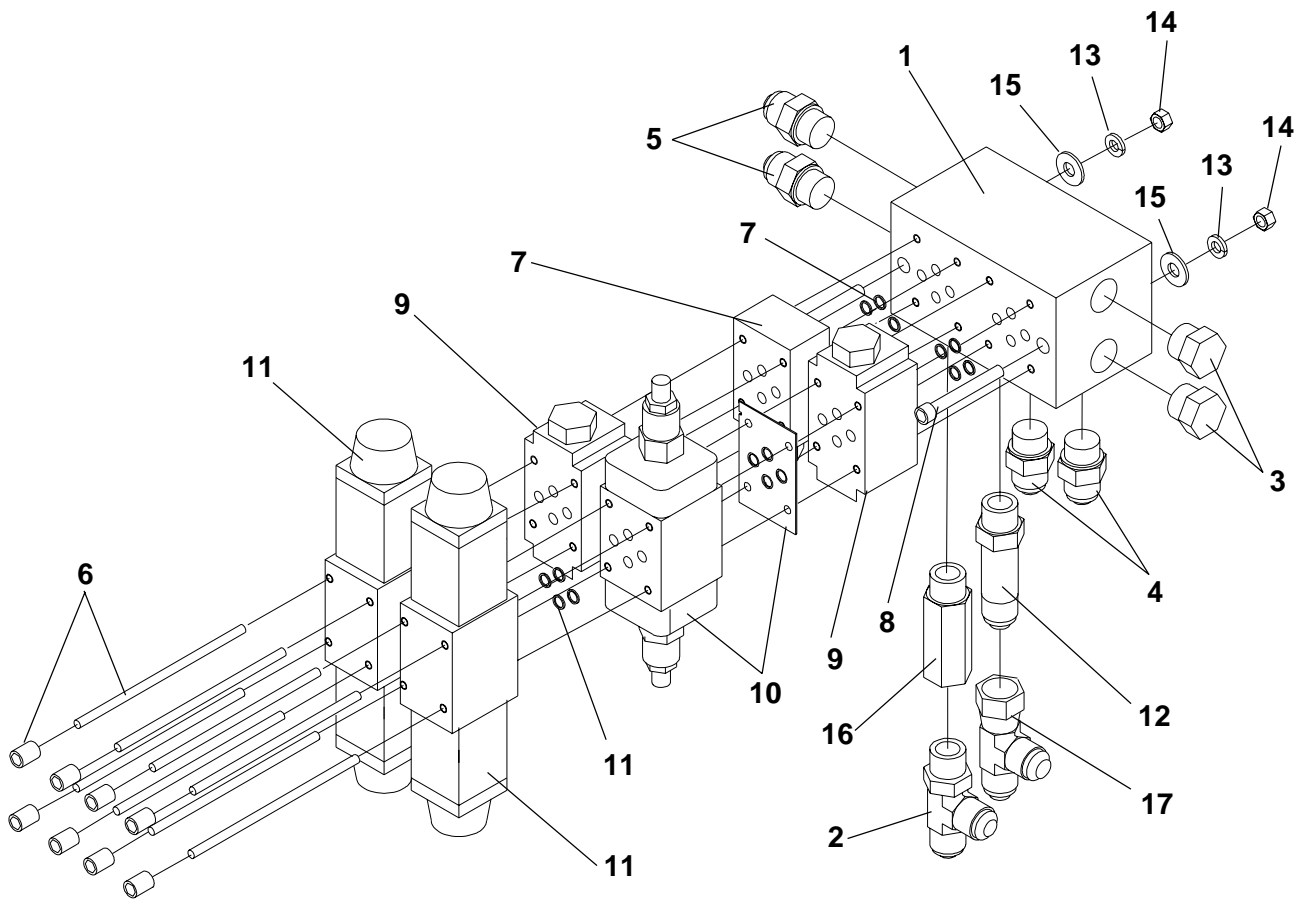


Ref. No.	Part Number	Description	Quantity
	9704-662-80	Valve Assembly - Complete	-
1	45252-501-03	Block, Valve	1
2	7430-292	Tee, 1/2" Run - with #17 O-Ring	1
3	7430-382	Plug, 3/4" - with #18 O-Ring	3
	45259-508-14	O-Ring, 3/4" (For above fitting)	As Req
4	7430-253	Connector, 3/4" x 3/8" - with #18 O-Ring	2
5	7430-255	Connector, 3/4" x 1/2" - with #18 O-Ring	1
6	45252-503-02	Cover Plate (Includes Hardware & O-Rings)	1
7	7430-278	Elbow, 90° 3/4" x 1/2" - with #18 O-Ring	1
8	7025-088	Capscrew, 5/16" x 3" Sockethead	2
9	45252-014-16	Valve, Holding - with O-Rings	1
10	45252-007-38	Valve, Flow Control	1
11	45252-005-53	Valve, Solenoid - with O-Rings	1
12	9704-663-01	Bolt Kit	1
13	7014-002	Lockwasher, 5/16"	2
14	7012-024	Hex Nut, 5/16"	2
15	7014-017	Washer, 5/16"	2
16	7430-345	Tee, 1/2" Swivel Nut	1
17	45259-508-46	O-Ring, 1/2" (For hydraulic fittings)	As Req
18	45259-508-14	O-Ring, 3/4" (For hydraulic fittings)	As Req

Return to Table of Contents Page



**Valve Assembly
Right Hand Front Bulkhead**

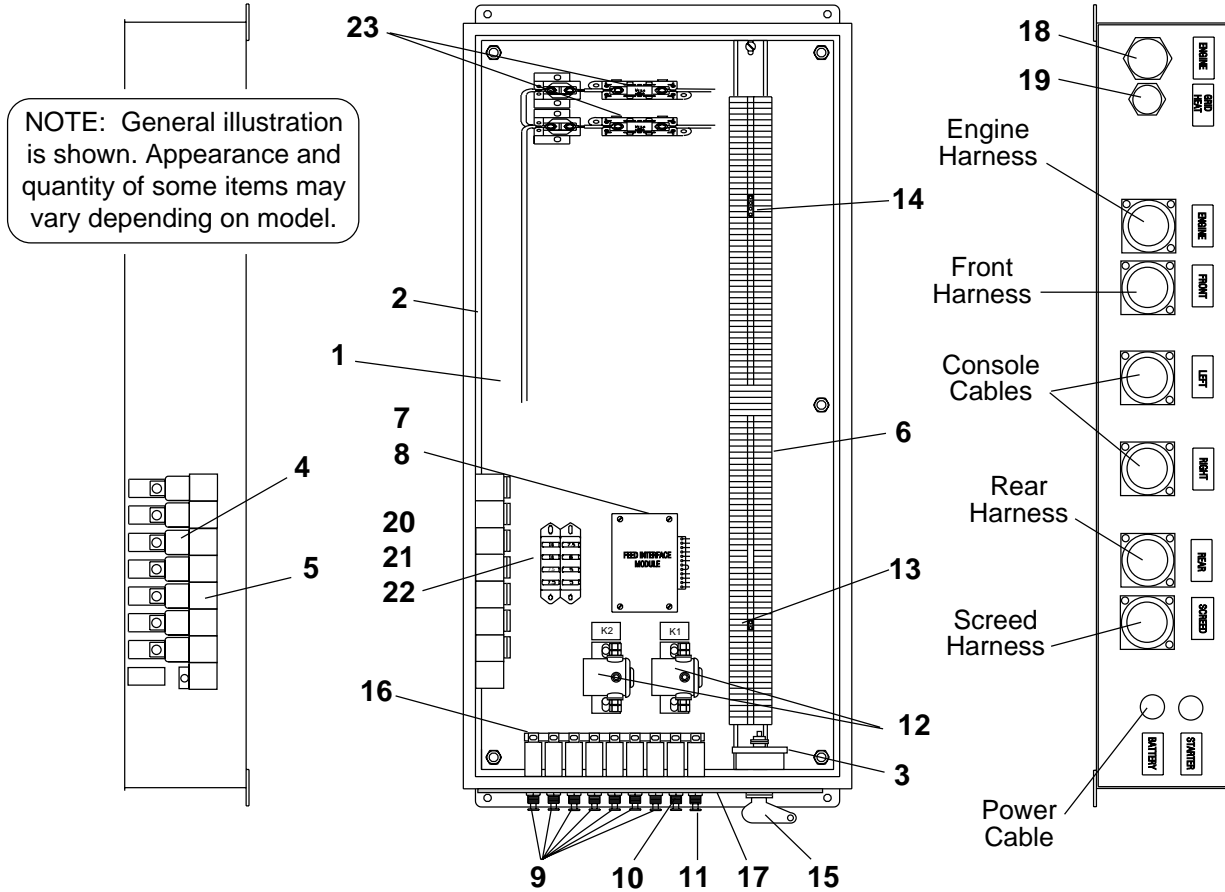


Ref. No.	Part Number	Description	Quantity
	9704-662-81	Valve Assembly - Complete	-
1	45252-501-03	Block, Valve	1
2	7430-292	Tee, 1/2" Run - with #18 O-Ring	1
3	7430-382	Plug, 3/4" - with #19 O-Ring	2
4	7430-253	Connector, 3/4" x 3/8" - with #19 O-Ring	2
5	7430-255	Connector, 3/4" x 1/2" - with #19 O-Ring	2
6	9704-663-01	Bolt Kit	2
7	45252-007-39	Valve, Needle - with O-Rings	1
8	7025-088	Capscrew, 5/16" x 3" Sockethead	2
9	45252-014-16	Valve, Holding - with O-Rings	2
10	45252-007-38	Valve, Flow Control	1
11	45252-005-53	Valve, Solenoid - with O-Rings	2
12	45720-775-82	Fitting, 1/2"	1
13	7014-002	Lockwasher, 5/16"	2
14	7012-024	Hex Nut, 5/16"	2
15	7430-017	Washer, 5/16"	2
16	45090-001-46	Valve, Throttle	1
17	7430-345	Tee, 1/2" Swivel Nut - Male Branch	1
18	45259-508-46	O-Ring, 1/2" (For hydraulic fittings)	As Req
19	45259-508-14	O-Ring, 3/4" (For hydraulic fittings)	As Req

Main Electrical Package**Basic Electrical Package - 05032JBG**Includes Kit Part Number: 09709-400-07

Ref No.	Part No.	Description	Quantity
1	9704-417-54	Main Junction Box - See Following Pages	1
2	9704-417-55	Control Console - See Following Pages	1
3	9704-376-58	Front Electrical Harness	1
4	9704-376-56	Rear Electrical Harness	1
5	9704-411-33	Screed Control Cable	1

Main Junction Box

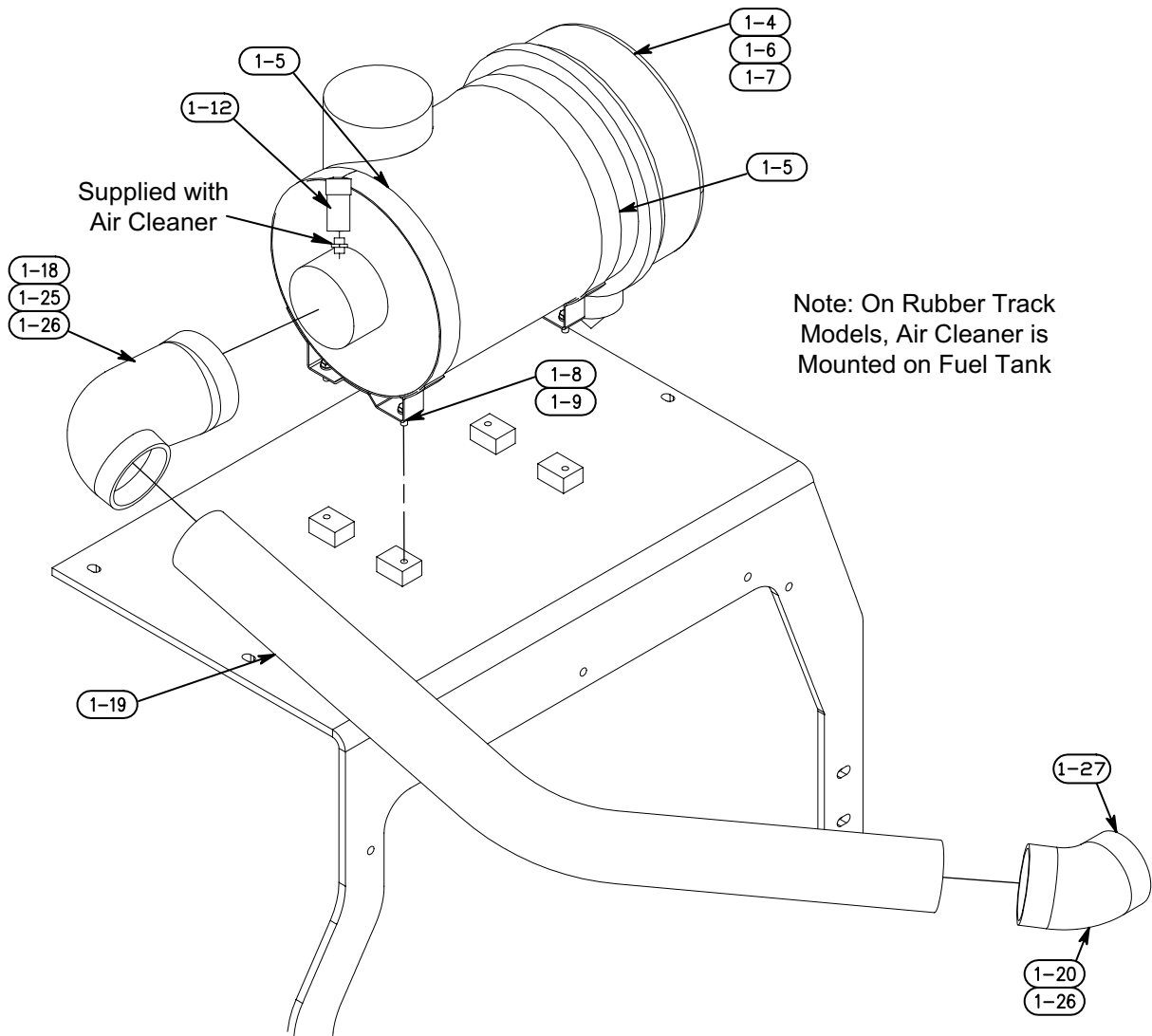


Ref. No.	Part Number	Description	Quantity
	9704-417-54	Main Junction Box - Complete	-
1	9704-417-53	Enclosure, Box	1
2	9704-417-51	Plate, Mounting	1
3	46200-011-62	Switch, Disconnect Lock	1
4	46325-002-43	Relay, Power	7
5	46015-001-49	Socket, Relay	8
6	46260-001-95	Terminal Block, 100-Position	1
7	46956-013-02	Plug, Module	1
8	46065-500-39	Module, Feed Interface	1
9	46165-004-83	Breaker, 15A	7
10	46165-004-84	Breaker, 30A	1
11	46165-005-01	Breaker, 50A	1
12	46325-002-21	Relay	2
13	46260-501-08	Jumper, 2 Terminal	1
14	46260-501-09	Jumper, 4 Terminal	1
15	46200-011-61	Switch, Key	1
16	46165-508-03	Bar, Buss	1
17	4418-888	Emblem, Main Box	1
18	9704-376-29	Harness, Engine	1
19	9704-376-27	Harness, Grid Heat	1
20	46190-007-63	Fuse, 5 Ampere	As Req
21	46190-007-64	Fuse, 7.5 Ampere	As Req
22	46190-007-65	Fuse, 10 Ampere	As Req
23	46190-007-66	Fuse, 125 Ampere	2

Control Console

Ref. No.	Part Number	Description	Quantity
	9704-417-55	Console - Complete	1
1	4494-105-11	Emblem, Fuel Select	1
2	4494-105-10	Emblem, Rubber Tire	1
3	9704-376-33	Harness, Console	1
4	9704-411-34	Cable, Console - Left	1
5	9704-411-35	Cable, Console - Right	1
6	Not Used	Item number not required	-
7	Not Used	Item number not required	-
8	9704-416-36	Potentiometer, Speed	1
9	Not Used	Item number not required	-
10	45890-100-29	Nut, 1/4" Self-Retaining	2
11	7437-135	Machine Screw, 1/4" NC x 3/4"	2
12	45890-100-06	Seal Nut, 3/8"	1
13	9704-505-96	Console	1
14	Not Used	Item number not required	-
15	45865-002-41	Gauge, Oil Pressure	1
16	45865-003-16	Gauge, Oil Temperature	1
17	45865-003-17	Gauge, Water Temperature	1
18	45890-800-31	Edging, 1/16" Aluminum	4.7ft
19	45915-012-08	Gauge, Fuel Level	1
20	46270-500-37	Lens - Amber	6
21	46260-501-03	Jumper, Terminal Block	7
22	46026-015-14	Connector, 1-1/4" 90°	2
23	46061-500-62	Socket	7
24	46015-001-24	Snaptrack, PVC	1
25	46065-500-34	Module, Steer Assist	1
26	46075-500-05	Knob, Control	1
27	46195-001-04	Locknut, 1-1/4"	2
28	46200-009-06	Switch, Toggle	7
29	46085-401-46	E-Stop	1
30	46200-009-11	Switch, Toggle	2
31	46200-009-18	Switch, Toggle	2
32	46200-009-21	Switch, Toggle	9
33	46200-009-40	Switch, Toggle	3
34	46200-009-41	Switch, Toggle	1
35	46200-009-44	Switch, Toggle	1
36	46065-500-40	Conroller, Handle	1
37	46225-001-24	Meter, Voltmeter - 12 VDC	1
38	46225-010-17	Meter, Tach / Hour	1
39	46260-001-94	Block, Terminal - 30-Position w/ Ground	2
40	46260-501-08	Jumper, 2 Position (not shown)	1
41	46270-002-44	Lamp, 14VDC	7
42	46270-005-09	Light Kit, Meter	5
43	46270-005-10	Light Kit, 12 VDC	1
44	46270-500-36	Lens, Red	1
45	46955-001-43	Diode, 600V - 6A	2
46	46010-001-29	Alarm - Signal	1
47	46325-002-43	Relay - Automotive	1
48	9704-012-32	Switch, Tilt (not shown)	2

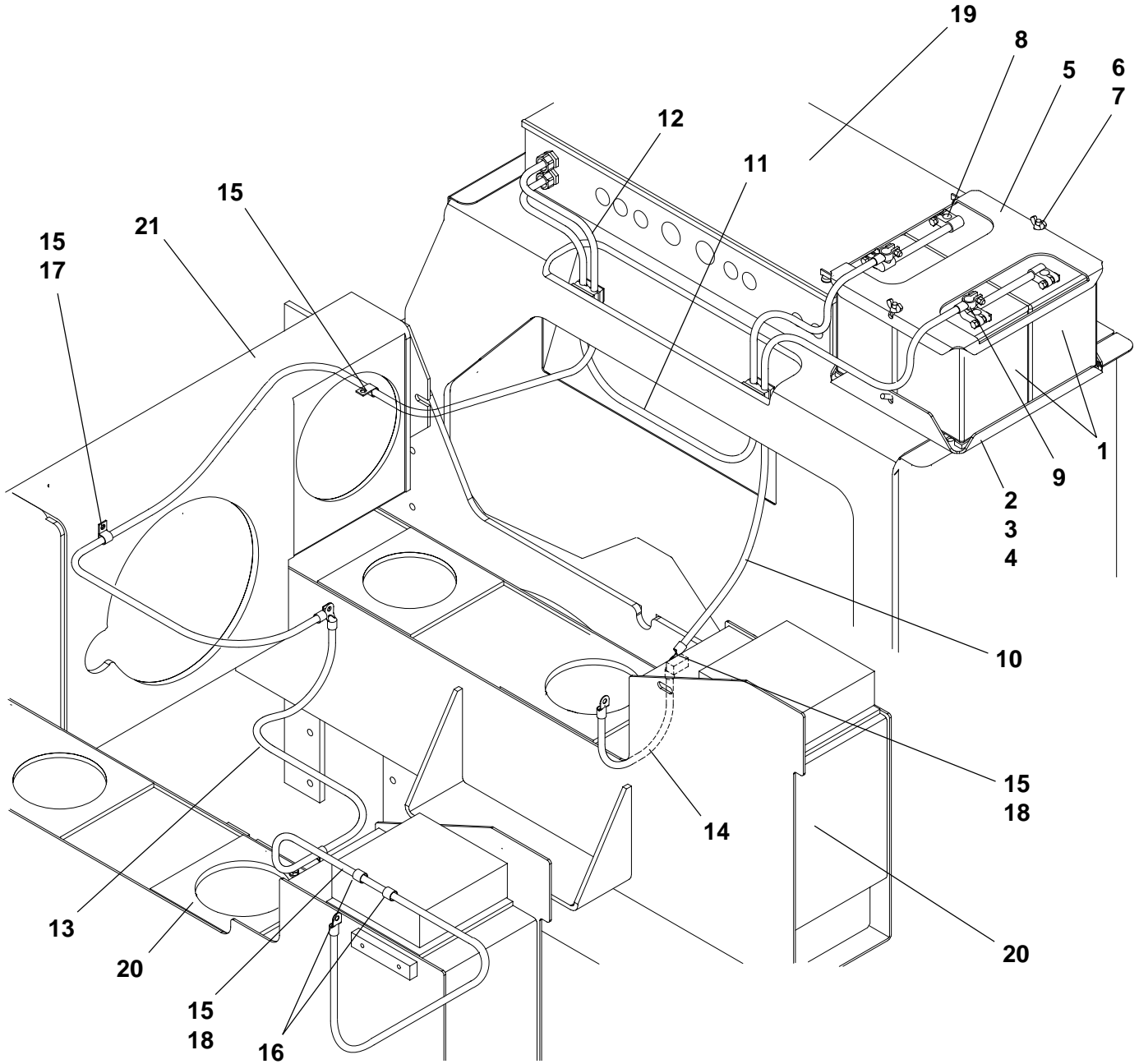
Air Cleaner Assembly
Parts List No. 05032GSK



Note: On Rubber Track Models, Air Cleaner is Mounted on Fuel Tank

Ref. No.	Part Number	Description	Quantity
1-4	45690-001-33	Cleaner, Air QSB5.9	1
1-5	45690-001-33-03	Mtg. Band, Air Cleaner	2
1-8	07383-038	Capscrew, 3/8" NC x 1"	4
1-9	07014-003	Washer, 3/8" Lock	4
1-12	45690-001-26-03	Indicator, Restriction	1
1-18	45340-001-22	Adapter, 4" x 5" Red. Elbow	1
1-19	09704-323-29	Tube, Air Inlet	1
1-20	45340-001-26	Elbow, 45° x 4" I.D.	1
1-25	45191-007-22	Clamp, 5.625" T-Bolt	1
1-26	45191-007-20	Clamp, 4.5" T-Bolt	2
1-27	45191-007-81	Clamp, T-Bolt	1

Battery Mounting & Cables



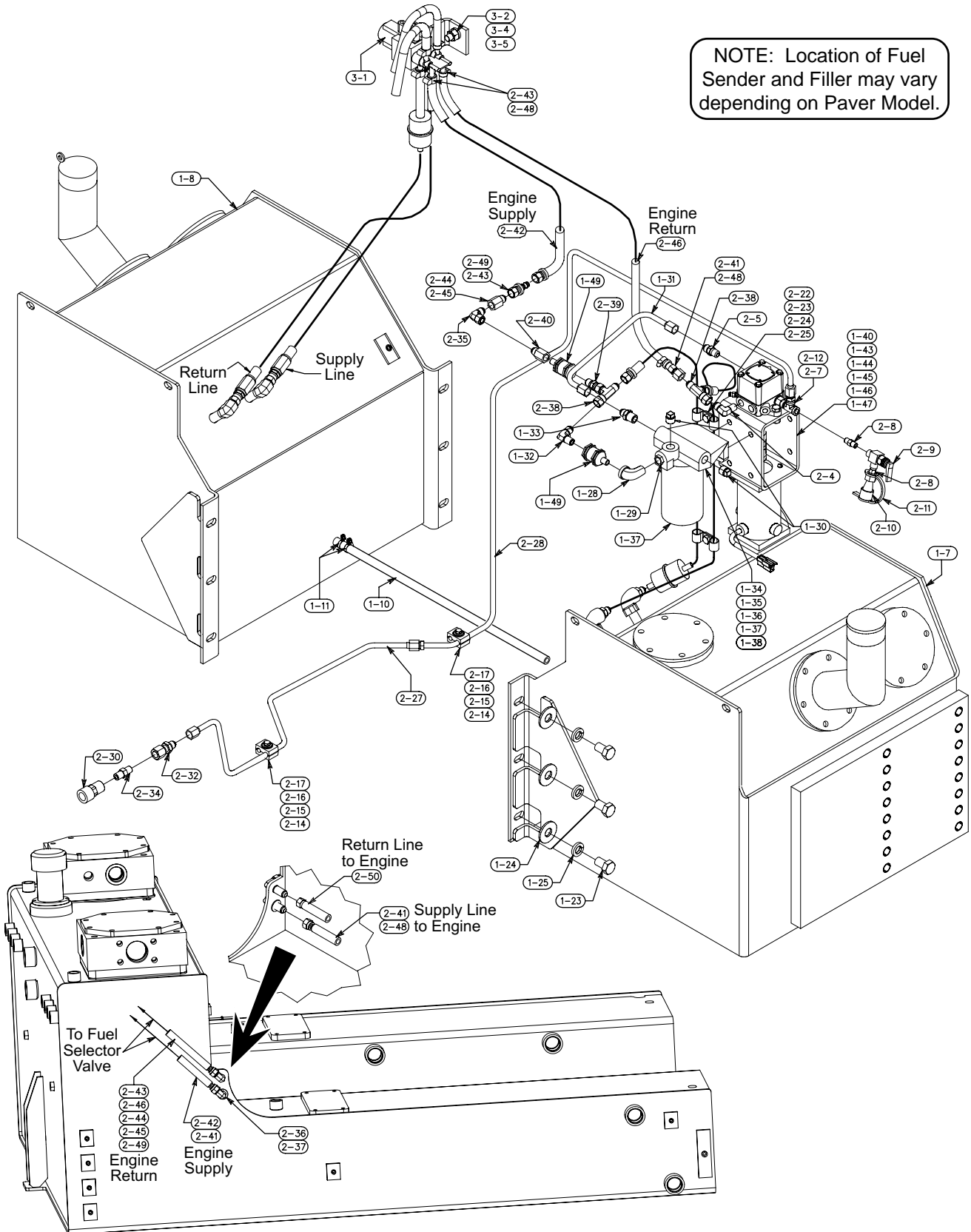
Battery Mounting & Cables
Parts List No. 5032GWG

Ref. No.	Part Number	Description	Quantity
1	45040-250-08	Battery, 12V	2
2	9704-318-62	Pad, Battery	1
3	9704-318-60	Mount, Battery Base	1
4	7072-194	Carriage Bolt, 1/2" NC x 1-3/4"	4
	7014-020	Washer, 1/2"	4
	7014-005	Lockwasher, 1/2"	4
	7012-027	Hex Nut, 1/2" NC	4
5	9704-318-61	Clamp, Battery Hold Down	1
6	4445-406-08-02	Bolt, Hook	2
7	7056-011	Wing Nut, 3/8" NC	2
8	45040-127-03	Jumper, Battery Negative	1
9	45040-127-04	Jumper, Battery Positive	1
10	9704-410-95	Cable, Negative to Engine	1
11	9704-410-96	Cable, Positive to Junction Box	1
12	9704-410-97	Cable, Starter	1
13	9704-410-98	Cable, Starter to Hood Raise	1
14	5008U2-1L	Cable	1
15	7509-004	Hose Clamp, 3/8"	3
16	7509-005	Clamp, 11/16"	2
	7383-020	Capscrew, 5/16" NC x 3/4"	1
17	7014-002	Lockwasher, 5/16"	1
	7383-038	Capscrew, 3/8" NC x 1"	2
18	7014-003	Lockwasher, 3/8"	2
	Reference	See Main Junction Box, Section 8	-
19	Reference	See Main Junction Box, Section 8	-
20	Reference	Left & Right Reservoirs - See Hydraulic Reservoir, Section 7	-
21	Reference	Pump Drive Weldment - See Pump Drives, Section 6	-

Note: Item No's 3 and 5 are supplied as part of Kit, Part No. 09709-300-22.

Fuel System

NOTE: Location of Fuel Sender and Filler may vary depending on Paver Model.



Fuel SystemParts List No. 5210GDR

Ref. No.	Part Number	Description	Quantity
1-7	9704-323-25	Fuel Tank, Right Hand - Complete	1
	45215-504-02	Filler Flange	1
	45215-501-05	Cap, Filler	1
	7054-005	Coupling - Half 3/4"	1
	7027-003	Plug, Drain 3/4"	1
	7430-090	Elbow, 3/8" FPT x 3/8" JIC	2
	45215-512-01	Sender, Fuel	1
	45930-001-18-02	Strainer, Fuel	1
	7431-008	Hose Fitting, 3/8" Swivel	4
	7430-239	Plug, 3/8" JIC	2
1-8	9704-323-24	Fuel Tank, Left Hand - Complete	1
	45215-504-02	Filler Flange	1
	45215-501-05	Cap, Filler	1
	7054-005	Coupling - Half 3/4"	1
	7027-003	Plug, Drain 3/4"	1
	45215-512-01	Sender, Fuel	1
	45930-001-18-02	Strainer, Fuel	1
	7430-323	Reducer, 3/8" x 1/4"	1
	7431-006	Hose Fitting, 1/4" Swivel	1
	7431-008	Hose Fitting, 3/8" Swivel	2
	7430-090	Elbow, 3/8" FPT x 3/8" JIC	2
	7430-206	Nut, Connector 3/8"	1
1-10	9704-316-22	Fuel Hose, Crossover	1
1-11	45191-004-65	Clamp, Adjustable Hose	4
1-23	7383-257	Capscrew, 5/8" x 1"	12
1-24	7014-022	Washer, 5/8"	12
1-25	7014-007	Lockwasher, 5/8"	12
1-28	7061-002	Elbow, 90° 1/4"	1
1-29	7107-002	Bushing, 3/8" x 1/4"	1
1-30	7024-003	Pipe Plug	2
1-31	9704-661-40	Tube Assembly	1
1-32	7430-019	Elbow, 90° 1/4" x 3/8"	1
1-33	7430-005	Connector, 3/8" NPT-3/8" JIC	1
1-34	7014-003	Lockwasher, 3/8"	2
1-35	7012-025	Hex Nut, 3/8"	2
1-36	7383-039	Capscrew, 3/8" x 1-1/4"	2
1-37	45175-001-43-01	Element, Fuel Filter	1
1-38	45175-001-43-02	Filter, Head	1
1-40	45652-528-11	Pump, Fuel - See Form #21900, Following Page	1
1-43	7383-039	Capscrew, 3/8" x 1-1/4"	4
1-44	7014-003	Lockwasher, 3/8"	4
1-45	7012-025	Hex Nut, 3/8"	4
1-46	7436-098	Machine Screw, #10-32 x 3/4"	4
1-47	7439-003	Lockwasher, #10	4

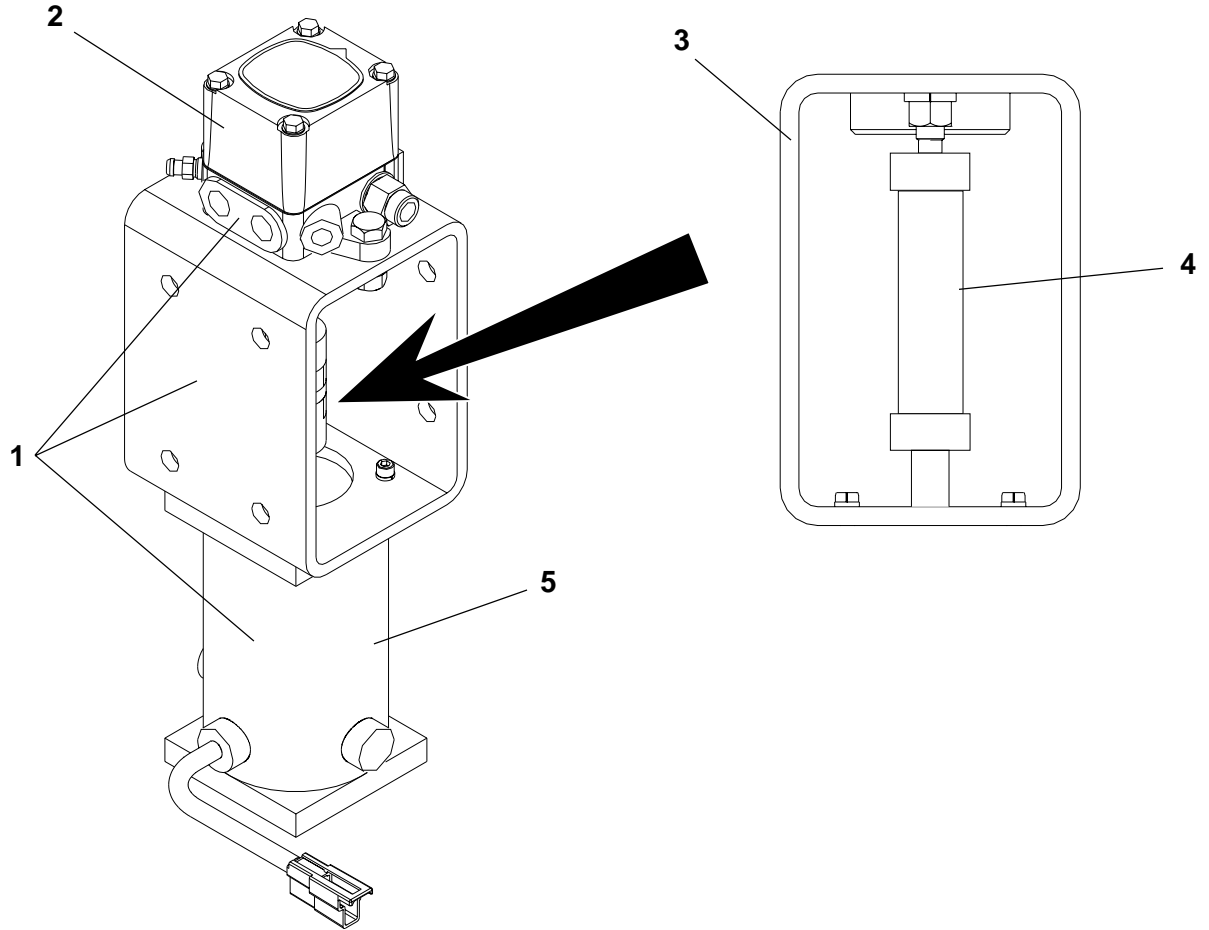
- Continued Next Page -

Fuel SystemParts List No. 5210GDR

Ref. No.	Part Number	Description	Quantity
1-49	45259-006-91	Valve, Check - 1/4" Fuel Line	2
2-4	7430-019	Elbow, 1/4" x 3/8"	1
2-5	7430-004	Connector, 1/4" x 3/8"	1
2-7	45720-776-14	Tee, 1/8"	1
2-8	45720-770-54	Nipple, 1/8"	2
2-9	45252-004-64	Valve, Shut Off	1
2-10	45191-504-29-03	Coupler, 1/8"	1
2-11	45191-504-29-01	Plug, Dust	1
2-12	7430-043	Connector, 3/8" x 1/8"	1
2-14	45080-529-22	Clamp Half, 3/8" Tube	4
2-15	7014-016	Washer, 1/4"	2
2-16	7014-001	Lockwasher, 1/4"	2
2-17	7383-006	Capscrew, 1/4" x 1"	2
2-22	7509-004	Clamp, 5/8" Hose	4
2-23	7383-039	Capscrew, 3/8" x 1-1/4"	2
2-24	7014-003	Lockwasher, 3/8"	2
2-25	7012-025	Hex Nut, 3/8"	2
2-27	9704-660-02	Tube Assembly - Rear Screed	1
2-28	9704-660-03	Tube Assembly - Front Screed	1
2-30	45191-504-14-01	Coupler, 1/4" QD	1
2-32	7430-335	Union	1
2-34	45720-770-21	Nipple	1
2-35	7430-383	Elbow, 3/8" Swivel Nut	1
2-36	7430-279	Elbow, #10 SAE #8 JIC	2
2-37	7014-019	Washer, 7/16"	2
2-38	7430-344	Tee, 3/8" JIC Swivel Nut	2
2-39	7430-423	Connector, 1/4" NPT x 3/8"	1
2-40	7430-011	Connector, 1/4" NPT-3/8"	1
2-41	7431-008	Fitting, Hose 3/8"	3
2-42	50030-002-02	Hose, 3/8"	As Req
2-43	45191-004-75	Clamp, Hose 5/8" Max.	5
2-44	7430-323	Reducer, 3/8" To 1/4"	3
2-45	7430-206	Nut, 3/8" JIC	2
2-46	50030-001-31	Hose, Fuel Line SAE 30R7	As Req
2-48	45191-004-28	Clamp, 25/32" Hose	4
2-49	7431-006	Hose End, 1/4" Swivel	2
2-50	9704-323-22	Hose Assembly, 3/8" ID x 56"	1
3-1	45252-014-14	Valve, Fuel Selector	1
3-2	9704-322-85	Bracket, Valve Mounting	1
3-4	7383-022	Capscrew, 5/16" x 1"	2
3-5	7014-002	Lockwasher, 5/16"	2

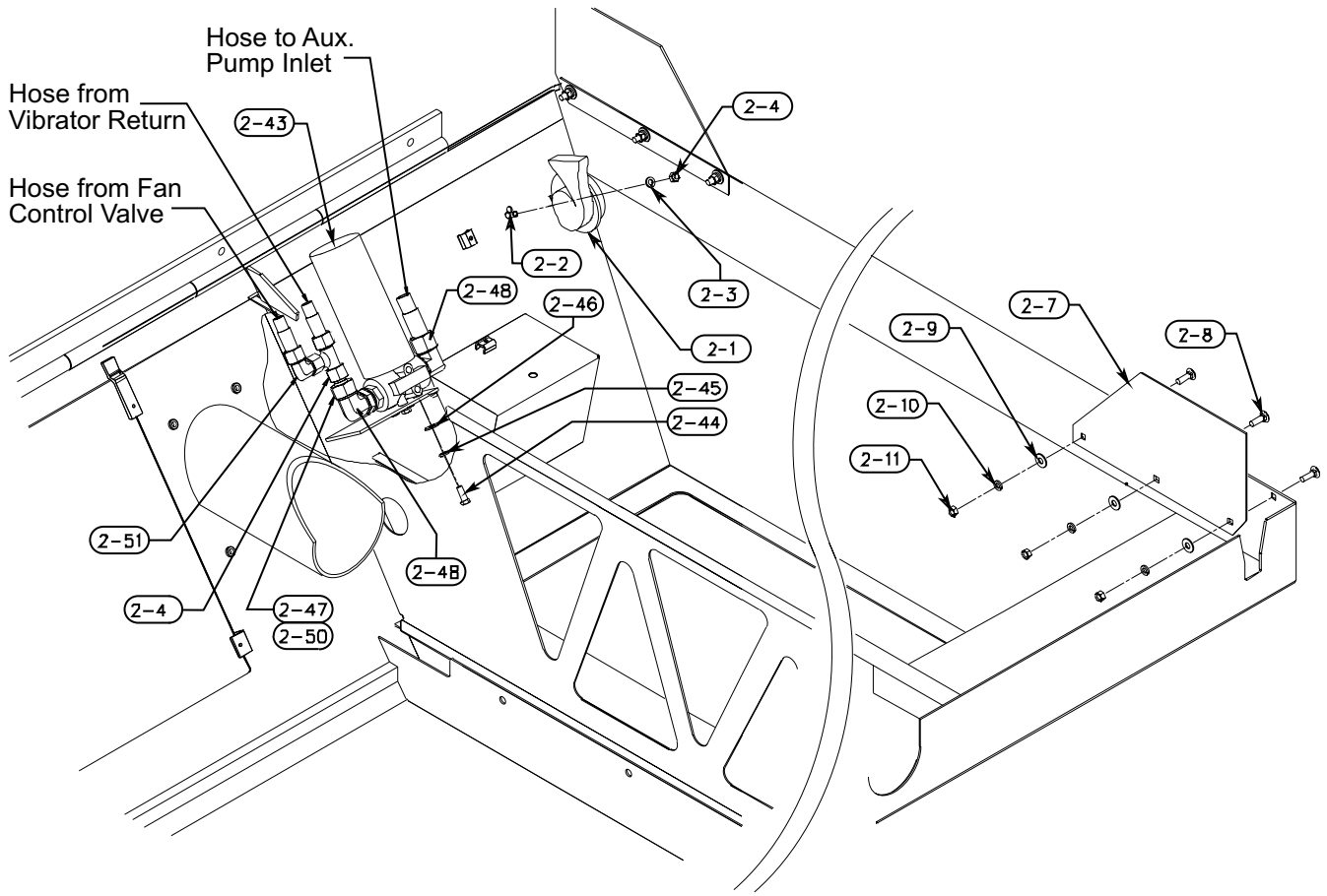
Note: Items 1-7 and 1-8 Fuel Tanks may be purchased as a Kit using Part No: 9709-300-14.

Fuel Pump



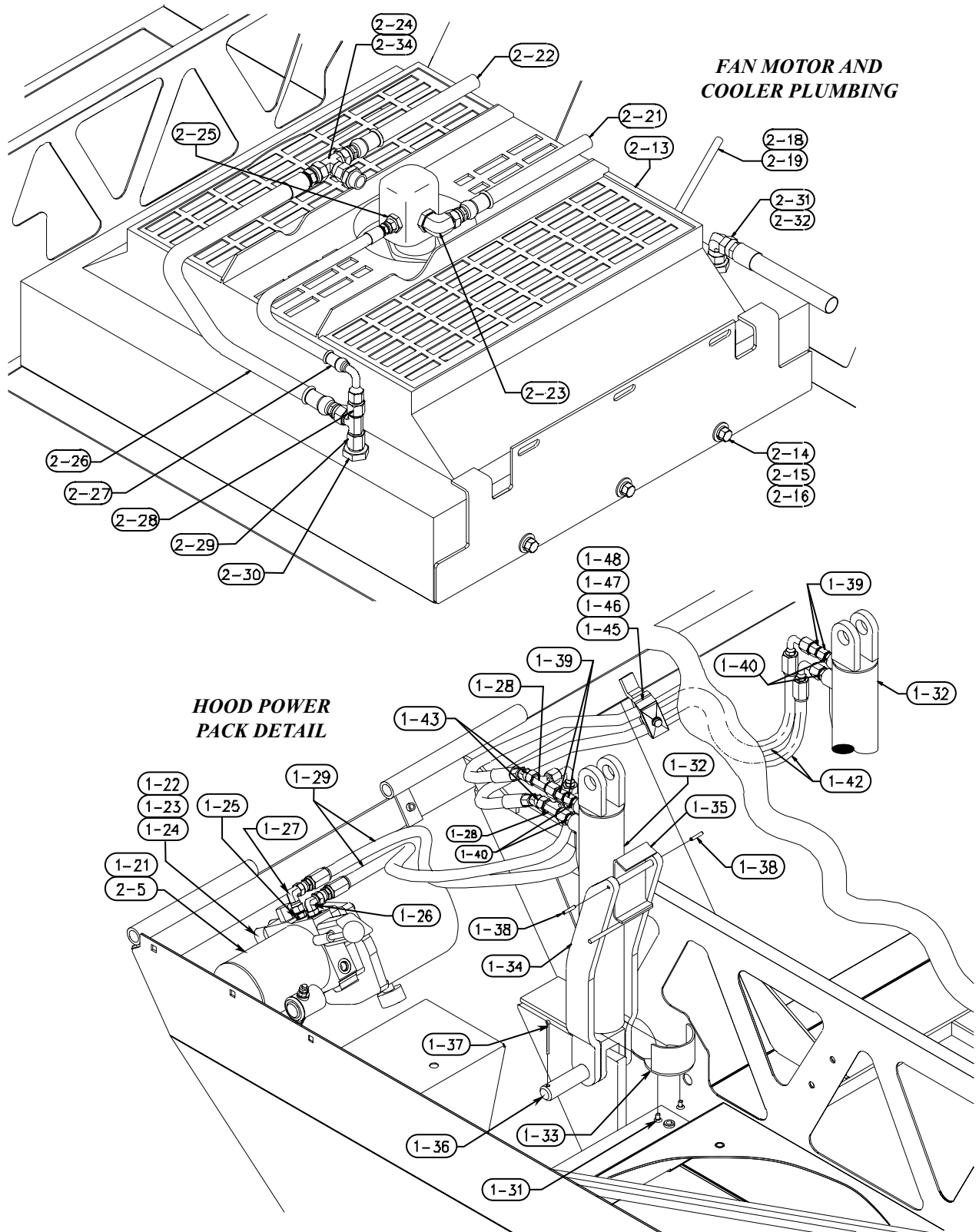
Ref. No.	Part Number	Description	Quantity
1	45652-528-11	Pump, Fuel - Complete	1
2	45652-528-11-01	Pump, Fuel	1
3	9704-555-80	Mount, Fuel Pump	1
4	45652-528-11-03	Coupling, 7/16" x 1/2"	1
5	9704-316-07	Motor, Fuel Pump w/Seal	1
	46098-400-14	Motor, Electric	1
	9704-316-08	Washer, Motor Seal	1
	45210-001-14	V-Seal - V-12S	1

Hood with Remote Oil Cooler



SUPERCHARGE FILTER - HARDWARE MTG.

Hood with Remote Oil Cooler





Hood with Remote Oil Cooler

Parts List No. 5032GMB

Ref. No.	Part Number	Description	Quantity
1-1	9704-319-76	Hood, Fabricated	1
1-2	9704-506-01	Kit, Acoustic Material (Consult Factory for details.)	1
1-21	45080-001-81	Hydraulic Unit, Power Pack	1
1-22	7383-041	Capscrew, 3/8" NC x 1-3/4"	2
1-23	7014-003	Lockwasher, 3/8"	2
1-24	9704-315-29	Block, Spacer	1
1-25	7430-416	Connector, 7/16" x 3/8" - with #3-1 O-Ring	1
1-26	7430-275	Elbow, 90° 9/16" x 3/8" - with #3-2 O-Ring	1
1-27	7430-383	Elbow, 90° 3/8" Swivel Nut	1
1-28	7430-344	Tee, 3/8" JIC SwivelNut	2
1-29	7651-027-35	Hose Assembly	2
1-31	7389-002	Capscrew, 1/4" NC x 1/2" - Sockethead	2
1-32	45090-007-85	Cylinder, Hydraulic	1
	45090-007-85-01	Seal Kit (For Above Cylinder)	As Req
1-33	9704-316-43	Trip, Cylinder Hood Latch	1
1-34	9704-317-97	Frame, Hood Latch	1
1-35	9704-312-37	Release, Hood Latch	1
1-36	9704-312-49	Pin, Cylinder	1
1-37	7011-066	Cotter Pin, 5/32" x 2"	2
1-38	7238-087	Roll Pin, 3/16" x 1"	2
1-39	45259-012-03	Fitting, 5/64" Orifice	2
1-40	7430-252	Connector, 9/16" x 3/8" - with #3-2 O-Ring	2
1-42	7650-082-35-01	Hose Assembly	2
1-43	7430-426	Elbow, #6 X 45 Swivel	2
1-45	45080-529-23	Clamp Half, for 1/2" Tube	4
1-46	45080-529-26	Plate, Cover For Clamp	2
1-47	7383-024	Capscrew, 5/16" NC x 1-1/2"	2
1-48	7014-002	Lockwasher, 5/16"	2
2-1	46010-001-12	Horn	1
2-2	7383-038	Capscrew, 3/8" NC x 1"	1
2-3	7014-003	Lockwasher, 3/8"	1
2-4	7012-025	Hex Nut, 3/8" NC	1
2-5	9704-410-32	Wire, Ground (Hood Raise)	1
2-7	9704-312-88	Extension, Hood	4
2-8	7072-052	Carriage Bolt, 3/8" NC x 1"	12
2-9	7014-018	Washer, 3/8"	12
2-10	7014-003	Lockwasher, 3/8"	12
2-11	7012-025	Hex Nut, 3/8" NC	12
2-13	45905-009-12	Oil Cooler Package - Complete	1
-	45905-009-12-01	Radiator	1
-	45905-009-12-02	Oil Cooler	1
-	45905-009-12-03	Air Cooler	1
-	9704-323-13	Fan, 28"	1
-	45080-006-35	Motor	1
-	7406-020	Bushing, Tapered	1
-	9704-323-07	Adapter	1

- Continued Next Page -

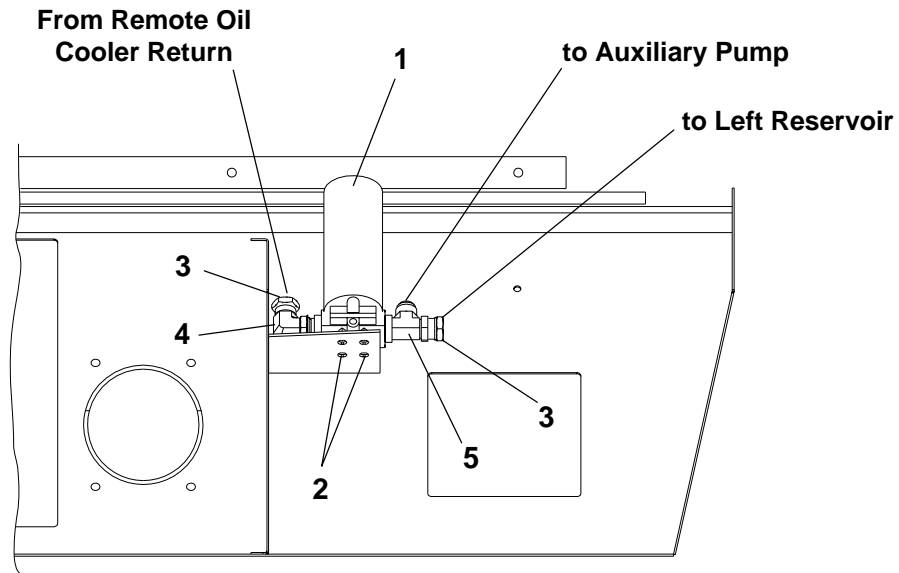
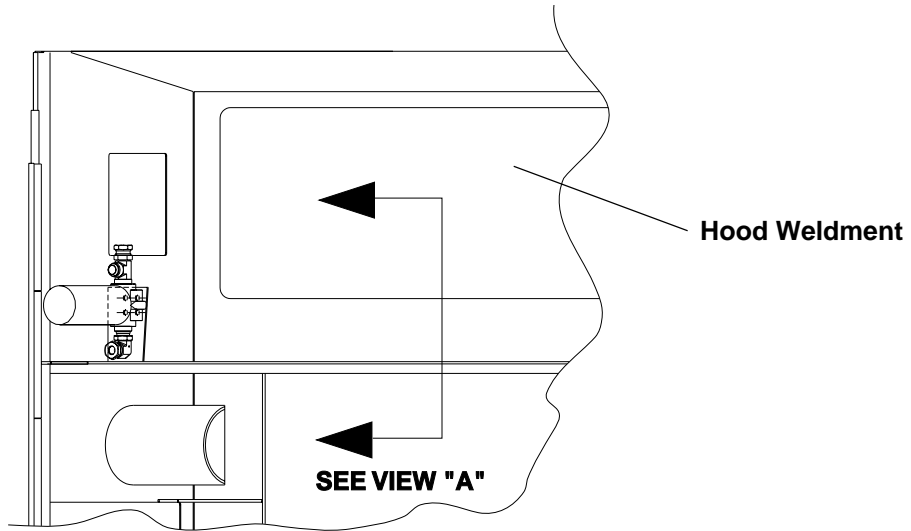


Hood with Remote Oil Cooler

Parts List No. 5032GMB

Ref. No.	Part Number	Description	Quantity
2-14	7383-069	Capscrew, 1/2" NC x 1-1/4"	6
2-15	7014-020	Washer, 1/2"	6
2-16	7014-005	Lockwasher, 1/2"	6
2-18	50030-001-31	Hose, Fuel Line SAE30R7	6
2-19	45191-004-75	Clamp, 5/8" Maximum Hose	1
2-21	7663-054-33	Hose Assemble 3/4" ID x 54"	1
2-22	7663-059-35	Hose Assemble 3/4" ID x 59"	1
2-23	7430-282	Elbow, #12 SAE #12 JIC	1
2-24	7430-358	Tee, 3/4" Swivel Nut - Male Run	1
2-25	7430-254	Connector, 9/16" SAE 1/2" JIC	1
2-26	7653-032-33	Hose Assembly	1
2-27	7652-028-35	Hose Assembly, 1/2" ID x 28"	1
2-28	7430-330	Reducer, 3/4" to 1/2"	1
2-29	7430-347	Tee, 3/4" JIC Swivel Nut	1
2-30	7430-264	Connector, 1-5/16" x 3/4" - with #3-3 O-Ring	6
2-31	7430-267	Connector, #16 SAE #16 JIC	1
2-23	7430-406	Elbow, 1" Swivel	1
2-33	7634-054-33	Hose Assembly, 1" ID x 54"	1
2-34	7430-263	Connector, 1-1/16" SAE 3/4" JIC	1
2-43	45175-001-41	Filter, Spin on - See Form 21618, Following Page	1
2-44	7383-038	Capscrew, 3/8" NC x 1"	4
2-45	7014-003	Lockwasher, 3/8"	4
2-46	7014-018	Washer, 3/8"	4
2-47	7430-409	Reducer, 1" JIC To 1/2" JIC	1
2-48	7430-285	Elbow, #16 SAE #16 JIC	2
2-49	7430-345	Tee, 1/2" Swivel Nut - Male Branch	1
2-50	7430-211	Nut, 1" JIC	1
2-51	7430-405	Elbow, 1/2" Swivel	1
3-1	45259-508-12	O-Ring, 7/16" (For hydraulic fittings)	As Req
3-2	45259-508-13	O-Ring, 9/16" (For hydraulic fittings)	As Req
3-3	45259-508-17	O-Ring, 1-5/16" (For hydraulic fittings)	As Req

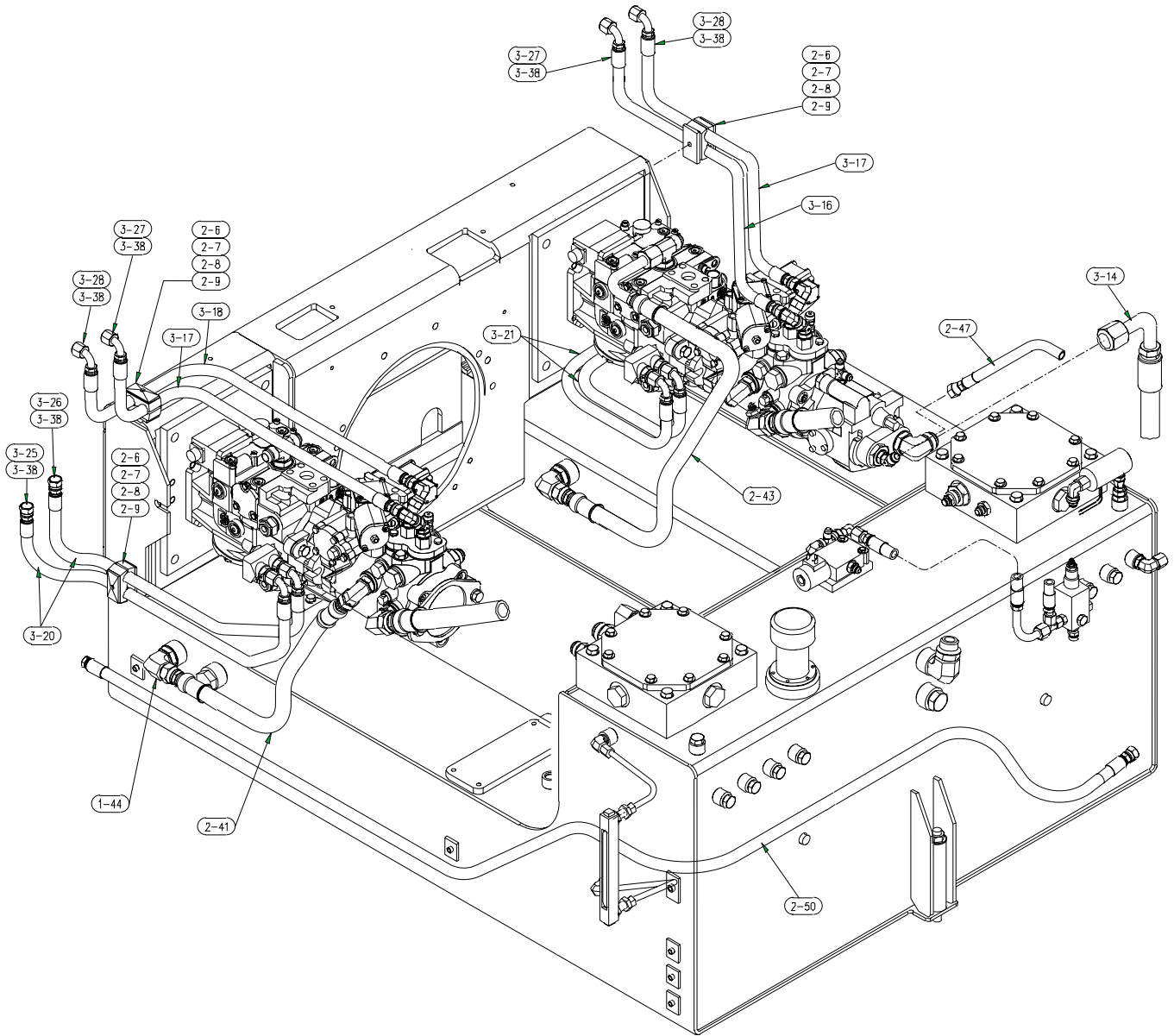
Auxiliary Suction Plumbing
Parts List No. 5032GMB



VIEW "A"

Ref. No.	Part Number	Description	Quantity
1	45175-001-41	Spin-On Filter Assembly	1
	45175-001-41-01	Element (For above Filter)	As Req
2	7383-038	Capscrew, 3/8" NC x 1"	4
	7014-003	Lockwasher, 3/8"	4
	7014-018	Washer, 3/8"	4
3	7430-409	Reducer, 1" x 1/2"	2
4	7430-285	Elbow, 90° 1-5/16" x 1" - with #6 O-Ring	1
5	7430-296	Tee, 1" Run - with #6 O-Ring	1
6	45259-508-17	O-Ring, 1-5/16" (For hydraulic fittings)	As Req

Hydraulic Reservoir



Hydraulic Reservoir

Parts List No. 5032QJF

Ref. No.	Part Number	Description	Quantity
1-4	09704-662-44	Reservoir	1
1-5	7383-099	Capscrew, 5/8" NC 1-1/4"	2
1-6	7097-013	Washer, 5/8" SAE	2
1-7	7014-007	Lockwasher, 5/8"	3
1-8	7187-029	Adj. Bolt	1
1-9	7012-029	Hex Nut, 5/8" NC	1
1-10	9704-323-21	Spacer	1
1-15	7430-278	Elbow, #8 SAE #8 JIC	1
1-16	7430-382	Plug, #8 SAE	8
1-17	7430-285	Elbow, #16 SAE #16 JIC	1
1-18	7430-314	Elbow, 3/4" SAE 1/2" JIC	1
1-19	7430-229	Cap, 1/2"	1
1-20	7430-253	Connector, 3/4" SAE 3/8" JIC	3
1-21	7430-434	Plug	10
1-22	45720-775-63	Plug	1
1-23	7430-231	Cap, 3/4"	1
1-25	45720-775-28	Reducer, 1" SAE To 1/2" SAE	2
1-28	45720-775-55	Reducer, #8 x #6 SAE	1
1-29	7430-432	Connector, 3/8" SAE 3/8" JIC	1
1-30	7430-043	Connector, 3/8" JIC x 1/8" MP	1
1-31	9704-376-54	Valve, Dump	1
1-32	45720-770-01	Elbow, Fitting	1
1-34	7430-268	Connector, 1-5/8" SAE 1" JIC	1
1-35	7430-270	Connector, 1-5/8" Str. Thread	1
1-36	7430-406	Elbow, 1" Swivel	1
1-37	7430-429	Elbow, 1" Swivel	1
1-39	45720-775-92	Adapter, 1" SAE To 1/2" F.	1
1-40	9704-376-52	Switch, Hydraulic Temp.	1
1-41	45865-003-18	Sender, Temperature	1
1-42	7430-464	Plug, #24	2
1-43	7430-67	Connector, #16 SAE #16 JIC	4
1-44	7430-378	Elbow, 1-5/16" SAE 3/4" JIC	4
1-45	7430-255	Connector, #80R x 1/2" JIC	3
1-47	7430-264	Connector, 1-5/16" SAE 3/4"	2
2-1	45080-529-29	Clamp, 1-1/4" Half	2
2-2	45080-529-30	Cover, 1-1/4" Clamp	2
2-3	7383-028	Capscrew, 5/16"NC x 2-12"	1
2-4	7014-002	Lockwasher, 5/16"	1
2-6	45080-529-25	Clamp Half, For Tube	8
2-7	45080-529-27	Plate, Cover For Clamp	4
2-8	7383-027	Capscrew, 5/16" NC X 2-1/4"	4
2-18	7509-009	Clamp, Hose 1-1/8"	2
2-21	45252-007-37	Valve, Press Compensated	1
2-22	7383-028	Capscrew, 5/16 NC x 2-12"	2
2-23	7014-002	Lockwasher, 5/16"	2
2-24	7014-017	Washer, 5/16"	2
2-25	7430-263	Connector, 1-1/16" SAE 3/4" JIC	1

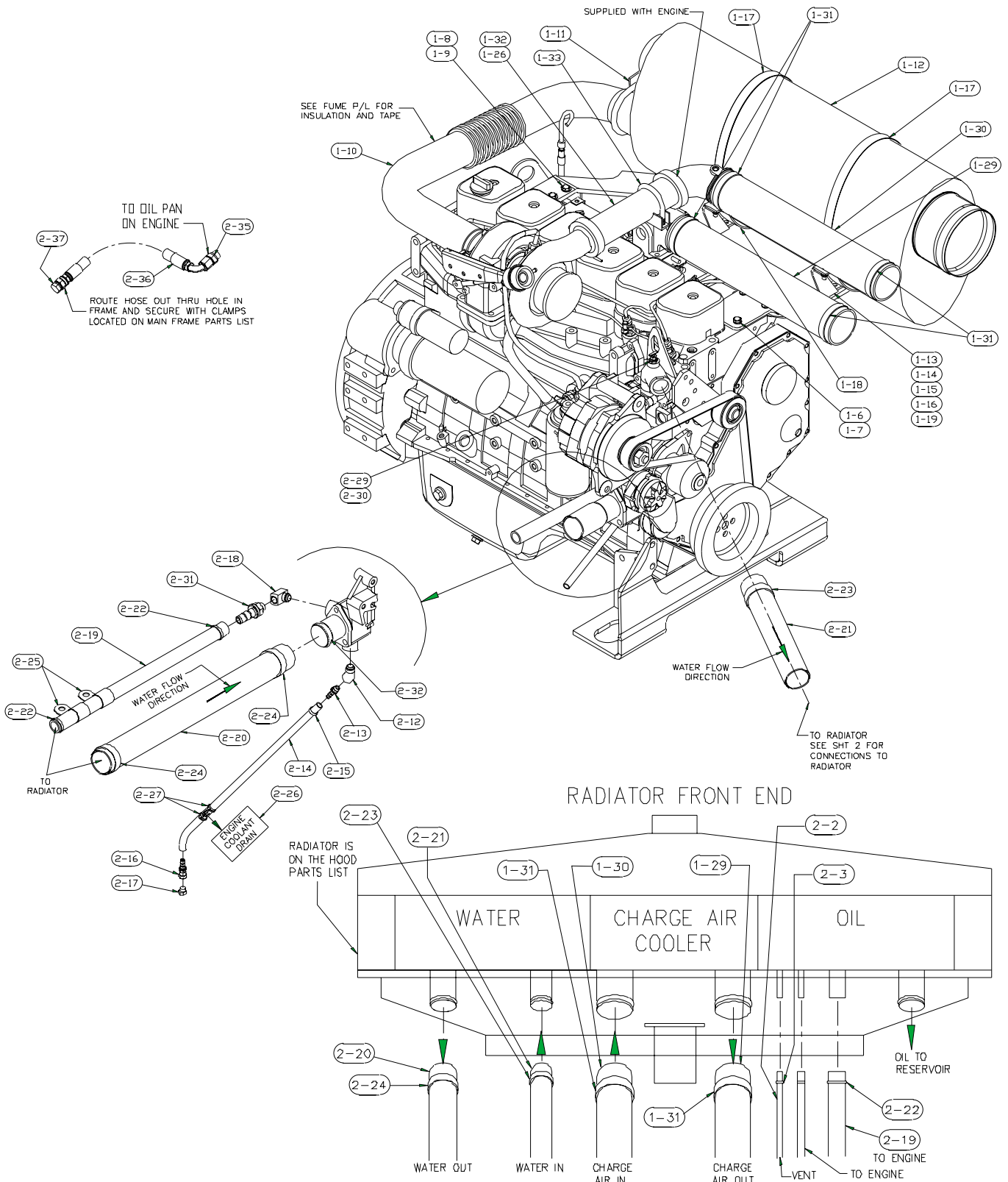
- Continued -

Hydraulic Reservoir

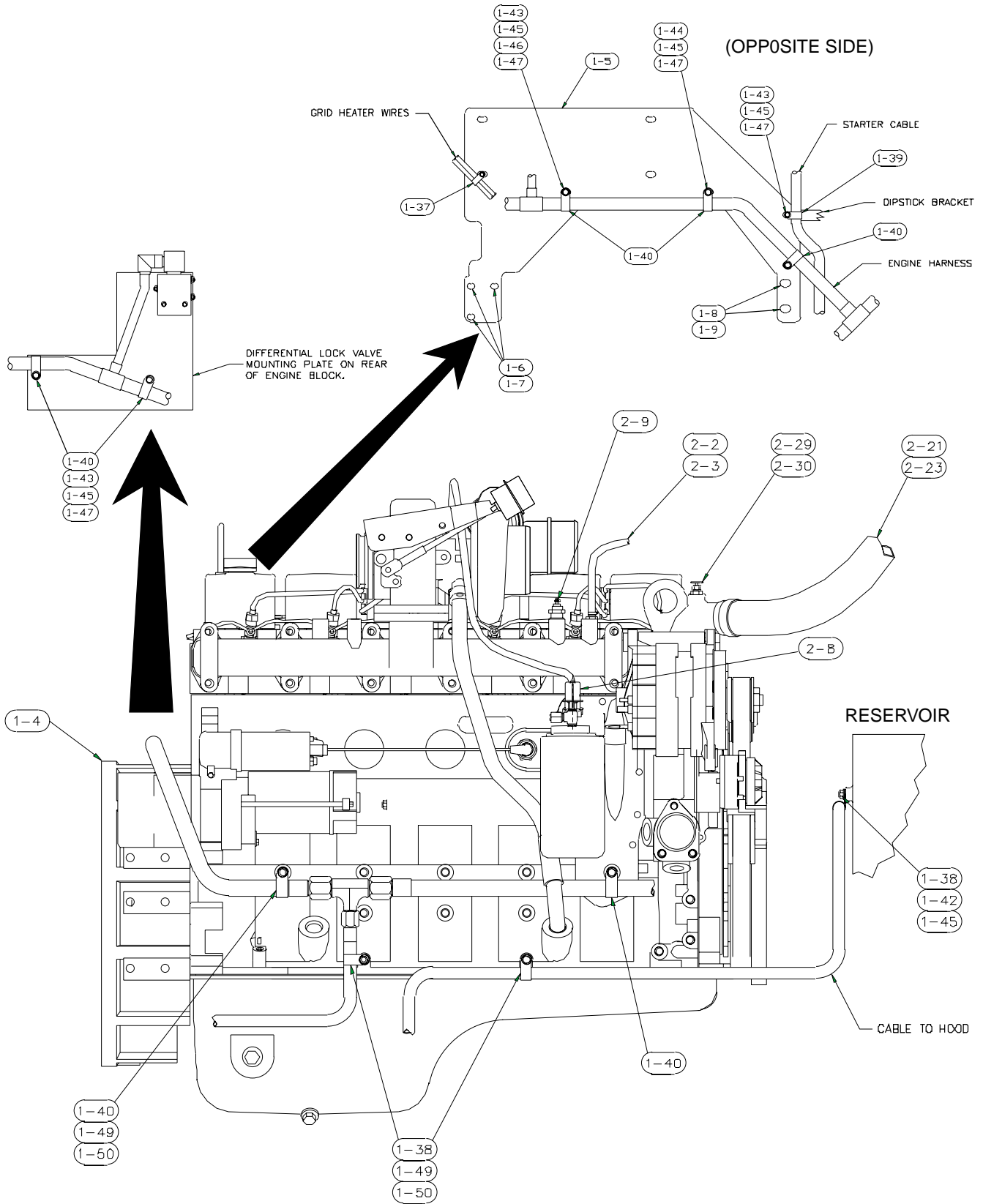
Parts List No. 5032QJF

Ref. No.	Part Number	Description	Quantity
2-26	7430-282	Elbow, #12 SAE #12 JIC	2
2-27	7430-347	Tee, 3/4" JIC Swivel, Nut	2
2-28	07663-018-35	Hose Assembly, 3/4" ID x 18"	1
2-29	7430-330	Reducer, 3/4" To 1/2"	1
2-30	7430-262	Connector, 7/8" SAE 3/4" JIC	1
2-31	45252-009-19	Valve	1
2-32	7430-386	Plug, 5/8"	1
2-33	45080-527-06	Fitting, Test 1/4" NPT	1
2-34	45720-770-60	Plug, 1/4" Pipe	1
2-35	45720-775-34	Reducer, 5/8" SAE To 1/2"	1
2-36	45720-775-87	Union, #8 SAE	1
2-37	07663-038-35	Hose, Assembly, 3/4" ID x 38"	1
2-39	07683-044-35	Hose Assembly, 3/4" ID x 44"	2
2-40	07683-056-35	Hose Assembly	2
2-41	07653-020-33	Case, Conveyor Hose Assembly	1
2-42	07653-021-35	Hose Assembly, 3/4" ID x 21"	1
2-43	07653-021-38	Hose Assembly, 3/4" ID x 30"	1
2-44	07653-038-35	Hose Assembly, 3/4" ID	1
2-45	07652-016-34	Hose Assembly, 1/2" ID x 16"	1
2-46	07652-047-35	Hose Assembly, 1/2" ID x 47"	1
2-47	07652-055-38	Hose Assembly, 1/2" ID x 55"	1
2-48	07652-062-35	Hose Assembly, 1/2" ID x 62"	1
2-49	07652-064-33	Hose Assembly, 1/2" ID x 64"	1
2-50	07652-154-33	Hose Assembly, 1/2" ID x 154"	1
2-51	07651-018-35	Hose Assembly	1
3-2	45865-001-50	Gauge, Liquid Level	1
3-3	7430-276	Elbow, 3/4" SAE 3/8" JIC	2
3-5	9704-059-24	Tube Assembly, Sight Gage Lower	2
3-9	07634-033-35	Hose Assembly, Traction Suction	1
3-10	07634-024-34	Hose Assembly, 1" ID x 24"	1
3-11	07634-026-33	Hose Assembly, 1" ID x 26"	1
3-12	07634-026-35	Hose Assembly, 1" ID x 26"	1
3-13	07634-037-35	Hose Assembly, 1" ID x 37"	1
3-14	07634-050-35	Hose Assembly, 1" ID x 50"	1
3-15	07635-050-35	Hose Assembly, 50"	1
3-16	07652-042-35	Hose Assembly, 1/2" ID x 42"	1
3-17	07652-033-35	Hose Assembly, 1/2" ID x 33"	2
3-18	07652-036-35	Hose Assembly, 1/2" ID x 36"	1
3-20	07652-041-35	Hose Assembly, RH Traction	2
3-21	07652-044-35	Hose Assembly, LH Traction	2
3-23	07633-052-33	Hose Assembly, 3/4" ID x 52"	1
3-24	7430-242	Plug, 3/4"	1
3-25	7470-154	Nameplate, Track Charge	2
3-26	7470-155	Nameplate, Track Charge	2
3-27	7470-156	Nameplate, Conveyor Charge	2
3-28	7470-157	Nameplate, Conveyor Charge	2
3-29	7470-158	Nameplate, Reservoir Drain	1
3-38	46320-001-20	Cable Tie, 3/8" x 1-3/4"	9

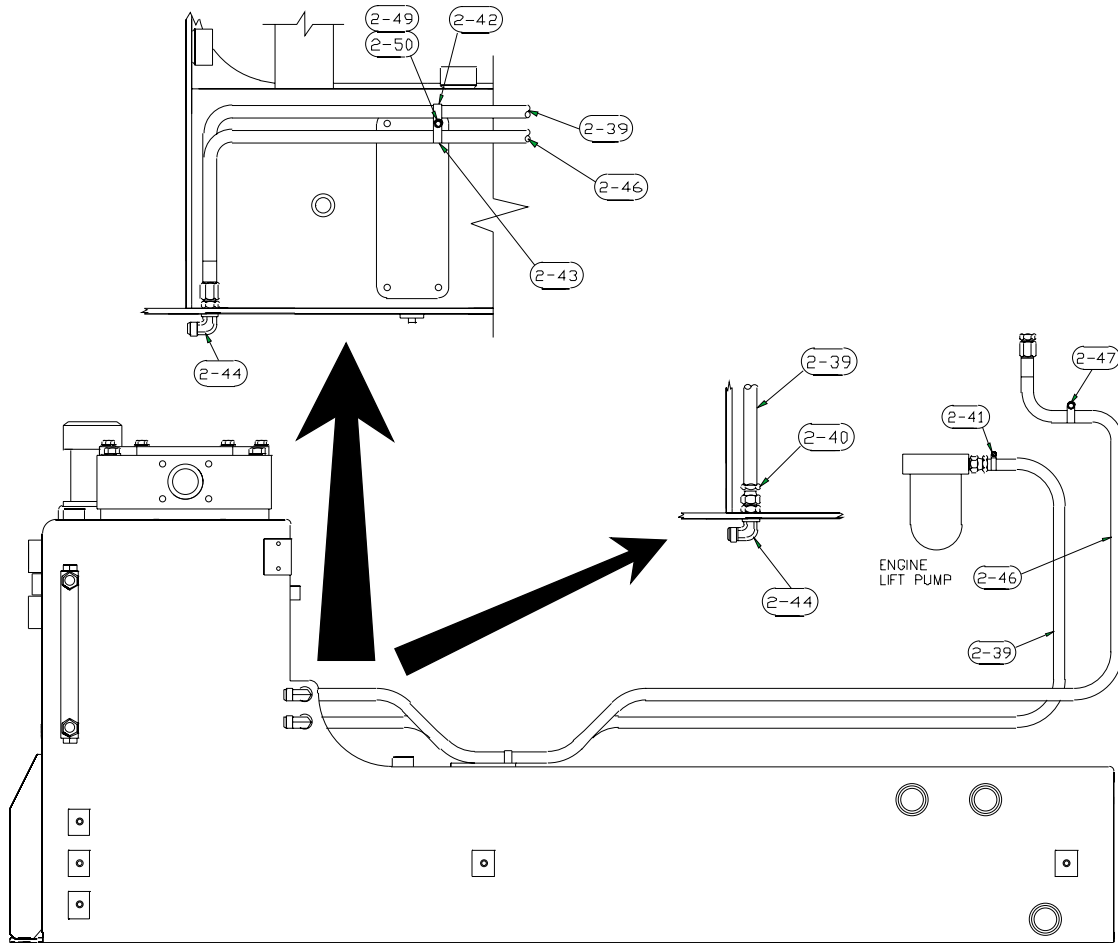
Power Mounting



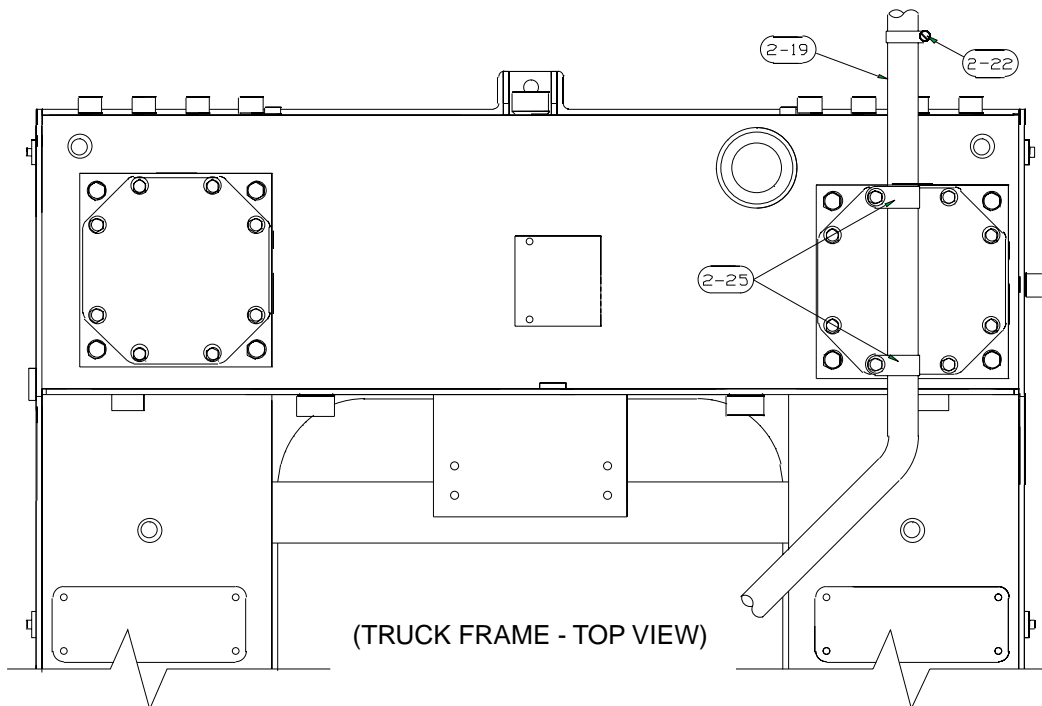
Power Mounting



Power Mounting



(TRUCK FRAME - SIDE VIEW)



(TRUCK FRAME - TOP VIEW)



Power Mounting

Part List No. 05210GUT

Ref. No.	Part Number	Description	Quantity
1-1	Reference Only	Assembly, Power Mounting	1
1-4	45930-001-58	Engine, Cummins QSB5.9-C - <i>See Cummins Manual</i>	1
1-5	9704-321-86	Plate, Muffler Mounting	1
1-6	45890-300-02	Capscrew, M10 x 30 Hex Head	3
1-7	45890-301-10	Lockwasher, 10MM Style 79	3
1-8	45890-301-11	Washer, M12 x 18 x 2.5	2
1-9	45890-300-54	Capscrew, Socket Head 12MM	2
1-10	9704-315-98	Tube, Exhaust	1
1-11	45710-002-03	Clamp, 3" Saddle	1
1-12	9704-306-31	Muffler, Fume Recovery	1
1-13	9704-321-73	Bracket, Fume Recovery/Muffler	2
1-14	7014-018	Washer, 3/8"	7
1-15	7072-053	Carriage Bolt, 3/8" NC x 1-1/4"	4
1-16	7012-025	Hex Nut 3/8" NC	4
1-17	46185-001-26	Clamp, Strap	2
1-18	45710-002-14	Clamp, Muffler Mounting	2
1-19	7014-003	Lockwasher, 3/8"	4
1-26	9704-322-23	Extension, Turbo	1
1-29	9704-323-86	Hose, 3" Hot Air Blower - 50"	1
1-30	9704-323-85	Hose, 3" Hot Air Blower - 54"	1
1-31	45191-007-16	Clamp, 3.5", T-Bolt	4
1-32	9704-322-59	Mount, PTurbo, Extension	1
1-33	45710-002-16	Clamp, PU-Bolt	1
1-37	7509-004	Clamp, Hose 5/8"	1
1-38	7509-005	Clamp, 11/16"	3
1-39	7509-006	Clamp, 3/4"	1
1-40	7509-008	Clamp, Hose, 15/16"	7
1-42	7383-036	Capscrew, 3/8" NC x 3/4"	1
1-43	7383-038	Capscrew, 3/8" NC x 1"	4
1-44	7072-053	Carriage Bolt, 3/8" NC x 1-1/4"	2
1-45	7014-003	Lockwasher, 3/8"	7
1-46	7014-018	Washer, 3/8"	1
1-47	7012-025	Hex Nut, 3/8" NC	6
1-49	45890-300-42	Capscrew, M8 x 20 x 1.25	3
1-50	45890-301-05	Lockwasher, M8 Style 127B	3
2-2	50030-002-02	Hose, 3/8" ID	4.3'
2-3	45191-004-28	Clamp, 25/32" Hose	2
2-8	45865-002-17	Sensor, Oil Pressure	1
2-9	45865-003-19	Sender, Trmperature	1
2-12	45191-007-79	Elbow, 45 Deg. Street	1
2-13	45191-510-63	Fitting, 1/2" Barb x 1/2" NPT	1
2-14	50030-002-03	Hose, 1/2" ID	7.5'
2-15	45191-004-34	Clamp, 9/16" x 1-1/16"	1
2-16	7431-009	Fitting, 1/2" Hose Swivel	1

- Continued -



Power Mounting

Part List No. 05210GUT

Ref. No.	Part Number	Description	Quantity
2-17	7430-240	Plug #8	1
2-18	45191-007-80	Elbow, 3/4" Street	1
2-19	9704-323-10	Hose, Coolant Fill	1
2-20	9704-322-94	Hose, 2.13" ID	1
2-21	9704-322-93	Hose, 1.75" ID	1
2-22	45191-007-74	Clamp, T-Bolt 1.50"	2
2-23	45191-007-75	Clamp, T-Bolt 2.25"	2
2-24	45191-007-67	Clamp, T-Bolt 1.50" Minimum Diameter	2
2-25	7509-011	Clamp, 1-3/8"	2
2-26	7470-169	Nameplate, Coolant Drain	1
2-27	46320-001-20	Table Tie, 3/8" x 1-3/4"	1
2-29	45720-769-01	Reducer, 1/4" p to 1/8"P	1
2-30	45250-007-08	Valve, 1/8" Petcock	1
2-31	45191-510-65	Fitting, 1" Hose Barb, x 3/4"	1
2-32	9704-323-14	Connector, QSB Water Inlet	1
2-35	45720-775-50	Adapter, M18 x 1.5 Stud	1
2-36	7652-086-35	Hose Assembly 1/2" ID x 86"	1
2-37	7430-240	Plug, #8	1
2-39	50030-002-02	Hose, 3/8" ID	4.5'
2-40	7431-008	Hose End, 3/8" Hose Swivel	1
2-41	45191-004-28	Clamp, 25/32" Hose	1
2-42	7509-005	Clamp, 11/16"	1
2-43	7509-003	Clamp, 1/2"	1
2-44	7430-379	Elbow, 3/8" union	2
2-46	9704-323-22	Hose Assembly, 3/8" ID x 56"	1
2-47	45191-004-75	Clamp, 5/8" Maximum Hose	1
2-49	7383-036	Capscrew, 3/8" NC x 3/4"	1
2-50	7014-003	Lockwasher, 3/8"	1

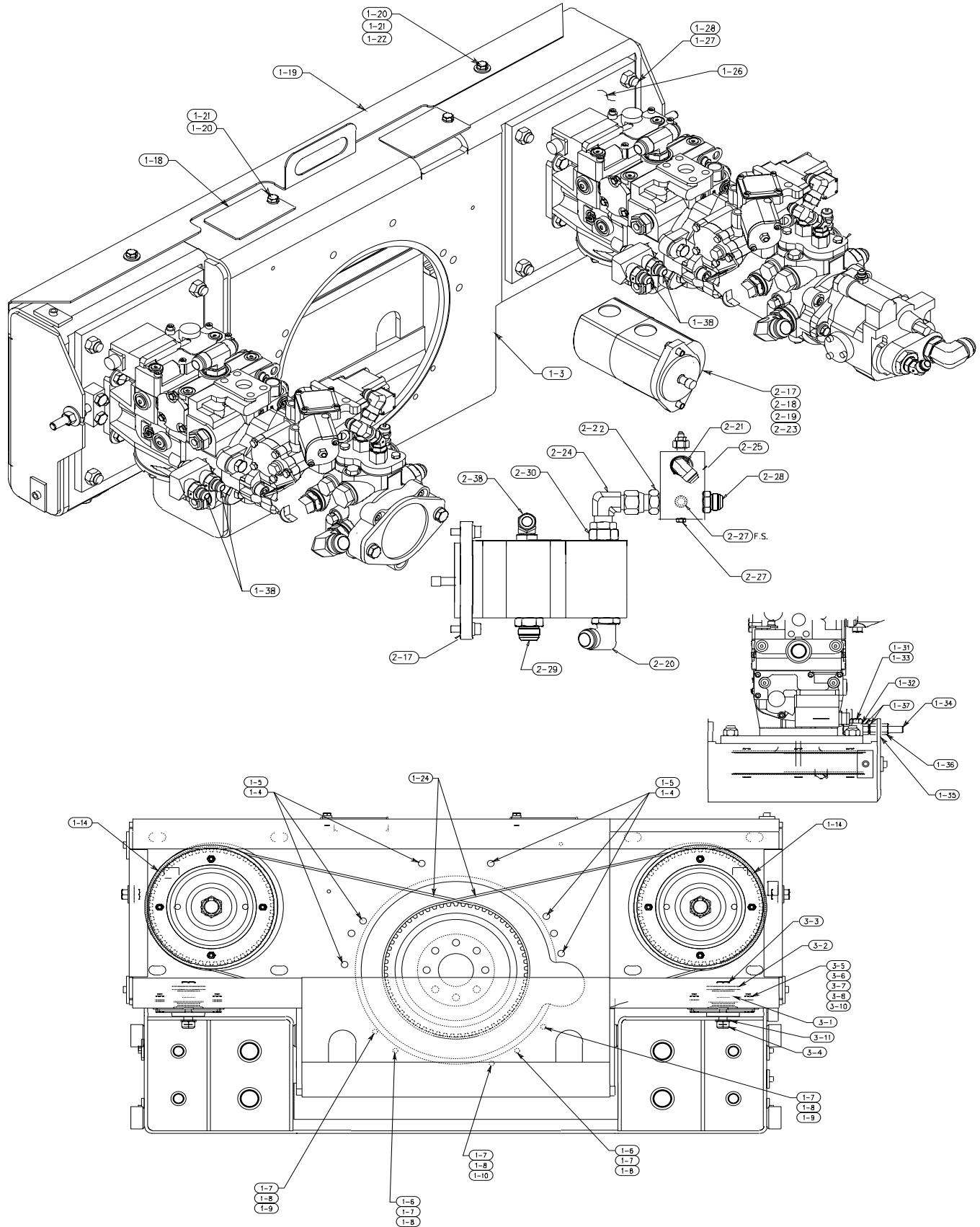
[Return to Table
of Contents Page](#)

Table of Contents**Pump Drive Components - 05032DUF**

Ref No.	Description	Page No.
<u>1</u>	<u>Pump Drive Illustration - Part 1</u>	<u>2</u>
<u>2</u>	<u>Pump Drive Illustration - Part 2</u>	<u>3</u>
<u>3</u>	<u>Pump Drive Parts List - Part 1</u>	<u>4</u>
<u>4</u>	<u>Pump Drive Parts List - Part 2</u>	<u>5</u>
<u>5</u>	<u>Auxiliary Pump</u>	<u>6</u>
<u>6</u>	<u>Traction Pump</u>	<u>7</u>
<u>7</u>	<u>Conveyor Pump</u>	<u>8</u>

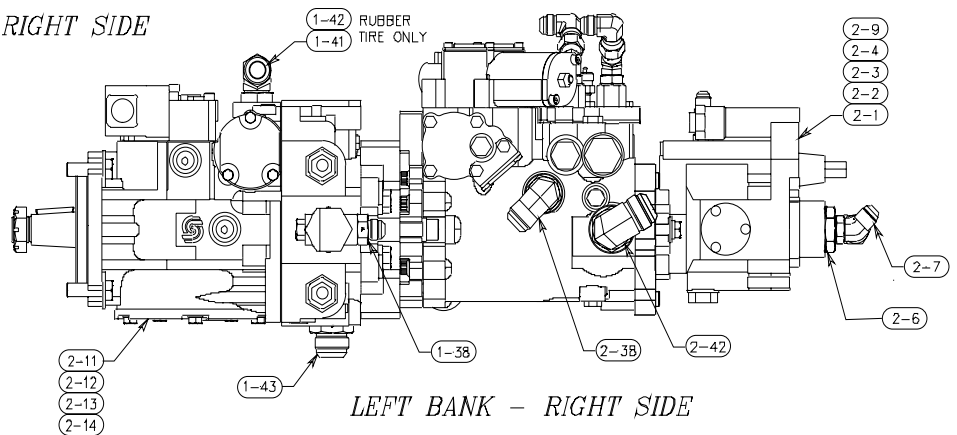
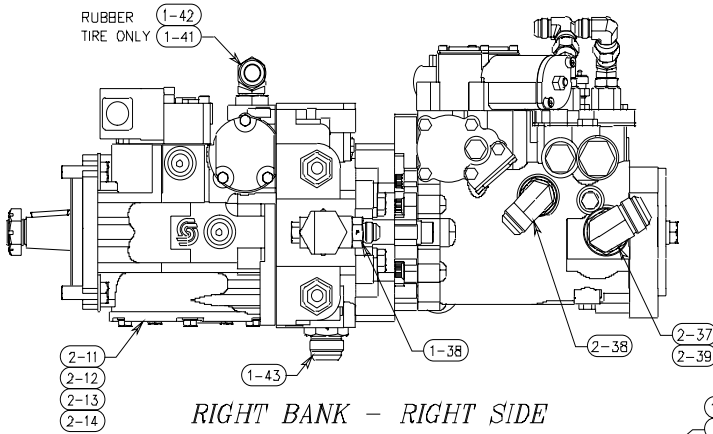
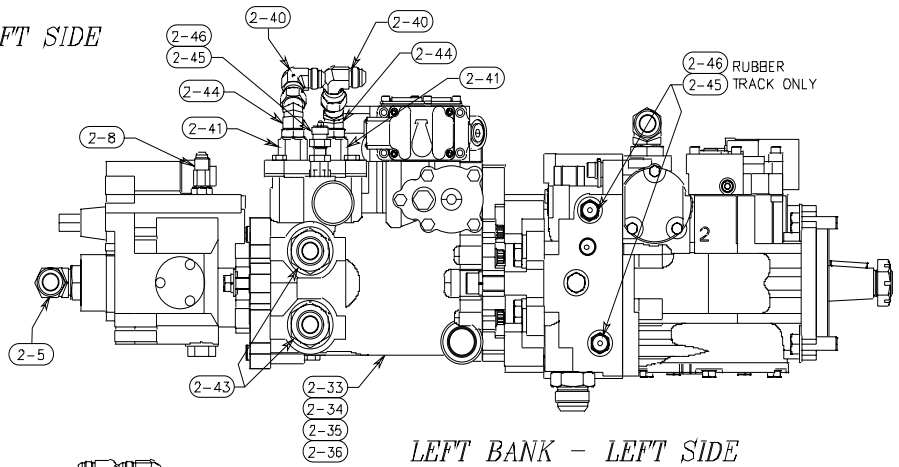
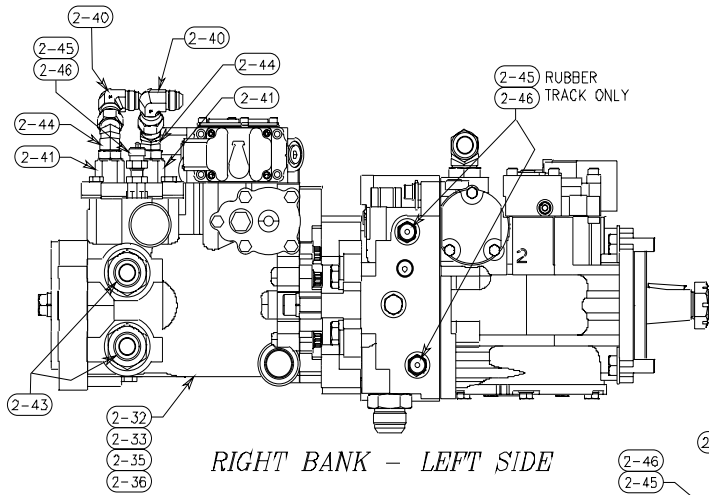
Return to Table
of Contents Page

Pump Drive



**Return to Table
of Contents Page**

Pump Drive



**Return to Table
of Contents Page**



Pump Drive

Parts List No. 5032DUF

Ref. No.	Part Number	Description	Quantity
1-3	9704-155-72	Housing, Pump Drive	1
1-4	7383-054	Capscrew, 7/16" NC X 1-1/4"	6
1-5	7014-004	Washer, 7/16" Lock	6
1-6	7383-028	Capscrew, 5/16" NC X 2-1/2"	2
1-7	7014-002	Washer, 5/16" Lock	5
1-8	7012-024	Hex Nut, 5/16" NC	5
1-9	7383-030	Capscrew, 5/16" NC x 3"	2
1-10	7383-027	Capscrew, 5/16" NC X 2-1/4"	1
1-14	9704-315-06	Sprocket, Pump	2
1-18	9704-314-18	Cover, Inspection	2
1-19	9704-315-20	Cover, Drive Case	1
1-20	7383-036	Capscrew, 3/8" NC x 3/4"	4
1-21	7014-003	Lockwasher, 3/8"	4
1-22	7014-018	Washer, 3/8"	2
1-24	45825-004-04	Belt, Poly-Chain - 125 Teeth	2
1-26	9704-315-58	Plate, Pump Mount	2
1-27	7072-197	Carriage Bolt, 5/8" NC x 1-3/4"	8
1-28	45890-102-33	Hex Nut, 5/8" Lock	8
1-31	7014-005	Washer, 1/2" Lock	4
1-32	9704-312-41	Block, Adjusting Bolt	2
1-33	7383-071	Capscrew, 1/2" NC x 1-3/4"	4
1-34	7285-009	Adjusting Bolt, 1/2" NC x 4"	2
1-35	7465-001	Washer, 1/2"	4
1-36	7012-027	Hex Nut, 1/2" NC	2
1-37	7017-027	Hex Nut, 1/2" NC Jam	4
1-38	7430-256	Connector, 7/8" x 1/2" - with O-Ring	4
	45259-508-71	O-Ring, 7/8" (For above fitting)	As Req
1-40	7509-012	Clamp, Hose 1-1/2"	1
1-42	7430-282	Elbow, #12 SAE #12 JIC	2
1-43	7430-267	Connector, 1-5/16" x 1" - with O-Ring	2
	45259-508-17	O-Ring, 1-5/16" (For above fitting)	As Req
1-46	9704-376-57	Harness, Engine 400/500	1
1-47	9704-376-18	Harness, Grid Heater	1
1-48	9704-376-28	Harness, QSB Engine	1
2-1	45240-125-62	O-Ring, 3.443" O.D.	1
2-2	45080-002-10	Pump, Auxiliary - <i>See Form #21328, This Section</i>	1
2-3	7383-039	Capscrew, 3/8" NC x 1-1/4"	2
2-4	7014-003	Lockwasher, 3/8"	2
2-5	7430-285	Elbow, 90° 1-5/16" x 1" - with O-Ring	1
	45259-508-17	O-Ring, 1-5/16" (For above fitting)	As Req
2-6	45720-775-28	Reducer, 1" to 1/2" SAE	1
2-7	7430-314	Elbow, 3/4" SAE To 1/2" JIC	1
	45259-508-14	O-Ring, 3/4" (For above fitting)	As Req
2-8	7430-252	Connector, #6 O-Ring X 3/8" JIC	1
2-9	7465-014	Washer, 3/8" Flat Hardened	2
2-11	45080-002-42	Pump, Traction - <i>See Form #19441, This Section</i>	2
2-12	7383-070	Capscrew, 1/2" NC x 1-1/2"	8

- Continued on next page -

**Return to Table
of Contents Page**



Pump Drive

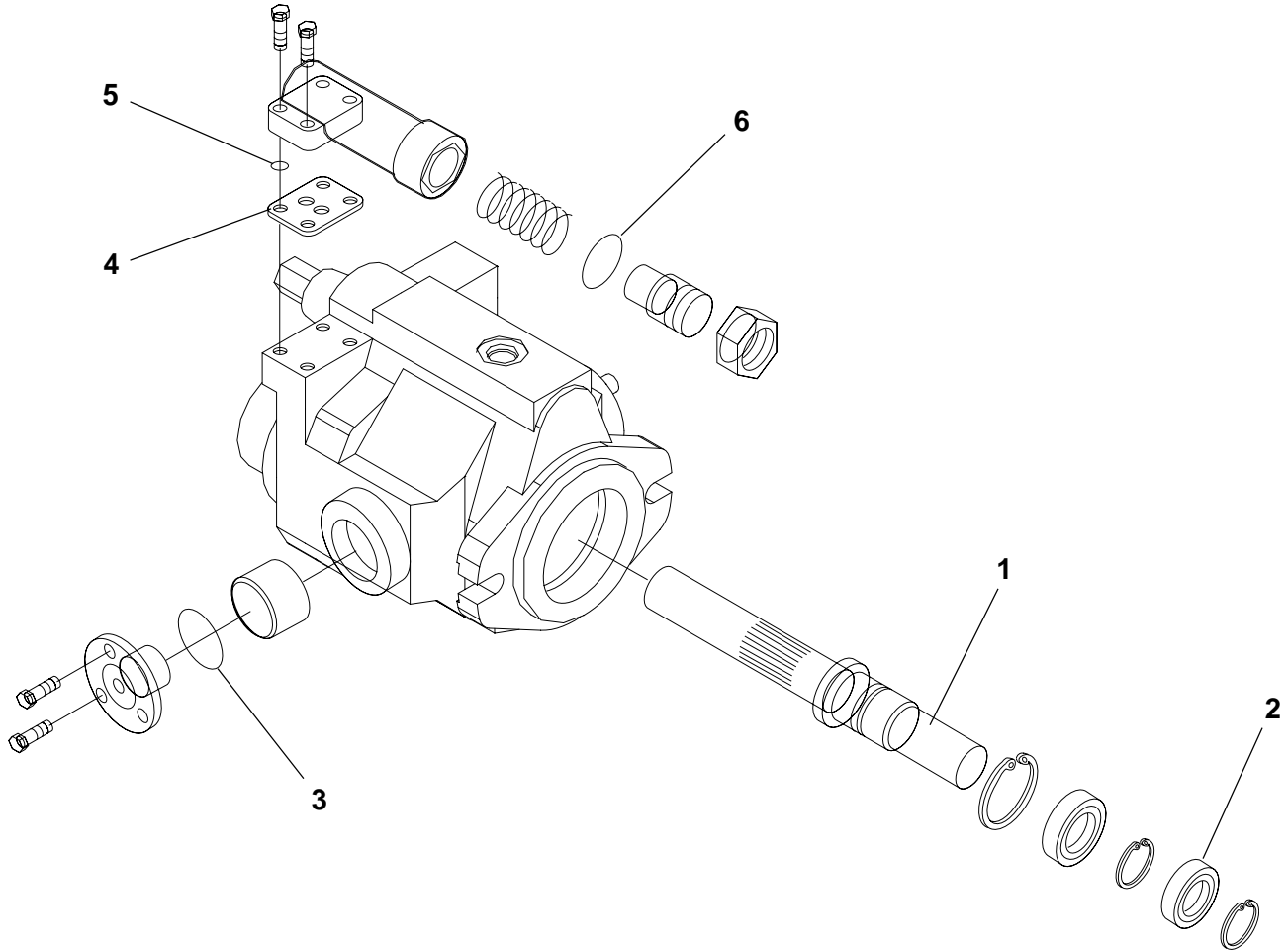
Parts List No. 5032DUF

- Continued from previous page -

Ref. No.	Part Number	Description	Quantity
2-13	7465-001	Wahere, 1/2" Flat Hardened	8
2-14	7014-005	Washer, 1/2" Lock	8
2-17	45080-003-58	Pump, Hydraulic - Dual Chamber	1
2-18	45890-303-68	Capscrew, M12 x 70	2
2-19	45890-301-11	Washer, M12 x 18 x 2.5	2
2-20	7430-285	Elbow, #16 SAE #16 JIC	1
2-21	7430-279	Elbow, #10 SAE #8 JIC	1
2-22	7430-447	Fitting, #10 O-Ring X 5/8 JIC	1
2-23	45240-125-65	O-Ring, 3.739" ID x .070"	1
2-24	7430-280	Elbow, 7/8" SAE 5/8" JIC	1
2-25	45252-009-19	Valve	1
2-26	45080-527-06	Fitting, Test 1/4" NPT	1
2-27	45720-770-60	Plug, 1/4" Pipe	1
2-28	7430-256	Connector, #10 SAE #8 JIC	1
2-29	7430-269	Connector, 1-5/16" SAE	1
2-30	45720-775-64	Reducer	1
2-32	45080-002-62	Pump, 2.8 CID Hydraulic	1
2-33	45240-125-65	O-Ring 3.739" ID X .070" WA	2
2-34	45080-002-43	Pump, Conveyor - <i>See Form #22238, This Section</i>	1
2-35	7025-023	Capscrew, Sch 1/2 NC X 1-3/4	4
2-36	7014-005	Lockwasher, 1/2"	4
2-37	7430-267	Connector, #16 SAE #16 JIC	1
2-38	7430-282	Elbow, #12 SAE #12 JIC	3
2-39	7430-406	Elbow, 1" Swivel	1
2-40	7430-405	Elbow, 1/2" Swivel	4
2-41	45720-775-34	Reducer, 5/8" SAE To 1/2"	4
2-42	7430-285	Elbow, #16 SAE #16 JIC	1
2-43	7430-264	Connector, 1-5/16" SAE 3/4"	4
2-44	7430-314	Elbow, 3/4" SAE 1/2" JIC	4
2-45	45080-527-04	Fitting, SAE #4 Port	6
2-46	45720-775-54	Reducer, SAE #6 To SAE #4	6
2-48	9704-322-43	Mount, Lock Valve	1
2-49	45890-300-65	Capscrew, M12 X 30 X1.75	2
2-50	45890-301-11	Washer, M12 X 18 X 2.5	2
2-51	7465-001	Washer, 1/2" Flat Hardened	2
3-1	45905-017-07	Mount, Engine	2
3-2	8049-A06	Washer, 1/4" Thick	2
3-3	7383-106	Capscrew, 5/8" NC X 3"	2
3-4	45890-102-29	Locknut, 5/8" NC	2
3-5	7383-039	Capscrew, 3/8" NC X 1-1/4"	8
3-6	7014-003	Lockwasher, 3/8"	8
3-7	7012-025	Hex Nut, 3/8" NC	4
3-8	7014-018	Washer, 3/8"	8
3-9	7465-014	Washer, 3/8" Flat Hardened	4
3-10	7438-009	Washer, 3/8" SHPK LK	4
3-11	7014-022	Washer, 5/8"	2

**Return to Table
of Contents Page**

Auxiliary Pump

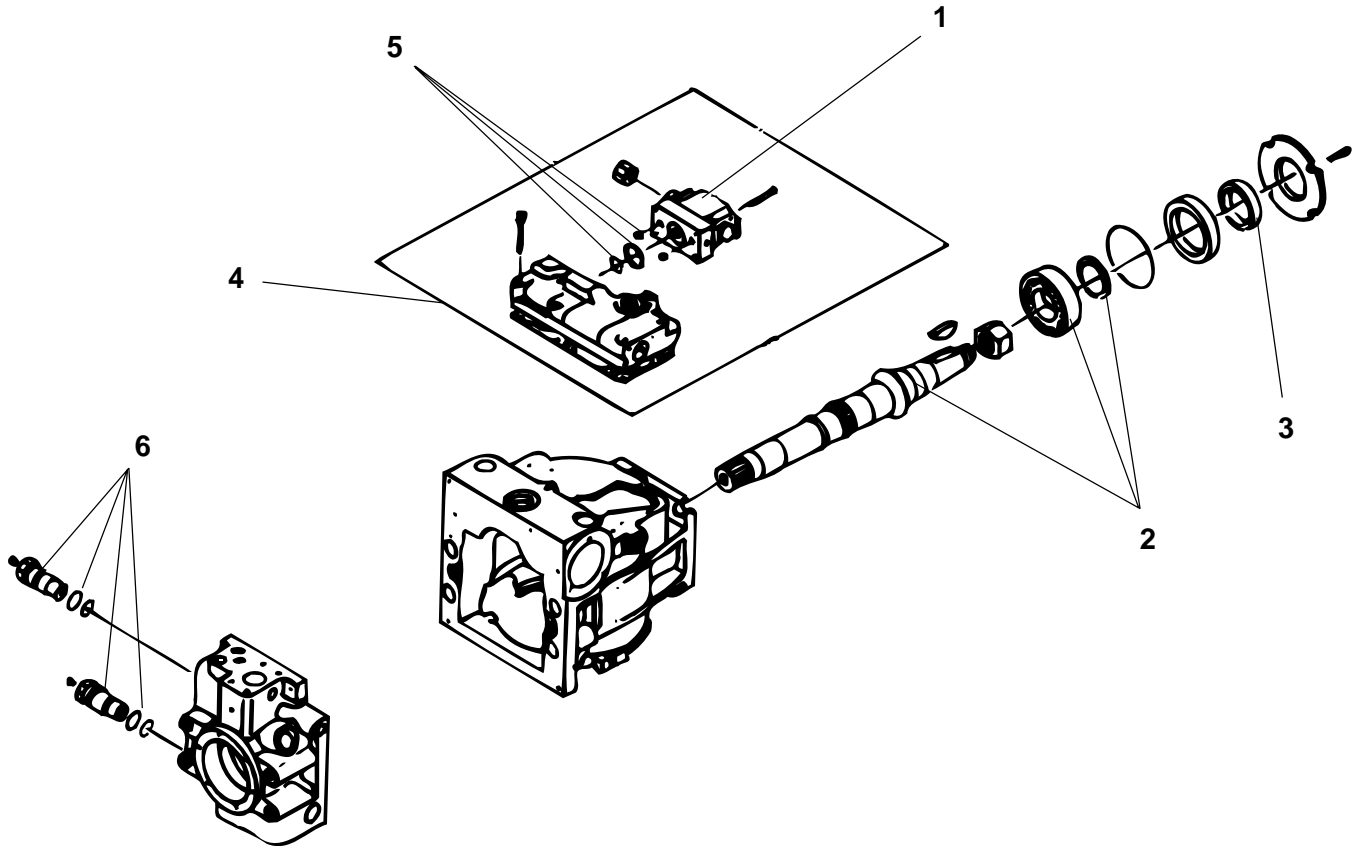


Ref. No.	Part Number	Description	Quantity
	45080-002-10	Auxiliary Pump - Complete	
1	45080-002-24-03	Spline, 9-Tooth	1
2	45080-002-10-03	Seal, Shaft	1
3	Consult Factory	O-Ring	2
	Consult Factory	Control Kit - PC (3000 PSI)	
4	45080-002-10-02	Gasket	1
5	45080-002-10-01	O-Ring	1
6	Consult Factory	O-Ring	1
7	45080-002-10-04	Seal Kit - Complete	1

NOTE: Only replacement parts identified. For further parts breakdown please consult factory.

**Return to Table
of Contents Page**

Hydraulic Pump

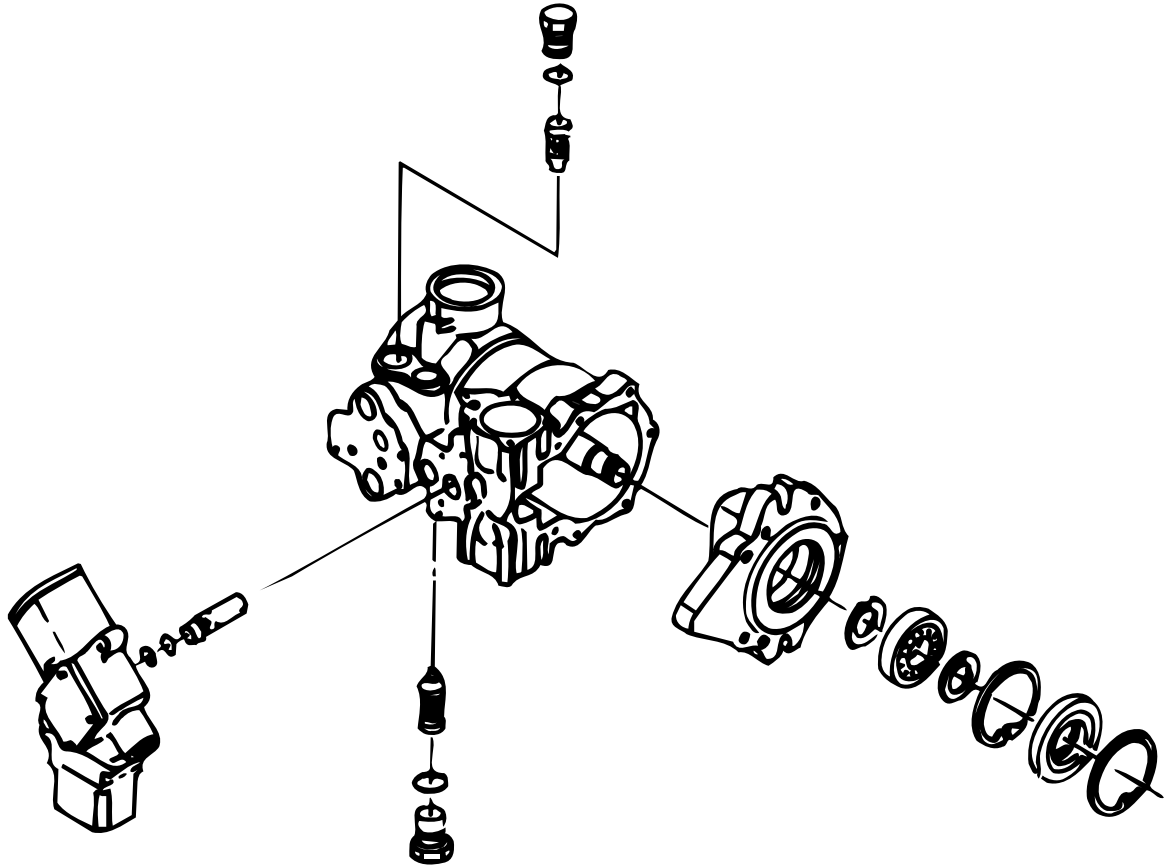


Ref. No.	Part Number	Description	Quantity
	45080-002-42	Pump, Traction	1
1	45080-002-34-02	Pressure Control Pilot Valve (EDC)	1
2	45080-002-34-03	Shaft w/Bearing	1
3	45080-002-34-04	Shaft Seal	1
4	45080-002-34-06	EDC Control w/Gasket	1
5	45080-002-34-07	O-Ring Kit for Pilot Valve	1
6	45080-002-34-08	Multi Function Valve Cartridge	1

NOTE: Only Replacement Parts Shown. For Further Part Breakdowns Please Consult Factory.

**Return to Table
of Contents Page**

Hydraulic Pump



Ref. No.	Part Number	Description	Quantity
	45080-002-62	Pump, Conveyor	1
1	45080-002-26-02	Shaft Seal	1
2	45080-002-43-02	Relief Valve Cartridge	1
3	45080-002-43-03	EDC Control	1
4	45080-002-43-01	Complete Seal Kit (<i>Not Shown</i>)	1
5	45080-002-39-03	Pressure Control Pilot Valve	1
6	Consult Factory	Seal Kit for Auxiliary Mount (<i>Not Shown</i>)	1

NOTE: Only Replacement Parts Shown, for Further Parts Breakdowns Please Consult Factory.

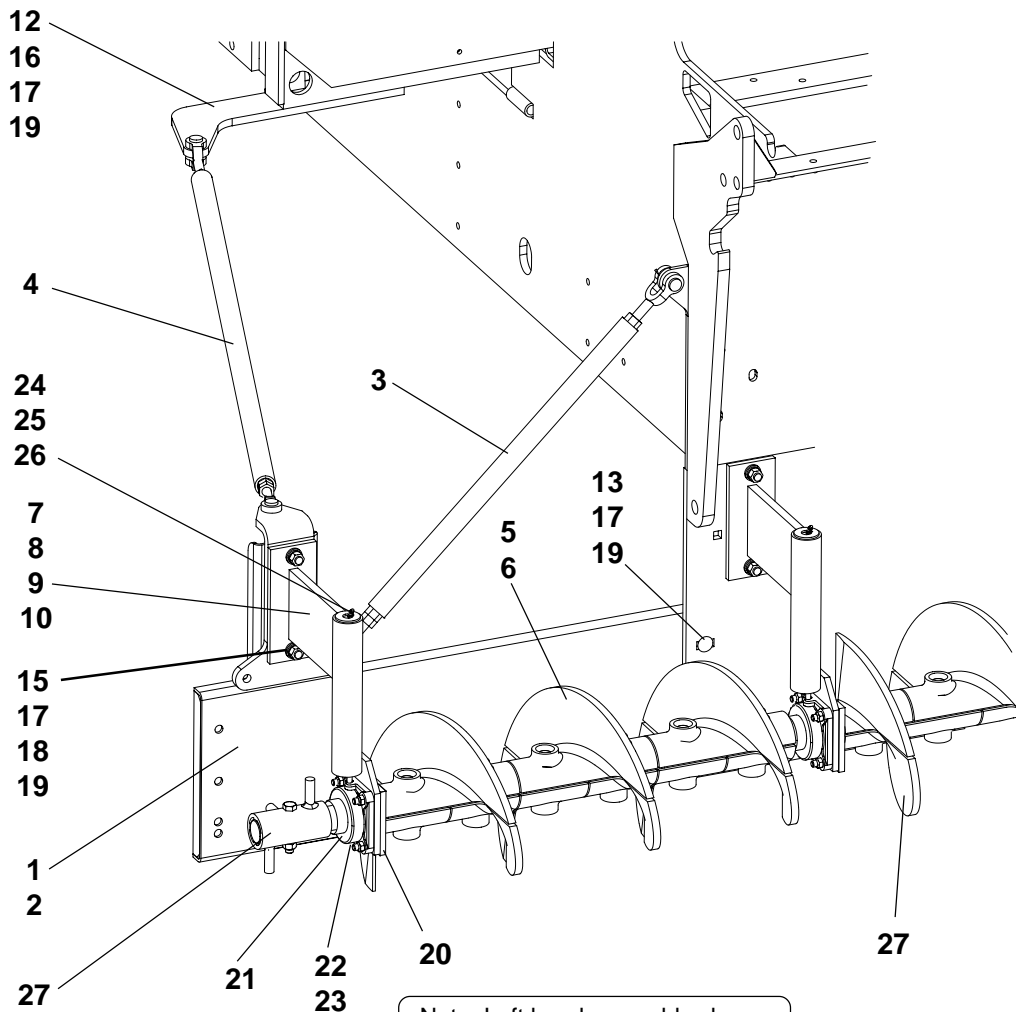
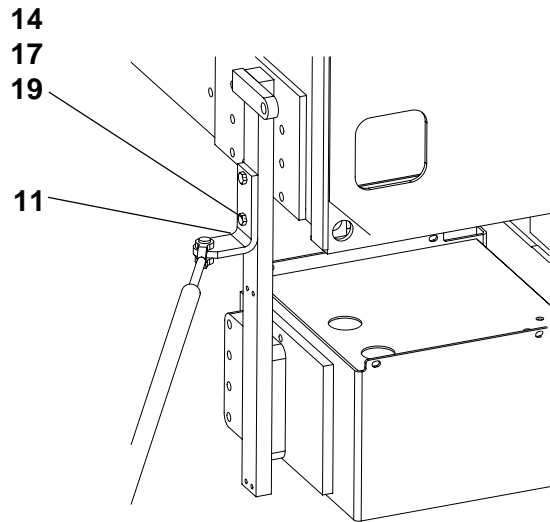


Sound Insulation Kit - 452/552 Pavers
Parts List No 5032GJA

Ref. No.	Part Number	Description	Quantity
1	9704-506-07	Kit, Acoustic Material - Complete	1

NOTE: No illustration is associated with this parts list.
Consult Product Support department for additional information.

3' Auger Extensions



Note: Left hand assembly shown.
Right hand equal & opposite.



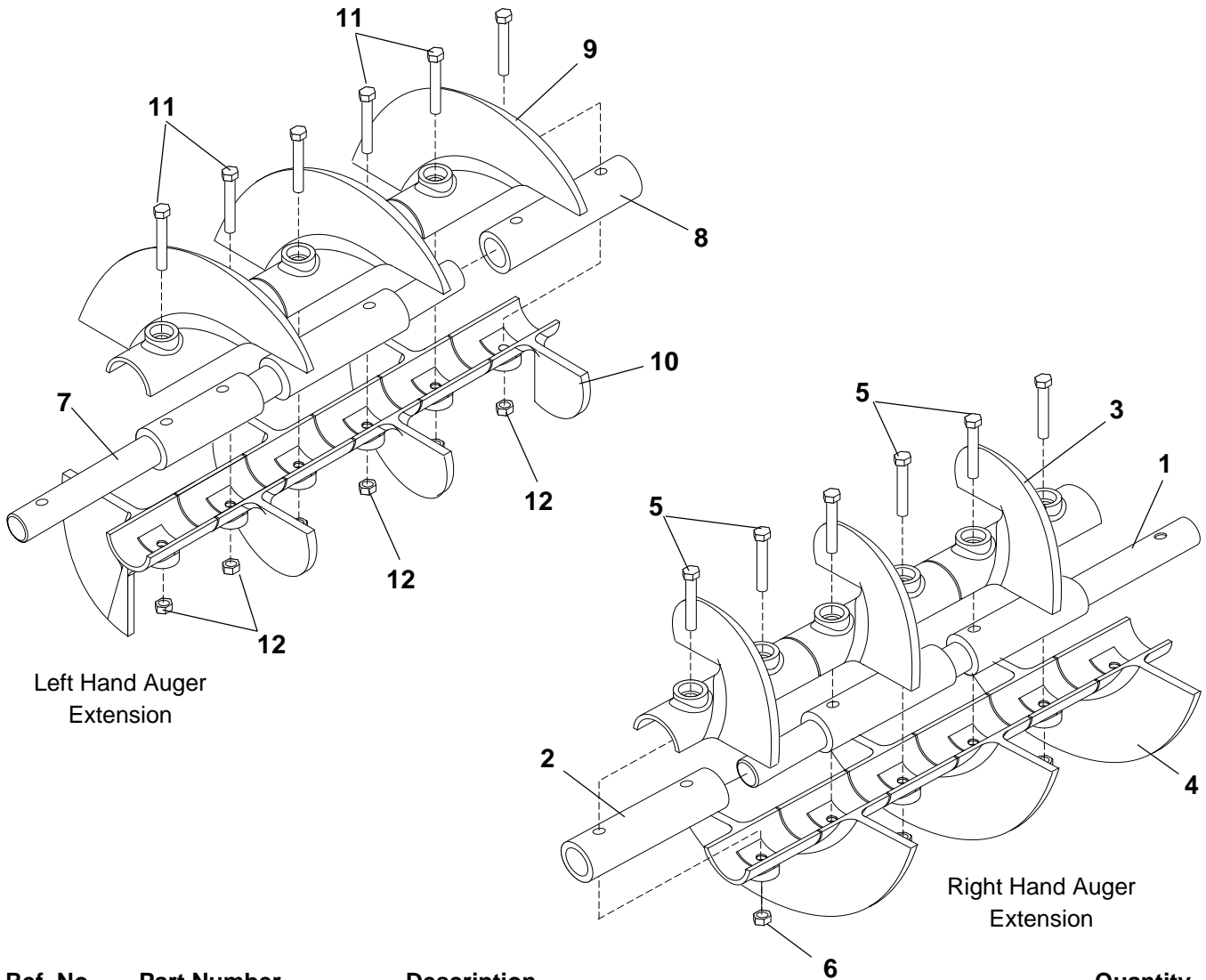
3' Auger Extensions

Ref. No.	Part Number	Description	Quantity
1	9704-704-41	Frame, Support - <i>Right Hand</i>	1
2	9704-704-42	Frame, Support - <i>Left Hand</i>	1
3	9704-704-50	Turnbuckle, Vertical Bearing Support	2
4	9704-704-51	Turnbuckle, Horizontal Bearing Support	2
5	9704-254-85	3' Auger Extension - <i>See Form # 21804, This Section</i>	1
6	9704-254-86	3' Auger Extension - <i>See Form # 21804, This Section</i>	1
7	*9704-251-25	Hanger, Bearing - <i>Left Hand</i>	1
8	*9704-251-26	Hanger, Bearing - <i>Right Hand</i>	1
9	Consult Factory	Hanger, Bearing - <i>Left Hand</i>	1
10	Consult Factory	Hanger, Bearing - <i>Right Hand</i>	1
	9704-704-66	Hardware Package - Complete	As Req
11	9704-704-48	Bracket, Auger Extension - <i>For rubber tire pavers</i>	2
12	9704-704-49	Bracket, Auger Extension - <i>For track pavers</i>	2
13	7072-197	Carriage Bolt, 5/8" NC x 1-3/4"	6
14	7383-106	Capscrew, 5/8" NC x 3"	4
15	7383-104	Capscrew, 5/8" NC x 2-1/2"	4
16	7383-102	Capscrew, 5/8" NC x 2"	4
17	7014-007	Washer, 5/8" Lock	14
18	7465-002	Washer, 5/8" Hardened Flat	4
19	7012-029	Hex Nut, 5/8" NC	14
20	9704-251-74	Plate, Seal Auger Bearing	2
21	45134-010-40	Flange Bearing, 1-15/16" Bore	2
22	7389-050	Capscrew, 1/2" NC x 2-1/2" Sockethead	8
23	45890-102-28	Locknut, 1/2" NC	8
24	40500-014-00-01	Pipe, 1/8" x 1/4"	2
25	7084-001	Coupling, 1/8"	2
26	7051-002	Fitting, Grease 1/8"	2
27	Reference	<i>See Screw Conveyor Mounting, Section 4</i>	

*NOTE: These items are used on 411, 400 & 500 series pavers.

**NOTE: These items are used on 351 & 361 series pavers.

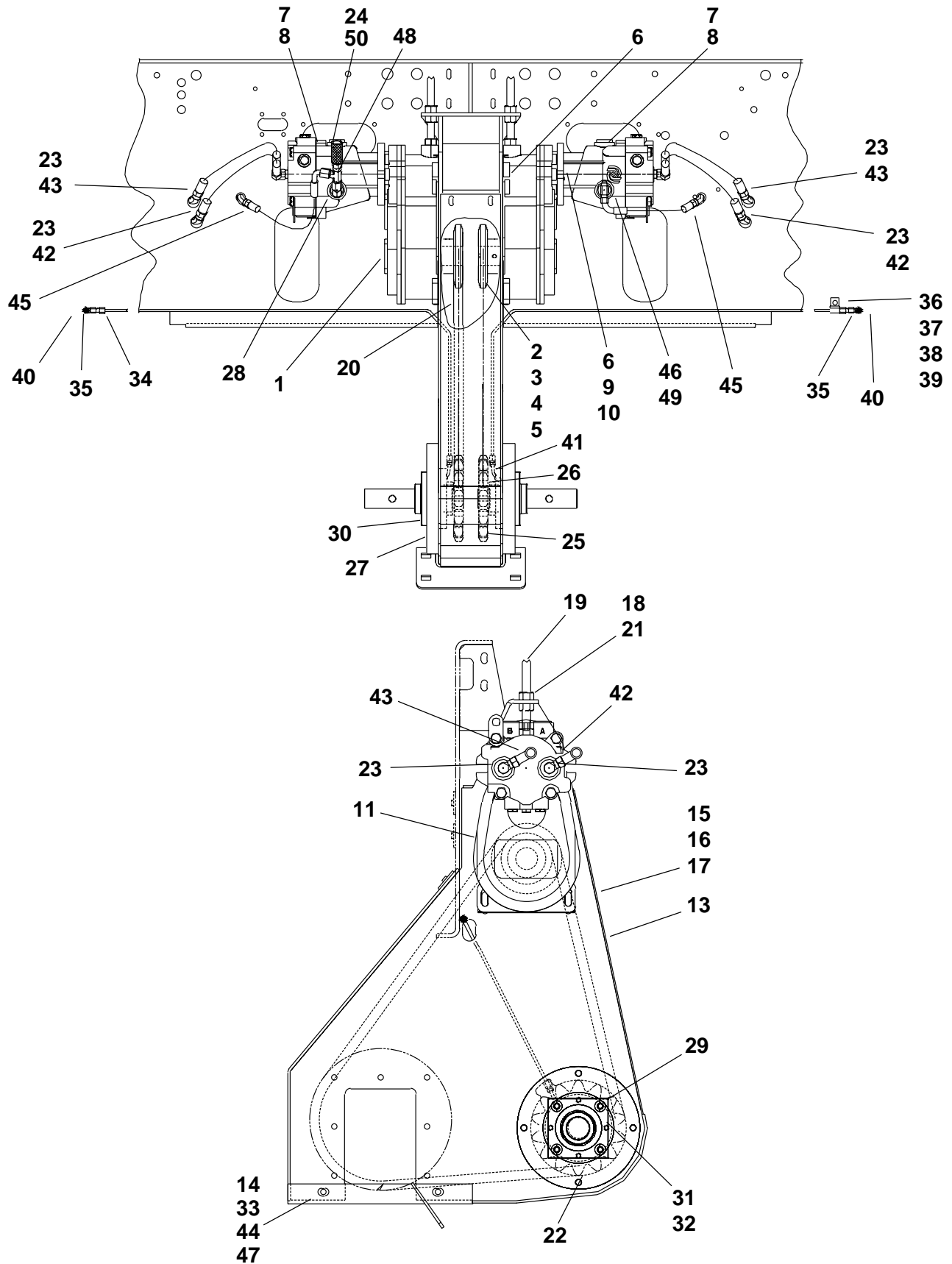
3' Auger Extension Kit



Ref. No.	Part Number	Description	Quantity
	9704-254-86	Auger Extension, Right Hand - Complete	
1	9704-251-82	Shaft, 3' Auger Extension	1
2	9704-251-79	Tube, 1' Auger Extension	3
3	9704-251-63	Screw, 16" Right Hand - Half Section	3
4	9704-251-65	Screw, 16" Right Hand - Quarter Section	6
5	7383-112	Capscrew, 5/8" NC x 4-1/2"	6
6	45890-102-29	Locknut, 5/8" NC	6
	9704-254-85	Auger Extension, Left Hand - Complete	
7	9704-251-82	Shaft, 3' Auger Extension	1
8	9704-251-79	Tube, 1' Auger Extension	3
9	9704-251-64	Screw, 16" Left Hand - Half Section	3
10	9704-251-66	Screw, 16" Left Hand - Quarter Section	6
11	7383-112	Capscrew, 5/8" NC x 4-1/2"	6
12	45890-102-29	Locknut, 5/8" NC	6

NOTE: Quantities shown for these kits are for one (1) Assembly only.

Conveyor & Auger Drive



Conveyor & Auger Drive

Parts List No. 5032DTQ

Ref. No.	Part Number	Description	Quantity
1	45635-500-19	Reducer, Gear - <i>See Form #22792, This Section</i>	2
2	1389A10A	Sprocket, 10T-140	2
3	40803-001-88	Key, 1/2" Square x 1-7/8"	2
4	7131-076	Setscrew, 3/8" NC x 1/2"	2
5	7131-078	Setscrew, 3/8" NC x 3/4"	2
6	{ 7072-103	Carriage Bolt, 1/2" NC x 2"	8
	{ 7465-001	Washer, 1/2" Hardened Flat	12
	{ 45890-102-28	Locknut, 1/2" NC	8
7	45080-006-36	Motor, Hydraulic - Includes Speed Sensor	2
	Consult Factory	Seal Kit (For above Motor)	As Req
8	9704-154-22	Gasket, SAE	2
9	7383-073	Capscrew, 1/2" NC x 2-1/4"	4
10	45890-102-28	Locknut, 1/2" NC	4
11	9704-155-60	Shield, Reducer	2
12	Not used	Item number not used	-
13	9704-154-42	Cover, Front	1
14	9704-155-91	Cover, Bottom	1
15	7383-036	Capscrew, 3/8" NC x 3/4"	2
16	7014-018	Washer, 3/8"	2
17	7014-003	Lockwasher, 3/8"	2
18	7017-030	Hex Nut, 3/4" NC Jam	6
19	7190-023	Adjusting Bolt, 3/4" NC x 7-1/2"	2
20	9704-155-30	Chain, # 140	2
21	7014-023	Washer, 3/4"	2
22	{ 7383-069	Capscrew, SCH1/2" NC x 1-1/2"	4
	{ 7014-020	Washer, 1/2"	4
23	7430-282	#12 SAE #12 JIC	4
24	7430-413	Connector, 1/2" MPT x 1/2" JIC	1
25	9704-251-77	Shaft, Auger Drive	2
26	45134-010-41	Flange Bearing, 1-15/16" - Complete	2
27	9704-253-51	Plate, Inner Bearing Adapter	2
28	7430-315	7/8" SAE x 1/2" JIC	1
29	7389-045	Capscrew, 1/2" NC x 1-1/4" - Sockethead	8
30	9704-251-74	Plate, Auger Seal	2
31	7383-056	Capscrew, 7/16" NC x 1-3/4"	8
32	7014-004	Lockwasher, 7/16"	8
33	7383-068	Capscrew, 1/2" NC x 1"	4
34	9704-155-85	Tube, Grease Long	2
35	7430-008	Connector, 1/8" x 1/4"	2
36	46185-001-13	Hose Clamp, 1/4"	2
37	7383-038	Capscrew, 3/8" NC x 1"	2
38	7014-003	Lockwasher, 3/8"	2
39	7012-025	Hex Nut, 3/8" NC	2
40	7051-004	Fitting, Grease 90° 1/8"	2

- Continued -

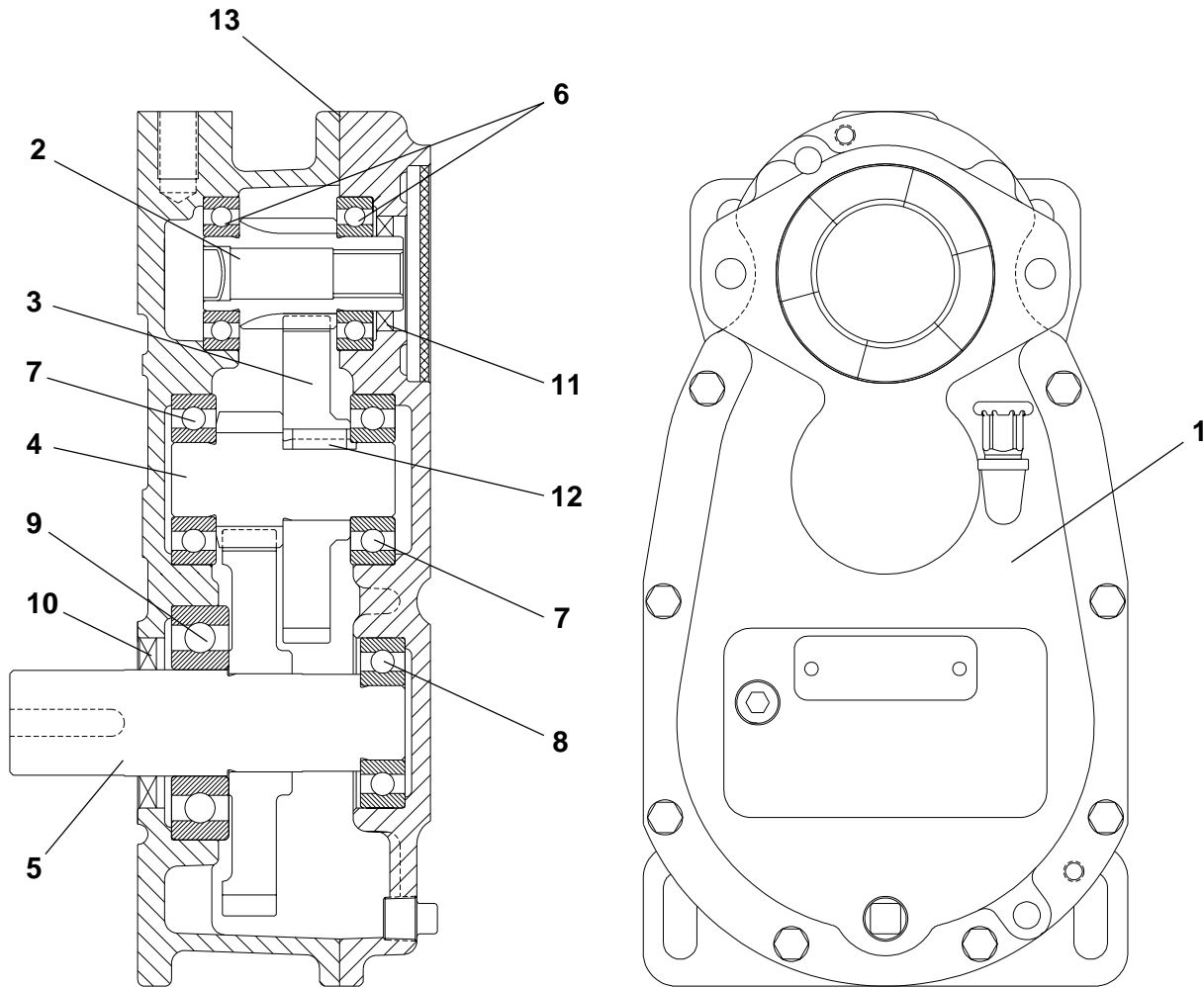


Conveyor & Auger Drive

Parts List No. 5032DTQ

Ref. No.	Part Number	Description	Quantity
41	9704-155-95	Tube Assembly, Grease Line	1
42	7683-021-35	Hose Assembly, 3/4" ID x 21"	2
43	7683-019-38	Hose Assembly, 3/4" ID x 19"	2
44	7014-020	Washer, 1/2"	4
45	7652-018-34	Hose Assembly, Case Drain	2
46	7430-256	Connector, #10 SAE #8 JIC	1
47	7014-005	Washer, 1/2" Lock	4
48	7430-345	Tee, 1/2" JIC Swivel Nut	1
49	7430-356	Tee, 1/2" JIC Swivel Nut	1
50	45191-504-01	Coupler, 1/2"	1

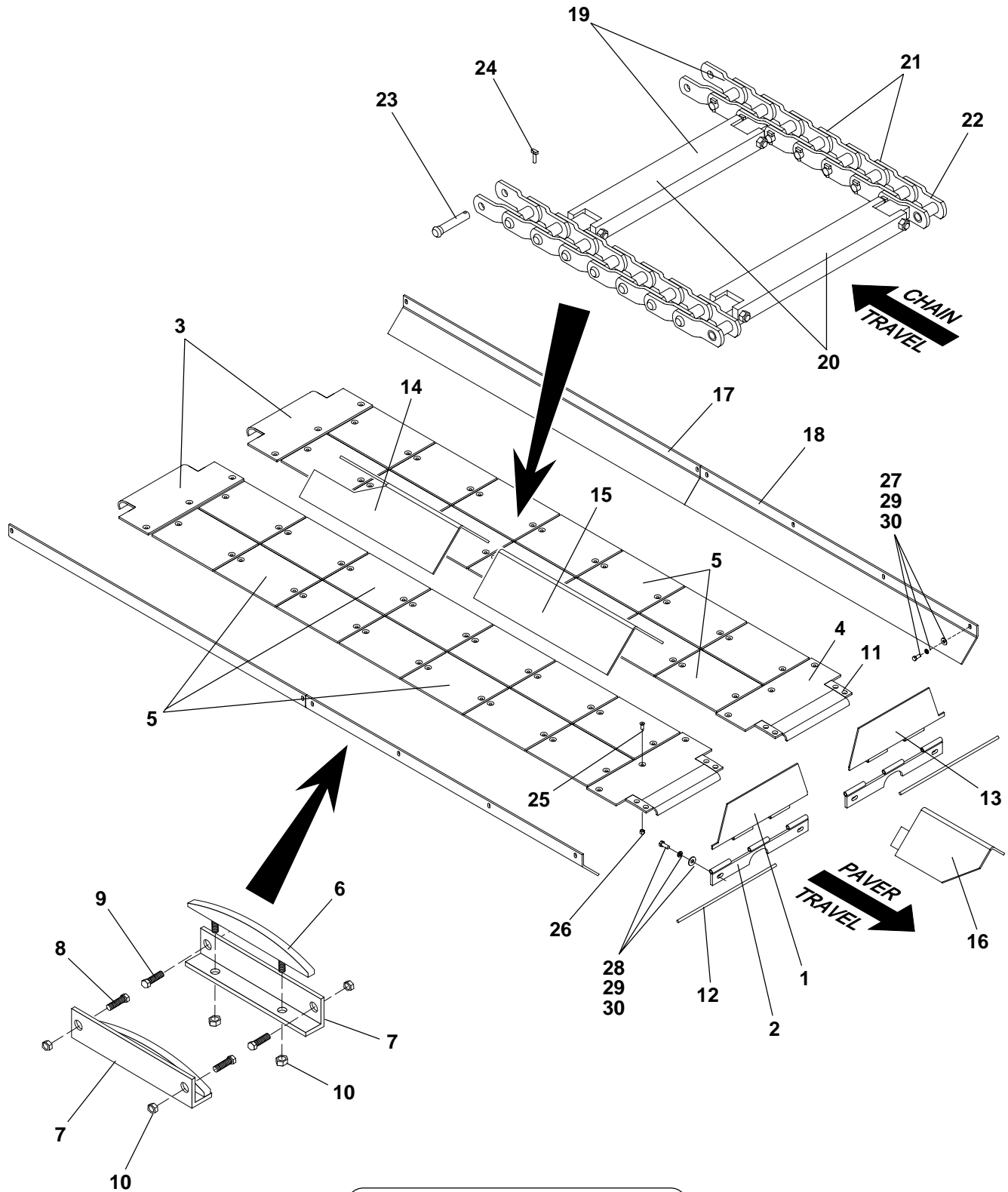
Speed Reducer



Ref. No.	Part Number	Description	Quantity
1	45635-500-19	Speed Reducer - Complete	1
2	45635-500-07-01	Input Pinion - 13T	1
3	45635-500-07-02	Intermediate Gear - 44T	1
4	45635-500-07-03	Intermediate Pinion - 12T	1
5	45635-500-19-01	Output Shaft w/ Gear - Integral Shaft & Gear	1
6	45635-500-07-06	Bearing - NTN 6207	2
7	45635-500-07-07	Bearing - NTN 6307	2
8	45635-500-08-01	Bearing - SKF 307M	1
9	45635-500-08-02	Bearing - SKF 21310E	1
10	45635-500-07-09	Seal, Oil	1
11	45635-500-07-10	Seal, Oil	1
12	45635-500-07-11	Key, 3/8" x 1"	1
13	45635-500-07-15	Gasket, Reducer	1

Note: Housings and certain other items may be non-replaceable. Please consult factory.

Liners & Chains - Slat Conveyor



NOTE: Detail shows slats and chains as they would appear on top side of liners.



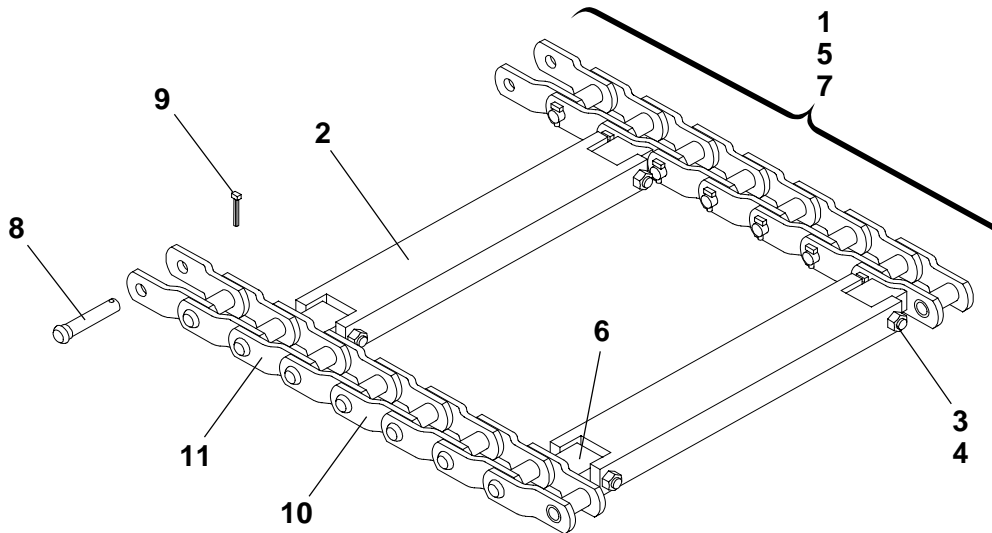
Liners & Chains - Slat Conveyor

Parts List No. 5032EBU

Ref. No.	Part Number	Description	Quantity
1	9704-206-26	Cover, Front Slat Shaft Right Hand	1
2	9704-204-36	Hinge, Stationary Base	2
3	9704-206-07	Plate, Curved Liner	2
	9704-206-48	Kit, Conveyor Liner - Complete	1
4	9704-201-65-01	Liner, Curved End	2
5	9704-201-65-03	Liner, Flat	32
6	9704-206-24	Skate, Slat Chain	8
7	9704-204-58	Angle, Skate Mounting	8
8	7445-001	Plow Bolt, 1/2" x 1-3/4" - Outer	8
9	7445-010	Plow Bolt, 1/2" x 1-1/4" - Inner	8
10	45890-102-28	Locknut, 1/2"	32
11	9704-204-37	Flat, Liner Ends	4
12	41003-025	Shaft, Hinge	2
13	9704-206-26	Cover, Front Slat Shaft - Left Hand	1
14	9704-204-38	Skirt, Center Rear	1
15	9704-204-39	Skirt, Center Front	1
16	9704-205-39	Skirt, Center Front Hinged	1
17	9704-206-21	Skirt, Outer Rear	2
18	9704-204-42	Skirt, Outer Front	2
19	9704-206-36	Complete Chain Assembly - See Slat Conveyor Chain	-
20	4430-034-01	Forged Slat - See Slat Conveyor Chain	-
21	Reference	Slat Chain - See Slat Conveyor Chain	-
22	4430-043-01	Attachment Block - See Slat Conveyor Chain	-
23	50005-508-03	Link Pin - See Slat Conveyor Chain	-
24	50005-508-04	Cotter Pin - See Slat Conveyor Chain	-
25	7389-045	Capscrew, 1/2" NC x 1-1/4" Flat Head	84
26	45890-102-28	Locknut, 1/2" NC Self Lock	84
27	7383-099	Capscrew, 5/8" NC x 1-1/4"	12
28	7383-100	Capscrew, 5/8" NC x 1-1/2"	4
29	7014-022	Washer, 5/8" Flat	16
30	7014-007	Lockwasher, 5/8"	16

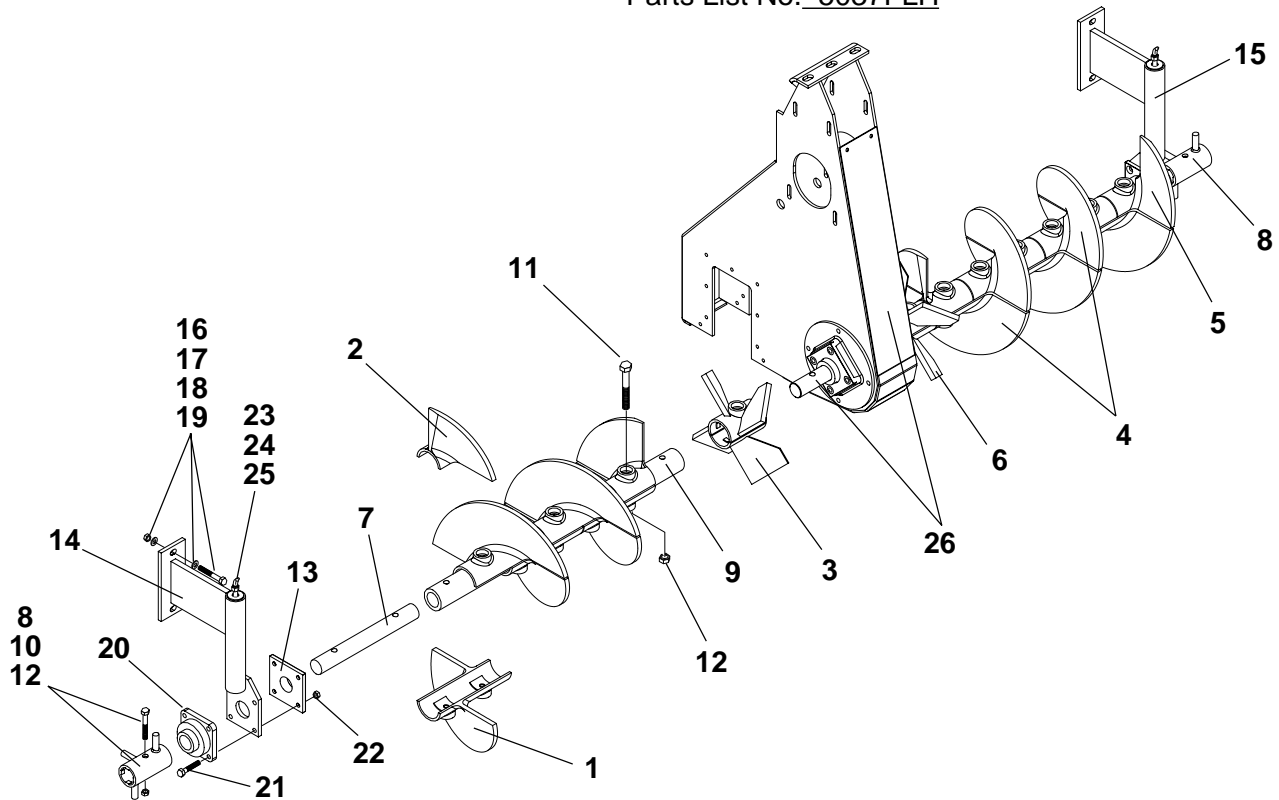
The quantity of item 5 varies depending on paver model. Please disregard the associated illustration and refer to the parts listing for correct quantity of liners.

Slat Conveyor Chain - 400 & 500 Series



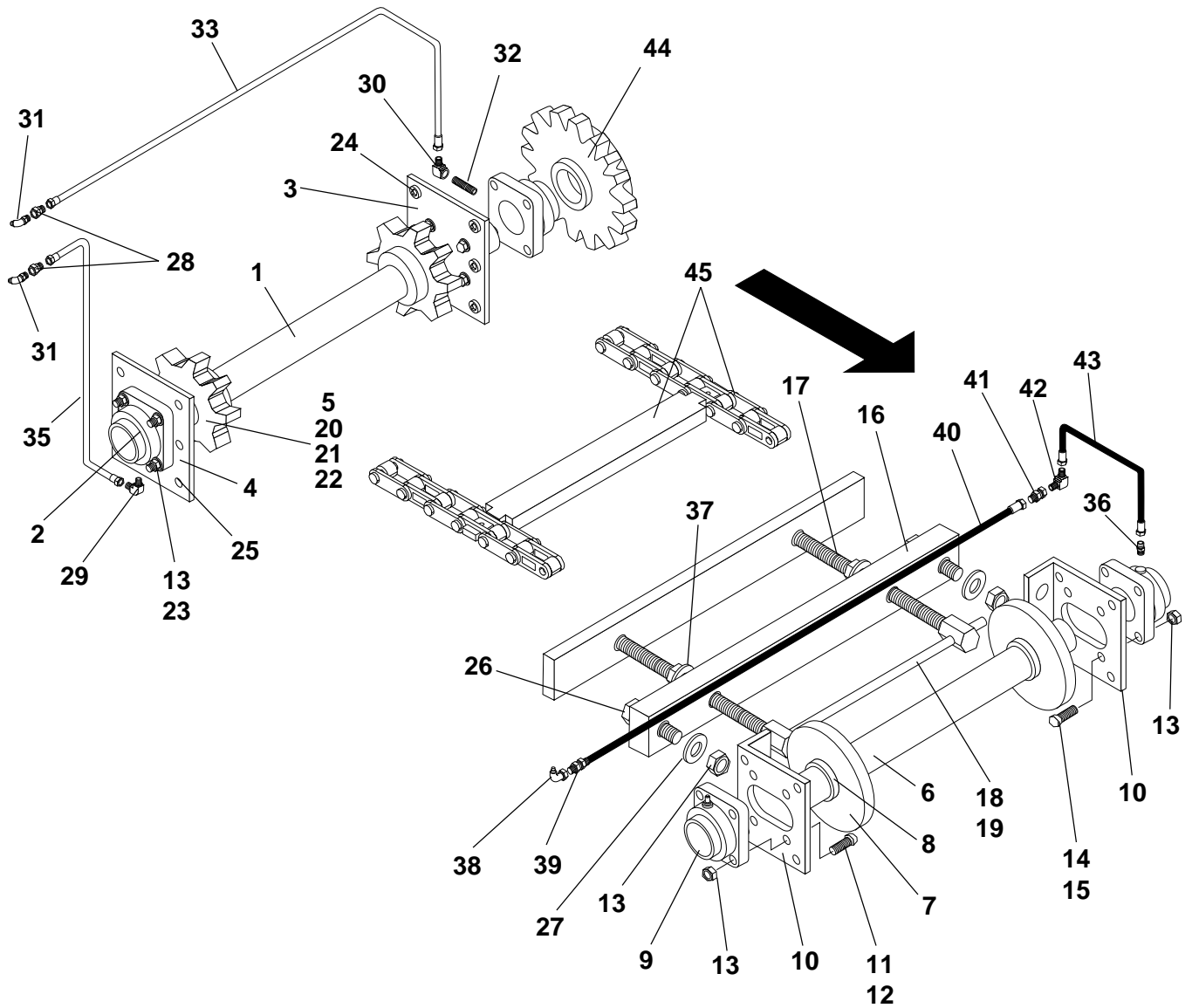
Ref No	Part Number	Description	Quantity
	5032EBT	Slat Conveyor Components - 400 Series Pavers	-
1	9704-206-36	Chain Assembly - Complete With Slats	1
2	4430-034-01	Slat, Forged	20
3	7383-078	Capscrew, 1/2" x 3-1/2"	40
4	45890-102-19	Locknut, 1/2"	40
5	9704-206-44	Chain Assembly - Complete with Attachments	1
6	4430-043-01	Block, Slat Attachment (Welded)	20
7	50005-509-02	Slat Chain, 99 Pitch - Riveted Chain	2
8	50005-508-03	Pin (1 Per Chain Strand)	1
9	50005-508-04	Cotter Pin (1 Per Chain Strand)	1
	5032EBU	Slat Conveyor Components - 500 Series Pavers	-
1	9704-206-37	Chain Assembly - Complete With Slats	1
2	4430-034-01	Slat, Forged	22
3	7383-078	Capscrew, 1/2" x 3-1/2"	44
4	45890-102-19	Locknut, 1/2"	44
5	9704-206-45	Chain Assembly - Complete with Attachments	1
6	4430-043-01	Block, Slat Attachment (Welded)	22
7	50005-509-01	Slat Chain, 111 Pitch - Riveted Chain	2
8	50005-508-03	Pin (1 Per Chain Strand)	1
9	50005-508-04	Cotter Pin (1 Per Chain Strand)	1
	Reference Only	Repair Parts Only - All 400 and 500 Series Pavers	-
10	50005-509-03	Chain Link, Standard	As Req
	50005-508-03	Pin (Included with above Chain Link)	As Req
	50005-508-04	Cotter Pin (Included with above Chain Link)	As Req
11	9704-206-49	Chain Link, with Attachment Block	As Req
	50005-508-03	Pin (Included with above Chain Link)	As Req
	50005-508-04	Cotter Pin (Included with above Chain Link)	As Req

Screw Conveyor Mounting
Parts List No. 5037FLH



Ref. No.	Part Number	Description	Quantity
	9704-255-62	Auger Kit - Complete	-
1	9704-251-64	Screw, 16" Left Half Section	5
2	9704-251-66	Screw, 16" Left Quarter Section	2
3	9704-251-97	Paddle, Left Reversing	2
4	9704-251-63	Screw, 16" Right Half Section	5
5	9704-251-65	Screw, 16" Right Quarter Section	2
6	9704-251-98	Paddle, Right Reversing	2
7	9700-040	Shaft, Screw Conveyor	2
8	9704-251-62	Agitator	2
9	9704-251-73	Tube, Auger Shaft	2
10	7383-109	Capscrew, 5/8" NC x 3-3/4"	2
11	7383-112	Capscrew, 5/8" NC x 4-1/2"	14
12	45890-102-29	Locknut, 5/8" NC	16
13	9704-251-74	Plate, Seal - Auger Bearing	2
14	9704-251-25	Hanger, Bearing - Left Hand	1
15	9704-251-26	Hanger, Bearing - Right Hand	1
16	7072-202	Carriage Bolt, 5/8" NC x 2-1/4"	4
17	7465-002	Washer, 5/8" Hardened Flat	4
18	7014-007	Lockwasher, 5/8"	4
19	7012-029	Hex Nut, 5/8" NC	4
20	45134-010-40	Flange Bearing, 1-15/16" Bore	2
21	7389-050	Capscrew, 1/2" NC x 2-1/2" Sockethead	8
22	45890-102-28	Locknut, 1/2" NC	8
23	40500-015-00-01	Pipe, 1/8" x 15"	2
24	7084-001	Coupling, 1/8"	2
25	7051-002	Grease Fitting, 1/8" 45°	2
26	Reference	See Conveyor & Auger Drive, Section 6	-

Slat Conveyor



Note: Right hand assembly shown. Left hand typical.

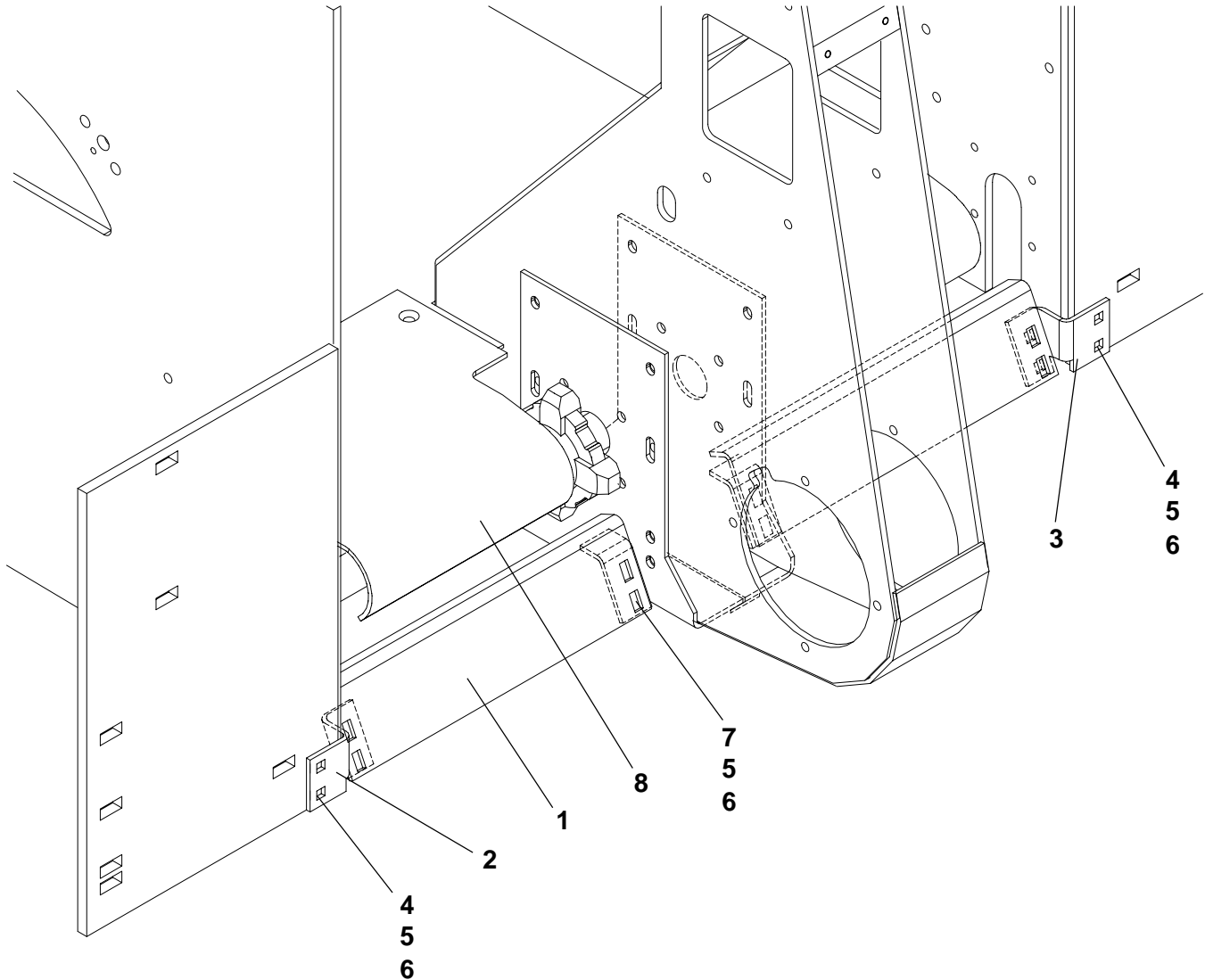


Slat Conveyor

Parts List No. 5032ECR

Ref. No.	Part Number	Description	Quantity
1	9704-251-48	Shaft, Conveyor Drive	2
2	F0203FGA	Flange Bearing, 2-3/16" - <i>See Form #1001, This Section</i>	4
3	9704-251-93	Plate, Bearing Mounting - Inside	2
4	9704-251-27	Plate, Bearing Mounting - Outside	2
5	9704-206-43	Sprocket, Conveyor Drive	4
6	9704-155-34	Shaft, Takeup	2
7	9704-204-46	Idler, Takeup	4
8	7396-016	Bushing, "SD" 1-15/16"	4
9	F0115FGA	Flange Bearing, 1-15/16" - <i>See Form #1001, This Section</i>	4
10	9704-204-80	Flat, Bearing Slide	4
11	9704-155-39	Spacer, 1/2" Pipe x 3/4"	8
12	7445-013	Plow Bolt, 1/2" NC x 2-1/2"	8
13	45890-102-28	Locknut, 1/2" NC	36
14	9704-155-64	Spacer, 1/2" Pipe x 1/2"	8
15	7445-003	Plow Bolt, 1/2" NC x 2-1/4"	8
16	9704-204-81	Base, Moving Slide	2
17	9704-155-61	Adjusting Bolt, Slide	4
18	9704-155-40	Handle, Tighten/Lock	2
19	7011-017	Cotter Pin, 1/8" x 1"	4
20	40803-003	Key, Drive Sprocket - 1/2" x 3"	4
21	7131-098	Setscrew, 1/2" x 3/8"	4
22	7131-101	Setscrew, 1/2" x 5/8"	4
23	7389-047	Capscrew, 1/2" NC x 1-3/4" - Sockethead	16
24	7389-043	Capscrew, 1/2" NC x 3/4" - Sockethead	14
25	7389-086	Capscrew, 5/8" NC x 1" - Sockethead	14
26	7383-075	Capscrew, 1/2" NC x 2-3/4"	4
27	7014-020	Washer, 1/2"	4
28	7430-008	Connector, 1/8" x 1/4"	4
29	7430-016	Elbow, 1/8" x 1/4"	2
30	7430-084	Elbow, 90° 1/8" x 1/4"	2
31	7051-002	Grease Fitting, 45° 1/8"	4
32	40500-004-00-01	Pipe, Grease	2
33	9704-155-85	Tube Assembly, Grease - Long	2
34	9704-155-55	Tube Assembly, Grease - Left Outer (Not Shown)	1
35	9704-155-56	Tube Assembly, Grease - Right Outer (Shown)	1
36	7430-001	Connector, 1/8" x 1/4"	2
37	7097-018	Washer, 1-1/8" Flat	4
38	7051-004	Grease Fitting, 90° 1/8"	2
39	45720-001-11	Coupling, 1/8"	2
40	7650-026-11-01	Hose Assembly	2
41	45720-001-07	Coupling, 1/4" x 1-1/2"	2
42	7430-017	Elbow, 90° 1/4"	2
43	7650-014-33	Hose Assembly	2
44	Reference	<i>See Conveyor & Auger Drive, Section 6</i>	-
45	Reference	<i>See Liners & Chains, This Section</i>	-

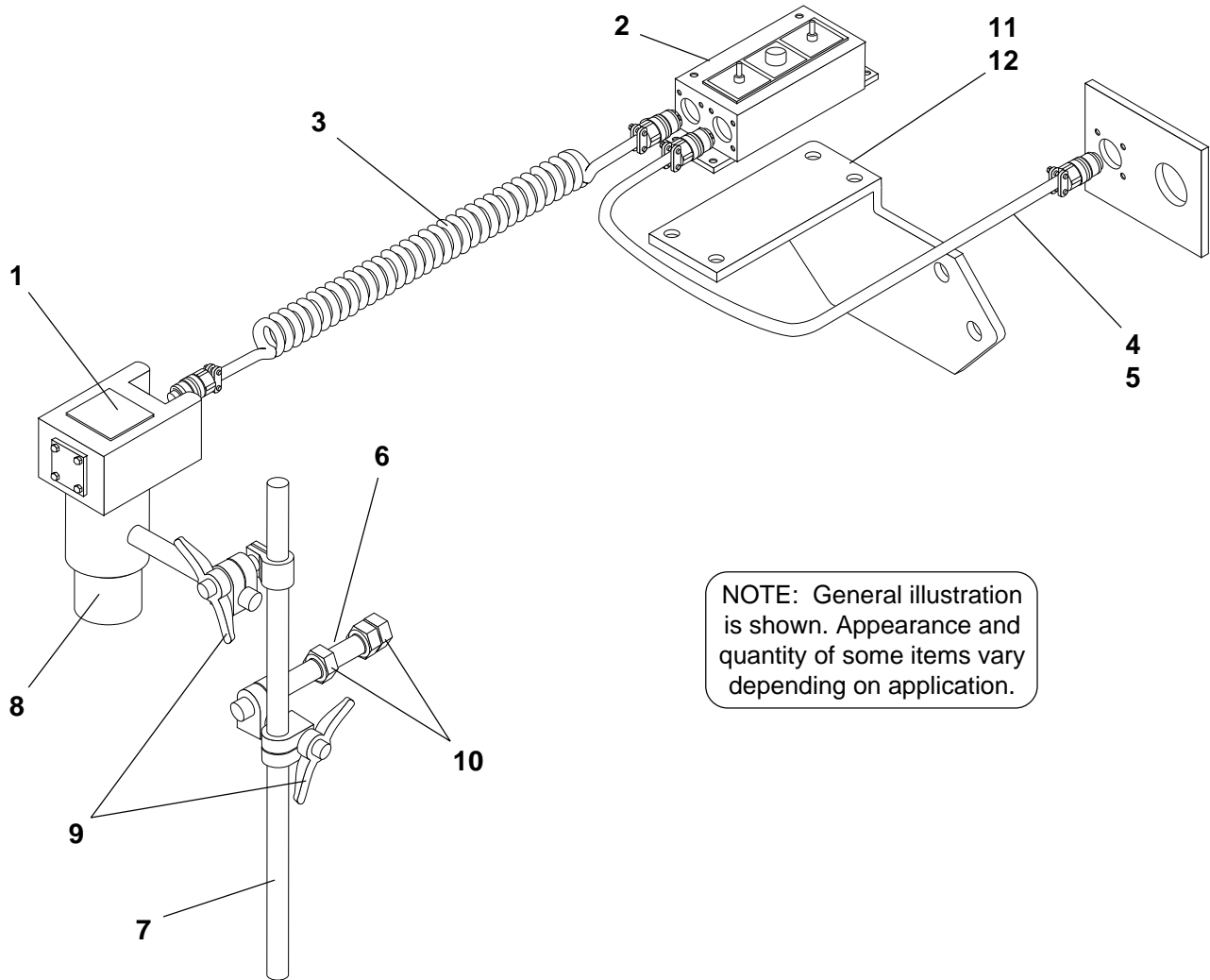
Auger Chutes - Slat Conveyor
Parts List No. 5032ECR



Ref. No.	Part Number	Description	Quantity
1	9704-205-96	Plate, Deflector Slope	2
2	9704-205-97	Bracket, Left Hand	1
3	9704-205-98	Bracket, Right Hand	1
4	7072-194	Carriage Bolt, 1/2" NC x 1-3/4"	4
5	7014-020	Washer, 1/2"	12
6	45890-102-28	Locknut, 1/2" NC	12
7	7072-101	Carriage Bolt, 1/2" NC x 1-1/4"	8
8	Reference	See Liners & Chain, This Section	-

Note: Items 1, 2 & 3 may also be Supplied as a Kit using Part Number: 9709-200-01.

Sonic Feed Control Mounting
Parts List No. 05210FEN

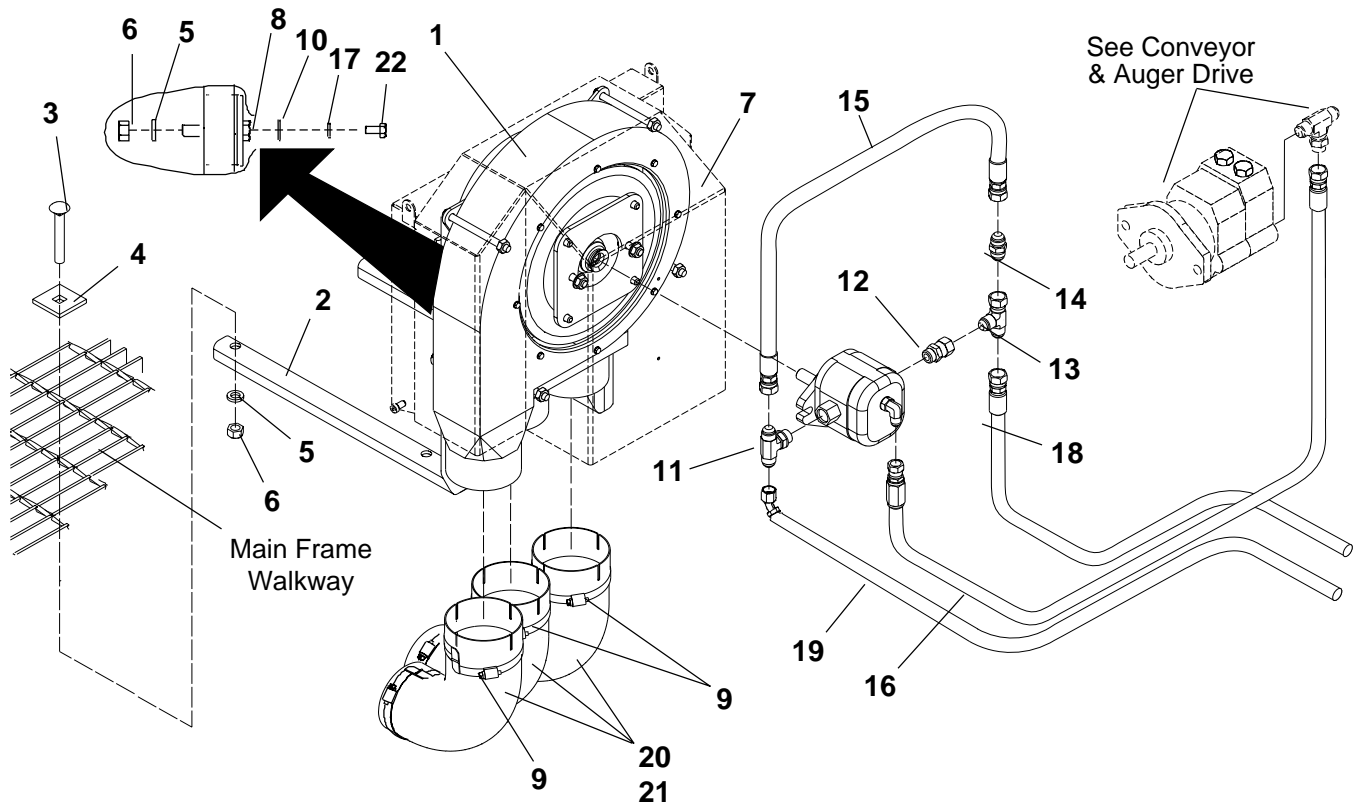


NOTE: General illustration is shown. Appearance and quantity of some items vary depending on application.

Ref. No.	Part Number	Description	Quantity
1	46061-100-36	Sensor, Ultrasonic - 6 Pin	2
2	9709-600-11	Kit, Feed Controller - Complete	1
	46061-100-34	Controller, SX Feeder - Left Hand	1
	46061-100-35	Controller, SX Feeder - Right Hand	1
3	46061-100-23	Cable, Coiled	2
4	9704-410-93	Cable, Power - Left Hand	1
5	9704-410-94	Cable, Power - Right Hand	1
6	9704-452-62	Stud, Gate Mounting	2
7	9704-452-63	Rod, Extension	2
8	9704-452-64	Mount, Sensor	2
9	46185-001-20	Clamp, Adjustable Swivel	4
10	7012-027	Hex Nut, 1/2" NC	4
11	9704-452-76	Mount, Sensor - Right Hand	1
12	9704-452-77	Mount, Sensor - Left Hand	1

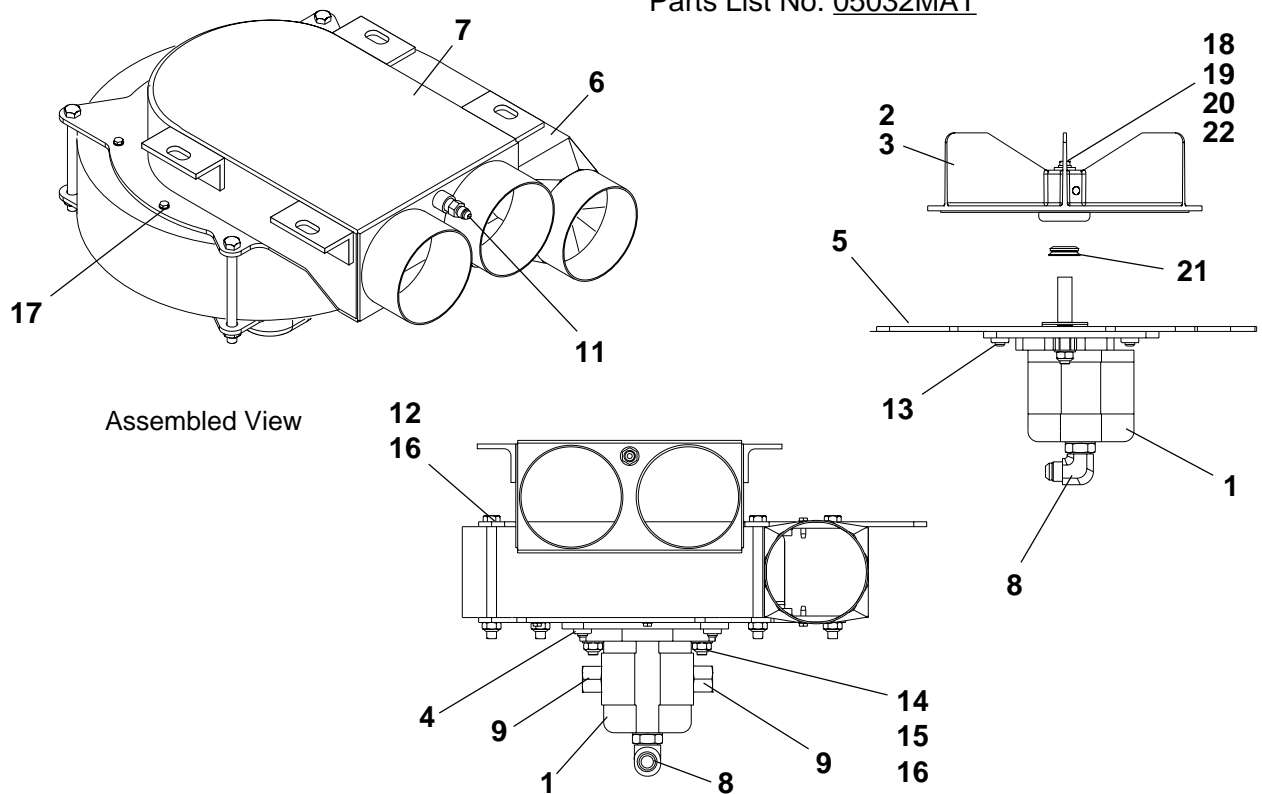
Fume Fan Parts

Parts List No. 05032MAT



Ref. No.	Part Number	Description	Quantity
1	9704-321-54	Fume Collection Fan - <i>See Form #22425, This Section</i>	1
2	9704-321-36	Mount, Fume Fan	2
3	7072-106	Carriage Bolt, 1/2" NC x 3-1/2"	4
4	9704-011-74	Grate, Retainer	4
5	7014-005	Lockwasher, 1/2"	8
6	7012-027	Hex Nut, 1/2" NC	8
7	9704-321-55	Cover, Fan	1
8	45890-252-34	Bolt, 5/16" Special	4
9	45191-007-31	Clamp, 4" Hose Bridge	3
10	7014-017	Washer 5/16" Flat	4
11	7430-303	Tee, 3/4" x 1/2" Branch - with O-Ring	1
	45259-508-14	O-Ring, 3/4" (For above fitting)	As Req
12	7430-401	Connector, 3/4" x 1/2" - with O-Ring	1
	45259-508-14	O-Ring, 3/4" (For above fitting)	As Req
13	7430-345	Tee, 1/2" Swivel Nut - Run	1
14	45252-010-11	Valve, 1/2" Check	1
15	7652-018-33	Hose Assembly, <i>Vibrator Return</i>	1
16	7651-046-33-01	Hose Assembly, <i>to Conveyor Motor Case Drain</i>	1
17	7014-002	Washer, 5/16" Lock	4
18	7652-085-33	Hose Assembly, <i>from Vibrator Pump or ROC Fan</i>	1
19	7662-132-33	Hose Assembly, <i>to Vibrator Solenoid Valve</i>	1
20	45710-003-18	Elbow, 90° 4"	4
21	46185-001-28	Clamp, T-Bolt - 4.125"	3
22	7383-019	Capscrew, 5/16" NC x 5/8"	4

Fume Collection Fan
Parts List No. 05032MAT

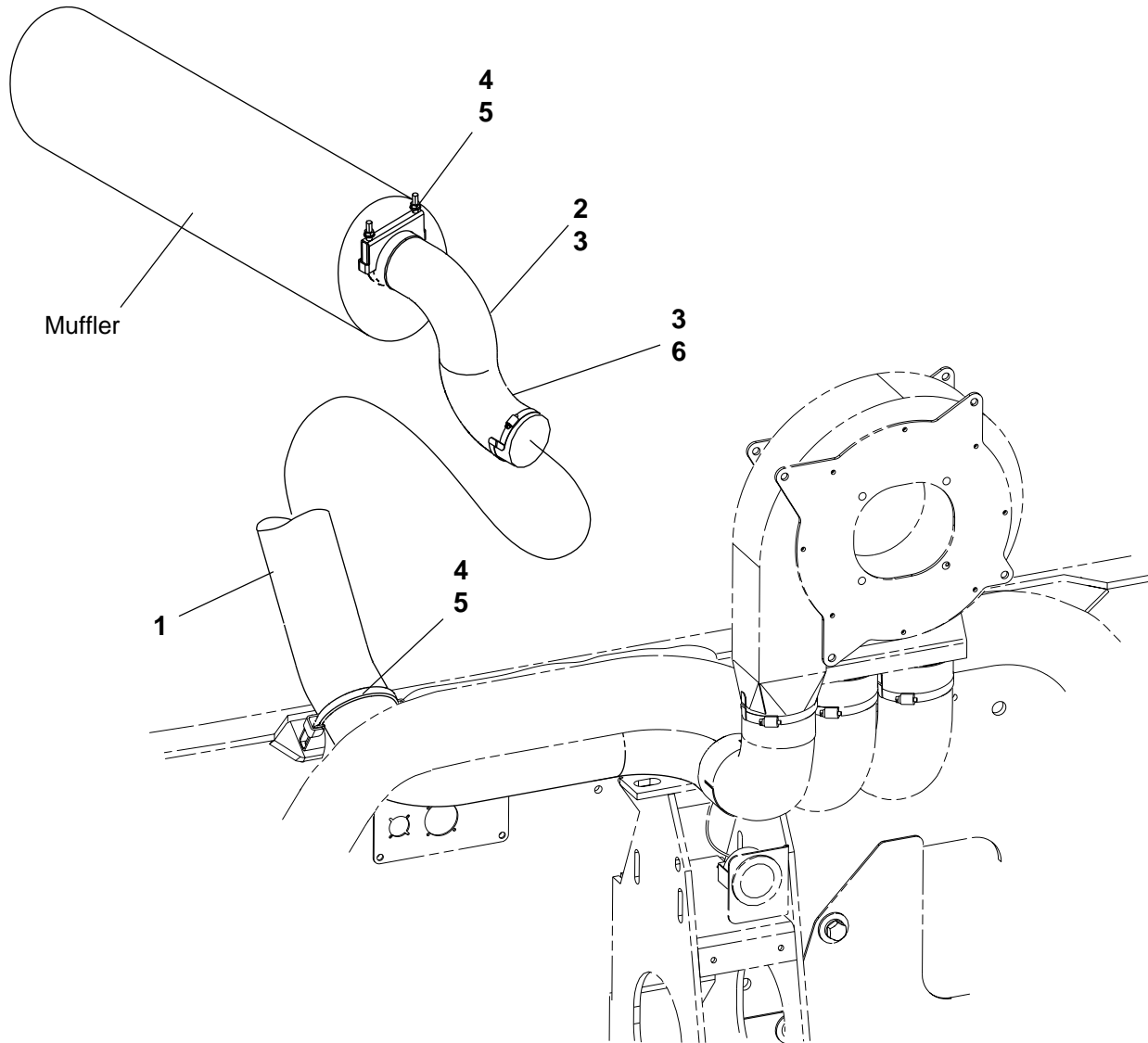


Assembled View

Ref. No.	Part Number	Description	Quantity
	9704-321-54	Fume Fan - Complete	1
1	45080-006-21	Hydraulic Motor	1
2	9704-319-49	Key, Step (Supplied with motor)	1
3	9704-320-92	Wheel, Fan	1
4	9704-319-32	Plate, Motor Mount	1
5	9704-319-27	Plate, Housing	1
6	9704-319-23	Housing, Fan	1
7	9704-321-56	Box, Inlet	1
8	7430-275	Elbow, 90° 9/16" x 3/8" - with O-Ring	1
	45259-508-13	O-Ring, 9/16" (For above fitting)	As Req
9	45270-775-34	Connector, #8 x 1/2"	2
10	*45995-001-30	Sealant (Not Shown)	As Req
11	7430-002	Connector, 1/4" x 1/4"	1
12	7383-316	Capscrew, 3/8" NC x 4-1/4"	4
13	7389-023	Capscrew, 3/8" NC x 3/4" --- Flat Head	4
14	7383-039	Capscrew, 3/8" NC x 1-1/4"	4
15	7465-014	Washer, 3/8" Hardened Flat	4
16	45890-102-30	Locknut, 3/8" NC	8
17	7472-010	Screw, #10 NC x 5/8" - Self-Tapping	14
18	45890-255-46	Washer, 1/4" Flat Oversize	1
19	7014-001	Lockwasher, 1/4"	1
20	45890-300-62	Capscrew, M6 x 20 Hex Head - Grade 10.9	1
21	45210-001-18	Seal	1
22	45890-255-32	Washer, 5/8" Hi Strength	1

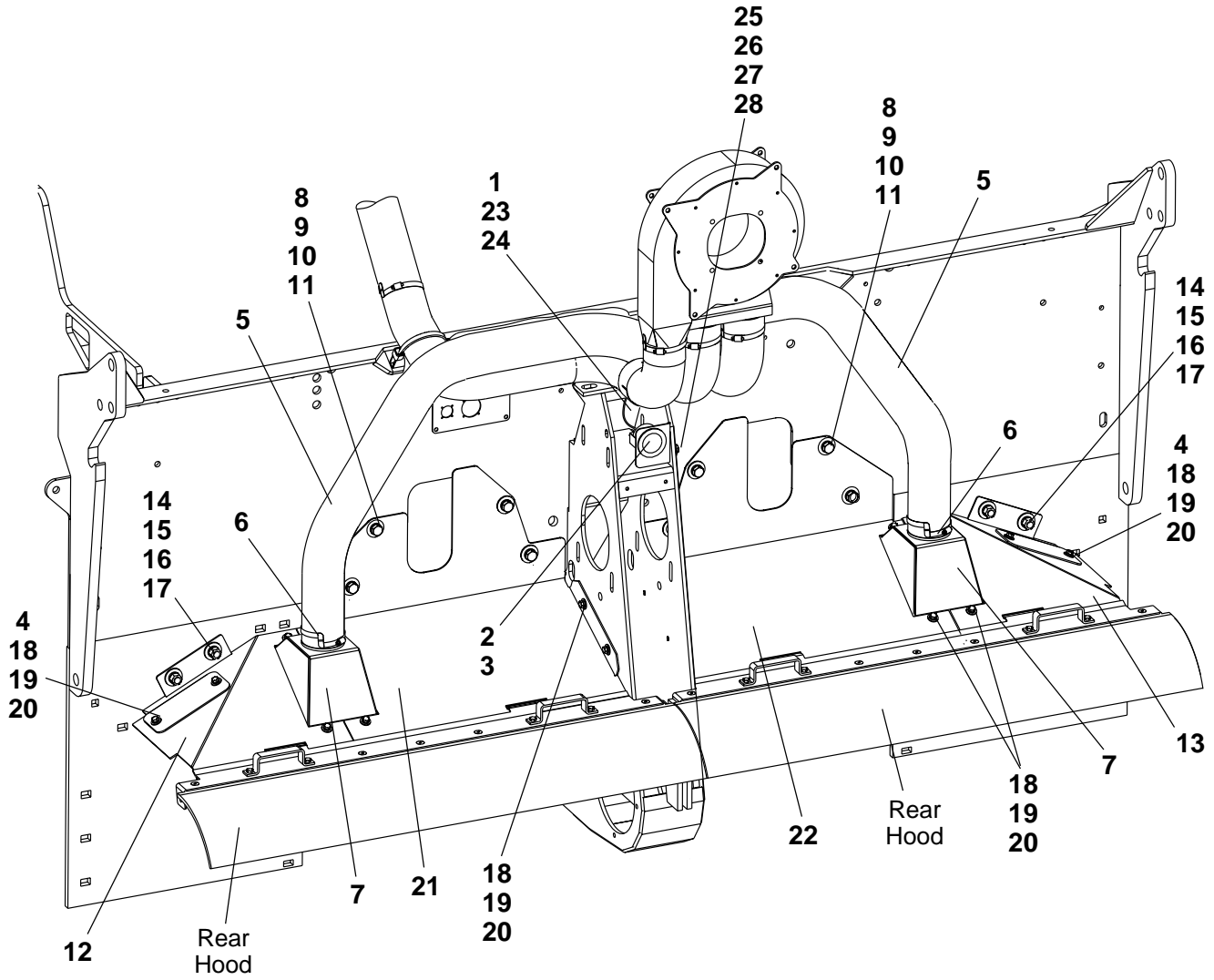
***NOTE: Apply 1/4" bead of Sealant between Motor and Motor Mount Plate, Housing Plate and Fan Housing.**

Duct Clamps - Fume Recovery
Parts List No. 05032MAT



Ref. No.	Part Number	Description	Quantity
1	45335-003-15	Ducting, 4" Flexible	40'
2	45191-007-31	Clamp, 4" Hose Bridge	1
3	45710-003-18	Elbow, 90 Deg. 4" ID #14Gauge	2
4	45710-002-13	U-Clamp, 4" Flat Band	2
5	7017-025	Hex Nut, 3/8" NC - Jam	4
6	46185-001-28	Clamp, T-Bolt -4.125"	1

Fume Recovery System



NOTE: Rear Hoods may not be used in all applications.

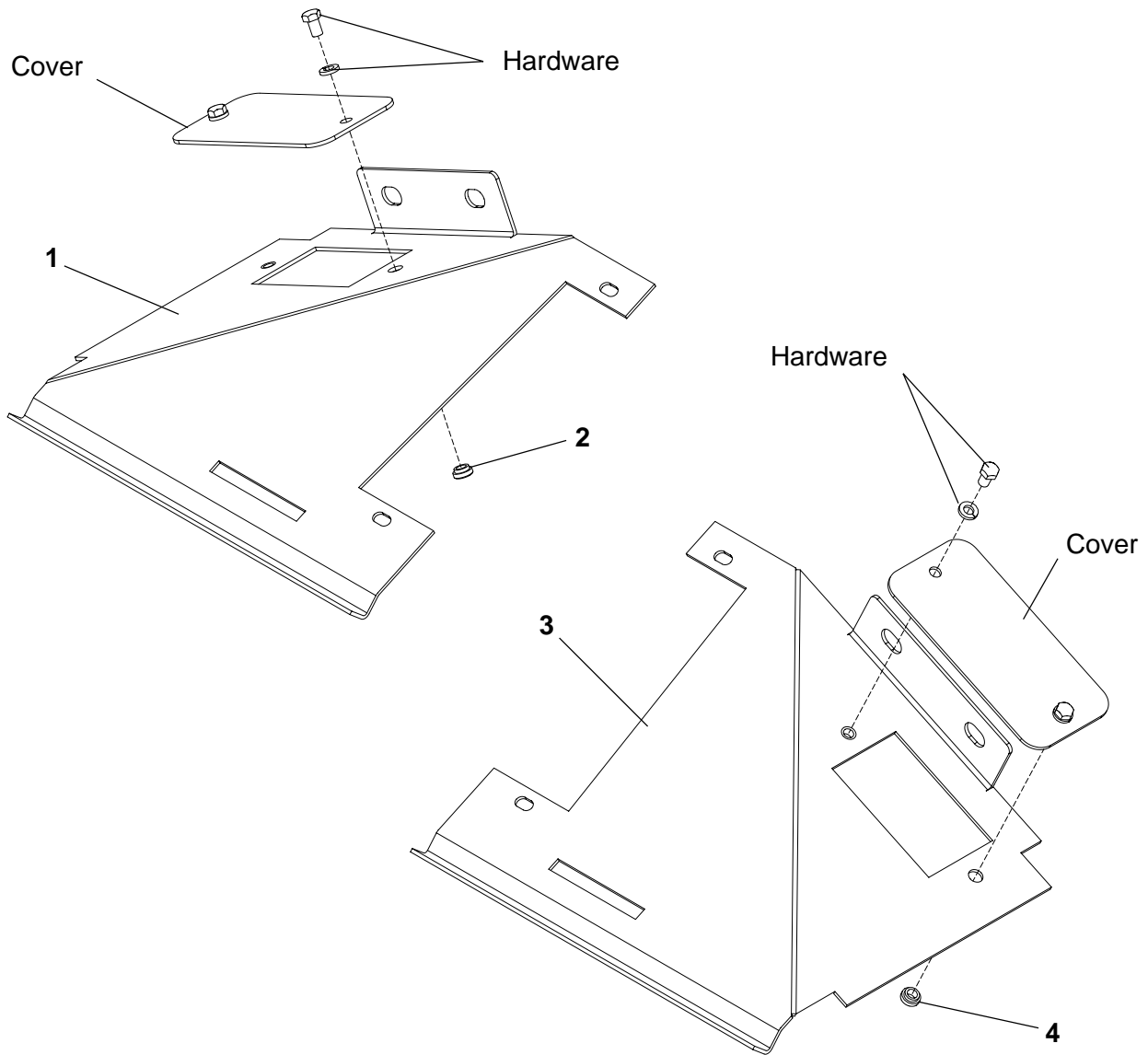


Fume Recovery System

Parts List No. 5032MAU

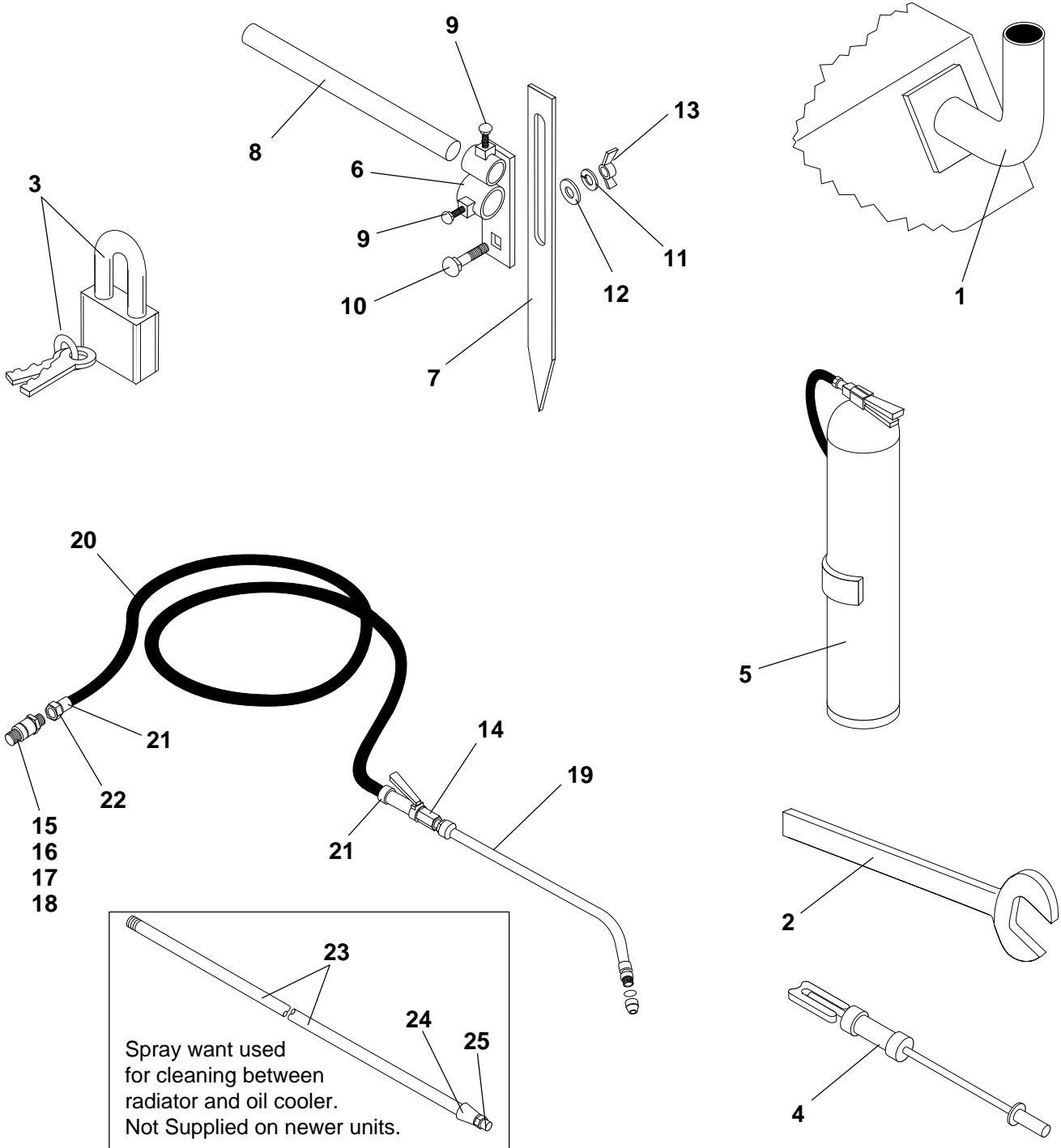
Ref. No.	Part Number	Description	Quantity
1	50030-001-30	Tubing, 3/16" I.D.	2.0'
2	9704-321-59	Bracket, Vacuum Gauge Fume	1
3	45865-002-44	Gauge, Water Scale	1
4	9704-319-53	Cover	2
5	45335-003-14	Duct, 4" Flexible	As Req
6	45191-007-31	Clamp, 4" Hose Bridge	2
7	9704-319-34	Box, Inlet	2
8	7383-098	Capscrew, 5/8" NC x 1"	8
9	7014-022	Washer, 5/8"	8
10	7014-007	Lockwasher, 5/8"	8
11	7012-029	Hex Nut, 5/8" NC	8
12	9704-319-51	Hood, Left Hand - See Form # 21577, This Section	1
13	9704-319-52	Hood, Right Hand - See Form # 21577, This Section	1
14	7072-197	Carriage Bolt, 5/8" NC x 1-3/4"	4
15	7014-022	Washer, 5/8"	4
16	7014-007	Lockwasher, 5/8"	4
17	7012-029	Hex Nut, 5/8" NC	4
18	7383-036	Capscrew, 3/8" NC x 3/4"	16
19	7014-018	Washer, 3/8"	16
20	7014-003	Lockwasher, 3/8"	16
21	9704-323-15	Hood, Main Inlet - Left Hand	1
22	9704-323-16	Hood, Main Inlet - Right Hand	1
23	46320-001-06	Strap	3
24	46320-001-25	Mount, Cable Tie	3
25	7383-069	Capscrew, 1/2"NC x 1-1/4"	1
26	7014-020	Washer, 1/2"	1
27	7014-005	Lockwasher, 1/2"	1
28	7012-027	Hex Nut, 1/2" NC	1

Hood Assemblies



Ref. No.	Part Number	Description	Quantity
	9704-319-51	Hood Assembly, Left Hand - Complete	-
1	9704-319-39	Hood, Left Hand	1
2	45890-101-05	Plug Nut, 3/8" NC	2
	9704-319-52	Hood Assembly, Right Hand - Complete	-
3	9704-319-40	Hood, Right Hand	1
4	45890-101-05	Plug Nut, 3/8" NC	2

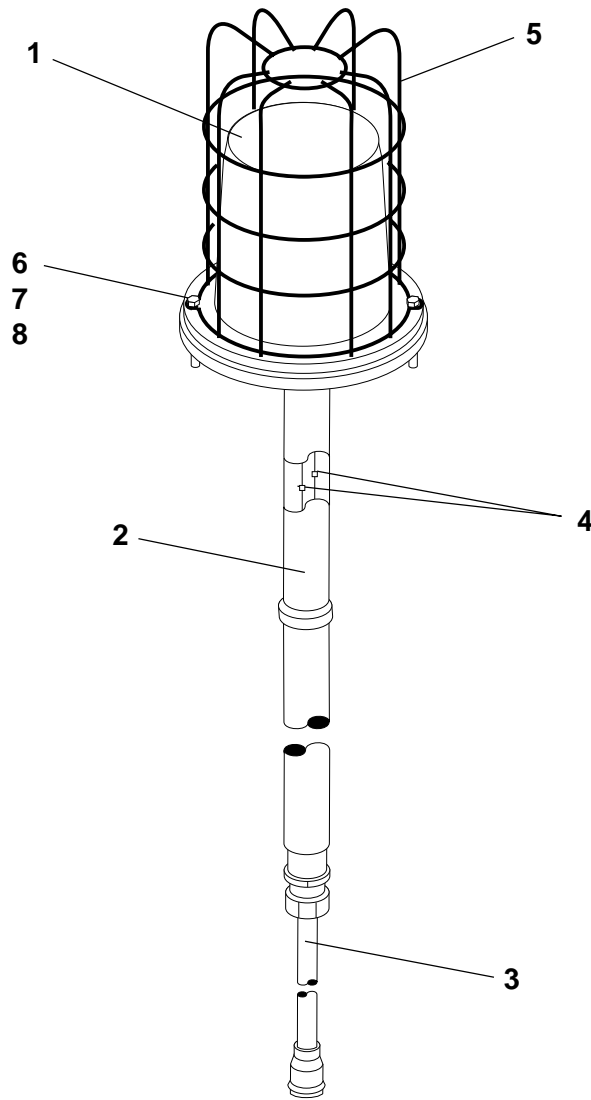
Tractor Accessories



Tractor Accessories

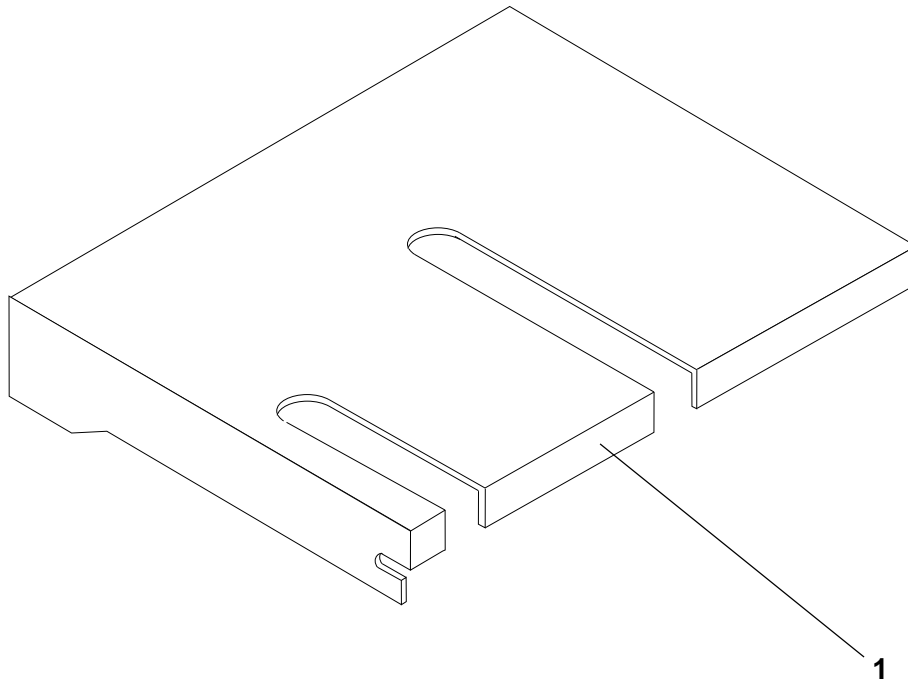
Ref. No.	Part Number	Description	Quantity
1	9704-319-73	Extension, Exhaust	1
2	45500-750-10	Wrench, Open End	1
3	46000-004-04	Padlock, with Keys	7
4	9704-568-94	Slide Hammer	1
5	45515-004-03	Extinguisher, Fire	1
	9704-450-63	Guide Marker Assembly - Complete	1
6	9704-902-11	Bracket	1
7	5036KD-14	Marker, Guide	1
8	40509-041	Pipe, 1-1/2" x 41"	1
9	{ 7383-070	Capscrew, 1/2" NC x 1-1/2"	5
	{ 7012-005	Square Nut, 1/2" NC	5
10	7072-052	Carriage Bolt, 3/8" NC x 1"	1
11	7014-003	Lockwasher, 3/8"	1
12	7014-018	Washer, 3/8"	1
13	7056-011	Wing Nut, 3/8" NC	1
	9704-564-46	Spraydown Hose - Complete (Supplied with all units)	1
14	45251-001-76	Valve, Shut-Off	1
15	45191-504-29	Quick Disconnect, 1/8" Brass	1
16	45191-504-29-01	Plug, Dust	1
17	45191-504-29-02	Cap, Dust	1
18	45720-770-54	Hex Nipple, 1/8"	1
19	45251-006-05	Extension, 18" - with Nozzle	1
20	50030-001-02	Hose, 3/8"	30'
21	45191-004-05	Clamp	2
22	40500-002-50-02	Nipple, 1/8" Pipe	1
	9704-452-44-01	Spray Wand, without Gun (Not supplied on newer units)	1
23	40501-035-00-01	Nipple, 1/4" x 35"	1
24	7304-001	Reducer Coupling, 1/4" x 1/8"	1
25	45251-005-68	Spray Nozzle	1
	Additional Parts (Not Shown)		
26	9704-800-43	Kit, Belt Tensioning	1
27	45080-527-07	Test Hose	1
28	45080-527-05	Adapter	1
29	7435-134	Machine Screw, 1/4" x 5/8"	5
30	7014-016	Washer, 1/4"	5
31	45890-102-36	Locknut, 1/4"	5

Strobe Kit



Ref. No.	Part Number	Description	Quantity
	9704-750-13	Strobe Kit - Complete	1
1	46270-003-12	Lamp, Strobe	1
2	9704-750-12	Mount, Strobe	1
3	9704-410-47	Cable	1
4	46275-001-28	Lug	2
5	46270-003-13	Guard, Strobe	1
6	7383-006	Capscrew, 1/4" NC x 1"	2
7	7014-001	Washer, 1/4" Lock	2
8	7012-023	Nut, Hex 1/4" NC	2
9	7012-003	Nut, Square 3/8" NC - <i>(Not Shown)</i>	1
10	5036PGB04	Bolt, Right Angle 3/8" - <i>(Not Shown)</i>	1

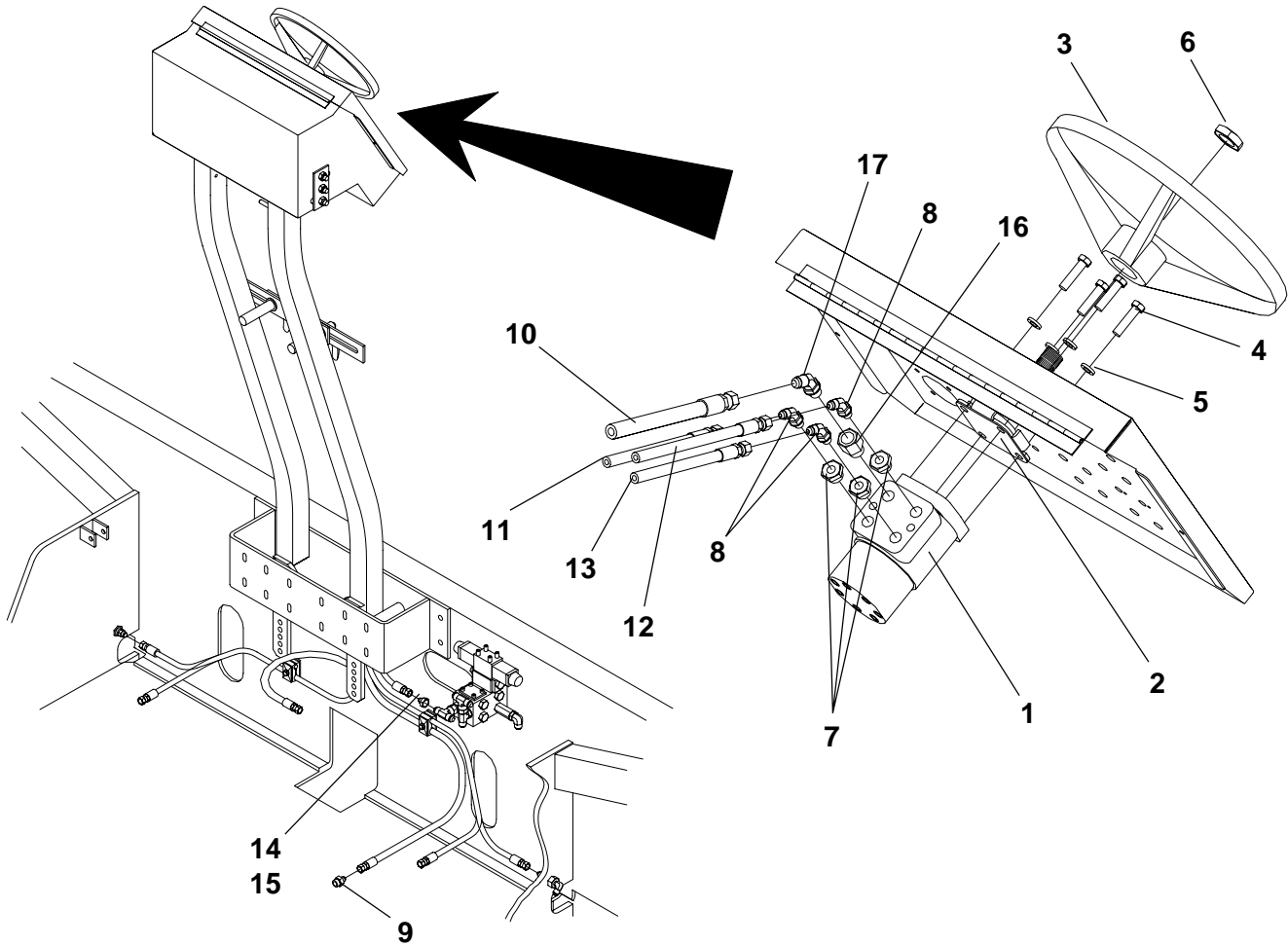
Console Cover



Ref. No.	Part Number	Description	Quantity
1	9704-505-47	Console Cover, Rubber Tire Paver	1
<i>The following hardware is supplied with Console Cover, not shown on the illustration:</i>			
2	7455-012	Screw, Shoulder 3.8" x 5/8"	2
3	7014-002	Washer, 5/16" Lock	2
4	7012-024	Hex Nut, 5/16" NC	2
5	7383-074	Capscrew, 1/2" x 2-1/2"	2
6	7014-005	Washer, 1/2" Lock	2
7	7012-027	Hex Nut, 1/2" NC	4

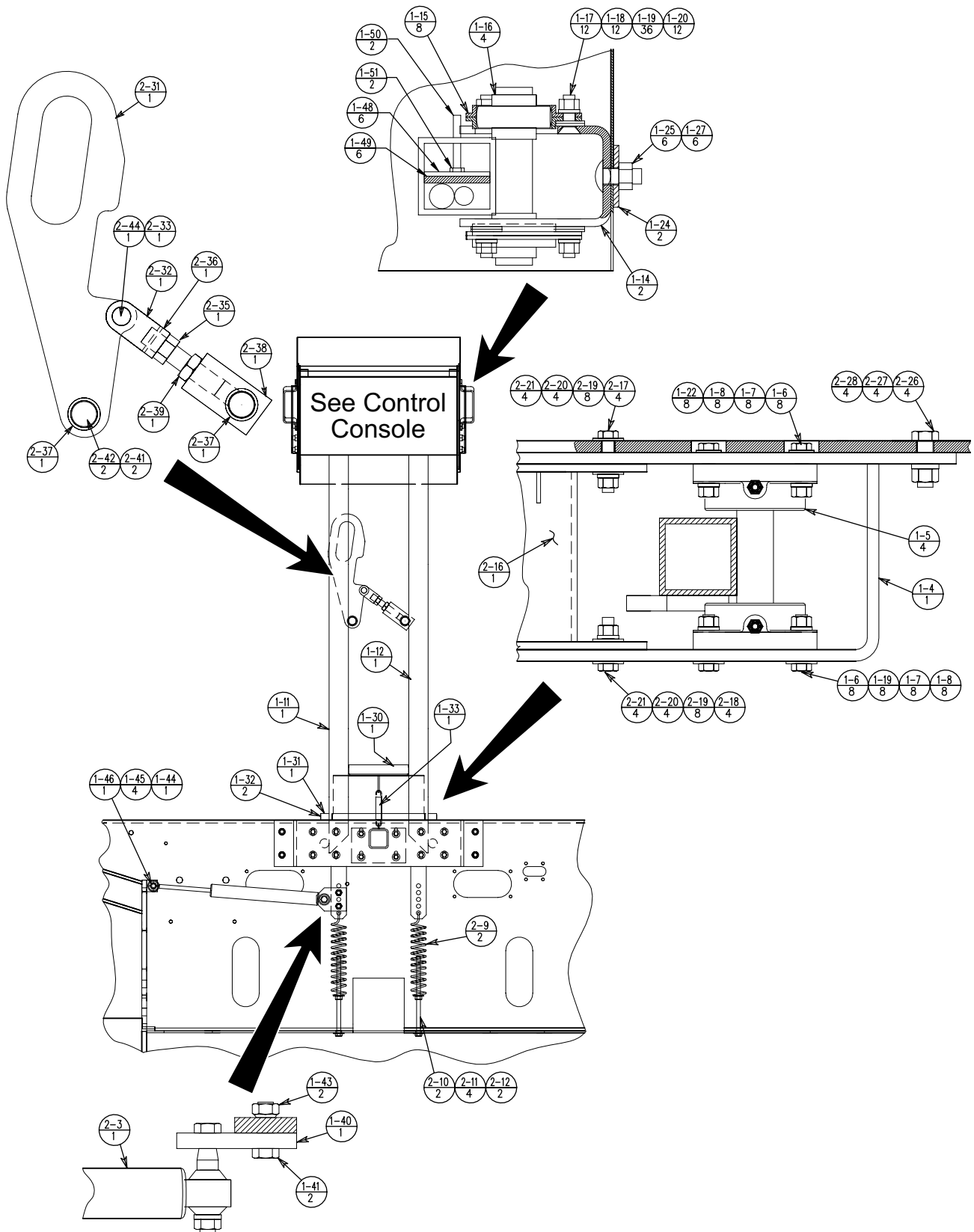
NOTE: Refer to Control Console in Section 8 for additional information.

Console Hydraulics



Ref. No.	Part Number	Description	Quantity
1	45259-005-20	Valve, Steering	1
2	45259-507-09	Column, Steering	1
3	9704-502-98	Wheel, Steering	1
4	7383-039	Capscrew, 3/8" x 1-1/4"	4
5	7014-003	Lockwasher, 3/8"	4
6	45259-517-07	Nut	1
7	45720-776-04	Adapter, 1/2" x 1/4"	3
8	7430-311	Elbow, 45° 1/4" x 7/16"	3
	45259-508-12	O-Ring (for above fitting)	As Req
9	7430-253	Fitting, 1/2" x 3/8"	1
	45259-508-14	O-Ring (for above fitting)	As Req
10	7651-120-33	Hose Assembly, Return	1
11	7650-103-33-02	Hose Assembly, Pressure	1
12	7650-130-33-01	Hose Assembly, Steering	1
13	7650-130-33-01	Hose Assembly, Steering	1
14	7430-325	Reducer, 1/2" x 3/8"	2
15	7430-207	Nut, 1/2"	1
16	45720-775-55-01	Reducer, 1/2" x 3/8"	1
17	7430-313	Elbow, 45° 3/8"	1

Console - Mechanical Parts





Console - Mechanical Parts

Parts List No. 5032MNK

Ref. No.	Part Number	Description	Quantity
1-4	9704-504-94	Base, Console Support	1
1-5	FO103FGA	Flange Bearing, 1-3/16" - See Form #1001, This Section	4
1-6	7383-040	Capscrew, 3/8" x 1-1/2"	16
1-7	7014-003	Lockwasher, 3/8"	16
1-8	7012-025	Hex Nut, 3/8"	16
1-11	9704-503-68	Support, Console - Right Hand	1
1-12	9704-503-73	Support, Console - Left Hand	1
1-14	9704-503-64	Bracket, Upper Bearing	2
1-15	45129-001-04	Flangette, Bearing	8
1-16	7041-007	Ball Bearing, 1-3/16" Bore	4
1-17	7389-025	Capscrew, 3/8" x 1-1/4" Sockethead	12
1-18	7014-003	Lockwasher, 3/8"	12
1-19	7014-018	Washer, 3/8" Flat	32
1-20	7012-025	Hex Nut, 3/8"	12
1-22	7097-009	Washer, 3/8" SAE Flat	8
1-24	9704-503-79	Flat, Console Bracket Backing	2
1-25	7072-101	Carriage Bolt, 1/2" NC x 1-1/4"	6
1-27	45890-102-28	Locknut, 1/2" NC	6
1-30	9704-505-86	Lock, Console	1
1-31	9704-504-90	Rod, Hinge	1
1-32	7011-021	Cotter Pin, 3/16" x 1"	2
1-33	5036XQ07	Coil Spring	1
1-40	9704-503-02	Flat, Damper Support	1
1-41	7383-070	Capscrew, 1/2" x 1-1/2"	2
1-43	45890-102-28	Locknut, 1/2"	2
1-44	7383-060	Capscrew, 7/16" x 2-3/4"	1
1-45	7014-019	Washer, 7/16"	4
1-46	45890-102-31	CrownLock, 7/16" NC	1
1-48	9704-503-94	Flat	As Req
1-49	9704-503-95	Rubber	As Req
1-50	7131-085	Setscrew, 3/8" x 2-1/2"	As Req
1-51	7017-025	Hex Nut, 3/8" Jam	As Req
2-3	45090-010-45	Damper, Steering	1
2-9	9704-503-05	Spring, Console Arm	2
2-10	7285-033	Adjusting Bolt, 1/2" NC x 10"	2
2-11	7014-020	Washer, 1/2"	4
2-12	7012-027	Hex Nut, 1/2" NC	2
2-16	9704-504-93	Stop, Console Arm	1
2-17	7383-041	Capscrew, 3/8" x 1-3/4"	4
2-18	7383-040	Capscrew, 3/8" x 1-1/2"	4
2-19	7097-009	Washer, 3/8" Flat	16
2-20	7014-003	Lockwasher, 3/8"	8
2-21	7012-025	Hex Nut, 3/8"	8

- Continued Next Page -



Console - Mechanical Parts

Parts List No. 5032MNK

Ref. No.	Part Number	Description	Quantity
2-26	7383-070	Capscrew, 1/2" x 1-1/2"	4
2-27	7014-005	Lockwasher, 1/2"	4
2-28	7012-027	Hex Nut, 1/2"	4
2-31	9704-505-07	Handle, Console Lock	1
2-32	9704-505-08	Yoke, Console Clamp	1
2-33	7198-010	Yoke Pin, 3/4"	1
2-35	9704-505-01	Bolt, Console Lock	1
2-36	7253-026	Retaining Ring	1
2-37	40505-000-75	Pipe, 1" Standard x 3/4"	2
2-38	9704-505-09	Block, Console Lock	1
2-39	7017-052	Hex Nut, 3/4" Jam	1
2-41	7014-020	Washer, 1/2"	2
2-42	7383-068	Capscrew, 1/2" NC x 1"	2
2-44	7011-039	Cotter Pin, 1/8" x 1-1/2"	1
2-47	45080-529-24	Clamp Half, 5/8" Tube	2
2-48	7383-032	Capscrew, 5/16" x 3-1/2"	1
2-49	7014-002	Lockwasher, 5/16"	1
2-50	7012-024	Hex Nut, 5/16"	1
2-51	45080-529-35	Clamp Half, 1"	2

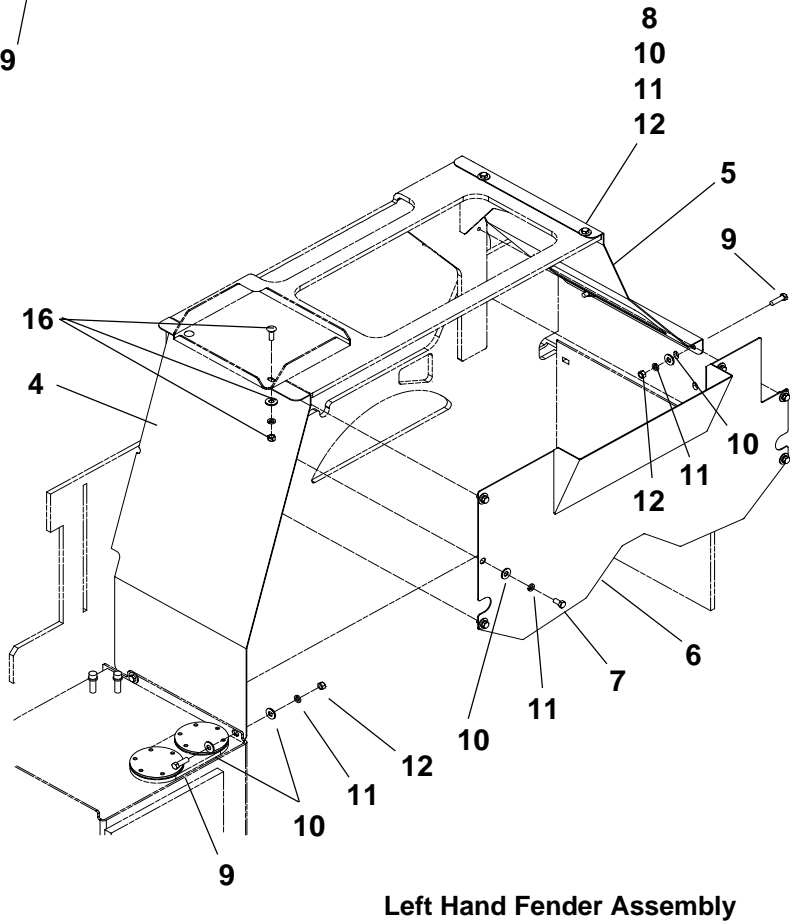
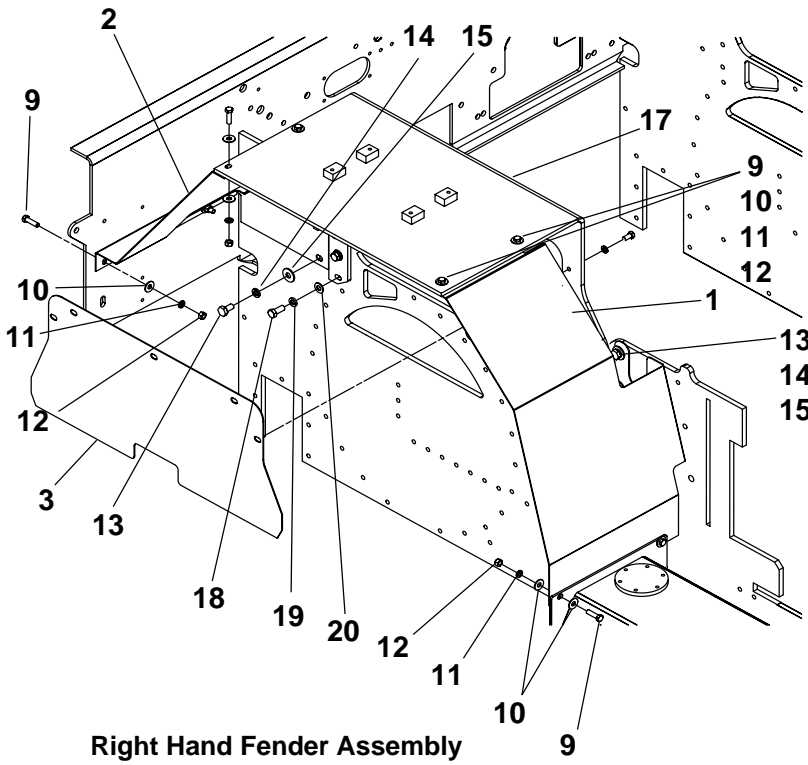


Emblems

Parts List No. 5210KEV

Ref. No.	Part Number	Description	Quantity
1	4493-023	Emblem, Serial	1
2	7073-013	Screw, Drive	3
3	4418-197	Emblem, Slow Moving Vehicle	1
4	7435-135	Machine Screw	2
5	7014-001	Washer	2
6	7012-023	Hex Nut	2
7	4495-008	Diagram, Hydraulic Schematic - 462R/562	1
8	46010-600-06	Tape, White 1"	36'
9	4418-866	Emblem, Patent	1
10	9704-453-97	Emblem Kit, Tractor Common - Complete	1
11	4490-009	Emblem, Paver Vandal Cover	1
12	4418-628	Emblem, Moving Procedure	1
13	4490-020	Emblem, Entanglement - Burn	2
14	4494-103-11	Emblem, Coolant Fill	1
15	4492-010	Emblem, Paver Hopper Wings	2
16	4490-030	Emblem, Danger Skin Injection	1
17	4491-015	Emblem, Propos 65 Warning	1
18	4491-007	Emblem, Hood Safety	2
19	4418-955	Emblem, USA Flag	2
20	4490-021	Emblem, Battery	1
21	4418-617	Emblem, Pull Point Indicator 12"	2
22	4418-720	Emblem, Engine Oil Drain	1
23	4493-022	Emblem, Booster Cables	2
24	4494-103-01	Emblem, Towing Instructions	1
25	4491-026	Emblem, Emergency Towing	1
26	4490-019	Emblem, Entanglement - Burn	2
27	4418-977	Emblem, Lift Here	4
28	4418-976	Emblem, Tie Down Here	4
29	4418-950	Emblem, Engine Coolant Drain	1
30	4418-925	Emblem, Paver Lube Plate	1
31	4418-934	Emblem, Paver Vacuum Indicator	1
32	9704-454-07	Emblem Kit, CR552 Emblems - Complete	1
33	4494-104-50	Emblem, 552	2
34	4418-135-11	Emblem, Diesel	2
35	4418-836	Emblem, Reservoir Level	2
36	4494-104-63	Emblem, Stripe	2
37	4493-017	Emblem, Paver Tire Pressure	2
38	4418-803	Emblem, Oil Reservoir	2
39	4418-606	Emblem, CR551 Lifting Points	1
40	4418-607	Emblem, CR551 Tie Downs	1
41	9700-079	Emblem, Gate Opening	1
42	4494-104-70	Emblem, Terex	2

Fenders

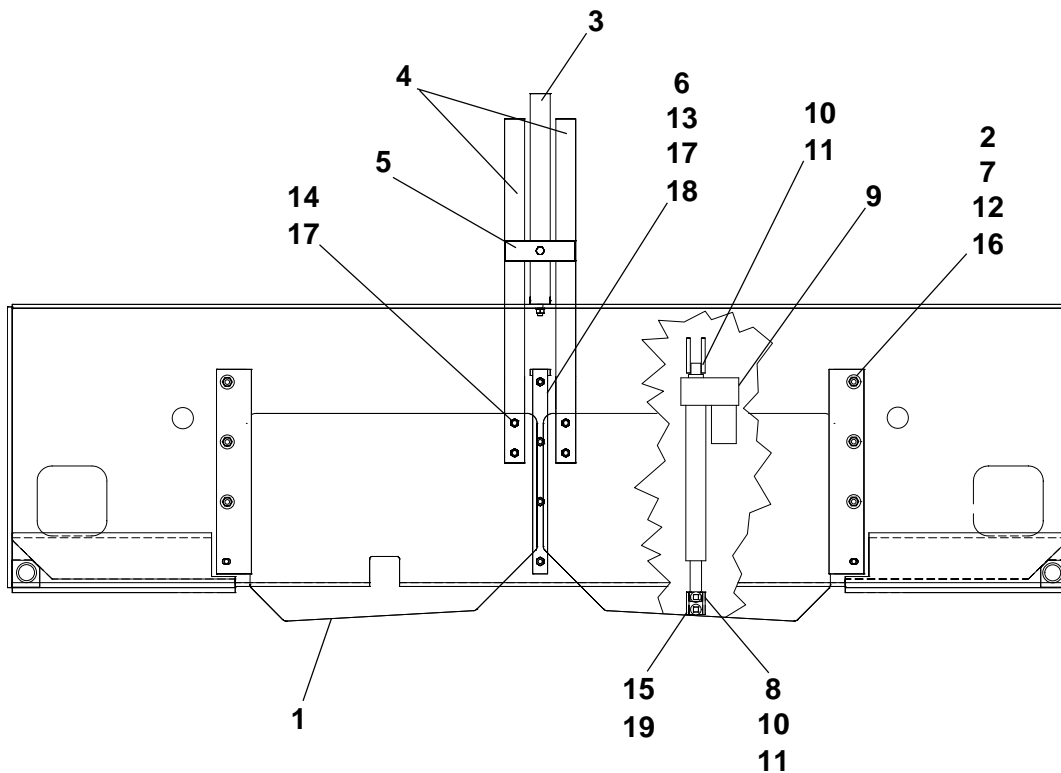


Fenders
 Parts List No. 5032BFG

Ref. No.	Part Number	Description	Quantity
1	9704-014-38	Fender, Right Hand Front	1
2	9704-013-96	Fender, Right Hand Rear	1
3	9704-013-75	Cover, Right Hand Fender	1
4	9704-013-79	Fender, Left Hand Front	1
5	9704-012-59	Fender, Left Hand Rear	1
6	9704-013-83	Fender, Inside Panel	1
7	7383-068	Capscrew, 1/2" NC x 1"	6
8	7383-070	Capscrew, 1/2" NC x 1-1/2"	2
9	7383-071	Capscrew, 1/2" NC x 1-3/4"	12
10	7014-020	Washer, 1/2"	32
11	7014-005	Lockwasher, 1/2"	20
12	7012-027	Hex Nut, 1/2" NC	14
13	7383-099	Capscrew, 5/8" NC x 1-1/4"	6
14	7014-007	Lockwasher, 5/8"	6
15	7014-022	Washer, 5/8"	6
16	Reference	<i>See Battery Mounting & Cables, Section 6</i>	
17	9704-013-76	Support, Air Cleaner	1
18	7383-100	Capscrew, 5/8" NC x 1-1/2"	6
19	7014-007	Washer, 5/8" Lock	6
20	7097-013	Washer, 5/8" SAE	6

Flow Gates

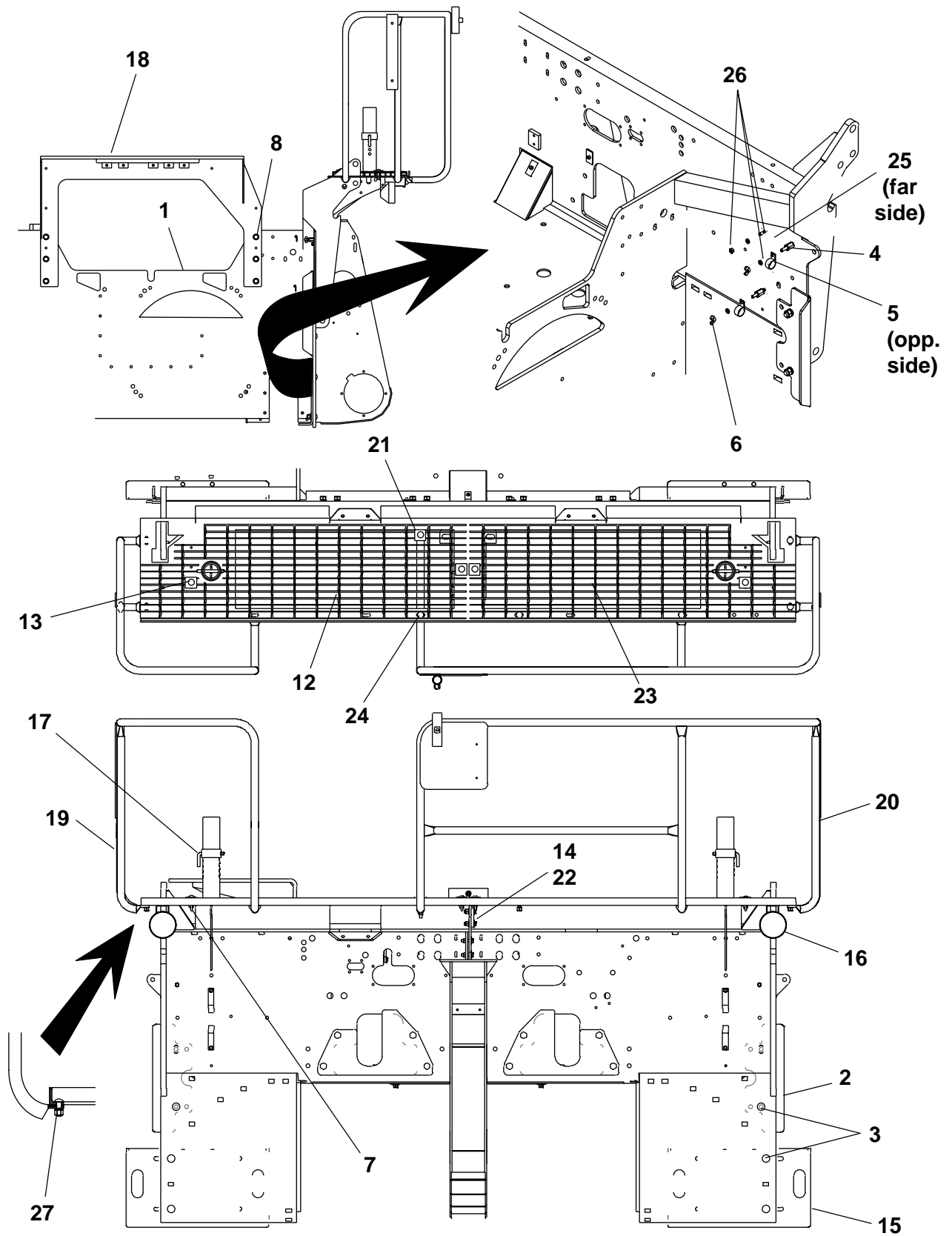
Parts List No 05210ESF



Ref. No.	Part Number	Description	Quantity
1	9704-007-61	Gate, Hopper	2
2	9704-007-85	Clamp, Outer Gate	2
3	9704-014-67	Flat, Decal Mounting Bracket	1
4	9704-014-66	Flat, Hopper Gate Indicator	2
5	9704-008-15	Flat, Gate Indicator	2
6	9704-001-19	Clamp, Gate Center	1
7	9701-574	Shim, Clamp	2
8	9704-006-55	Clevis, Gate	2
9	45500-758-24	Jack, Actuator - Electric	2
10	7198-008	Pin, Yoke 1/2"	4
11	7011-017	Cotter Pin, 1/8" X 1"	4
12	7383-070	Capscrew, 1/2"NC x 1-1/2"	8
13	7383-071	Capscrew, 1/2"NC x 1-3/4"	6
14	7383-068	Capscrew, 1/2"NC x 1"	4
15	7072-102	Carriage Bolt, 1/2" NC x 1-1/2"	4
16	7014-020	Washer, 1/2"	14
17	7014-005	Washer, 1/2" Lock	10
18	7012-027	Hex Nut, 1/2" NC	2
19	45890-102-28	Locknut, 1/2" NC	4

Note: Items 2, 6 & 7 may also be Supplied as a Kit using Part Number: 9709-000-01.

Main Frame Parts





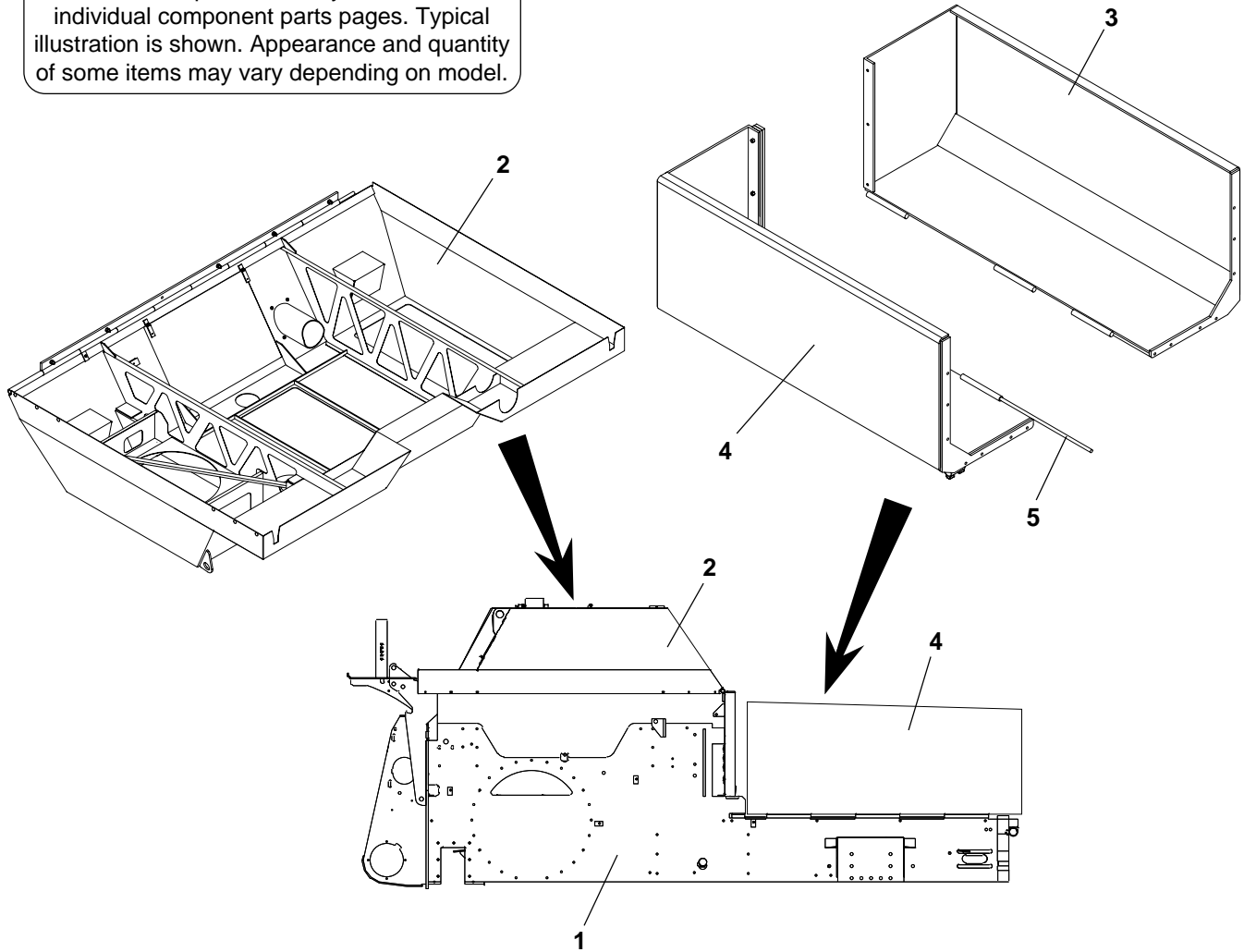
Main Frame Parts

Parts List No. 5032ADY

Ref. No.	Part Number	Description	Quantity
1	Reference Only	See Frame, Hood and Hopper Kit - Following Page	1
2	9704-012-36	Buffer Plate	2
3	{ 7072-149	Carriage Bolt 5/8" NC x 2"	8
	{ 7014-022	Washer, 5/8"	8
	{ 7014-007	Washer, 5/8" Lock	8
	{ 7012-029	Hex Nut, 5/8" NC	8
4	{ 45890-252-29	Capscrew, 3/8" NC x 2-1/2"	4
	{ 45890-100-50	Nut, Coupling-3/8NC x 1/2N	4
5	7509-009	Hose Clamp, 1-1/8"	2
6	7056-011	Wing Nut, 3/8" NC	4
7	{ 7072-103	Carriage Bolt, 1/2"NC x 2"	4
	{ 7012-027	Hex Nut 1/2" NC	4
8	{ 7383-100	Capscrew, 5/8" NC X 1-1/2"	6
	{ 7014-007	Washer, 5/8" Lock	6
	{ 7014-022	Washer, 5/8"	6
9	7509-002	Clamp, 3/8" (not shown)	2
10	7509-010	Hose Clamp, 1-1/4" (not shown)	4
11	7509-004	Hose Clamp, 5/8" (not shown)	2
12	9704-453-37	Grating, L.H.	1
13	9704-011-74	Retainer, Grate	5
14	{ 9704-905-03	Plate, Bearing	1
	{ 7014-020	Washer, 1/2"	12
15	9704-012-94	Plate, Retaining	2
16	{ 46270-252-12	Light, Tail	2
	{ 46320-001-06	Strap	4
17	{ 9704-451-40	Collar, Seat Height	2
	{ 9704-451-41	Pin, Seat	2
	{ 45890-800-19	Hair Pin, 1-7/8"	2
18	9704-013-80	Support, Electrical Box	1
19	9704-451-67	Railing, Left Hand	1
20	9704-453-58	Railing, Right Hand	1
21	7072-104	Carriage Bolt, 1/2" NC x 2-1/2"	1
22	{ 7014-005	Lockwasher, 1/2"	6
	{ 7012-027	Hex Nut, 1/2" NC	6
	{ 7383-069	Capscrew, 1/2" NC x 1-1/4"	6
23	9704-453-38	Grating, R.H.	1
24	7072-106	Carriage Bolt, 1/2" NC x 3-1/2"	1
25	5032-201-75	Support, Cable	4
26	{ 7383-038	Capscrew, 3/8" NC x 1"	2
	{ 7014-003	Lockwasher, 3/8"	6
	{ 7012-025	Hex Nut, 3/8" NC	2
27	{ 7014-005	Lockwasher, 1/2"	9
	{ 7012-027	Hex Nut, 1/2" NC	9
	{ 7072-101	Carriage Bolt, 1/2" NC x 1-1/4"	7

Frame, Hood & Hopper Kit

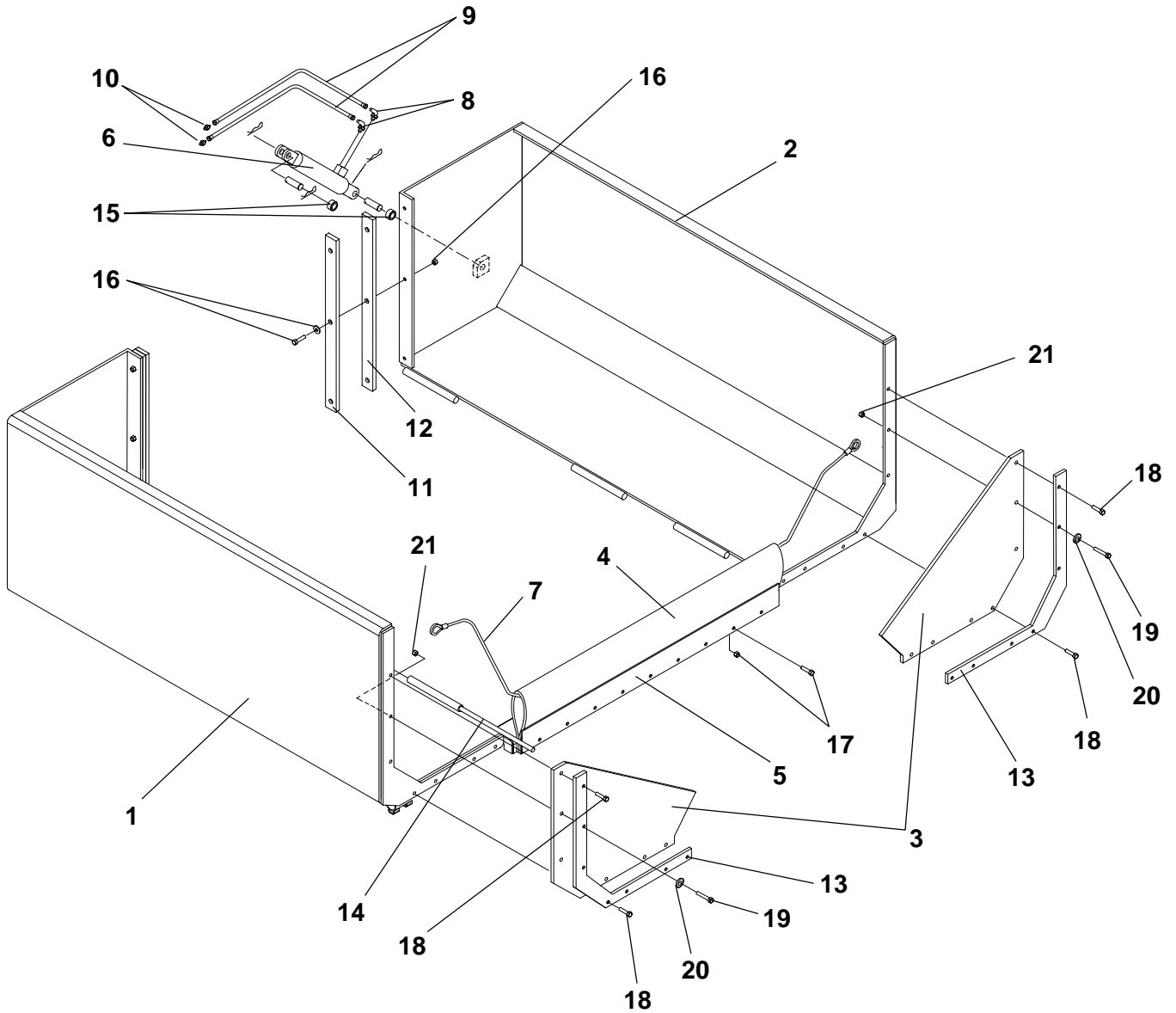
NOTE: The items shown are ordered by the factory as a kit for assembly purposes. They are identical to parts that may be listed on the individual component parts pages. Typical illustration is shown. Appearance and quantity of some items may vary depending on model.



Ref. No.	Part Number	Description	Quantity
-	9704-014-69	Main Frame Kit - 500 Slat Pavers (05032ADY)	-
-	9704-014-70	Main Frame Kit - 500 Remix Pavers (05032ADZ)	-
1	9704-015-41	Frame, Main - All 500 Series Pavers	1
2	9704-322-38	Hood, 400/500 Series Tier II Pavers	1
3	9704-013-47	Hopper Wing, Left Hand - All 500 Series Pavers	1
4	9704-013-48	Hopper Wing, Right Hand - All 500 Series Pavers	1
5	9704-013-65	Hinge Rod, 3/4" Hopper Wing	2
6	* 9704-802-04	Frame Rework - Removes conveyor deck rear portion on Remix	-

* This is a Reference Drawing Only - Not Shown on Illustration

Hopper Wings





Hopper Wings

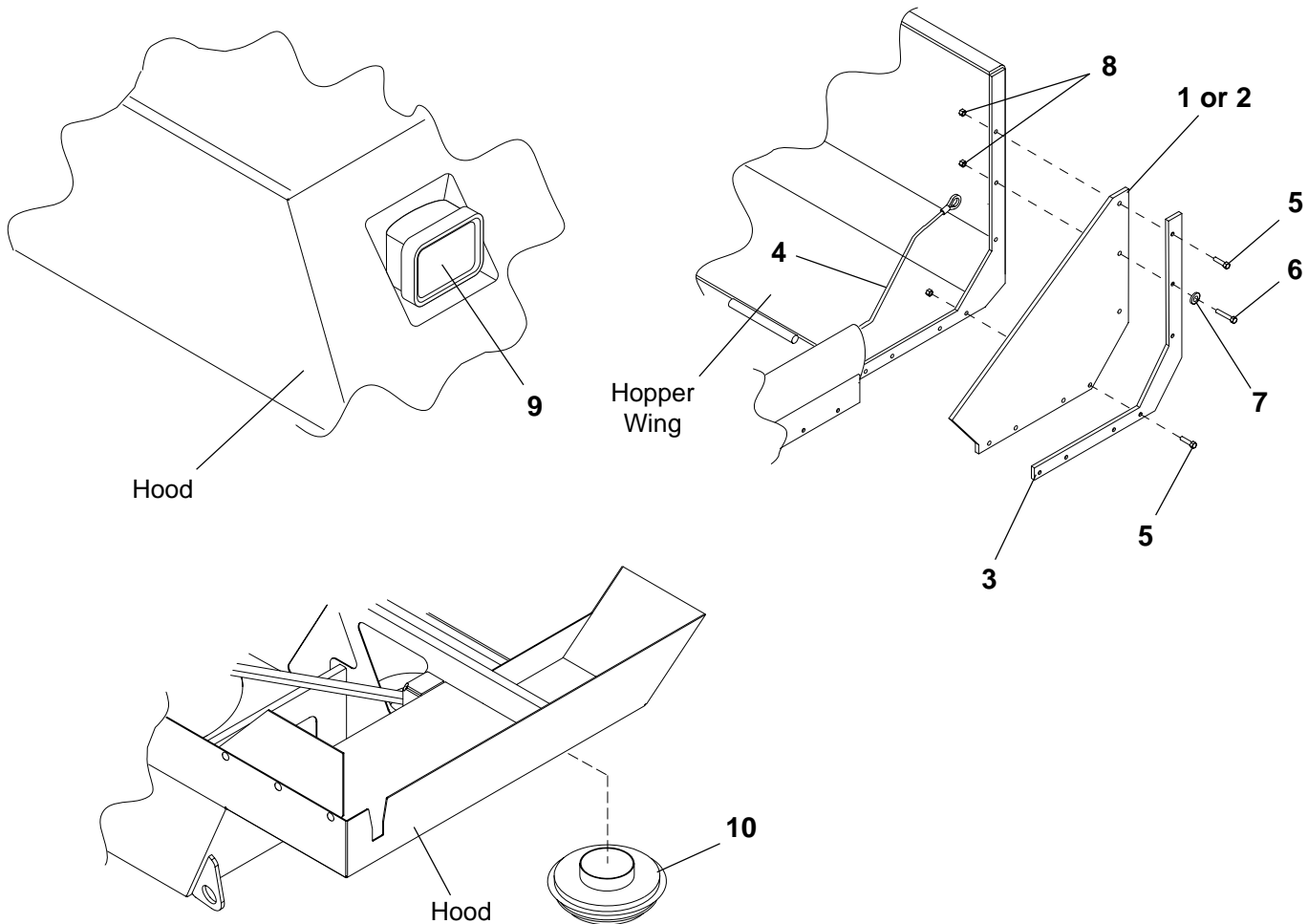
Parts List No. 5032ACU

Ref. No.	Part Number	Description	Quantity
1	9704-013-48	Wing, Right Hand Hopper - 500 Series	1
2	9704-013-47	Wing, Left Hand Hopper - 500 Series	1
3	Reference	Guard, Corner - See Miscellaneous Paver Parts	-
4	9704-010-85	Flashing, Front Lip	1
5	9704-009-15	Flat, Flashing Clamp	1
6	45090-007-85	*Cylinder, Hydraulic	2
	45090-007-85-01	Seal Kit (For above cylinder)	As Req
7	Reference Only	Cable - See Miscellaneous Paver Parts	-
8	7430-275	Elbow, 90° 3/8" - with O-Ring	4
	45259-508-13	O-Ring (For above fitting)	As Req
9	7651-021-33-01	Hose Assembly, Hopper Cylinder	4
10	7430-385	Fitting, 1/2" Bulkhead	2
11	9704-010-15	Clamp, Seal	2
12	9704-010-18	Wiper, Seal	2
13	Reference Only	Clamp, Guard - See Miscellaneous Paver Parts	-
14	9704-013-65	Rod, Hinge	2
15	45134-011-01	Bushing, 1"	4
16	{ 7383-070	Capscrew, 1/2" NC x 1-1/2"	4
	{ 7014-020	Washer, 1/2"	4
17	{ 7383-071	Capscrew, 1/2" NC x 1-3/4"	9
	{ 45890-102-28	Locknut, 1/2" NC	9
18	Reference Only	Carriage Bolt - See Miscellaneous Paver Parts	-
19	Reference Only	Carriage Bolt - See Miscellaneous Paver Parts	-
20	Reference Only	Washer - See Miscellaneous Paver Parts	-
21	Reference Only	Locknut - See Miscellaneous Paver Parts	-

*NOTE: Pins and clips are furnished with cylinder.

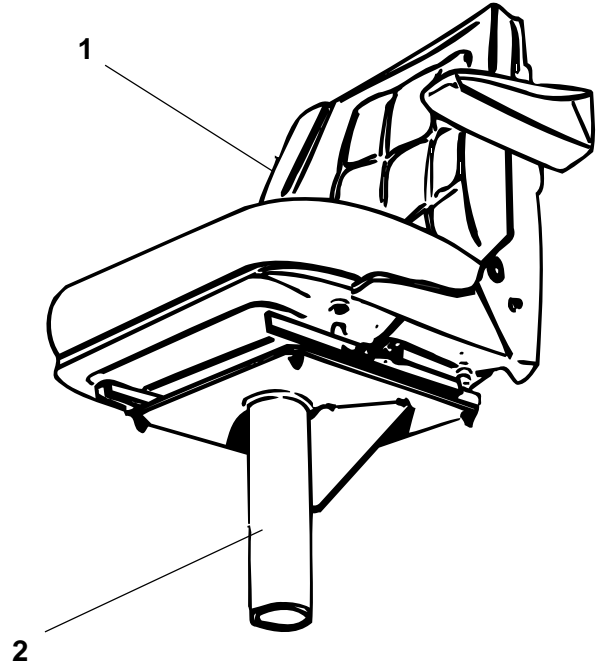
Miscellaneous Paver Parts

Parts List No. 5032KAW



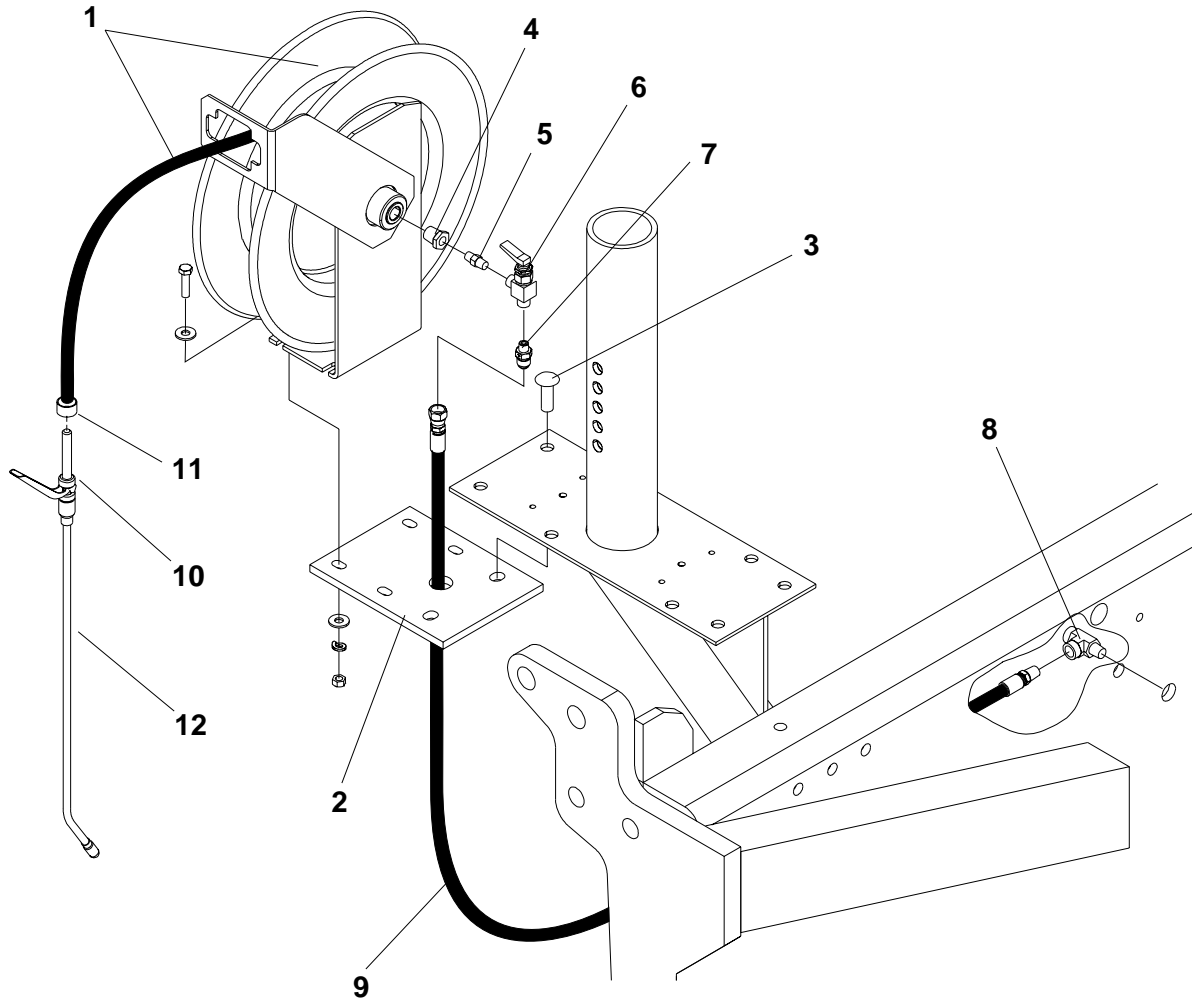
Ref. No.	Part Number	Description	Quantity
1	9704-009-92	Guard, Corner (Only supplied on Slat Models)	2
2	9704-013-39	Guard, Corner (Only supplied on Remix Models)	2
3	9704-010-27	Clamp, Guard	2
4	9704-007-26	Cable, Hopper - 118" (Only supplied on Slat Models)	1
5	7072-103	Carriage Bolt, 1/2" NC x 2"	12
6	7072-105	Carriage Bolt, 1/2" NC x 3"	2
7	9700-459	Washer (Only supplied on Slat Models)	2
8	45890-102-28	Locknut, 1/2" NC	14
9	46270-005-08	Light, Utility - 12.8V	2
10	45690-001-32-04	Air Cleaner, Hood Inlet	1
11	41733-003-01	Gasket, 1" x 3/8" (Not Shown on Illustration)	14'
12	9704-318-37	Grill, Radiator (Not Shown on Illustration)	1
<u>The following item is not supplied on all units - Not Shown on Illustration</u>			
13	45710-003-09	Stack, Exhaust 6" x 36" (5032KAW & 5032KAX Only)	1

Operators Seat



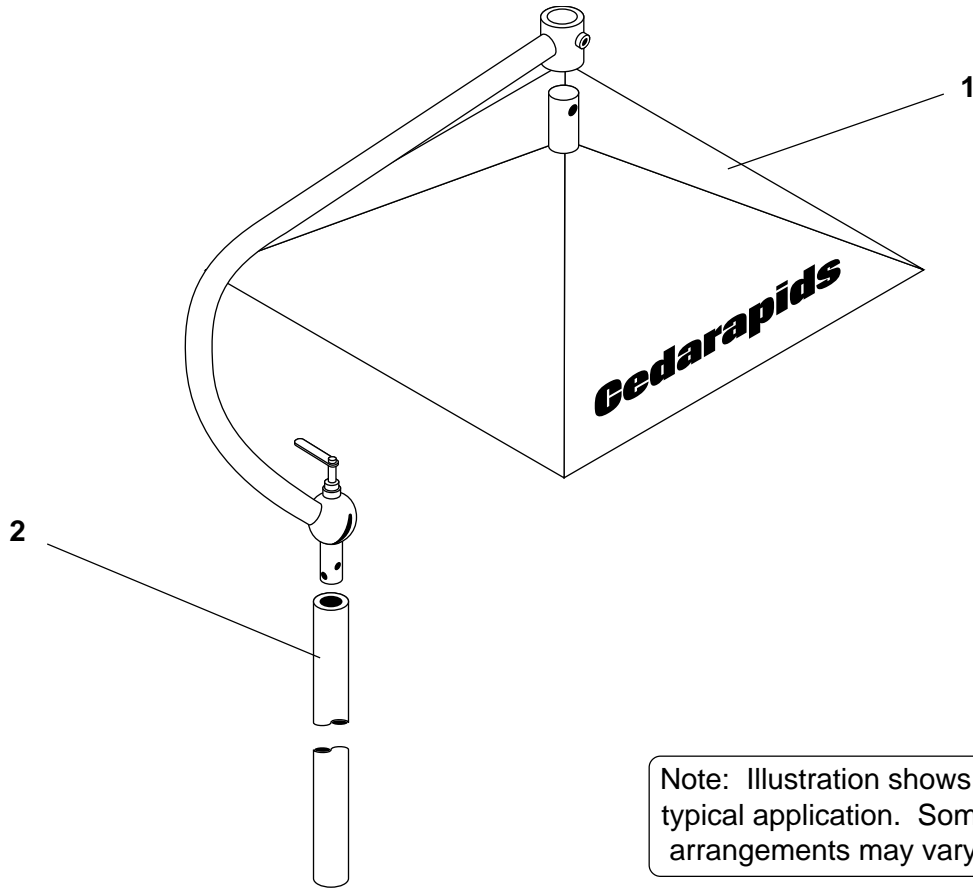
Ref. No.	Part Number	Description	Quantity
1	45037-001-07	Seat, Operators (<i>complete</i>)	As Req
2	9704-451-38	Pedestal, Seat	As Req

Spraydown Hose Reel



Ref. No.	Part Number	Description	Quantity
1	45191-007-29	Reel, Hose (with 30' of hose)	1
2	9704-452-79	Plate, Mounting	1
3	7072-102	Carriage Bolt, 1/2" x 1-1/2"	2
4	45720-769-03	Bushing	1
5	45720-770-54	Nipple, 1/8" Parker	1
6	45252-004-64	Valve, Shutoff	1
7	7430-043	Connector, 1/8" x 3/8"	1
8	45720-775-38	Tee, 1/4" Run	1
9	7650-040-13-01	Hose Assembly, Reel to Bulkhead	1
10	45251-001-76	Valve, Spraydown Nozzle	1
11	45191-004-34	Clamp, Hose	1
12	45251-006-05	Nozzle Extension	1

Umbrella



Note: Illustration shows a typical application. Some arrangements may vary.

Ref. No.	Part Number	Description	Quantity
1	9704-951-19	Umbrella - Assembly	1
2	7383-068	Capscrew, 1/2" NC x 1"	4
	7012-027	Nut, Hex 1/2" NC	4
	7014-005	Lockwasher	4
3	* 5036VK03	Bracket, Umbrella (Not Shown)	1

* Item 3 is used on Eng Bom 05046YUB only. And applies to older Pavers.

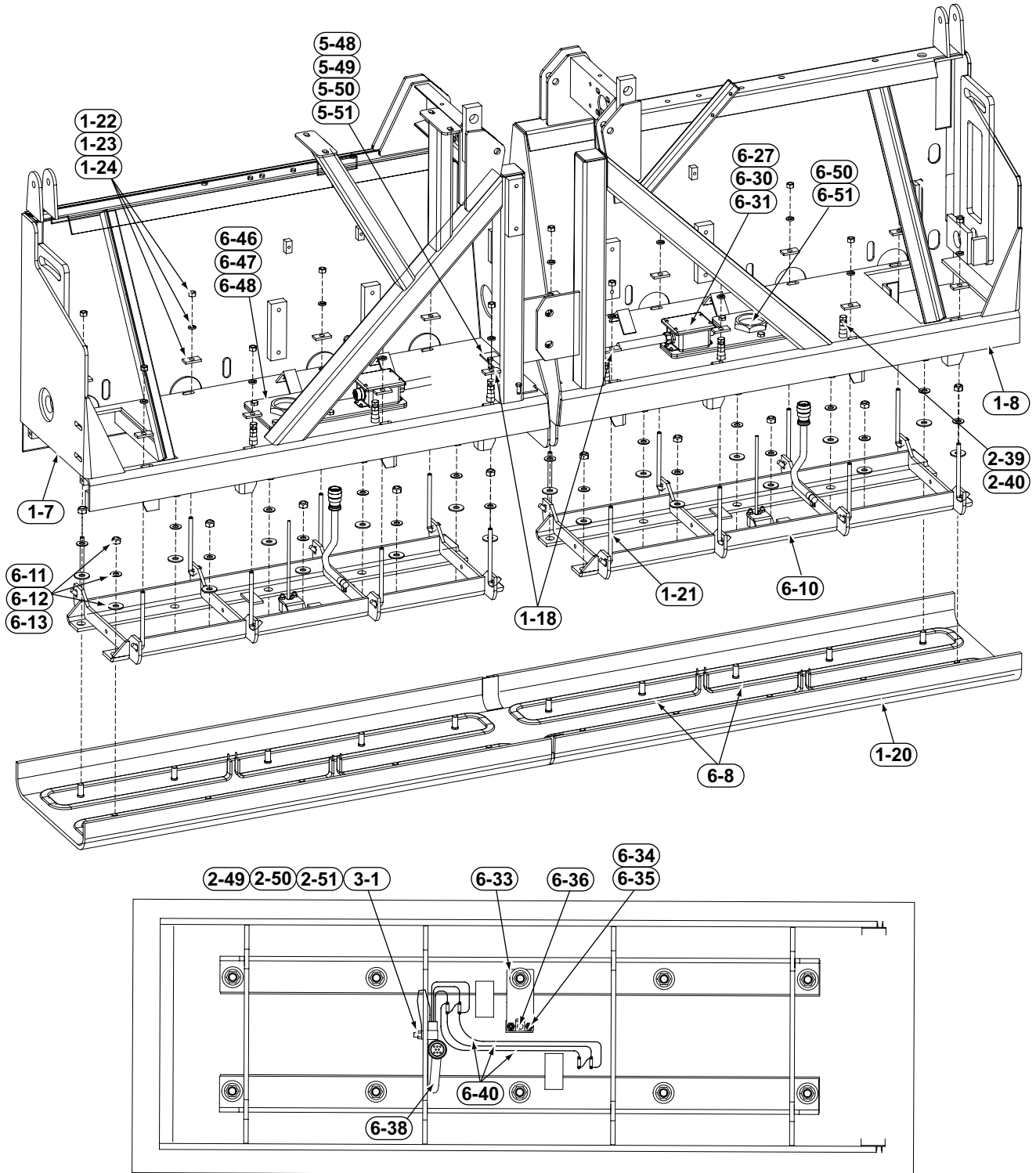
**Return to Table
of Contents Page**

Table of Contents
Basic Stretch 20 Electric Screed - 05037PRJ

Ref No.	Description	Page No.
<u>1</u>	<u>Front Screed and Bottom - Illustration</u>	<u>2</u>
<u>2</u>	<u>Front Screed and Bottom - Parts List</u>	<u>3</u>
<u>3</u>	<u>Front Screed Strikeplate & Crowning Parts - Illustration</u>	<u>4</u>
<u>4</u>	<u>Front Screed Strikeplate & Crowning Parts - Parts List</u>	<u>5</u>
<u>3</u>	<u>Extension Crowning Frames - Illustration</u>	<u>6</u>
<u>4</u>	<u>Extension Crowning Frames - Parts List</u>	<u>7-8</u>
<u>5</u>	<u>Vertical Adjusting Parts - Illustration</u>	<u>9</u>
<u>6</u>	<u>Vertical Adjusting Parts - Parts List</u>	<u>10</u>
<u>7</u>	<u>Rear Extending Screed Frame & Bottom - Illustration</u>	<u>11</u>
<u>8</u>	<u>Rear Extending Screed Frame & Bottom - Parts List</u>	<u>12-13</u>
<u>9</u>	<u>Hydraulic Cylinder - Part No. 45090-007-94</u>	<u>14</u>
<u>10</u>	<u>Pull Arm Components - Illustration</u>	<u>15</u>
<u>11</u>	<u>Pull Arm Components - Parts List</u>	<u>16</u>

Return to Table
of Contents Page

Front Screenshot and Bottom



**Return to Table
of Contents Page**



Front Screed and Bottom

Parts List No. 5037PRJ

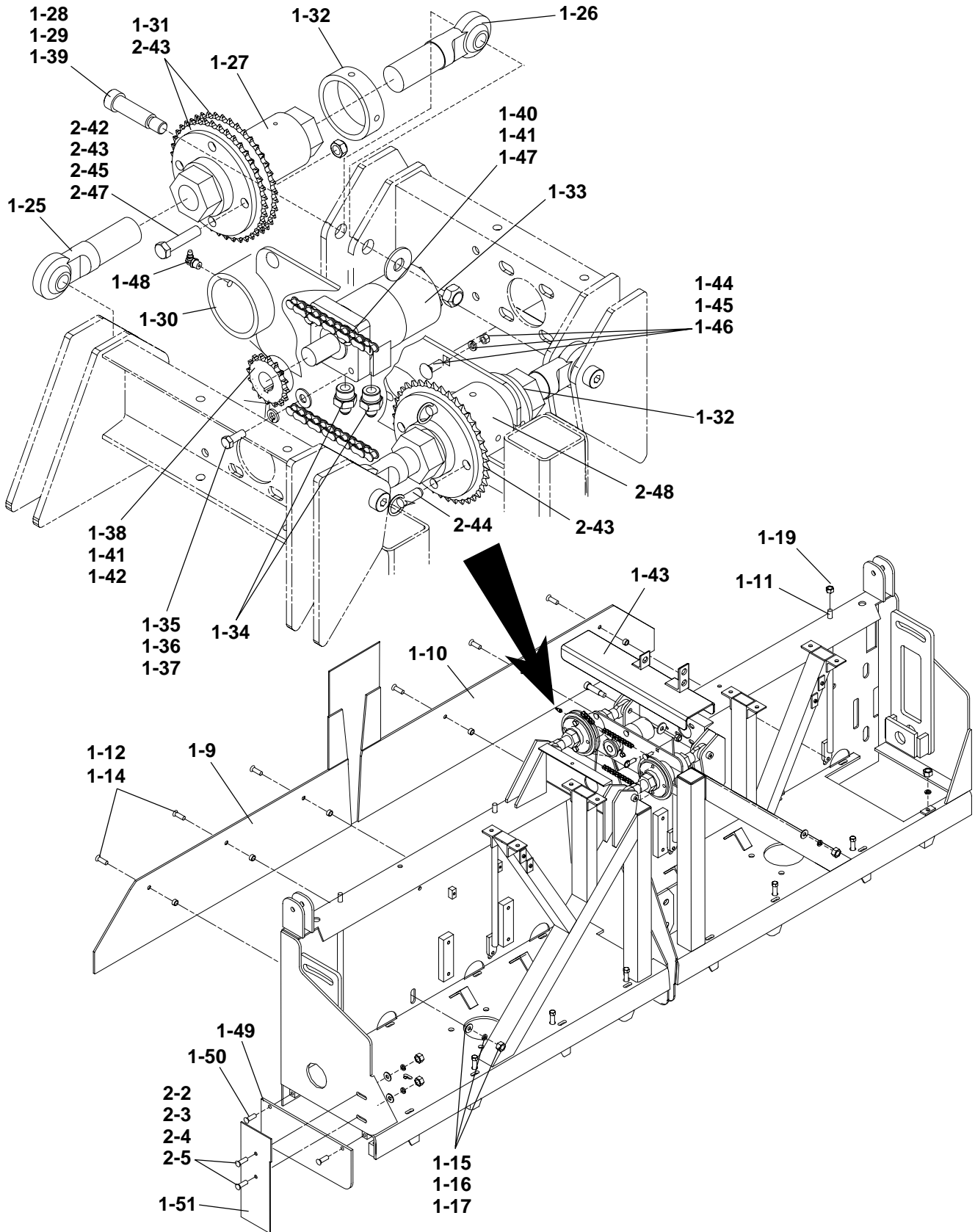
Ref. No.	Part Number	Description	Quantity
1-7	9704-575-63	Frame, LH Front Screed	1
1-8	9704-575-64	Frame, RH Front Screed	1
1-18	9704-585-75	Flat, Hook Bolt	2
1-20	9704-584-11	Plate, Front Screed, S20	1
1-21	4445-408-06-04	Hook Bolt, 1/2" NC x 6"	16
1-22	9704-555-10	Flat, Hook Bolt	14
1-23	7014-005	Washer, 1/2" Lock	16
1-24	7012-027	Hex Nut, 1/2" NC	16
2-39	7285-018	Adjustment Bolt, 1/2" NC x 6 1/4"	6
2-40	7017-027	Hex Nut, 1/2" NC Jam	6
2-49	7509-006	Clamp	2
2-50	7383-039	Capscrew, 3/8" NC x 1 1/4"	2
2-51	7014-003	Lockwasher, 3/8"	2
3-1	7012-025	Hex Nut, 3/9" NC	2
5-48	9704-584-83	Cover, Air Vent Main Screed	2
5-49	7383-038	Capscrew, 3/8" NC x 1"	4
5-50	7014-003	Washer, 3/8" Lock	4
5-51	7012-025	Hex Nut, 3/8" NC	4
6-8	46055-001-43	Element Heating 2.25KW 208v	4
6-10	9704-584-08	Subframe S20 Screed Bottom	2
6-11	7014-022	Washer, 5/8"	20
6-12	7097-013	Washer, 5/8" SAE	20
6-13	45890-102-29	Locknut, 5/8" NC	20
6-27	9704-611-56	Main Heat Junction Box,	2
6-30	7435-095	Machine Screw, #10 NC x 1/2"	8
6-31	7439-003	Washer, #10 LK	8
6-33	9704-584-33	Clamp, Temperature Sensor	2
6-34	7131-080	Set Screw, 3/8" NC x 1" C	4
6-35	7017-025	Hex Nut, 3/8" NC Jam	4
6-36	46055-003-07	Sensor, Temp PT 100	2
6-38	9704-616-41	Cable, Heater	2
6-40	9704-616-68	Wire, 14" Jumper	6
6-46	9704-586-71	Plate, Mounting - Junction Box	4
6-47	7383-038	Capscrew, 3/8" x 1"	16
6-48	7014-003	Lockwasher, 3/8"	16
6-50	46026-019-06	Nipple, 2" Chase	4
6-51	46026-016-06	Locknut, 2"	4

Note: Certain Major Components are Available in Kit Form.

**Return to Table
of Contents Page**



Front Screenshot Strikeplate & Crowning Parts



**Return to Table
of Contents Page**



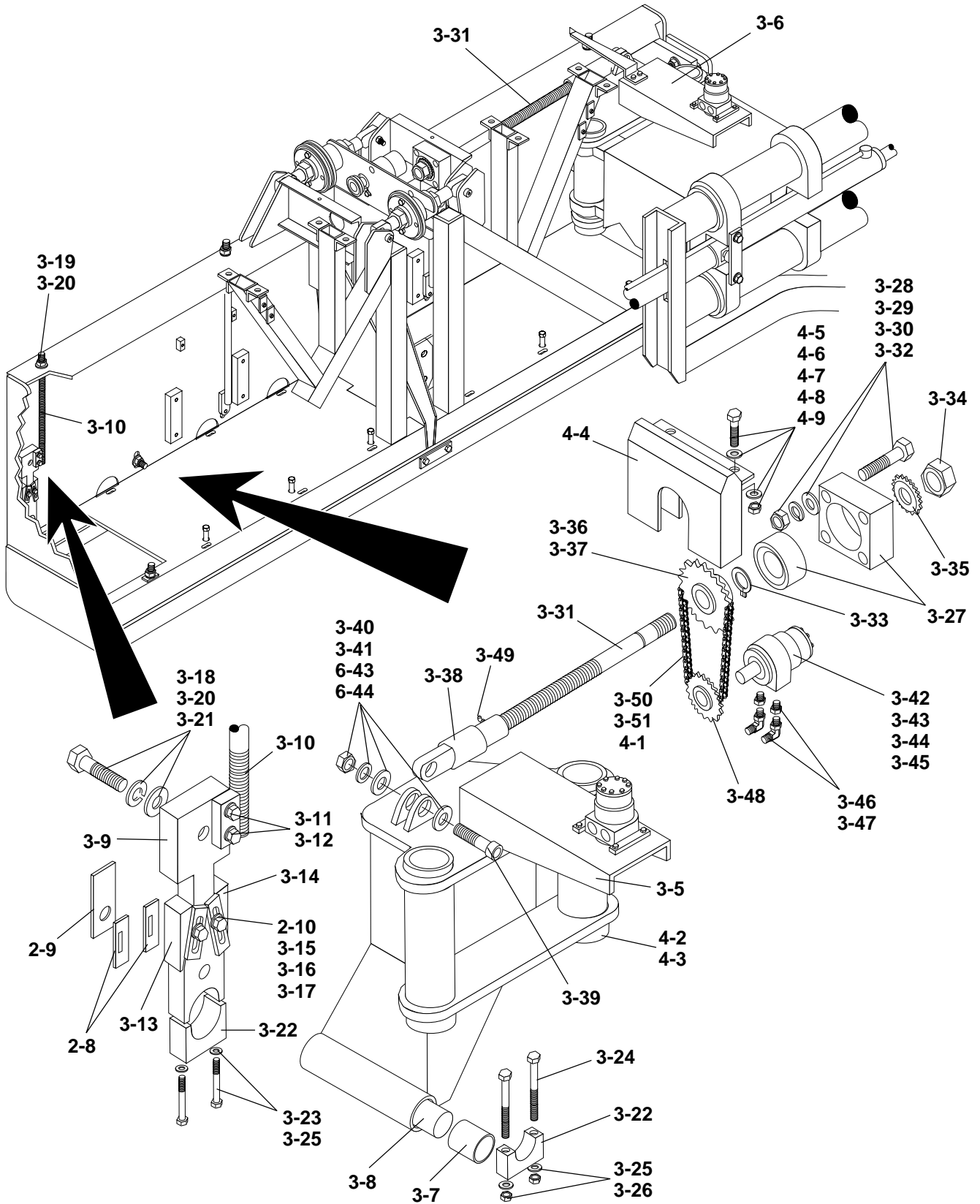
Front Screed Strikeplate & Crowning Parts

Parts List No 5037PRJ

Ref. No.	Part Number	Description	Quantity
1-9	9704-554-32	Front Strike Off - Left Hand	1
1-10	9704-554-33	Front Strike Off - Right Hand	1
1-11	9704-554-31	Plate, Strike Off Adjusting	4
1-12	9704-555-07	Spacer, Standoff	6
1-14	7389-046	Capscrew, Sockethead 1/2" x 1-1/2"	6
1-15	7014-020	Washer, 1/2"	2
1-16	7014-005	Lockwasher, 1/2"	2
1-17	7012-027	Hex Nut, 1/2"	2
1-19	7012-029	Hex Nut, 5/8"	8
1-25	9704-561-15	Rod End, Left Hand Thread	2
1-26	9704-561-14	Rod End, Right Hand Thread	2
1-27	9704-567-32	Turnbuckle	2
1-28	7455-018	Shoulder Screw	4
1-29	7014-022	Washer	4
1-30	9704-569-28	Frame, Crown Chain	1
1-31	7453-603	Washer, 3/4" Bellville	16
1-32	4460-214-01	Collar, Shaft	2
1-33	45080-006-01	Motor, Hydraulic	1
1-34	7430-373	Connector, 3/8" x 7/8" with O-Ring	2
	45259-508-71	O-Ring (For above fitting)	As Req
1-35	7383-038	Capscrew, 3/8" NC x 1"	4
1-36	7014-003	Lockwasher, 3/8"	4
1-37	7014-018	Washer, 3/8"	4
1-38	45065-003-53	Sprocket	1
1-39	45890-102-33	Hex Nut, Gripco	4
1-40	50005-020	Chain	4.6'
1-41	50005-020-03	Link, #40 Connector	2
1-42	50005-020	Chain	3'
1-43	9704-583-43	Guard, Chain	1
1-44	7072-052	Carriage Bolt, 3/8" x 1"	3
1-45	7014-003	Lockwasher, 3/8"	3
1-46	7012-025	Nut, Hex 3/8" NC	3
1-47	50005-020-01	Link, #40 Offset	1
1-48	7051-004	Fitting, 90° Grease 1/8"	1
1-49	9704-556-24	Plate, Screed End	2
1-50	7389-046	Capscrew, 1/2" NC x 1-1/2" Sockethead	4
1-51	9704-573-16	Plate, Seal - Left and Right Hand	2
2-2	7389-046	Capscrew, Sockethead 1/2" x 1-1/2"	4
2-3	7014-020	Washer, 1/2"	4
2-4	7014-005	Lockwasher, 1/2"	4
2-5	7012-027	Hex Nut, 1/2"	4
2-42	7014-020	Washer, 1/2" (5 Washers Between Sprockets)	20
2-43	1383A40D	Sprocket	3
2-44	45890-750-08	Pin, Quick Release	2
2-45	7383-073	Capscrew, 1/2" NC x 2-1/4"	4
2-47	45890-102-28	Locknut, 1/2" NC	4
2-48	4460-214-02	Collar, Shaft	1

**Return to Table
of Contents Page**

Extension Crowning Frames



**Return to Table
of Contents Page**



Extension Crowning Frames

Parts List No. 5037PRJ

Ref. No.	Part Number	Description	Quantity
2-8	9704-560-17	Cover, Wedge	4
2-9	9704-560-18	Flat, Holder	2
2-10	46005-503-04	Washer, Reducing	4
3-5	9704-576-58	Frame, Crowning - Left Hand	1
3-6	9704-576-59	Frame, Crowning - Right Hand	1
3-7	7254-019	Bearing, 2-5/16"	4
3-8	41218-018-02	Shaft, Pivot	2
3-9	9704-559-08	Plate, Adjusting	2
3-10	9704-559-09	Rod, Push	2
3-11	7383-119	Capscrew, 3/4" NC x 2-1/4"	4
3-12	7014-009	Lockwasher, 3/4"	4
3-13	9704-559-11	Wedge, Left Hand	2
3-14	9704-559-12	Wedge, Right Hand	2
3-15	7383-069	Capscrew, 1/2" NC x 1-1/4"	4
3-16	7014-020	Washer, 1/2"	4
3-17	7014-005	Lockwasher, 1/2"	4
3-18	7383-152	Capscrew, 1" NC x 2"	4
3-19	7012-032	Nut, Hex 1" NC	4
3-20	7014-025	Washer, 1"	8
3-21	7014-011	Lockwasher, 1"	4
3-22	9704-554-51	Flat, End Cap	4
3-23	7383-106	Capscrew, 5/8" NC x 3"	4
3-24	7383-114	Capscrew, 5/8" NC x 5"	4
3-25	7014-007	Lockwasher, 5/8"	8
3-26	7012-029	Nut, Hex 5/8" NC	4
3-27	4431-721-02	Bearing - Complete	2
	4431-721-01	Housing, Bearing	As Req
	7041-026	Bearing, Ball	As Req
	7051-001	Grease Fitting, 1/8"	2
3-28	7383-077	Capscrew, 1/2" NC x 3-1/4"	8
3-29	7014-005	Lockwasher, 1/2"	8
3-30	7012-027	Nut, Hex 1/2"	8
3-31	9704-565-70	Shaft, Slope	2
3-32	7014-020	Washer, 1/2"	8
3-33	7253-040	Ring, Snap	2
3-34	7030-008	Locknut, SKF 1.3399"	2
3-35	7033-008	Lockwasher, SKF 1.407"	2
3-36	1383A30C	Sprocket	2
3-37	7238-170	Pin, Roll	2
3-38	9704-565-64	Link, Right Hand Threads	2
3-39	7455-018	Shoulder Screw, 3/4" x 2-1/4"	2
3-40	7014-022	Washer, 5/8"	2
3-41	45890-102-33	Hex Nut, 5/8" Lock	2
3-42	45080-006-01	Motor, Hydraulic	2

- Continued -

**Return to Table
of Contents Page**



Extension Crowning Frames

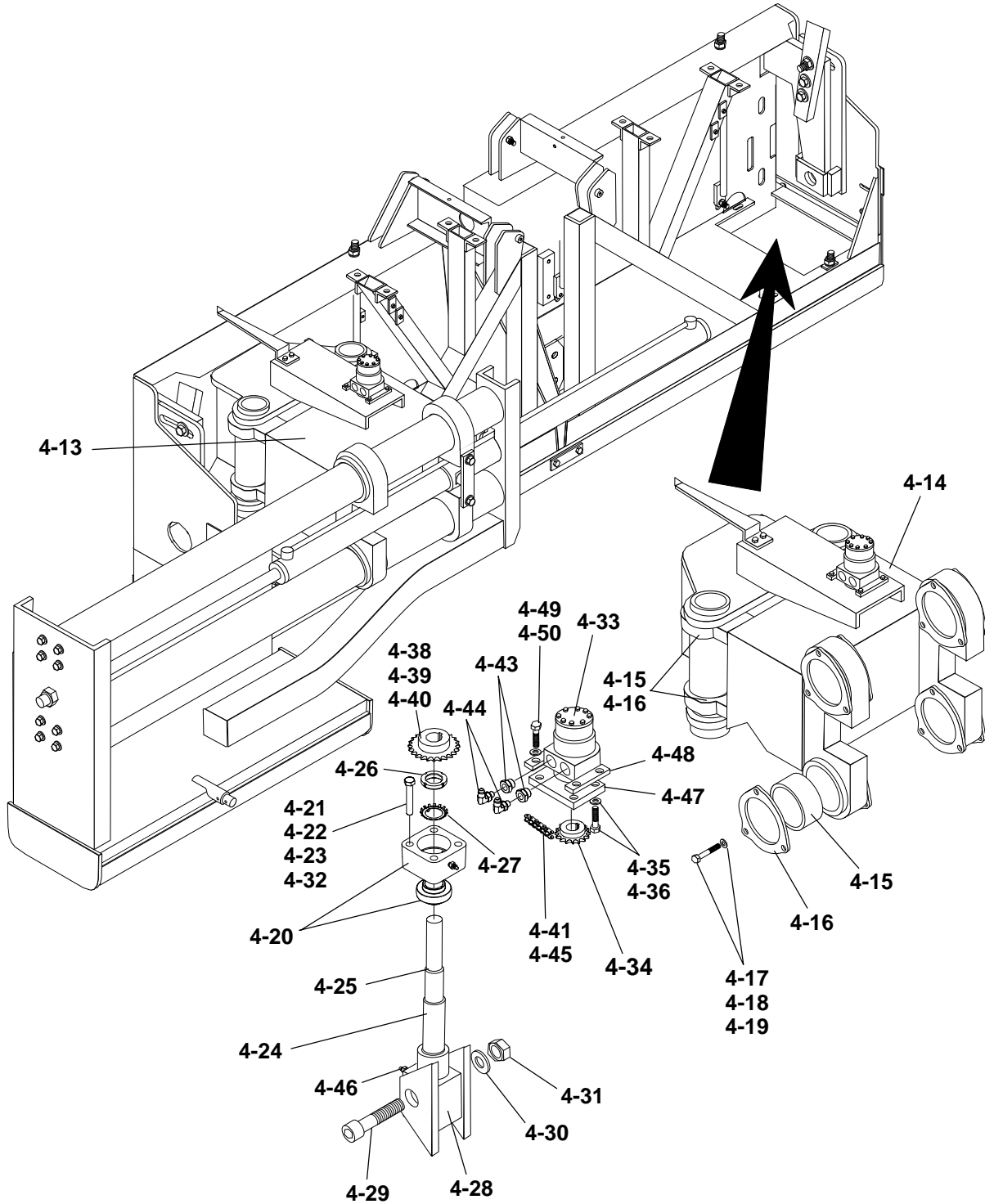
Parts List No 5037PRJ

Ref. No.	Part Number	Description	Quantity
3-43	7383-038	Capscrew, 3/8" NC x 1"	8
3-44	7014-003	Lockwasher, 3/8"	8
3-45	7014-018	Washer, 3/8" Flat	8
3-46	45720-775-56	Reducer Fitting	4
3-47	7430-275	Elbow, 90° 9/16" x 3/8" - with O-Ring	4
	45259-508-13	O-Ring, 9/16" (For above Fitting)	AsReq
3-48	45065-003-53	Sprocket	2
3-49	7051-002	Fitting, 45° Grease 1/8"	2
3-50	50005-020-01	Link, #40 Offset	2
3-51	50005-020	Chain	5.0'
4-1	50005-020-03	Coupler, #40 Offset	2
4-2	9704-576-22	Tube, Vertical	4
4-3	7253-084	Ring, Snap	8
4-4	9704-586-67	Guard, Chain	2
4-5	7383-042	Capscrew, 3/8" NC x 2"	2
4-6	7022-001	Washer, 3/8" Bevel	2
4-7	7014-003	Lockwasher, 3/8"	2
4-8	7012-025	Nut, Hex 3/8"	2
4-9	7014-018	Washer, 3/8"	7
6-43	7097-015	Washer, 3/4" SAE	4
6-44	7097-013	Washer, 5/8" SAE	2

Note: Certain Major Components are Available in Kit Form.

Return to Table
of Contents Page

Vertical Adjusting Parts



**Return to Table
of Contents Page**



Vertical Adjusting Parts

Parts List No. 5037PRJ

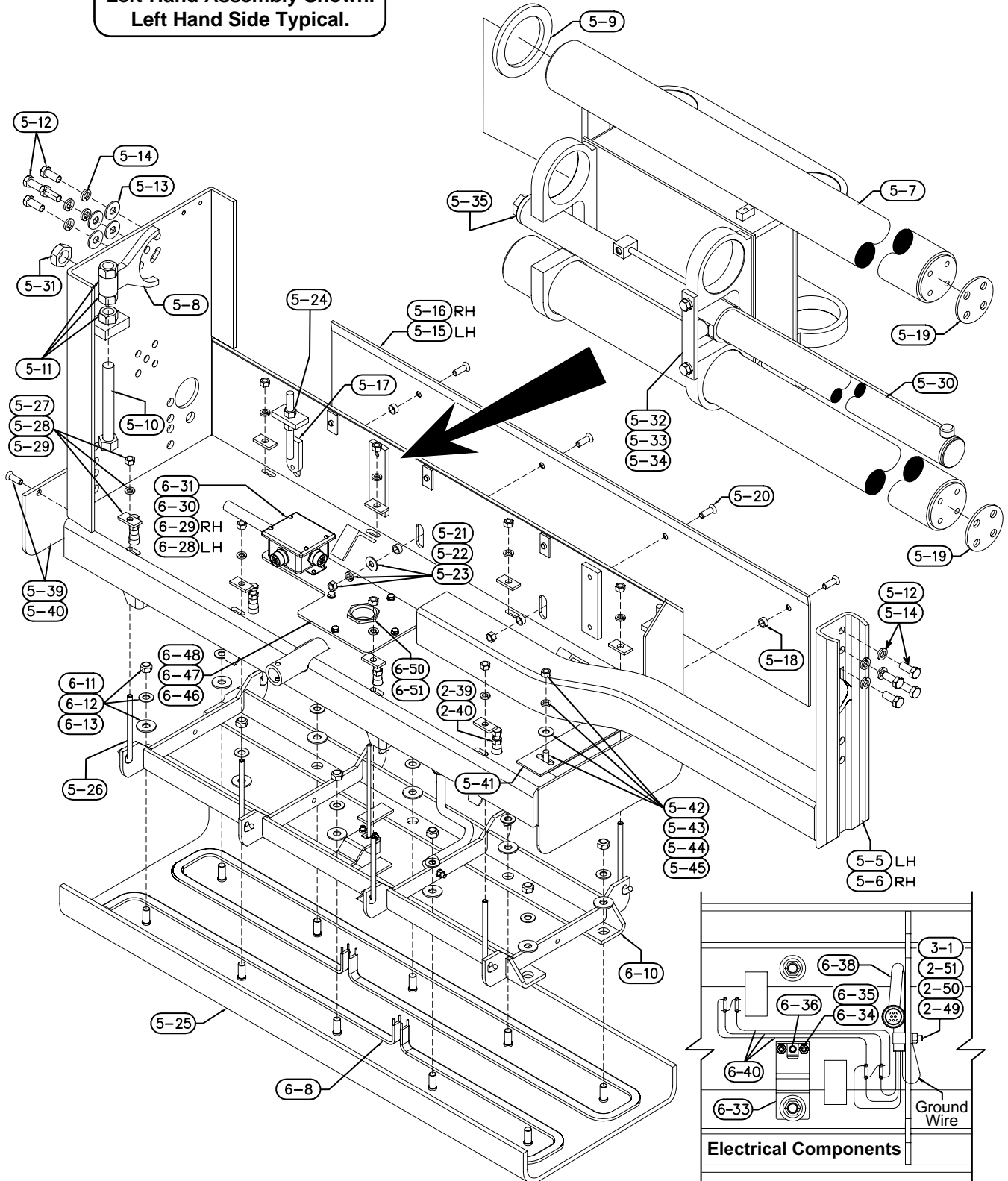
Ref. No.	Part Number	Description	Quantity
4-13	9704-565-12	Frame, Left Hand	1
4-14	9704-565-10	Frame, Right Hand	1
4-15	45134-003-05	Bearing	16
4-16	9704-557-45	Bearing, Retainer	32
4-17	7383-011	Capscrew, 1/4" NC x 2-1/4"	48
4-18	7014-001	Lockwasher, 1/4"	48
4-19	7012-023	Hex Nut, 1/4" NC	48
4-20	4431-721-02	Bearing - Complete	2
	4431-721-01	Housing, Bearing	2
	7041-026	Ball Bearing	2
	7051-001	Grease Fitting, 1/8"	2
4-21	7383-078	Capscrew, 1/2" NC x 3-1/2"	8
4-22	7014-005	Lockwasher, 1/2"	8
4-23	7012-027	Hex Nut, 1/2" NC	8
4-24	9704-565-68	Shaft, Vertical Adjusting	2
4-25	7253-040	Ring, Retaining	2
4-26	7030-008	Locknut, SKF 1.3399"	2
4-27	7033-008	Lockwasher, SKF 1.407"	2
4-28	9704-565-62	Link, Right Hand ACME	2
4-29	7455-018	Shoulder Screw, 3/4" NC x 2-1/4"	2
4-30	7014-022	Washer, 5/8"	2
4-31	45890-102-33	Hex Nut, 5/8" Lock	2
4-32	7014-020	Washer, 1/2"	8
4-33	45080-006-01	Motor, Hydraulic	2
4-34	45065-003-53	Sprocket	2
4-35	7383-038	Capscrew, 3/8" NC x 1"	8
4-36	7014-003	Lockwasher, 3/8"	8
4-38	1383A40B	Sprocket	2
4-39	40801-001-50	Key, 5/16" x 5/16" x 1-1/2"	2
4-40	7131-052	Set Screw, 1/4" NC x 3/4"	4
4-41	50005-020	Chain	6.4'
4-43	45720-775-56	Reducer Fitting	4
4-44	7430-313	Elbow, 45° 9/16" x 3/8" - with O-Ring	4
	45259-508-13	O-Ring, 9/16" (For above fitting)	As Req
4-45	50005-020-03	Link, #40 Connector	2
4-46	7051-004	Grease Fitting, 90° 1/8"	2
4-47	9704-576-05	Mount, Match Height	2
4-48	9704-563-53	Clamp, Flat	4
4-49	7383-039	Capscrew, 3/8" NC x 1-1/4"	8
4-50	7014-003	Lockwasher, 3/8"	8

Note: Certain Major Components are Available in Kit Form.

Return to Table
of Contents Page

Rear Extending Screed Frame & Bottom

Left-Hand Assembly Shown.
Left Hand Side Typical.



**Return to Table
of Contents Page**



Rear Extending Screed Frame & Bottom

Parts List No 5037PRJ

Ref. No.	Part Number	Description	Quantity
2-39	7285-018	Adjusting Bolt, 1/2" NC x 6-1/4"	8
2-40	7012-027	Hex Nut, 1/2"	8
2-49	7509-006	Clamp	2
2-50	7383-039	Capscrew, 3/8" NC x 1-1/4"	2
2-51	7014-003	Lockwasher, 3/8"	2
3-1	7012-025	Hex Nut, 3/8" NC	2
5-5	9704-575-79	Frame, Screed - Left Hand Rear Extension	1
5-6	9704-575-78	Frame, Screed - Right Hand Rear Extension (Not Shown)	1
5-7	9704-576-21	Tube, Extension	4
5-8	9704-557-59	Collar, Tube	2
5-9	9704-576-62	Collar, Frame	2
5-10	7152-025	Bolt, Adjusting, 1" NC x 8"	2
5-11	7012-032	Hex Nut, 1" NC	8
5-12	7383-100	Capscrew, 5/8" NC x 1-1/2"	32
5-13	7014-022	Washer, 5/8"	8
5-14	7014-007	Lockwasher, 5/8"	32
5-15	9704-554-96	Plate, Strike Off - Rear Left Hand	1
5-16	9704-554-97	Plate, Strike Off - Rear Right Hand (Not Shown)	1
5-17	9704-554-34	Plate, Adjusting	4
5-18	9704-555-07	Spacer, Standoff	8
5-19	9704-575-10	Spacer	4
5-20	7389-046	Capscrew, 1/2" NC x 1-1/2" - Sockethead	8
5-21	7014-020	Washer, 1/2"	4
5-22	7014-005	Lockwasher, 1/2"	4
5-23	7012-027	Hex Nut, 1/2" NC	4
5-24	7012-029	Hex Nut, 5/8" NC	8
5-25	9704-584-12	Plate, Rear Screed Bottom S-20	2
5-26	4445-408-06-04	Hook Bolt 1/2" NC x 6"	16
5-27	9704-555-10	Flat	16
5-28	7014-005	Lockwasher, 1/2"	16
5-29	7012-027	Hex Nut, 1/2" NC	16
5-30	45090-007-94	See Hydraulic Cylinder - Form 21746, This Section	2
5-31	7017-056	Hex Nut, 1-1/2" Jam	2
5-32	9704-554-74	Support	2
5-33	7383-100	Capscrew, 5/8" NC x 1-1/2"	4
5-34	7014-007	Lockwasher, 5/8"	4
5-35	9704-581-14	Jam Nut, Extension Cylinder	2
5-39	9704-556-24	Plate	2
5-40	7389-046	Capscrew, 1/2" NC x 1-1/2" - Sockethead	4
5-41	9704-558-39	Plate, Heat Exit Block	2
5-42	7072-102	Carriage Bolt, 1/2" NC x 1 1/2"	4
5-43	7014-020	Washer, 1/2"	4
5-44	7014-005	Lockwasher, 1/2"	4
5-45	7012-027	Hex Nut, 1/2" NC x 6"	4

- Continued on Next Page -

**Return to Table
of Contents Page**



Rear Extending Screed Frame & Bottom

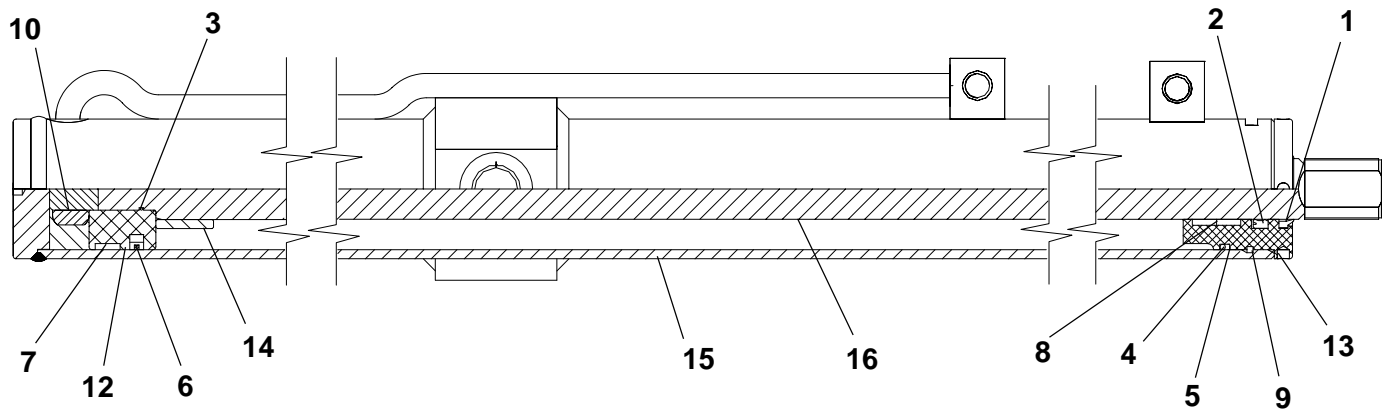
Parts List No. 5037PRJ

Ref. No.	Part Number	Description	Quantity
6-8	46055-001-43	Heating Element, 2.25kw, 208v	4
6-10	9704-584-08	Subframe, S20 Screed Bottom	2
6-11	7014-022	Washer, 5/8"	20
6-12	7097-013	Washer, 5/8" SAE	20
6-13	45890-102-29	Locknut, 5/8" NC	20
6-28	9704-611-57	Heat Junction Box - Left Hand	1
6-29	9704-611-58	Heat Junction Box - Right Hand (Not shown)	1
6-30	7435-095	Machine Screws, #10 NC x 1/2"	8
6-31	7439-003	Washer, #10 Lock	8
6-33	9704-584-33	Clamp, Temperature Sensor	2
6-34	7131-080	Set Screw, 3/8" NC x 1" C	4
6-35	7017-025	Hex Nut, 3/8" NC Jam	4
6-36	46055-003-07	Sensor, Temperature Point 100	2
6-38	9704-616-41	Cable, Heater	2
6-40	9704-616-68	Wire, 14" Jumper	6
6-46	9704-586-71	Plate, Junction Box Mounting	2
6-47	7383-038	Capscrew, 3/8" x 1"	8
6-48	7014-003	Lockwasher, 3/8"	8
6-50	46026-019-06	Nipple, 2" Chase	2
6-51	46026-016-06	Locknut, 2"	2

Note: Certain Major Components are Available in Kit Form.

**Return to Table
of Contents Page**

Hydraulic Cylinder

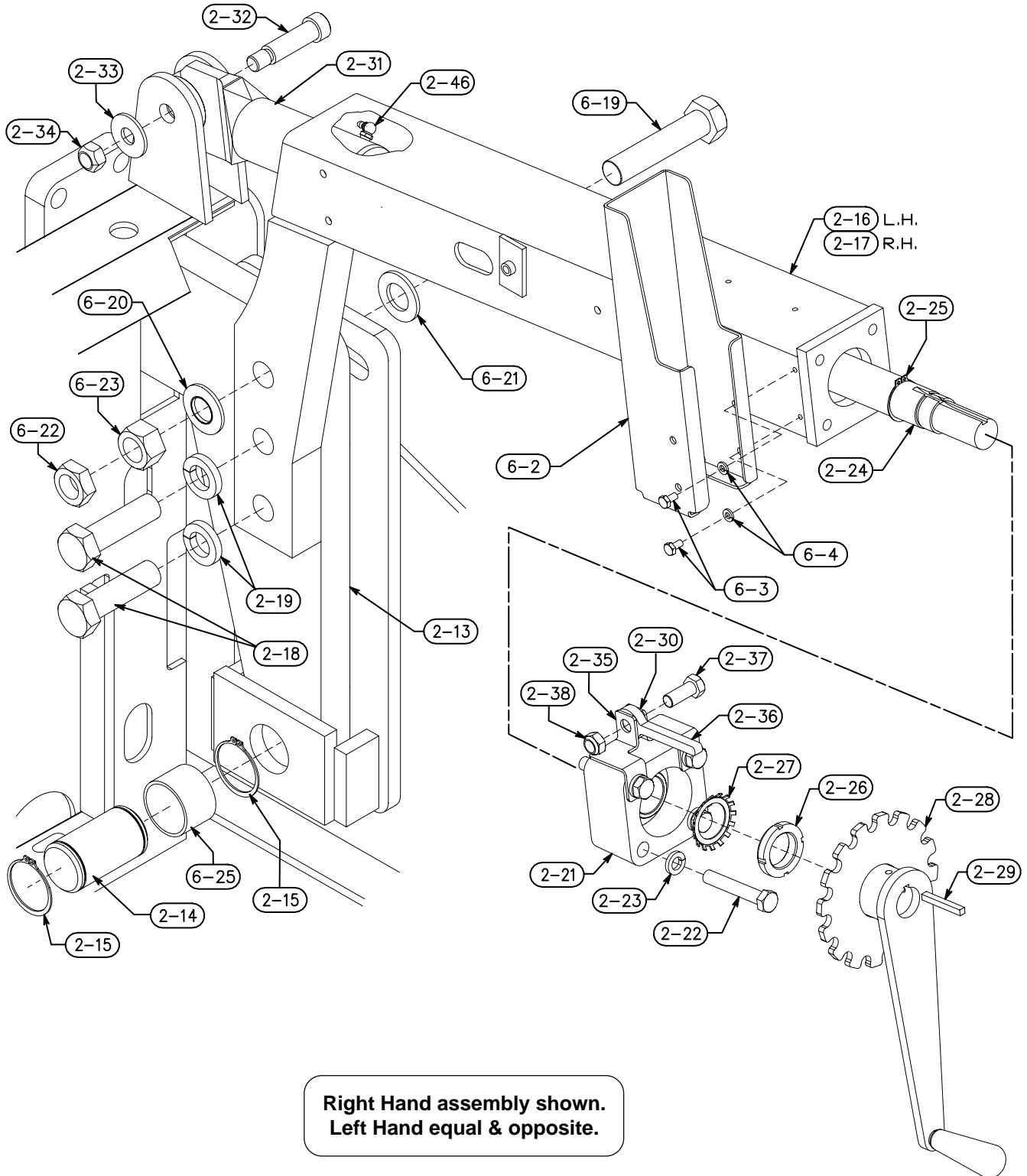


Ref. No.	Part Number	Description	Quantity
	45090-007-94	Cylinder - Complete	1
1	45090-007-90-01	Wiper	1
2	45090-007-90-02	Seal	1
3	45090-007-90-03	O-Ring	1
4	45090-007-90-04	O-Ring	1
5	45090-007-90-05	Back-Up	1
6	45090-007-90-06	Seal	1
7	45090-007-90-09	Ring, Wear	1
8	45090-007-93-01	Ring, Wear	2
9	45090-007-90-07	Ring, Retaining	1
10	45090-007-90-08	Locknut	1
11	45090-007-90-10	Plug, Port (Not Shown)	4
12	45090-007-90-12	Piston	1
13	45090-007-93-02	Head	1
14	45090-007-94-01	Spacer	1
15	45090-007-94-03	Tube Assembly	1
16	45090-007-94-02	Rod	1
17	45090-007-90-17	Seal Kit - Complete (Not Shown)	1

NOTE: Quantities listed for these items are for one (1) Cylinder only.

**Return to Table
of Contents Page**

Pull Arms



**Right Hand assembly shown.
Left Hand equal & opposite.**

**Return to Table
of Contents Page**



Pull Arms

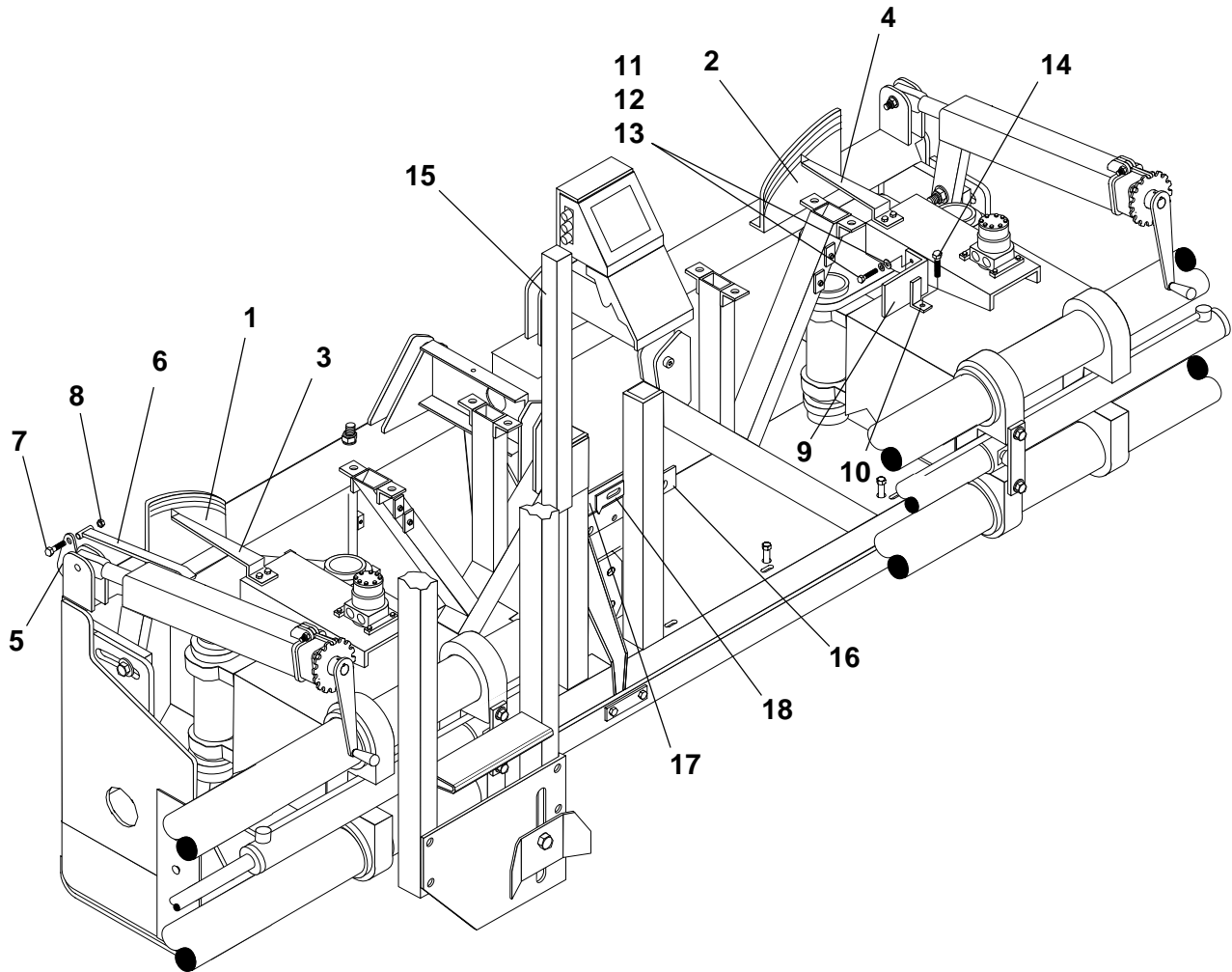
Parts List No. 5037PRJ

Ref. No.	Part Number	Description	Quantity
2-12	9704-583-75	Pull Arm, Left Hand (Not Shown)	1
2-13	9704-583-76	Pull Arm, Right Hand	1
2-14	9704-561-77	Pin, Pivot - Pull Arm	2
2-15	7253-050	Ring, Snap	4
2-16	9704-560-29	Support, Thickness Adjusting - Left Hand (Not Shown)	1
2-17	9704-560-30	Support, Thickness Adjusting - Right Hand	1
2-18	7383-157	Capscrew, 1" NC x 3-1/4"	4
2-19	7014-011	Washer, 1" Locking	4
2-21	4431-721-02	Bearing, Screed Adjust - Complete	2
	4431-721-01	Housing, Bearing	As Req
	7041-026	Ball Bearing	As Req
	7051-001	Grease Fitting, 1/8"	As Req
2-22	7383-076	Capscrew, 1/2" NC x 3"	8
2-23	7014-005	Lockwasher, 1/2"	8
2-24	* 9704-565-69	Shaft, Mat Thickness - RH Threads (Standard Rotation)	2
2-25	7253-040	Retaining Ring	2
2-26	7030-008	Locknut, SKF 1.3399"	2
2-27	7033-008	Lockwasher, SKF 1.407"	2
2-28	9704-569-62	Handle, Adjusting	2
2-29	40800-002	Key, 1/4" x 2"	2
2-30	9704-568-82	Flat, Lock Bracket - Right Hand	2
2-31	* 9704-565-64	Link, Right Hand ACME (Standard Rotation)	2
2-32	7455-018	Screw, Shoulder	2
2-33	7014-022	Washer	2
2-34	45890-102-33	Locknut	2
2-35	9704-568-83	Flat, Lock Bracket - Left Hand	2
2-36	9704-568-84	Flat, Locking	2
2-37	7383-069	Capscrew, 1/2" NC x 1-1/4"	2
2-38	45890-102-28	Locknut, 1/2"	2
2-46	7051-004	Fitting, 90° Grease 1/8"	2
6-2	9704-586-65	Holder, Remote Control Box	2
6-3	7383-002	Capscrew, 1/4" x 1/2"	4
6-4	7014-001	Lockwasher, 1/4"	4
6-5	9704-586-66	Tab, Padlock (Bolts to Control Box) - Not Shown	2
6-19	7383-166	Capscrew, 1" NC x 5-1/2"	2
6-20	7453-251	Washer, 1" Bevel	2
6-21	7465-005	Washer, 1" Hard Flat	2
6-22	7017-032	Hex Nut, 1" NC Jam	2
6-23	7012-032	Hex Nut, 1" NC	2
6-25	45134-002-84	Bearing, Pivot	2

* Note: If screed is equipped with Opposite Rotation Hand Cranks, disregard items 2-24 and 2-31. A separate Shaft & Link page for Opposite Rotation Cranks is included elsewhere in the Manual.

Note: Certain Major Components are Available in Kit Form.

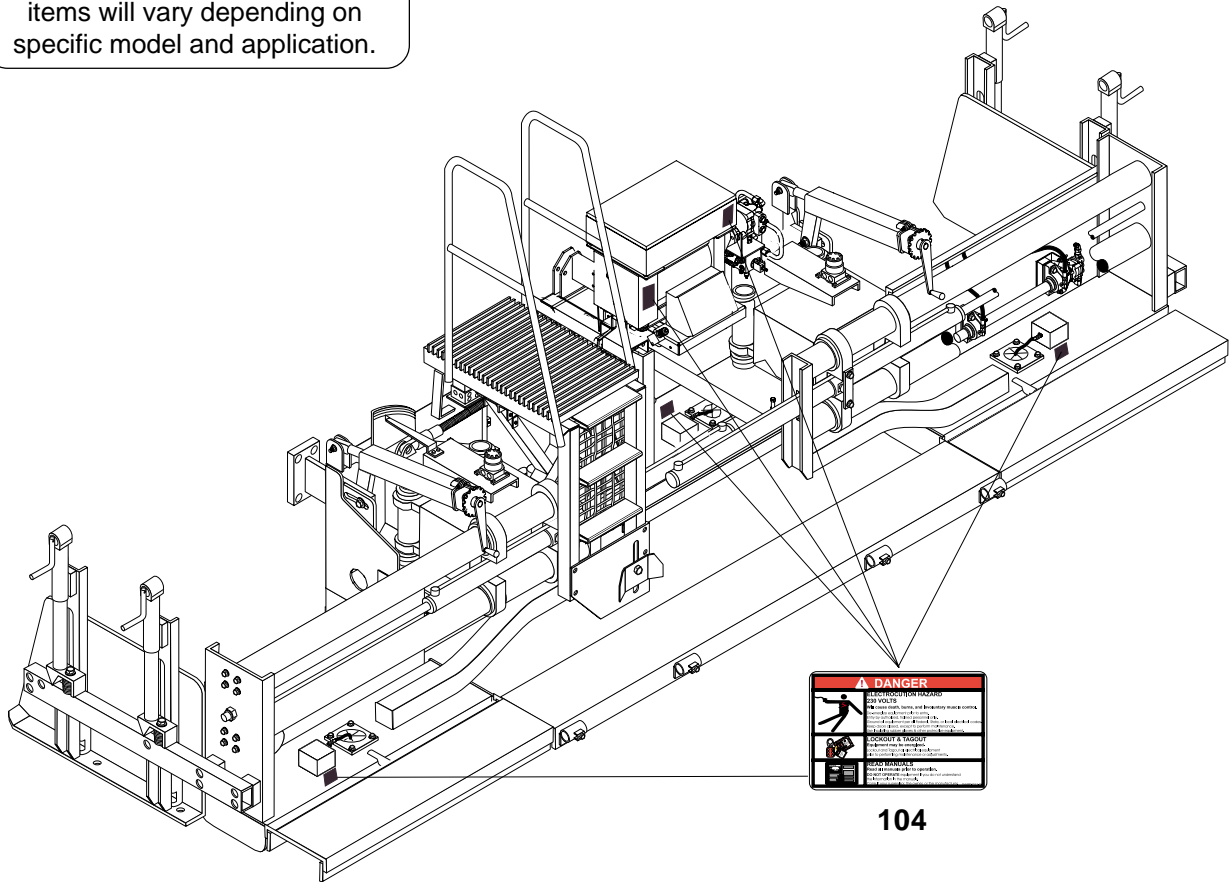
Decal Mounting Parts



Ref. No.	Part Number	Description	Quantity
1	9704-558-53	Support, Slope Gauge - Left Hand	1
2	9704-558-54	Support, Slope Gauge - Right Hand	1
3	9704-558-55	Pointer, Slope Gauge - Left Hand	1
3	9704-558-56	Pointer, Slope Gauge - Right Hand	1
5	9704-567-88	Plate, Mat Thickness Bracket	2
6	9704-560-86	Pointer, Mat Thickness	2
7	7383-011	Capscrew, 1/4" NC x 2-1/4"	2
8	45890-102-36	Locknut, 1/4" NC	2
9	9704-559-43	Mount, Match Height Gauge	2
10	9704-560-84	Pointer, Match Height	2
11	7383-020	Capscrew, 5/16" NC x 3/4"	4
12	7014-017	Washer, 5/16"	4
13	7014-002	Lockwasher, 5/16"	4
14	7383-038	Capscrew, 3/8" NC x 1"	2
15	Consult Factory	Mount, Screed Control	1
16	9704-563-60	Flat, Crown Indicator	2
17	9704-553-73	Spacer	4
18	9704-558-57	Point, Main Screed Crown	1

Electric Screed Electrocutation Emblems
Parts List No. 05037PQG

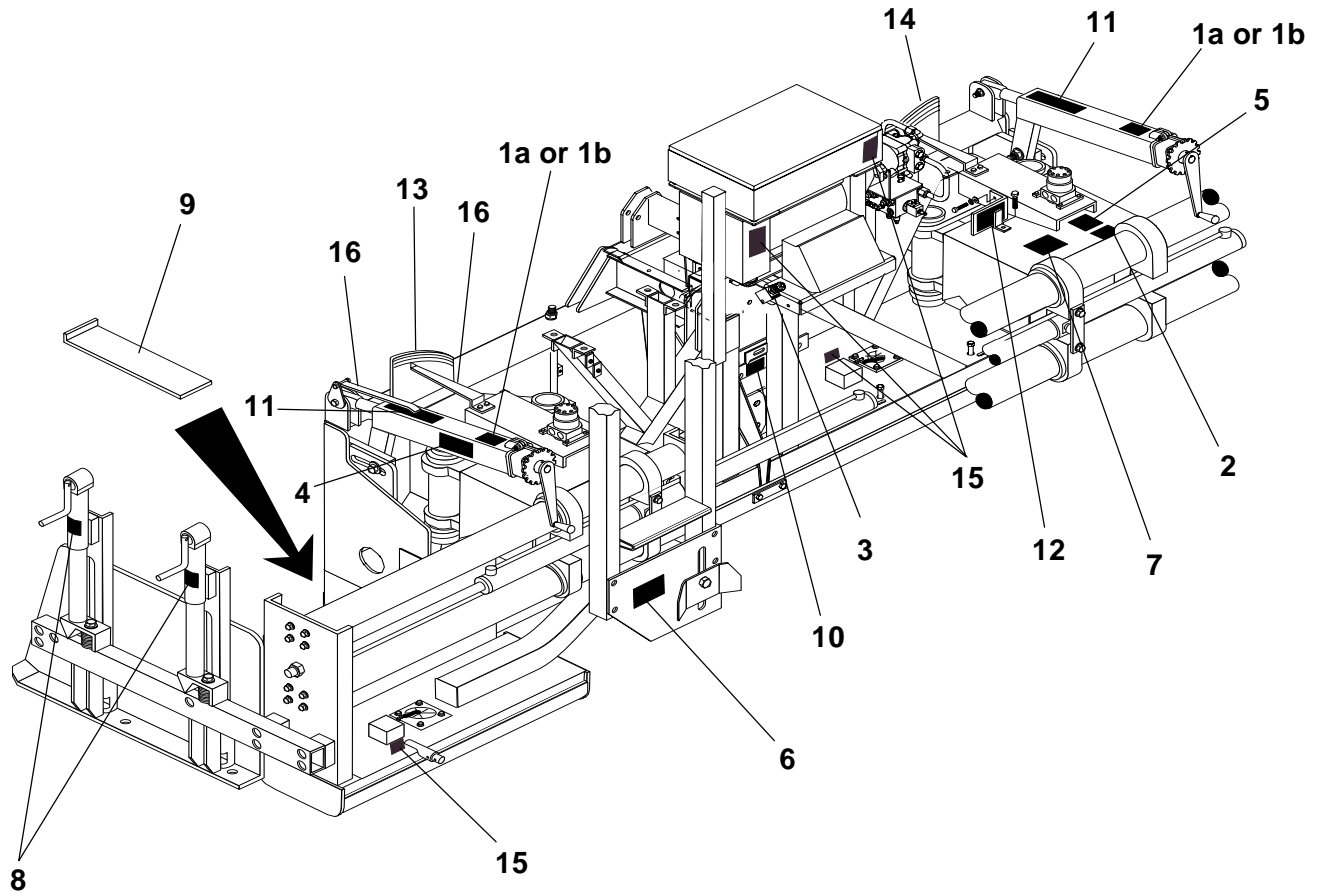
NOTE: Typical illustration shown. Quantities and locations of certain items will vary depending on specific model and application.



104

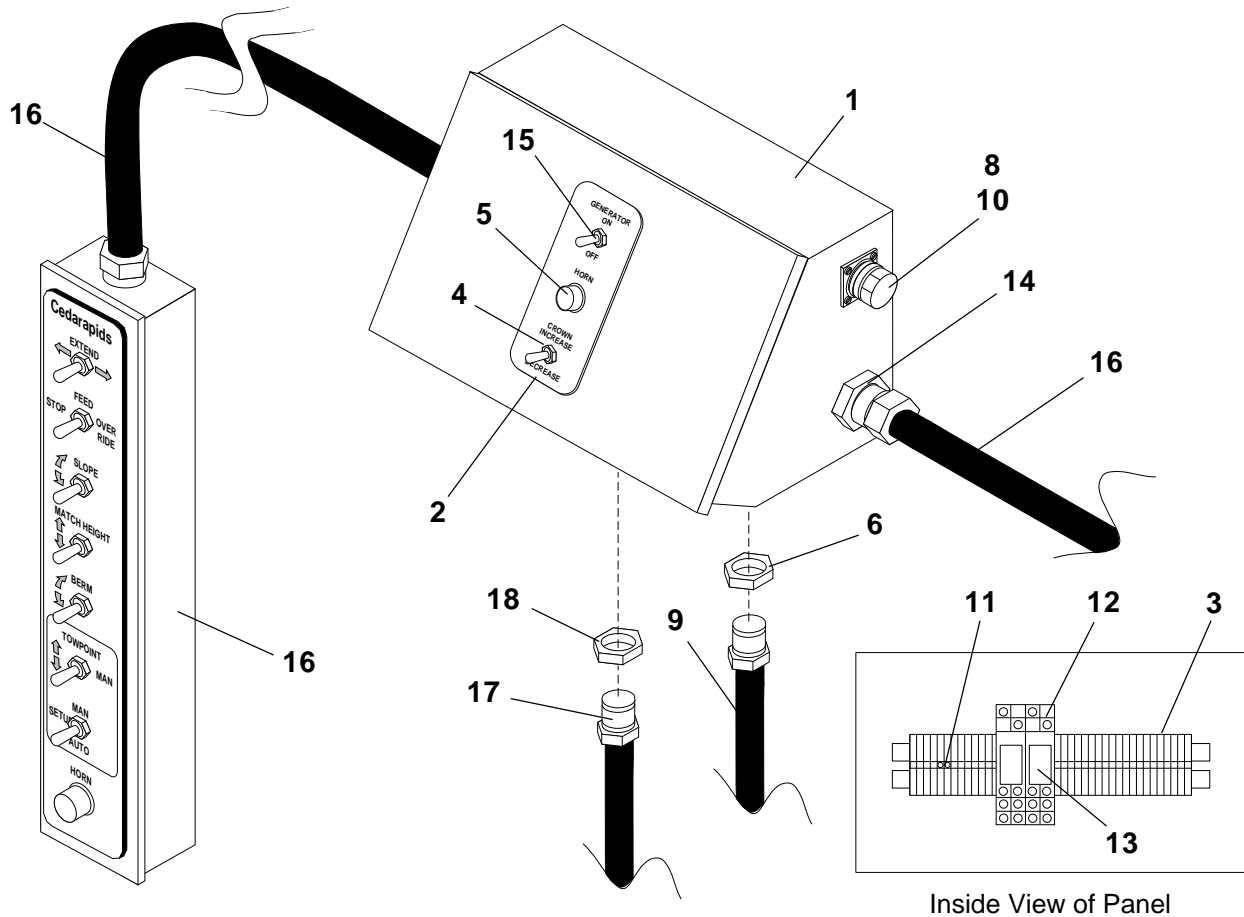
Ref. No.	Part Number	Description	Quantity
104	4490-011-02	Emblem, Danger, Electrocution Hazard	7

Emblems & Miscellaneous Parts
Parts List No. 5037PQW



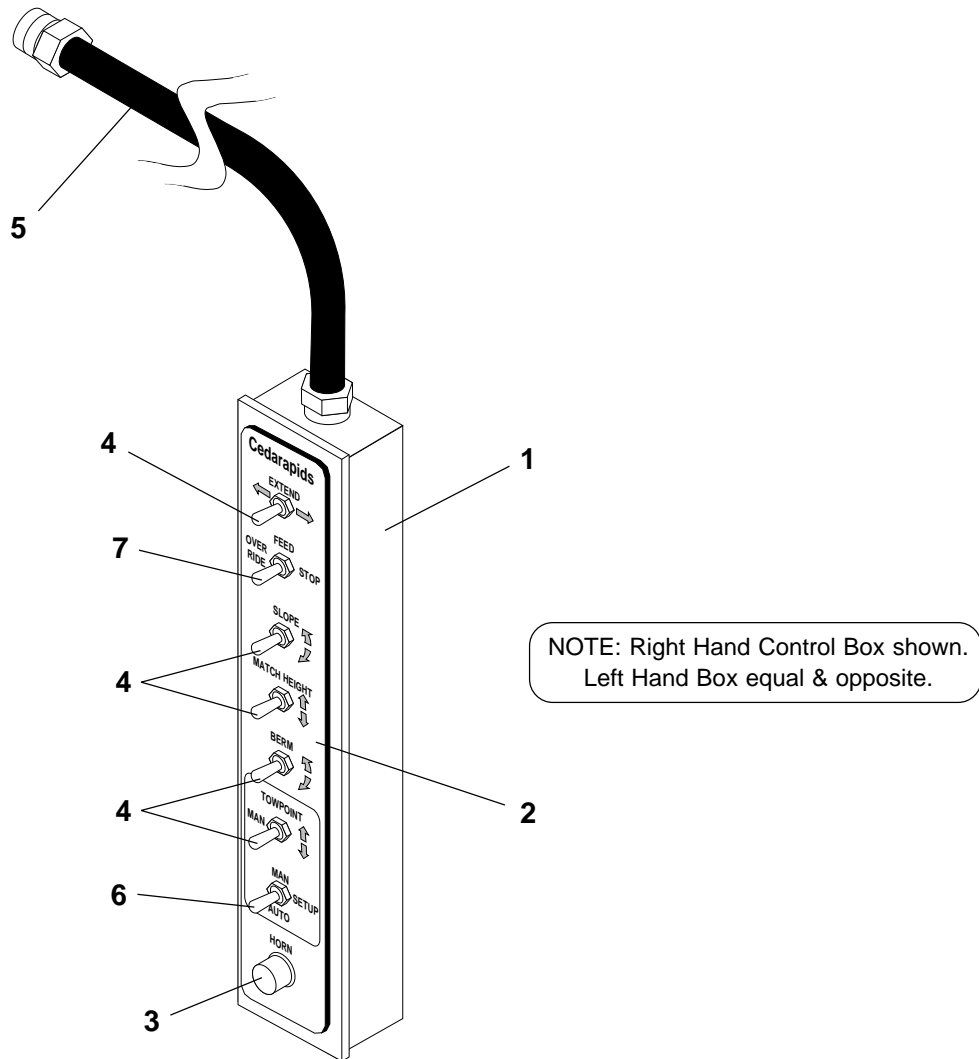
Ref. No.	Part Number	Description	Quantity
1a	4418-503	Emblem, Material Thickness (Standard Rotation - 5037PQW)	2
1b	4418-712	Emblem, Material Thickness (Opposite Rotation - 5037PQQ)	2
2	Not Supplied	Emblem, Stretch 20 Patent - Not used on Electric Heat Units	1
3	4418-591	Emblem, Vibratory Control	1
4	4418-569	Emblem, Stretch 20	2
5	4493-023	Emblem, Serial	1
6	4491-013	Emblem, Screed Extend - Crushing Hazard	1
7	4491-020	Emblem, Lockout / Tagout	1
8	4418-823	Emblem, End Gate	4
9	45500-036-16	Gauge, Strike Off (Shipped Loose)	1
10	4418-600	Emblem, Crown Decal	1
11	4418-535	Gauge, Mat Thick / Thin	2
12	4418-534	Gauge, Match Height	2
13	4418-518	Emblem, Left Extending Slope	1
14	4418-519	Emblem, Right Extending Slope	1
15	Reference	See Electrocution Emblems - This Section	-
16	Reference	See Decal Mounting Parts - This Section	-
17	4495-004	Laminated Hydraulic Schematic, Stretch Screeds (Not Shown)	1
18	4495-007	Laminated Hydraulic Schematic, Generator Circuit (Not Shown)	1

Main Junction Box & Cables
Parts List No. 05037PQM



Ref. No.	Part Number	Description	Quantity
	9704-611-43	Junction Box - Complete	
1	9704-611-35	Enclosure, Modified	1
2	4418-998	Emblem	1
3	46260-005-02	Terminal Block	1
4	46200-009-21	Switch, Toggle	1
5	46200-010-07	Switch, Pushbutton	1
6	46195-001-02	Nut, 3/4" Truseal	1
7	9704-615-85	Receptacle, Left Automatics (Not Shown)	1
8	9704-615-86	Receptacle, Right Automatics	1
9	9704-615-49	Cable, Tractor to Screed	1
10	46061-500-32	Cap, Receptacle	2
11	46260-501-08	Jumper, 2-Position	1
12	46015-001-53	Socket, 8-Pin	2
13	46325-002-53	Relay, 12V	2
14	46195-001-03	Nut, 1" Truseal	2
15	46200-009-06	Switch, Toggle	1
16	Reference	See Screed Remote Control Box, This Section	-
17	9704-616-42	Harness, Stretch 20 Electric	1
18	46195-001-02	Lock Nut, 3/4" Truseal	1

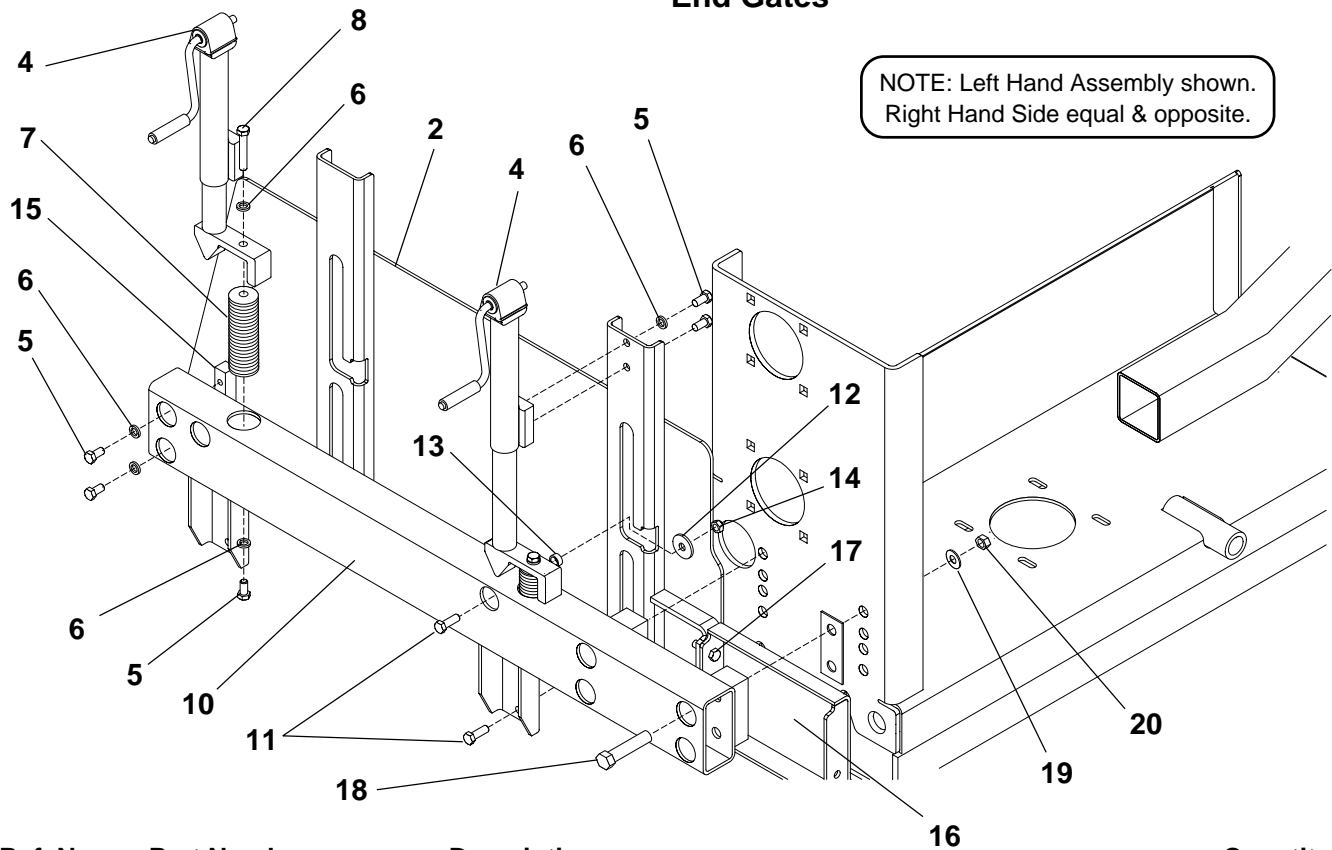
Screed Remote Control Box



Ref. No.	Part Number	Description	Quantity
	9704-611-31	Control Box, Left Hand - Complete	1
	9704-611-32	Control Box, Right Hand - Complete	1
1	9704-611-33	Box, Extension	*1
2	{ 4418-965	Emblem, Left Hand	*1
	{ 4418-966	Emblem, Right Hand	*1
3	46200-010-07	Switch, Pushbutton	*1
4	46200-009-21	Switch, Toggle	*5
5	{ 9704-616-21	Cable, Left Hand	1
	{ 9704-616-22	Cable, Right Hand	1
6	46200-009-64	Switch, Toggle	*1
7	46200-009-51	Switch, Toggle	*1
8	56018-108-12	Wire, #14 Blue (Not Shown)	*2.5'
9	46275-001-02	Lug, Eye (Not Shown)	*12
10	46260-501-03	Strap, Jumper (Not Shown)	*1

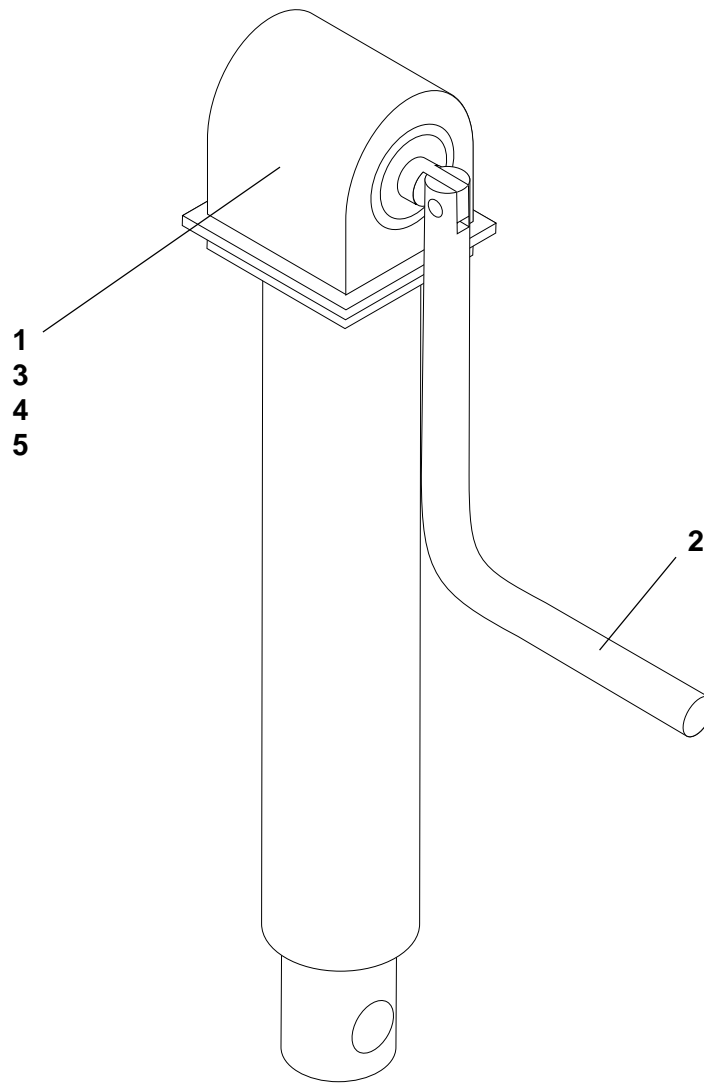
*NOTE: Quantities listed for these items are for one (1) Control Box only.
All items common for both boxes except for Emblem (Item No. 2) and Cable (Item No. 5).

End Gates



Ref. No.	Part Number	Description	Quantity
-	9704-584-07	End Gate Kit - Complete	-
1	9704-574-24	End Gate, Right Hand (Not Shown)	1
2	9704-574-25	End Gate, Left Hand	1
3	9704-577-78	Jack, Right Hand (Not Shown)	2
4	9704-577-77	Jack, Left Hand	2
	45500-033-77	Jack, Side Wide (Per Jack) - See Form 22297	1
	9704-574-47	Mount, Jack - Quantity for One Jack	1
	9704-574-48	Block, Spring - Quantity for One Jack	1
5	7383-068	Capscrew, 1/2" NC x 1"	16
6	7014-005	Lockwasher, 1/2"	20
7	9704-574-37	Spring	4
8	7285-005	Adjusting Bolt, 1/2" NC x 3"	4
9	9704-574-26	Support, End Gate - Right Hand (Not Shown)	1
10	9704-574-27	Support, End Gate - Left Hand	1
11	7383-070	Capscrew, 1/2" NC x 1-1/2"	8
12	9700-459	Washer	8
13	9704-555-07	Spacer, Standoff	8
14	45890-102-28	Locknut, 1/2"	8
15	9704-574-38	Retainer, Block	2
16	9704-577-91	Bracket, Bleed Out	2
	7383-071	Capscrew, 1/2" NC x 1-3/4"	4
17	{ 7014-005	Lockwasher, 1/2"	4
	{ 7012-027	Hex Nut, 1/2" NC	4
18	7383-125	Capscrew, 3/4" NC x 3-3/4"	8
19	7014-023	Washer, 3/4"	8
20	45890-102-26	Hex Nut, 3/4" Self Locking	8
21	4418-823	Emblem, End Gate (Not Shown)	4

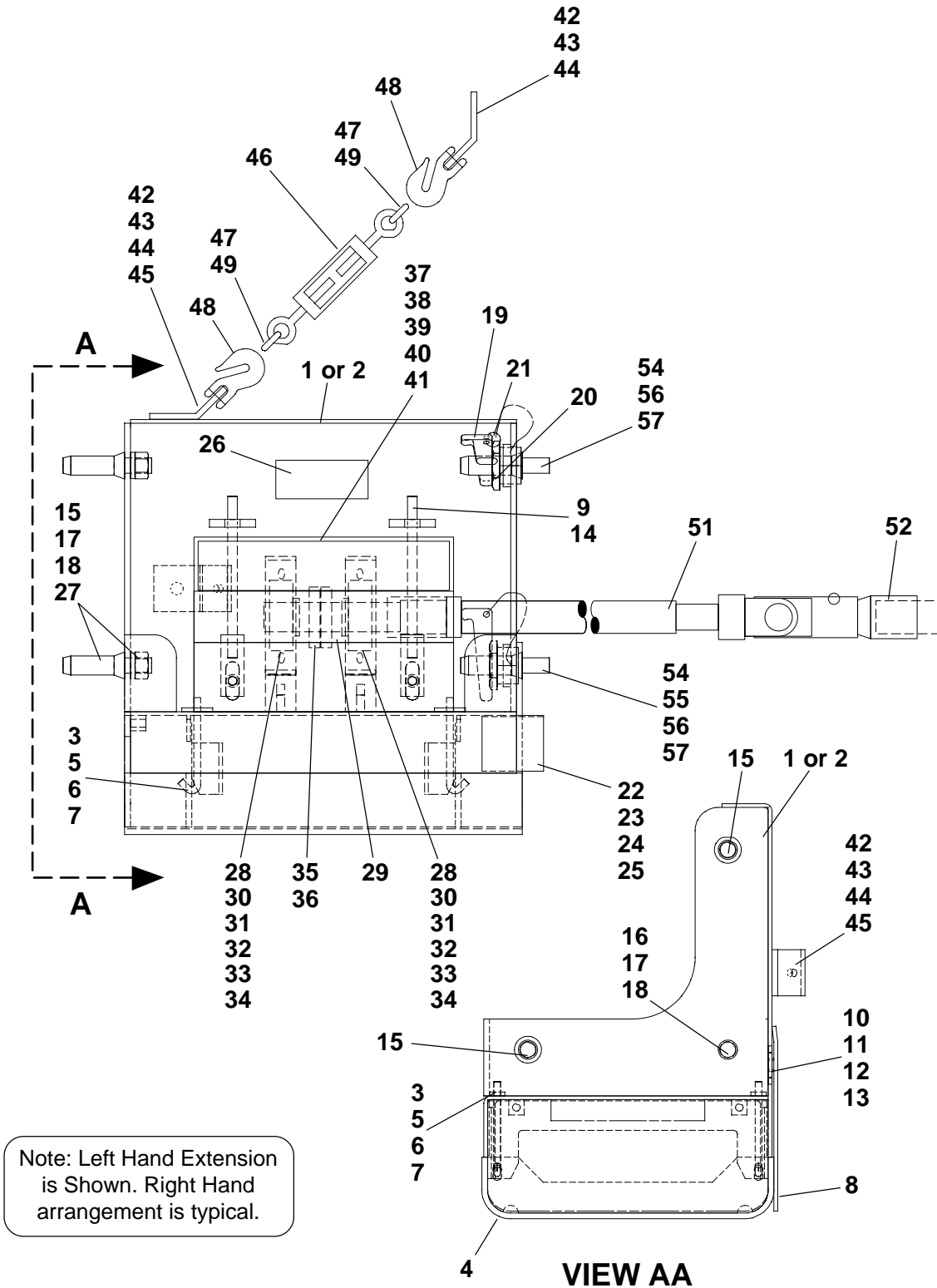
End Gate Jack



Ref. No.	Part Number	Description	Quantity
	45500-033-77	End Gate Jack - Complete	1
1	45500-033-77-01	Cover Replacement Kit	As Req
2	45500-033-77-02	Handle, Jack	As Req
3	45500-033-77-03	Gear	As Req
4	45500-033-77-04	Roll Pin	As Req
5	45500-033-77-05	Gear Kit	As Req

NOTE: See End Gates parts list for total number of Jacks required.

26" Screed Extensions - Left & Right Hand





26" Screed Extensions - Left & Right Hand

Parts List No's: 5037NAU or 5037NAV

Ref No	Part Number	Description	Quantity
	9704-566-50	Kit - Right Hand Screed Extension (5037NAU)	-
	9704-566-51	Kit - Left Hand Screed Extension (5037NAV)	-
1	9704-556-74	Extension, Screed - Right Hand	1
2	9704-556-73	Extension, Screed - Left Hand	1
3	4445-408-06-04	Hook Bolt, 1/2" x 6"	4
4	9704-578-05	Plate, Screed Bottom	1
5	9704-555-10	Flat	4
6	7014-005	Lockwasher, 1/2"	4
7	7012-027	Hex Nut, 1/2"	4
8	9704-556-81	Plate, Strike-Off	1
9	9704-558-63	Plate, Strike-Off Adjustment	2
10	9704-555-07	Spacer, Stand Off	2
11	7389-048	Capscrew, 1/2" x 2" Sockethead	2
12	7014-005	Lockwasher, 1/2"	2
13	7012-027	Hex Nut, 1/2"	2
14	7012-029	Hex Nut, 5/8"	4
15	9704-555-89	Pin, Wedge - With Taper	2
16	9704-555-90	Pin, Wedge - Without Taper	1
17	7014-011	Lockwasher, 1"	3
18	7012-032	Hex Nut, 1"	3
19	9704-555-94	Key, Wedge	3
20	9704-555-91	Nut, Eccentric	2
21	45890-800-30	Ring, Split	3
22	9704-558-66	Flat, Heat Seal	1
23	7383-038	Capscrew, 3/8" x 1"	2
24	7014-003	Lockwasher, 3/8"	2
25	7012-025	Hex Nut, 3/8"	2
26	4418-570	Emblem, Fastach	1
27	9704-555-92	Nut, Concentric	1
28	7051-002	Grease Fitting, 45° 1/8"	4
29	9704-576-17	Shaft, Vibrator Extension	1
30	FO107PGA	Pillow Block Bearing - See Form 1003, This Section	2
31	7383-071	Capscrew, 1/2" x 1-3/4"	4
32	7014-020	Washer, 1/2" Flat	4
33	7014-005	Lockwasher, 1/2"	4
34	9704-557-15	Shim, Plate	2
35	9704-557-11	Weight, Vibrator	2
36	7025-018	Capscrew, 3/8" x 2-1/2" Sockethead	2
37	9704-566-36	Shield, Heat Screed	1
38	7072-194	Carriage Bolt, 1/2" x 1-3/4"	2
39	9704-559-53	Clip, Guard Hold Down	2
40	45870-001-30	Spring, Compression	2
41	45890-102-28	Locknut, 1/2"	2

- Continued Next Page -



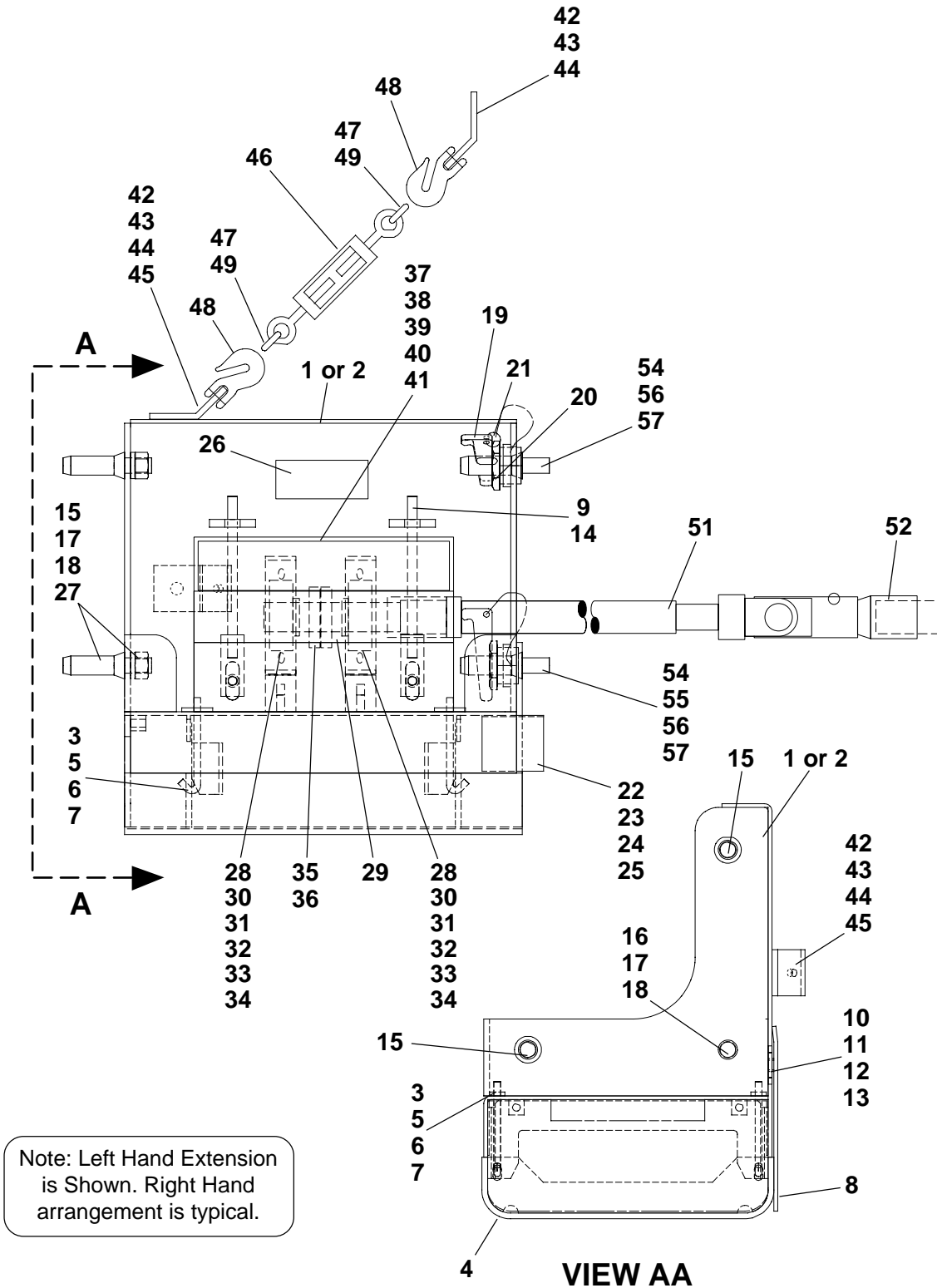
26" Screed Extensions - Left & Right Hand
 Parts List No's: 5037NAU or 5037NAV

- Continued from Previous Page -

Ref No	Part Number	Description	Quantity
	9704-566-49	Kit - Screed Attach Hardware	-
42	9704-558-89	Flat, Chain Support	2
43	7383-116	Capscrew, 3/4" x 1-1/2"	2
44	7014-009	Lockwasher, 3/4"	2
45	7012-030	Hex Nut, 3/4"	2
46	7379-004	Turnbuckle, 1/2" x 12-1/2"	1
47	7262-018	Lap Link, 3/8" x 1-5/8"	2
48	7262-017	Grab Hook, M806	2
49	50005-950-04-08	Chain, 3/8" x 8'	2
50	45500-750-10	Wrench, Open End 2-13/16" (Not Shown)	1
51	45378-001-05	U-Joint, Drive Shaft	1
52	45378-001-05-01	Adapter, Drive Shaft	1
53	40800-001-25	Key, 1/4" x 1-1/4" (Not Shown)	2
54	9704-555-89	Pin, Wedge - With Taper	4
55	9704-555-90	Pin, Wedge - Without Taper	2
56	7014-011	Lockwasher, 1"	6
57	7012-032	Hex Nut, 1"	6

*Note: Item quantities listed are for (1) one extension only.

26" Screed Extensions - Left & Right Hand





26" Screed Extensions - Left & Right Hand

Parts List No's: 5037NAU or 5037NAV

Ref No	Part Number	Description	Quantity
	9704-566-50	Kit - Right Hand Screed Extension (5037NAU)	-
	9704-566-51	Kit - Left Hand Screed Extension (5037NAV)	-
1	9704-556-74	Extension, Screed - Right Hand	1
2	9704-556-73	Extension, Screed - Left Hand	1
3	4445-408-06-04	Hook Bolt, 1/2" x 6"	4
4	9704-578-05	Plate, Screed Bottom	1
5	9704-555-10	Flat	4
6	7014-005	Lockwasher, 1/2"	4
7	7012-027	Hex Nut, 1/2"	4
8	9704-556-81	Plate, Strike-Off	1
9	9704-558-63	Plate, Strike-Off Adjustment	2
10	9704-555-07	Spacer, Stand Off	2
11	7389-048	Capscrew, 1/2" x 2" Sockethead	2
12	7014-005	Lockwasher, 1/2"	2
13	7012-027	Hex Nut, 1/2"	2
14	7012-029	Hex Nut, 5/8"	4
15	9704-555-89	Pin, Wedge - With Taper	2
16	9704-555-90	Pin, Wedge - Without Taper	1
17	7014-011	Lockwasher, 1"	3
18	7012-032	Hex Nut, 1"	3
19	9704-555-94	Key, Wedge	3
20	9704-555-91	Nut, Eccentric	2
21	45890-800-30	Ring, Split	3
22	9704-558-66	Flat, Heat Seal	1
23	7383-038	Capscrew, 3/8" x 1"	2
24	7014-003	Lockwasher, 3/8"	2
25	7012-025	Hex Nut, 3/8"	2
26	4418-570	Emblem, Fastach	1
27	9704-555-92	Nut, Concentric	1
28	7051-002	Grease Fitting, 45° 1/8"	4
29	9704-576-17	Shaft, Vibrator Extension	1
30	FO107PGA	Pillow Block Bearing - See Form 1003, This Section	2
31	7383-071	Capscrew, 1/2" x 1-3/4"	4
32	7014-020	Washer, 1/2" Flat	4
33	7014-005	Lockwasher, 1/2"	4
34	9704-557-15	Shim, Plate	2
35	9704-557-11	Weight, Vibrator	2
36	7025-018	Capscrew, 3/8" x 2-1/2" Sockethead	2
37	9704-566-36	Shield, Heat Screed	1
38	7072-194	Carriage Bolt, 1/2" x 1-3/4"	2
39	9704-559-53	Clip, Guard Hold Down	2
40	45870-001-30	Spring, Compression	2
41	45890-102-28	Locknut, 1/2"	2

- Continued Next Page -



26" Screed Extensions - Left & Right Hand
 Parts List No's: 5037NAU or 5037NAV

- Continued from Previous Page -

Ref No	Part Number	Description	Quantity
	9704-566-49	Kit - Screed Attach Hardware	-
42	9704-558-89	Flat, Chain Support	2
43	7383-116	Capscrew, 3/4" x 1-1/2"	2
44	7014-009	Lockwasher, 3/4"	2
45	7012-030	Hex Nut, 3/4"	2
46	7379-004	Turnbuckle, 1/2" x 12-1/2"	1
47	7262-018	Lap Link, 3/8" x 1-5/8"	2
48	7262-017	Grab Hook, M806	2
49	50005-950-04-08	Chain, 3/8" x 8'	2
50	45500-750-10	Wrench, Open End 2-13/16" (Not Shown)	1
51	45378-001-05	U-Joint, Drive Shaft	1
52	45378-001-05-01	Adapter, Drive Shaft	1
53	40800-001-25	Key, 1/4" x 1-1/4" (Not Shown)	2
54	9704-555-89	Pin, Wedge - With Taper	4
55	9704-555-90	Pin, Wedge - Without Taper	2
56	7014-011	Lockwasher, 1"	6
57	7012-032	Hex Nut, 1"	6

*Note: Item quantities listed are for (1) one extension only.

**Return to Table
of Contents Page**



Table of Contents

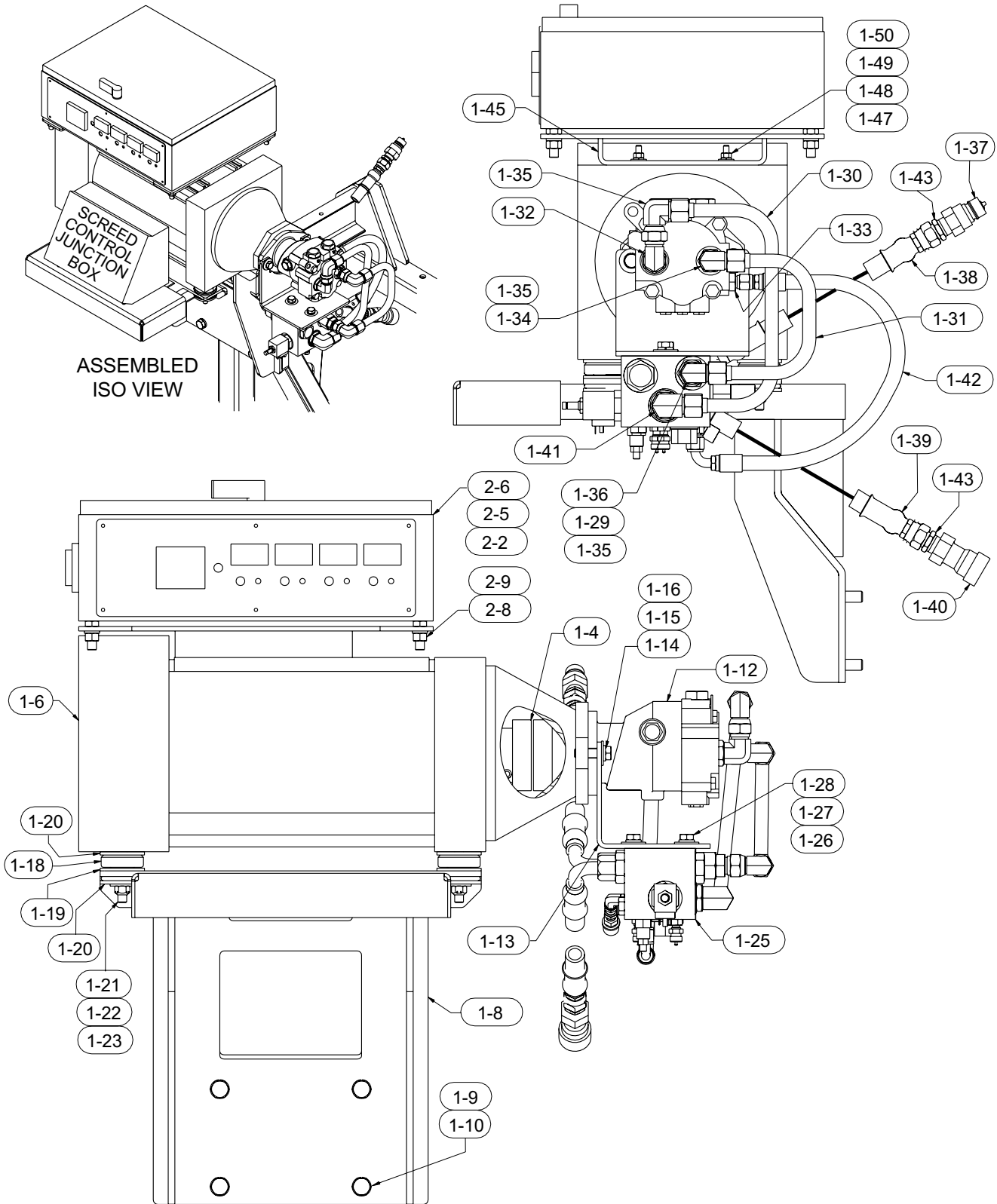
Generator Drive Components - 05037PRF

Ref No.	Description	Page No.
<u>1</u>	<u>Generator Drive and Plumbing, Illustration</u>	<u>2</u>
<u>2</u>	<u>Generator Drive and Plumbing, Parts List</u>	<u>3</u>
<u>3</u>	<u>Heat Control Box, Illustration</u>	<u>4</u>
<u>4</u>	<u>Heat Control Box, Parts List</u>	<u>5</u>
<u>5</u>	<u>Valve Assembly - Pump Load Sensing</u>	<u>6</u>

Return to Table
of Contents Page



Generator Drive & Plumbing



**Return to Table
of Contents Page**



Generator Drive & Plumbing

Parts List No. 5037PRF

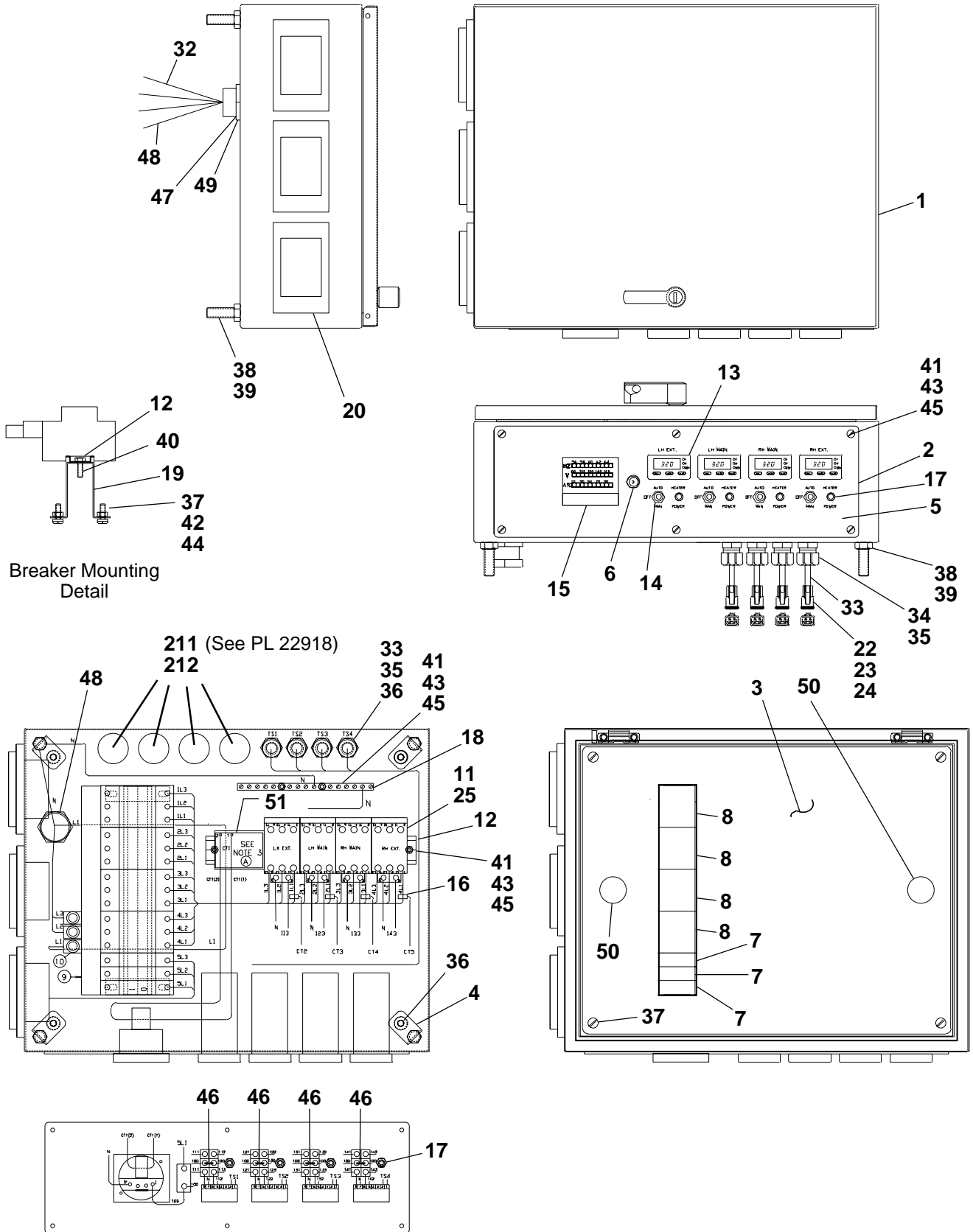
Ref. No.	Part Number	Description	Quantity
1-04	45479-004-30	Coupling	1
1-06	46150-003-16	Generator, 34KVA 120/208	1
1-08	9704-584-64	Support, 34KW Generator	1
1-09	7014-007	Lockwasher, 5/8"	4
1-10	7383-100	Capscrew, 5/8" NC X 1-1/2"	4
1-12	45080-006-36	Motor, Hydraulic - 2.65 CID w/ Flushing Valve	1
1-13	9704-662-54	Bracket, Generator Valve	1
1-14	7383-071	Capscrew, 1/2" NC X 1-3/4"	2
1-15	7014-005	Lockwasher, 1/2"	2
1-16	7014-020	Washer, 1/2"	2
1-18	45905-017-04	Mount, Engine	4
1-19	7097-019	Washer, 1-1/4" SAE	4
1-20	2833B17C	Washer, 1/2"	8
1-21	7383-077	Capscrew, 1/2" NC X 3-1/4"	4
1-22	7014-020	Washer, 1/2"	4
1-23	45890-102-28	Locknut, 1/2"NC	4
1-25	9704-662-47	Valve, Load Sense Pump - See Form 23027, This Section	1
1-26	7383-069	Capscrew, 1/2" NC X 1-1/4"	2
1-27	7014-005	Lockwasher, 1/2"	2
1-28	7014-020	Washer, 1/2"	2
1-29	7430-263	Connector, 3/4" x 1-1/16"	1
1-30	9704-662-92	Tube Assembly, Motor "B" Port	1
1-31	9704-662-93	Tube Assembly, Motor "A" Port	1
1-32	7430-282	Elbow, 90° 1-1/16" x 3/4" - with #215 O-Ring	1
1-33	7430-256	Connector, 3/4" x 1/2"	1
1-34	45252-010-33	Valve, Check	1
1-35	7430-387	Elbow, 3/4" Swivel Nut	3
1-36	45720-775-25	Fitting, Reducer 3/4" x 1"	1
1-37	45191-504-30	Coupler, Male 3/4"FPT	1
1-38	7683-056-35	Hose Assembly	1
1-39	7653-054-35	Hose Assembly	1
1-40	45191-504-31	Coupler, Female 3/4" FPT	1
1-41	7430-378	Elbow, 90° 3/4" x 1-5/16"	1
1-42	7652-022-35	Hose Assembly, 1/2" ID X 22"	1
1-43	7430-051	Connector, 3/4" NPT x 3/4" JIC	2
1-45	9704-584-60	Mount, Control Box - Used for current production units	1
1-47	7383-023	Capscrew, 5/16" NC X 1-1/4"	4
1-48	7014-017	Washer, 5/16"	4
1-49	7014-002	Lockwasher, 5/16"	4
1-50	7012-024	Hex Nut, 5/16" NC	4
2-02	Reference	See Electric Heat Control Box, This Section	1
2-05	9704-616-43	Cable, Heat Sensor Main	2
2-06	9704-616-44	Cable, Heat Sensor Ext.	2
2-08	7014-005	Lockwasher, 1/2"	4
2-09	7012-027	Hex Nut, 1/2" NC	4
2-11	46026-015-27	Connector, 3/4"	4
2-12	46026-016-02	Locknut, 3/4"	4
2-15	45259-508-15	O-Ring, 1-1/16" (For hydraulic fittings)	As Req

Note: All Parts Available in Kit Form

Return to Table of Contents Page



Heat Control Box



**Return to Table
of Contents Page**



Heat Control Box

Parts List No. 5037PRF

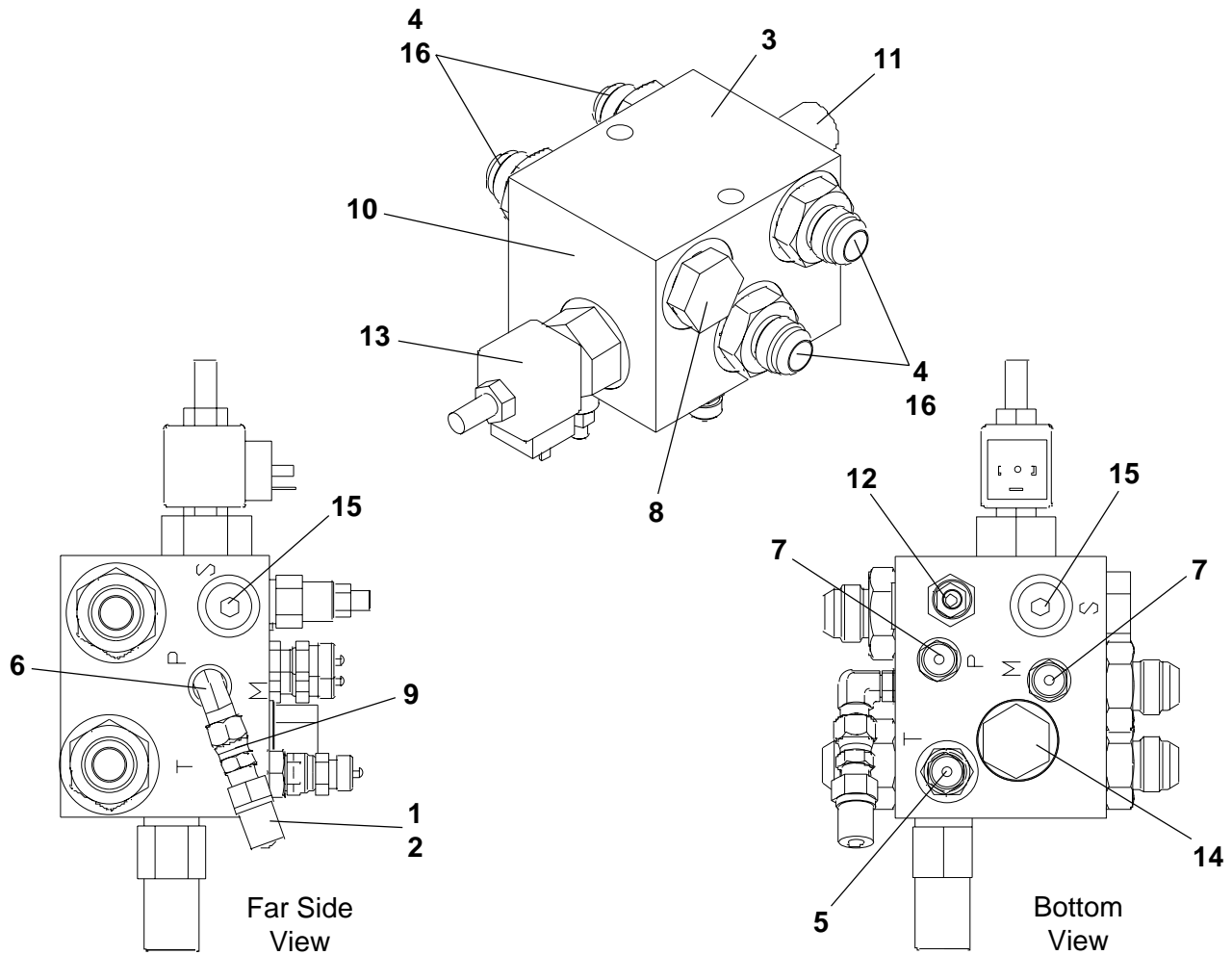
Ref. No.	Part Number	Description	Quantity
	9704-611-60	Control Box - Complete	1
1	9704-611-59	Box, Electric Heat - Used for current production units	1
2	9704-611-62	Panel, Control S16-20	1
3	9704-611-61	Panel, S16 Electric Heat	1
4	9704-611-54	Stand-Off, Control Panel	4
5	4494-105-05	Emblem, Stretch Screed Elect.	1
6	46165-005-18	Breaker, 3 A-1 Pole	1
7	46165-005-19	Breaker, 20A 1 Pole	3
8	46165-005-21	Breaker, 30A 3 Pole	4
9	46165-508-04	Bus Bar, 18 PIN 3PH	1
10	46165-509-06	Lug, Power Feed	3
11	46050-404-52	Contactor, 37A IEC 3P	4
12	46015-001-39	Track, Din Mounting	1
13	46055-002-18	Controller, Temperature - Reprogrammable	4
14	46200-009-08	Switch, DPDT Toggle	4
15	46225-001-33	Meter, All-In-One	1
16	46225-002-61	Transformer, Remote Current	1
17	46225-002-62	Indicator, Remote Led	4
18	46260-002-07	Ground Bar, 14 CKT Taps	1
19	46260-503-04	Bracket, 2.75" Standoff	2
20	46313-002-74	Cover, Horizontal GFI Outlet	3
21	46313-010-37	Receptacle, 20A Duplex GF	3
22	46313-011-39	Plug, 2 Pin Female	4
23	46313-250-33	Socket, 16-18 AWG	8
24	46313-250-35	Wedge, Lock Socket	4
25	46955-001-53	Suppressor, 12-120 VAC	4
26	56018-003-10	Wire, #10 SIS	15'
27	56018-105-11	Wire, #14 Stranded Red	15'
28	56018-105-12	Wire, #14 Stranded White	15'
29	56018-109-05	Wire, 12 Awg THHN Black	5'
30	56018-109-06	Wire, 12 Awg THHN Green	5'
31	56018-109-07	Wire, 12 Awg THHN White	5'
32	56018-003-12	Wire, 6 Awg Type TFE - Black	12'
33	56020-002-01	Cable, 16/3 SO	12'
34	46026-015-01	Connector, 1/2"	4
35	46026-016-01	Locknut, 1/2"	4
36	45890-100-29	Nut, 1/4" Self-Retaining	4
37	7437-135	Machine Screw, 1/4" NC X 3/4"	8
38	7383-071	Capscrew, 1/2" NC X 1-3/4"	4
39	7017-027	Hex Nut, 1/2" NC JAM	4
40	45890-300-62	Capscrew, M6 X 20 X 1	2
41	7504-069	Machine Screw, #10-32 X 3/4"	10
42	7014-001	Washer, 1/4" Lock	8
43	7438-005	Washer, #10 Shakeproof Lock	10
44	7012-023	Hex Nut, 1/4" NC	4
45	7440-023	Hex Nut, #10 NF	10
46	46260-501-03	Jumper, Terminal Block	4
47	46026-019-03	Nipple, 1" Chase	1
48	56018-003-12	Wire, 6 Awg Type TFE - White	5'
49	46026-016-03	Locknut, 1"	1
50	46000-500-03	Knob, Black Plastic - with Screw	2
51	46245-003-39	Transformer, 100:5 Current	1

Note: All parts available in kit form

**Return to Table
of Contents Page**



Valve Assembly - Pump Load Sensing
Part Number: 9704-662-47



Ref. No.	Part Number	Description	Quantity
1	45191-504-14-02	Nipple, Coupling	1
2	45191-504-14-04	Cap, 1/4"	1
3	9704-661-92	Manifold, Valve	1
4	7430-264	Connector, 3/4" x 1-5/16"	4
5	7430-255	Connector, 1/2"	1
6	7430-417	Elbow, 90° 3/8" x 7/16"	1
7	45080-527-04	Fitting, 1/4" Port	2
8	7430-434	Plug, 1"	1
9	7430-423	Connector, 1/4" x 3/8"	1
10	45259-012-08	Orifice Blank, 5/8" Fitting	1
11	45252-009-58	Relief Valve, 5000 PSI	1
12	45252-007-27	Cartridge, Needle Valve	1
13	45252-003-06-01	Valve, 3000 PSI	1
14	45252-010-32	Valve, Check	1
15	45720-775-40	Plug	2
16	45191-509-36	Caplug	4

[Return to Table
of Contents Page](#)

Table of Contents

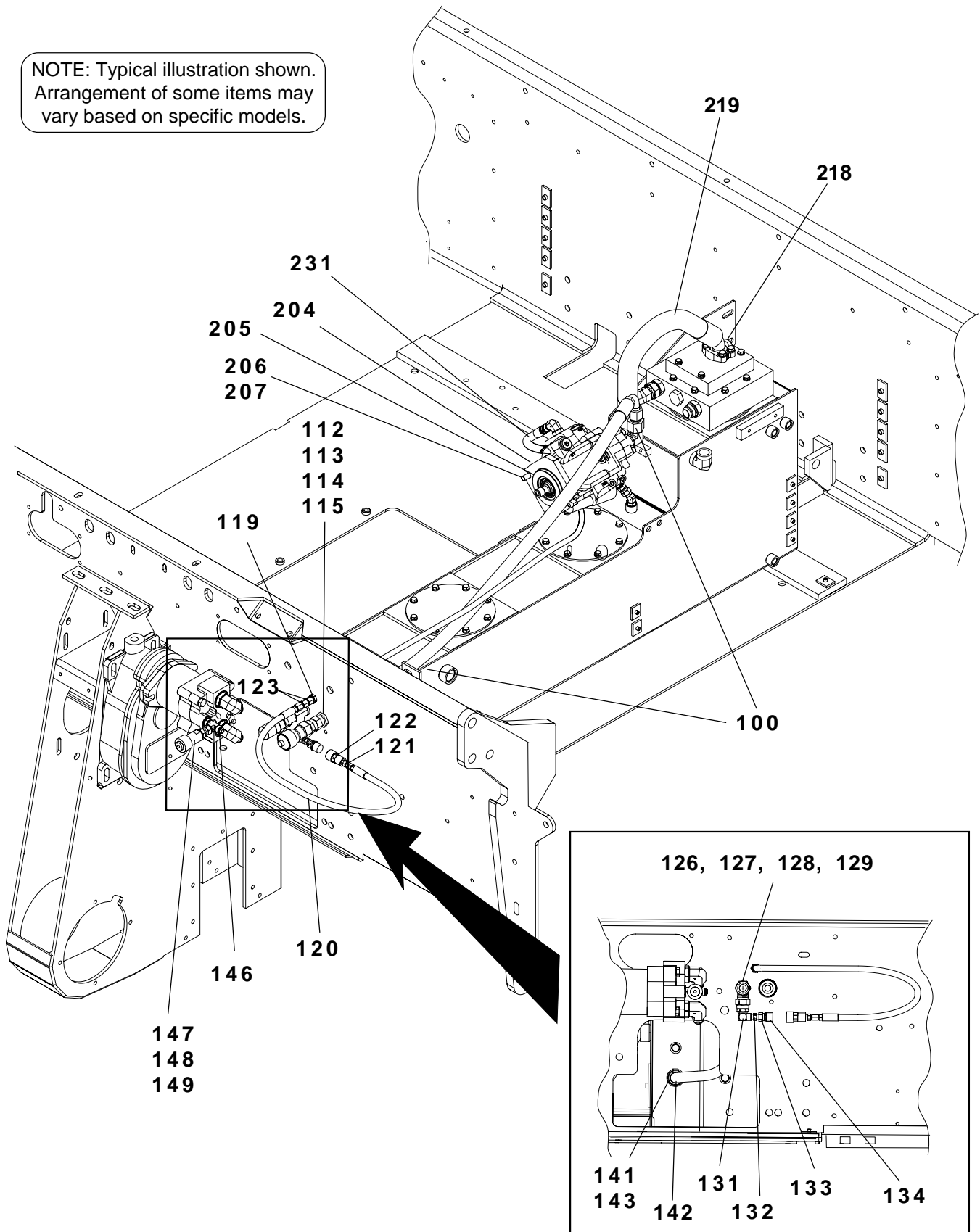
Generator Plumbing & Hydraulic Components - 05037PRD

Ref No.	Description	Page No.
1	Tractor Plumbing/Generator Hydraulic Pump - Illustration	2
2	Tractor Plumbing/Generator Hydraulic Pump - Parts List	3
3	Tractor Generator Pump Connections - Illustration	4
4	Tractor Generator Pump Connections - Parts List	5
5	Fuel Pump Switch Addition	6

**Return to Table
of Contents Page**

Tractor Plumbing/Generator Hydraulic Pump

NOTE: Typical illustration shown.
Arrangement of some items may
vary based on specific models.



**Return to Table
of Contents Page**



Tractor Plumbing/Generator Hydraulic Pump

Parts List No. 5037PRD

Ref. No.	Part Number	Description	Quantity
100	Reference Only	See Tractor Generator Pump Connections, Following Page	-
112	7430-369	Union, 3/4" JIC Bulkhead	1
113	7430-435	Connector, 3/4" MPT x 3/4" J	1
114	45191-504-31	Female Coupler, 3/4" FPT	1
115	45191-506-03	Dust Plug, 3/4" QD	1
119	7430-366	Union, 3/8" JIC Bulkhead	1
120	7660-054-33-01	Hose, 100R2 x 54"	1
121	7430-004	Connector, 1/4" P x #6 JIC	1
122	45191-504-14-01	Coupler, 1/4" QD	1
123	45259-012-03	Fitting, Orifice 5/64" Diameter	2
126	7430-438	Tee, #12 Run Bulkhead	1
127	7430-435	Connector, 3/4" MPT x 3/4" J	1
128	45191-504-30	Male Coupler, 3/4" FPT	1
129	45191-505-04	Dust Cap, 3/4" QD	1
131	45720-776-43	Adaptor 90 Degree #12 JIC	1
132	45720-770-21	Nipple, 1/4" x 1/4"	1
133	45191-504-14-02	Nipple Coupling	1
134	45191-504-14-04	Cap 1/4"	1
141	7431-024	Hose End, 3/4" Hose Swivel	2
142	50030-002-05	Hose, 3/4" ID	As Req
143	45191-004-34	Clamp, 9/16"-1-1/16"	2
146	7430-292	Tee, 1/2" JIC x 1/2" SAE Run	1
147	7430-413	Connector, 1/2" MPT 1/2" JIC	1
148	45191-504-01	Coupler, 1/2"	1
149	45191-504-01-01	Dust Plug, 1/2" Coupler	1
204	45080-002-81	Pump, Generator	1
205	45240-125-65	O Ring, 3.739" ID x .070" WA	1
206	7383-070	Capscrew, 1/2" NC x 1-1/2	2
207	7014-005	Lockwasher, 1/2"	2
218	7430-467	Elbow, 1-1/2" x 1-1/4"	1
219	7635-025-37-01	Hose Assembly	1
231	7652-024-33	Hose Assembly, 1/2" ID x 24"	1

**Return to Table
of Contents Page**



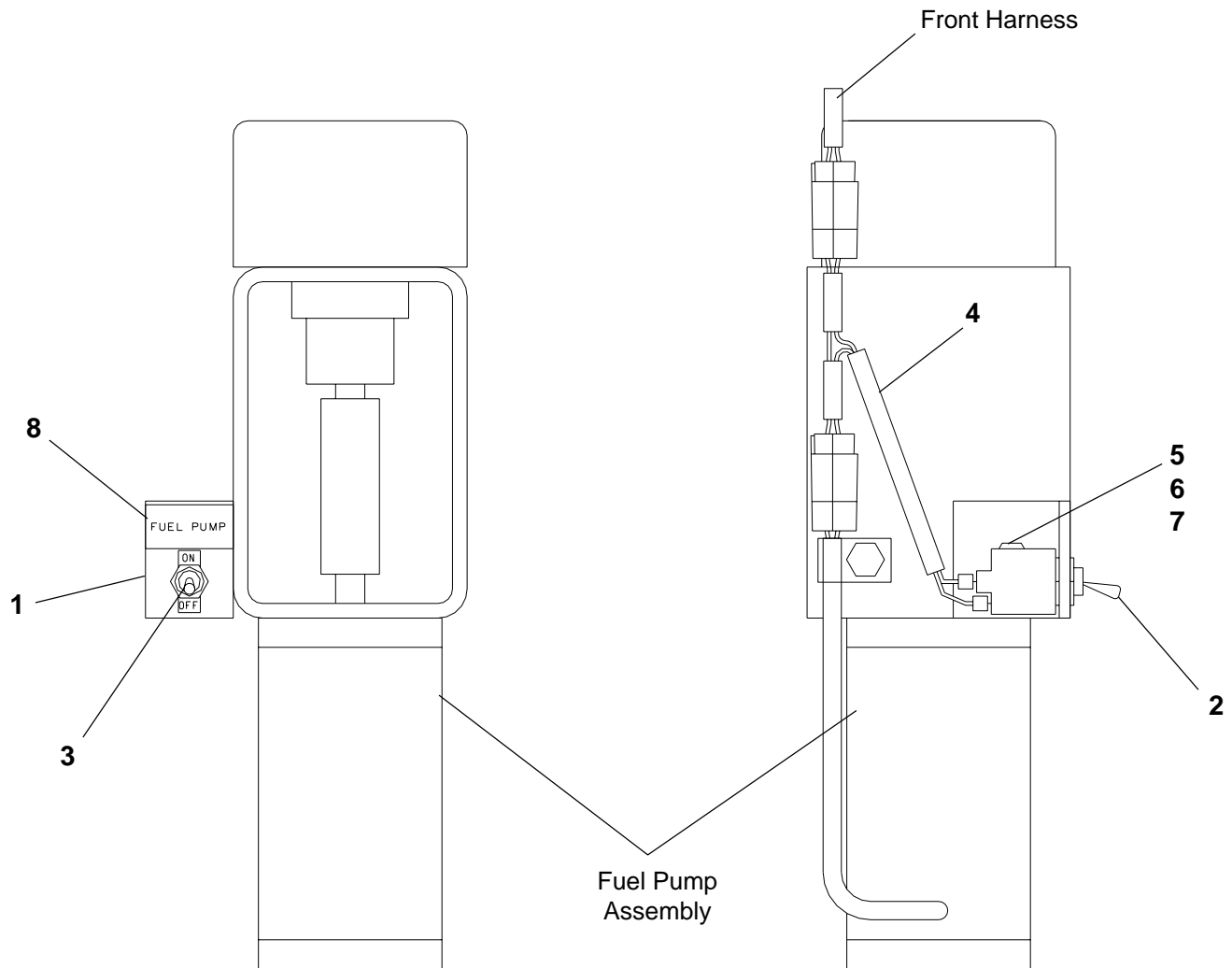
Tractor Generator Pump Connections
Parts List No 5037PRD

Ref. No.	Part Number	Description	Quantity
104	45191-004-96	Flange Kit	1
105	7430-285	Elbow, #16 SAE #16 JIC	1
106	7683-056-35	Hose Assembly	1
107	7430-331	Reducer, 1" to 3/4"	1
108	7430-211	Nut, 1" JIC	1
112	7430-369	Union, 3/4" JIC Bulkhead	1
118	7660-054-33-01	Hose, 100 R2 x 54"	1
119	7430-366	Union, 3/8" JIC, Bulkhead	1
126	7430-438	Tee, #12 Run, Bulkhead	1
140	7430-387	Elbow, 3/4" Swivel Nut	1
141	7431-024	Hose End, 3/4" Hose Swivel	2
142	50030-002-05	Hose, 3/4" ID	As Req
143	45191-004-34	Clamp, 9/16" - 1-1/16"	2
209	7430-279	Elbow, #10 SAE, #8 JIC	1
210	7340-417	Elbow, 7/16" SAE 3/8" JIC	1
219	7635-025-37-01	Hose Assembly	1
220	45259-508-68	O Ring, 1.859" ID	1
221	45191-004-93	Half Flange, 1 1/2 "	2
222	7383-070	Capscrew, 1/2" NC x 1 1/2	4
223	7014-005	Lockwasher, 1/2" NC x 1 1/2	4
231	7652-024-33	Hose Assembly, 1/2 ID x 24"	1
233	9704-322-42	Adapter, Generator Pump	1
234	45259-508-65	O Ring, 2.234" ID	1
235	7025-021	Capscrew, SCH 1/2 NC x 1 1/4	4

See also Tractor Plumbing/Generator Hydraulic Pump, this section

**Return to Table
of Contents Page**

Fuel Pump Switch



Ref. No.	Part Number	Description	Quantity
1	9704-416-43	Bracket, Switch	1
2	46200-009-06	Switch, Toggle	1
3	46200-508-02	Tag, Toggle Switch	1
4	9704-410-82	Harness, Switch	1
5	7383-038	Capscrew, 3/8" NC x 1"	1
6	7014-003	Lockwasher, 3/8"	1
7	7012-025	Hex Nut, 3/8" NC	1
8	7515-047	Nameplate, Fuel Pump	1

**Return to Table
of Contents Page**



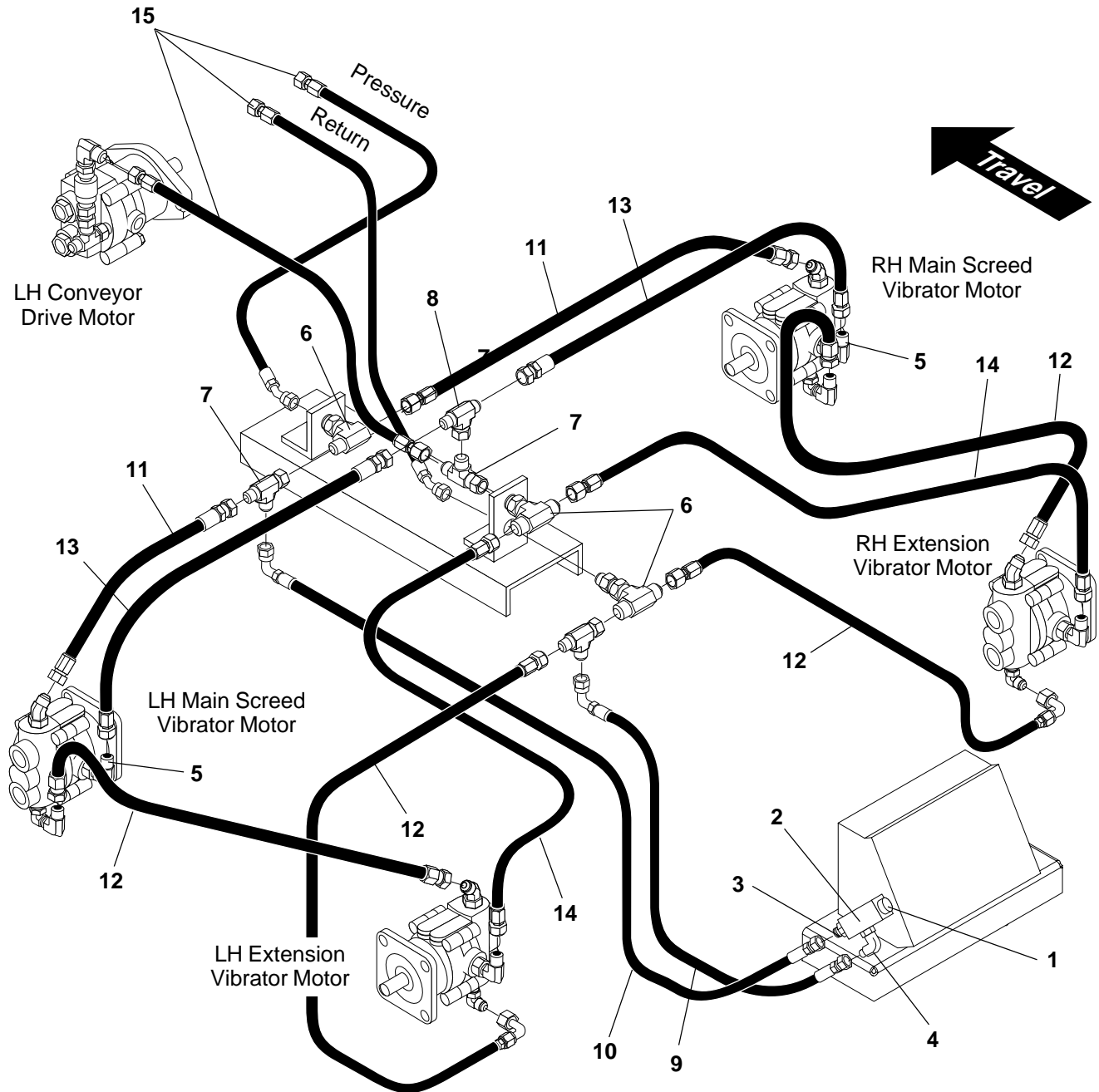
Table of Contents

Basic Hydraulic Components for Stretch 20 Screed - 05037PRG

Ref No.	Description	Page No.
<u>1</u>	<u>Vibrator Hydraulic Lines - Illustration</u>	<u>2</u>
<u>2</u>	<u>Vibrator Hydraulic Lines - Parts Listing</u>	<u>3</u>
<u>3</u>	<u>Power Function Hydraulics - Illustration</u>	<u>4</u>
<u>4</u>	<u>Power Function Hydraulics - Parts Listing</u>	<u>5</u>
<u>5</u>	<u>Left Hand Screed Valve Assembly</u>	<u>6</u>
<u>6</u>	<u>Right Hand Screed Valve Assembly</u>	<u>7</u>

**Return to Table
of Contents Page**

Vibrator Hydraulic Lines



**Return to Table
of Contents Page**

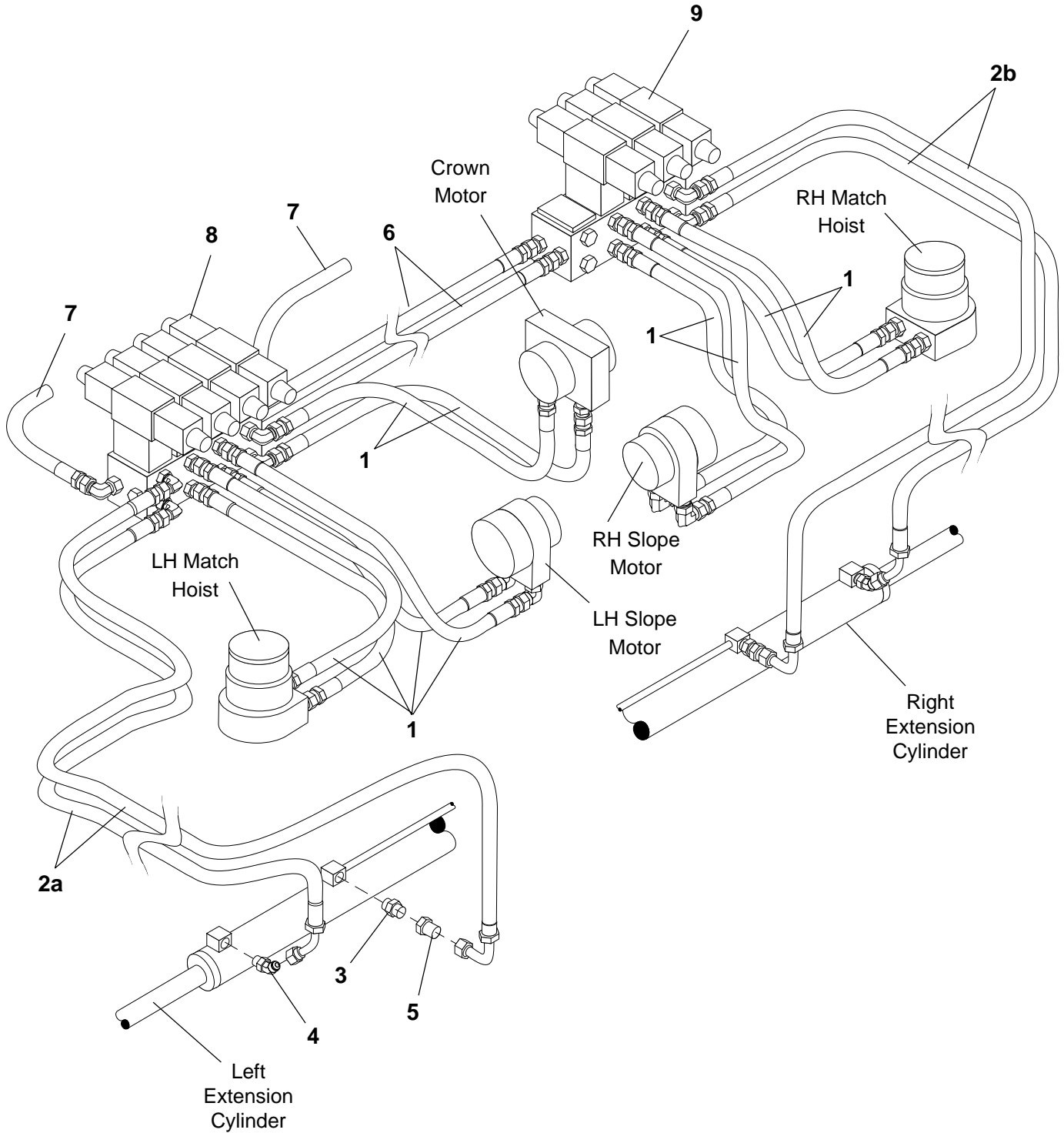


Vibrator Hydraulic Lines

Ref. No.	Part Number	Description	Quantity
1	45252-007-13	Valve, Flow Regulator	1
2	45252-004-60	Body, Line Mounted	1
3	7430-255	Fitting, 1/2" with #18 O-Ring	1
4	7430-278	Elbow, 90° 1/2" with #18 O-Ring	1
5	7430-417	Elbow, 7/16" x 3/8" with #19 O-Ring	2
6	7430-393	Tee, 1/2" Bulkhead	3
7	7430-345	Tee, 1/2" Run	3
8	7430-356	Tee, 1/2" Branch	1
9	7652-024-35	Hose Assembly - Tee to Flow Regulator	1
10	7652-028-35	Hose Assembly - Tee to Flow Regulator	1
11	7651-060-33-01	Hose Assembly - Pressure to Main Vibrator Motors	2
12	7651-216-35-01	Hose Assembly - Motor to Motor Crossover & Return Line	4
13	7651-066-33-01	Hose Assembly - Main Screed Vibrator Motor Case Drain	2
14	7651-205-33-01	Hose Assembly - Extension Vibrator Motor Case Drain	2
15	Reference Only	See Paver to Screed Hydraulic Lines - This Section	-
16	45259-508-14	O-Ring (For Hydraulic Fittings)	As Req
17	45259-508-12	O-Ring (For Hydraulic Fittings)	As Req

**Return to Table
of Contents Page**

Power Function Hydraulics



**Return to Table
of Contents Page**

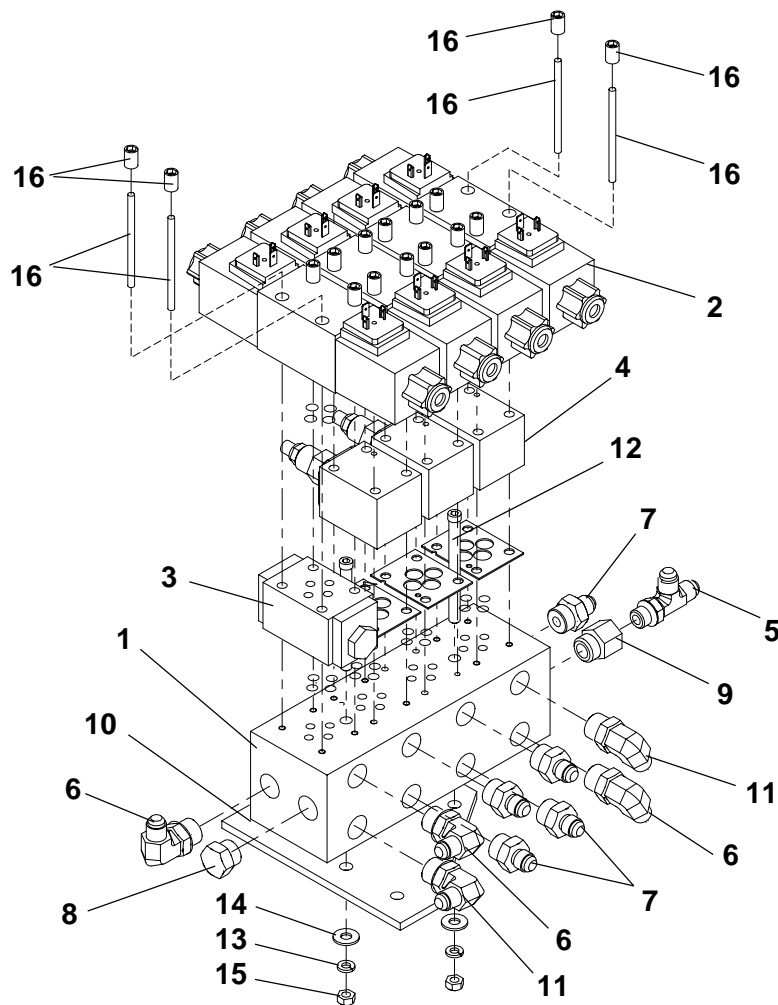


Power Function Hydraulics

Ref. No.	Part Number	Description	Quantity
1	7650-033-33-01	Hose Assembly, Valve to Hydraulic Motors	10
2a	7651-067-38	Hose Assembly, Left Extension Cylinder	2
2b	7651-072-38	Hose Assembly, Right Extension Cylinder	2
3	7430-252	Connector, 3/8" with O-Ring	2
	45259-508-13	O-Ring (for above fitting)	As Req
4	7430-313	Elbow, 45° 3/8" with O-Ring	2
	45259-508-13	O-Ring (for above fitting)	As Req
5	45259-012-03	Restrictor Fitting	2
6	7651-043-33	Hose Assembly, Valve Crossover	2
7	Reference Only	See Paver to Screed Hydraulic Lines - This Section	-
8	Reference Only	See Left Hand Valve Assembly - Following Pages	-
9	Reference Only	See Right Hand Valve Assembly - Following Pages	-

**Return to Table
of Contents Page**

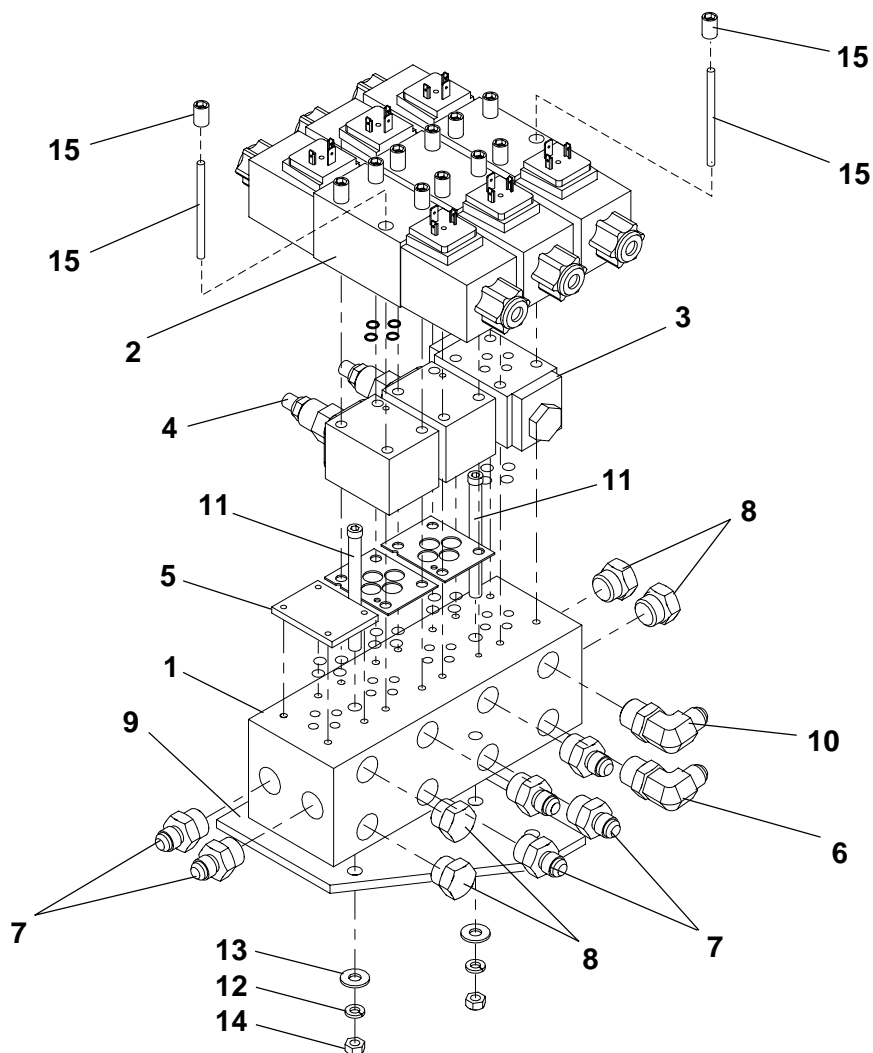
Left Hand Screed Valve



Ref. No.	Part Number	Description	Quantity
	9704-662-89	Valve Assembly - Complete	1
1	45252-501-11	Manifold, Block	1
2	45252-005-53	Valve, Solenoid	4
3	45252-014-16	Valve, Double Pilot Check	1
4	45252-007-30	Valve, Needle	3
5	7430-291	Tee, 3/8" Run - with #17 O-Ring	1
6	7430-276	Elbow, 90° 3/4" x 3/8" - with #18 O-Ring	2
7	7430-253	Connector, 3/4" x 3/8" - with #18 O-Ring	7
8	7430-382	Plug, 3/4" - with #18 O-Ring	1
9	45720-775-55	Reducer, 1/2" x 3/8"	1
10	9704-564-06	Plate, Valve Mount	1
11	7430-383	Elbow, 90° 3/8"	3
12	7025-088	Capscrew, 5/16"-18 x 3"	2
13	7014-002	Lockwasher, 5/16"	2
14	7014-017	Washer, 5/16"	2
15	7012-024	Hex Nut, 5/16" -18	2
16	9704-661-98	Kit, Bolt (includes studs & studnuts)	4
17	45259-508-12	O-Ring, 7/16" (For hydraulic fittings)	As Req
18	45259-508-14	O-Ring, 3/4" (For hydraulic fittings)	As Req

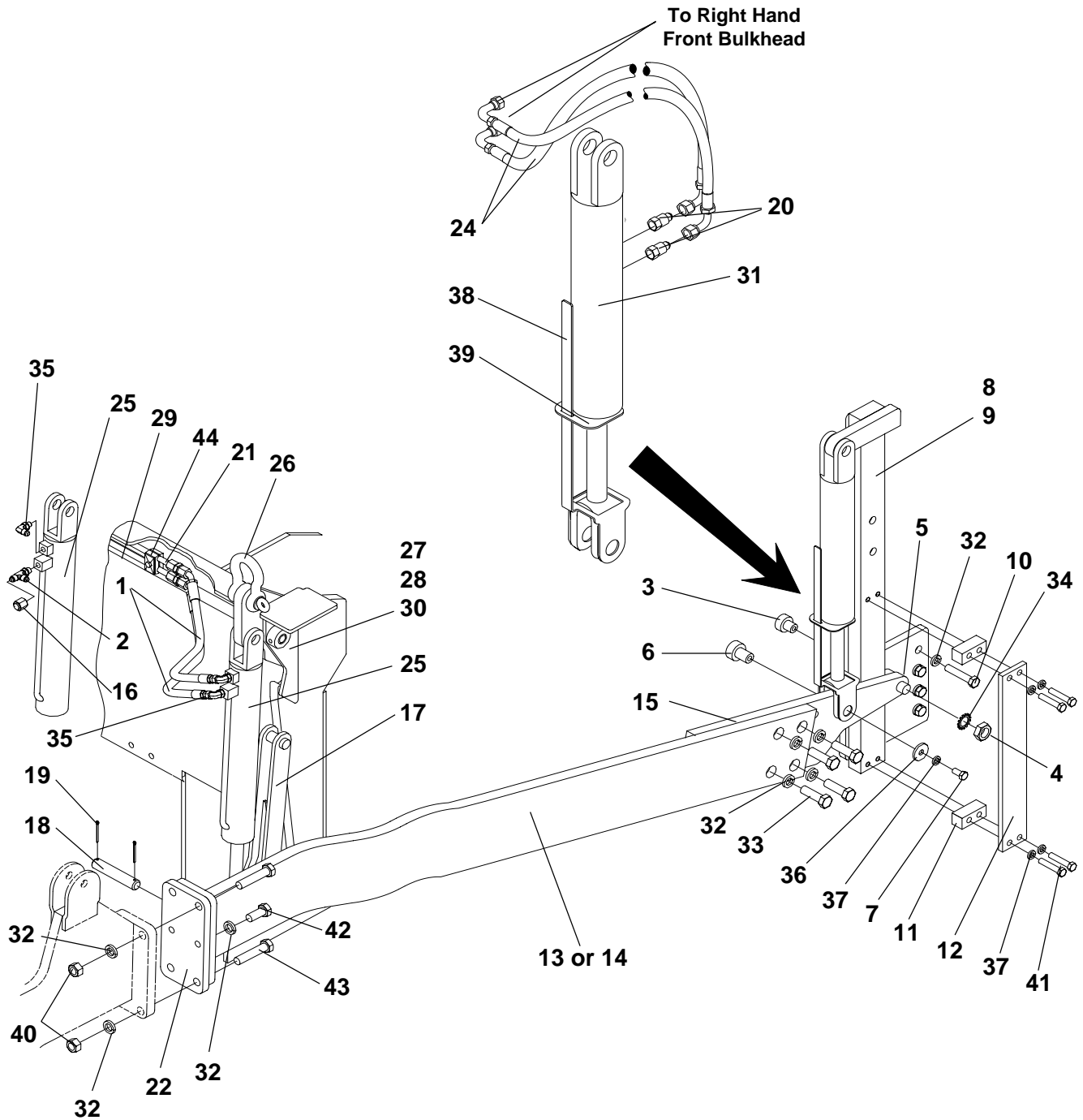
**Return to Table
of Contents Page**

Right Hand Screed Valve



Ref. No.	Part Number	Description	Quantity
	9704-662-90	Valve Assembly - Complete	1
1	45252-501-11	Manifold, Block	1
2	45252-005-53	Valve, Solenoid	3
3	45252-014-16	Valve, Double Pilot Check	1
4	45252-007-30	Valve, Needle	2
5	45252-503-02	Plate, Cover	1
6	7430-276	Elbow, 90° 3/4" x 3/8" - with #16 O-Ring	1
7	7430-253	Connector, 3/4" x 3/8" - with #16 O-Ring	7
8	7430-382	Plug, 3/4" - with #16 O-Ring	4
9	9704-564-06	Plate, Valve Mount	1
10	7430-383	Elbow, 90° 3/8"	1
11	7025-088	Capscrew, 5/16-18 x 3"	2
12	7014-002	Lockwasher, 5/16"	2
13	7014-017	Washer, 5/16"	2
14	7012-024	Hex Nut, 5/16"	2
15	9704-661-98	Kit, Bolt (includes studs & studnuts)	3
16	45259-508-14	O-Ring, 3/4" (For hydraulic fittings)	As Req

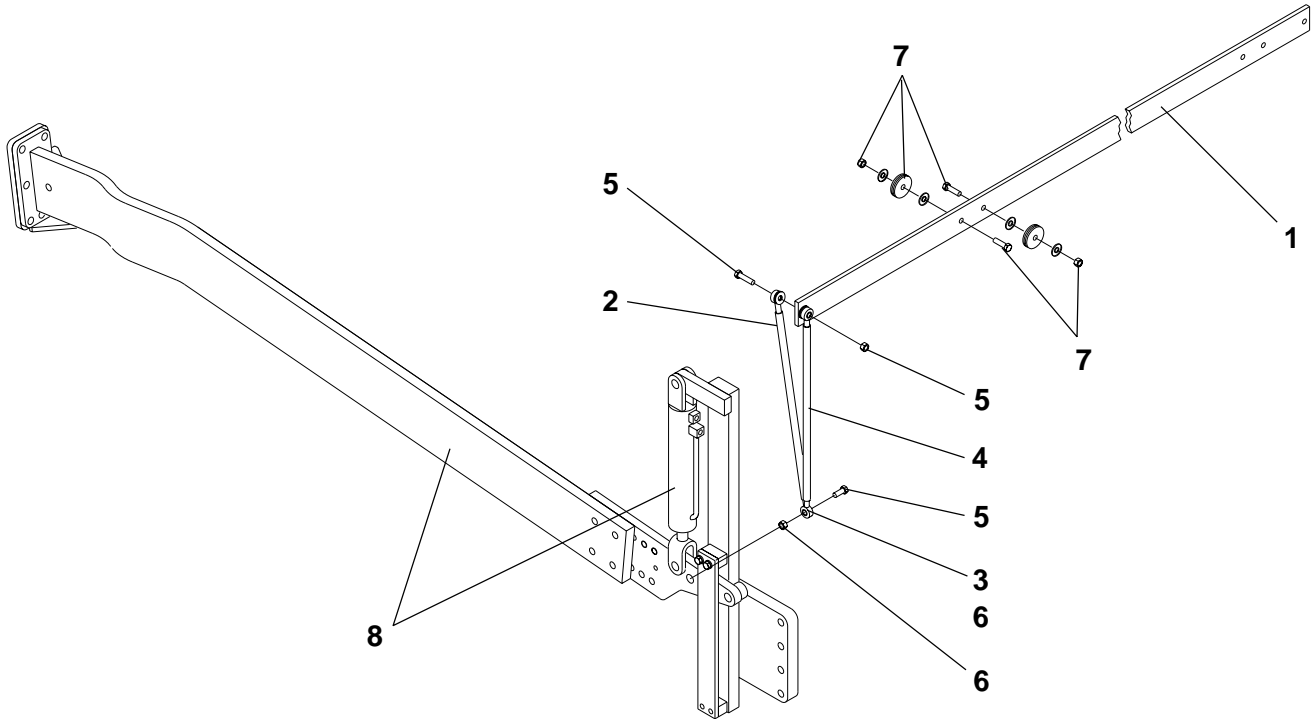
Screed Pull Arms



Screed Pull Arms

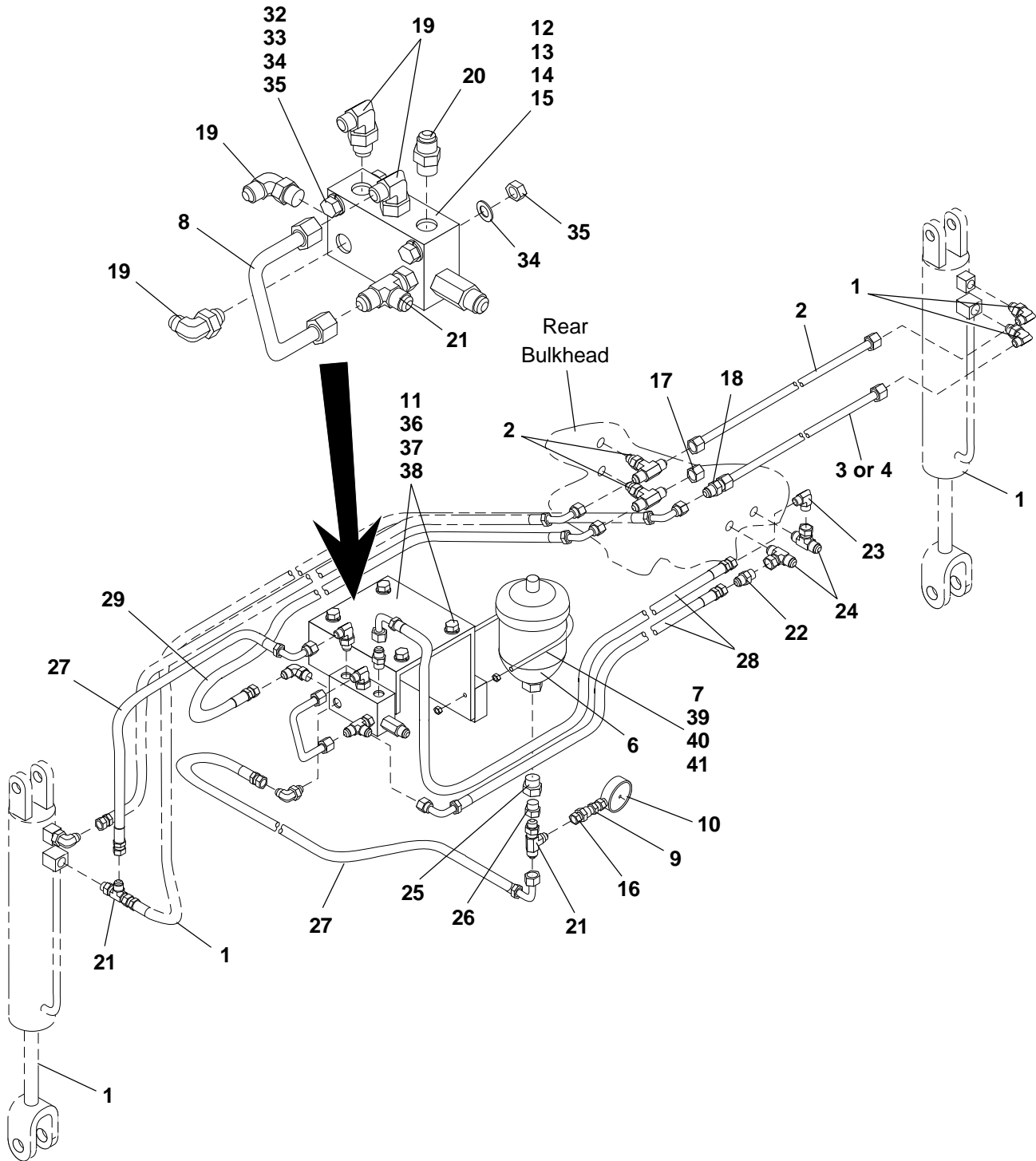
Ref. No.	Part Number	Description	Quantity
1	7651-029-34-01	Hose Assembly	4
2	7430-291	Tee, 3/8" - With #46 O-Ring	1
3	45134-002-83	Cam Follower Bearing	2
4	7017-054	Hex Nut, 1"	2
5	45245-014-01	Fitting, Drive (Use tool 45245-015-01)	2
6	9704-557-22	Bushing, Pull Arm	2
7	7394-068	Capscrew, 1/2" NC x 1"	2
8	9704-559-71	Mount, Cylinder - Left Hand (Not Shown)	1
9	9704-559-72	Mount, Cylinder - Right Hand	1
10	{ 7383-122	Capscrew, 3/4" NC x 3"	8
	{ 7383-120	Capscrew, 3/4" NC x 2-1/2"	8
11	9704-551-28	Spacer	4
12	9704-560-46	Flat, Pull Arm Slide	2
13	9704-582-69	Arm, Pull - Left Hand (Not Shown)	1
14	9704-582-70	Arm, Pull - Right Hand	1
15	9704-575-57	Plate, Nose Piece	2
16	7430-228	Cap, 3/8"	1
17	9704-905-42	Lock, Screed	2
18	9704-312-49	Pin, Cylinder	2
19	7011-066	Cotter Pin, 5/32" x 2"	4
20	7430-252	Connector, 3/8" x 3/8" with #45 O-Ring	4
21	7430-385	Fitting, Union 1/2"	2
22	Not Required	Bracket, Lift - Right Hand	1
23	Not Required	Bracket, Lift - Left Hand (Not Shown)	1
24	7650-034-35-02	Hose Assembly	4
25	45090-007-86	Hydraulic Cylinder - Uses Item #47 Seal Kit	2
26	7262-020	Shackle, 3-1/4"	2
27	9704-905-01	Lock, Screed Release - Left Hand (Not Shown)	1
28	9704-905-02	Lock, Screed Release - Right Hand	1
29	9704-904-98	Rod, Screed Lock Release	1
30	7238-141	Roll Pin, 3/8" x 2"	2
31	45090-007-85	Hydraulic Cylinder - Uses Item #47 Seal Kit	2
32	7014-009	Lockwasher, 3/4"	28
33	7383-120	Capscrew, 3/4" NC x 2-1/2"	8
34	7007-015	Washer, Shakeproof	2
35	7430-275	Elbow, 90° 3/8" with #45 O-Ring (See Basket Plumbing)	3
36	9700-459	Washer	2
37	7014-005	Lockwasher, 1/2"	10
38	9704-903-47	Indicator, Slope	2
39	9704-903-70	Guide, Indicator	2
40	7012-030	Hex Nut, 3/4"	16
41	7383-076	Capscrew, 1/2" NC x 3"	8
42	7383-117	Capscrew, 3/4" NC x 1-3/4"	4
43	7383-124	Capscrew, 3/4" NC x 3-1/2"	8
44	Reference Only	See Basket Plumbing, Section 7	-
45	45259-508-13	O-Ring (For hydraulic fittings)	As Req
46	45259-508-12	O-Ring (For hydraulic fittings)	As Req
47	45090-007-85-01	Seal Kit (For hydraulic cylinders)	As Req

Slope Beam



Ref. No.	Part Number	Description	Quantity
1	9704-903-28	Beam, Slope	1
2	45134-011-19	Rod End, 1/2" Male Stud - <i>Left Hand Threads</i>	2
3	45134-011-10	Rod End, 1/2" Male Stud - <i>Right Hand Threads</i>	2
4	9704-903-31	Tie Rod, Slope Beam	2
5	7383-072	Capscrew, 1/2" NC x 2"	2
	7394-070	Capscrew, 1/2" NF x 1-1/2"	2
	45890-102-28	Locknut, 1/2" NC	2
	7014-020	Washer, 1/2"	4
6	45890-100-26	Hex Nut, 1/2" NF - <i>Left Hand Threads</i>	2
	7017-049	Hex Nut, 1/2" NF Jam	4
7	7383-072	Capscrew, 1/2" NC x 2"	2
	2833B17C	Washer, 1/2"	6
	45890-102-28	Locknut, 1/2" NC	2
	7014-020	Washer, 1/2"	4
8	Reference	<i>See Screed Pull Arms, Section 5</i>	

Screed Assist Hydraulic System



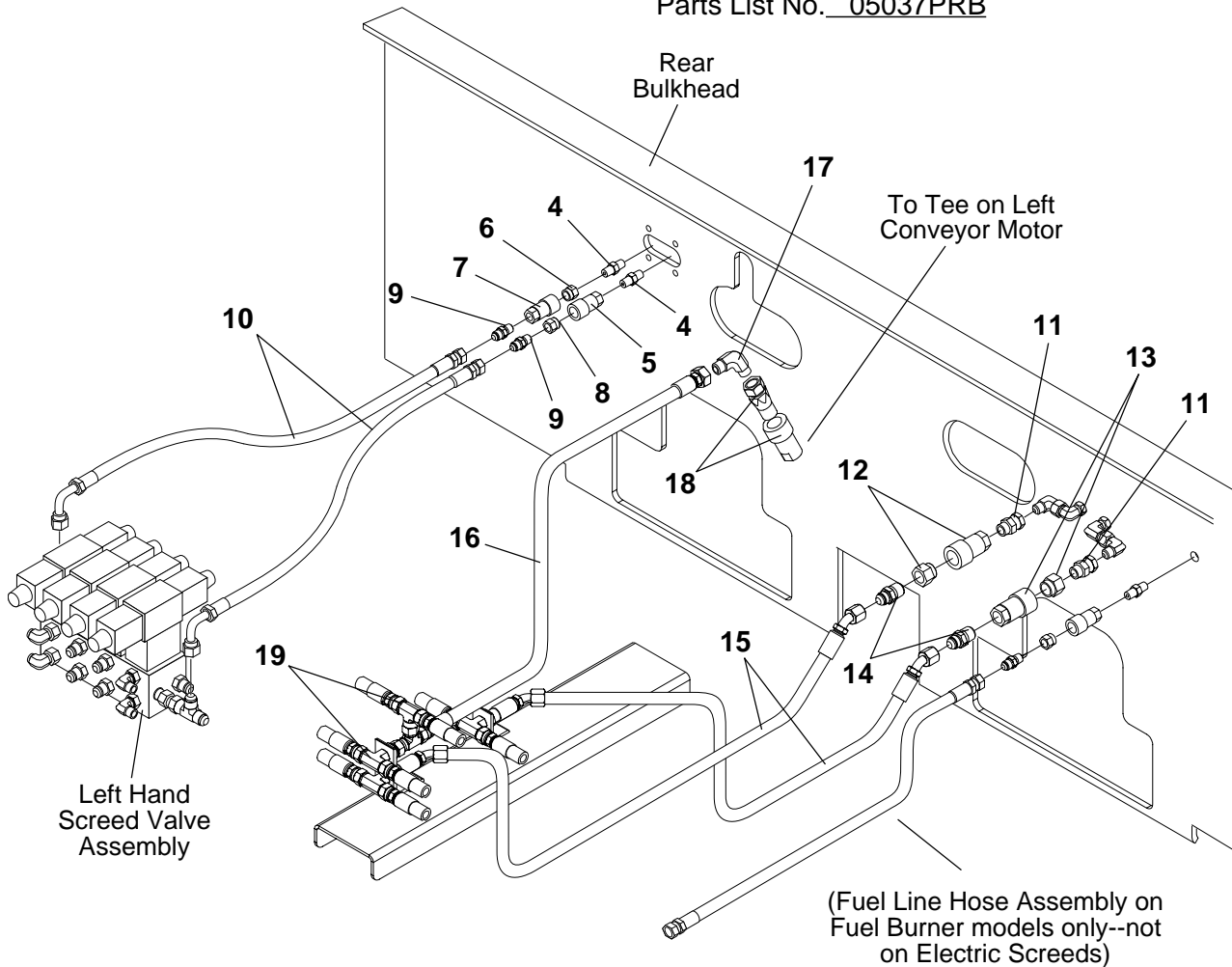
Note: As of 11/27/02, these parts pages apply to all current production Grayhound Pavers for the following Engineering BOM's: 5032VAD, 5032VAF, 5032VAH, 5210RH & 5210RJ.

Screed Assist Hydraulic System

Ref. No.	Part Number	Description	Quantity
1	Reference Only	See Screed Pull Arms - Section 5	-
2	Reference Only	See Basket Plumbing - This Section	-
3	9704-658-76	Tube Assembly - Screed Lift (For 300 Series Pavers)	1
4	9704-657-43	Tube Assembly - Screed Lift (For 400/500 Series Pavers)	1
	9704-660-92	Screed Assist Kit - Complete	-
5	9704-415-56	Electrical Components Kit - Complete (Not Shown)	1
6	45085-502-08	Accumulator, 2 Liter	1
7	45085-502-08-01	Clamp, Accumulator	1
8	9704-657-21	Tube Assembly, Manifold Tank	1
9	7084-002	Coupling, 1/4" Pipe	1
10	45865-002-33	Gauge, 0-600 PSI	1
11	9704-657-39	Bracket, Valve	1
	9704-661-81	Manifold, Screed Assist - Complete	-
12	9704-657-18	Manifold, Valve	1
13	45252-009-33	Valve, Pressure Reducing	1
14	45252-007-18	Valve, Needle	1
15	45251-001-79-01	Valve, Solenoid	1
	9704-661-27	Hydraulic Kit, Screed Assist - Complete	-
16	7430-423	Connector, 1/4" x 3/8"	1
17	7430-229	Cap, 1/2"	1
18	7430-385	Union, 1/2"	1
19	7430-275	Elbow, 90° 9/16" x 3/8" - with #30 O-Ring	4
20	7430-252	Connector, 9/16" x 3/8" - with #30 O-Ring	1
21	7430-291	Tee, 3/8" x 3/8" Run - with #31 O-Ring	3
22	7430-004	Connector, 1/4" x 3/8"	1
23	7430-019	Elbow, 90° 1/4" x 3/8"	1
24	45720-775-38	Tee, 1/4" Pipe Run	2
25	45720-775-12	Reducer, 1-1/16" x 3/4"	1
26	45720-775-55	Reducer, 3/4" x 9/16"	1
27	7651-019-35	Hose Assembly - Valve to Accumulator and Cylinder	2
28	7651-052-35	Hose Assembly - Pressure & Return Lines	2
29	7651-029-34-01	Hose Assembly - Valve to Bulkhead Tee	1
30	45259-508-13	O-Ring, 9/16" (For Hydraulic Fittings)	As Req
31	45259-508-12	O-Ring, 7/16" (For Hydraulic Fittings)	As Req
	9704-661-26	Bolt Kit, Screed Assist - Complete	-
32	7383-046	Capscrew, 3/8" NC x 3"	2
33	7014-003	Lockwasher, 3/8"	4
34	7014-018	Washer, 3/8"	4
35	7012-025	Hex Nut, 3/8" NC	2
36	7383-069	Capscrew, 1/2" NC x 1-1/4"	4
37	7012-027	Hex Nut, 1/2" NC	4
38	7014-005	Lockwasher, 1/2"	4
39	7383-023	Capscrew, 5/16" x 1-1/4"	2
40	7014-002	Lockwasher, 5/16"	3
41	7012-024	Hex Nut, 5/16"	2
42	7383-026	Capscrew, 5/16" x 2" Clamp Hardware (Not Shown)	1
43	45890-102-37	Washer, 5/16" Gripco Clamp Hardware (Not Shown)	1

Note: As of 11/27/02, these parts pages apply to all current production Grayhound Pavers for the following Engineering BOM's: 5032VAD, 5032VAF, 5032VAH, 5210RH & 5210RJ.

Paver to Electric Scream Hydraulic Lines
Parts List No. 05037PRB



Ref. No.	Part Number	Description	Quantity
4	45720-770-21	Nipple, 1/4"	2
5	45191-504-14-01	Coupler, 1/4"	1
6	45191-504-14-02	Nipple, 1/4"	1
7	45191-504-14-01	Coupler, 1/4"	1
8	45191-504-14-02	Nipple, 1/4"	1
9	7430-004	Connector, 1/4" x 3/8"	2
10	7651-039-35	Hose Assembly, 3/8" Auxiliary Supply to Scream	2
11	7430-413	Connector, 1/2" x 1/2"	2
12	45191-504-01	Coupler, 1/2" Quick Disconnect	1
13	45191-504-01	Coupler, 1/2" Quick Disconnect	1
14	7430-007	Connector, 1/2"	2
15	7652-054-34	Hose Assembly, 1/2" Scream Vibrator Supply	2
16	7652-054-34	Hose Assembly, 1/2" Scream Vibrator Case Drain	1
17	7430-022	Elbow, 90° 1/2"	1
18	45191-504-01	Coupler, 1/2" Quick Disconnect	1
19	Reference Only	See Vibrator Hydraulic Lines - This Section	-

**Return to Table
of Contents Page**



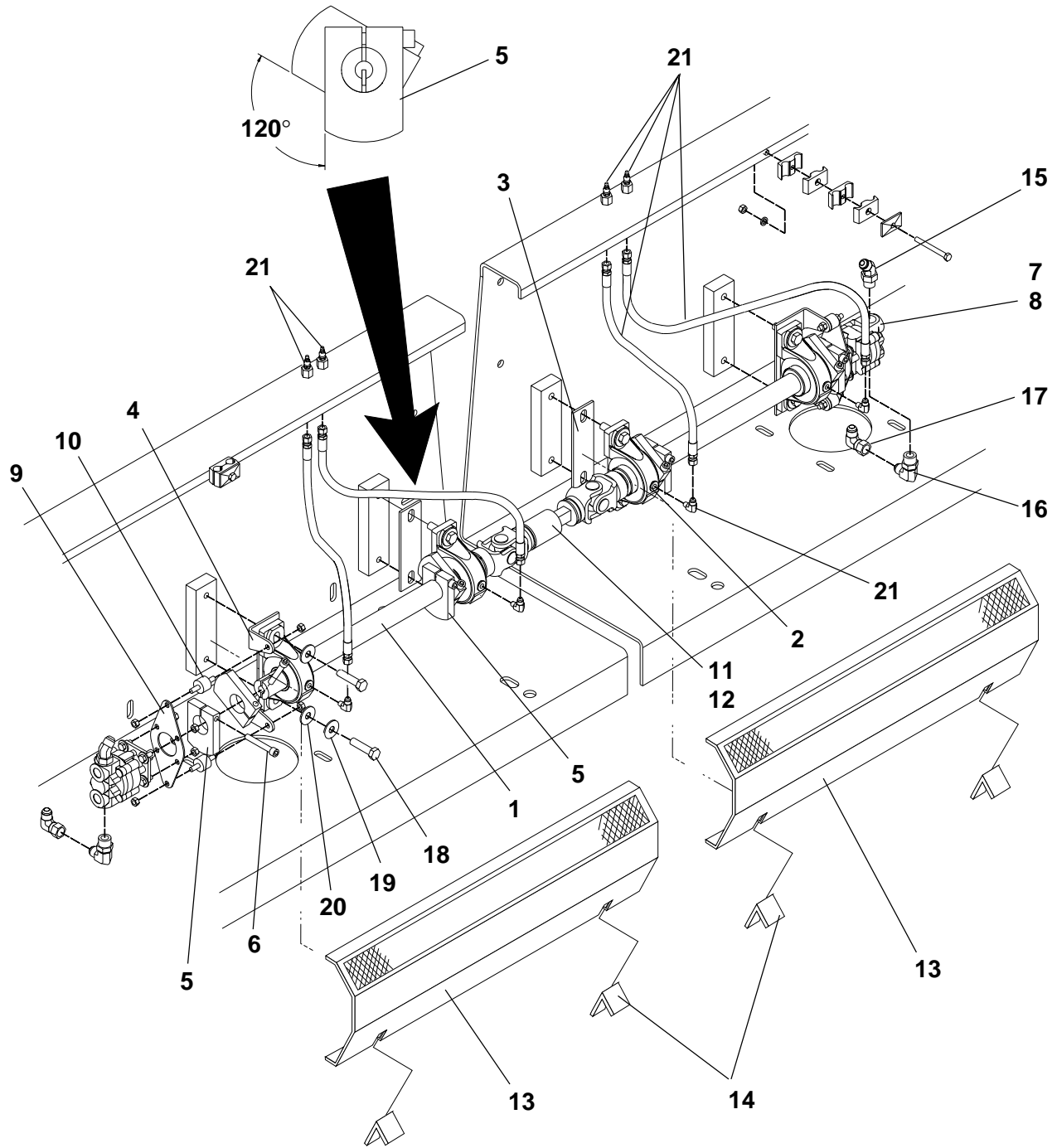
Table of Contents

Hydraulic Vibrator Components for Stretch 20 - 05037PKS

Ref No.	Description	Page No.
<u>1</u>	<u>Hydraulic Vibrators - Front Screed Illustration</u>	<u>2</u>
<u>2</u>	<u>Hydraulic Vibrators - Front Screed Parts List</u>	<u>3</u>
<u>3</u>	<u>Hydraulic Vibrators - Rear Extending Screed</u>	<u>4</u>
<u>4</u>	<u>Grease Lines - Hydraulic Vibrators</u>	<u>5</u>

**Return to Table
of Contents Page**

Hydraulic Vibrators - Front Screed



**Return to Table
of Contents Page**

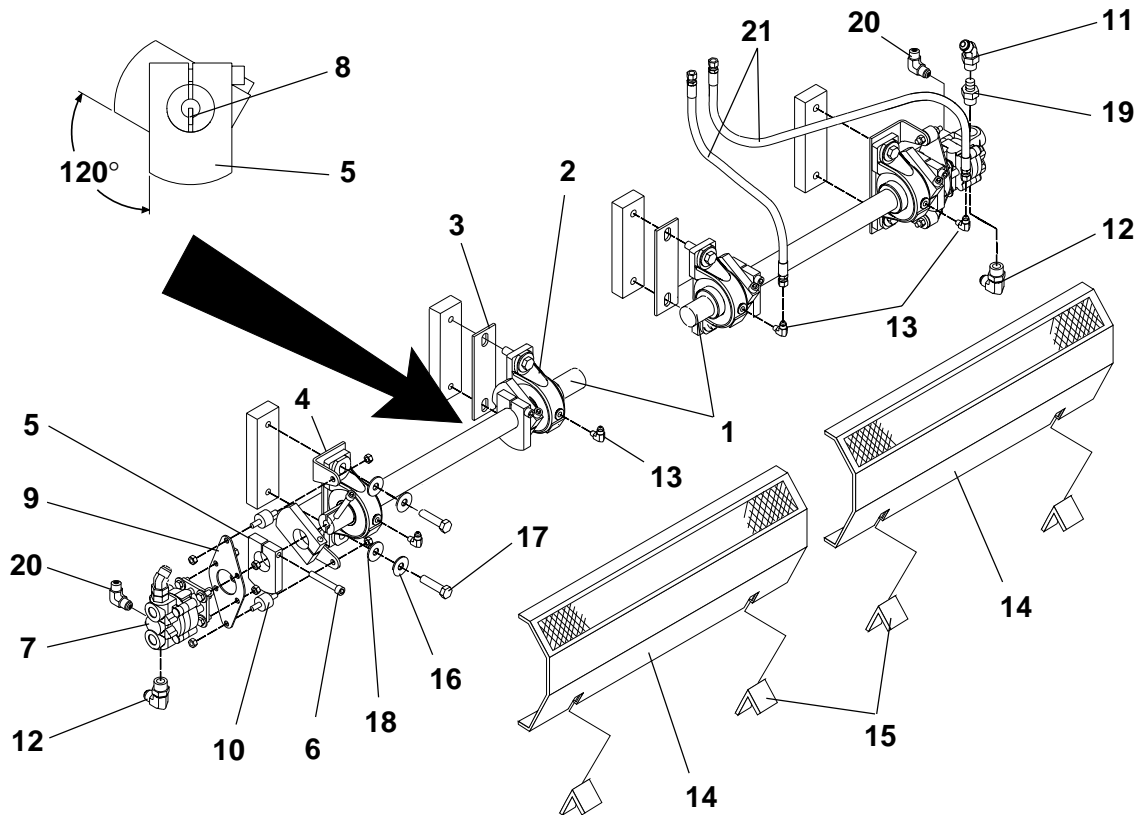


Hydraulic Vibrators - Front Screed

Ref. No.	Part Number	Description	Quantity
1	9704-576-13	Shaft, Vibrator	2
2	45125-505-10	Pillow Block Bearing	4
3	9704-557-15	Shim. Plate	2
4	9704-557-17	Plate, Tube Assembly	2
5	9704-557-11	Weight, Vibrator	8
6	7025-018	Capscrew, 3/8" x 2-1/2" Sockethead	8
7	45080-006-25	Hydraulic Motor	2
	Consult Factory	Seal Kit (for Above Motor)	2
8	40831-000-81	Key, 1/8" x 1/2"	2
9	9704-557-14	Mount, Motor	2
10	45395-001-22	Isolator, Neoprene	4
11	45377-001-26	Shaft, Drive	1
12	40800-001-01	Key, 1/4" Square	1
13	9704-566-35	Shield, Heat	2
	9704-559-53	Clip, Guard Hold	4
14	7072-194	Bolt, Carriage 1/2" NC X 1-3/4"	4
	45870-001-30	Spring, Compression	4
	45890-102-28	Locknut, 1/2" NC	4
15	7430-315	Elbow, 45 Deg 7/8" x 1/2" - with #22 O-Ring	2
16	7430-279	Elbow, 90 Deg 5/8" x 1/2" - with #23 O-Ring	2
17	7430-405	Elbow, 90 Deg 1/2" Swivel	2
18	7383-071	Capscrew, 1/2" NC x 1-3/4"	8
19	7014-020	Washer, 1/2"	8
20	7014-005	Lockwasher, 1/2"	8
21	Reference	<i>See Grease Lines, Hydraulic Vibrators - This Section</i>	-
22	45259-508-17	O-Ring	2
23	45259-508-71	O-Ring	2

**Return to Table
of Contents Page**

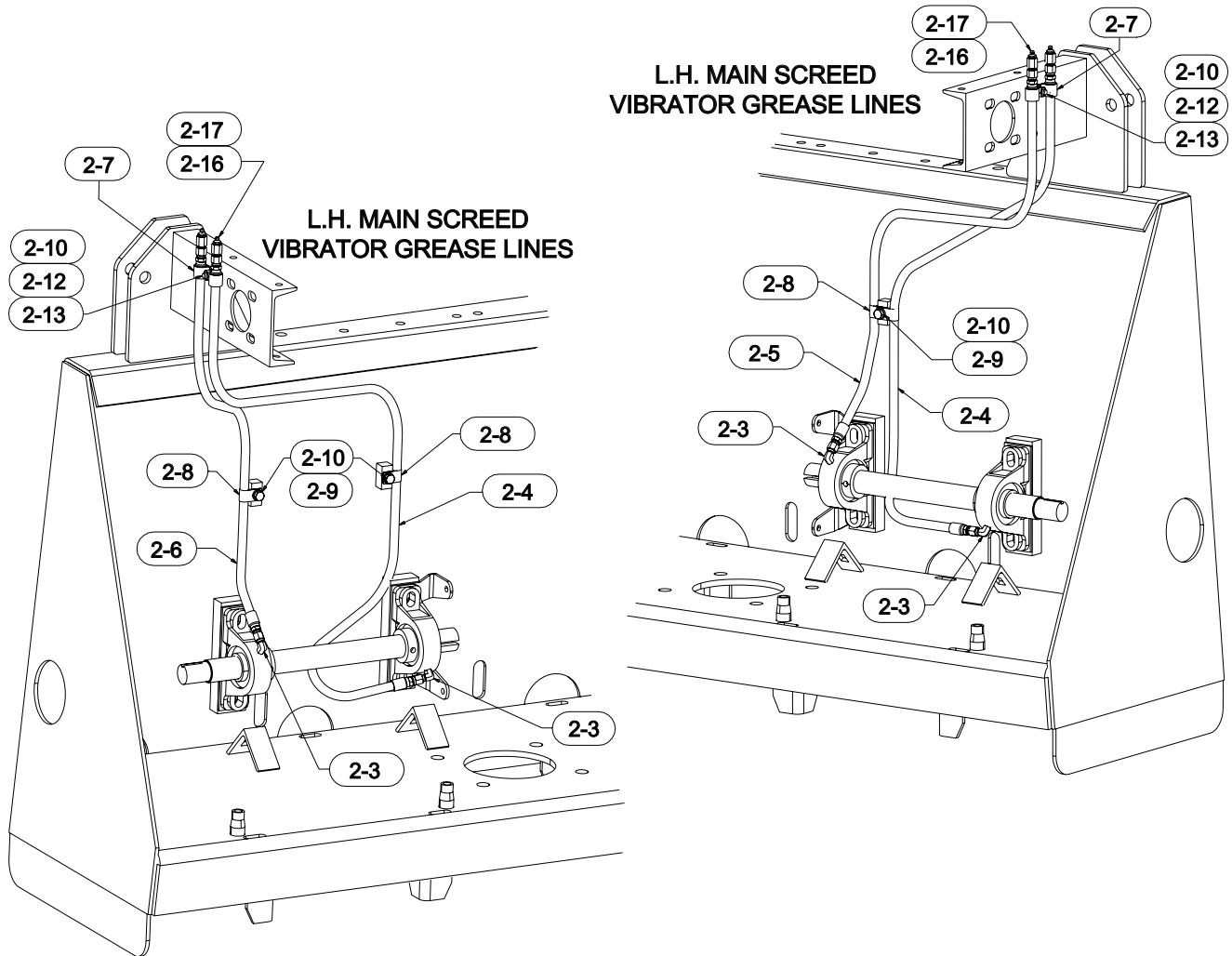
Hydraulic Vibrators - Rear Extending Screed



Ref. No.	Part Number	Description	Quantity
1	9704-576-15	Shaft, Vibrator	2
2	45125-505-10	Pillow Block Bearing	4
3	9704-557-15	Shim, Plate	2
4	9704-557-17	Plate, Tube Assembly	2
5	9704-557-11	Weight, Vibrator	8
6	7025-018	Capscrew, 3/8" x 2-1/2" Sockethead	8
7	45080-006-25	Hydraulic Motor - (Consult Factory for Available Seal Kits)	2
8	40831-000-81	Key, 1/8" x 1/2"	2
9	9704-557-14	Mount, Motor	2
10	45395-001-22	Mount, Rubber	4
11	7430-255	Fitting, 1/2" - with O-Ring	2
	45259-508-14	O-Ring (For Above Fitting)	As Req
12	7430-279	Elbow, 90° 5/8" x 1/2" - with O-Ring	2
	45259-508-71	O-Ring (For Above Fitting)	As Req
13	7051-004	Grease Fitting, 90° 1/8"	4
14	9704-566-33	Shield, Heat	2
	9704-559-53	Clip, Guard Hold	4
15	7072-194	Bolt, Carriage 1/2" NC x 1-3/4"	4
	45870-001-30	Spring, Compression	4
	45890-102-28	Locknut, 1/2" NC	4
16	7014-005	Lockwasher, 1/2"	8
17	7383-071	Capscrew, 1/2" x 1-3/4"	8
18	7014-020	Washer, 1/2"	8
19	45720-775-34	Reducer, 7/8" x 1/2"	2
20	7430-417	Elbow, 90° 7/16" x 3/8" (For Newer Units with Case Drain)	2
	45259-508-12	O-Ring (For Above Fitting)	As Req
21	Reference Only	See Grease Lines - This Section	-

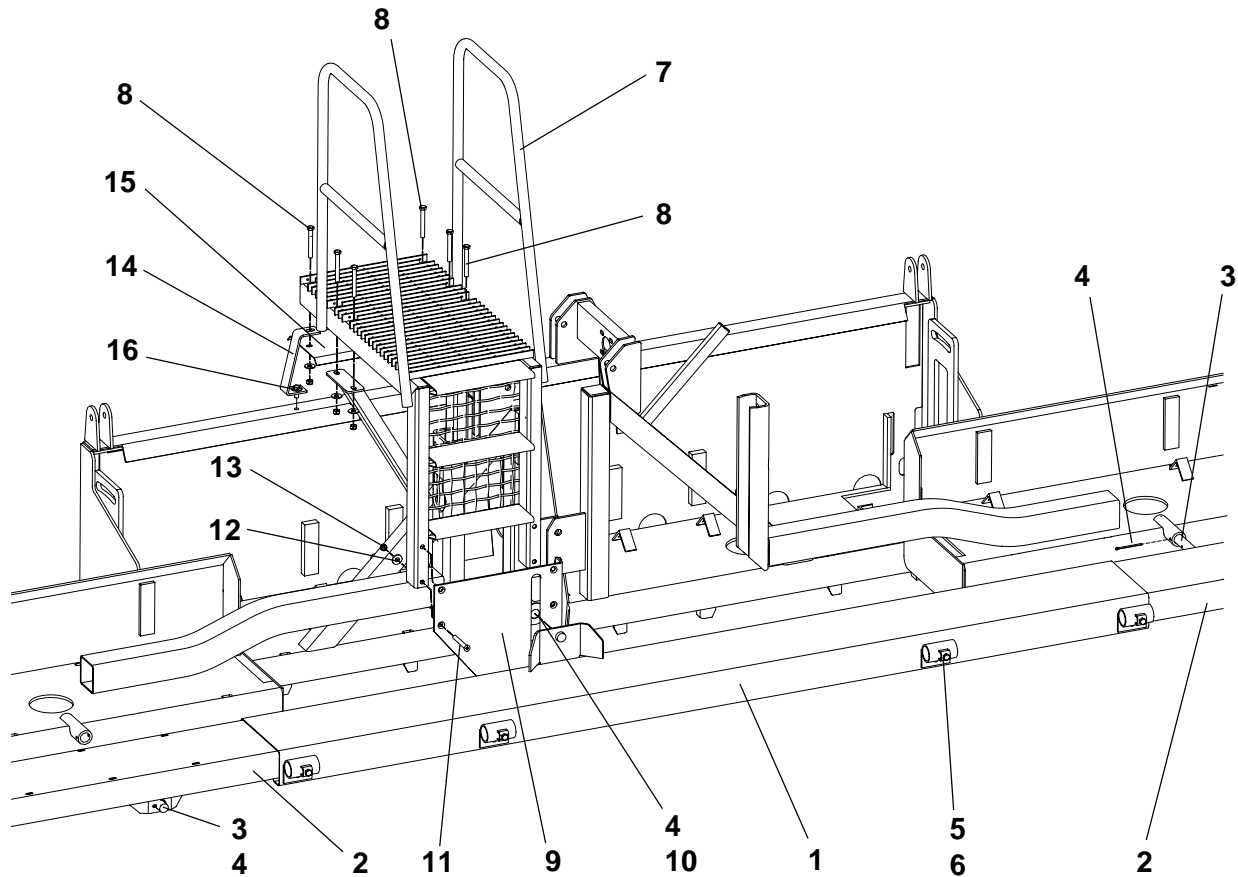
**Return to Table
of Contents Page**

Grease Lines - Hydraulic Vibrators



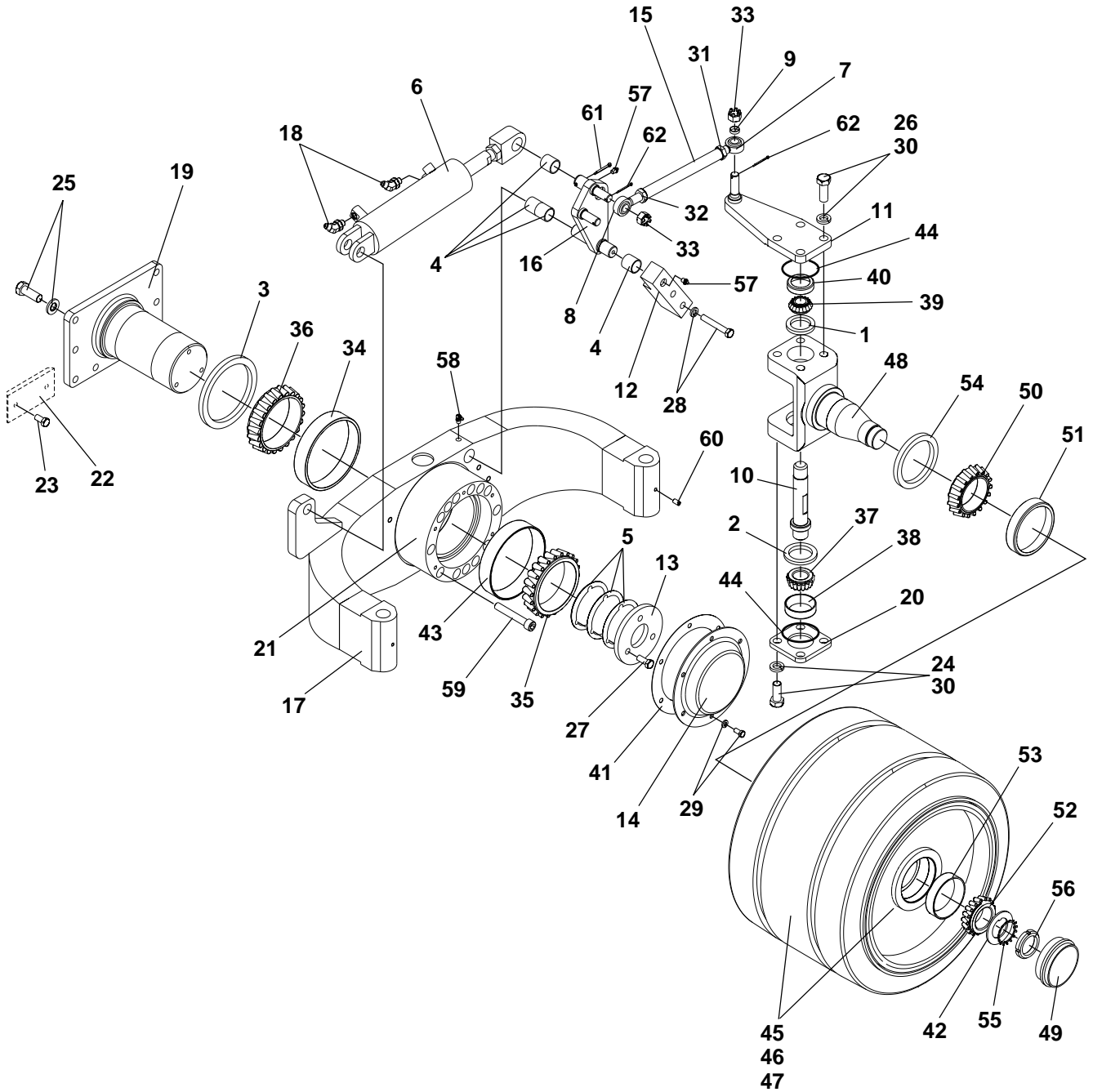
Ref. No.	Part Number	Description	Quantity
2-3	7430-016	Elbow, 1/8" NPT x 1/4" JIC 90 Deg	4
2-4	7650-054-33	Hose Assembly - 1/4" x 54"	2
2-5	7650-044-33	Hose Assembly - 1/4" x 44"	1
2-6	7650-034-33	Hose Assembly - 1/4" x 34"	1
2-7	7509-006	Clamp, 3/4"	4
2-8	7509-003	Clamp, 1/2"	4
2-9	7383-036	Capscrew, 3/8" x 3/4"	3
2-10	7014-003	Lockwasher, 3/8"	5
2-12	7012-025	Hex Nut, 3/8"	2
2-13	7383-038	Capscrew, 3/8" x 1"	2
2-16	7430-008	Fitting, 1/8" NPT x 1/4" JIC	4
2-17	7051-001	Fitting, Grease 1/8"	4

Screed Walkways & Ladders



Ref. No.	Part Number	Description	Quantity
1	9704-574-11	Walkway, Screed - Outer	1
2	9704-574-12	Walkway, Screed - Inner	2
3	9704-573-68	Shaft, Walkway Mounting	2
4	7011-108	Cotter Pin, 3/16"	7
5	7012-005	Nut, Square 1/2"	4
6	7383-069	Capscrew, 1/2" x 1-1/4"	4
7	9704-573-45	Ladder	1
8	7383-080	Capscrew, 1/2" x 4"	6
	7014-020	Washer, 1/2"	6
	45890-102-28	Locknut, 1/2"	8
9	9704-575-71	Plate, Screed	1
10	7014-027	Washer, 1-1/4"	1
11	7389-094	Capscrew, 1/2" x 4"	4
12	7014-020	Washer, 1/2"	4
13	45890-102-28	Locknut, 1/2"	4
14	9704-575-77	Tie Strap, Left Hand	1
15	9704-576-28	Cover, Left Hand Valve Assembly	1
16	7383-069	Capscrew, 1/2" x 1-1/4"	1
	7014-020	Washer, 1/2"	2
	45890-102-28	Locknut, 1/2"	1

Front Suspension & Steering



Front Suspension & Steering

Parts List No. 5032BAM

Ref. No.	Part Number	Description	Quantity
1	45200-298	Oil Seal, Upper Kingpin - Nitrile Lip Seal	2
2	45200-299	Oil Seal, Lower Kingpin - Nitrile Lip Seal	2
3	45200-224	Oil Seal, Bogie	2
4	7254-060	Bearing, Oilite	8
5	{ 7250-016	Shim, Bogie Bearing	2
	{ 7250-015	Shim, Bogie Bearing	4
	{ 7250-014	Shim, Bogie Bearing	6
6	45090-010-11	Cylinder, Steering	2
	45090-010-11-01	Seal Kit (For above Cylinder)	As Req
7	45134-011-13	Rod End, 3/4" Left Hand Threads	2
8	45134-011-16	Rod End, 3/4" Right Hand Threads	2
9	9704-053-02	Spacer	2
10	9704-063-53	Kingpin	2
11	9704-051-89	Link, Steering	2
12	9704-062-18	Stop, Steering Linkage	2
13	9704-063-71	Cap, Bogie Bearing	2
14	9704-055-10	Cover, Bogie Hub	2
15	9704-055-47	Rod, Steering (Front)	2
16	{ 9704-061-75	Link, Left Hand Steering (Not Shown)	1
	{ 9704-061-76	Link, Right Hand Steering (Shown)	1
17	{ 9704-055-39	Bogie, Left Hand (Not Shown)	1
	{ 9704-055-40	Bogie, Right Hand (Shown)	1
18	7430-313	Elbow, 45° 3/8" with O-Ring	4
	45259-508-13	O-Ring (for above fitting)	As Req
19	9704-063-73	Spindle, Bogie	2
20	9704-051-90	Cover, Lower Kingpin Bearing	2
21	9704-063-54	Hub, Bogie	2
22	9704-204-56	Guide, Slat Chain	2
23	7383-068	Capscrew, 1/2" x 1"	4
24	7383-117	Capscrew, 3/4" x 1-3/4"	8
25	{ 7399-044	Capscrew, 3/4" x 2-1/4"	18
	{ 7465-003	Washer, 3/4" Hardened Flat	18
26	7383-119	Capscrew, 3/4" x 2-1/4"	8
27	7383-099	Capscrew, 5/8" x 1-1/4"	6
28	{ 7383-079	Capscrew, 1/2" x 3-3/4"	4
	{ 7014-005	Lockwasher, 1/2"	4
29	{ 7383-036	Capscrew, 3/8" x 3/4"	12
	{ 7014-003	Lockwasher, 3/8"	12
30	7014-009	Lockwasher, 3/4"	16
31	45890-100-09	Hex Nut, 3/4" Jam - Left Hand	2
32	7017-052	Hex Nut, 3/4" Jam	2
33	7006-008	Castle Nut, 3/4"	4
34	45130-002-22	Cup, Bogie Bearing	2
35	45130-003-15	Cone, Outer Bogie Bearing	2

- Continued -



Front Suspension & Steering

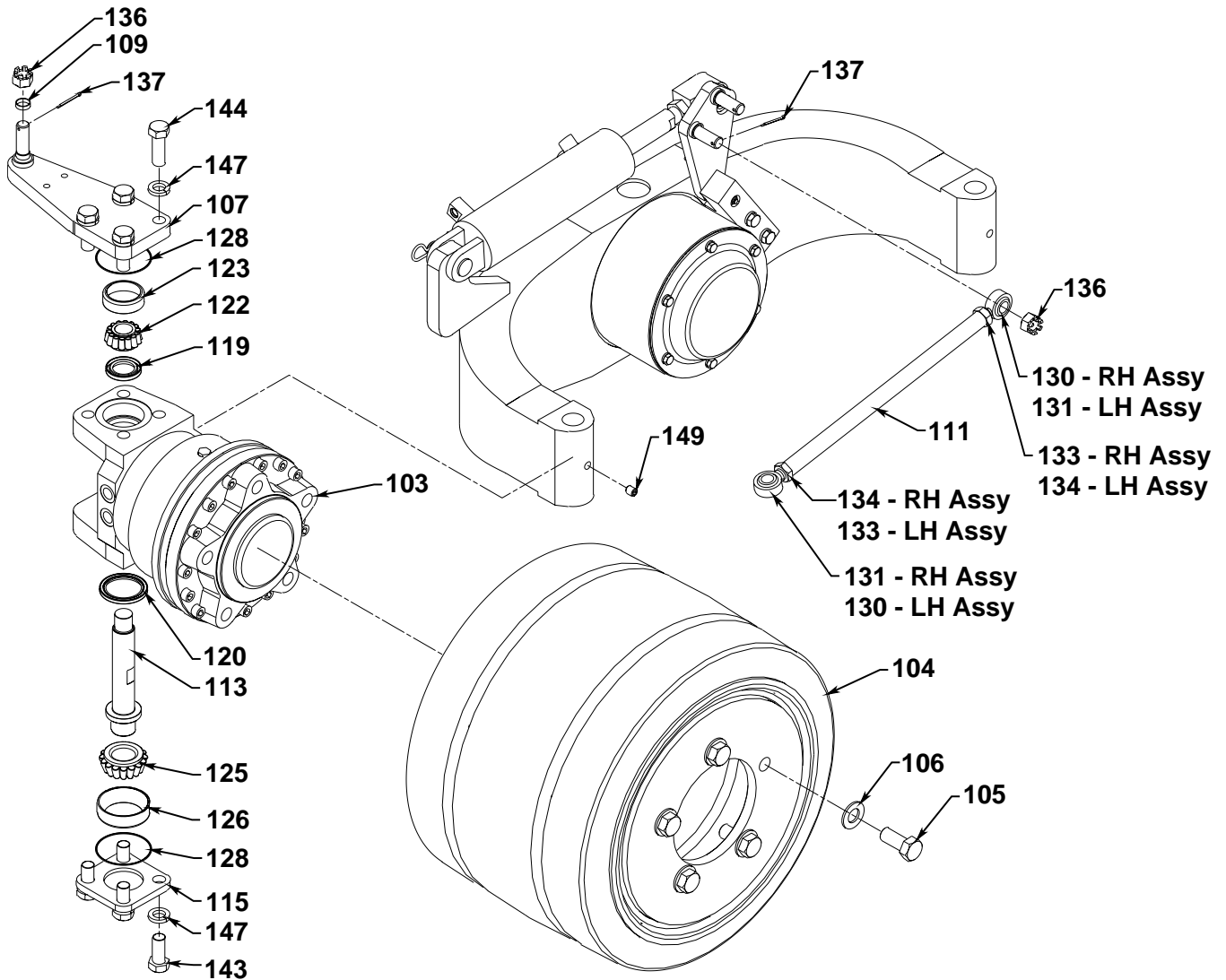
Parts List No. 5032BAM

- Continued -

Ref. No.	Part Number	Description	Quantity
36	45130-001-29	Cone, Inner Bogie Bearing	2
37	45130-008-34	Cone, Lower Kingpin Bearing	2
38	45130-002-93	Cup, Lower Kingpin Bearing	2
39	45130-008-33	Cone, Upper Kingpin Bearing	2
40	45130-002-92	Cup, Upper Kingpin Bearing	2
41	9704-063-59	Gasket, Bogie Hubcap	2
42	45130-500-16	Washer, Bearing	2
43	45130-004-15	Cup, Bogie Bearing	2
44	45259-508-97	O-Ring Seal, Kingpin Bearings	4
45	9704-063-55	Wheel Assembly - Complete	2
46	Consult Factory	Hub, Wheel (Only)	2
47	Consult Factory	Tire, Wheel (Only)	2
48	4431-610-05	Spindle, Front	2
49	45404-501-06	Cover, Wheel Hub	2
50	45130-001-85	Cone, Inner Bearing	2
51	45130-002-62	Cup, Inner Bearing	2
52	45130-008-35	Cone, Outer Bearing	2
53	45130-002-14	Cup, Outer Bearing	2
54	45201-023	Oil Seal, Dual Lip	2
55	45130-500-03	Lockwasher, Bearing	2
56	7030-011	Locknut, Bearing	2
57	7051-001	Grease Fitting, 1/8" Straight	4
58	7051-004	Grease Fitting, 1/8" 90°	2
59	7025-147	Capscrew, Sockethead 5/8" x 5"	24
60	7131-101	Setscrew, 1/2" x 5/8"	2
61	7011-043	Cotter Pin, 3/16" x 1-1/2"	2
62	7011-039	Cotter Pin, 1/8" x 1-1/2"	4

Note: Quantities shown are for both steering assemblies.

Front Wheel Assist Assembly



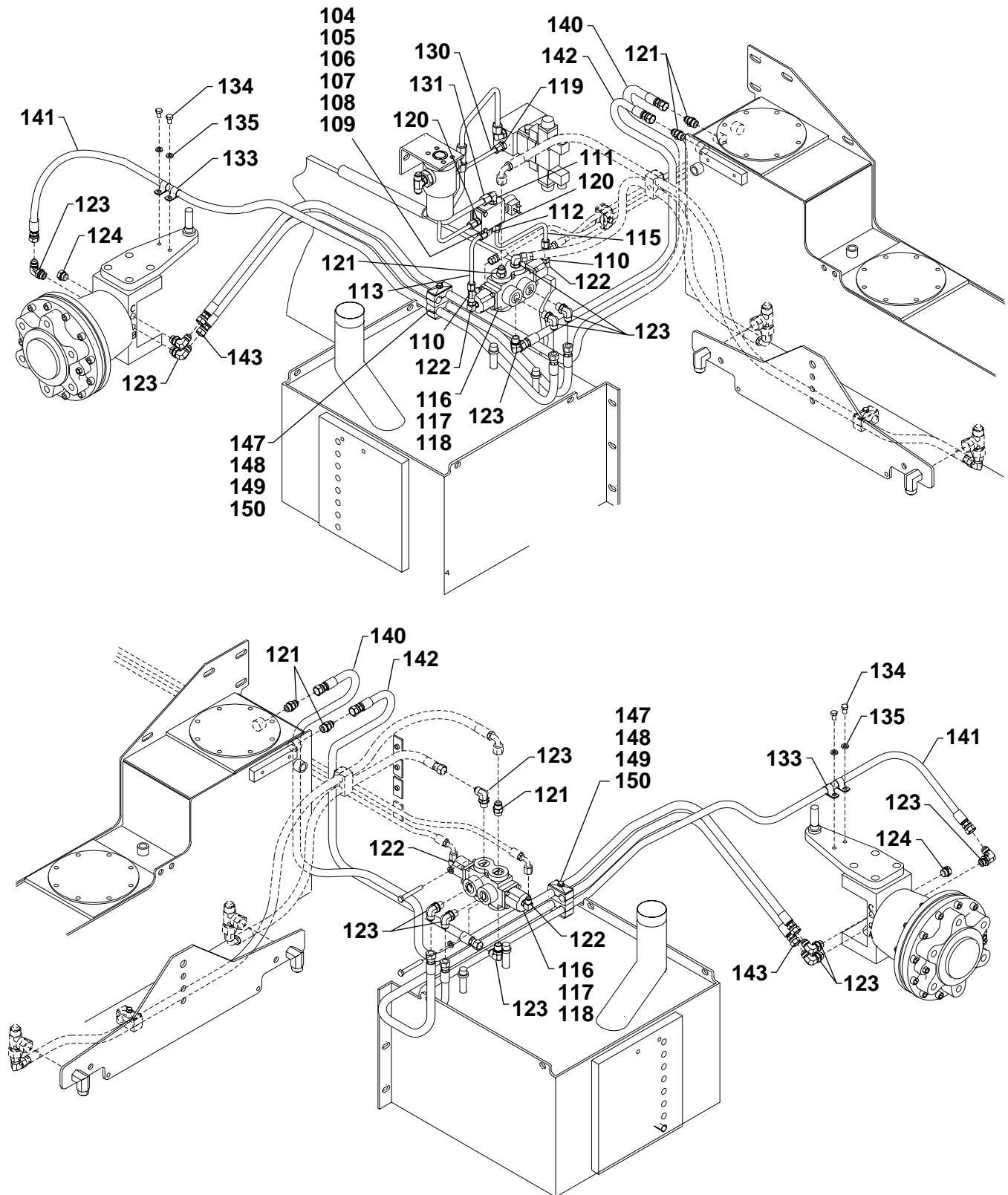
NOTE: Right Side Assembly shown.
Left Side Assembly equal & opposite.

Front Wheel Assist Assembly

Parts List No. 5032BCF

Ref. No.	Part Number	Description	Quantity
103	45080-006-32	Motor, Hydraulic	2
	Consult Factory	Seal Kit (For above motor)	As Req
104	9704-063-56	Wheel Assembly - Complete	2
	45425-100-05	Tire	As Req
	9704-063-56-01	Rim	As Req
105	45890-303-74	Capscrew, M22 x 1.5mm x 50mm - Grade 10.9	10
106	7465-004	Washer, 7/8" Hardened Flat	10
107	9704-051-89	Link, Steering	2
109	9704-053-02	Spacer	2
111	9704-055-48	Tie Rod, Rear	2
113	9704-063-53	Kingpin, Front Wheel	2
115	9704-051-90	Cover, Lower Kingpin Brg.	2
119	45200-298	Lip Seal, Nitrile - 1.313"	2
120	45200-299	Lip Seal, Nitrile - 2.125"	2
122	45130-008-33	Bearing, Cone - 1.0625" Bore	2
123	45130-002-92	Bearing, Cup - 2.4843" O.D.	2
125	45130-008-34	Bearing, Cone - 1.4375" Bore	2
126	45130-002-93	Bearing, Cup - 3.1250" O.D.	2
128	4525950897	O-Ring, 3.239" ID	4
130	45134-011-13	Rod End, 3/4" NF - Left Hand Threads	2
131	45134-011-16	Rod End, 3/4" NF - Right Hand Threads	2
133	4589010009	Hex Nut, 3/4" NF Jam - Left Hand	2
134	7017-052	Hex Nut, 3/4" NF Jam	2
136	7006-008	Castle Nut, 3/4" NF	4
137	7011-039	Cotter Pin, 1/8" X 1-1/2"	4
143	7383-117	Capscrew, 3/4" NC X 1-3/4"	8
144	7383-119	Capscrew, 3/4" NC X 2-1/4"	8
147	7014-009	Washer, 3/4" Lock	16
149	7131-101	Set Screw, 1/2" NC x 5/8"	2

**Hydraulic Circuit
Front Wheel Assist**



Hydraulic Circuit

Front Wheel Assist

Parts List No. 5032QVS

Ref. No.	Part Number	Description	Quantity
104	45252-005-24	Valve, 4WD Shift	1
	45252-005-24-01	Cartridge	1
	45252-008-15-02	Coil, Valve Cartridge	1
	45252-005-24-02	Seal Kit, Valve Cartridge	1
105	9704-656-71	Flat, Spacer	1
106	7383-011	Capscrew, 1/4" NC x 2-1/4"	2
107	7014-001	Lockwasher, 1/4"	2
108	7012-023	Hex Nut, 1/4" NC	2
109	7014-016	Washer, 1/4" Flat	2
110	7430-344	Tee, 3/8" Swivel Nut - Male Branch	2
111	7430-277	Elbow, 90° 9/16" x 1/2" - with #201 O-Ring	1
112	7430-275	Elbow, 90° 9/16" x 3/8" - with #201 O-Ring	1
113	9704-659-75	Tube Assembly, 4WD Pilot Valve	1
115	9704-659-74	Tube Assembly, 4WD Pilot Valve	1
116	45252-013-03	Valve, 5-Way	2
117	7025-184	Capscrew, 3/8" NC x 2-1/4" - Sockethead	4
118	7014-003	Lockwasher, 3/8"	4
119	7430-253	Connector, 3/4" x 3/8" - with #202 O-Ring	1
120	7430-252	Connector, 9/16" x 3/8" - with #201 O-Ring	2
121	7430-255	Connector, 3/4" x 1/2" - with #202 O-Ring	6
122	7430-417	Elbow, 90° 7/16" x 3/8" - with #203 O-Ring	4
123	7430-278	Elbow, 90° 3/4" x 1/2" - with #202 O-Ring	14
124	7430-382	Plug, 3/4" - with #202 O-Ring	2
130	9704-659-76	Tube Assembly, 4WD Pilot Valve	1
131	9704-659-77	Tube Assembly, 4WD Pilot Valve	1
133	7509-005	Clamp, 11/16"	4
134	7383-035	Capscrew, 3/8" NC x 5/8"	4
135	7014-003	Lockwasher, 3/8"	4
140	7652-091-33	Hose Assembly	2
141	7661-075-33-01	Hose Assembly	2
142	7652-038-33	Hose Assembly	2
143	7661-068-33-01	Hose Assembly	2
147	45080-529-25	Clamp Half, 3/4"	8
148	45080-529-27	Plate, Cover Clamp	2
149	7383-032	Capscrew, 5/16" NC x 3-1/2"	4
150	7014-002	Lockwasher, 5/16"	8
201	45259-508-13	O-Ring, 9/16" (Not shown)	As Req
202	45259-508-14	O-Ring, 3/4" (Not shown)	As Req
203	45259-508-12	O-Ring, 7/16" (Not Shown)	As Req

NOTE: Hardware kit 9704-661-66 consists of 106 thru 109, 117, 118, 134, 135, 149 & 150.
Hose Assy & Fitting Kit 9704-662-20 consists of the following: 110 thru 112, 119 thru 124, 133, and 140 thru 143.

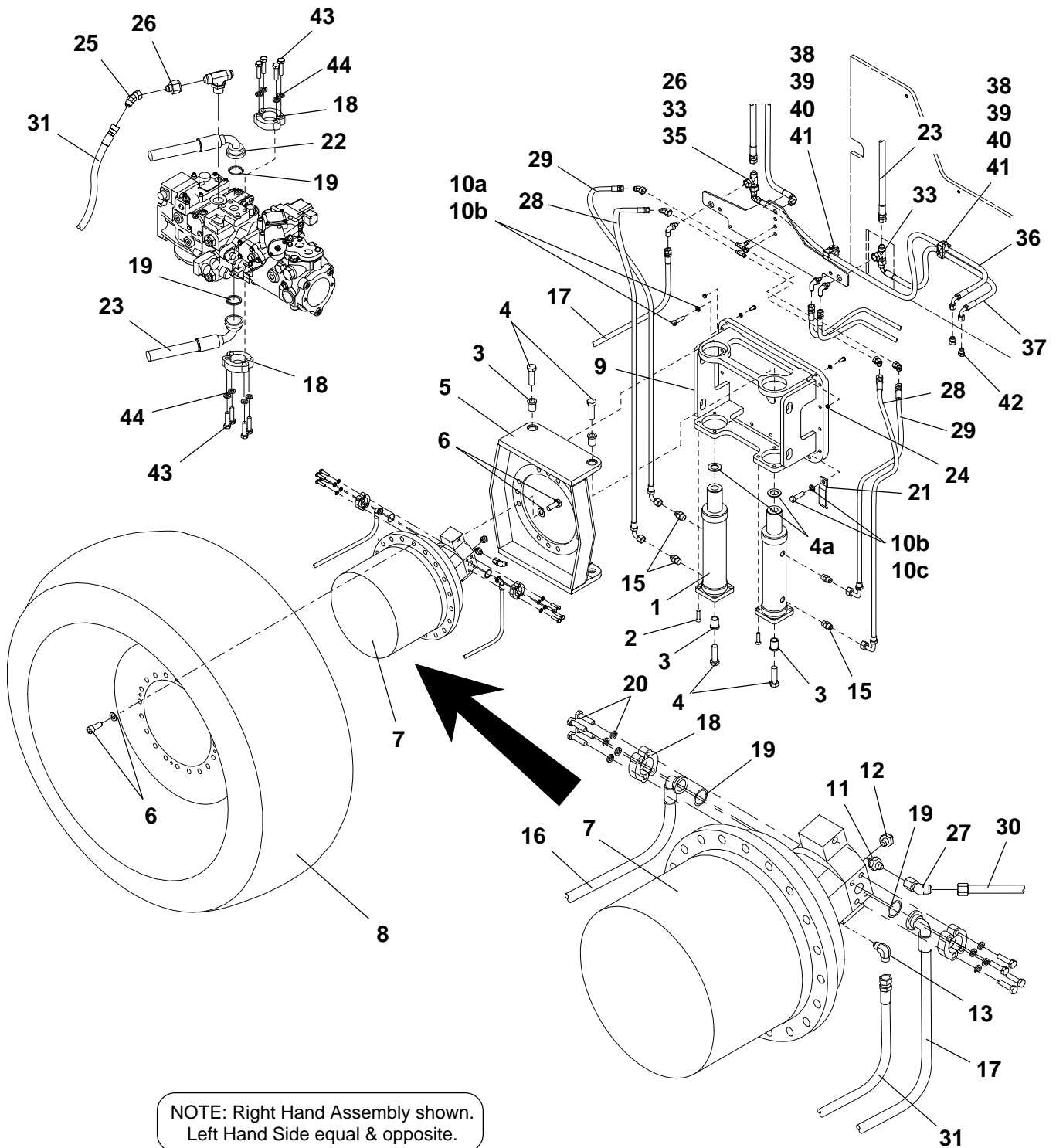
[Return to Table
of Contents Page](#)

Table of Contents**Rear Suspension Components - 05032BGK**

Ref No.	Description	Page No.
<u>1</u>	<u>Rear Suspension with Frame Raise Illustration</u>	<u>2</u>
<u>2</u>	<u>Rear Suspension with Frame Raise Parts List</u>	<u>3-4</u>
<u>3</u>	<u>Hydraulic Motor - Rear Drive</u>	<u>5</u>
<u>4</u>	<u>Frame Raise Plumbing - Rear Suspension Illustration</u>	<u>6</u>
<u>5</u>	<u>Frame Raise Plumbing - Rear Suspension Parts List</u>	<u>7</u>
<u>6</u>	<u>Hydraulic Cylinder</u>	<u>8</u>

**Return to Table
of Contents Page**

**Rear Suspension
with Frame Raise**



**Return to Table
of Contents Page**



Rear Suspension with Frame Raise

Ref. No.	Part Number	Description	Quantity	
1	45090-010-30	Cylinder, Double End - See Form 22799	4	
2	7389-047	Capscrew, 1/2" NC x 1-3/4" - Sockethead	16	
3	45030-001-19	Bushing, Drill	8	
4	7383-136	Capscrew, 7/8" NC x 3"	8	
4a	7465-007	Washer, Hardened 1-1/4"	4	
5	9704-055-60	Frame, Support Motor (Part of Frame Raise Kit)	2	
6	{ 45890-300-09 45890-300-29 7465-003	Capscrew, M20 x 2.5 x 50MM	24	
		Capscrew, M20 x 50MM - Sockethead	32	
		Washer, 3/4" - Hardened Flat	72	
7	Reference Only	See Hydraulic Motor - <i>This Section</i>	2	
8	9704-060-69	Wheel Assembly - Complete	2	
	9704-060-57	Rim	As Req	
	45425-002-27	Tire	As Req	
	45425-500-34	Valve Stem	As Req	
	45425-500-40	Plug	As Req	
9	9704-055-56	Frame, Rear Suspension Support (Part of Frame Raise Kit)	2	
10a	7399-006	Capscrew, 5/8" NC x 2"	36	
10b	7465-002	Washer, 5/8"	40	
10c	7399-003	Capscrew, 5/8" NC x 2-1/4"	4	
11	45720-775-49	Fitting, M14 x 1.5 to 3/8"	2	
12	7430-417	Elbow, 90° 7/16" x 3/8" - with O-Ring	2	
	45259-508-12	O-Ring, 7/16" (for above fitting)	As Req	
13	45720-776-12	Elbow, M18 x 1.5 x 1/2"	2	
14	7652-022-35	Hose Assembly	2	
15	7430-252	Connector, 9/16" x 3/8" - with O-Ring	8	
	45259-508-13	O-Ring, 9/16" (For above fitting)	As Req	
16	7683-045-37-01	Hose Assembly	2	
17	7683-051-37-01	Hose Assembly	2	
18	45191-004-91	Clamp, Half, 1"	16	
19	45259-508-11	O-Ring	8	
	{ 45890-300-66	Capscrew, M12 x 40 Hex Head	16	
20	{ 45890-301-11	Lockwasher, 12 MM	16	
		Flat, Hose Clamp	4	
21	9704-056-54	Flat, Hose Clamp	4	
22	7683-028-37-01	Hose Assembly	2	
23	7683-033-37-01	Hose Assembly	2	
	{ 7025-016	Capscrew, 3/8" NC x 1-3/4" - Sockethead	4	
		7014-003	Lockwasher, 3/8"	4
		7012-025	Hex Nut, 3/8" NC	4
25	7430-414	Elbow, 45° 1/2" Swivel Nut	2	
26	7430-330	Reducer, 3/4" x 1/2"	6	
27	7430-426	Elbow 45° 3/8" Swivel Nut	2	
28	7651-024-38	Hose Assembly	4	

- Continued -

**Return to Table
of Contents Page**



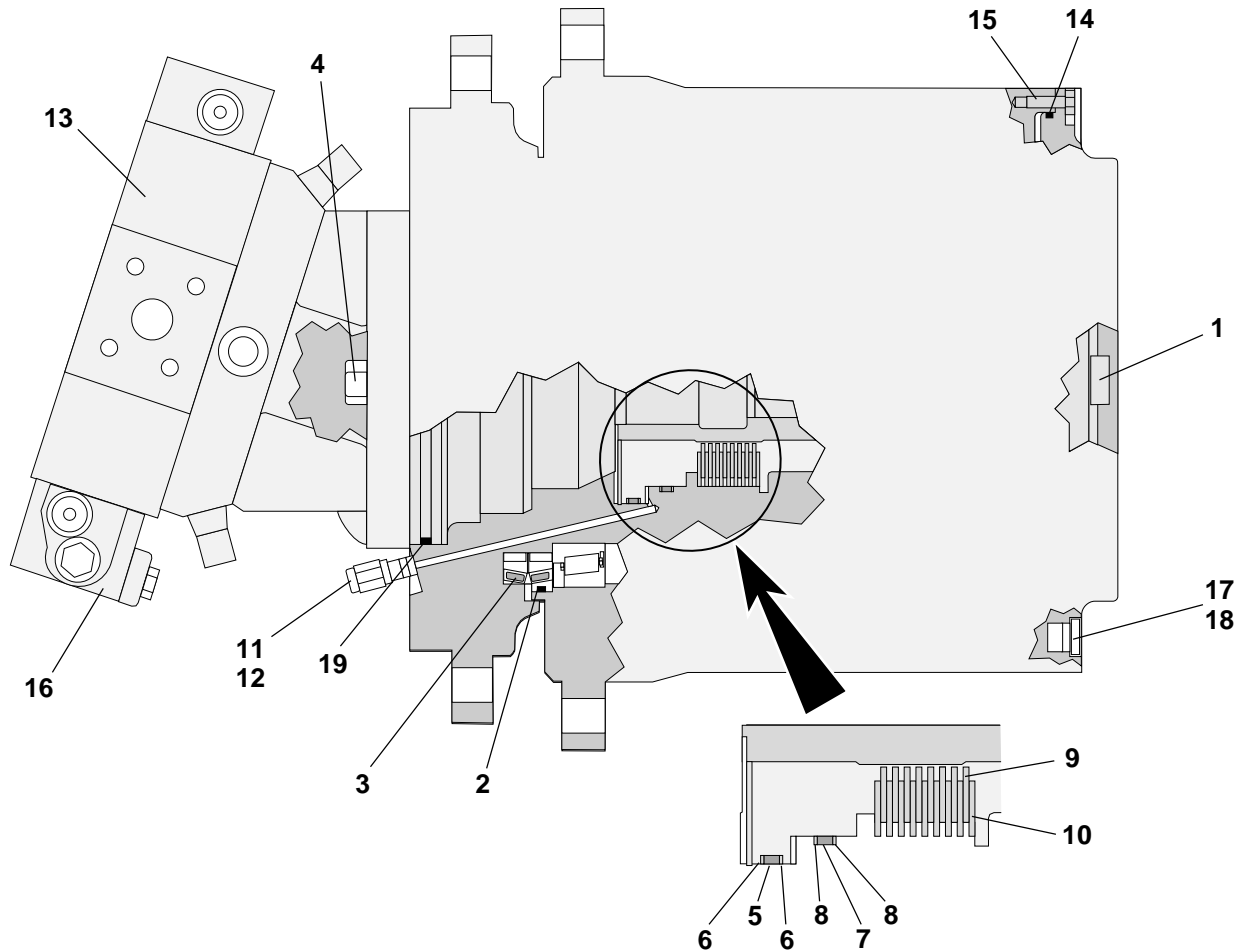
Rear Suspension with Frame Raise

Ref. No.	Part Number	Description	Quantity
29	7651-024-38	Hose Assembly	4
30	7660-022-33-01	Hose Assembly	2
31	7652-052-33	Hose Assembly	2
32	9704-013-34	Guard, Mud (Not Shown)	2
33	7430-358	Tee, 3/4" Swivel Nut - Male Run	4
34	7430-231	Cap, 3/4" (Not Shown)	4
35	7430-405	Elbow, 90° 1/2" Swivel Nut	2
36	7661-085-35-01	Hose Assembly	2
37	7661-048-35-01	Hose Assembly	2
38	45080-529-25	Clamp Half, 3/4"	8
39	45080-529-27	Plate, Cover Clamp	4
40	7383-029	Capscrew, 5/16" NC x 3/4"	4
41	7014-002	Lockwasher, 5/16"	4
42	7430-240	Plug, 1/2"	4
43	7383-055	Capscrew, 7/16" NC x 1-1/2"	16
44	7014-004	Lockwasher, 7/16"	16

Note: Items 5 and 9 are included in Frame Raise Kit, Part Number: 9709-050-19.

**Return to Table
of Contents Page**

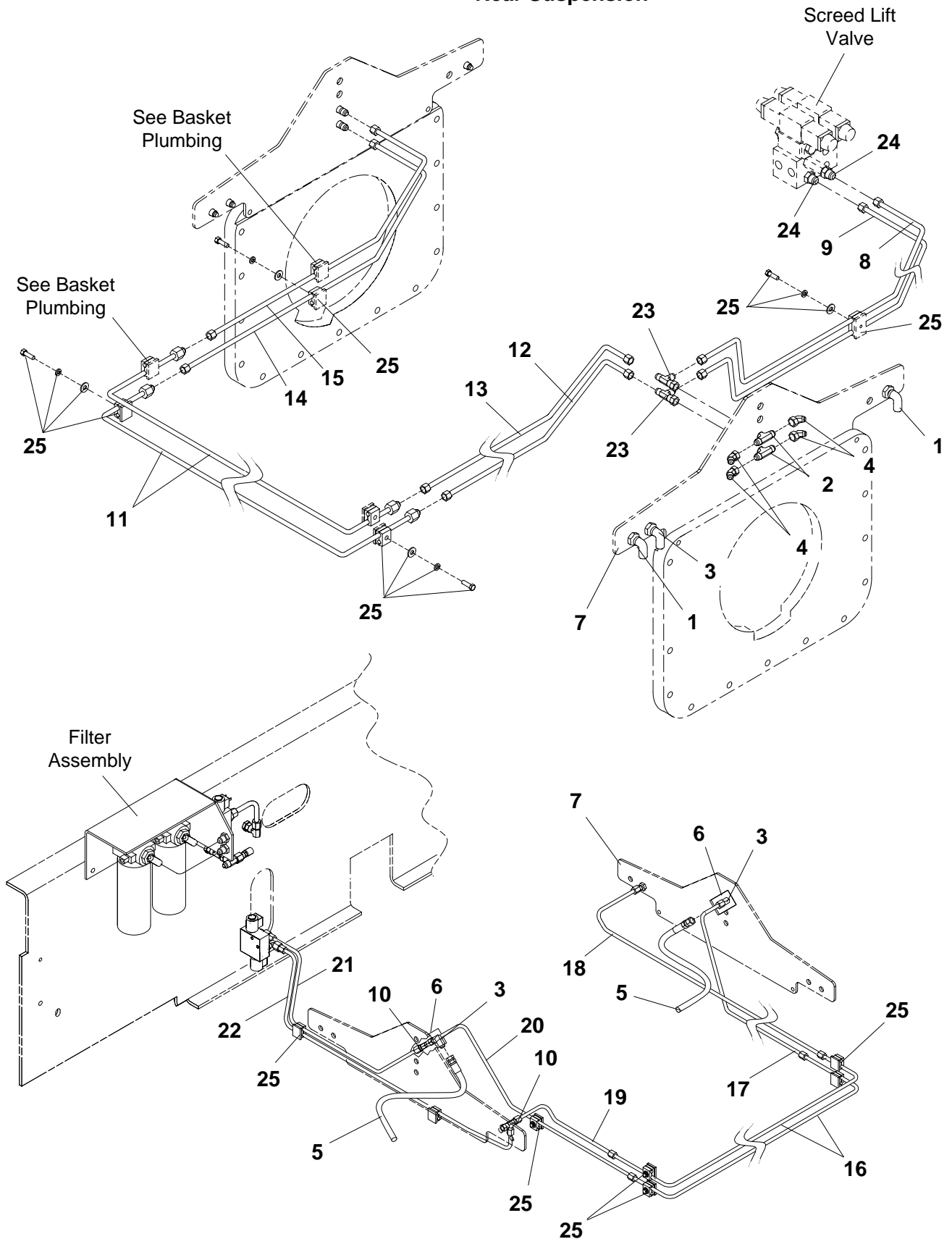
Hydraulic Motor



Ref. No.	Part Number	Description	Quantity
	45080-006-31	Hydraulic Drive Motor - Complete	-
1	45080-006-31-05	Button, Thrust	1
2	45080-006-20-04	O-Ring	1
3	45080-006-20-01	Seal, Face	1
4	45080-006-31-03	Bolt, Hex Head	2
	45080-006-20-07	Brake Seal Kit	-
5		Seal, Piston	1
6		Ring, Back Up	2
7		Seal, Piston	1
8		Ring, Back Up	1
	45080-006-31-04	Brake Disk Kit	-
9		Disk, Inner	8
10		Disk, Outer	9
11	45720-776-08	Adapter, Brake	1
12	5222-750-45	Ring, Seal	1
13	45080-006-31-02	Hydraulic Motor - Complete	1
14	45080-006-20-10	O-Ring	1
15	45080-006-31-06	Bolt, Hex Head	12
16	45080-006-20-02	Valve, Flushing	1
17	45080-004-79-06	Plug, Screw	2
18	45080-004-79-05	Ring, Seal	2
19	45080-006-20-05	O-Ring	1

**Return to Table
of Contents Page**

Frame Raise Plumbing Rear Suspension



**Return to Table
of Contents Page**



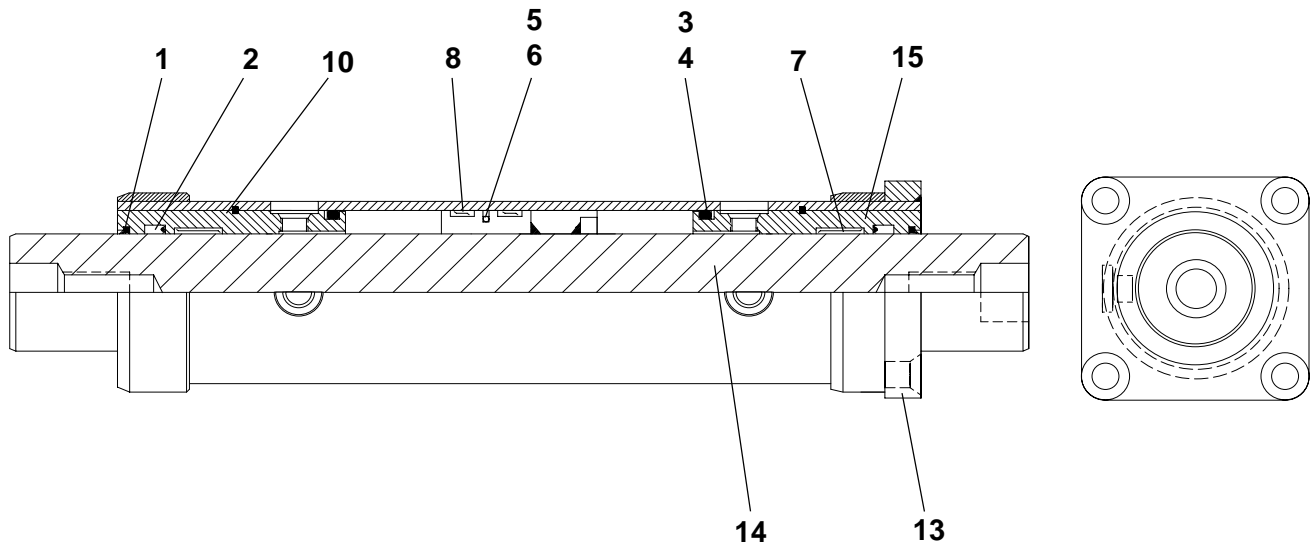
Frame Raise Plumbing Rear Suspension

Ref. No.	Part Number	Description	Quantity	
1	7430-415	Elbow, 90° 3/4" Bulkhead	4	
2	7430-389	Tee, 3/8" Bulkhead	4	
3	7430-379	Elbow, 90° 3/8" Bulkhead	4	
4	7430-426	Elbow 45° 3/8" Swivel Nut	8	
5	7651-034-35	Hose Assembly	2	
6	9704-013-52	Plate, Bulkhead Mount	2	
7	9704-064-11	Mount, Bulkhead Fitting	2	
8	9704-659-62	Tube Assembly, <i>Frame Raise</i>	1	
9	9704-659-61	Tube Assembly, <i>Frame Raise</i>	1	
10	7430-344	Tee, 3/8" Swivel Nut - Male Branch	2	
11	9704-659-50	Tube Assembly, <i>Crossover</i>	2	
12	9704-659-52	Tube Assembly	1	
13	9704-659-53	Tube Assembly, <i>Frame Raise</i>	1	
14	9704-659-58	Tube Assembly, <i>Frame Raise</i>	1	
15	9704-659-59	Tube Assembly, <i>Frame Raise</i>	1	
16	9704-659-50	Tube Assembly	2	
17	9704-659-54	Tube Assembly, <i>Brake</i>	1	
18	7650-046-35-01	Hose Assembly, <i>Range</i>	1	
19	9704-659-56	Tube Assembly, <i>Range</i>	1	
20	9704-662-15	Tube Assembly, <i>Brake</i>	1	
21	9704-659-63	Tube Assembly, <i>Range</i>	1	
22	9704-659-64	Tube Assembly, <i>Brake</i>	1	
23	7430-344	Tee, 3/8" Swivel Nut - Male Branch	2	
24	7430-253	Connector, 3/4" x 3/8" - with O-Ring	2	
	45259-518-14	O-Ring, 3/4" (For above fitting)	As Req	
25	{	45080-529-22	Clamp Half, 3/8"	20
		7383-022	Capscrew, 5/16" NC x 1"	10
		7014-017	Washer, 5/16"	10
		7014-002	Lockwasher, 5/16"	10

**Return to Table
of Contents Page**

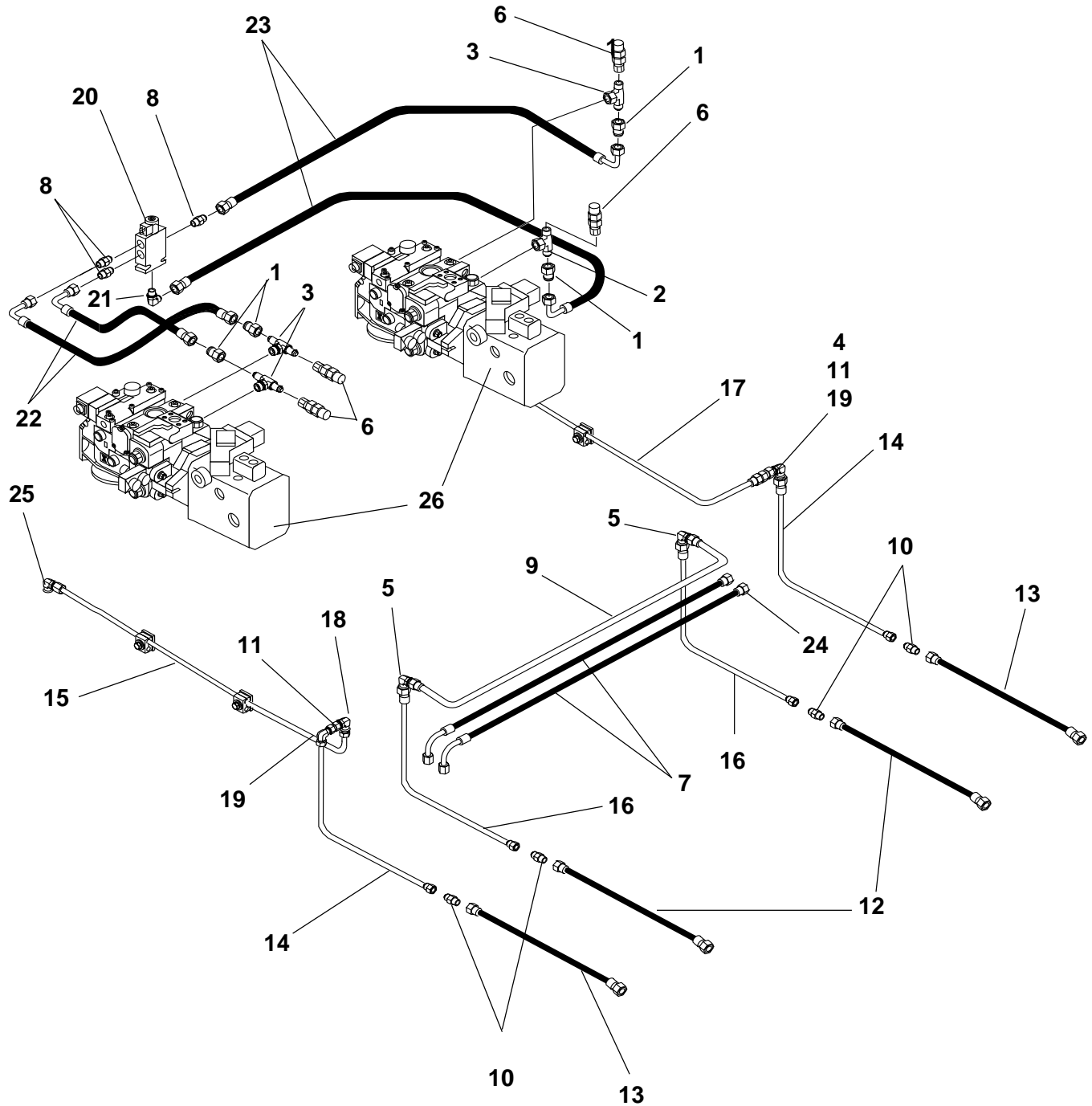


Hydraulic Cylinder
Part No. 45090-010-30



Ref No.	Part Number	Description	Quantity
1	45090-010-15-11	Wiper	2
2	45090-010-15-10	Seal	2
3	45090-010-30-02	O-Ring	2
4	45090-010-30-03	Back Up Washer	2
5	45090-010-30-04	Seal	1
6	45090-010-30-05	O-Ring	1
7	45090-010-15-05	Wear Ring	4
8	45090-010-15-04	Wear Ring	2
9	45090-010-30-01	Seal Kit (Includes Multiple Items)	1
10	45090-010-30-06	Retaining Ring	2
11	Consult Factory	Port Plug (Not Shown)	2
12	Consult Factory	Port Plug (Not Shown)	2
13	45090-010-30-07	Tube Assembly	1
14	45090-010-30-08	Rod Assembly	1
15	45090-010-30-09	Head	2

Steering Hydraulic Circuit

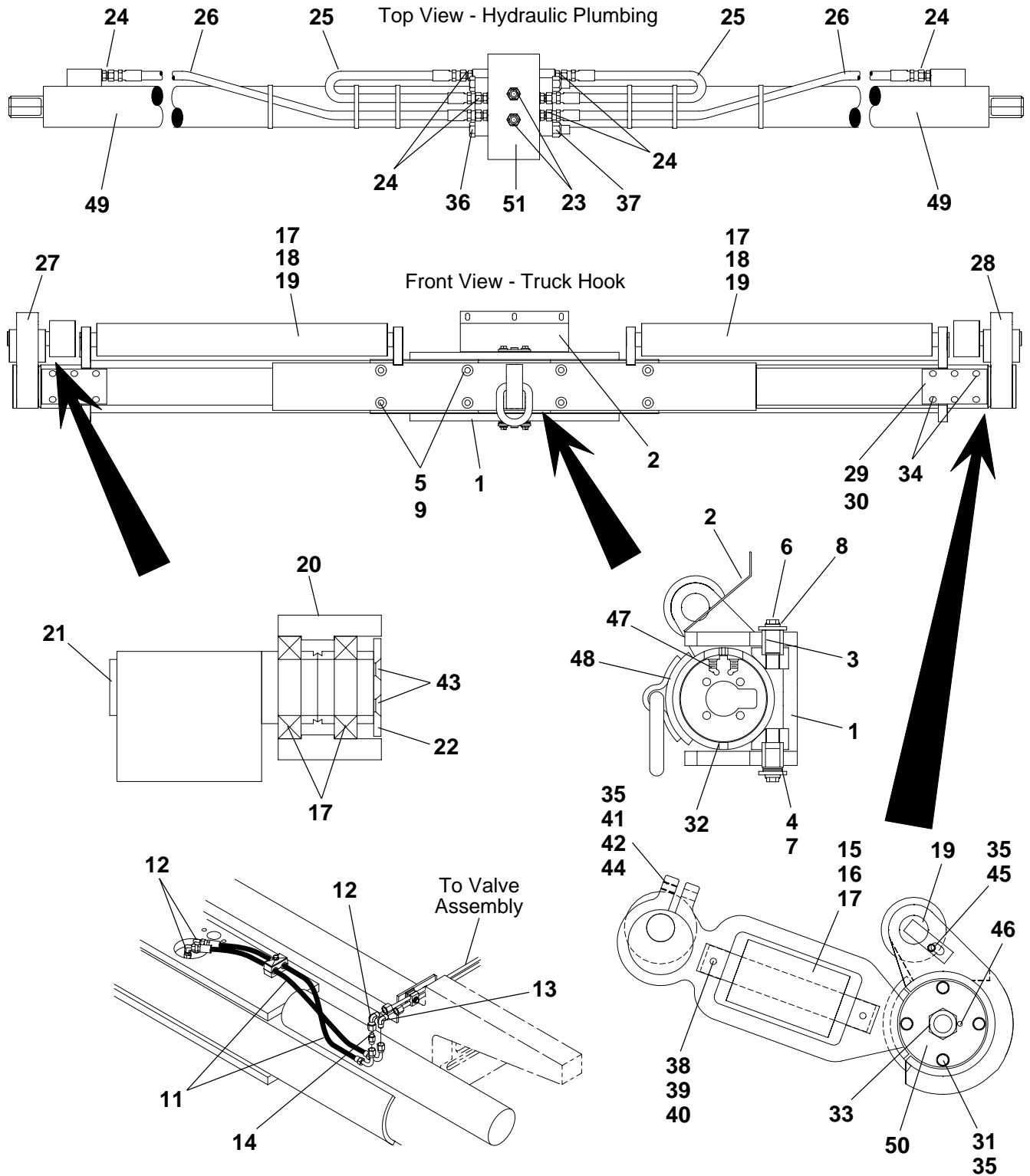


Steering Hydraulic Circuit

Parts List No. 5032QUV

Ref. No.	Part Number	Description	Quantity
1	45259-012-03	Fitting, 5/64"	4
2	7430-302	Tee, 3/8"	2
3	7430-302	Tee, 3/8"	2
4	7430-004	Connector, 3/8" x 1/4"	1
5	7430-410	Elbow, 3/4" 90°	2
6	45080-527-18	Test Fitting, 3/8"	4
7	7650-076-35-01	Hose Assembly, Cross Over	2
8	7430-252	Fitting, 3/8" (with #60 O-Ring)	3
9	9704-656-43	Tube Assembly, Steering Crossover	1
10	7430-377	Union, 3/8" Male	4
11	45720-001-07	Coupling, 1/4" x 1-1/2"	2
12	7651-026-33-02	Hose Assembly, 3/8" ID x 26"	4
13	7651-035-33-01	Hose Assembly, 3/8" ID x 35"	4
14	9704-660-26	Tube Assembly, LH Steering	2
15	9704-660-25	Tube Assembly, 552 RH Steering	1
16	9704-660-24	Tube Assembly, CR551 Steering	2
17	9704-660-44	Tube Assembly, CR551 LH Steering	1
18	7430-019	Elbow, 1/4" Pipe x #6 JIC	1
19	7430-041	Elbow, 90° 1/2" x 1/4"	2
20	45252-005-32	Valve, Differential Lock	1
21	7430-275	Elbow, 90° 3/8" (with #60 O-Ring)	1
22	7660-050-35-01	Hose Assembly, Left Pump Balance Line	2
23	7660-018-35-01	Hose Assembly, Right Pump Balance Line	2
24	7430-239	Plug, 3/8"	4
25	7430-426	Elbow, #6 x 45 Swivel	1
26	Reference	<i>See Pump Drives - Section 6</i>	

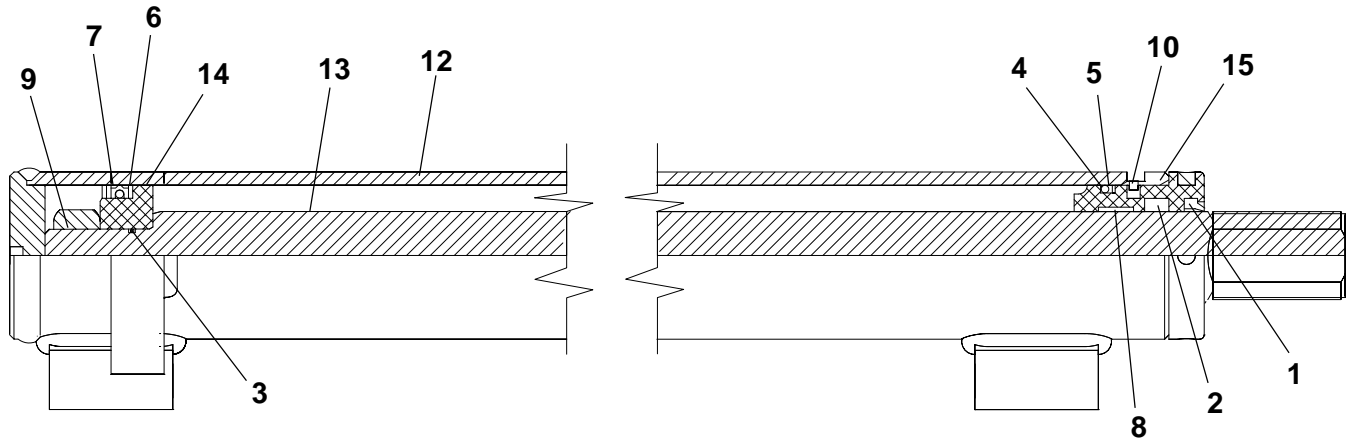
Truck Hook



Truck Hook

Ref. No.	Part Number	Description	Quantity
1	9704-850-76	Mount, Pivot - Truck Hook	1
2	4431-812	Guard, Truck Hook	1
3	45030-001-20	Bushing, Headless	2
4	9704-851-12	Pin, Truck Hook Pivot	2
5	7465-002	Washer, 5/8" Hardened	8
6	7383-069	Capscrew, 1/2" NC x 1-1/4"	4
7	7014-020	Washer, 1/2" Flat	6
8	7465-001	Washer, 1/2" Hardened	4
9	7383-104	Capscrew, 5/8" NC x 2-1/2"	8
10	9704-851-54	Spacer Block, Truck Hook (<i>Not shown on illustration</i>)	4
11	7651-032-38	Hose Assembly	2
12	7430-383	Elbow, 90° 3/8" Swivel Nut	3
13	7430-420	Elbow, 90° 3/8" Union	1
14	7430-377	Union, 3/8"	1
	9704-851-94	Truck Hook Assembly - Complete	
15	9704-850-85	Tube, Side Roller	2
16	9704-851-02	Shaft Side Roller	2
17	7302-013	Bearing, Ball (with collar)	12
18	9704-850-86	Tube, Push Roller	2
19	9704-850-87	Shaft, Push Roller	2
20	9704-850-88	Roller, Rim	2
21	9704-850-89	Shaft, Rim Roller	2
22	9704-850-98	Plate, Retainer	2
23	45720-776-03	Adapter	2
24	7430-248	Connector, 7/16" x 1/4" - with O-Ring	8
	45259-508-12	O-Ring, 7/16" (For above fitting)	As Req
25	7650-020-33	Hose Assembly	2
26	7650-031-33	Hose Assembly	2
27	9704-850-81	Arm, Weldment - Right Hand	1
28	9704-850-82	Arm, Weldment - Left Hand	1
29	9704-850-90	Plate, Arm Adjust	2
30	9704-850-91	Flat, Clamp	4
31	7383-069	Capscrew, 1/2" NC x 1-1/4"	8
32	7389-045	Capscrew, 1/2" NC x 1-1/4" - Sockethead	4
33	7017-056	Hex Nut, 1-1/4" NF Jam	4
34	7389-047	Capscrew, 1/2" NC x 1-3/4" - Sockethead	12
35	7014-005	Lockwasher, 1/2"	18
36	7383-260	Capscrew, 1/2" NC x 5-1/2"	4
37	45890-102-28	Locknut, 1/2" NC	4
38	7383-046	Capscrew, 3/8" NC x 3"	4
39	7014-003	Lockwasher, 3/8"	4
40	7012-025	Hex Nut, 3/8" NC	4
41	7383-077	Capscrew, 1/2" NC x 3-1/4"	4
42	7012-027	Hex Nut, 1/2" NC	4
43	7389-024	Capscrew, 3/8" NC x 1" - Sockethead	8
44	7383-071	Capscrew, 1/2" NC x 1-3/4"	2
45	7383-070	Capscrew, 1/2" NC x 1-1/2"	2
46	7238-114	Roll Pin, 1/4"	2
47	7051-001	Fitting, Grease 1/8"	2
48	9704-850-70	Frame, Outer Tube	1
49	45090-007-92	Cylinder, Hydraulic - <i>See Form #21721, This Section</i>	2
50	9704-850-83	Plate, Rod End	2
51	9704-850-84	Mount, Cylinder End	1

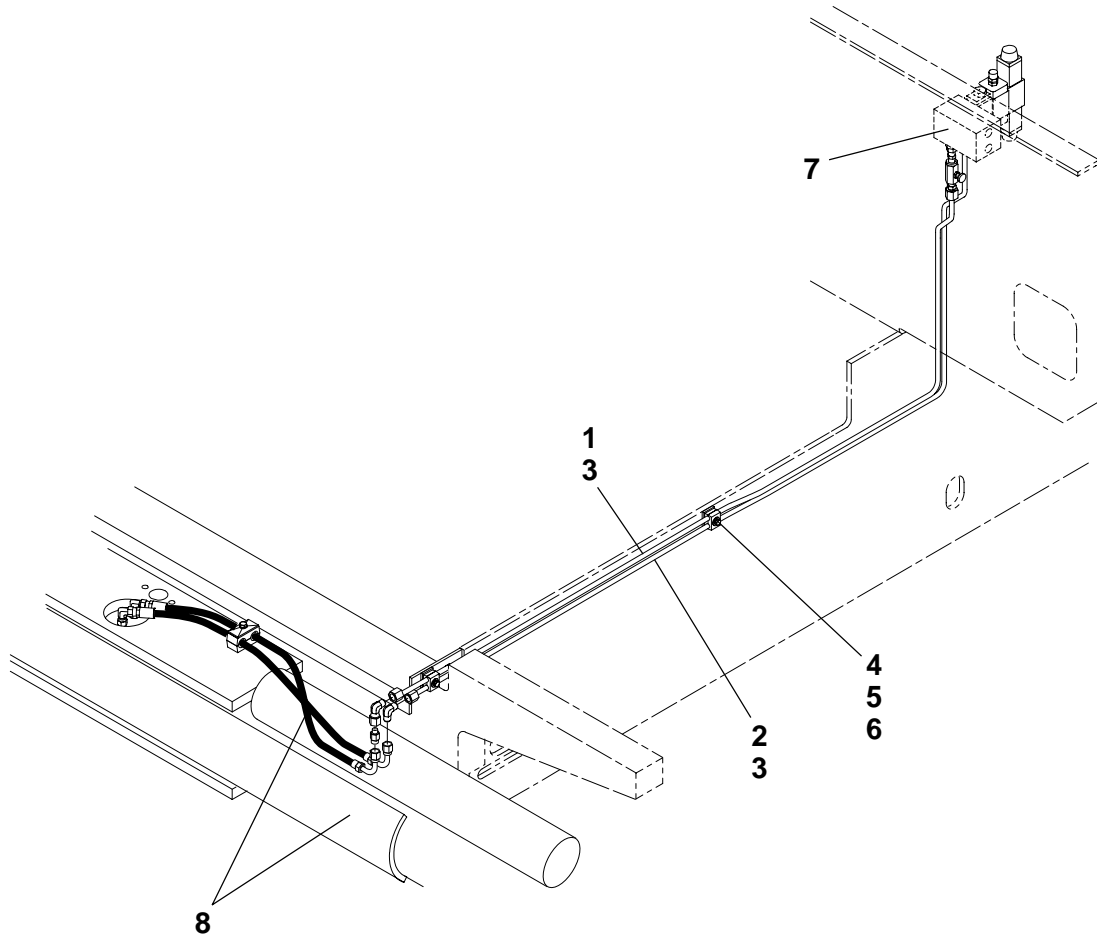
Hydraulic Cylinder



Ref. No.	Part Number	Description	Quantity
	45090-007-92	Cylinder - Complete	
1	45090-007-90-01	Wiper	1
2	45090-007-90-02	Seal	1
3	45090-007-92-01	Ring	1
4	45090-007-92-02	O-Ring	1
5	45090-007-92-03	Back-Up	1
6	45090-007-92-04	Back-Up	2
7	45090-007-92-05	Seal	1
8	45090-007-90-11	Wear Ring	1
9	45090-007-92-06	Lockut	1
10	45090-007-92-07	Retaining Ring	1
11	45090-007-92-13	Port Plug (Not Shown)	2
12	45090-007-92-11	Tube Assembly	1
13	45090-007-92-10	Rod	1
14	45090-007-92-08	Piston	1
15	45090-007-92-09	Head	1
16	45090-007-92-12	Seal Kit (Not Shown)	1

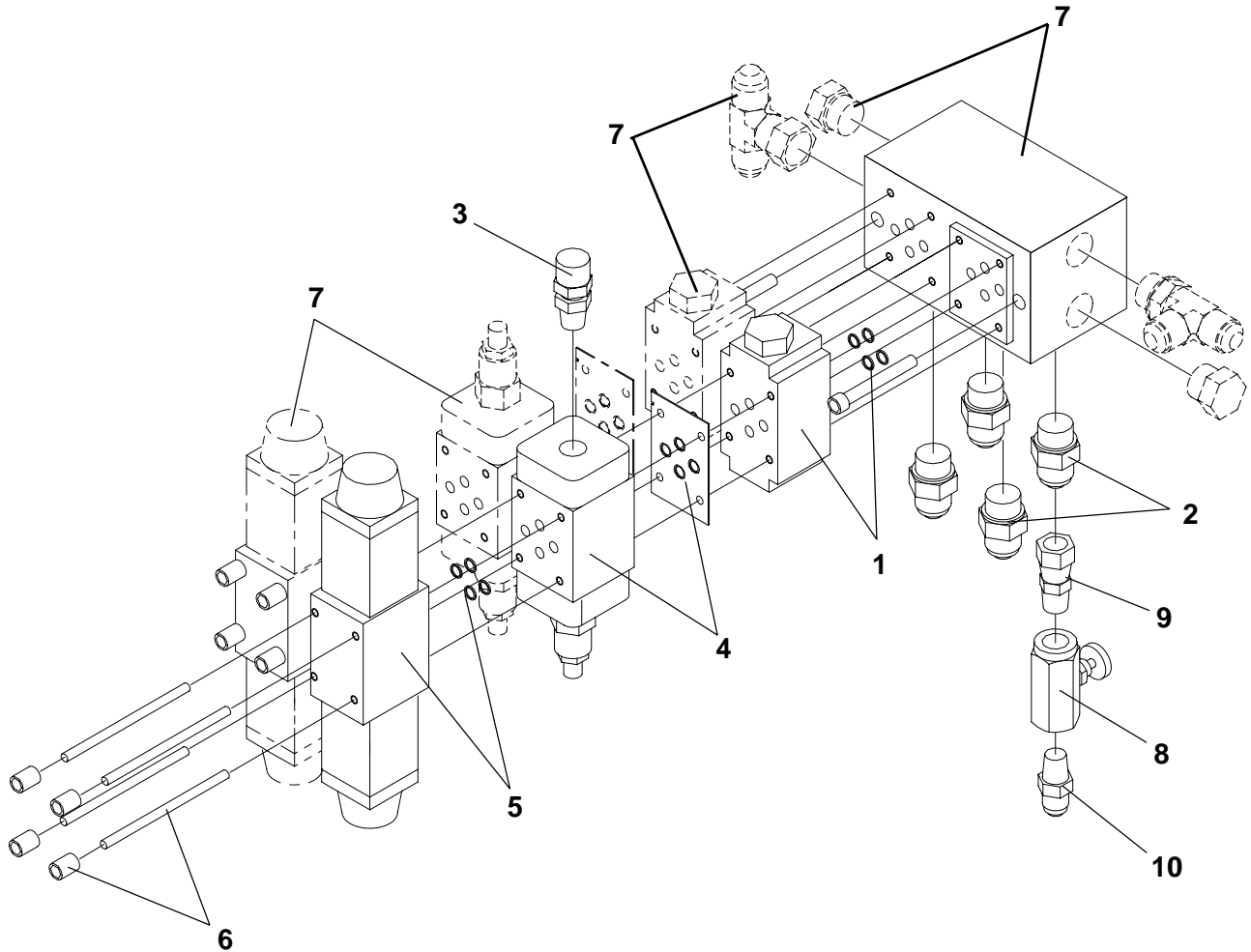
NOTE: Quantities listed for these items are for (1) Cylinder only.

Truck Hook Plumbing
Parts List No 5032YQE



Ref. No.	Part Number	Description	Quantity
1	9704-951-86	Tube Assembly - Upper	1
2	9704-951-87	Tube Assembly - Lower	1
3	7430-239	Plug, 3/8"	2
4	45080-529-22	Clamp Half, 3/8"	4
5	7383-006	Capscrew, 1/4" x 1"	2
6	7014-016	Washer, 1/4"	2
7	9704-658-58	See Truck Hook Valve Assembly - This Section	-
8	Reference Only	See Truck Hook - This Section	-

**Valve Assembly
Truck Hook**



Ref. No.	Part Number	Description	Quantity
	9704-658-58	Valve Assembly - Complete	-
1	45252-014-16	Valve, Dual Pilot Check	1
	Consult Factory	O-Ring (For above valve)	As Req
2	7430-253	Connector, 3/4" x 3/8" - with O-Ring	2
	45259-508-14	O-Ring, 3/4" (For above fitting)	As Req
3	45080-527-06	Test Fitting, 1/4"	1
4	45252-009-24	Valve, Reducing	1
	45259-508-08	O-Ring, 3/4" (For above valve)	As Req
	45259-006-84-01	Plate	1
5	45252-005-53	Valve, 4 Way / 3 Position	1
	Consult Factory	O-Ring (For above valve)	As Req
6	{ 45890-501-08	Stud, #10-24 x 5"	4
	{ 45890-100-23	Stud Nut, #10-24	4
7	Reference Only	See Valve Assembly - Left Hand Front Bulkhead, Section 7	-
8	45252-004-25	Valve, Needle	1
9	7430-423	Adapter, 1/4" x 3/8"	1
10	7430-004	Connector, 1/4" x 3/8"	1