











**Standard Paving Equipment Operation & Maintenance Instructions.**

**The following publications compose the Operation & Maintenance Manuals for this Equipment.**

**MANUALS - TRACTORS**

<u>PART NO.</u>	<u>FORM</u>	<u>DESCRIPTION</u>
499992523101	21286	CR300 O&M
499992523102	21284	CR400 Slat O&M
499992523103	21521	CR400 Remix O&M
499992523104	20850	CR500 Slat O&M
499992523105	21522	CR500 Remix O&M
499992523106	23028	300 Series - Tier II
499992523107	23029	400 Series - Tier II
499992523108	23030	500 Series - Tier II

**MANUALS - SCREEDS**

<u>PART NO.</u>	<u>FORM</u>	<u>DESCRIPTION</u>
499992523201	19373	Fastach 8 Screed O&M
499992523202	18537	Fastach 10 Screed O&M
499992523203	22415	Fastach II O&M
499992523204	22416	ST16-18 O&M
499992523205	18565	Stretch 20 Screed O&M

**MANUALS - CONTROLS**

<u>PART NO.</u>	<u>FORM</u>	<u>DESCRIPTION</u>
49999176	20576	Gen III Sonics O&M
499992526001	18121	Sundstrand Auto Grade & Slope O&M
499992526003	22806	AGL EZ-PAV O&M
49999188	21048	Topcon System 4 O&M
499992526002	22506	Topcon SAS O&M
499992526004	23021	Topcon System 5 & Smoothtrac O&M

**MANUALS - MAT SMOOTHNESS MACHINES**

<u>PART NO.</u>	<u>FORM</u>	<u>DESCRIPTION</u>
49999177	20575	Pickup Machines O&M (Models 1, 2, & 3)
499992523301	22630	MS-4 O&M

**PAVER SAFETY MANUAL**

**Note:** A safety manual is supplied with each machine shipment within Manuals Package 04418-795-01.

All Manuals supplied following original machine shipment must include a safety manual.

499992526005	AP-120-02	AEM Paver Safety Manual
--------------	-----------	-------------------------

**SCHEMATICS - TRACTOR HYDRAULIC**

<u>PART NO.</u>	<u>DESCRIPTION</u>
4418-944	351 (12/97)
4418-945	361 (12/97)
4418-956	361R (10/98)
4418-946	451 & 551 (10/98)
4418-995	451 & 551 (10/00)
4418-996	461 & 561 (10/00)
4418-997	461R & 561R (10/00)
4495-001	451RX & 551RX (12/00)
4495-002	461RX & 561RX (12/00)
4495-003	461RXR & 561RXR (12/00)
4495-012	300 Series Slat Pavers - Tier II
4495-008	400/500 Series Slat Pavers - Tier II
4495-009	400/500 Series Remix Pavers - Tier II

**SCHEMATICS - TRACTOR ELECTRICAL**

<u>PART NO.</u>	<u>DESCRIPTION</u>
4418-865	351 (12/96)
4418-937	351 (12/97)
4418-864	361 (12/96)
4418-938	361 (12/97)
4418-973	351 (10/99)
4418-974	361 & 361R (10/99)
4418-959	451 & 551 (10/99)
4418-960	461, 561, 461R & 561R (10/99)
4418-963	451RX & 551RX (11/99)
4418-964	461RX, 561RX, 461RXR, 561RXR (11/99)
4494-105-19	352 Slat Pavers - Tier II
4494-105-20	362 Slat Pavers - Tier II
4494-105-21	452/552 Slat Pavers - Tier II
4494-105-22	462/562 Slat Pavers - Tier II
4494-105-23	452/552 Remix Pavers - Tier II
4494-105-24	462/562 Remix Pavers - Tier II
4454-105-29	452/552 Remix Pavers - Tier II (05/04)
4454-105-30	452/552 Remix Pavers - Tier II (05/04)

**SCHEMATICS - SCREEDS**

<u>PART NO.</u>	<u>DESCRIPTION</u>
4495-004	Hydraulic Schematic - All Stretch Screeds
4495-005	Hydraulic Schematic - All Fixed Screeds
4495-007	Electric Schematic & Generator Drive Hydraulic Schematic - Stretch Elec Screeds <b>(Note:</b> Requires Hyd Schematic 4495-004 also)
4495-011	Electric & Hydraulic Schematic (20kW/1PH Generator) - Fastach II Screed
4495-013	Electric & Hydraulic Schematic (34kW/3PH Generator) - Fastach II Screed



CR 352 / CR 362 COMPONENT SERIAL NUMBER RECORD



TRACTOR MODULE 0818930 SCREED MODULE 0825930  
 SERIAL 060143 MODEL 362 DATE 9-1-4

	INSP.	LEFT HAND	INSP.	RIGHT HAND
ENGINE MODEL	<u>794</u>	<u>B5.9-165C</u>		
ENGINE PART NUMBER	<u>794</u>	<u>45930-001-56</u>		
ENGINE SERIAL NO.	<u>794</u>	<u>46405487</u>		
TANDEM TRAVEL AND CONV. PUMPS	<u>794</u>	<u>K-04-35-19211</u>	<u>794</u>	<u>K-04-21-30130</u>
AUXILIARY PUMP	<u>794</u>	<u>04-02-49109</u>		
CONV. DRIVE MOTOR	<del>794</del>	<u>5092</u>	<u>794</u>	<u>2427</u>
TRACTION DRIVE	<u>794</u>	<u>1099358</u>	<u>794</u>	<u>1099360</u>
REAR TIRE LOT CODE	<u>X</u>	<u>X X</u>	<u>X</u>	<u>X X</u>
TRACK SERIAL NO.	<u>794</u>	<u>23-03-25-2</u>	<u>794</u>	<u>23-03-24-1</u>
<del>FWA WHEEL MOTOR</del> <u>Heat Pump</u> <u>• Kell</u>	<u>794</u>	<u>40061761</u>	<u>X</u>	<u>X X</u>
GRADE CONTROL	<u>X</u>	<u>X X</u>	<u>X</u>	<u>X X</u>
SLOPE SENSOR	<u>X</u>	<u>X X</u>	<u>X</u>	<u>X X</u>
SLOPE CONTROL	<u>X</u>	<u>X X</u>	<u>X</u>	<u>X X</u>
REMOTE SLOPE SET	<u>X</u>	<u>X X</u>	<u>X</u>	<u>X X</u>
TOPCON SENSOR	<u>X</u>	<u>X X</u>	<u>X</u>	<u>X X</u>
TOPCON CONTROL BOX	<u>X</u>	<u>X X</u>	<u>X</u>	<u>X X</u>

INSPECTOR Kell DATE 10-18-04



[Return to Table  
of Contents Page](#)

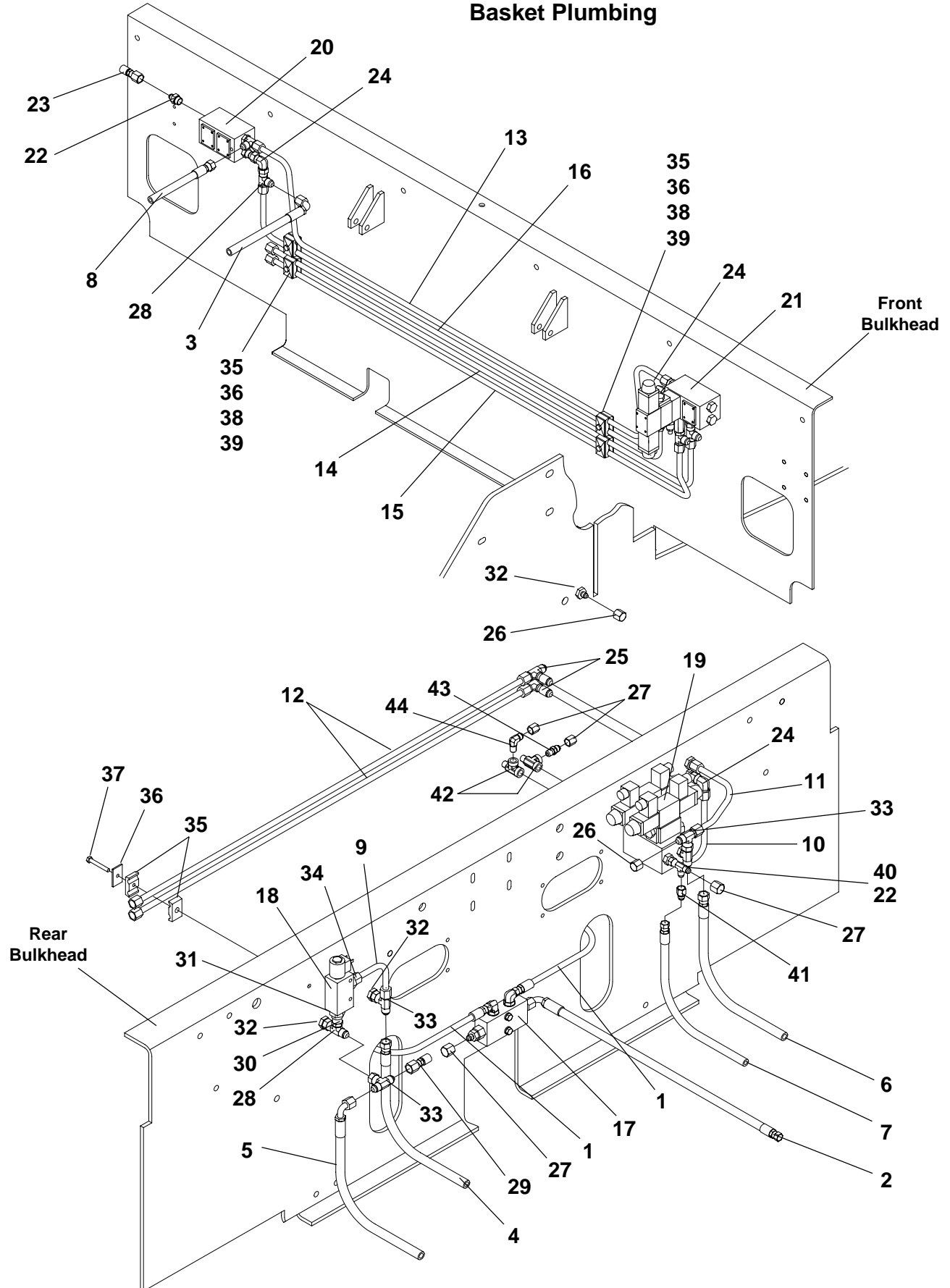
---

**Table of Contents****Basket Plumbing & Hydraulic Components - 05210QFV**

<b>Ref No.</b>	<b>Description</b>	<b>Page No.</b>
<u><a href="#">1</a></u>	<u><a href="#">Basket Plumbing Illustration</a></u>	<u><a href="#">2</a></u>
<u><a href="#">2</a></u>	<u><a href="#">Basket Plumbing Parts List</a></u>	<u><a href="#">3</a></u>
<u><a href="#">3</a></u>	<u><a href="#">Return Manifold Assembly</a></u>	<u><a href="#">4</a></u>
<u><a href="#">4</a></u>	<u><a href="#">Valve Assembly - Screed Lift</a></u>	<u><a href="#">5</a></u>
<u><a href="#">5</a></u>	<u><a href="#">Valve Assembly - L.H. Front Bulkhead</a></u>	<u><a href="#">6</a></u>
<u><a href="#">6</a></u>	<u><a href="#">Valve Assembly - R.H. Front Bulkhead</a></u>	<u><a href="#">7</a></u>

**Return to Table  
of Contents Page**

### Basket Plumbing



**Return to Table  
of Contents Page**

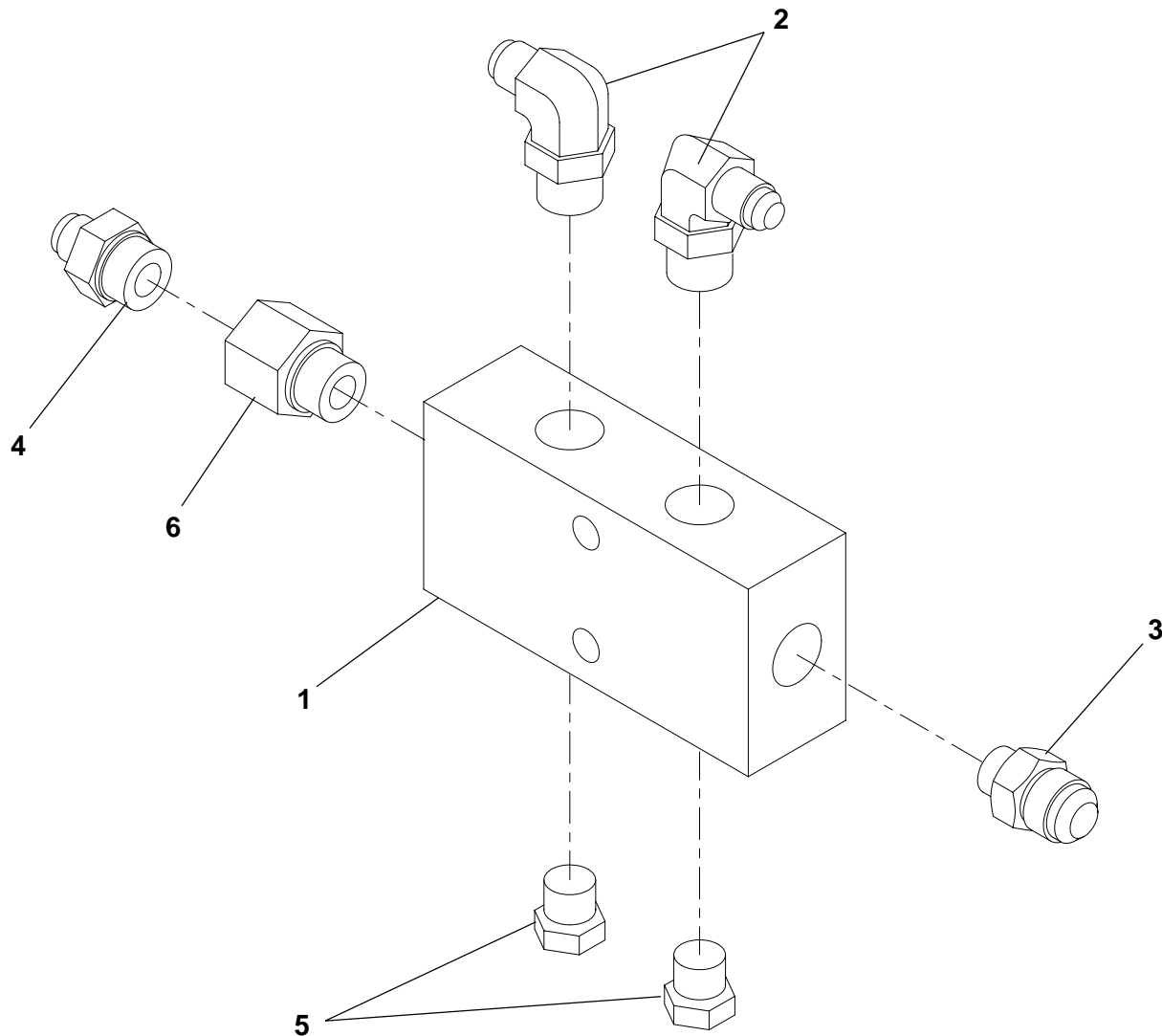


## Basket Plumbing

Ref. No.	Part Number	Description	Quantity
1	7651-018-33	Hose Assembly	2
2	7652-091-33	Hose Assembly, <i>Return Manifold to Tank</i>	1
3	7652-037-35	Hose Assembly, <i>Bulkhead to Reservoir</i>	1
4	7652-140-33	Hose Assembly, <i>to Supercharge Filter</i>	1
5	7652-070-35	Hose Assembly, <i>Vibrator Valve to Vibrator Pump</i>	1
6	7652-085-33	Hose Assembly, <i>Screed Valve to Reservoir</i>	1
7	7651-066-33-01	Hose Assembly, <i>Screed Valve to Pump</i>	1
8	7651-052-35-01	Hose Assembly, <i>Bulkhead to Pump</i>	1
9	9704-656-73	Tube Assembly, <i>Vibrator Return</i>	1
10	9704-661-76	Tube Assembly, <i>Screed Lift</i>	1
11	9704-658-41	Tube Assembly, <i>Screed Lower</i>	1
12	9704-658-39	Tube Assembly, <i>Screed Cylinder</i>	2
13	9704-658-35	Tube Assembly, <i>Valve Pressure Crossover</i>	1
14	9704-658-37	Tube Assembly, <i>Upper Hopper Wing</i>	1
15	9704-658-38	Tube Assembly, <i>Lower Hopper Wing</i>	1
16	9704-658-36	Tube Assembly, <i>Valve Return Crossover</i>	1
17	Reference	<i>See Return Manifold Assembly, This Section</i>	1
18	45252-004-59	Valve, Vibrator Solenoid	1
19	Reference	<i>See Screed Lift Valve Assembly, This Section</i>	1
20	Reference	<i>See Valve Assembly - Left Front Bulkhead, This Section</i>	1
21	Reference	<i>See Valve Assembly - Right Front Bulkhead, This Section</i>	1
22	7430-253	Connector, 3/4" x 3/8" - with O-Ring	2
	45259-508-14	O-Ring, 3/4" (For above fitting)	As Req
23	45080-527-18	Test Fitting, 3/8"	1
24	7430-405	Elbow, 90° 1/2" Swivel	3
25	7430-393	Tee, 1/2" Bulkhead	2
26	7430-229	Cap, 1/2"	2
27	7430-228	Cap, 3/8"	4
28	7430-345	Tee, 1/2" Swivel Nut - Male Branch	2
29	45080-527-16	Test Fitting, 1/2"	1
30	7430-401	Connector, 1/2" x 1/2"	1
31	45720-775-12	Reducer, 3/4" x 1/2"	1
32	7430-367	Union, 1/2" Bulkhead	3
33	7430-356	Tee, 1/2" Swivel Nut - Male Run	3
34	7430-257	Connector, 1-1/16" x 1/2" - with O-Ring	1
	45259-508-15	O-Ring, 1-1/16" (For above fitting)	As Req
35	45080-529-23	Clamp Half, 1/2"	10
36	40580-529-26	Plate, Clamp Cover	5
37	7383-027	Capscrew, 5/16" NC x 2-1/4"	1
	7014-002	Lockwasher, 5/16"	1
	7012-024	Hex Nut, 5/16" NC	1
38	7383-024	Capscrew, 5/16" NC x 1-1/2"	4
39	7014-002	Lockwasher, 5/16"	4
40	7430-344	Tee, 3/8" Swivel Nut - Male Branch	1
41	45259-012-03	Fitting, 5/64" Orifice	1
42	45720-775-38	Tee, 1/4" Pipe	2
43	7430-004	Connector, 1/4" x 3/8"	1
44	7430-019	Elbow, 90° 1/4" x 3/8"	1

**Return to Table  
of Contents Page**

**Return Manifold Assembly**

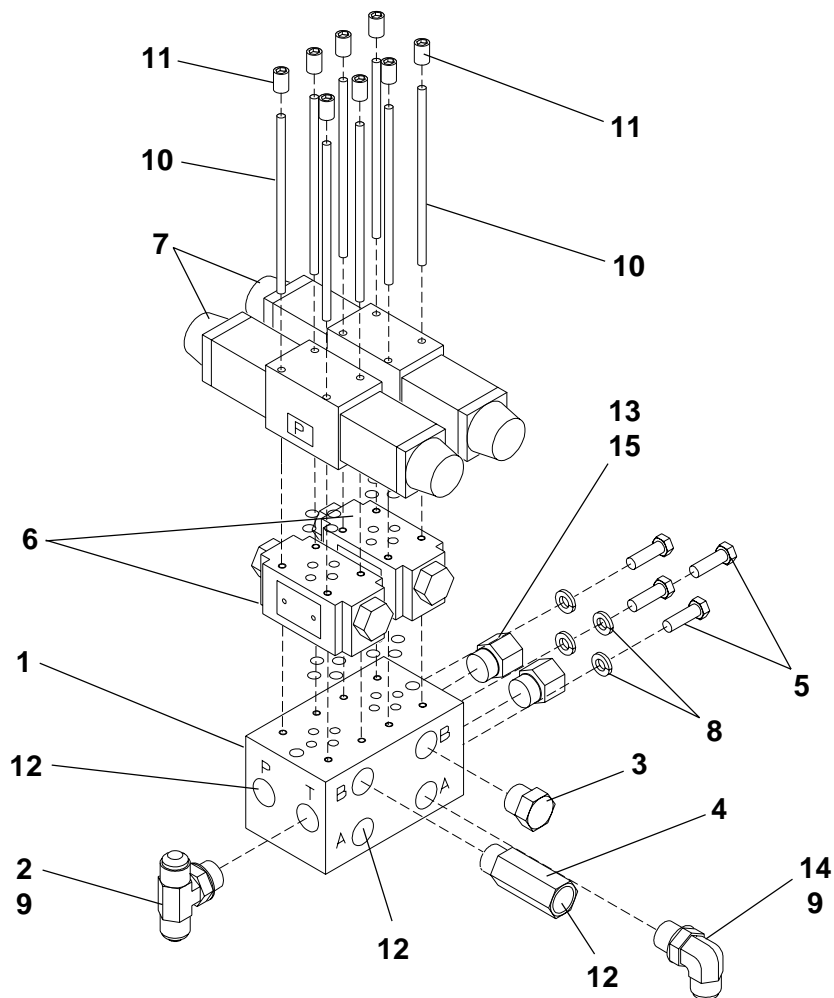


Ref. No.	Part Number	Description	Quantity
	9704-658-77	Manifold Assembly - Complete	1
1	9704-655-84	Block	1
2	7430-276	Elbow, 90° 3/4" x 3/8" - with O-Ring	2
	45259-508-14	O-Ring, 3/4" (For above fitting)	As Req
3	7430-256	Connector, 7/8" x 1/2" - with O-Ring	1
	45259-508-71	O-Ring, 7/8" (For above fitting)	As Req
4	7430-253	Connector, 3/4" x 3/8" - with O-Ring	1
	45259-508-14	O-Ring, 3/4" (For above fitting)	As Req
5	7430-382	Plug, 3/4" - with O-Ring	2
	45259-508-14	O-Ring, 3/4" (For above fitting)	As Req
6	45720-775-34	Reducer, 5/8" x 1/2"	1



**Return to Table  
of Contents Page**

**Valve Assembly - Screed Lift**

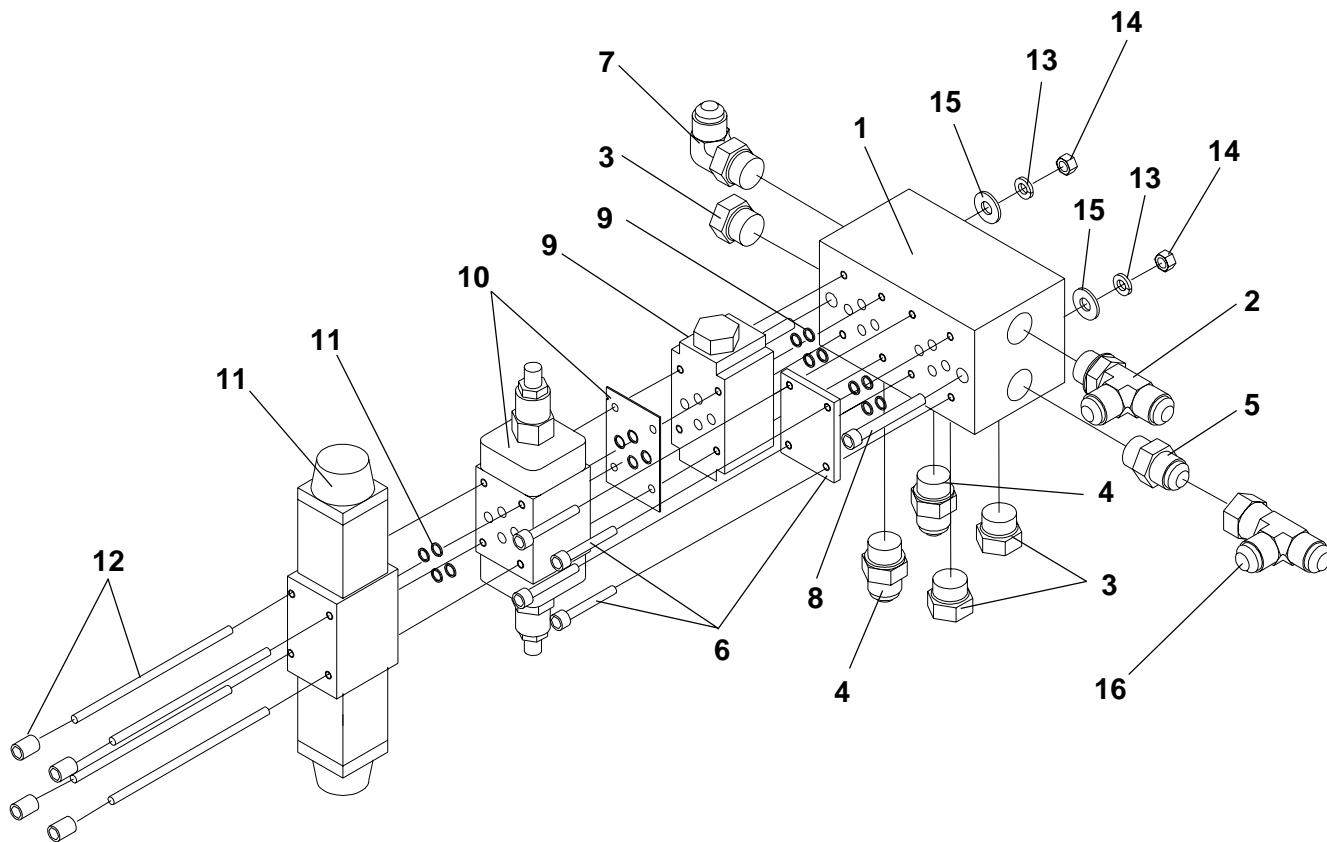


Ref. No.	Part Number	Description	Quantity
	9704-662-82	Valve Assembly - Complete	-
1	45252-501-03	Block, Valve	1
2	7430-303	Tee, 3/4" x 1/2" Branch - with #16 O-Ring	1
3	7430-382	Plug, 3/4" - with #16 O-Ring	1
4	45090-001-46	Valve, Throttle	1
5	7383-022	Capscrew, 5/16" NC x 1"	4
6	45252-014-16	Valve, Holding - with O-Rings	2
7	45252-005-53	Valve, Solenoid - with O-Rings	2
8	7014-002	Lockwasher, 5/16"	4
9	45191-509-10	Caplugs, 3/4" (Not Shown)	3
10	45890-501-23	Stud, #10-24 x 2-7/8"	8
11	45890-100-23	Studnut	8
12	45191-509-09	Caplugs	3
13	45720-775-29	Fitting, 3/4" x 1/4" - with #16 O-Ring	2
14	7430-278	Elbow, 90° 3/4" x 1/2" - with #16 O-Ring	1
15	45191-509-05	Caplugs	2
16	45259-508-14	O-Ring, 3/4" (For hydraulic fittings)	As Req

**Return to Table  
of Contents Page**



**Valve Assembly  
Left Hand Front Bulkhead**

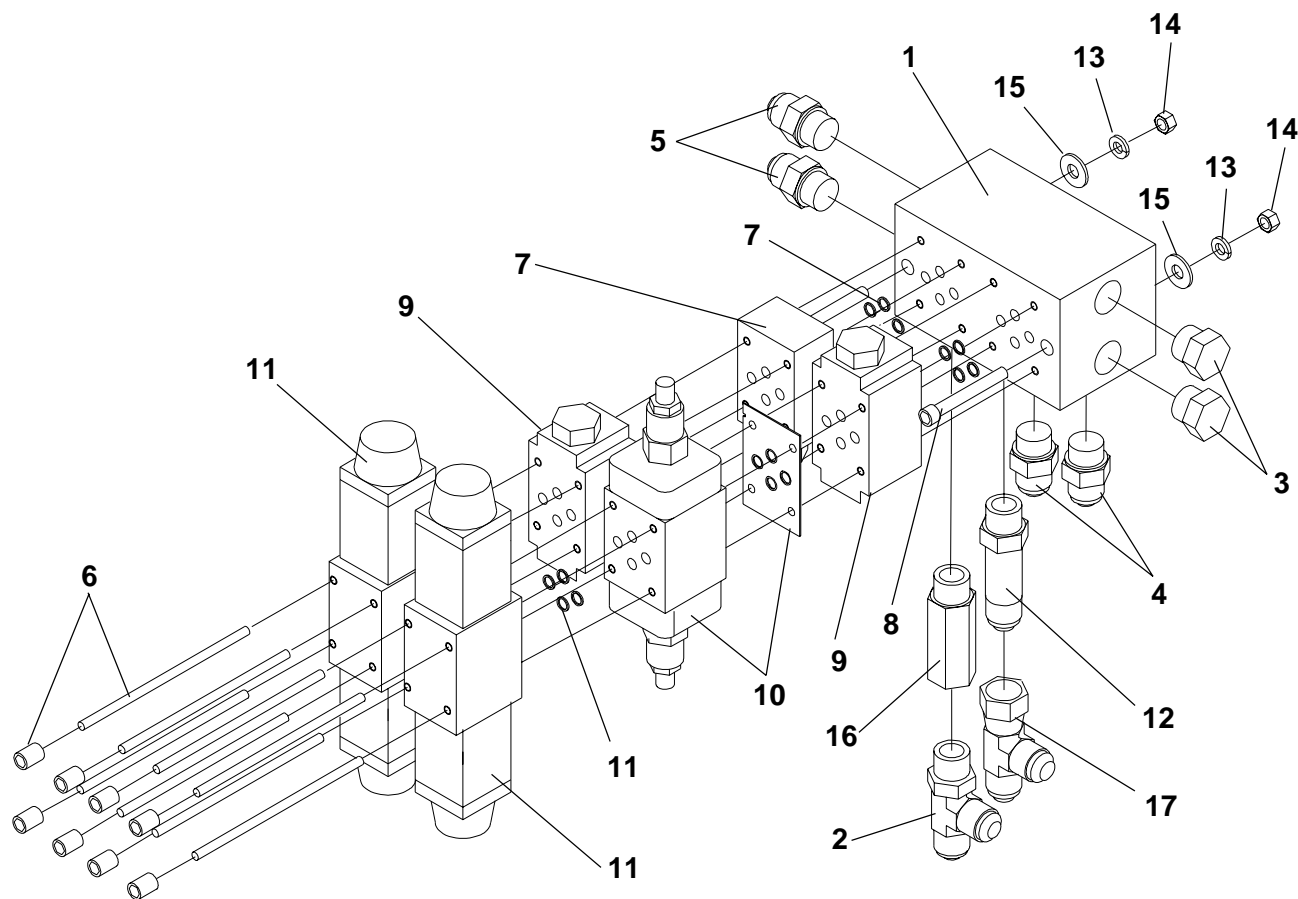


Ref. No.	Part Number	Description	Quantity
	9704-662-80	Valve Assembly - Complete	-
1	45252-501-03	Block, Valve	1
2	7430-292	Tee, 1/2" Run - with #17 O-Ring	1
3	7430-382	Plug, 3/4" - with #18 O-Ring	3
	45259-508-14	O-Ring, 3/4" (For above fitting)	As Req
4	7430-253	Connector, 3/4" x 3/8" - with #18 O-Ring	2
5	7430-255	Connector, 3/4" x 1/2" - with #18 O-Ring	1
6	45252-503-02	Cover Plate (Includes Hardware & O-Rings)	1
7	7430-278	Elbow, 90° 3/4" x 1/2" - with #18 O-Ring	1
8	7025-088	Capscrew, 5/16" x 3" Sockethead	2
9	45252-014-16	Valve, Holding - with O-Rings	1
10	45252-007-38	Valve, Flow Control	1
11	45252-005-53	Valve, Solenoid - with O-Rings	1
12	9704-663-01	Bolt Kit	1
13	7014-002	Lockwasher, 5/16"	2
14	7012-024	Hex Nut, 5/16"	2
15	7014-017	Washer, 5/16"	2
16	7430-345	Tee, 1/2" Swivel Nut	1
17	45259-508-46	O-Ring, 1/2" (For hydraulic fittings)	As Req
18	45259-508-14	O-Ring, 3/4" (For hydraulic fittings)	As Req

**Return to Table  
of Contents Page**



**Valve Assembly  
Right Hand Front Bulkhead**



Ref. No.	Part Number	Description	Quantity
	9704-662-81	Valve Assembly - Complete	-
1	45252-501-03	Block, Valve	1
2	7430-292	Tee, 1/2" Run - with #18 O-Ring	1
3	7430-382	Plug, 3/4" - with #19 O-Ring	2
4	7430-253	Connector, 3/4" x 3/8" - with #19 O-Ring	2
5	7430-255	Connector, 3/4" x 1/2" - with #19 O-Ring	2
6	9704-663-01	Bolt Kit	2
7	45252-007-39	Valve, Needle - with O-Rings	1
8	7025-088	Capscrew, 5/16" x 3" Sockethead	2
9	45252-014-16	Valve, Holding - with O-Rings	2
10	45252-007-38	Valve, Flow Control	1
11	45252-005-53	Valve, Solenoid - with O-Rings	2
12	45720-775-82	Fitting, 1/2"	1
13	7014-002	Lockwasher, 5/16"	2
14	7012-024	Hex Nut, 5/16"	2
15	7430-017	Washer, 5/16"	2
16	45090-001-46	Valve, Throttle	1
17	7430-345	Tee, 1/2" Swivel Nut - Male Branch	1
18	45259-508-46	O-Ring, 1/2" (For hydraulic fittings)	As Req
19	45259-508-14	O-Ring, 3/4" (For hydraulic fittings)	As Req



---

**Main Electrical Package****Basic Electrical Package for 362 Pavers - 05210JQD**Includes Kit Part Number: 09709-400-02

<b>Ref No.</b>	<b>Part No.</b>	<b>Description</b>	<b>Quantity</b>
1	9704-417-35	Main Junction Box - See Following Pages	1
2	9704-417-47	Control Console - See Following Pages	1
3	9704-376-38	Front Electrical Harness	1
4	9704-376-39	Rear Electrical Harness	1
5	9704-411-33	Screed Control Cable	1
6	Reference	Miscellaneous Elect. Parts - See Following Pages	-



**Main Junction Box**Part Number: 9704-417-35

Ref No	Part Number	Description	Quantity
1	9704-417-48	Enclosure, Junction Box	1
2	9704-417-49	Plate, Mounting	1
3	46200-011-61	Switch, Key	1
4	Consult Factory	Terminal Block	100
5	46015-001-49	Socket, Relay	9
6	46325-002-43	Relay, Power	9
10	46956-013-02	Plug, 12 Position	1
11	Consult Factory	Jumper, 2 Terminal	1
12	Consult Factory	Jumper, 4 Terminal	1
13	46165-005-01	Breaker, Circuit - 50 Amp	1
14	46165-004-84	Breaker, Circuit - 30 Amp	1
15	46165-004-83	Breaker, Circuit - 15 Amp	7
16	46165-508-03	Bus Bar	1
17	4494-105-15	Emblem, Main Box	1
18	46065-500-39	Module, Feed Interface	1
19	7504-064	Screw, #10 x 3/8"	11
20	7504-055	Screw, #8 x 3/4"	8
22	7438-023	Washer, #10 Shakeproof	7
23	7438-022	Washer, #8 Shakeproof	13
25	7014-003	Lockwasher, 3/8"	6
27	7012-003	Hex Nut, 3/8"	6
36	7515-791	Nameplate, Left	1
37	7515-792	Nameplate, Right	1
38	Consult Factory	Nameplate, K2	1
39	7515-776	Nameplate, Engine	1
40	7515-789	Nameplate, Front	1
41	7515-790	Nameplate, Rear	1
42	Consult Factory	Nameplate, Sreed Power	1
43	Consult Factory	Nameplate, K19	1
44	Consult Factory	Nameplate, Battery	1
45	Consult Factory	Nameplate, Starter	1
46	7515-794	Nameplate, K3	1
47	7530-114	Nameplate, K4	1
48	7530-115	Nameplate, K5	1
49	7530-118	Nameplate, K6	1
50	7515-795	Nameplate, K15	1
51	7515-796	Nameplate, K16	1
52	7515-797	Nameplate, K17	1
53	7515-798	Nameplate, K18	1
54	Consult Factory	Nameplate, K1	1
56	Consult Factory	End Stop	2
57	Consult Factory	Terminal	2
60	Consult Factory	Rail	As Req

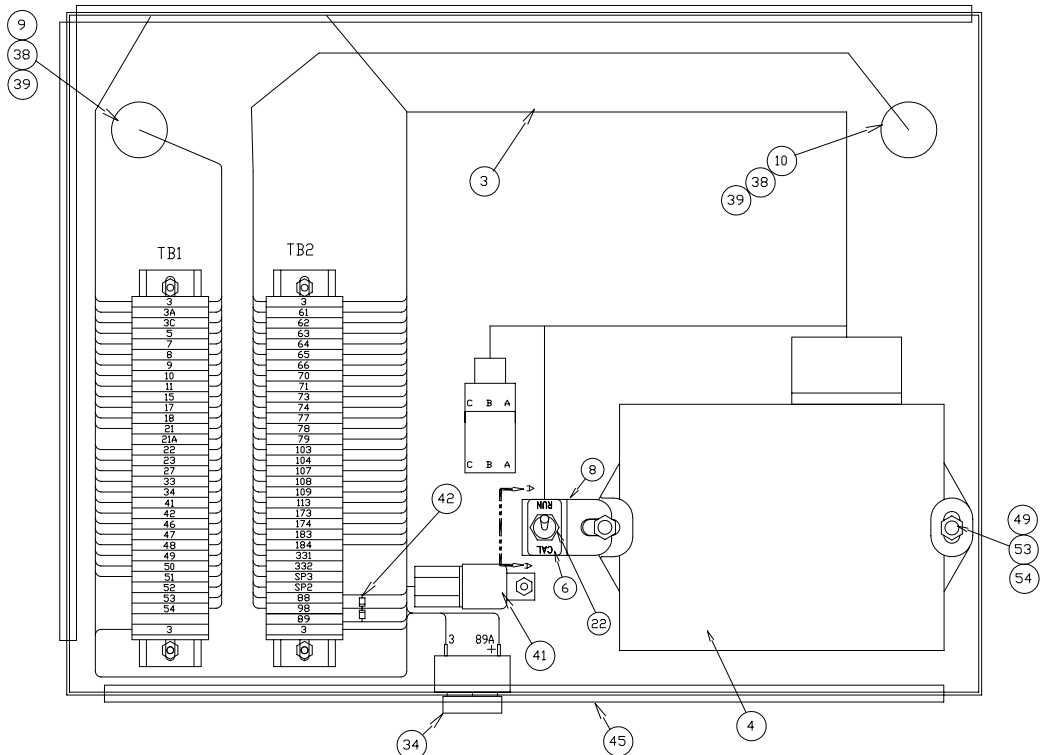
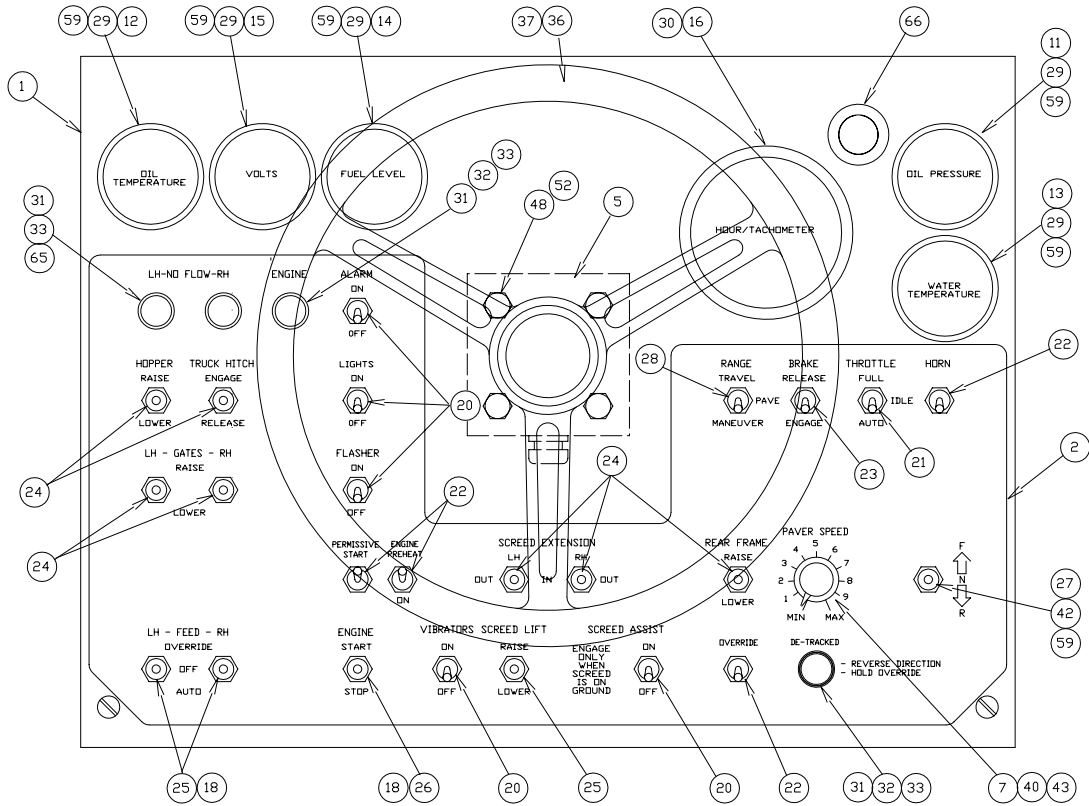
- Continued on next page -

**Main Junction Box**Part Number: 9704-417-35

<b>Ref No</b>	<b>Part Number</b>	<b>Description</b>	<b>Quantity</b>
62	Consult Factory	Ground Bar	2
63	46325-002-21	Relay	2
64	7435-130	Machine Screw, 1/4" x 3/8"	4
65	7435-025	Washer, Shakeproof	4
66	9704-376-64	Receptacle, Sreed	1
67	9704-376-40	Receptacle, Front Harness	1
68	9704-376-44	Receptacle, Rear Harness	1
69	9704-376-42	Receptacle, Engine Harness	1
70	9704-376-46	Receptacle, Left Console	1
71	9704-376-47	Receptacle, Right Console	1
72	46200-011-62	Switch, Disconnect Lock	1
73	9704-376-27	Harness, Grid Heat	1
74	Consult Factory	Nameplate, Grid Heat	1
75	46061-525-29	Controller Fan	1
76	46200-009-06	Switch	1
77	9704-416-94	Bracket, Switch	1



**Control Console**



## Control Console

 Part Number: 9704-417-47

Ref No	Part Number	Description	Quantity
1	9704-505-97	Enclosure, Console	1
2	4494-105-27	Emblem, Console - Track Paver	1
3	9704-376-32	Harness, Console - Track Paver	1
4	46061-525-22	Controller, Track Steering	1
5	46061-525-21	Sensor, Steer	1
6	4418-857	Emblem, CAL/RUN	1
7	9704-416-50	Potentiometer, Speed	1
8	9704-416-48	Bracket, Switch Mount	1
9	9704-411-29	Cable, Left Hand	1
10	9704-411-30	Cable, Right Hand	1
11	45865-002-41	Gauge, Oil Pressure	1
12	45865-003-16	Gauge, Oil Temperature	1
13	45865-003-17	Gauge, Water Temperature	1
14	45915-012-08	Gauge, Fuel Level	1
15	46225-001-24	Voltmeter, 12VDC	1
16	46225-010-17	Meter, Tach/Hour	1
18	46260-501-03	Jumper, Switch Block	3
20	46200-009-06	Switch, Toggle	5
21	46200-009-08	Switch, Toggle	1
22	46200-009-11	Switch, Toggle	4
23	46200-009-18	Switch, Toggle	1
24	46200-009-21	Switch, Toggle	7
25	46200-009-40	Switch, Toggle	3
26	46200-009-41	Switch, Toggle	1
27	46200-009-62	Switch, Toggle	1
28	46200-009-63	Switch, Toggle	1
29	46270-005-09	Light Kit, Meter	5
30	46270-005-10	Light Kit, 12VDC	1
31	46270-002-44	Lamp, 14VDC	4
32	46270-500-36	Lens, Red	2
33	46061-500-62	Socket	4
34	46010-001-29	Alarm, Signal	1
36	9704-502-98	Wheel, Steering	1
37	45259-517-07	Nut, 7/8"	2
38	46026-015-14	Connector, 90° 1-1/4"	2
39	46195-001-04	Locknut	2
40	46075-500-05	Knob, 1" Diameter	1
41	46325-002-43	Relay, Automotive	1
42	46955-001-43	Diode, 600V 6A	4
43	45890-100-06	Seal Nut, 3/8"	1
45	45890-800-31	Edging, 1/16" Aluminum	As Req
48	7383-034	Capscrew, 3/8" x 1/2"	4
49	7383-022	Capscrew, 5/16" x 1"	2
52	7014-003	Lockwasher, 3/8"	4
53	7014-002	Lockwasher, 5/16"	2
54	7012-024	Hex Nut, 5/16"	4
59	46275-001-02	Wire, Lug	9
65	46270-500-37	Lens, Amber	2
66	46085-401-46	Emergency Stop	1

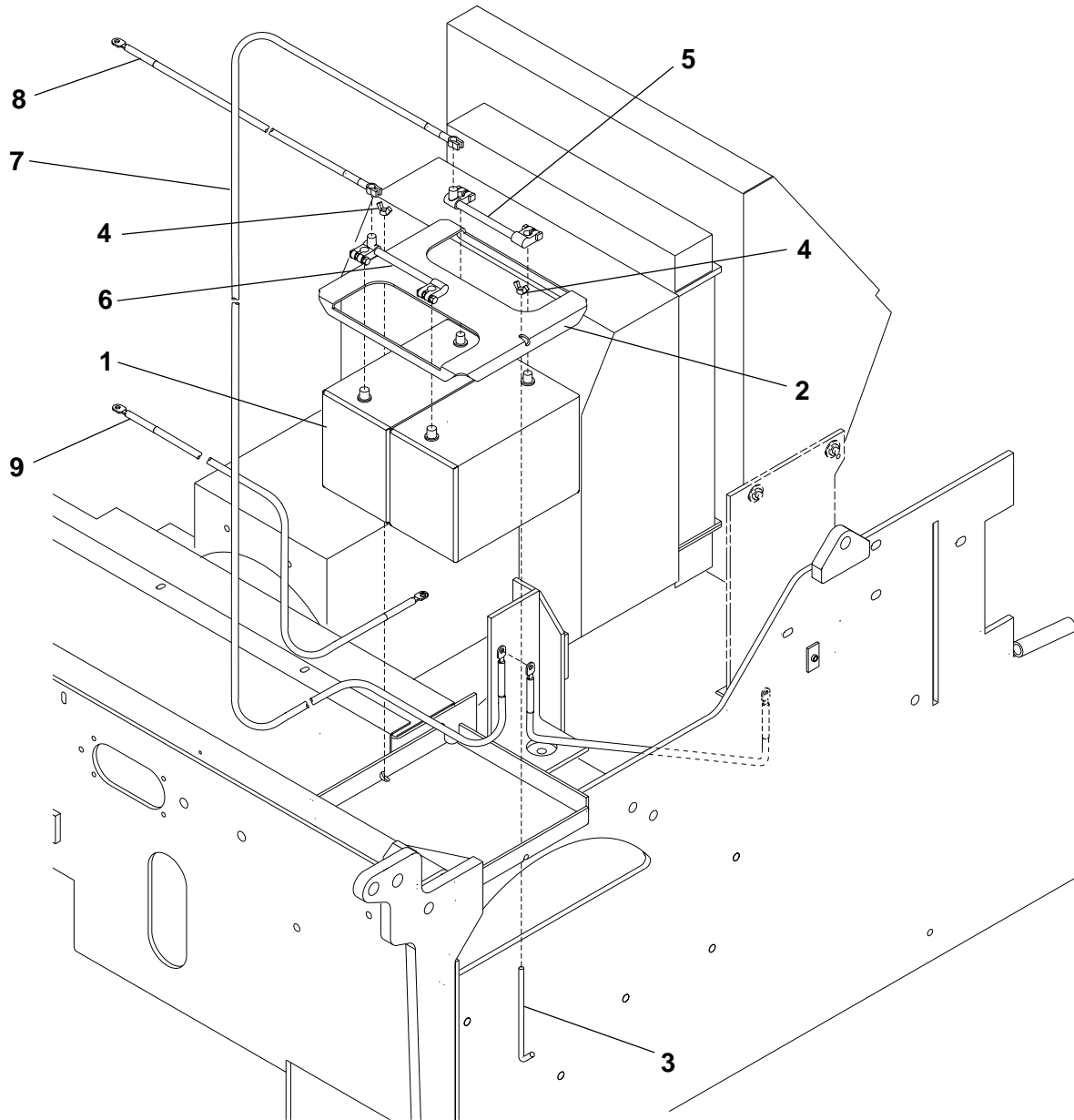
---

**Miscellaneous Electrical Parts**

ITEM	PART NUMBER	PART NAME	DESCRIPTION	QTY
01	0970940002	KIT	CR362 TRACTOR ELECTRICAL	1
03	4619500103	LOCKNUT	1"	4
04	4619500104	LOCKNUT	1-1/4"	2
05	4619500102	LOCKNUT	3/4"	4
06	4602603515	CONNECTOR	3/4" SIZE HUB	2
07	0970441622	PLATE	RH	1
08	0970441623	PLATE	LH	1
09	4631300227	COVER	CAP & CHAIN	2
10	4631300250	COVER	#14 CAP & CHAIN	1
11	07383023	CAPSCREW	5/16"NC X 1-1/4	8
12	07014002	WASHER	5/16" LOCK	12
13	07012024	HEX NUT	5/16" NC	8
14	07504052	MACH SCREW	#8-32 X 1/2" U	4
15	07438022	WASHER	#8 SHKP LK SINT	4
16	07440008	HEX NUT	#8 NC	4
17	07504007	MACH SCREW	#4-40 1/2" UND	12
18	07438019	WASHER	#4 SHKP LK	12
19	07440005	HEX NUT	#4 NC	12
21	4508052935	CLAMP HALF	1"	12
22	4508052927	PLATE	COVER FOR CLAMP	6
23	07014002	WASHER	5/16" LOCK	6
24	07383025	CAPSCREW	5/16"NC X 1-3/4	6
26	07509006	CLAMP	3/4"	8
27	07509008	HOSE CLAMP	15/16"	3
28	07383039	CAPSCREW	3/8"NC X 1-1/4	11
29	07014003	WASHER	3/8" LOCK	11
30	07012025	HEX NUT	3/8" NC	11
31	4508052929	CLAMP	1-1/4" HALF	2
32	4508052930	COVER	1-1/4" CLAMP	1
33	07014002	WASHER	5/16" LOCK	1
34	07383028	CAPSCREW	5/16"NC X 2-1/2	1
37	0970401232	SWITCH	TILT - FLOW INDICATORS	2
39	07198008	YOKE PIN	1/2" DIA	2
40	07011017	COTTER PIN	1/8" X 1"	2
42	0449410520	DIAGRAM	CR362 ELECTRICAL GEN 3	2



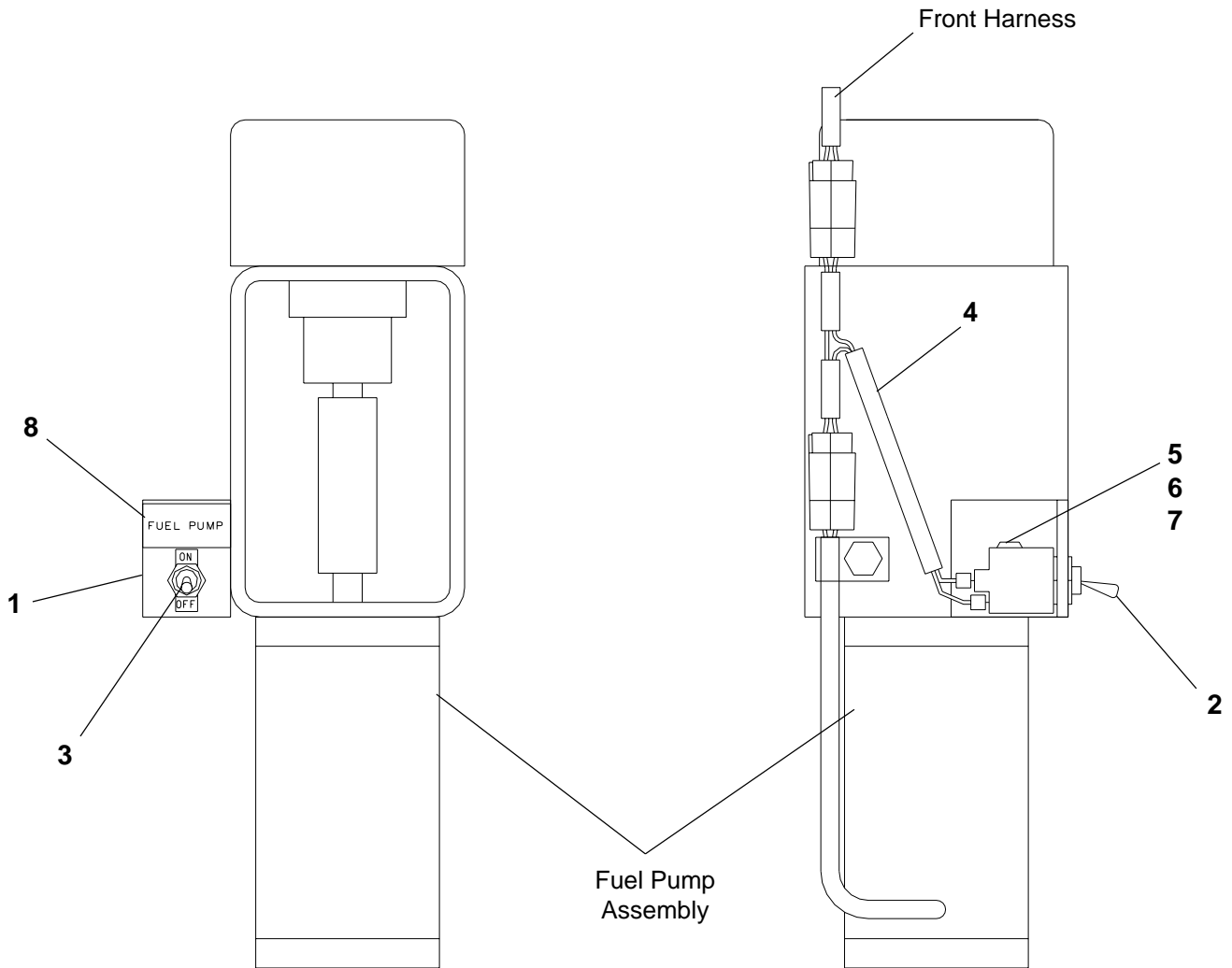
**Battery Mounting & Cables**



Ref. No.	Part Number	Description	Quantity
1	45040-250-08	Battery, 12V	2
2	9704-318-61	Clamp, Battery Hold Down	1
3	4445-406-10-02	Bolt, Hook	2
4	7056-011	Wing Nut, 3/8" NC	2
5	45040-127-03	Jumper, Battery Negative	1
6	45040-127-04	Jumper, Battery Positive	1
7	9704-410-51	Cable	1
8	9704-375-45	Cable, Battery	1
9	9704-410-97	Cable, Starter	1



### Fuel Pump Switch

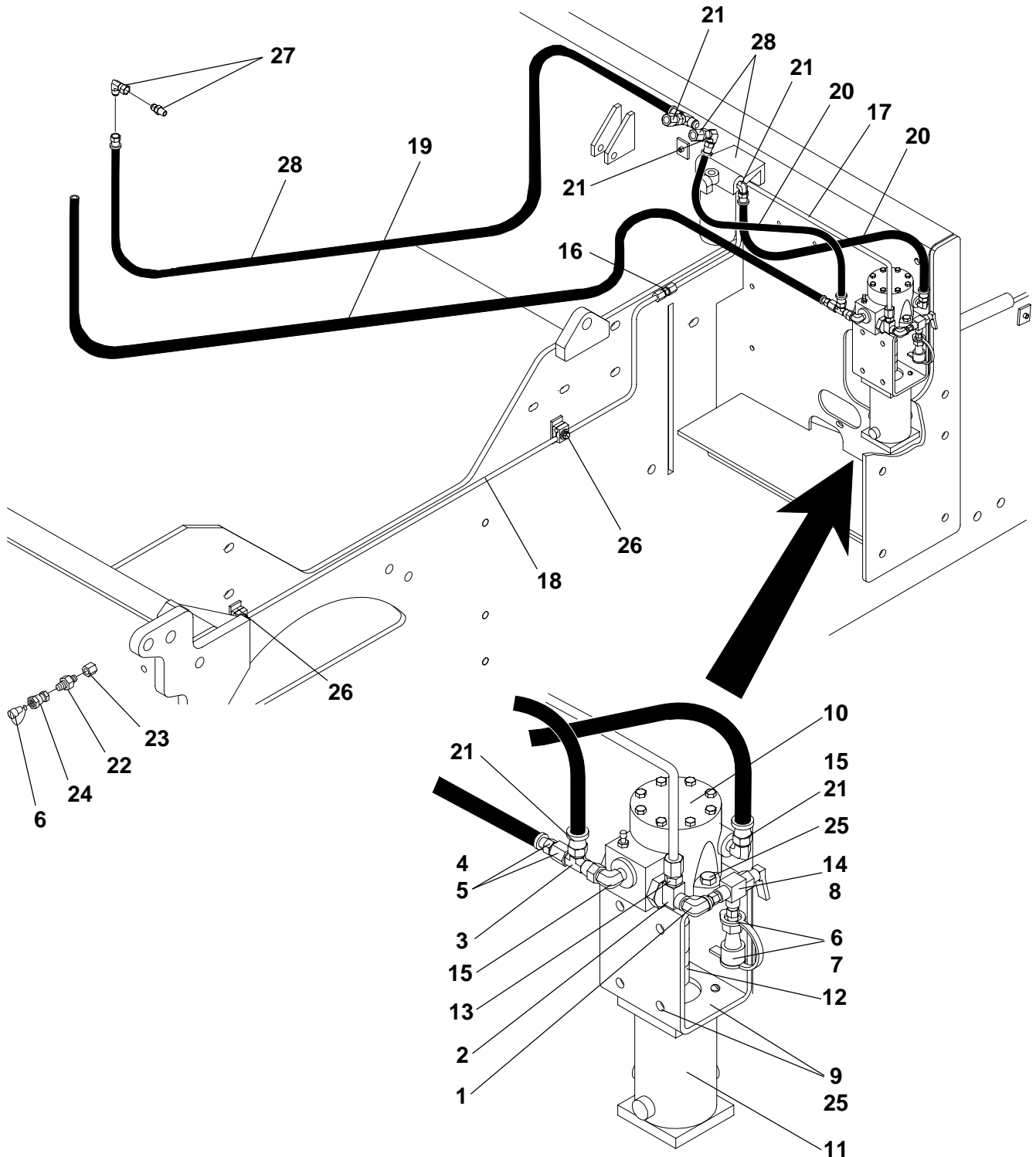


Ref. No.	Part Number	Description	Quantity
1	9704-416-43	Bracket, Switch	1
2	46200-009-06	Switch, Toggle	1
3	46200-508-02	Tag, Toggle Switch	1
4	9704-410-82	Harness, Switch	1
5	7383-038	Capscrew, 3/8" NC x 1"	1
6	7014-003	Lockwasher, 3/8"	1
7	7012-025	Hex Nut, 3/8" NC	1
8	7515-047	Nameplate, Fuel Pump	1





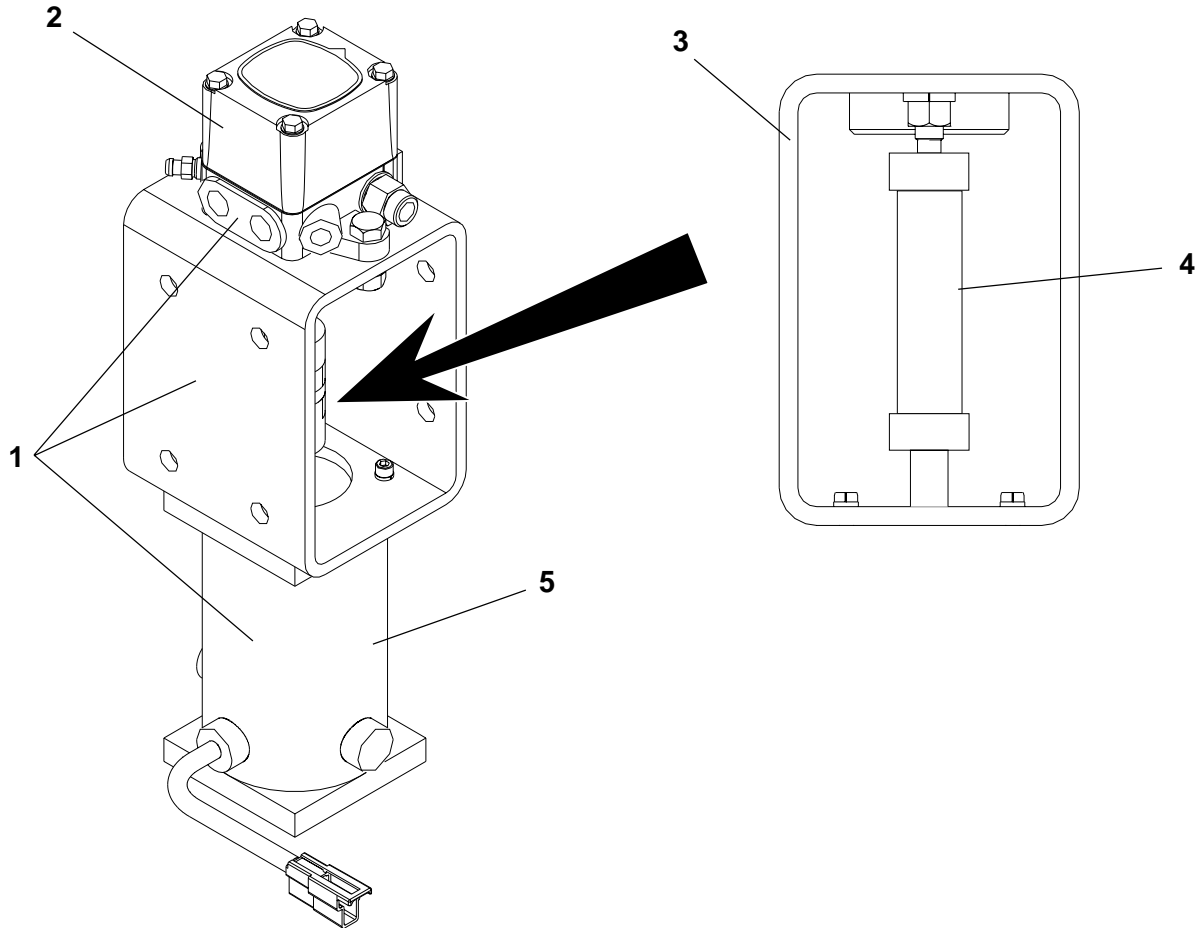
### Fuel System



## Fuel System

Ref. No.	Part Number	Description	Quantity
1	45720-770-01	Elbow, 1/8"	1
2	45720-776-14	Tee, 1/8"	1
3	7430-344	Tee, 3/8"	1
4	7430-323	Reducer, 1/4" x 3/8"	1
5	7430-206	Nut, 3/8"	1
6	45191-504-29-01	Plug, Dust	2
7	45191-504-29-03	Coupling, Quick Disconnect	1
8	45720-770-54	Nipple, 1/8"	2
9	9704-555-80	Mount	1
10	45652-528-11	Pump, Fuel ( See Form # 21900 This Section )	1
11	9704-316-07	Motor, Fuel Pump - Complete	1
	46098-400-14	Motor, Electric	1
	9704-316-08	Washer, Motor Seal	1
	45210-001-14	V-Seal - V12S	1
12	45652-511-06	Coupling	1
13	7430-043	Connector, 1/8" x 3/8"	1
14	45252-004-64	Valve	1
15	7430-019	Elbow, 90° 1/4" x 3/8"	2
16	7430-377	Union, 3/8"	1
17	9704-661-45	Tube Assembly	1
18	9704-658-71	Tube Assembly, Pump to Bulkhead	1
19	Reference	See Power Mounting, This Section	
20	50030-002-02	Hose, 3/8"	As Req
21	7431-008	Fitting, Hose 3/8"	5
22	45191-504-14-01	Coupling, 1/4"	1
23	7430-335	Connector, 3/8"	1
24	45720-770-21	Nipple, 1/4"	1
25	7383-039	Capscrew, 3/8" NC x 1-1/4"	4
	7014-003	Washer, 1/4" Lock	4
	7012-025	Hex Nut, 3/8" NC	4
26	45080-529-22	Clamp Half, for 3/8" Tube	4
	7383-023	Capscrew, 5/16" x 1-1/4"	2
	7014-017	Washer, 5/16"	2
	7014-002	Washer, 5/16" Lock	2
27	Reference	See Power Mounting, This Section	
28	Reference	See Hood & Accessories, This Section	

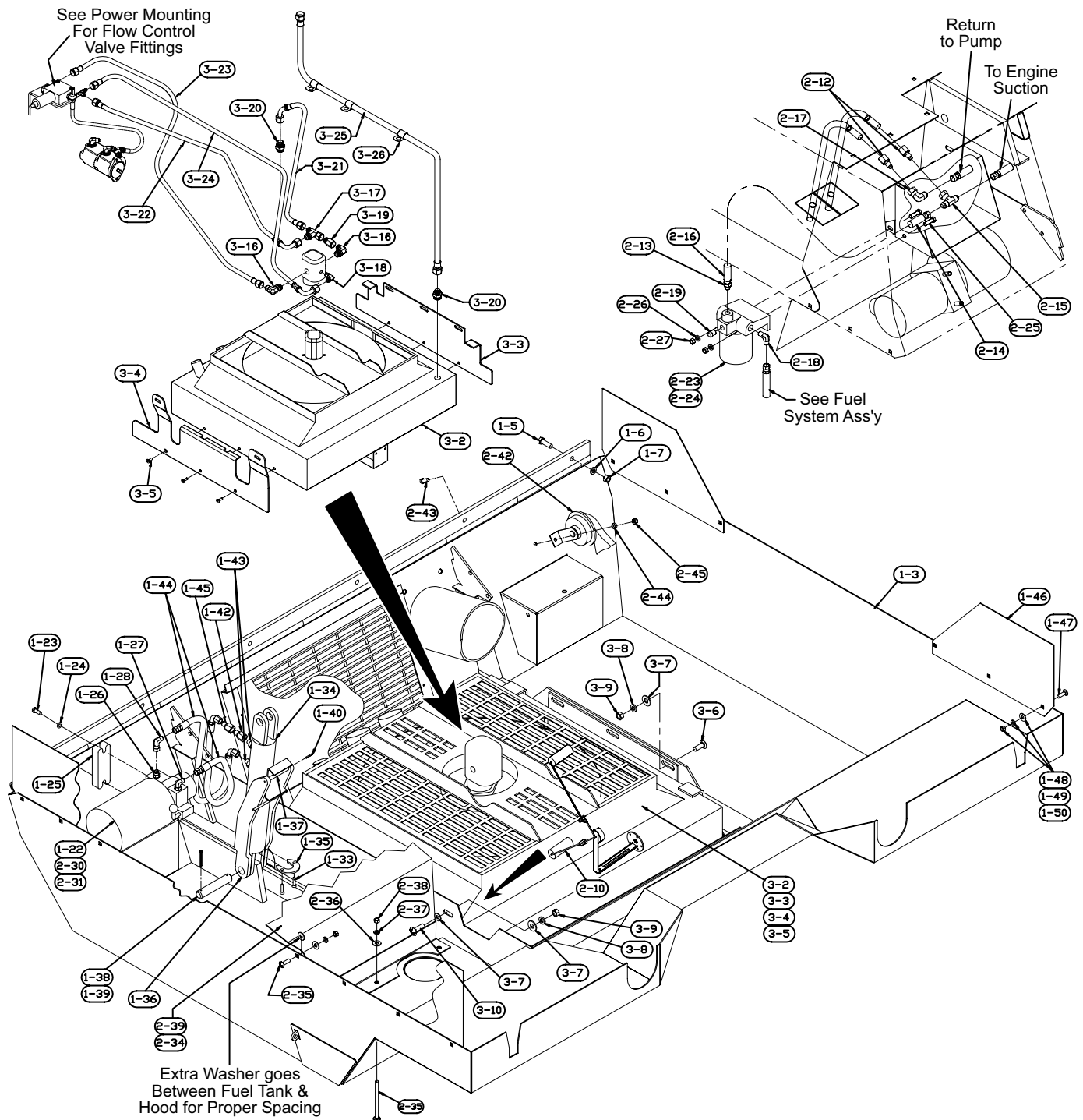
**Fuel Pump**



Ref. No.	Part Number	Description	Quantity
1	45652-528-11	Pump, Fuel - Complete	1
2	45652-528-11-01	Pump, Fuel	1
3	9704-555-80	Mount, Fuel Pump	1
4	45652-528-11-03	Coupling, 7/16" x 1/2"	1
5	9704-316-07	Motor, Fuel Pump w/Seal	1
	46098-400-14	Motor, Electric	1
	9704-316-08	Washer, Motor Seal	1
	45210-001-14	V-Seal - V-12S	1



## Hood Assembly & Oil Cooler Mounting





## Hood Assembly & Oil Cooler Mounting

Parts List No. 05210GEK

Ref No	Part Number	Part Name	Description	Quantity
1-3	K970430603	HOOD	300 SERIES	1
1-5	K7383070	KIT	CAPSCREW 1/2"NC X 1-1	6
1-6	K7014005	KIT	WASHER 1/2" LOCK	6
1-7	K7012027	HEX NUT	1/2"NC	6
1-10	0970430697	KIT	ACOUSTIC MATERIAL 352/362	1
1-22	4508000181	HYD UNIT	POWER PAK.	1
1-23	07383041	CAPSCREW	3/8"NC X 1-3/4"	2
1-24	07014003	WASHER	3/8" LOCK	2
1-25	0970432331	BLOCK	SPACER	1
1-26	07430416	CONNECTOR	3/8"JIC X 1/4"S	1
1-27	07430275	ELBOW	#6ORING 3/8"JIC 90 DEG	1
1-28	07430383	ELBOW	3/8" SWIVEL NUT	1
1-33	07389004	CAPSCREW	SCH 1/4NC X3/4	2
1-34	4509000785	H CYLINDER	2.5"BORE X 12"	1
1-35	0970431643	TRIP	CYLINDER HOOD LATCH	1
1-36	0970431797	FRAME	HOOD LATCH	1
1-37	0970431237	RELEASE	HOOD LATCH	1
1-38	0970431249	PIN	CYLINDER	1
1-39	07011066	COTTER PIN	5/32" X 2"	2
1-40	07238087	ROLL PIN	3/16" X 1"	2
1-42	4525901203	FITTING	ORIFICE 5/64" DIA	1
1-43	07430252	CONNECTOR	#6ORINGX3/8"JIC	2
1-44	0765102735	HOSE ASSY	3/8" ID X 27"	2
1-45	4525901202	RESTRICTER	3/64" ORIFICE	1
1-46	0970431288	HOOD	EXTENSION LH CR551	4
1-47	07072052	CARR BOLT	3/8"NC X 1"	12
1-48	07014018	WASHER	3/8"	12
1-49	07014003	WASHER	3/8" LOCK	12
1-50	07012025	HEX NUT	3/8" NC	12
2-10	4521551201	SENDER	FUEL	1
2-12	07430012	CONNECTOR	3/8"NPT-3/8"JIC	2
2-13	07431004	HOSE END	3/8"HOSE 3/8"NPT	1
2-14	07431008	HOSE END	3/8"HOSE SWIVEL	1
2-15	07430355	TEE	3/8"JIC SWIVEL NUT	1
2-16	5003000202	HOSE	3/8" ID	13'
2-17	07430383	ELBOW	3/8" SWIVEL NUT	1
2-18	07430020	ELBOW	3/8"NPT - 3/8"JIC	1
2-19	07024003	PIPE PLUG	3/8"	1
2-23	451750014301	ELEMENT	FUEL FILTER	1
2-24	451750014302	FILTER	HEAD	1
2-25	07383039	CAPSCREW	3/8"NC X 1-1/4	2
2-26	07014003	WASHER	3/8" LOCK	2
2-27	07012025	HEX NUT	3/8" NC	2

- Continued on next page -



## Hood Assembly & Oil Cooler Mounting

Parts List No. 05210GEK

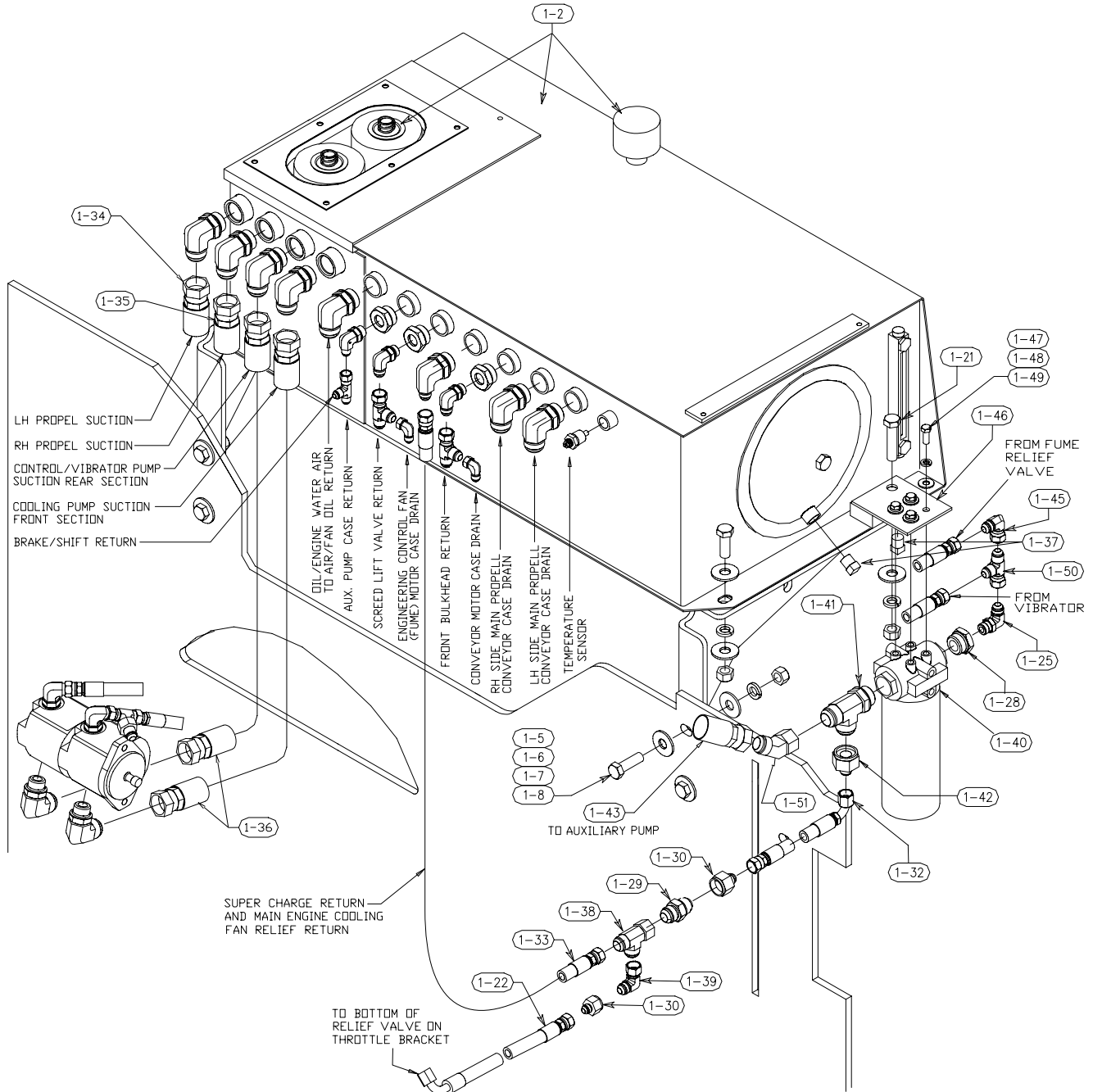
- Continued from previous page -

Ref No	Part Number	Part Name	Description	Quantity
2-30	0970441098	CABLE	STARTER TO HOOD RAISE	1
2-31	0970441032	WIRE	GROUND (HOOD RAISE)	1
2-34	0970430602	FUEL TANK	1	
2-35	07072052	CARR BOLT	3/8"NC X 1"	7
2-36	07014003	WASHER	3/8" LOCK	7
2-37	07014018	WASHER	3/8"	7
2-38	07012025	HEX NUT	3/8" NC	7
2-39	4521550105	CAP	1	
2-42	4601000112	HORN	12VAC	1
2-43	07383038	CAPSCREW	3/8" NC X 1"	1
2-44	07014003	WASHER	3/8" LOCK	1
2-45	07012025	HEX NUT	3/8" NC	1
3-2	4590500913	COOLER	6BTAA ENGINE - COMPLETE	1
	459050091301	RADIATOR		1
	459050091302	COOLER	OIL	1
	459050091303	COOLER	AIR	1
	0970432313	FAN	28" COOLER	1
	4508000635	MOTOR	HYDRAULIC	1
	07406020	BUSHING	TAPERED	1
	0970432307	ADAPTER		1
3-3	0970430626	MOUNTING	BRACKET RADIATOR	1
3-4	0970430627	MOUNTING	BRACKET RADIATOR	1
3-5	07389045	CAPSCREW	SCH1/2NCX1-1/4	6
3-6	07072101	CARR BOLT	1/2" X 1-1/4"	2
3-7	07014020	WASHER	1/2"	8
3-8	07014005	WASHER	1/2" LOCK	5
3-9	07012027	HEX NUT	1/2" NC	5
3-10	07383070	CAPSCREW	1/2"NC X 1-1/2	3
3-16	07430282	ELBOW	#12SAE #12JIC	2
3-17	07430347	TEE	3/4"JIC SWIVEL NUT	1
3-18	07430313	ELBOW	#6SAE X #6JIC 45DEG	1
3-19	4525100608	EXTENDER	#12JIC X #12JIC	1
3-20	07430264	CONNECTOR	1-5/16"SAE 3/4"	2
3-21	0765302134	HOSE ASSY	3/4" X 21"	1
3-22	0765304034	HOSE ASSY	3/4" ID X 40"	1
3-23	0766303635	HOSE ASSY	3/4" ID X 36"	1
3-24	0765110033	HOSE ASSY	3/8" ID	1
3-25	076531173501	HOSE ASSY	3/4" ID x 117"	1
3-26	07509010	HOSE CLAMP	1-1/4"	3





## Hydraulic Reservoir & Plumbing



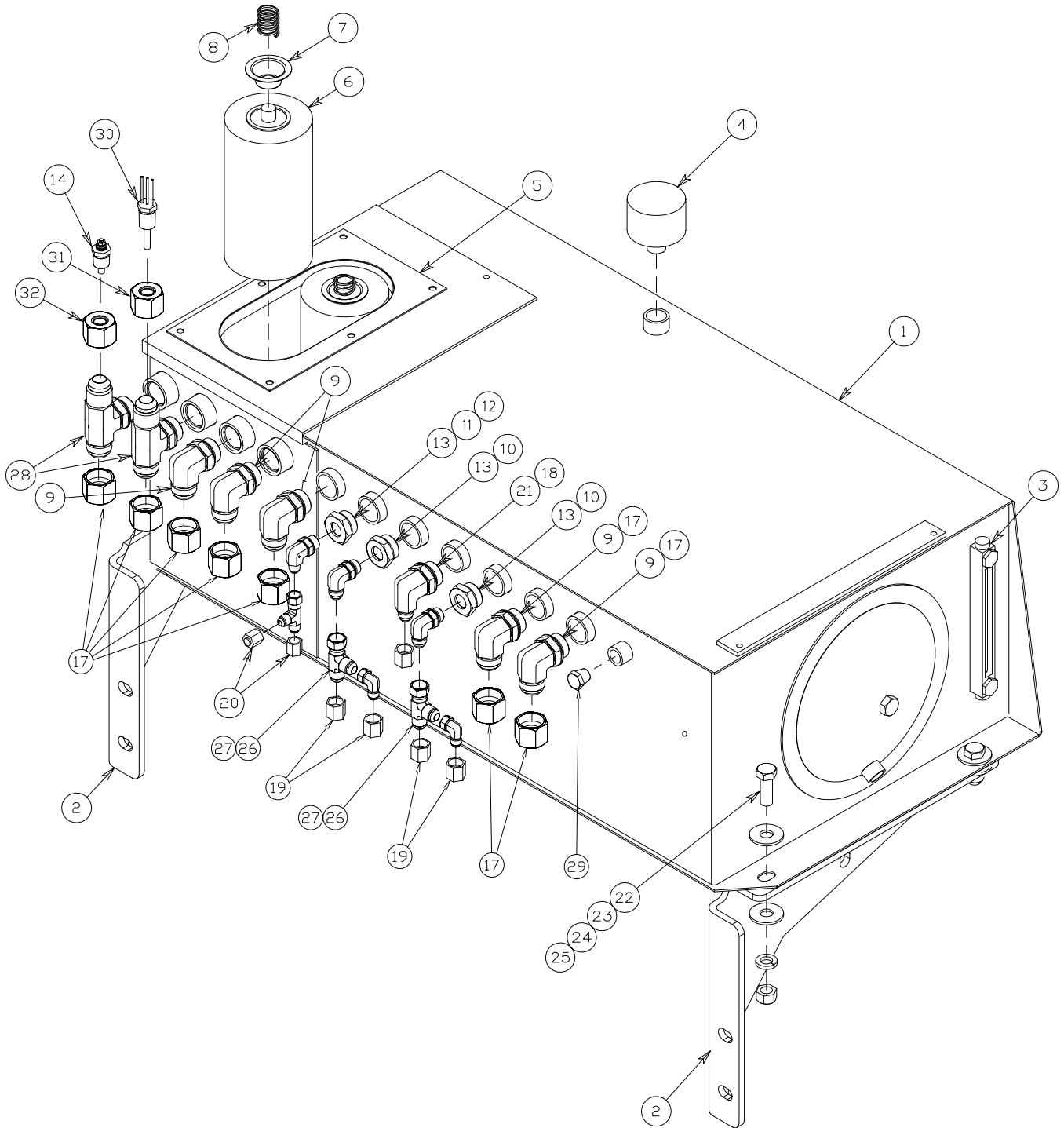


## Hydraulic Reservoir & Plumbing

Parts List No. 5210QAT

Ref. No.	Part Number	Description	Quantity
1-02	9704-323-20	See Hydraulic Reservoir Assembly - Following Pages	1
1-05	7383-102	Capscrew, 5/8" NC x 2"	4
1-06	7014-022	Washer, 5/8"	8
1-07	7014-007	Lockwasher, 5/8"	4
1-08	7012-029	Hex Nut, 5/8" NC	4
1-20	7383-101	Capscrew, 5/8" NC x 1-3/4"	3
1-21	7383-105	Capscrew, 5/8" NC x 2-3/4"	1
1-22	7652-017-33	Hose Assembly	1
1-25	7430-278	Elbow, 90° 3/4" x 1/2" - with #52 O-Ring	1
1-28	45720-775-28	Reducer, 1" x 1/2"	1
1-29	45252-010-25	Valve, Hi-Pressure In-Line	1
1-30	7430-330	Reducer, 3/4" to 1/2"	2
1-32	7652-018-35	Hose Assembly	1
1-33	7653-036-33	Hose Assembly	1
1-34	7634-049-33	Hose Assembly	1
1-35	7634-085-34	Hose Assembly	1
1-36	7634-051-33	Hose Assembly	2
1-37	7024-013	Pipe Plug, 3/4"	2
1-38	7430-347	Tee, 3/4" Swivel Nut	1
1-39	7430-387	Elbow, 3/4" Swivel Nut	1
1-40	45175-001-41	Filter, Spin-On	1
	45175-001-41-01	Element (For above filter)	As Req
1-41	7430-296	Tee, 1" Run - with #53 O-Ring	1
1-42	7430-409	Reducer, 1" to 1/2"	1
1-43	7634-042-33	Hose Assembly	1
1-45	7430-405	Elbow, 90° 1/2" Swivel Nut	1
1-46	9704-012-95	Bracket, Filter Mounting	1
1-47	7383-038	Capscrew, 3/8" NC x 1"	4
1-48	7014-018	Washer, 3/8"	4
1-49	7014-003	Lockwasher, 3/8"	4
1-50	7430-345	Tee, 1/2" Swivel Nut	1
1-51	7430-429	Elbow, 1" Swivel Nut	1
1-52	45259-508-14	O-Ring, 3/4" (For hydraulic fittings)	As Req
1-53	45259-508-15	O-Ring, 1-1/16" (For hydraulic fittings)	As Req

### Hydraulic Reservoir Assembly

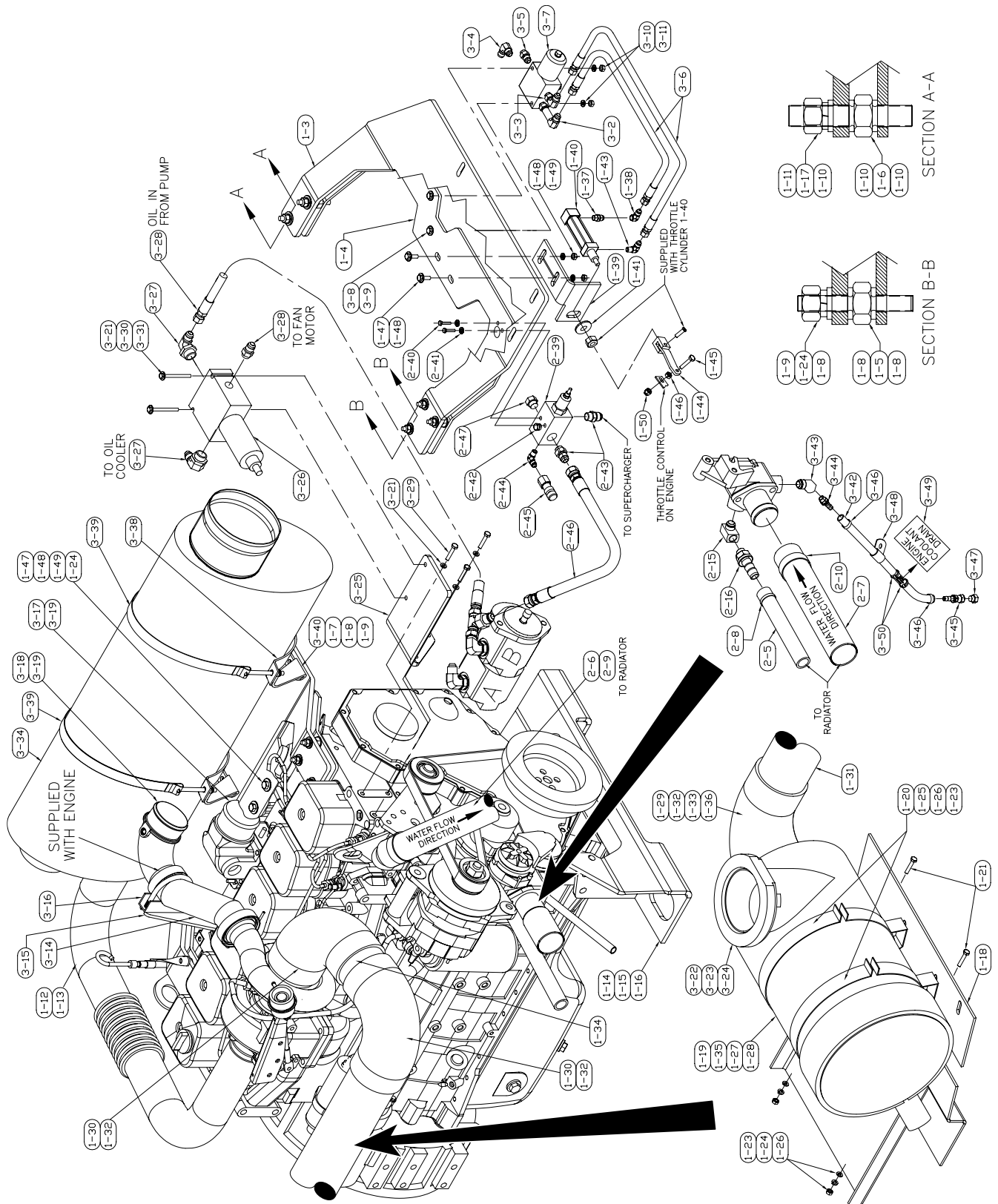


## Hydraulic Reservoir Assembly

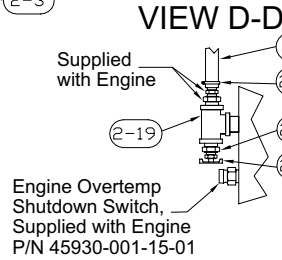
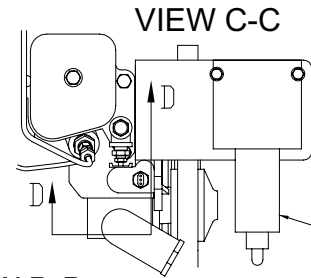
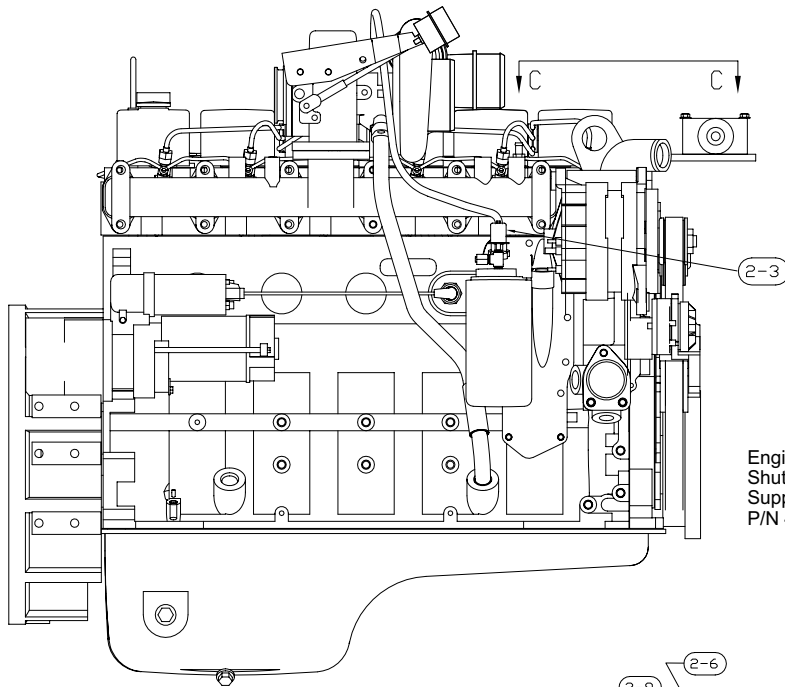
 Part Number: 9704-323-20

Ref. No.	Part Number	Description	Quantity
1	9704-314-72	Hydraulic Reservoir - Includes items 35 through 41	1
2	9704-314-73	Bracket, Left Hand Support	2
3	45865-001-30	Gauge, Oil Level	1
4	45215-502-03	Cap, Breather Fill	1
5	9704-659-22	Gasket, Reservoir	1
6	45175-509-03	Element, Filter - 10 Micron	2
7	45175-001-25-03	Cup, Valve	2
8	45870-001-34	Spring	2
9	7430-285	Elbow, 90° 1-5/16" x 1" - with #33 O-Ring	5
10	7430-278	Elbow, 90° 3/4" x 1/2" - with #34 O-Ring	2
11	7430-276	Elbow, 90° 3/4" x 3/8" - with #34 O-Ring	1
12	7430-344	Tee, 3/8" Swivel Nut - Male Branch	1
13	45720-775-28	Reducer, 1" x 1/2"	3
14	45865-003-18	Sender, Temperature	1
17	7430-233	Cap, 1" JIC	7
18	7430-231	Cap, 3/4" JIC	1
19	7430-229	Cap, 1/2" JIC	5
20	7430-228	Cap, 3/8" JIC	2
21	7430-378	Elbow, 3/4" x 1-5/16"	1
22	7383-101	Capscrew, 5/8" NC x 1-3/4"	4
23	7014-022	Washer, 5/8"	5
24	7014-007	Lockwasher, 5/8"	4
25	7012-029	Hex Nut, 5/8" NC	4
26	7430-345	Tee, 1/2"	2
27	7430-405	Elbow, 1/2" Swivel Nut	2
28	7430-307	Tee, 1" Branch	2
29	7024-004	Plug, 1/2"	1
30	45865-003-21	Sensor	1
31	9704-323-37	Cap, #16 x 3/8"	1
32	9704-323-38	Cap, #16 x 1/2"	1
33	45259-508-17	O-Ring, 1-5/16" (For hydraulic fittings)	As Req
34	45259-508-14	O-Ring, 3/4" (For hydraulic fittings)	As Req
<u>The following items are supplied with item #1. Not identified on the illustration</u>			
35	7054-005	Half Coupling, 3/4"	2
36	45720-776-13	Weld Boss Fitting, 1-5/16"	7
37	7054-004	Half Coupling, 1/2"	1
38	45080-519-16	Cover	1
39	45720-776-23	Elbow, 90°	4
40	7383-035	Capscrew, 3/8" NC x 5/8"	6
41	7014-003	Lockwasher, 3/8"	6

### Power Mounting

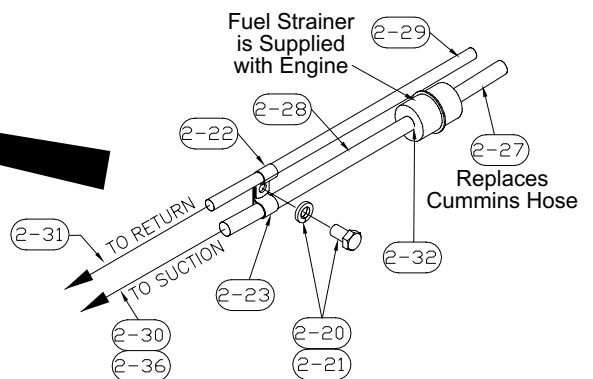
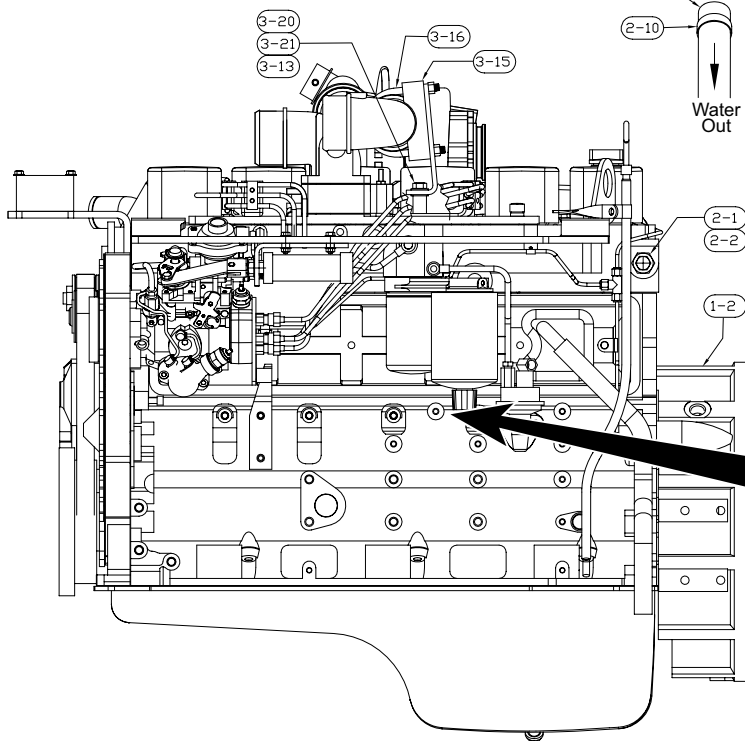
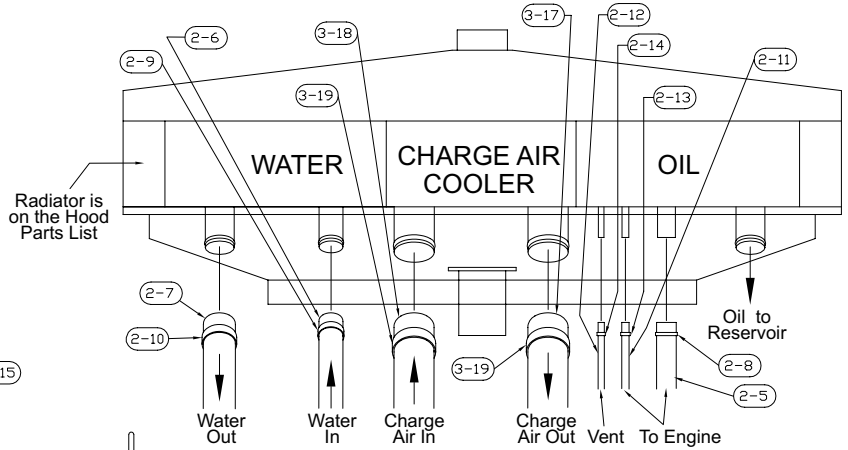


### Power Mounting



Note: Do not install Valve Support, 3-25 or Valve, 3-26 until the Tee, 2-19 has been installed.

### RADIATOR FRONT END





## Power Mounting

Part List No. 5210GSQ

Ref. No.	Part Number	Description	Quantity
1-2	Consult Factory	Engine, Cummins 6BTAA5 9 - <i>See Cummins Manual</i>	1
1-3	9704-306-12	Mounting, Plate Muffler	1
1-4	9704-306-56	Plate, Throttle	1
1-5	9704-306-57	Bolt, Standoff Muffler	3
1-6	9704-306-58	Bolt, Standoff Muffler	2
1-7	7383-039	Capscrew, 3/8" NC x 1-1/4	4
1-8	7014-018	Washer, 3/8"	13
1-9	7012-025	Hex Nut, 3/8" NC	7
1-10	7014-020	Washer, 1/2"	6
1-11	7012-027	Hex Nut, 1/2" NC	2
1-12	9704-315-98	Tube, Exhaust	1
1-13	45710-002-03	Clamp, 3" Saddle	1
1-14	9704-324-02	Mount, Front Engine	1
1-15	45890-300-54	Capscrew, Socket Head 12mm	8
1-16	45890-301-11	Washer, M12 x 18 x 2.5	8
1-17	7014-005	Washer, 1/2" Lock	2
1-18	9704-306-17	Bracket, Air Cleaner Support	1
1-19	9704-306-16	Air Cleaner Assembly - Complete	1
	9704-306-16-01	Primary Filter Element	1
	9704-306-16-02	Safety Filter Element	1
	9704-306-16-03	Vacuator Valve	1
1-20	9704-306-18	Mount, Band, Air Cleaner	2
1-21	7383-039	Capscrew, 3/8" NC x 1-1/4	2
1-23	7014-018	Washer, 3/8"	8
1-24	7014-003	Washer, 3/8" Lock	7
1-25	7383-036	Capscrew, 3/8" NC x 3/4"	4
1-26	7012-025	Hex Nut, 3/8" NC	6
1-27	7286-001	Elbow, 1/8" 45 Deg. Street	1
1-28	45690-001-26-03	Indicator, Restriction	1
1-29	9704-306-44	Elbow, 4 x 5 x 90	1
1-30	45340-001-23	Adapter, 4" ID 90 Deg. Elbow	2
1-31	9704-306-19	Tube, Air Cleaner	1
1-32	45191-007-20	Clamp, 4.5" T-Bolt	5
1-33	45191-007-22	Clamp, 5.625" T-Bolt	1
1-34	9704-306-20	Tube, Air Cleaner	1
1-36	45340-001-30	Reducer, Insert 5.0 to 4.5	1
1-37	45259-012-01	Limitter, 1/8" Throttle	1
1-38	7430-084	Elbow, 90° 1/8" x 1/4"	1
1-39	9704-306-30	Throttle, Bracket Cylinder	1
1-40	45090-010-42	Cylinder	1
1-41	7453-601	Washer, 5/8" Belleville	1
1-43	7430-016	Connector, 1/8" NPT-1/4" JIC	1
1-44	9704-306-74	Link, Throttle	1
1-45	7383-006	Capscrew, 1/4" NC x 1"	1

- Continued -

**Power Mounting - Continued...**Part List No. 5210GSQ

Ref. No.	Part Number	Description	Quantity
1-46	7012-023	Hex Nut, 1/4" NC	1
1-47	7383-039	Capscrew, 3/8" NC x 1-1/4	4
1-48	7014-018	Washer, 3/8"	8
1-49	7012-025	Hex Nut, 3/8" NC	4
1-50	45890-102-36	Locknut, 1/4" NC	1
2-1	7107-008	Bushing, 3/4 x 3/8	1
2-2	45865-003-19	Sender, Temperature	1
2-3	45865-002-17	Sensor, Oil Pressure	1
2-4	45865-003-21	Sensor, Water Fan Control	1
2-5	9704-323-10	Hose, Coolant Fill	1
2-6	9704-322-93	Hose, 1/75" ID	1
2-7	9704-322-94	Hose, 2.13" ID	1
2-8	45191-007-74	Clamp, T-Bolt 1.50"	2
2-9	45191-007-75	Clamp, T-Bolt 2.25"	2
2-10	46185-001-32	Clamp, T-Bolt 2.25"	2
2-11	50030-002-02	Hose, 3/8" ID	8'
2-12	50030-001-31	Hose, Fuel Line, SAE30R7	8'
2-13	45191-004-28	Clamp, 25/32" Hose	2
2-14	45191-004-75	Clamp, 5/8" Max. Hose	2
2-15	45191-007-80	Elbow, 3/4" Street	1
2-16	45191-510-65	Fitting, 1" Hose Barb x 3/4	1
2-17	7107-006	Bushing, 1/2 x 1/8	1
2-18	45250-007-08	Valve, 1/8" Pet Cock	1
2-19	45720-770-10	Tee Fitting	1
2-20	45890-300-60	Capscrew, M12 x 20 x 1.75	2
2-21	45890-301-11	Washer, M12 x 18 x 2.5	2
2-22	7509-003	Clamp, 1/2"	1
2-23	7509-004	Hose Clamp, 5/8"	1
2-24	40503-003-50-01	Pipe, 1/2" x 3-1/2"	1
2-27	50030-002-02	Hose, 3/8" ID	12'
2-28	50030-002-02	Hose, 3/8" ID	12'
2-29	50030-001-31	Hose, Fuel Line	12'
2-30	7431-008	Hose End, 3/8" Hose Swivel	2
2-31	7431-006	Hose End, 1/4" Hose Swivel	1
2-32	45191-004-28	Clamp, 25/32" Hose	3
2-36	45191-004-75	Clamp, 5/8" Max Hose	2
2-39	45252-009-19	Valve	1
2-40	7383-005	Capscrew, 1/4" NC x 7/8"	2
2-41	7014-001	Washer, 1/4" Lock	2
2-42	45720-770-60	Plug, 1/4" Pipe	1
2-43	7430-256	Connector, #10 SAE #8 JIC	2
2-44	7430-019	Elbow, 1/4" Pipe, x #6 JIC	1
2-45	45080-527-18	Fitting, Test 3/8" Male JIC	1
2-46	7652-018-33	Hose Assembly, Vibrator Return	1
2-47	7430-386	Plug, 5/8"	1

- Continued -



**Power Mounting - Continued...**Part List No. 5210GSQ

Ref. No.	Part Number	Description	Quantity
3-2	7430-105	Elbow, 1/4" NPT-3/8" JIC	1
3-3	7430-019	Elbow, 1/4" Pipe x #6 JIC	1
3-4	7430-019	Elbow, 1/4" Pipe x #6 JIC	1
3-5	7430-004	Connector, 1/4" P x #6 JIC	1
3-6	7650-018-33-01	Hose Assembly, 1/4" ID x 18"	2
3-7	45252-005-54	Valve	1
3-8	7383-012	Capscrew, 1/4" NC x 2-1/2"	2
3-9	7014-016	Washer, 1/4"	2
3-10	7014-001	Washer, 12/4" Lock	2
3-11	7012-023	Hex Nut, 1/4" NC	2
3-13	9704-306-86	Standoff, Turbo	2
3-14	9704-306-63	Extension, Turbo	1
3-15	9704-306-85	Support Extension	1
3-16	45710-002-03	Clamp, 3" Saddle	1
3-17	9704-323-94	Hose, CAC 39"	1
3-18	9704-323-93	Hose, CAC 43"	1
3-19	45191-007-16	Clamp, T-Bolt	4
3-20	45890-303-04	Capscrew, M8 x 70MM	2
3-21	7014-017	Washer, 5/16"	9
3-22	9704-306-32	Flange, Air Cleaner	1
3-23	9704-306-33	Gasket, Air Cleaner Flange	1
2-24	45191-004-66	Clamp, SS Hose	1
3-25	9704-306-88	Support, Hydraulic Valve	1
3-26	45252-007-37	Valve, Press Compensated	1
3-27	7430-282	Elbow, #12 SAE #12 JIC	3
3-28	7663-029-35	Hose Assembly 3/4" x 29" Long	1
3-29	45890-300-57	Capscrew, M8 x 1.25 x 25MM	3
3-30	7383-028	Capscrew, 5/16"NC x 2-1/2	2
3-31	7014-017	Washer, 5/16"	2
3-32	7014-002	Washer, 5/16" Lock	2
3-34	7430-347	Tee, 3/4" JIC Swivel Nut	1
3-35	7430-209	Nut, 3/4" JIC	1
3-36	7430-329	Reducer, 3/4" to 3/8"	1
3-37	9704-306-31	Muffler, Fume Cover	1
3-38	45710-002-14	Clamp, Muffler Mounting	2
3-39	46185-001-26	Clamp, Strap	2
3-40	9704-319-91	Front Mount, Fume Recovery	2
3-42	50030-002-03	Hose, 1/2" ID	7.5'
3-43	45191-007-79	Elbow, 45 Deg. Street	1
3-44	45191-510-63	Fitting, 1/2" Barb x 1/2" NPT	1
3-45	45191-503-70	Fitting, Hose End	3
3-46	45191-004-34	Clamp, 9/16" -1-1/16"	4
3-47	7430-240	Plug, #8	1
3-48	7509-009	Hose Clamp, 1-1/8"	2
3-49	7470-169	Nameplate, Coolant Drain	1
3-50	46320-001-20	Cable Tie, 3/8" - 1-3/4"	2
3-51	7430-367	Union, 1/2" JIC Bulkhead	1



**Return to Table  
of Contents Page**



---

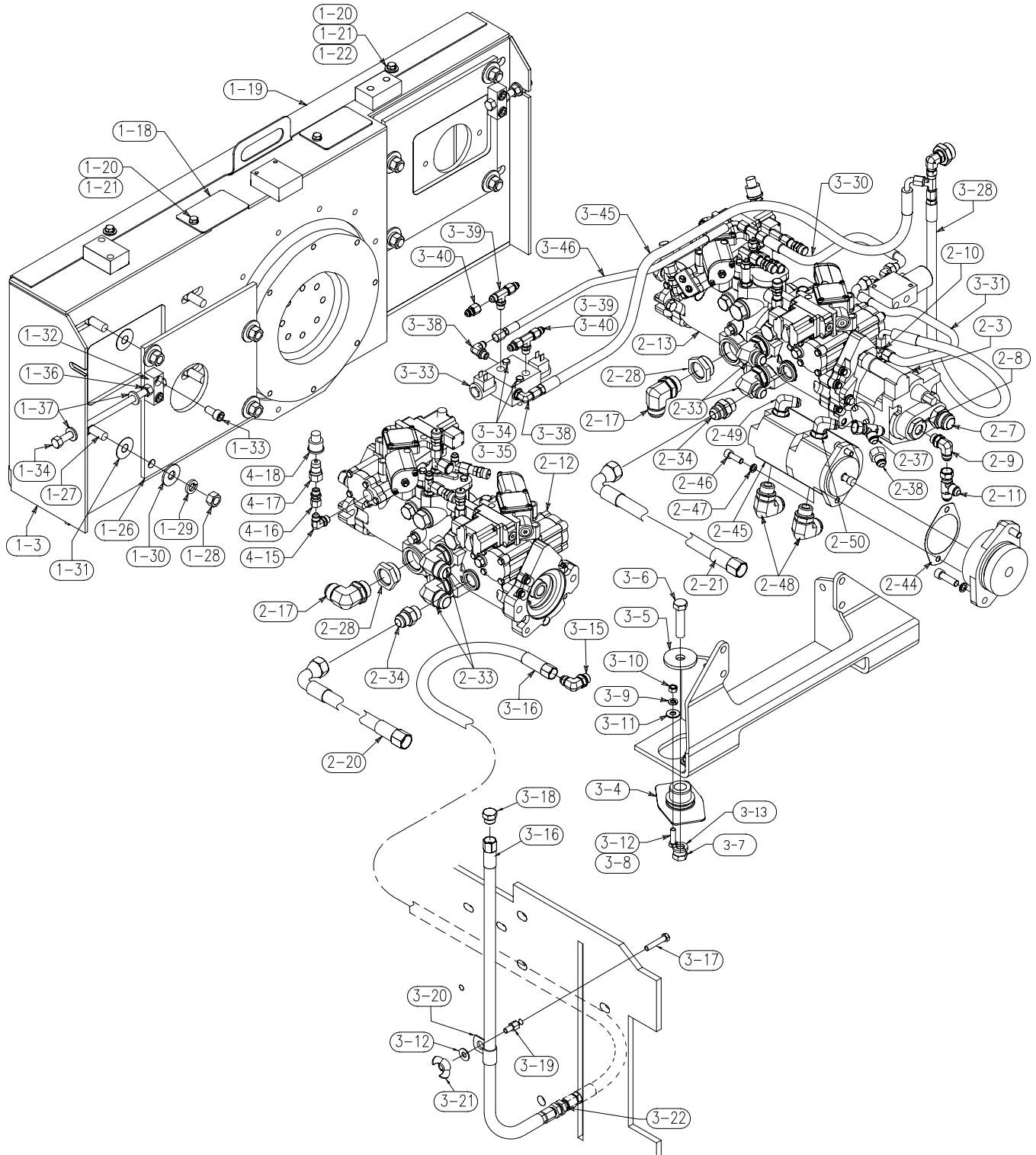
## Table of Contents

### Pump Drive Components - 05210DBJ

<b>Ref No.</b>	<b>Description</b>	<b>Page No.</b>
<u>1</u>	<u>Pump Drive Illustration - Part 1</u>	<u>2</u>
<u>2</u>	<u>Pump Drive Illustration - Part 2</u>	<u>3</u>
<u>3</u>	<u>Pump Drive Parts List - Part 1</u>	<u>4</u>
<u>4</u>	<u>Pump Drive Parts List - Part 2</u>	<u>5</u>
<u>5</u>	<u>Auxiliary Pump</u>	<u>6</u>

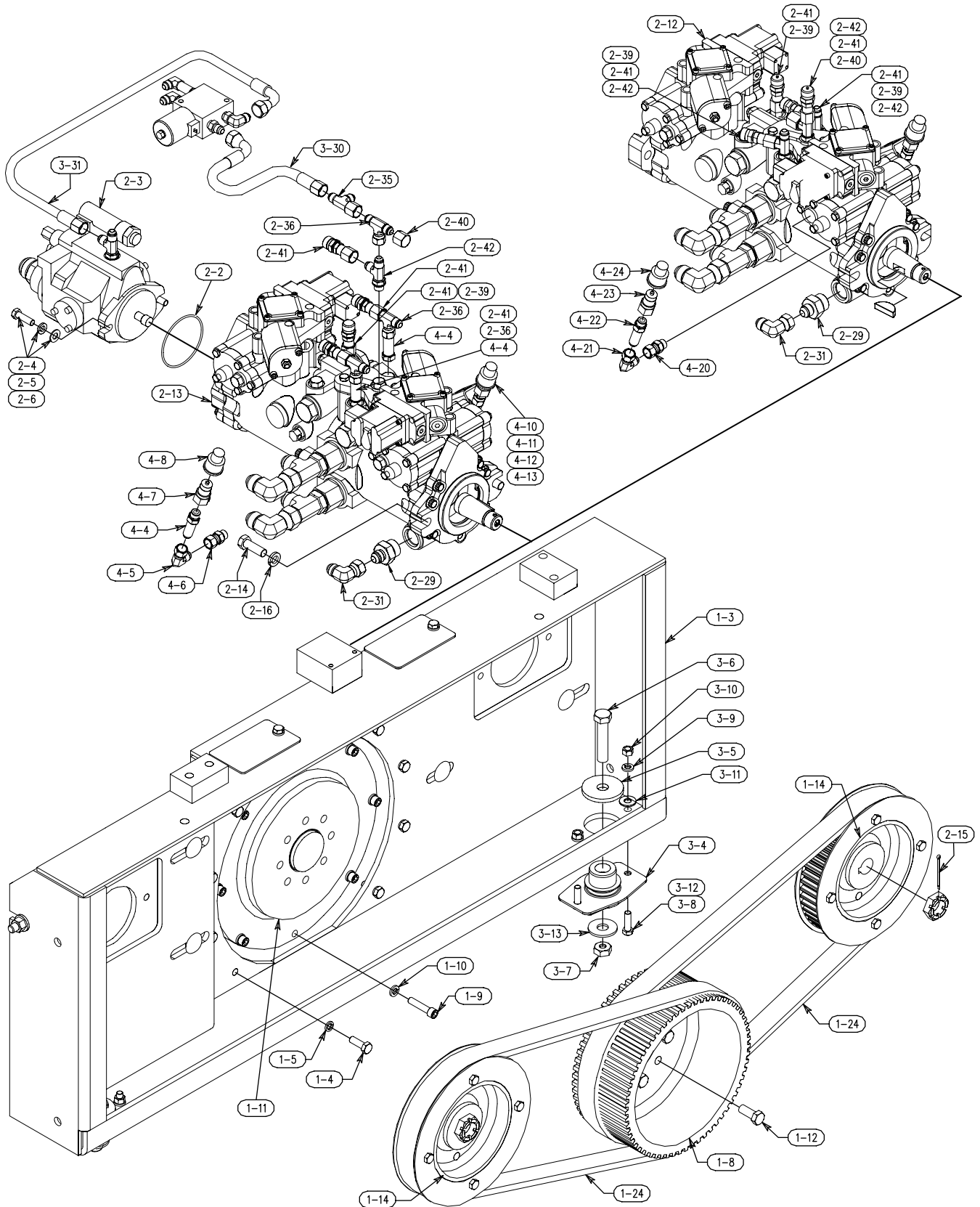
Return to Table  
of Contents Page

### Pump Drives



Return to Table  
of Contents Page

Pump Drives - Continued...



**Return to Table  
of Contents Page**



## Pump Drives

Parts List No. 5210DBJ

Ref. No.	Part Number	Description	Quantity
1-3	9704-323-74	WELDMENT, PUMP DRIVE HOUSING	1
1-4	45890-300-02	CAPSCREW, M10 X 30 HEX HD	12
1-5	45890-301-10	LOCKWASHER, 10MM STYLE 79	12
1-8	4431-717-01	SPROCKET, 61 TOOTH	1
1-9	7025-016	CAPSCREW, SCH 3/8" NC X 1-3/4"	8
1-10	7014-003	WASHER, 3/8" LOCK	8
1-11	9704-155-80	ADAPTER, SPROCKET	1
1-12	7394-069	CAPSCREW, 1/2" NF X 1-1/4"	8
1-14	9704-316-47	SPROCKET, PUMP	2
1-18	9704-314-18	COVER, INSPECTION	2
1-19	9704-306-72	COVER	1
1-20	7383-036	CAPSCREW, 3/8" NC X 3/4"	4
1-21	7014-003	WASHER, 3/8" LOCK	4
1-22	7014-018	WASHER, 3/8"	2
1-24	45825-004-04	BELT, 125 TEETH 37MM WIDE	2
1-26	9704-314-55	PLATE	2
1-27	7072-197	CARR BOLT, 5/8" NC X 1-3/4"	8
1-28	7012-029	HEX NUT, 5/8" NC	8
1-29	7014-007	WASHER, 5/8" LOCK	8
1-30	7014-022	WASHER, 5/8"	8
1-31	9704-314-92	SHIM	10
1-32	9704-312-41	BLOCK, ADJ BOLT	2
1-33	7025-020	CAPSCREW, SCH 1/2" NC X 1"	4
1-34	7285-009	ADJ BOLT, 1/2" NC X 4"	2
1-36	7012-027	HEX NUT, 1/2" NC	6
1-37	7465-001	WASHER, 1/2" HARDENED FLAT	4
2-2	45240-125-62	O RING, 3.443" OD .103" WALL	1
2-3	45080-002-10	PUMP, AUXILIARY - SEE FORM 21328, FOLLOWING PAGE	1
2-4	7383-039	CAPSCREW, 3/8" NC X 1-1/4"	2
2-5	7014-003	WASHER, 3/8" LOCK	2
2-6	7465-014	WASHER, 3/8" HARDENED FLAT	2
2-7	7430-267	CONNECTOR, #16 SAE X #16 JIC	1
2-8	45720-775-28	REDUCER, 1" SAE X 1/2" SAE	1
2-9	7430-278	ELBOW, #8 SAE X #8 JIC	1
2-10	7430-291	TEE, 3/8" JIC X 3/8" SAE	1
2-11	7430-345	TEE, 1/2" JIC SWIVEL NUT	1
2-12	45080-002-60	PUMP, TANDEM - MDT- M46	1
2-13	45080-002-40	PUMP, TANDEM - 2.8 CID	1
2-14	7383-070	CAPSCREW, 1/2" NC X 1-1/2"	4
2-15	7011-064	COTTER PIN, 1/8" X 2"	2
2-16	7014-005	WASHER, 1/2" LOCK	4
2-17	7430-285	ELBOW, #16 SAE X #16 JIC	2
2-20	7653-093-35-01	HOSE, CASE DRAIN - RH 93"	1
2-21	7653-060-35-01	HOSE, CASE DRAIN - LH 60"	1
2-28	45720-770-94	REDUCER, #20 X #16 SAE	2
2-29	7430-257	CONNECTOR, 1-1/6" SAE X 1/2"	2
2-31	7430-405	ELBOW, 1/2" SWIVEL	2
2-33	7430-378	ELBOW, 1-5/16" SAE X 3/4" JIC	4
2-34	7430-263	CONNECTOR, 1-1/16" SAE X 3/4" JIC	2
2-35	7430-344	TEE, 3/8" JIC SWIVEL NUT	1

**Return to Table  
of Contents Page**



## Pump Drives - Continued...

Parts List No. 5210DBJ

Ref. No.	Part Number	Description	Quantity
2-36	7430-355	TEE, 3/8" JIC SWIVEL NUT	3
2-37	7430-347	TEE, 3/4" JIC SWIVEL NUT	1
2-38	7430-330	REDUCER, 3/4" X 1/2"	1
2-39	7430-252	CONNECTOR, #6 O-RING X 3/8" JIC	4
2-40	7430-228	CAP, 3/8"	1
2-41	45080-527-18	FITTING, TEST 3/8" MALE JIC	8
2-42	7430-291	TEE, 3/8" JIC X 3/8" SAE	4
2-44	45240-125-65	O-RING	1
2-45	45080-003-58	PUMP, HYDRAULIC - DUAL CHAMBER	1
2-46	45890-303-64	CAPSCREW, M12 X 1.75 X 80	2
2-47	45890-301-11	LOCKWASHER, M12 X 18 X 2.5	2
2-48	7430-285	ELBOW, #16 SAE X #16 JIC	2
2-49	7430-466	ELBOW, 3/4" SAE X 1/2" JIC	1
2-50	7430-282	ELBOW, #12 SAE X #12 JIC	1
3-4	45905-017-07	ENGINE MOUNT	4
3-5	8049A06	WASHER, 1/4" THICK	4
3-6	7383-106	CAPSCREW, 5/8" X 3"	4
3-7	45890-102-29	LOCKNUT 5/8" NC	4
3-8	7383-039	CAPSCREW, 3/8" NC X 1-1/4"	8
3-9	7014-003	WASHER, 3/8" LOCK	8
3-10	7012-025	HEX NUT, 3/8" NC	8
3-11	7014-018	WASHER, 3/8"	8
3-12	7438-009	WASHER, 3/8" SHAKEPROOF LOCK	8
3-13	7014-022	WASHER, 5/8"	4
3-15	45720-775-50	ADAPTER, M18 X 1.5" STUD	1
3-16	7652-047-35	HOSE ASSY 1/2" ID X 47"	2
3-17	45890-252-29	CAPSCREW, 3/8" NC X 2-1/2"	1
3-18	7430-240	PLUG, #8	1
3-19	45890-100-50	NUT, COUPLING - 3/8" NC X 1/2"	1
3-20	7509-009	HOSE CLAMP, 1-1/8"	1
3-21	7056-011	WING NUT, 3/8" NC	1
3-22	7430-367	UNION, 1/2" JIC BULKHEAD	1
3-28	7651-030-35	HOSE ASSY, 3/8" ID X 30"	1
3-30	7651-015-35	HOSE ASSY, 3/8" ID X 15"	1
3-31	7651-019-35	HOSE ASSY, 3/8" ID X 19"	1
3-33	9704-656-69	VALVE, BRAKE/RANGE SHIFT	1
3-34	7383-027	CAPSCREW, 5/16" NC X 2-1/4"	2
3-35	7014-002	WASHER, 5/16" LOCK	2
3-38	7430-275	ELBOW, #6 O-RING X 3/8" JIC 90°	2
3-39	7430-302	TEE, 3/8"	2
3-40	45259-012-03	FITTING, ORIFICE 5/64" DIA	4
3-45	7651-062-33	HOSE ASSY, 3/8" ID X 62"	1
3-46	7651-039-35	HOSE ASSY, 3/8" ID X 39"	1
4-4	45720-776-03	ADAPTER, 3/8" SAE X 3/8" JIC	3
4-5	7430-383	ELBOW, 3/8" SWIVEL NUT	1
4-6	7430-432	CONNECTOR, 3/8" SAE X 3/8" JIC	1
4-7	45191-504-33-01	NIPPLE, 3/8" Q.D.	1
4-8	45191-504-33-04	CAP, DUST	1
4-10	7430-275	ELBOW, #6 O-RING X 3/8" JIC 90°	1
4-11	7430-432	CONNECTOR, 3/8" SAE X 3/8" JIC	1

**Return to Table  
of Contents Page**



## Pump Drives - Continued...

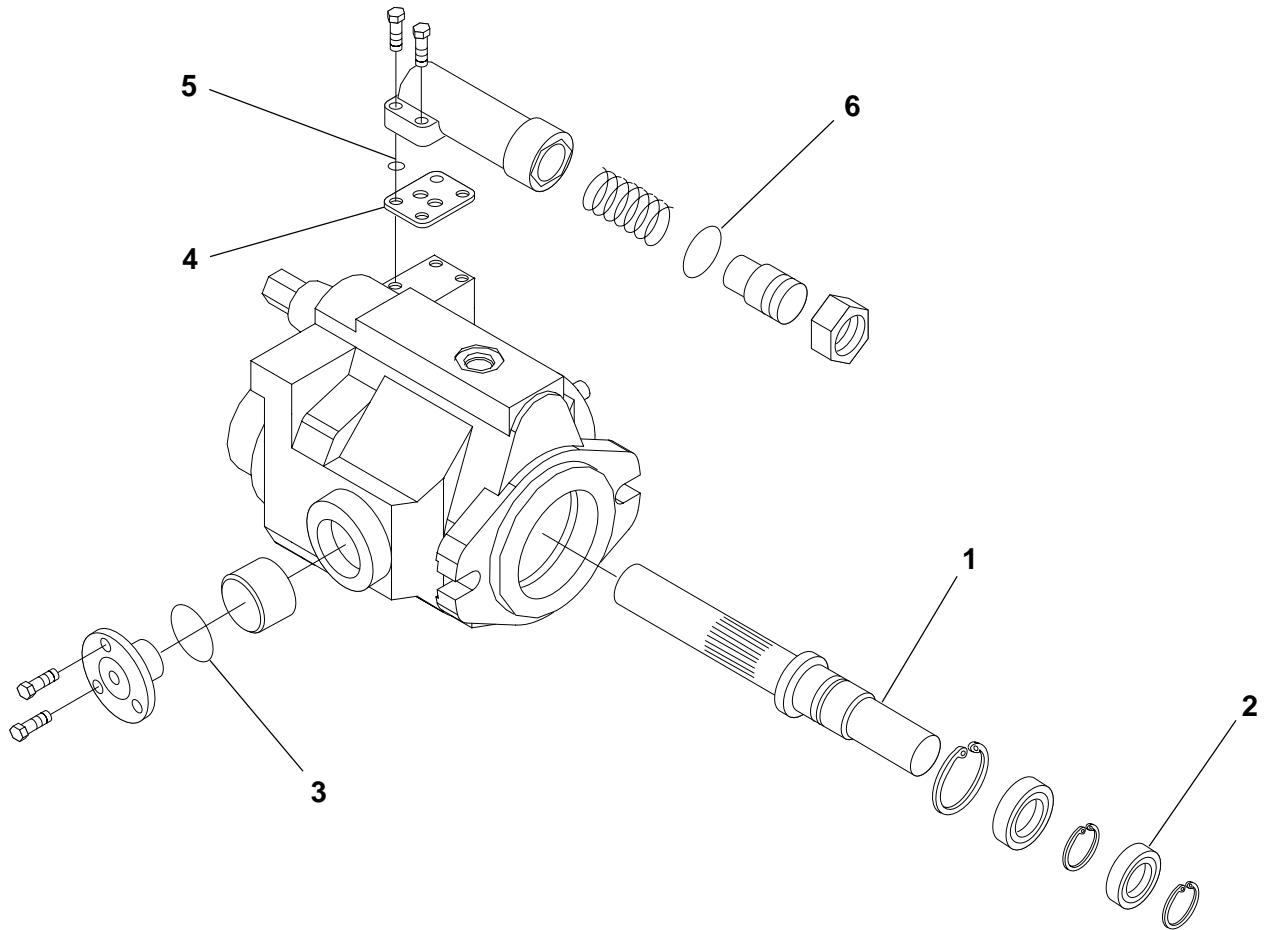
Parts List No. 5210DBJ

Ref. No.	Part Number	Description	Quantity
4-12	45191-504-33-01	NIPPLE, 3/8" Q.D.	1
4-13	45191-504-33-04	CAP, DUST	1
4-15	7430-275	ELBOW, #6 O-RING X 3/8" JIC 90°	1
4-16	7430-432	CONNECTOR, 3/8" SAE X 3/8" JIC	1
4-17	45191-504-33-01	NIPPLE, 3/8" Q.D.	1
4-18	45191-504-33-04	CAP, DUST	1
4-20	45720-776-03	ADAPTER, 3/8" SAE X 3/8" JIC	1
4-21	7430-383	ELBOW, 3/8" SWIVEL NUT	1
4-22	7430-432	CONNECTOR, 3/8" SAE X 3/8" JIC	1
4-23	45191-504-33-01	NIPPLE, 3/8" O.D.	1
4-24	45191-504-33-04	CAP, DUST	1
4-29	9704-376-30	HARNESS (NOT SHOWN ON ILLUSTRATION)	1
4-30	9704-376-18	HARNESS (NOT SHOWN ON ILLUSTRATION)	1



**Return to Table  
of Contents Page**

**Auxiliary Pump**



Ref. No.	Part Number	Description	Quantity
	45080-002-10	Auxiliary Pump - Complete	
1	45080-002-24-03	Spline, 9-Tooth	1
2	45080-002-10-03	Seal, Shaft	1
3	Consult Factory	O-Ring	2
	Consult Factory	Control Kit - PC (3000 PSI)	
4	45080-002-10-02	Gasket	1
5	45080-002-10-01	O-Ring	1
6	Consult Factory	O-Ring	1
7	45080-002-10-04	Seal Kit - Complete	1

**NOTE:** Only replacement parts identified. For further parts breakdown please consult factory.





## Noise Baffles & Acoustic Kit

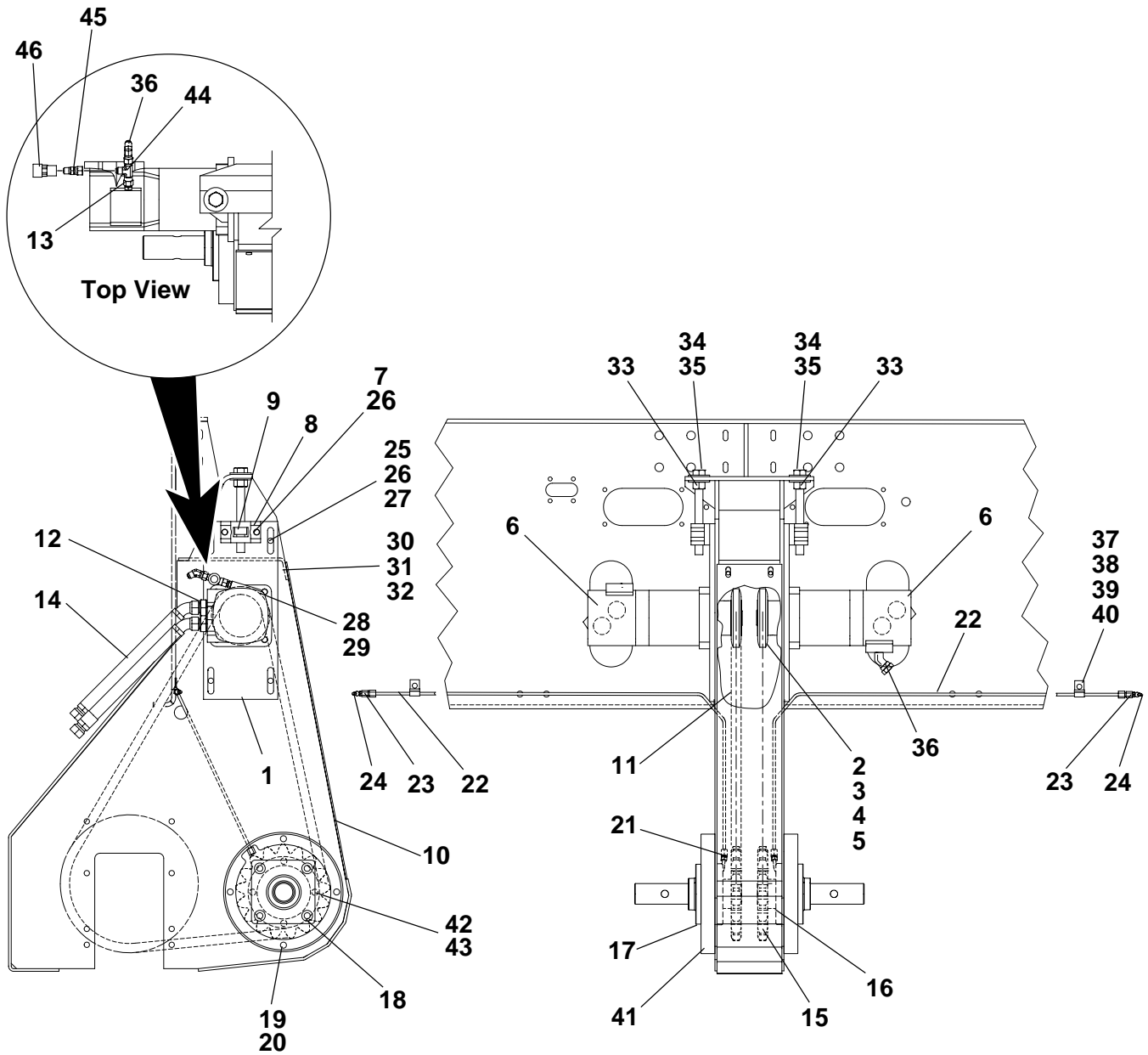
Parts List No 5210BCE

Ref. No.	Part Number	Description	Quantity
1	9704-951-96	Baffle, Noise - Right Hand Hood	1
2	7014-018	Washer, 3/8" Flat	6
3	7014-003	Lockwasher, 3/8"	2
4	7012-025	Hex Nut, 3/8"	2
5	7383-042	Capscrew, 3/8" x 2"	2
6	9704-952-21	Baffle, Noise - Left Hand Side	1
7	9704-952-61	Baffle, Noise - Right Hand Side	1
8	7014-022	Washer, 5/8" Flat	9
9	7014-007	Lockwasher, 5/8"	5
10	7012-029	Hex Nut, 5/8"	5
11	7383-100	Capscrew, 5/8" x 1-1/2"	2
12	7383-101	Capscrew, 5/8" x 1-3/4"	3
13	9704-952-39	Angle, Mounting	1
14	7072-101	Carriage Bolt, 1/2" x 1-1/4"	1
15	7014-005	Lockwasher, 1/2"	1
16	7012-027	Hex Nut, 1/2"	1
17	9704-506-10	Kit, Acoustic Material - Complete	1

NOTE: No illustration is associated with this parts listing.  
Consult Product Support department for additional information.



**Conveyor and Auger Drive**

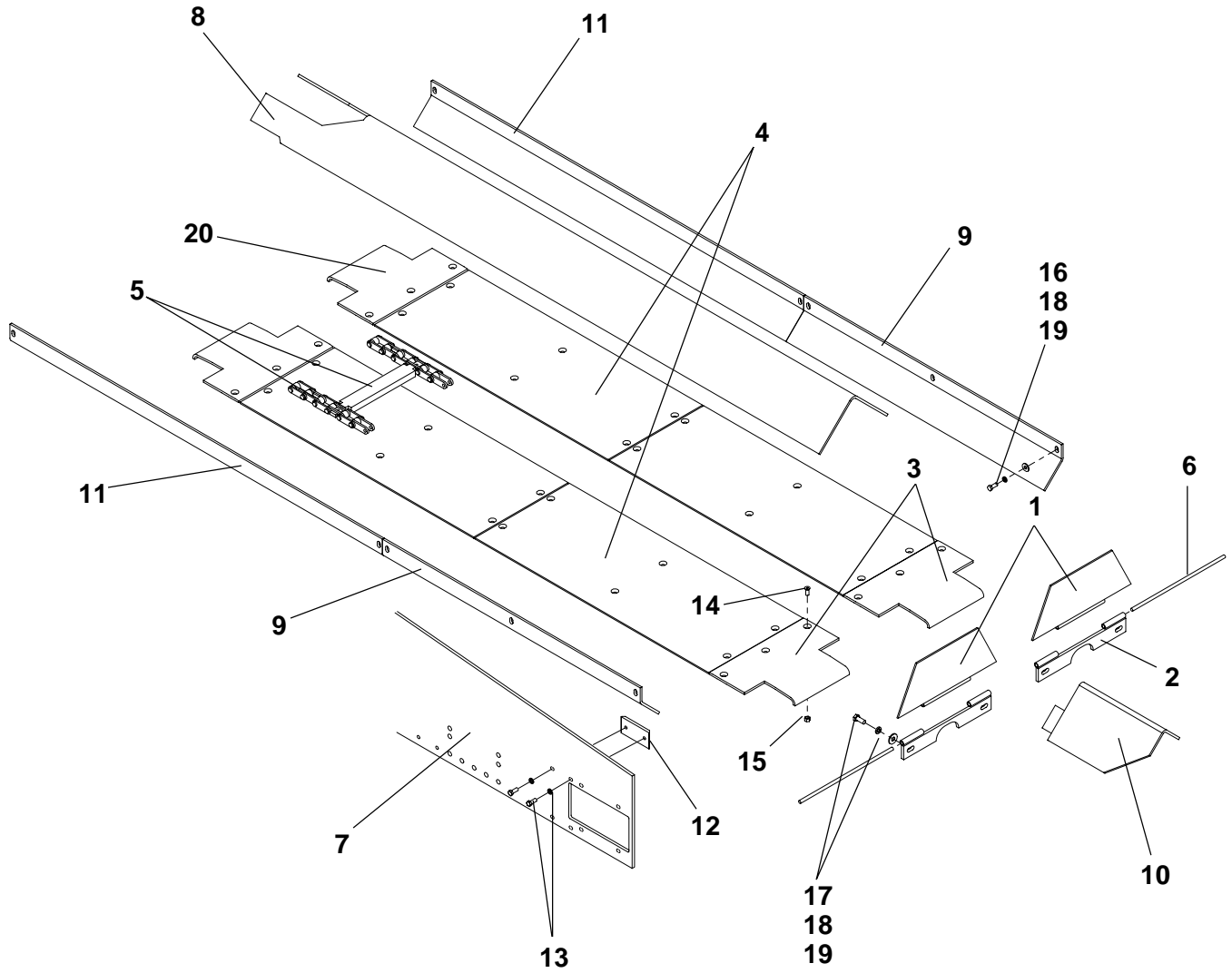


## Conveyor and Auger Drive

 Parts List No. 5210DEW

Ref. No.	Part Number	Description	Quantity
1	9704-009-53	Plate, Conveyor Drive	2
2	1388A10L	Sprocket	2
3	40802-001-50	Key	2
4	7131-076	Setscrew, 3/8" NC x 1/2"	2
5	7131-078	Setscrew, 3/8" NC x 3/4"	2
6	45080-004-81	Motor, Hydraulic (Consult Factory for Seal Kit)	2
7	7383-068	Capscrew, 1/2" NC x 1"	4
8	1206B10	Adjusting Lug, Bearing	2
9	7012-008	Square Nut, 3/4" NC	2
10	9704-154-42	Cover, Front	1
11	9704-151-07	Chain	2
12	7430-264	Connector, 1-5/16" x 3/4" - with O-Ring	4
	45259-508-17	O-Ring, 1-5/16" (For above fitting)	As Req
13	7430-416	Connector, 7/16" x 3/8"	2
14	7663-062-34	Hose Assembly, <i>Conveyor</i>	4
15	9704-251-78	Shaft, Auger Drive	2
16	45134-010-41	Flange Bearing, 1-15/16" Bore	2
17	9704-251-74	Plate, Seal - Auger Bearing	2
18	7389-045	Capscrew, 1/2" NC x 1-1/4" - Sockethead	8
19	7025-022	Capscrew, 1/2" NC x 1-1/2" - Sockethead	8
20	7014-005	Lockwasher, 1/2"	8
21	9704-155-84	Tube, Grease - Short	2
22	9704-205-65	Tube Assembly	2
23	7430-008	Connector, 1/8" x 1/4"	2
24	7051-002	Fitting, Grease 1/8"	2
25	7383-069	Capscrew, 1/2" NC x 1-1/4"	8
26	7014-005	Lockwasher, 1/2"	12
27	7014-020	Washer, 1/2"	8
28	7383-071	Capscrew, 1/2" NC x 1-3/4"	8
29	7014-005	Lockwasher, 1/2"	8
30	7383-036	Capscrew, 3/8" NC x 3/4"	2
31	7014-018	Washer, 3/8"	2
32	7014-003	Lockwasher, 3/8"	2
33	7012-030	Hex Nut, 3/4" NC	2
34	7153-023	Capscrew, Adjusting Bolt	2
35	7014-023	Washer, 3/4"	4
36	7430-426	Elbow, 45° 3/8" Swivel	2
37	46185-001-13	Clamp, Hose - 1/4"	2
38	7383-038	Capscrew, 3/8" NC x 1"	2
39	7014-003	Lockwasher, 3/8"	2
40	7012-025	Hex Nut, 3/8" NC	2
41	9704-253-51	Plate, Inner Bearing Adapter	2
42	7383-056	Capscrew, 7/16" x 1-3/4"	8
43	7014-005	Lockwasher, 7/16"	8
44	7430-344	Tee, 3/8" Swivel Nut	1
45	7430-423	Connector, 1/4" x 3/8"	1
46	45191-504-14-01	Coupler, 1/4" QD	1

**Liners & Chain  
Slat Conveyor**

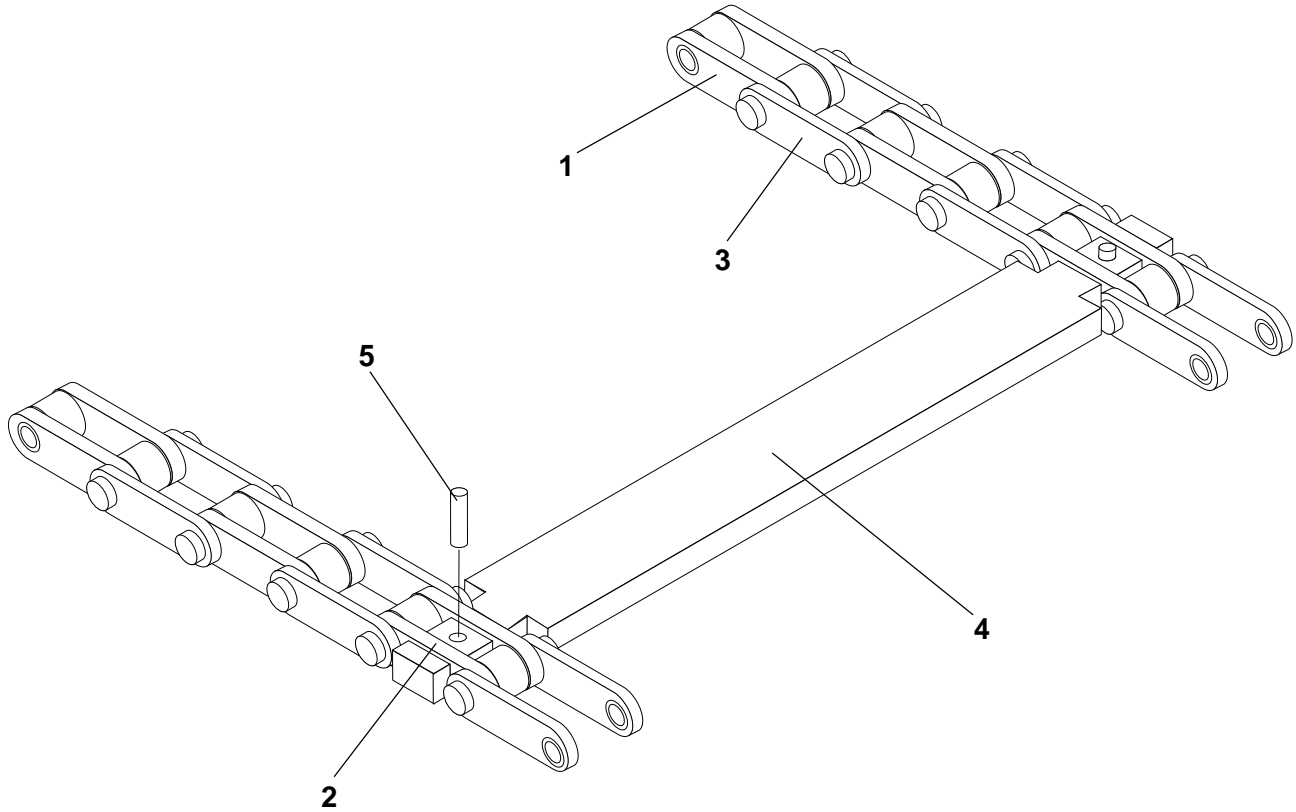


## Liners & Chain Slat Conveyor

Ref. No.	Part Number	Description	Quantity
1	9704-205-07	Cover, Front Slat Shaft	2
2	9704-205-09	Hinge, Stationary Base	2
3	9704-205-14	Liner, Curved End - <i>Front</i>	2
4	9704-205-13	Liner, Flat	4
5	Reference	Slat Conveyor Chain - <i>See Form #22105, This Section</i>	
6	41003-020	Shaft, Hinge	2
7	Reference	<i>See Main Frame Parts, Section 3</i>	
8	9704-205-73	Skirt, Center	1
9	9704-205-12	Skirt, Outer Front	2
10	9704-205-39	Skirt, Center Front Hinged	1
11	9704-206-21	Skirt, Outer Rear	2
12	9704-205-32	Flat, Chain Buffer	8
13	7383-070	Capscrew, 1/2" NC x 1-1/2"	16
	7014-005	Lockwasher, 1/2"	16
	7014-020	Washer, 1/2" Flat	16
14	7389-045	Capscrew, 1/2" x 1-1/4" Sockethead	36
15	45890-102-28	Locknut, 1/2"	36
16	7383-099	Capscrew, 5/8" NC x 1-1/4"	10
17	7383-100	Capscrew, 5/8" NC x 1-1/2"	4
18	7014-022	Washer, 5/8" Flat	14
19	7014-007	Lockwasher, 5/8"	14
20	9704-205-91	Liner, Curved End - <i>Rear</i>	2



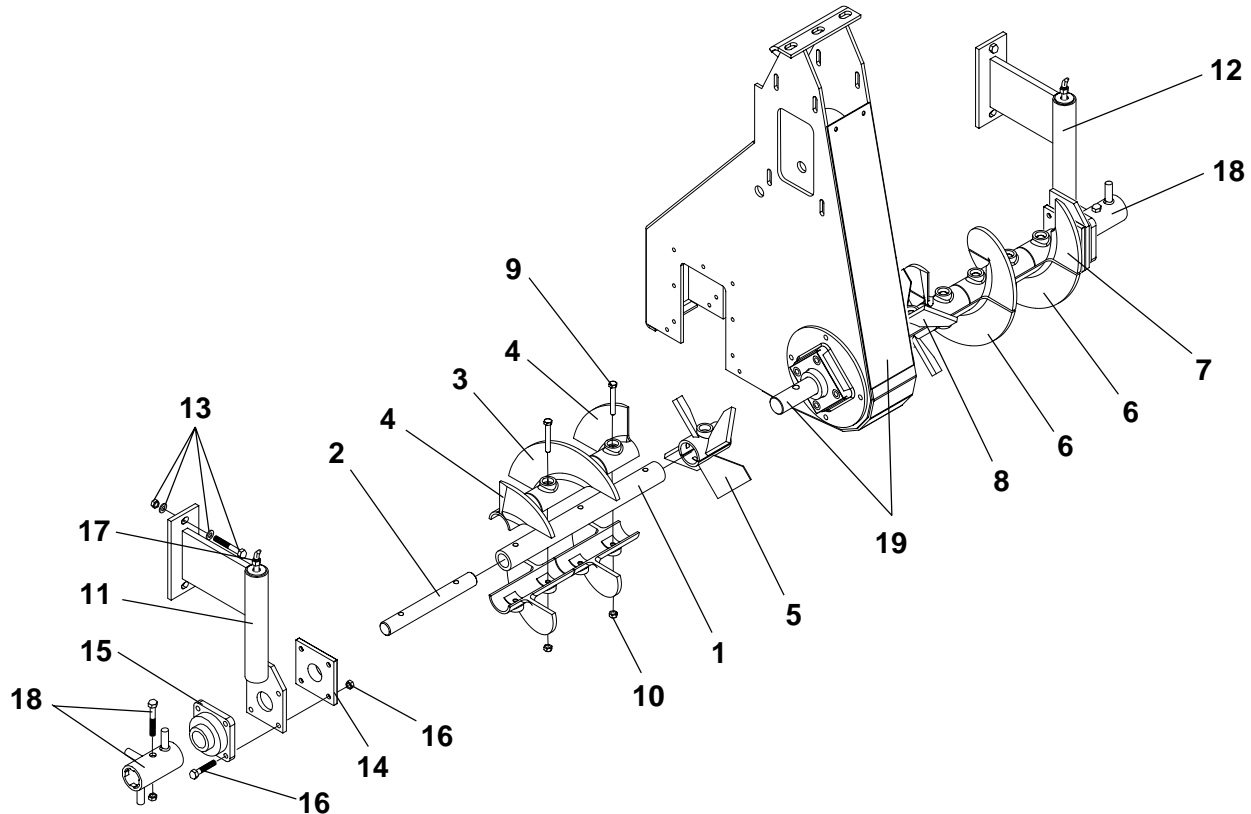
**Slat Conveyor Chain**  
**CR351 & CR361 Pavers**



Ref. No.	Part Number	Description	Quantity
	9704-206-35	Chain Assembly - Complete	4
1	Consult Factory	Link, Roller - Plain (Includes Bushing & Roller)	As Req
2	Consult Factory	Link, Roller - Slotted (Includes Bushing & Roller)	As Req
3	Consult Factory	Link, Roller - Attaching (Includes Side Bars & Pins)	As Req
4	4430-028-06	Bar, Slat Conveyor	34
5	7238-125	Roll Pin, 5/16" x 1"	68



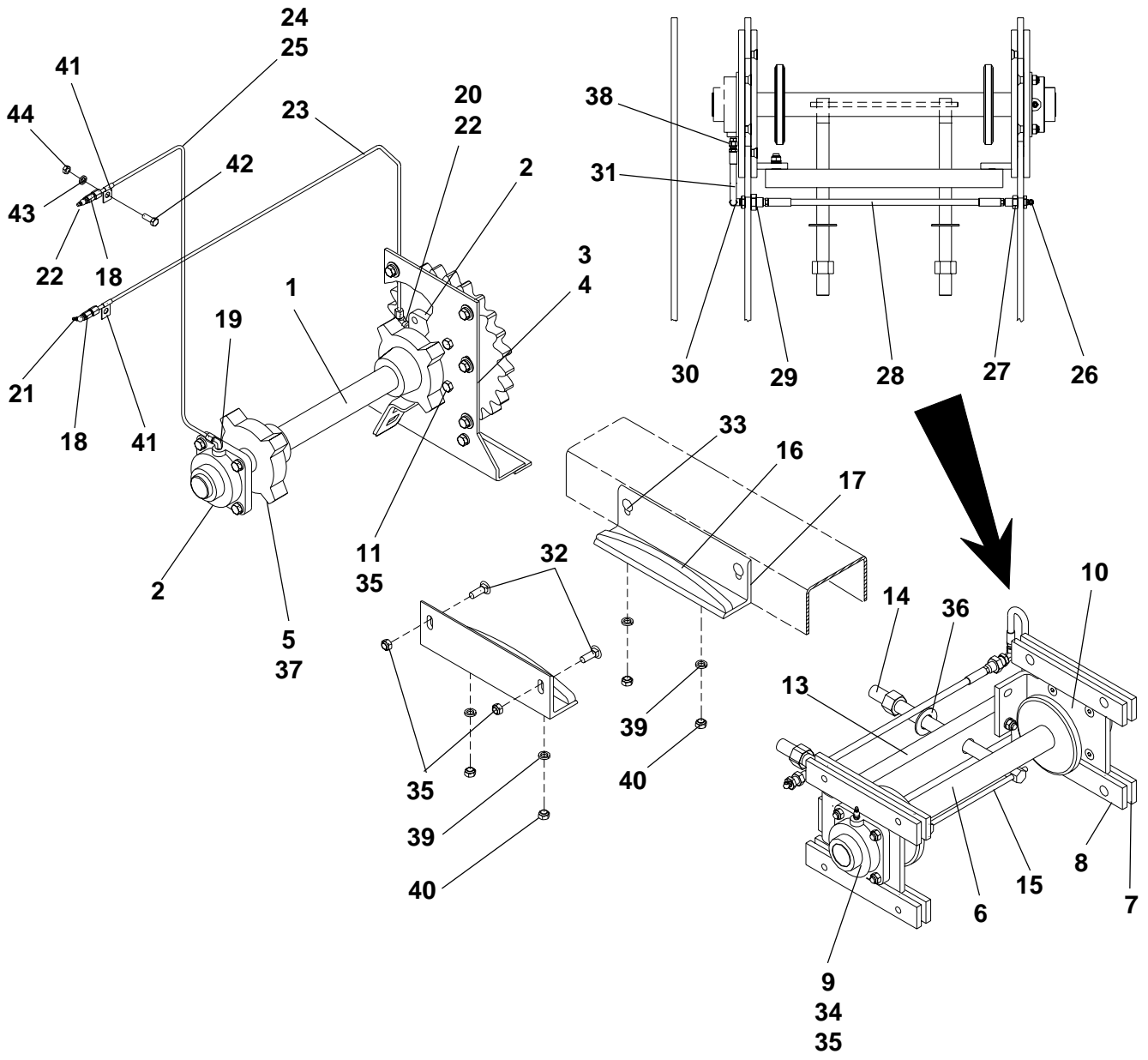
**Screw Conveyor Mounting**



Ref. No.	Part Number	Description	Quantity
1	9704-251-75	Tube, Auger Shaft	2
2	9700-040	Shaft, Screw Conveyor	2
3	9704-251-68	Screw, 14" Left Half Section	3
4	9704-251-70	Screw, 14" Left Quarter Section	2
5	9704-251-97	Paddle, Left Reversing / Split	2
6	9704-251-67	Screw, 14" Right Half Section	3
7	9704-251-69	Screw, 14" Right Quarter Section	2
8	9704-251-98	Paddle, Right Reversing / Split	2
9	7383-112	Capscrew, 5/8" x 4-1/2"	10
10	45890-102-29	Locknut, 5/8"	10
11	9704-251-55	Hanger, Bearing - Left Hand	1
12	9704-251-56	Hanger, Bearing - Right Hand	1
13	7072-202	Carriage Bolt, 5/8" x 2-1/4"	4
	7465-002	Washer, 5/8" Hardened Flat	4
	7014-007	Lockwasher, 5/8"	4
	7012-029	Hex Nut, 5/8"	4
14	9704-251-74	Plate, Seal - Auger Bearing	2
15	45134-010-40	Flange Bearing, 1-15/16" Bore	2
16	7389-050	Capscrew, 1/2" x 2-1/2" Sockethead	8
	45890-102-28	Locknut, 1/2"	8
	40500-015-00-01	Pipe, 1/8" x 15"	2
17	7084-001	Coupling, 1/8"	2
	7051-002	Grease Fitting, 1/8" 45°	2
	9704-251-62	Agitator	2
	7383-109	Capscrew, 5/8" x 3-3/4"	2
18	45890-102-29	Locknut, 5/8"	2
	Reference	See Conveyor & Auger Drive - Section 6	-



**Slat Conveyor**



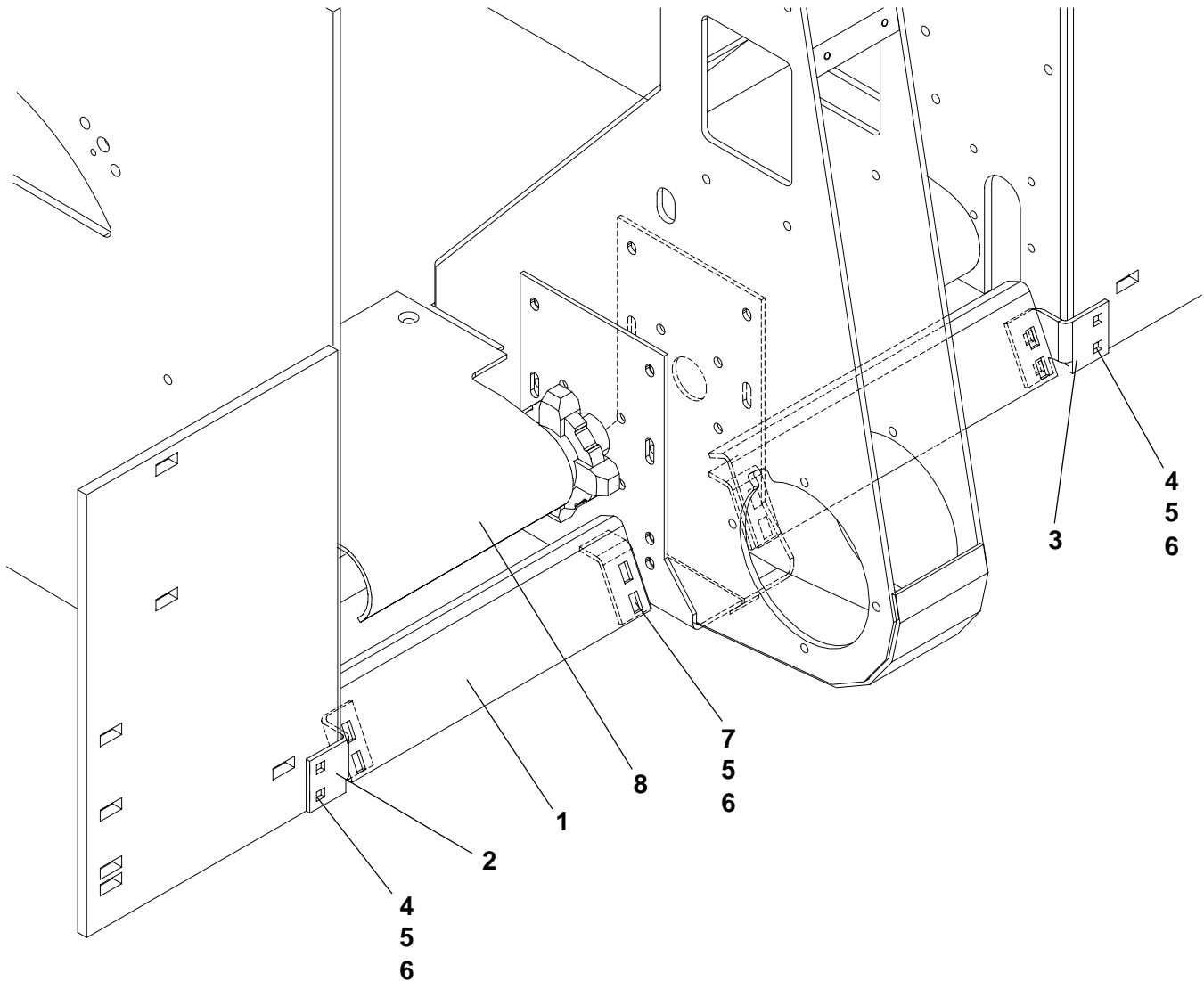
**Right Hand Assembly Shown.  
Left Hand Equal & Opposite.**

**Slat Conveyor**Parts List No. 5210EAM

Ref. No.	Part Number	Description	Quantity	
1	9704-251-41	Shaft, Conveyor Drive	2	
2	FO115FGA	Flange Bearing, 1-15/16" - See Bearing Form #1001	4	
3	9704-155-90	Plate, Bearing - Right Hand	1	
4	9704-155-89	Plate, Bearing - Left Hand (Not Shown)	1	
5	4430-027-01	Sprocket, Drive	4	
6	9704-205-60	Shaft, Idler	2	
7	9704-205-26	Guide, Conveyor Take-Up	8	
8	9704-205-27	Guide, Conveyor Take-Up	8	
9	FO115FGA	Flange Bearing, 1-15/16" - See Bearing Form #1001	4	
10	9704-205-18	Plate, Bearing Slide	4	
11	7383-070	Capscrew, 1/2" NC x 1-1/2"	8	
12	Reference Only	See Liners & Chain - Elsewhere in this Manual	-	
13	9704-205-20	Base, Slide	2	
14	9704-155-61	Bolt, Adjusting	4	
15	9704-205-19	Handle, Tighten / Lock	2	
16	9704-206-24	Skate, Slat Conveyor Chain (Includes Mounting Studs)	4	
17	9704-204-58	Skate Mounting Angle (May be supplied with Main Frame Kit)	4	
18	7430-008	Connector, 1/8" x 1/4" JIC	4	
19	7430-016	Connector, 1/8" x 1/4" JIC	2	
20	7430-084	Elbow, 90° 1/8" x 1/4" JIC	2	
21	7051-002	Grease Fitting, 45° 1/8"	2	
22	40500-003-00-01	Pipe, 1/8"	2	
23	9704-205-65	Tube Assembly	2	
24	9704-205-21	Tube Assembly, Left Outer Grease (Not Shown)	1	
25	9704-205-22	Tube Assembly, Right Outer Grease	1	
26	7051-004	Grease Fitting	2	
27	45720-001-11	Coupling, 1/8"	2	
28	7650-021-11-01	Hose Assembly	2	
29	45720-001-07	Coupling, 1/4" x 1-1/2"	2	
30	7430-017	Elbow, 90° 1/4"	2	
31	7650-014-33	Hose Assembly	2	
32	7445-025	Plow Bolt, 1/2" NC x 1-1/2"	4	
33	7445-010	Plow Bolt, 1/2" NC x 1-1/4"	4	
34	7445-001	Plow Bolt, 1/2" x 1-3/4"	As Req	
35	45890-102-28	Locknut, 1/2" NC	32	
36	7097-018	Washer, Flat 1-1/8"	4	
37	{ 40803-002-25	Key, 1/2" Square	4	
		7131-076	Setscrew, 3/8" NC x 1/2"	4
		7131-077	Setscrew, 3/8" NC x 5/8"	4
38	7430-001	Connector, 1/8" x 1/4" JIC	2	
39	7012-027	Hex Nut, 1/2" NC	8	
40	7014-005	Washer, 1/2" Lock	8	
41	46185-001-13	Hose Clamp, 1/4"	4	
42	7383-038	Capscrew, 3/8" NC x 1"	2	
43	7014-003	Washer, 3/8" Lock	2	
44	7012-025	Hex Nut, 3/8" NC	2	

Note: Items 6, 7, 8, 10 and 13 are included in Slat Idler Kit, Part No: 9709-200-03.

**Auger Chutes - Slat Conveyor**  
Parts List No. 5210EAM



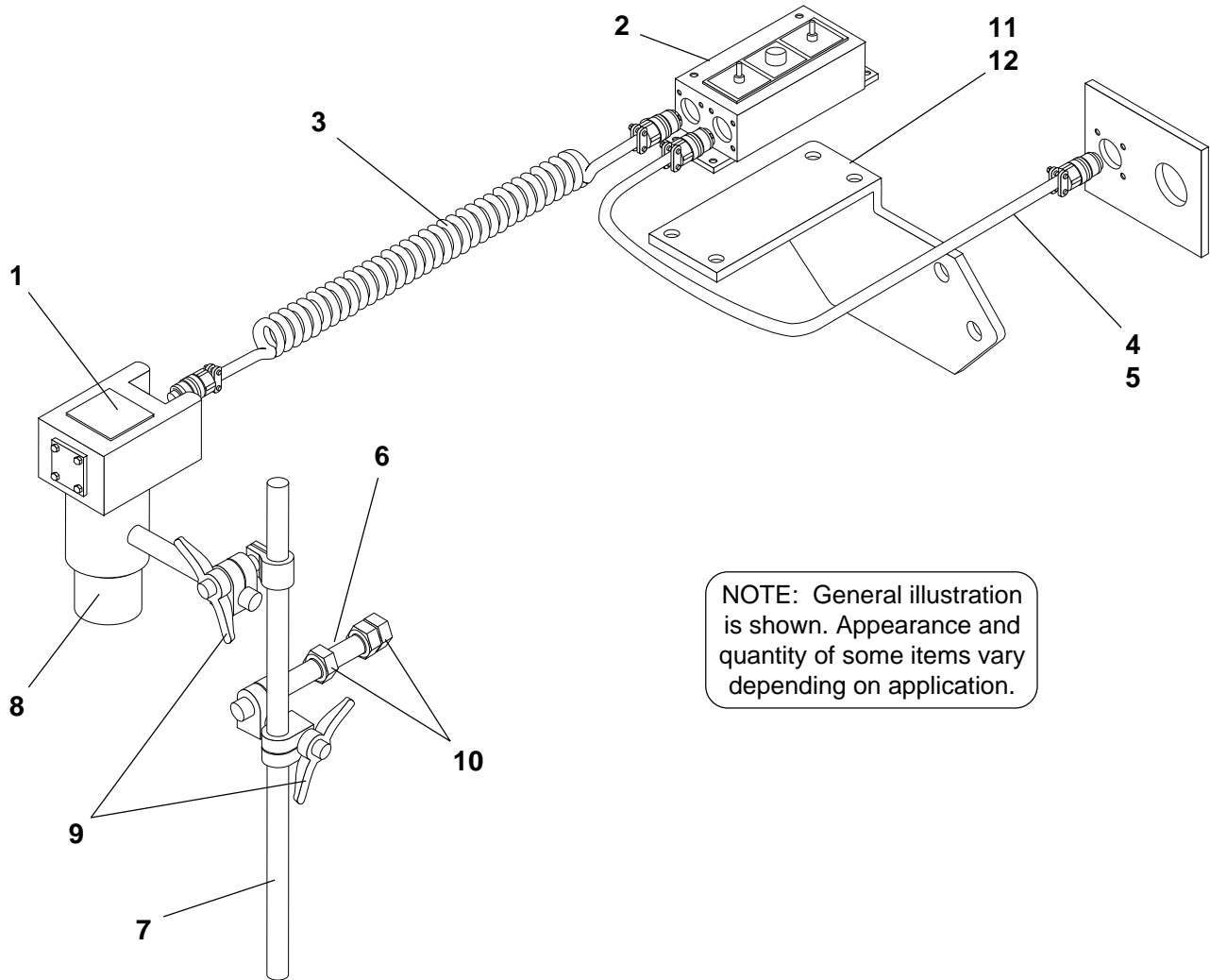
Ref. No.	Part Number	Description	Quantity
1	9704-205-88	Plate, Sloped	2
2	9704-205-89	Bracket, Left Hand	1
3	9704-205-90	Bracket, Right Hand	1
4	7072-102	Carriage Bolt, 1/2" NC x 1-1/2"	4
5	7014-020	Washer, 1/2"	12
6	45890-102-28	Locknut, 1/2" NC	12
7	7072-101	Carriage Bolt, 1/2" x 1-1/4"	8
8	Reference	See <i>Liners &amp; Chain</i> , This Section	-

**Note:** Items 1, 2 and 3 are included in Deflector Kit, Part No: 9709-200-02.





**Sonic Feed Control Mounting**  
Parts List No. 05210FEN

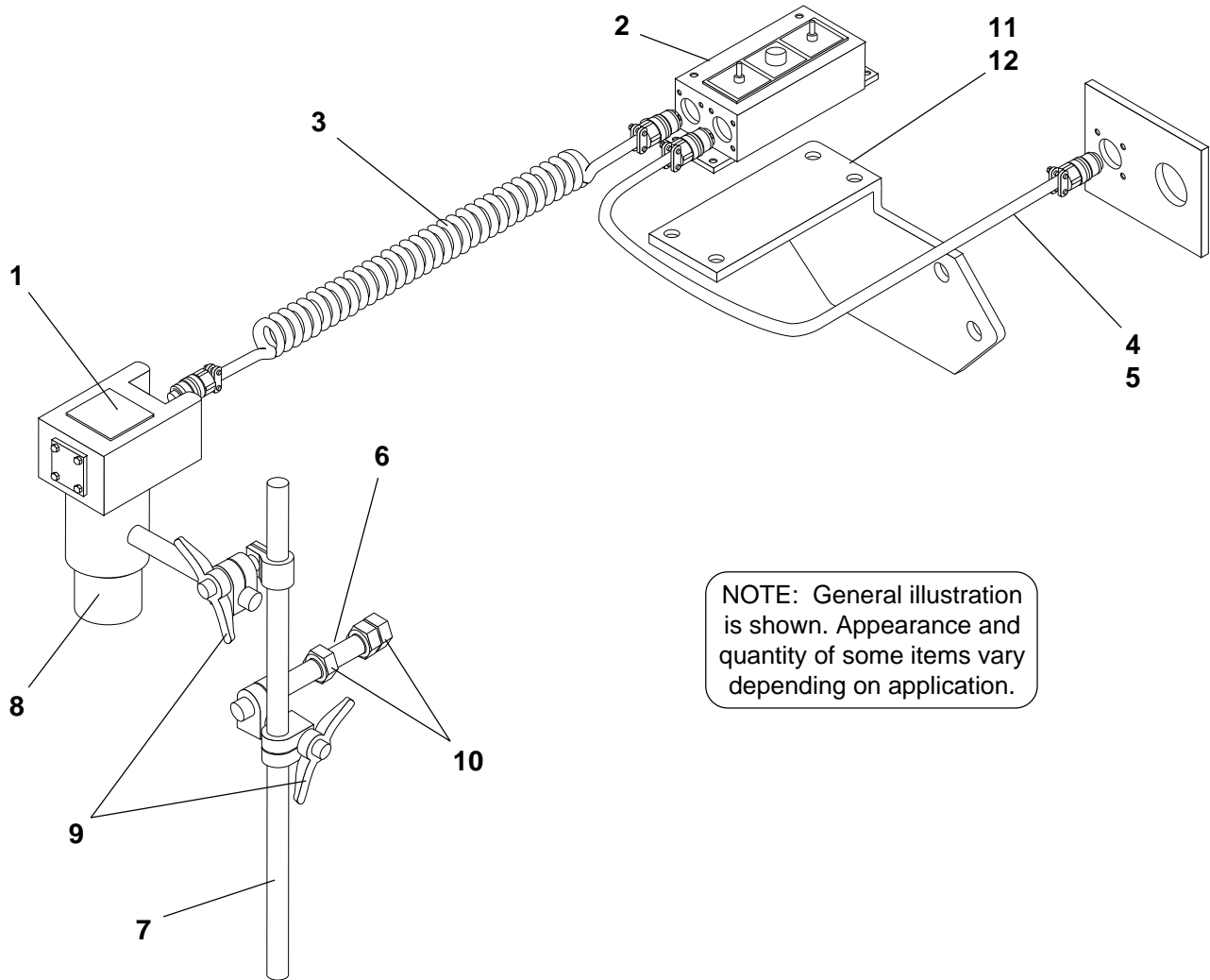


NOTE: General illustration is shown. Appearance and quantity of some items vary depending on application.

Ref. No.	Part Number	Description	Quantity
1	46061-100-36	Sensor, Ultrasonic - 6 Pin	2
2	9709-600-11	Kit, Feed Controller - Complete	1
	46061-100-34	Controller, SX Feeder - Left Hand	1
	46061-100-35	Controller, SX Feeder - Right Hand	1
3	46061-100-23	Cable, Coiled	2
4	9704-410-93	Cable, Power - Left Hand	1
5	9704-410-94	Cable, Power - Right Hand	1
6	9704-452-62	Stud, Gate Mounting	2
7	9704-452-63	Rod, Extension	2
8	9704-452-64	Mount, Sensor	2
9	46185-001-20	Clamp, Adjustable Swivel	4
10	7012-027	Hex Nut, 1/2" NC	4
11	9704-452-76	Mount, Sensor - Right Hand	1
12	9704-452-77	Mount, Sensor - Left Hand	1



**Sonic Feed Control Mounting**  
Parts List No. 05210FEN

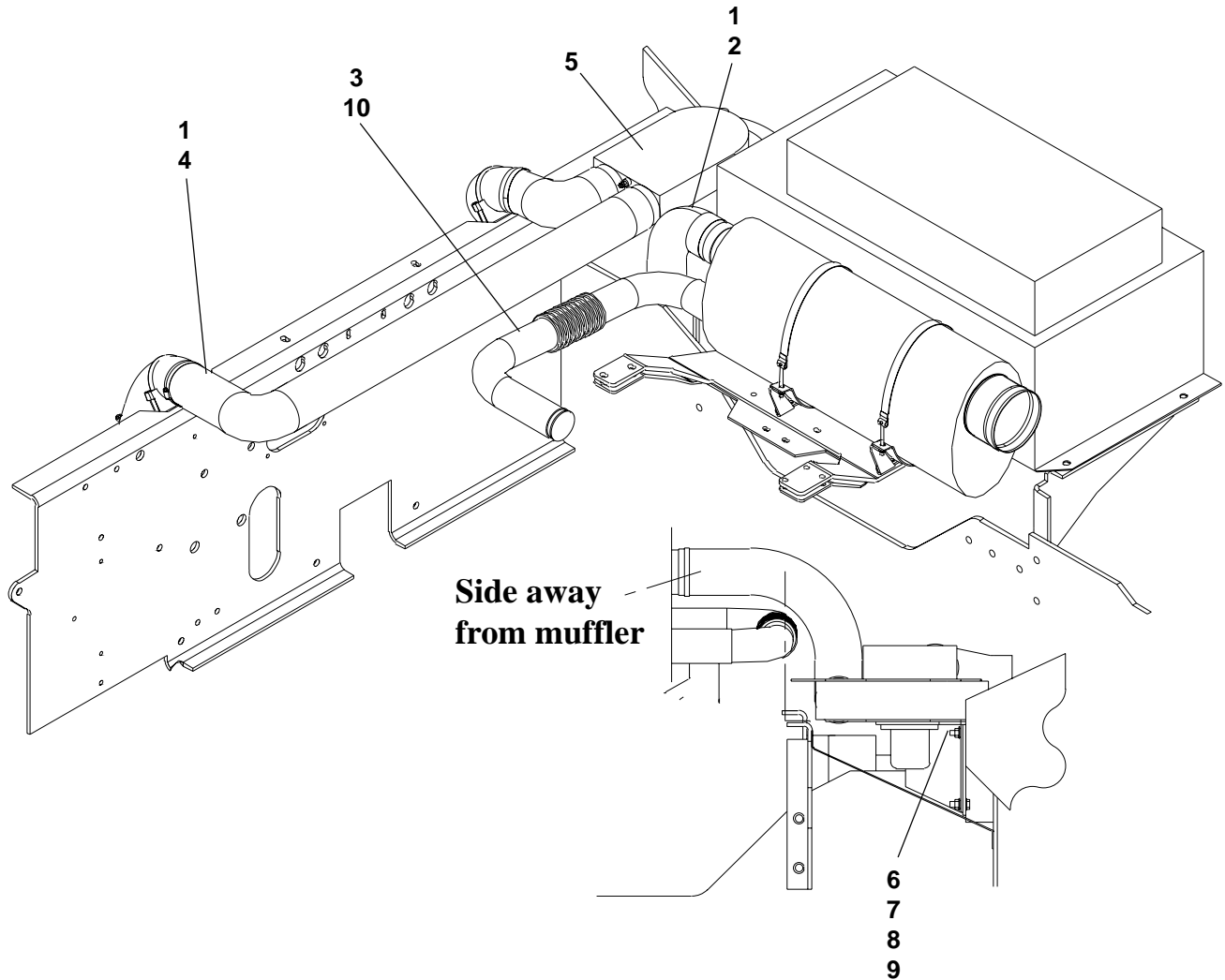


NOTE: General illustration is shown. Appearance and quantity of some items vary depending on application.

Ref. No.	Part Number	Description	Quantity
1	46061-100-36	Sensor, Ultrasonic - 6 Pin	2
2	9709-600-11	Kit, Feed Controller - Complete	1
	46061-100-34	Controller, SX Feeder - Left Hand	1
	46061-100-35	Controller, SX Feeder - Right Hand	1
3	46061-100-23	Cable, Coiled	2
4	9704-410-93	Cable, Power - Left Hand	1
5	9704-410-94	Cable, Power - Right Hand	1
6	9704-452-62	Stud, Gate Mounting	2
7	9704-452-63	Rod, Extension	2
8	9704-452-64	Mount, Sensor	2
9	46185-001-20	Clamp, Adjustable Swivel	4
10	7012-027	Hex Nut, 1/2" NC	4
11	9704-452-76	Mount, Sensor - Right Hand	1
12	9704-452-77	Mount, Sensor - Left Hand	1



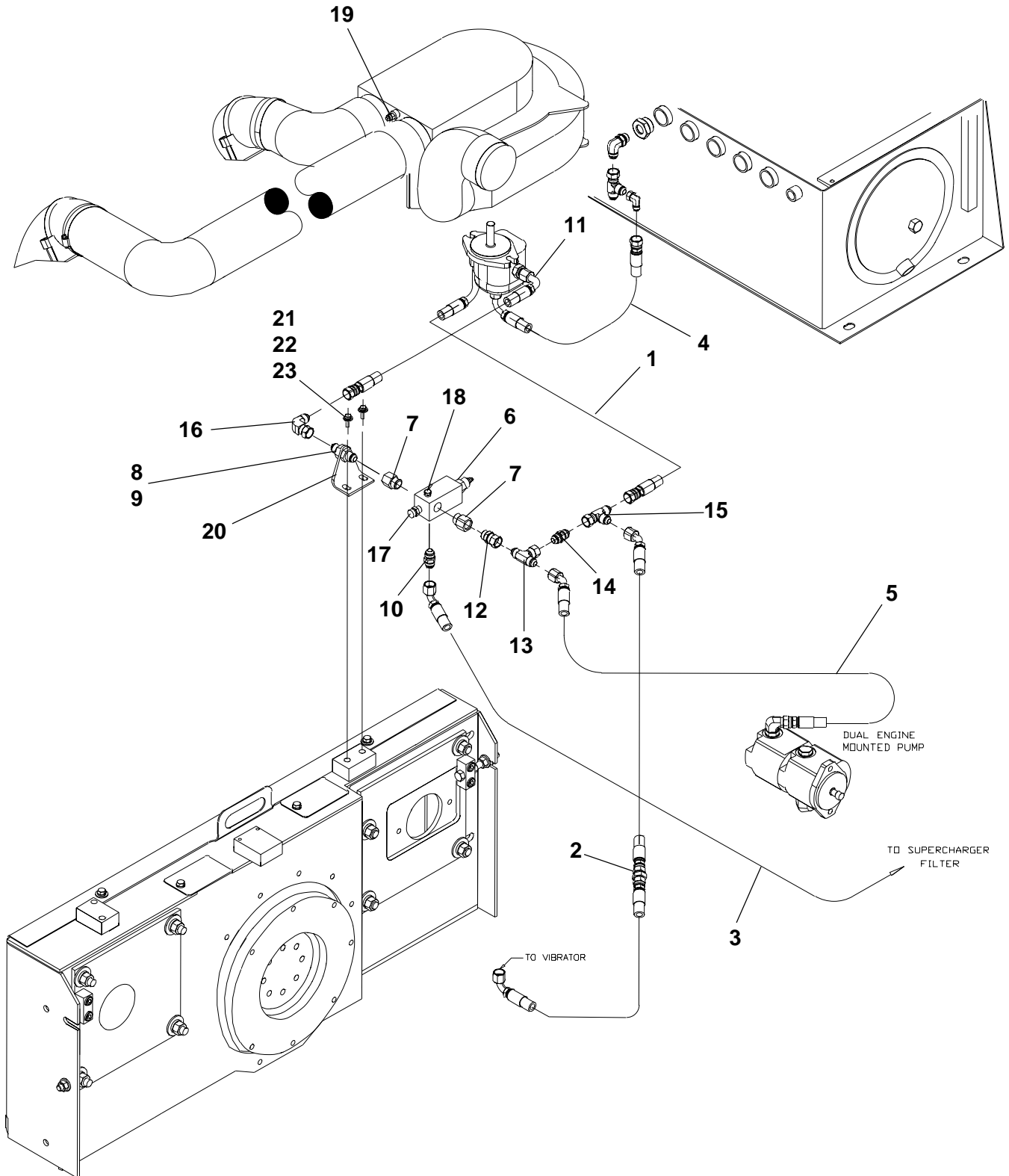
**Fume Controls & Fan Parts**  
Parts List No. 5210HFM



Ref. No.	Part Number	Description	Quantity
1	45335-003-15	Ducting, 4" Flexible	14ft
2	45191-004-29	Clamp, 4" Max Hose	4
3	45263-001-03	Insulation, 3" Wide Wrap	12ft
4	45191-004-29	Clamp, 4" Hose	2
5	9704-320-97	Fan, Fume Collection - See Form #23078, This Section	1
6	7072-102	Carriage Bolt, 1/2" NC x 1-1/2"	3
7	7014-020	Washer, 1/2"	6
8	7014-005	Lockwasher, 1/2"	3
9	7012-027	Hex Nut, 1/2" NC	3
10	45345-001-15	Tape, Aluminum	18ft



**Hydraulic Plumbing - Fume Recovery System**  
Parts List No. 5210HFM





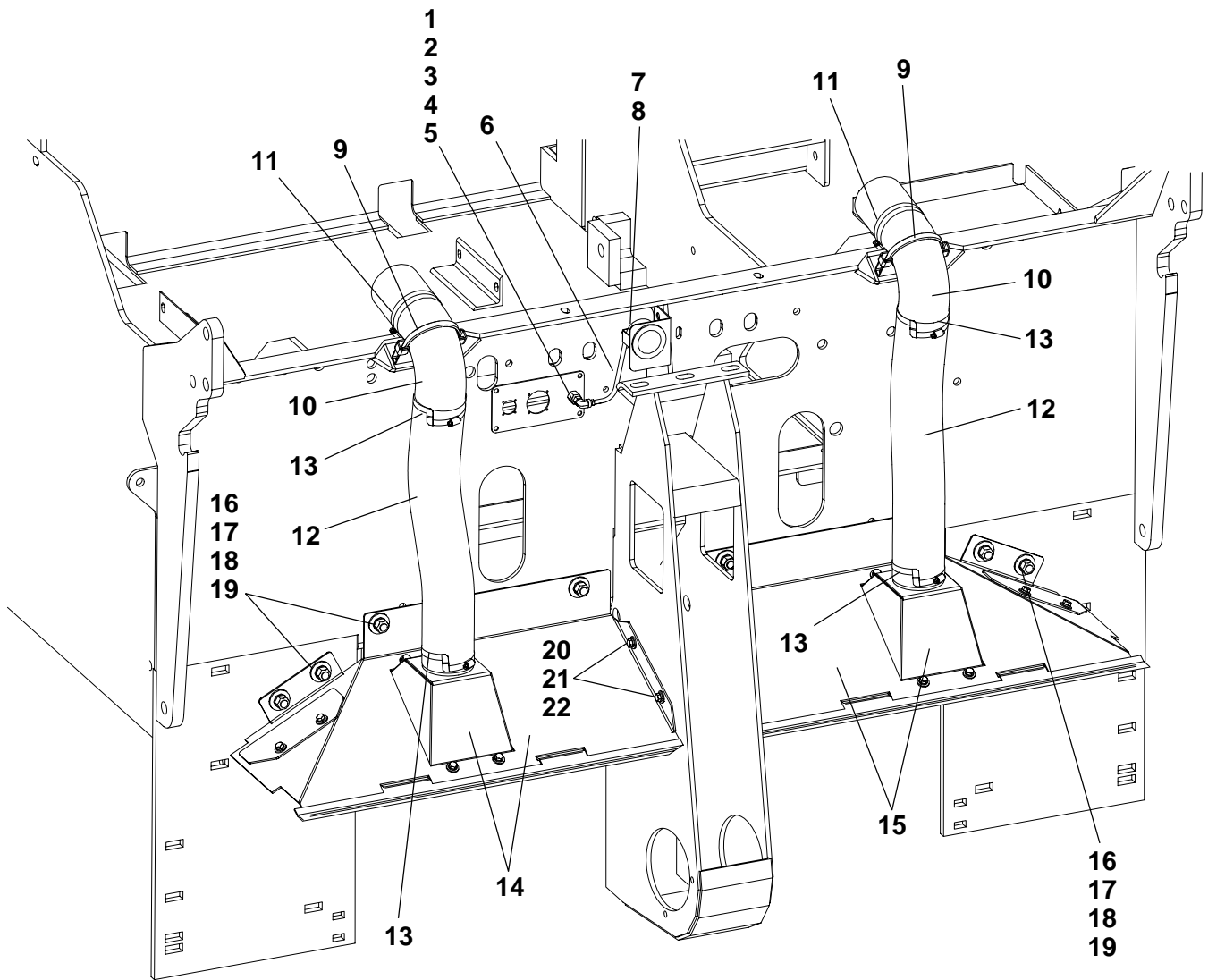
## Hydraulic Plumbing - Fume Recovery System

Parts List No. 5210HFM

Ref. No.	Part Number	Description	Quantity
1	7652-032-38	Hose Assembly	1
2	7430-385	Union, 1/2"	1
3	7652-130-34	Hose Assembly	1
4	7651-102-35-01	Hose Assembly	1
5	7652-030-34	Hose Assembly	2
6	45252-009-19	Valve	1
7	45720-775-34	Reducer, 5/8" to 1/2"	3
8	7430-367	Union, 1/2" Bulkhead	1
9	45259-508-14	O-Ring, 1/2"	1
10	7430-385	Union, 1/2"	1
11	7652-086-35	Hose Assembly	1
12	7430-401	Connector, 1/2" x 1/2"	1
13	7430-356	Tee, 1/2" Swivel Nut - Male Run	1
14	45252-010-11	Valve, 1/2" Check	1
15	7430-345	Tee, 1/2" Swivel Nut - Male Branch	1
16	7430-405	Elbow, 90° 1/2" Swivel Nut	1
17	45080-527-06	Fitting, 1/4" Test	1
18	45720-770-60	Plug, 1/4" Pipe	1
19	7650-056-33-01	Hose Assembly	1
20	9704-319-74	Bracket, Bulkhead Fitting	1
21	7383-022	Capscrew, 5/16" NC x 1"	2
22	7014-002	Washer, 5/16" Lock	2
23	7012-024	Hex Nut, 5/16" NC	2



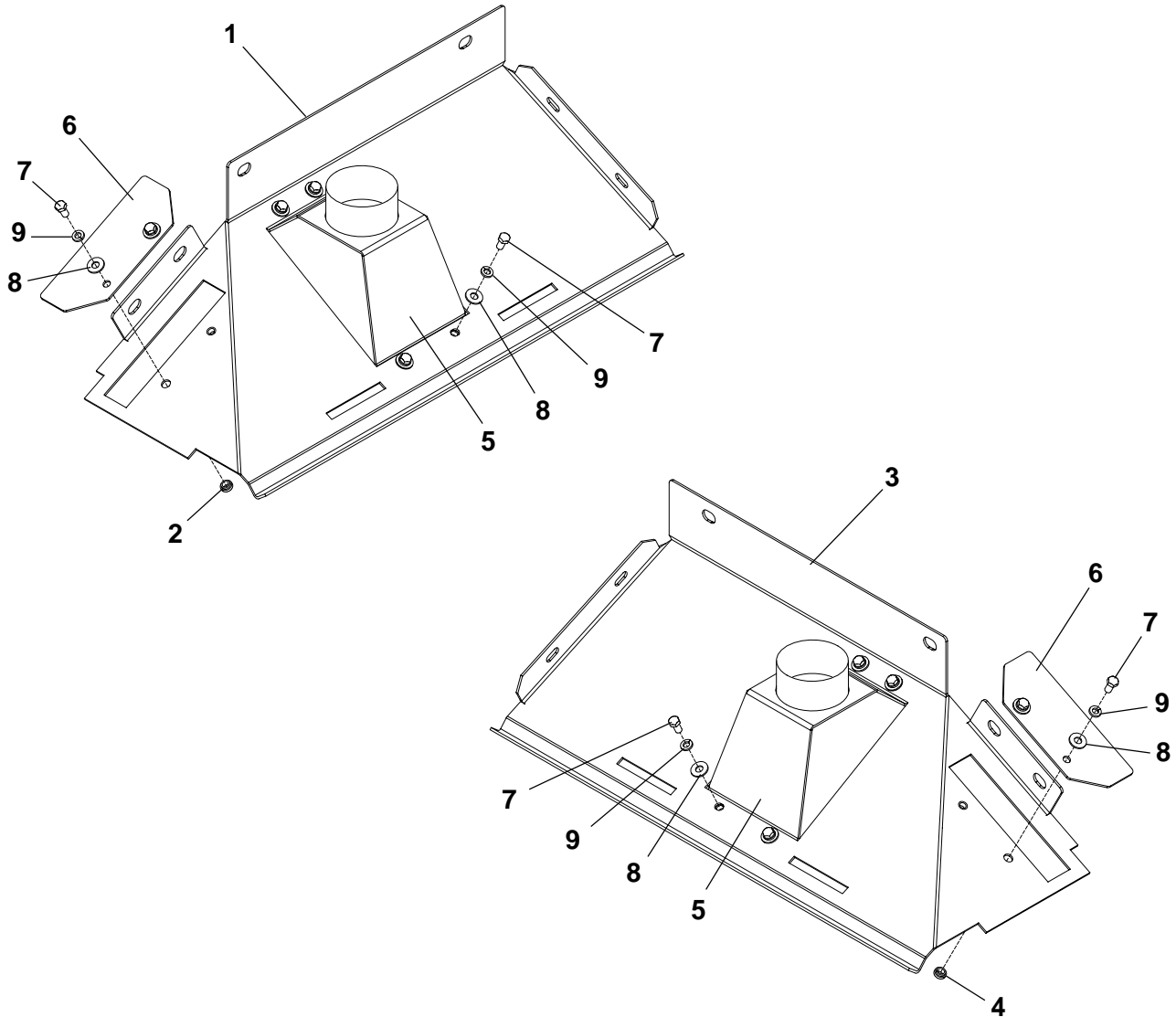
### Fume Recovery System



## Fume Recovery System

Ref. No.	Part Number	Description	Quantity
1	7430-335	Connector, 3/8" x 1/4" Union	1
2	7430-383	Elbow, 90° 3/8" Swivel Nut	1
3	45720-769-01	Reducer, 1/4" x 1/8"	1
4	45720-770-01	Elbow, 90° 1/8"	1
5	45191-510-57	Hose Barb	1
6	50030-001-30	Tubing, 3/16" I.D.	As Req
7	9704-320-16	Bracket, Vacuum Gauge Fume	1
8	45865-002-44	Gauge, 0-10" Water Scale	1
9	45710-002-13	U-Clamp, 4" Flat Band	2
10	Reference Only	See Fume Controls & Fan Parts - This Section	-
10	Reference Only	See Fume Controls & Fan Parts - This Section	-
10	Reference Only	See Fume Controls & Fan Parts - This Section	-
13	45191-007-31	Clamp, 4" Hose Bridge	2
14	9704-319-59	Hood, LH Inlet - See Inlet Hoods, Following Pages	1
15	9704-319-60	Hood, RH Inlet - See Inlet Hoods, Following Pages	1
16	7383-100	Capscrew, 5/8" NC x 1-1/2"	8
17	7014-022	Washer, 5/8"	8
18	7014-007	Lockwasher, 5/8"	8
19	7012-029	Hex Nut, 5/8" NC	8
20	7383-036	Capscrew, 3/8" NC x 3/4"	4
21	7014-018	Washer, 3/8"	4
22	7014-003	Lockwasher, 3/8"	4

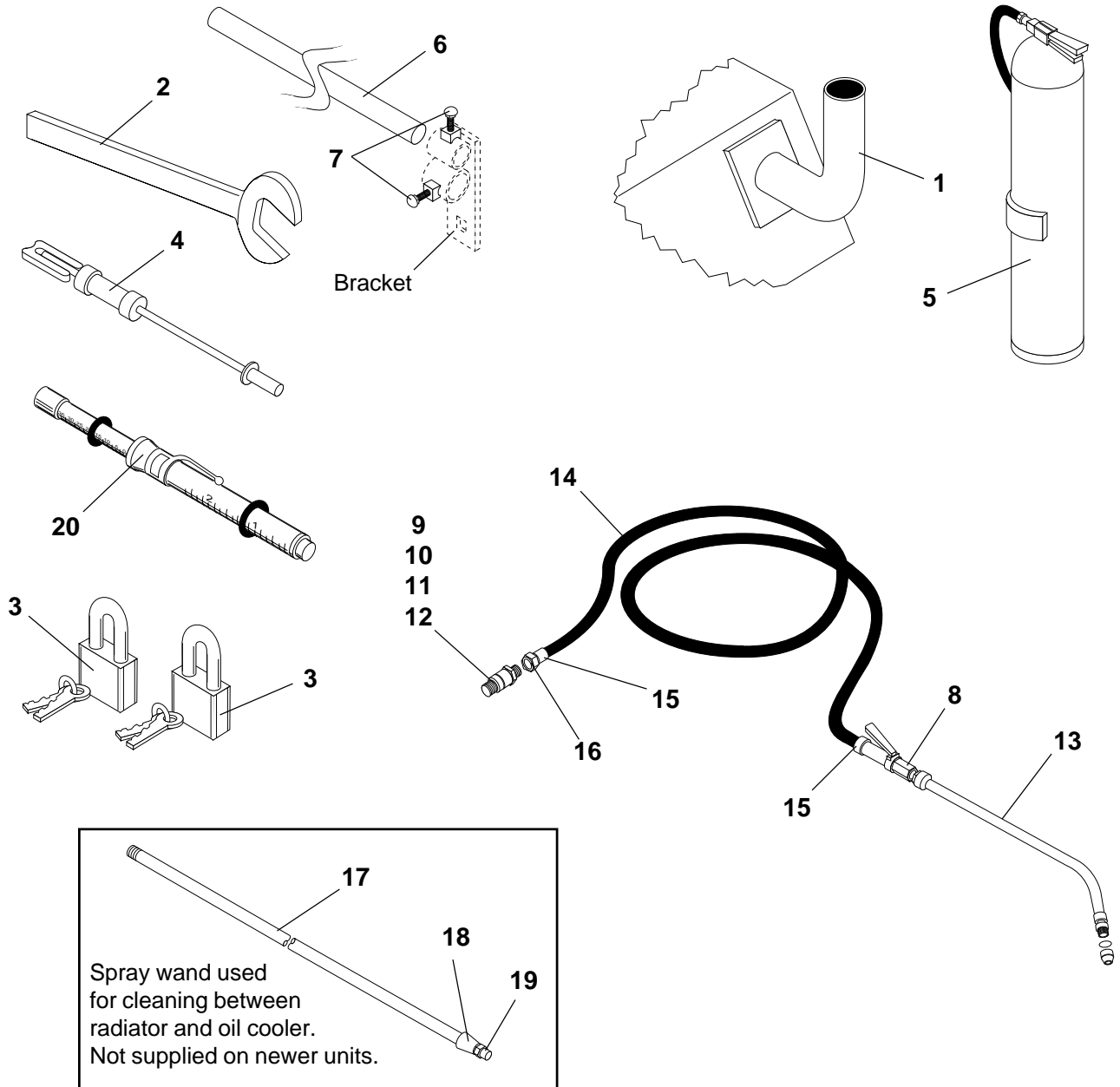
**Inlet Hoods**



Ref. No.	Part Number	Description	Quantity
	9704-319-59	Inlet Hood, Left Hand - Complete	-
1	9704-319-61	Hood, Inlet	1
2	45890-101-05	Plug Nut, 3/8" NC	2
	9704-319-60	Inlet Hood, Right Hand - Complete	-
3	9704-319-62	Hood, Inlet	1
4	45890-101-05	Plug Nut, 3/8" NC	2
5	9704-319-34	Box, Inlet	2
6	9704-319-65	Cover	2
7	7383-036	Capscrew, 3/8" NC x 3/4"	12
8	7014-018	Washer, 3/8"	12
9	7014-003	Lockwasher, 3/8"	12



**Tractor Accessories**



NOTE: Typical illustration is shown. Appearance and quantity of some items vary depending on application.

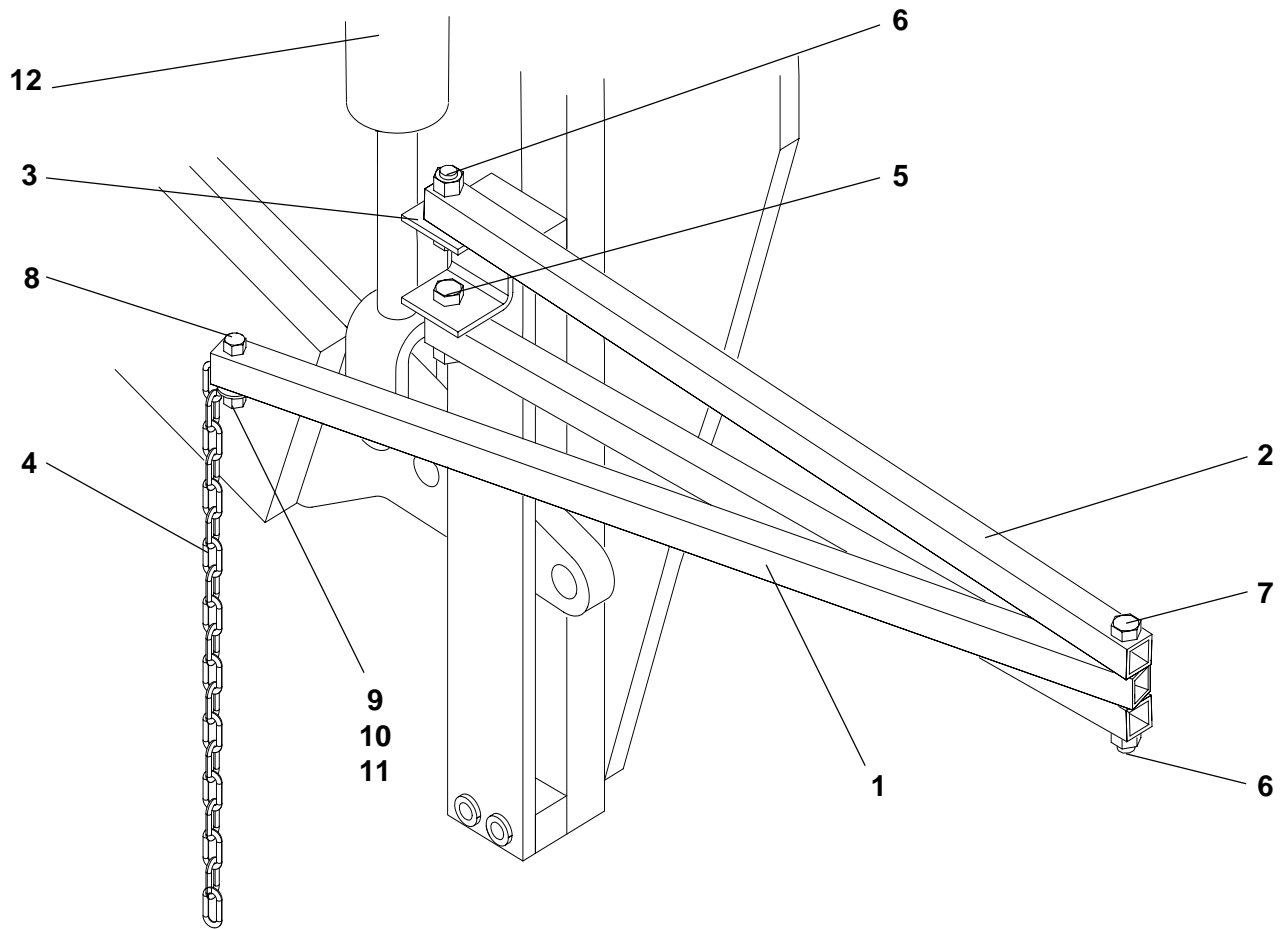
## Tractor Accessories

Ref. No.	Part Number	Description	Quantity
1	{ 9704-323-32	Extension, Exhaust (2003 & Newer Tier II Pavers)	1
	{ 9704-319-73	Extension, Exhaust (Pre-2003 Grayhound Pavers)	1
2	45500-750-10	Wrench, Open End	1
3	46000-004-04	Padlock, with Keys	7
4	9704-568-94	Slide Hammer	1
5	45515-004-03	Extinguisher, Fire	1
6	40509-041	Pipe, 1-1/2" x 41"	1
7	{ 7383-070	Capscrew, 1/2" NC x 1-1/2"	5
	{ 7012-005	Square Nut, 1/2" NC	5
	9704-564-46	Spraydown Hose - Complete (Supplied with all units)	1
8	45251-001-76	Valve, Shut-Off	1
9	45191-504-29	Quick Disconnect, 1/8" Brass	1
10	45191-504-29-01	Plug, Dust	1
11	45191-504-29-02	Cap, Dust	1
12	45720-770-54	Hex Nipple, 1/8"	1
13	45251-006-05	Extension, 18" - with Nozzle	1
14	50030-001-02	Hose, 3/8"	30'
15	45191-004-05	Clamp	2
16	40500-002-50-02	Nipple, 1/8" Pipe	1
	9704-452-44-01	Spray Wand, No Gun (Not supplied with Newer Tier II Pavers)	1
17	40501-035-00-01	Nipple, 1/4" x 35"	1
18	7304-001	Reducer Coupling, 1/4" x 1/8"	1
19	45251-005-68	Spray Nozzle	1
	9704-800-43	Kit, Belt Tensioning - Complete	1
20	45500-036-08-01	Gauge, Belt Tension	1
21	4418-700	Instructions, Belt Tension Gauge (Not Shown)	1
<u>Additional Tractor Accessory parts (Not Shown):</u>			
22	45080-527-07	Test Hose	1
23	45080-527-05	Adapter	1
24	7435-134	Machine Screw, 1/4" NC x 5/8"	5
25	7014-016	Washer, 1/4"	5
26	45890-102-36	Locknut, 1/4" NC	5

Note: This parts page applies to several different model and unit configurations as noted below:

Parts List 05210KJA Early Production Grayhound Model Pavers  
 Parts List 05210KJB 2003 and Newer Tier II Model Pavers

**Guide Pointer Kit**



Ref. No.	Part Number	Description	Quantity
	9704-851-44	Kit, Guide Pointer - Complete	
1	9704-851-40	Arm, Inner	1
2	9704-851-41	Arm, Outer	2
3	9704-851-42	Yoke, Guide Pointer	1
4	50005-800-01	Chain, 20 Links	1
5	7383-072	Capscrew, 1/2" NC x 2"	2
6	45890-102-28	Locknut, 1/2" NC	3
7	7383-079	Capscrew, 1/2" NC x 3-3/4"	1
8	7383-041	Capscrew, 3/8" NC x 1-3/4"	1
9	7014-018	Washer, 3/8" Flat	1
10	7014-003	Washer, 3/8" Lock	1
11	7012-025	Hex Nut, 3/8" NC	1
12	Reference	See Screed Pull Arms - Section 5	

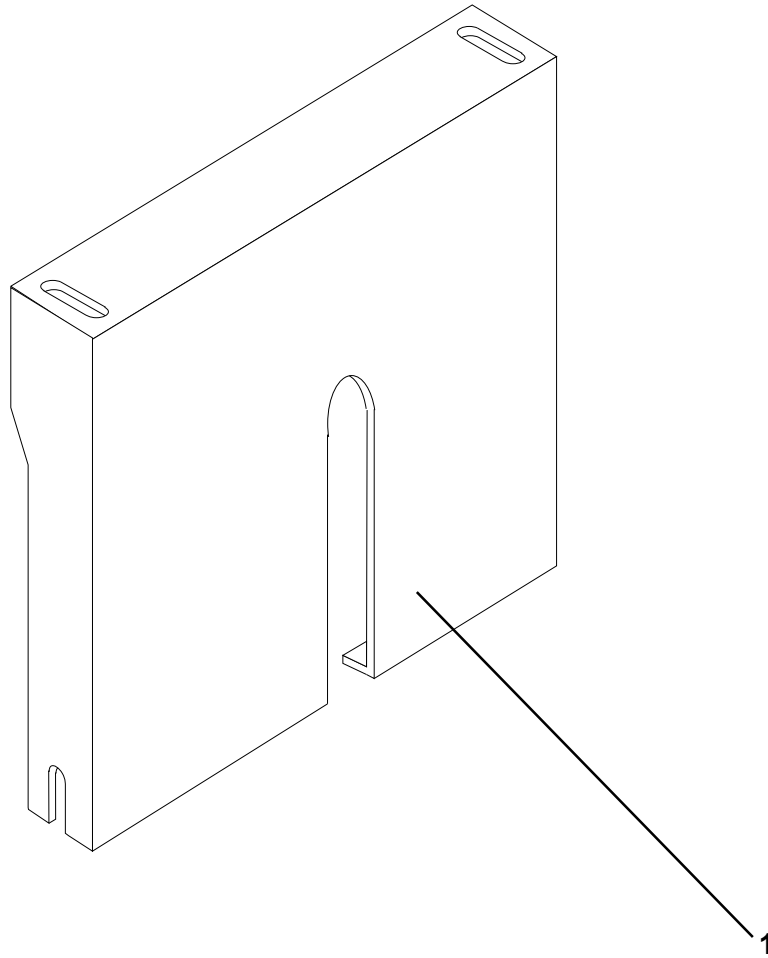
*Note: Quantities shown are for one (1) kit only. This kit supplied with several different configurations:*

- Parts List 05210KJA Early Production Grayhound Model Pavers
- Parts List 05210KJB 2003 and Newer Tier II Model Pavers





**Track Console Cover**

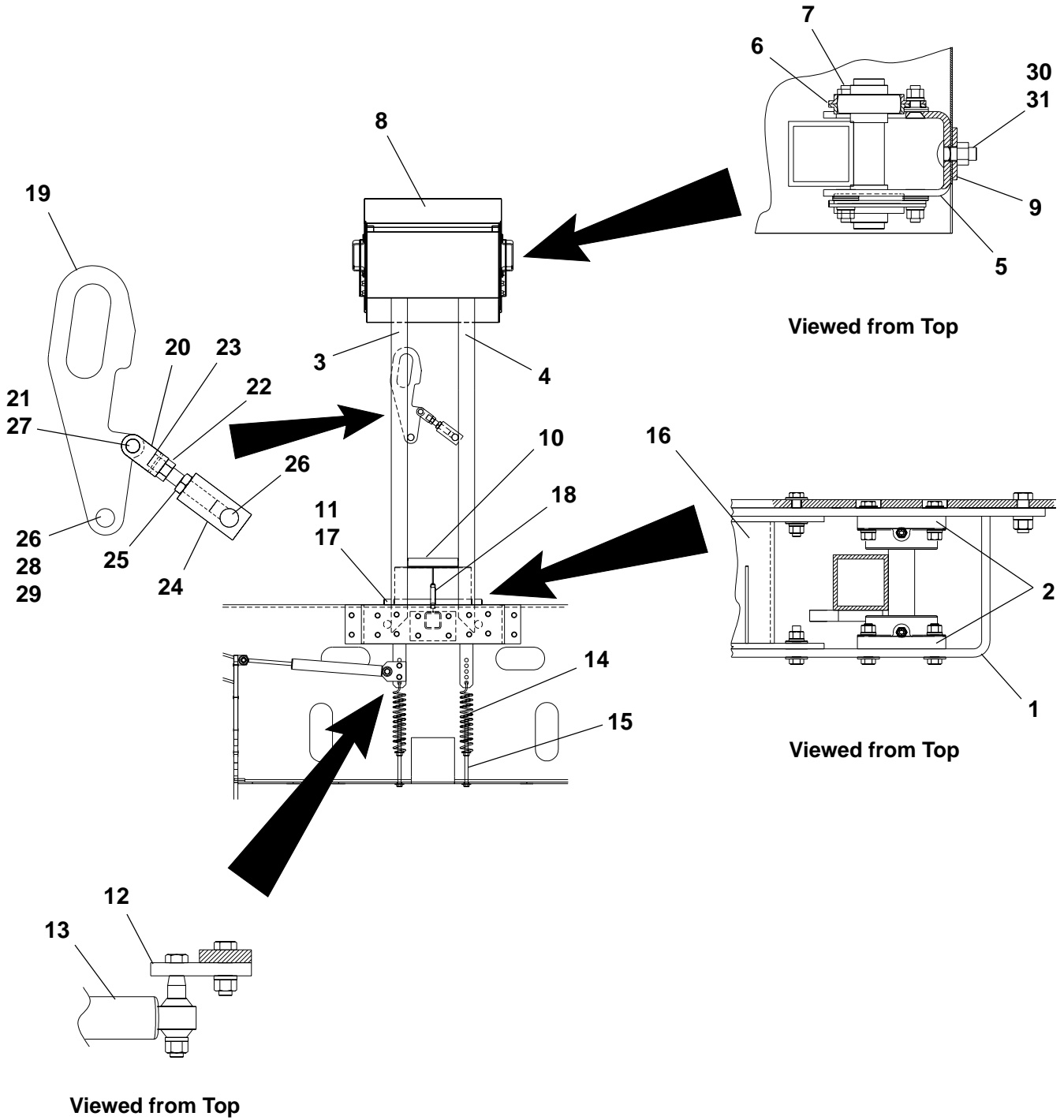


Ref. No.	Part Number	Description	Quantity
1	9704-505-46	Cover, Track Console	1
<i>The following hardware is supplied with Console Cover, not shown on the illustration:</i>			
2	7455-012	Screw, Shoulder 3.8" x 5/8"	2
3	7014-002	Washer, 5/16" Lock	2
4	7012-024	Hex Nut, 5/16" NC	2
5	7383-074	Capscrew, 1/2" x 2-1/2"	2
6	7014-005	Washer, 1/2" Lock	2
7	7012-027	Hex Nut, 1/2" NC	4

***NOTE: Refer to Control Console in Section 8 for additional information.***



**Console - Mechanical Parts**





## Console - Mechanical Parts

Parts List No. 5210MAJ

Ref. No.	Part Number	Description	Quantity
1	9704-504-94	Base, Console Support	1
2	FO103FGA	Flange Bearing, 1-3/16" - <i>See Form # 1001, This Section</i>	4
3	9704-505-14	Support, Console - Right Hand	1
4	9704-505-15	Support, Console - Left Hand	1
5	9704-503-64	Bracket, Upper Bearing	2
6	45129-001-04	Flangette, Bearing	8
7	7041-007	Ball Bearing, 1-3/16" Bore	4
8	Reference	<i>See Control Console, Section 8</i>	-
9	9704-503-79	Flat, Console Bracket Backing	2
10	9704-505-86	Lock, Console	1
11	9704-504-90	Rod, Hinge	1
12	9704-503-02	Flat, Damper Support	1
13	45090-010-45	Cylinder, Horizontal Shock	1
14	9704-503-05	Spring, Console Arm	2
15	{ 7285-033	Adjusting Bolt, 1/2" NC x 10"	2
	{ 7014-020	Washer, 1/2"	4
	{ 7012-027	Hex Nut, 1/2" NC	2
16	9704-505-11	Stop, Console Arm	1
17	7011-021	Cotter Pin, 3/16" x 1"	2
18	45870-001-32	Spring	1
19	9704-505-13	Handle, Console Lock	1
20	9704-505-08	Yoke, Console Clamp	1
21	7198-010	Yoke Pin, 3/4"	1
22	9704-505-01	Bolt, Console Lock	1
23	7253-026	Retaining Ring	1
24	9704-505-09	Block, Console Lock	1
25	7017-052	Hex Nut, 3/4" Jam	1
26	40505-002	Pipe, 1" Standard x 2"	2
27	7011-039	Cotter Pin, 1/8" x 1-1/2"	1
28	7014-020	Washer, 1/2"	2
29	7383-068	Capscrew, 1/2" NC x 1"	2
30	7072-101	Carriage Bolt, 1/2" NC x 1-1/4"	6
31	45890-102-28	Locknut, 1/2" NC	6

Note: Additional standard mounting hardware is not identified on this parts listing.  
Consult Cedarapids Product Support for more detailed parts replacement information.



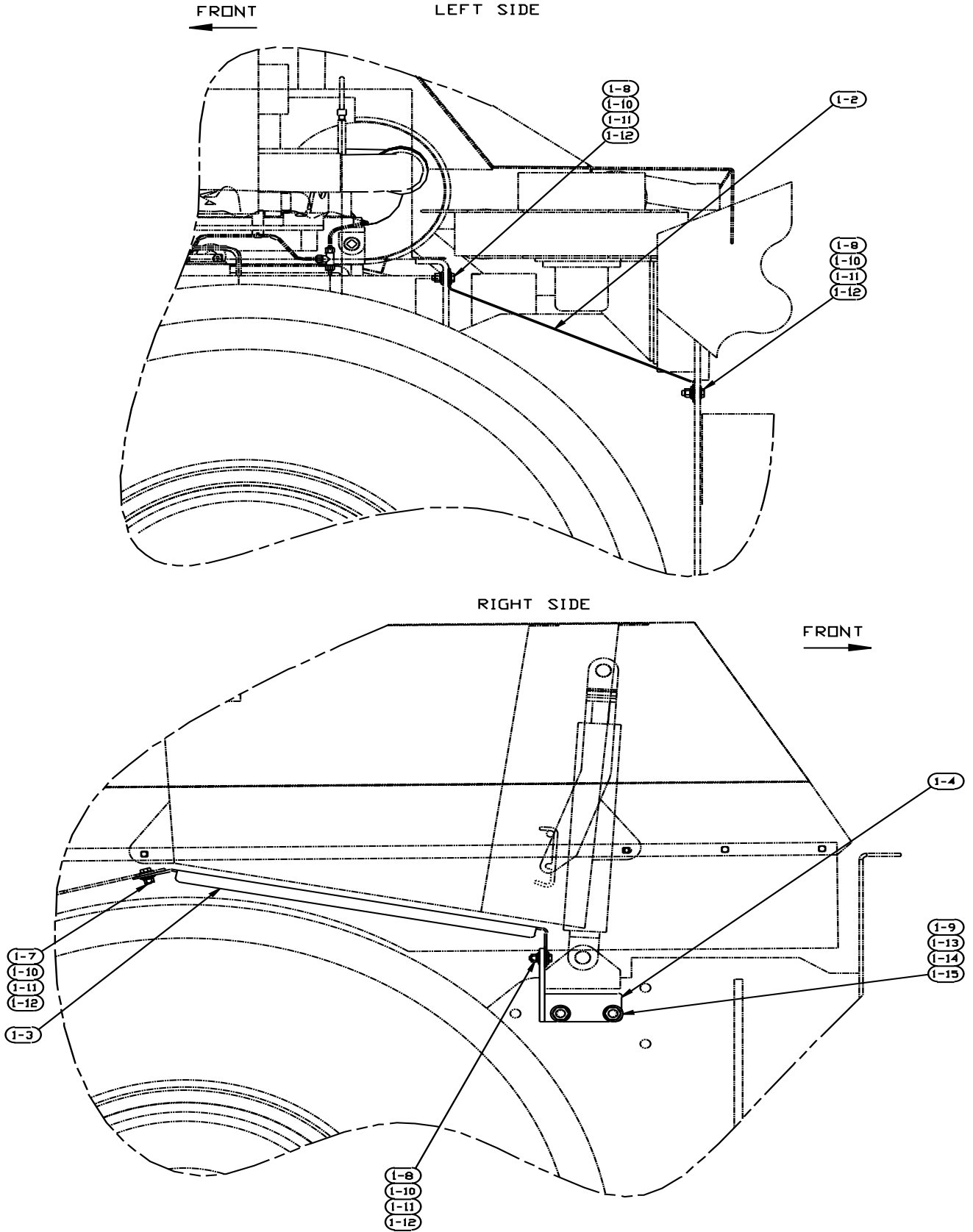
## Emblems

Parts List No. 5210KDX

Ref. No.	Part Number	Description	Quantity
1	4493-023	Emblem, Serial	1
2	7073-013	Screw, Drive	3
3	4418-197	Emblem, Slow Moving Vehicle	1
4	7435-135	Machine Screw	2
5	7014-001	Washer	2
6	7012-023	Hex Nut	2
7	4495-012	Diagram, Hydraulic Schematic	1
8	46010-600-06	Tape, White 1"	33'
9	46010-600-08	Reflector, Amber	2
10	4418-866	Emblem, Patent	1
11	9704-454-11	Emblem Kit, Tractor Common - Complete	1
12	4418-628	Emblem, Moving Procedure (Console Area)	1
13	4490-020	Emblem, Entanglement-Burn (Hopper Area)	2
14	4491-032	Emblem, Hopper Wing Hazard (Hopper Area)	2
15	4494-103-01	Emblem, Towing Instructions	1
16	4491-026	Emblem, Emergency Towing	1
17	4491-015	Emblem, Proposition 65 Warning	1
18	4491-020	Emblem, Lockout/Tagout	1
19	4491-022	Emblem, Hearing Hazard	1
20	4491-034	Emblem, Falling Hazard	1
21	4490-020	Emblem, Entanglement-Burn	1
22	4491-033	Emblem, Paver Operation	1
23	4418-955	Emblem, USA Flag	2
24	4494-103-11	Decal, Coolant Filling	1
25	4491-007	Emblem, Hood Safety	2
26	4490-021	Emblem, Battery	1
27	4418-617	Emblem, Pull Point Indicator 12"	2
28	4418-720	Emblem, Engine Oil Drain	1
29	4494-105-31	Emblem, Booster Cables	1
30	4490-030	Emblem, Danger Skin Injection	1
31	4490-019	Emblem, Entanglement-Burn	2
32	4418-977	Emblem, Lift Here	4
33	4418-976	Emblem, Tie Down Here	4
34	4418-950	Emblem, Engine Coolant Drain	1
35	4418-925	Emblem, Paver Lube Plate	1
36	4418-934	Emblem, Paver Vacuum Indicator	1
37	4494-104-63	Emblem, Stripe	4
38	4494-104-47	Emblem, 362	2
39	4418-135-11	Emblem, Diesel	1
40	4418-836	Emblem, Reservoir Level	1
41	4494-031-04	Emblem, Accumulator	1
42	4418-803	Emblem, Oil Reservoir	1
43	4492-011	Emblem, Reseal Reservoir	1
44	4418-674	Emblem, Lifting Points	1
45	4418-609	Emblem, Tie Downs	1
46	9700-079	Emblem, Gate Opening	1
47	4494-104-67	Emblem, Terex	2



### Fenders/Guards Assembly



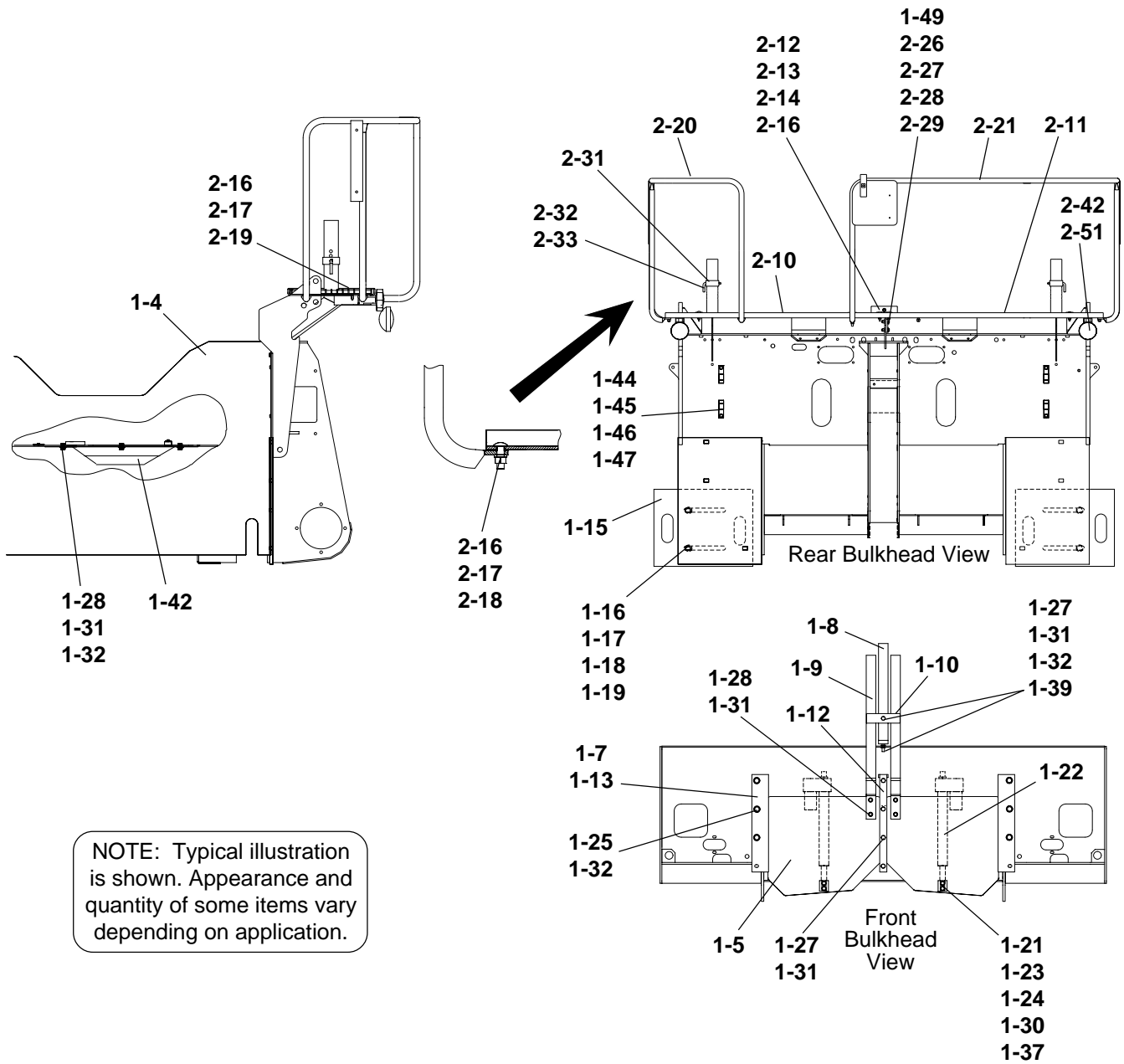
**Fenders/Guards Assembly**Parts List No. 5210BCJ

Ref. No.	Part Number	Description	Quantity
1-2	9704-306-40	Guard, Plate, Left Hand	1
1-3	9704-306-41	Guard, Plate, Right Hand	1
1-4	9704-306-46	Support, Guard Plate	1
1-7	7383-038	Capscrew, 3/8" NC x 1"	2
1-8	7383-039	Capscrew, 3/8" NC x 1-1/4"	7
1-9	7383-102	Capscrew, 5/8" NC x 2"	2
1-10	7014-018	Washer, 3/8"	9
1-11	7014-003	Lockwasher, 3/8"	9
1-12	7012-025	Hex Nut, 3/8" NC	9
1-13	7014-007	Lockwasher, 5/8"	2
1-14	7012-029	Hex Nut, 5/8" NC	2
1-15	7014-022	Washer, 5/8"	4

Note: Items 1-2, 1-3 and 1-4 are also available as a Kit using Part No: 9709-050-20.



**Main Frame Parts**



NOTE: Typical illustration is shown. Appearance and quantity of some items vary depending on application.



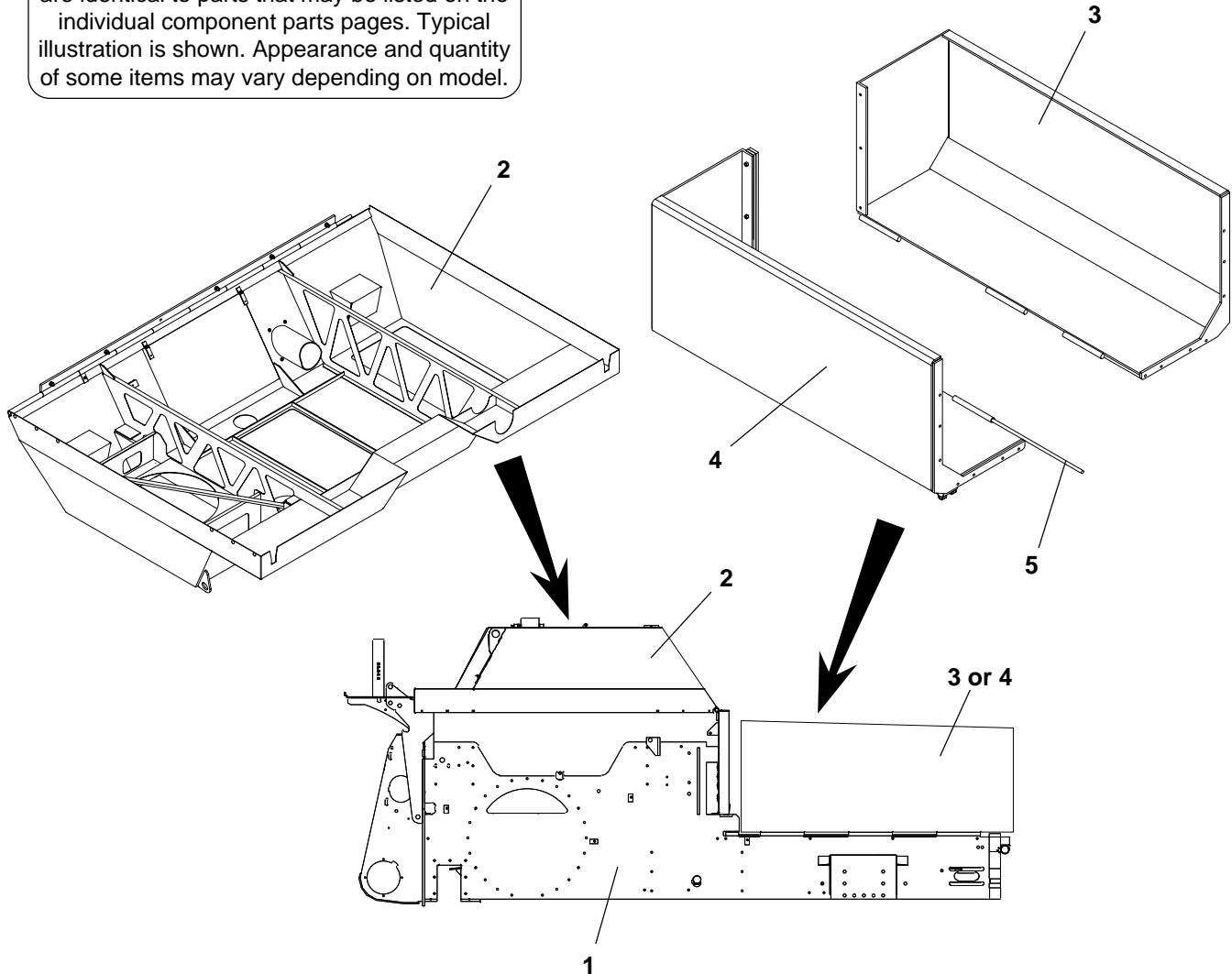
## Main Frame Parts

Parts List No. 05210AAU

Ref. No.	Part Number	Description	Quantity
1-4	Reference Only	See Frame, Hood, Hopper & Liners Kit - Following Page	-
1-5	9704-009-52	Gate, Hopper	2
1-7	9704-007-85	Clamp, Outer Gate	2
1-8	9704-306-96	Flat, Decal Mounting Bracket	1
1-9	9704-306-95	Flat, Hopper Gate Indicator	2
1-10	9704-008-15	Flat, Gate Indicator	2
1-11	9709-000-01	Kit, Gate Clamp (Includes items 1-7, 1-12 & 1-13) Not Identified	1
1-12	9704-001-19	Clamp, Gate Center	1
1-13	9701-574	Shim, Clamp	2
1-15	9704-013-64	Plate, Material Retaining	2
1-16	7072-149	Carriage Bolt, 5/8" NC x 2"	4
1-17	7014-022	Washer, 5/8"	4
1-18	7014-007	Lockwasher, 5/8"	4
1-19	7012-029	Hex Nut, 5/8" NC	4
1-21	9704-006-55	Clevis, Gate	2
1-22	45500-758-24	Jack, Actuator	2
1-23	7198-008	Pin, Yoke 1/2"	4
1-24	7011-017	Cotter Pin, 1/8" x 1"	4
1-25	7383-070	Capscrew, 1/2" x 1-1/2"	6
1-27	7383-072	Capscrew, 1/2" x 2"	6
1-28	7383-068	Capscrew, 1/2" NC x 1	10
1-30	7072-103	Carriage Bolt, 1/2" x 2"	4
1-31	7014-005	Washer, 1/2" Lock	16
1-32	7014-020	Washer, 1/2"	14
1-37	45890-102-28	Lock Nut, 1/2" NC	4
1-39	7012-027	Hex Nut, 1/2"	2
1-42	9704-306-65	Door, Basket Floor	1
1-44	5032-201-75	Support, Cable	4
1-45	7383-038	Capscrew, 3/8" NC x 1"	4
1-46	7014-003	Lockwasher, 3/8"	4
1-47	7012-025	Hex Nut, 3/8" NC	4
1-49	9704-905-03	Plate, Bearing	1
2-10	9704-453-51	Grate, Tractor Walkway - L.H.	1
2-11	9704-453-52	Grate, Tractor Walkway - R.H.	1
2-12	9704-011-74	Retainer, Grate	4
2-13	7072-103	Carriage Bolt, 1/2" NC x 2"	4
2-14	7056-013	Wing Nut, 1/2" NC	4
2-16	7014-005	Lockwasher, 1/2"	11
2-17	7012-027	Hex Nut, 1/2"	7
2-18	7072-101	Carriage Bolt, 1/2" x 1-1/4"	5
2-19	7072-104	Carriage Bolt, 1/2" x 2-1/2"	2
2-20	9704-451-67	Railing, Left Hand	1
2-21	9704-453-55	Railing, Right Hand	1
2-26	7014-005	Washer, 1/2" Lock	4
2-27	7012-027	Hex Nut, 1/2" NC	4
2-28	7383-071	Capscrew, 1/2" NC x 1-3/4"	4
2-29	7014-020	Washer, 1/2"	4
2-31	9704-451-40	Collar, Seat Height	2
2-32	9704-451-41	Pin, Seat	2
2-33	45890-800-19	Hair Pin, 1-7/8"	2
2-42	46270-252-12	Light, Tail	2
2-51	46320-001-06	Strap	4

**Main Frame, Hood and Hopper Kit**  
Parts List No. 05210AAU

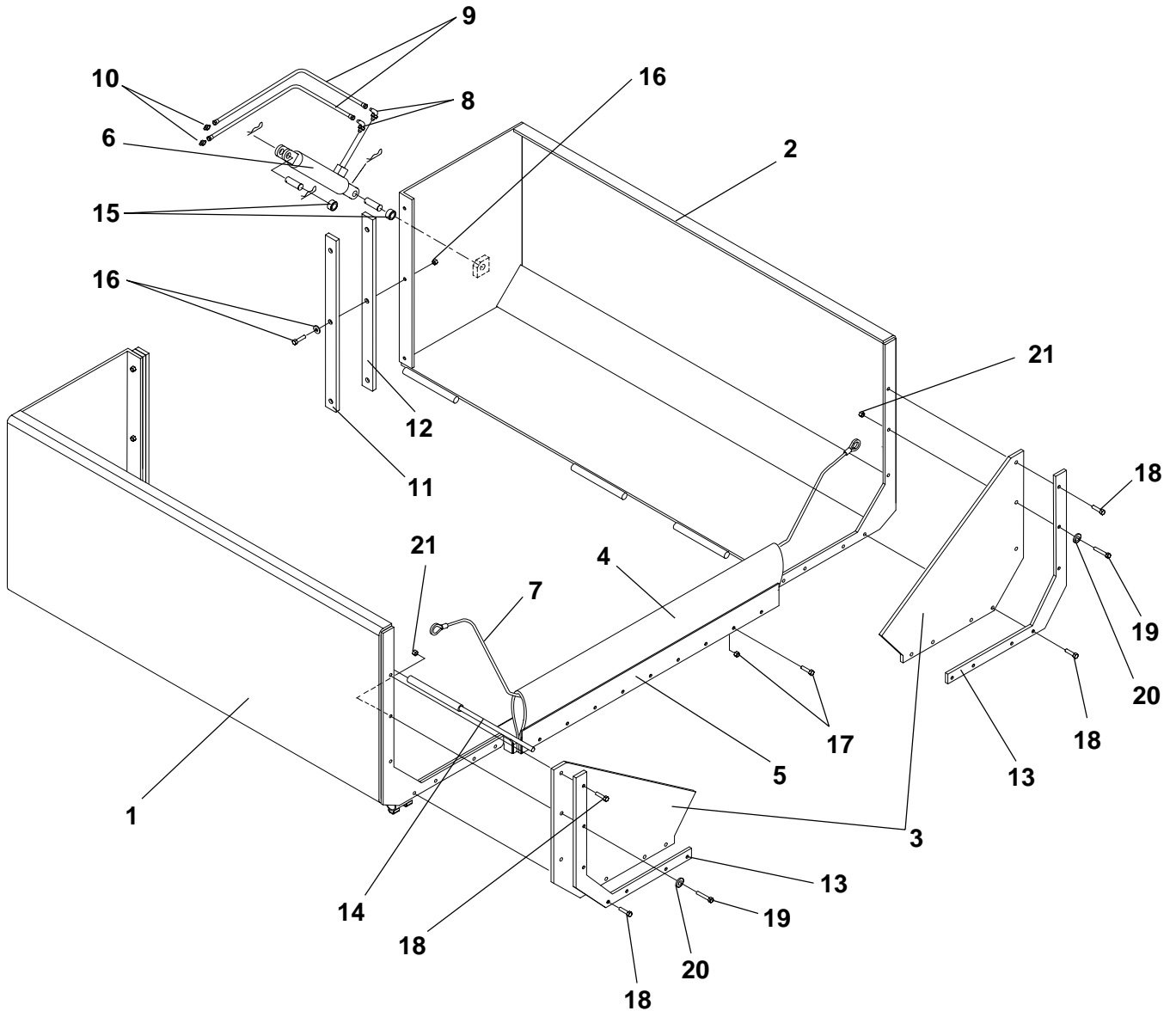
NOTE: The items shown are ordered by the factory as a kit for assembly purposes. They are identical to parts that may be listed on the individual component parts pages. Typical illustration is shown. Appearance and quantity of some items may vary depending on model.



Ref. No.	Part Number	Description	Quantity
-	9704-014-71	Main Frame Kit - 300 Series Tier II Pavers	-
1	9704-015-81	Frame, Main - 300 Series Tier II Pavers	1
2	9704-306-03	Hood, 300 Series Tier II Pavers	1
3	9704-011-34	Hopper Wing, Left Hand	1
4	9704-011-33	Hopper Wing, Right Hand	1
5	9704-013-62	Hinge Rod, 3/4" Hopper Wing	2



### Hopper Wings



NOTE: Typical illustration is shown. Appearance and quantity of some items vary depending on application.



## Hopper Wings

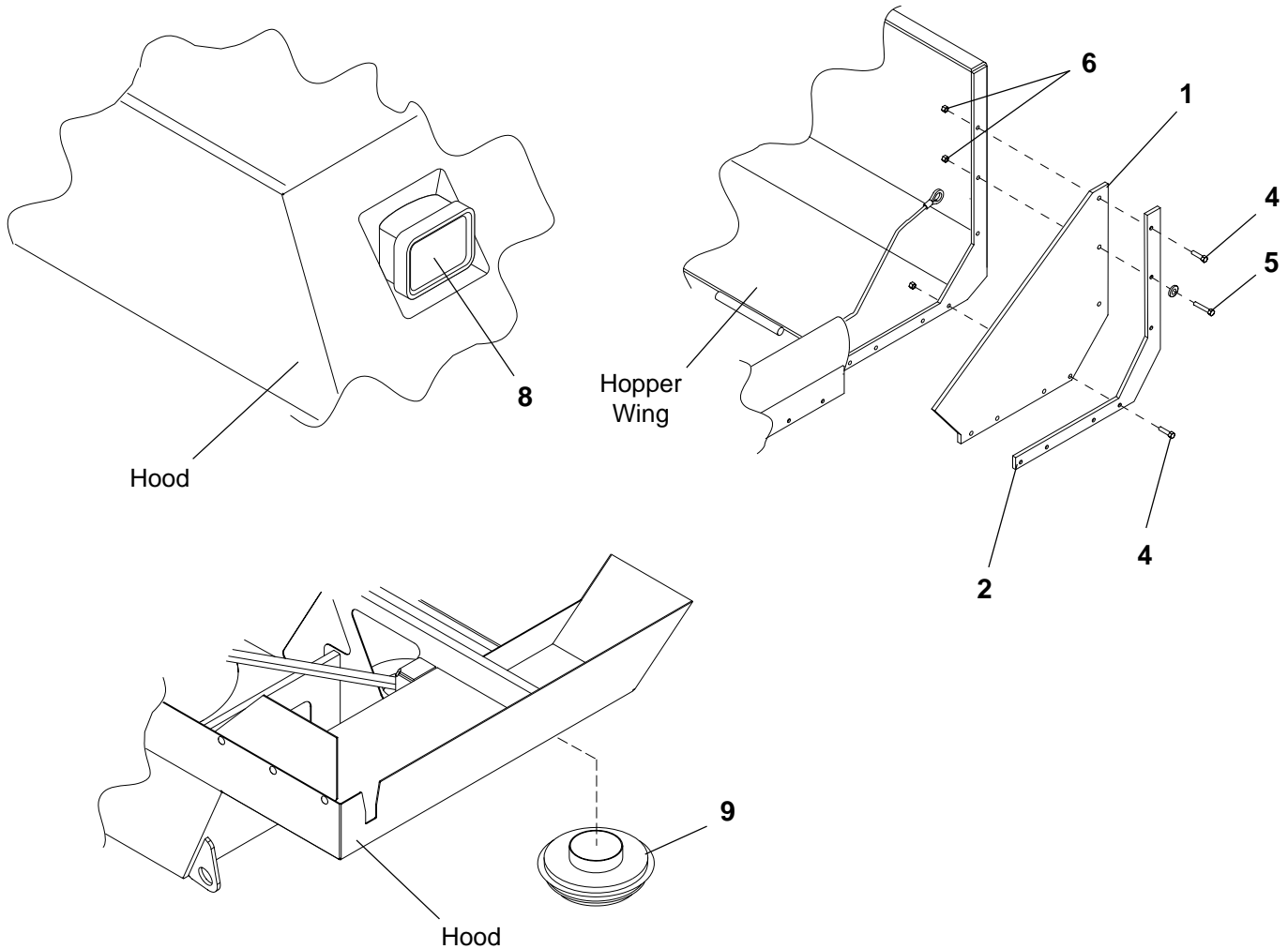
Parts List No. 5210ACS

Ref. No.	Part Number	Description	Quantity
1	K9704-011-33	Wing, Right Hand Hopper (Included w/ Frame Kit)	1
2	K9704-011-34	Wing, Left Hand Hopper (Included w/ Frame Kit)	1
3	Reference Only	Guard, Corner - <i>See Miscellaneous Paver Parts</i>	-
4	9704-012-46	Flashing, Front Lip	1
5	9704-008-06	Flat, Flashing Clamp	1
6	45090-007-85	Cylinder, Hydraulic - Includes all Pins & Clips	2
	45090-007-85-01	Seal Kit ( <i>For above cylinder</i> )	As Req
7	Reference Only	Cable - <i>See Miscellaneous Paver Parts</i>	-
8	7430-313	Elbow, 45° 3/8" - with O-Ring	4
	45259-508-13	O-Ring ( <i>For above fitting</i> )	As Req
9	7651-021-33-01	Hose Assembly, <i>Hopper Cylinder</i>	4
10	7430-385	Fitting, 1/2" Bulkhead	2
11	9704-010-15	Clamp, Seal	2
12	9704-010-18	Wiper, Seal	2
13	Reference Only	Clamp, Guard - <i>See Miscellaneous Paver Parts</i>	-
14	K9704-013-62	Kit, Hinge Rod	2
15	45134-011-01	Bushing, 1"	4
16	{ 7383-070	Capscrew, 1/2" NC x 1-1/2"	6
	{ 7014-005	Washer, 1/2" Lock	6
	{ 7014-020	Washer, 1/2"	6
17	{ 7383-072	Capscrew, 1/2" NC x 2"	7
	{ 45890-102-28	Locknut, 1/2" NC	7
18	Reference Only	Carriage Bolt - <i>See Miscellaneous Paver Parts</i>	-
19	Reference Only	Carriage Bolt - <i>See Miscellaneous Paver Parts</i>	-
20	Reference Only	Washer - <i>See Miscellaneous Paver Parts</i>	-
21	Reference Only	Locknut - <i>See Miscellaneous Paver Parts</i>	-

NOTE: A "K" preceding the part number indicates a kitted item on newer machines.

**Miscellaneous Paver Parts**

Parts List No. 05210KBC

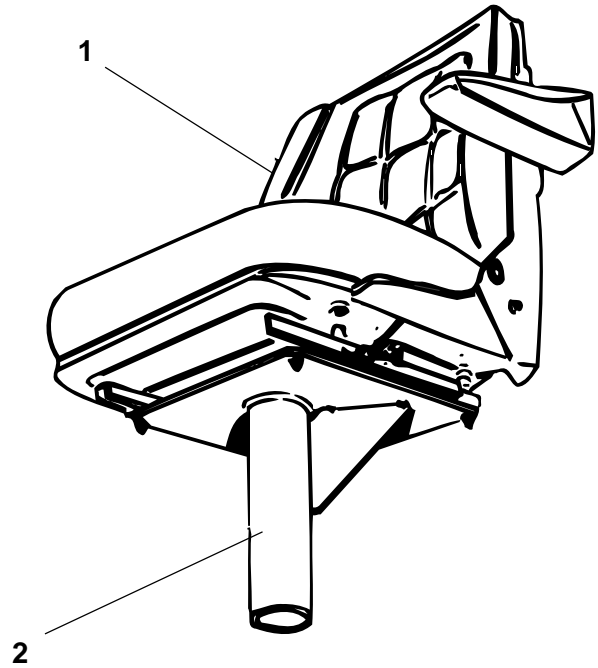


Ref. No.	Part Number	Description	Quantity
1	9704-010-05	Guard, Corner	2
2	9704-010-28	Clamp, Guard	2
3	9704-007-26	Cable, Hopper	1
4	7072-103	Carriage Bolt, 1/2" NC x 2"	12
5	7072-105	Carriage Bolt, 1/2" NC x 3"	2
	9700-459	Washer	2
6	45890-102-28	Locknut, 1/2" NC	14
7	41733-003-01	Gasket, 1" x 3/8" (Not identified on illustration)	24'
8	46270-005-08	Light, Utility - 12.8V	2
9	45690-001-31-04	Air Cleaner, Hood Inlet	1
10	9704-306-29	Grill, Hood Front (Not identified on illustration)	1
11	45710-003-09	Stack, Exhaust - 6" x 36" (Not identified on illustration)	1





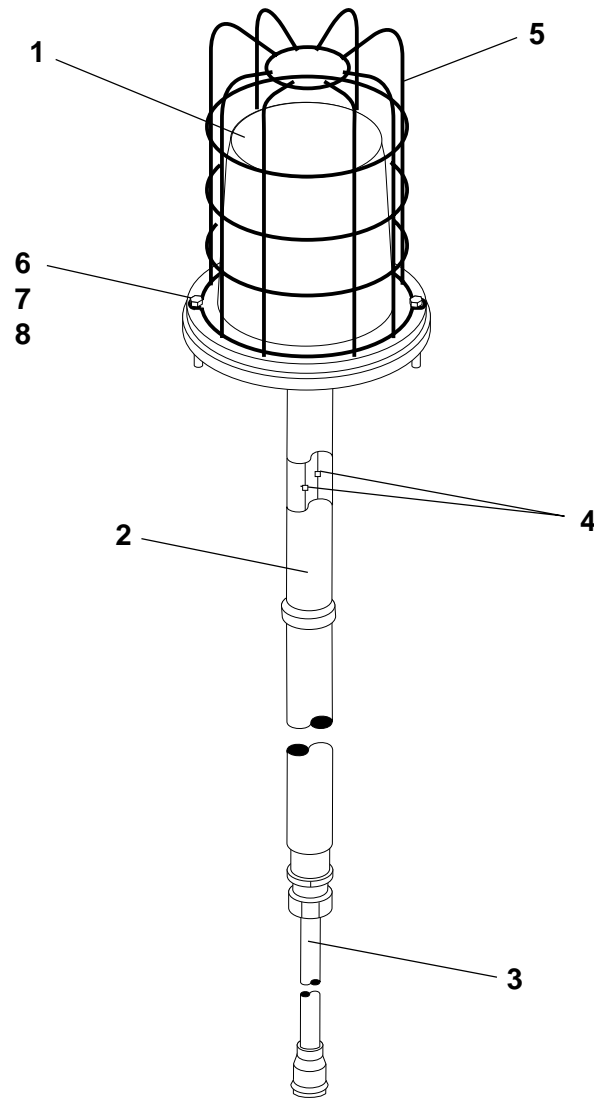
## Operators Seat



Ref. No.	Part Number	Description	Quantity
1	45037-001-07	Seat, Operators ( <i>complete</i> )	As Req
2	9704-451-38	Pedestal, Seat	As Req



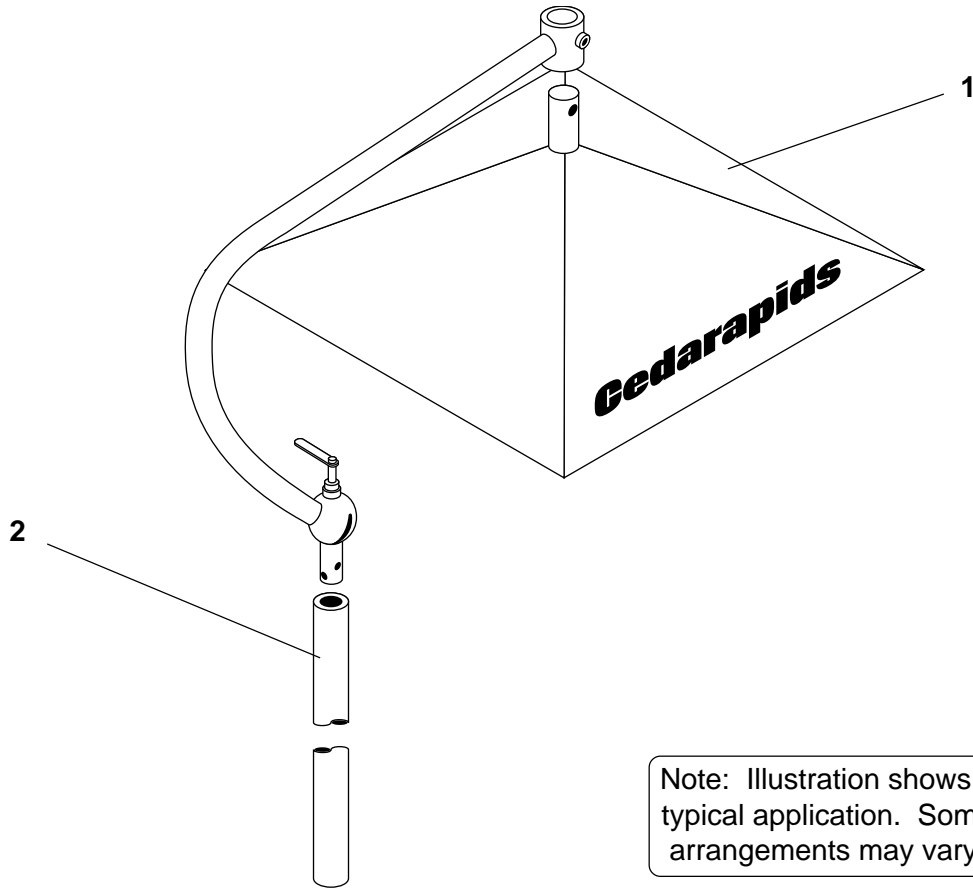
**Strobe Kit**  
Parts List No. 5210JKJ



Ref. No.	Part Number	Description	Quantity
	9704-750-13	Strobe Kit - Complete	1
1	46270-003-12	Lamp, Strobe	1
2	9704-750-12	Mount, Strobe	1
3	9704-410-47	Cable	1
4	46275-001-28	Lug	2
5	46270-003-13	Guard, Strobe	1
6	7383-006	Capscrew, 1/4" NC x 1"	2
7	7014-001	Washer, 1/4" Lock	2
8	7012-023	Nut, Hex 1/4" NC	2
9	7012-003	Nut, Square 3/8" NC - (Not Shown)	1
10	5036PGB04	Bolt, Right Angle 3/8" - (Not Shown)	1



**Umbrella**



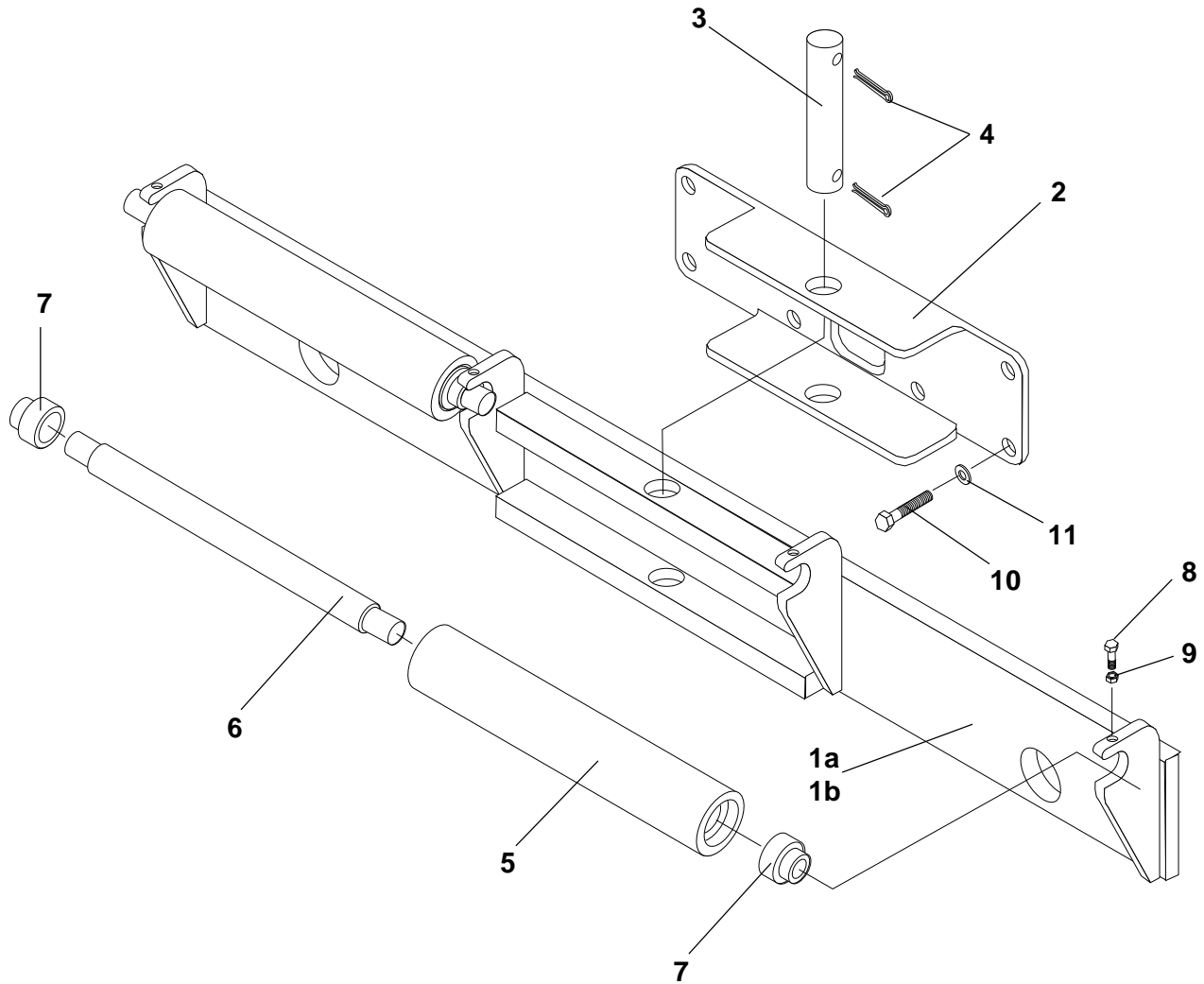
Note: Illustration shows a typical application. Some arrangements may vary.

Ref. No.	Part Number	Description	Quantity
1	9704-951-19	Umbrella - Assembly	1
2	{ 7383-068 7012-027 7014-005	Capscrew, 1/2" NC x 1"	4
		Nut, Hex 1/2" NC	4
		Lockwasher	4
3	* 5036VK03	Bracket, Umbrella (Not Shown)	1

\* Item 3 is used on Eng Bom 05046YUB only. And applies to older Pavers.



**Oscillating Push Rollers**

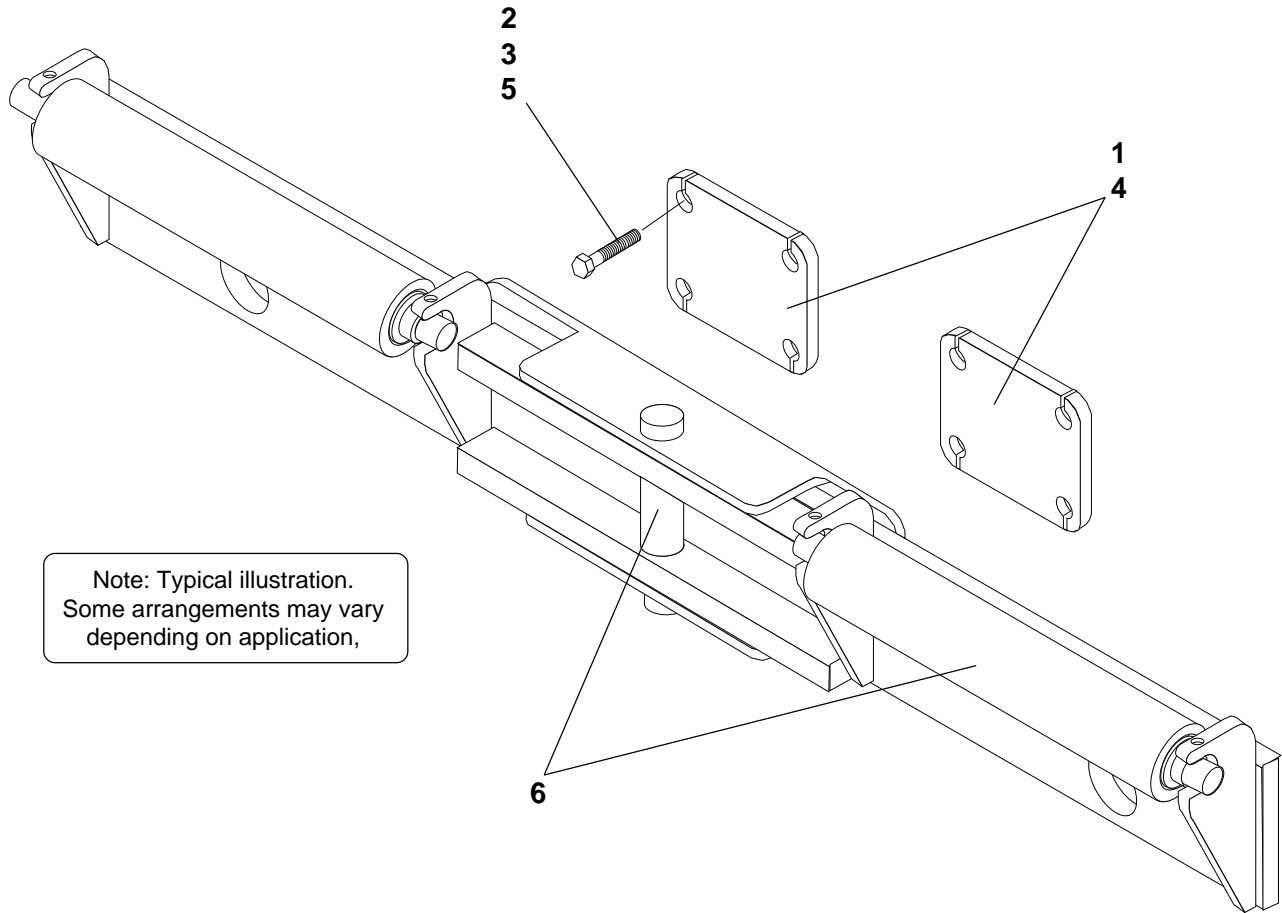


Ref. No.	Part Number	Description	Quantity
1a	9704-850-47	Beam, Oscillating (For use on 400/500 Series Pavers)	1
1b	9704-851-34	Beam, Oscillating (For use on 300 Series Pavers)	1
2	9704-851-57	Mount, Oscillating Beam	1
3	9704-003-74	Pin, Oscillating Beam	1
4	7011-113	Cotter Pin, 3/8"	2
5	5036AD32	Tube, Push Roller	2
6	41218-034	Shaft, Push Roller	2
7	7302-013	Bearing, Ball (with collar)	4
8	7130-105	Setscrew, 1/2" NC x 1-1/4"	4
9	7017-027	Hex Nut, 1/2" NC Jam	4
10	7383-100	Capscrew, 5/8" x 1-1/2"	8
11	7465-002	Washer, 5/8" Hardened Flat	8





**Spacer Shims - Push Rollers**



Note: Typical illustration.  
Some arrangements may vary depending on application,

Ref. No.	Part Number	Description	Quantity
1	9704-851-30	*Plate, Spacer	2
2	7383-108	*Capscrew, 5/8" x 3-1/2"	8
3	7389-104	*Capscrew, 5/8" x 2-1/2"	8
4	9704-851-45	*Block, Spacer	4
5	7383-244	*Capscrew, 5/8" x 5-1/2" (Replaces existing hardware)	8
6	Reference	See Oscillating Push Rollers - This Section	

\*Note: Items 1 & 2 are used for 500 series pavers.  
Items 1 & 3 are used for 400 series pavers.  
Items 4 & 5 are used for 300 series pavers.



[Return to Table  
of Contents Page](#)

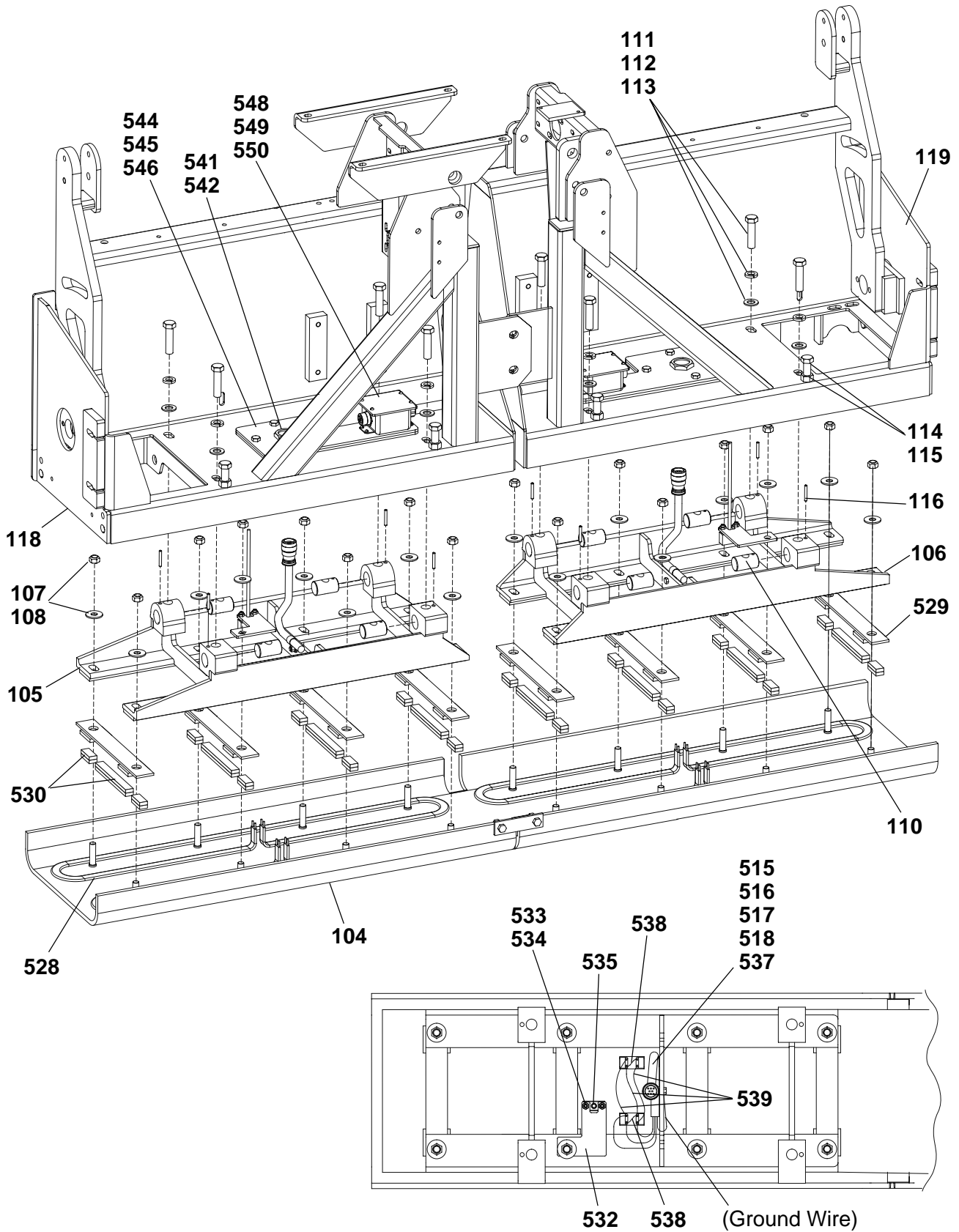
---

**Table of Contents****Basic Stretch 16 Electric Screed Components - 05037PSV**

<b>Ref No.</b>	<b>Description</b>	<b>Page No.</b>
<a href="#">1</a>	<a href="#">Front Screed and Bottom, Illustration</a>	<a href="#">2</a>
<a href="#">2</a>	<a href="#">Front Screed and Bottom, Parts List</a>	<a href="#">3</a>
<a href="#">3</a>	<a href="#">Front Screed Strike-Off Plates</a>	<a href="#">4</a>
<a href="#">4</a>	<a href="#">Crown Adjusting Mechanism</a>	<a href="#">5</a>
<a href="#">5</a>	<a href="#">Vertical Adjusting Parts, Illustration</a>	<a href="#">6</a>
<a href="#">6</a>	<a href="#">Vertical Adjusting Parts, Parts List</a>	<a href="#">7</a>
<a href="#">7</a>	<a href="#">Tipping Frames, Illustration</a>	<a href="#">8</a>
<a href="#">8</a>	<a href="#">Tipping Frames, Parts List</a>	<a href="#">9</a>
<a href="#">7</a>	<a href="#">Pull Arms</a>	<a href="#">10</a>
<a href="#">8</a>	<a href="#">Shaft &amp; Links - Pull Arms</a>	<a href="#">11</a>
<a href="#">9</a>	<a href="#">Indicators and Miscellaneous Parts</a>	<a href="#">12</a>

Return to Table  
of Contents Page

### Front Screenshot and Bottom



**Return to Table  
of Contents Page**



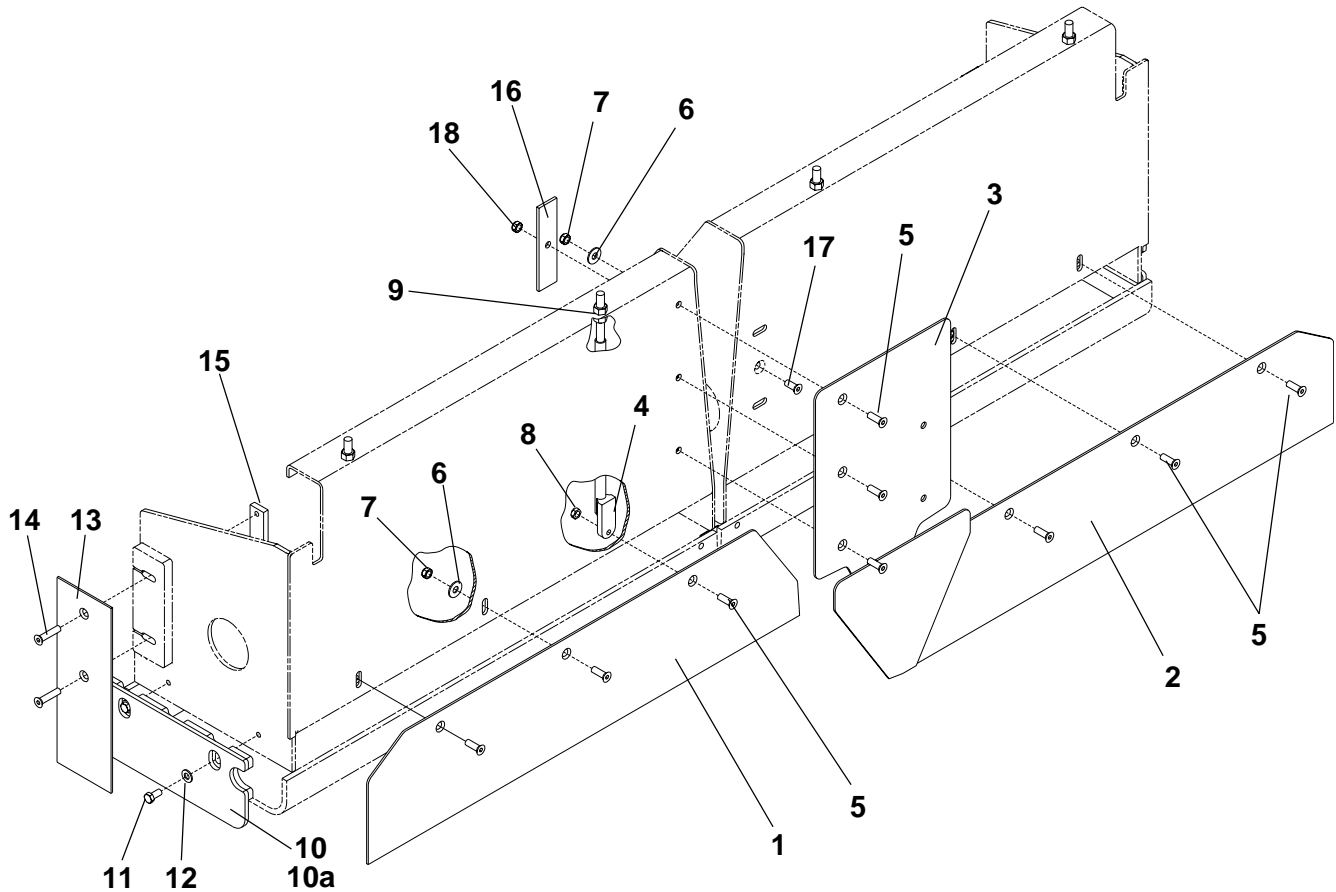
## Front Screed and Bottom

Ref. No.	Part Number	Description	Quantity
104	9704-572-44	Plate, Front Screed, Stretch 16	1
105	9704-572-57	Sub-Frame Left-Hand Screed Bottom	1
106	9704-572-56	Sub-Frame, Right-Hand Screed Bottom	1
107	7014-022	Washer, 5/8"	16
108	45890-102-29	Locknut, 5/8" NC	16
110	9704-572-82	Pivot Nut, Sub-Frame Lock	8
111	7097-015	Washer, 3/4" SAE	8
112	7014-009	Lockwasher, 3/4"	8
113	7383-122	Capscrew, 3/4" NC x 3"	8
114	7153-005	Adjust Bolt, 3/4" NC x 3 1/8"	4
115	7012-030	Hex Nut, 3/4" NC	4
116	7238-116	Roll Pin, 1/4" x 1-3/4"	8
118	9704-583-46	Frame, Left-Hand 8/16 Screed	1
119	9704-573-08	Frame, Right-Hand Screed	1
515	7509-006	Clamp, 3/4"	2
516	7383-039	Capscrew, 3/8" NC x 1-1/4	2
517	7014-003	Lockwasher, 3/8"	2
518	7012-025	Hex Nut, 3/8" NC	2
528	46055-001-52	Heating Element, 1800w - 208	4
529	9704-584-51	Clamp, Heating Element	8
530	45345-001-17	Wrap, High Temp Pipe & Tube	As Req
532	9704-584-63	Temperature Sensor Clamp	2
533	7131-080	Set Screw, 3/8" NC x 1" C	4
534	7017-025	Hex Nut, 3/8" NC Jam	4
535	46055-003-07	Sensor, Temperature Point 100	2
537	9704-616-41	Cable, Heater	2
538	9704-616-39	Wire, 4" Jumper	4
539	9704-616-67	Jumper, 6"	6
541	46026-019-06	Nipple, 2" Chase	2
542	46026-016-06	Locknut, 2"	2
544	9704-586-71	Plate, Mounting - Junction Box	2
545	7383-038	Capscrew, 3/8" x 1"	8
546	7014-003	Lockwasher, 3/8"	8
548	9704-611-56	Main Heat Junction Box	2
549	7435-095	Machine Screw, #10 NC x 1/2"	8
550	7439-003	Washer, #10 Locking	8

Note: Certain replacement parts may also be available in kit form.  
Please consult with Cedarapids Product Support for additional information.

**Return to Table  
of Contents Page**

**Front Screenshot Strike Off Plates**

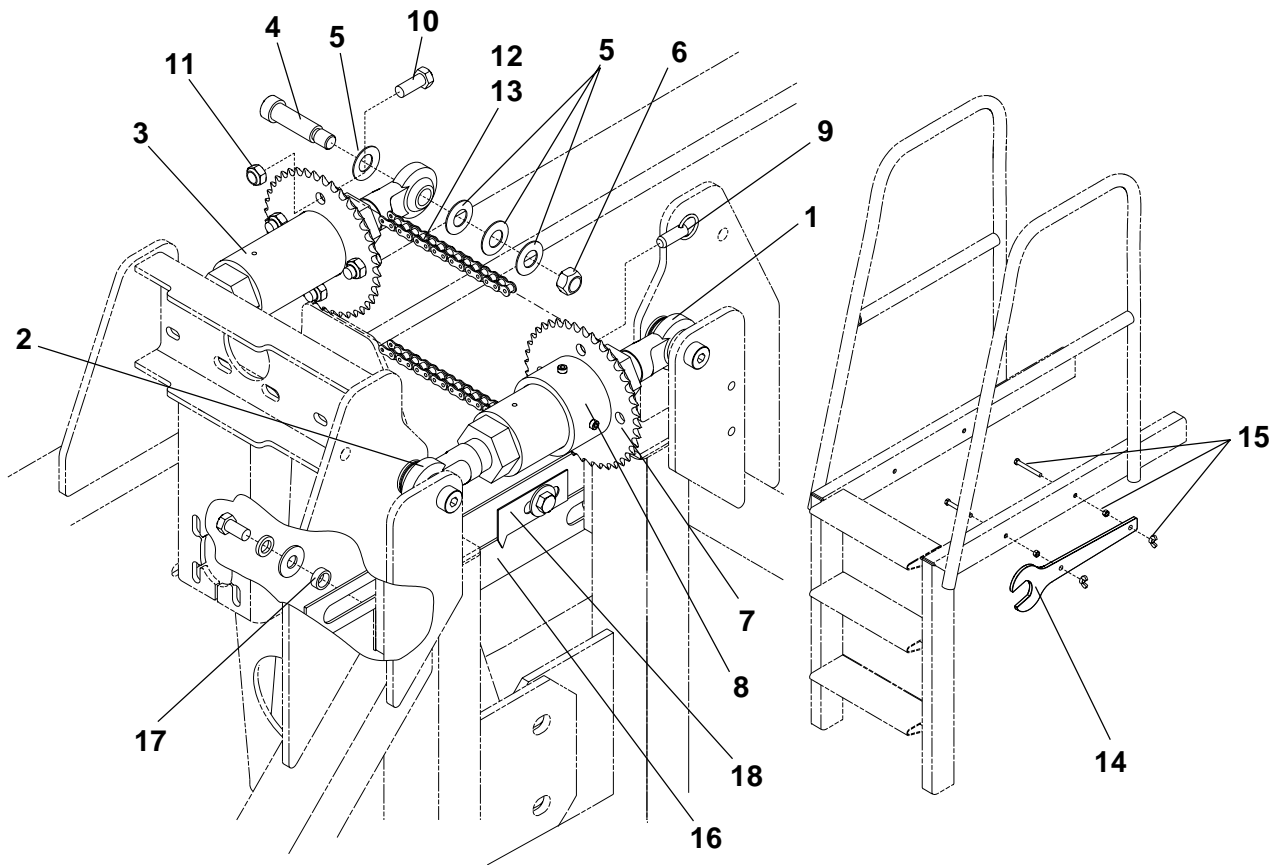


Ref. No.	Part Number	Description	Quantity
1	9704-572-38	Plate, Strike Off - Right Hand	1
2	9704-572-39	Plate, Strike Off - Left Hand	1
3	9704-572-64	Cover, Front Strike Off	1
4	9704-562-41	Plate, Adjusting - Strike Off	4
5	7389-046	Capscrew, 1/2" x 1-1/2" Sockethead	9
6	7014-020	Washer, 1/2"	5
7	45890-102-28	Locknut, 1/2"	5
8	7017-027	Hex Nut, 1/2" Jam	4
9	7012-029	Hex Nut, 5/8"	8
10	9704-573-15	End Plate, Main Screenshot (fuel burner models only)	2
10a	9704-576-72	End Plate, Main Screenshot (electric models only)	
11	7383-068	Capscrew, 1/2" x 1"	4
12	7097-011	Washer, Flat	4
13	9704-573-16	Seal Plate	2
14	7383-073	Capscrew, 1/2" x 2-1/4"	4
15	9704-574-60	Nut, Seal Plate	2
16	9704-574-55	Cover, Left Hand Front Screenshot	1
17	7389-045	Capscrew, 1/2" x 1-1/4" Sockethead	1
18	45890-102-28	Locknut, 1/2"	1

Note: Certain replacement parts may also be available in kit form.  
Please consult with Cedarapids Product Support for additional information.

**Return to Table  
of Contents Page**

**Crown Adjusting Mechanism**

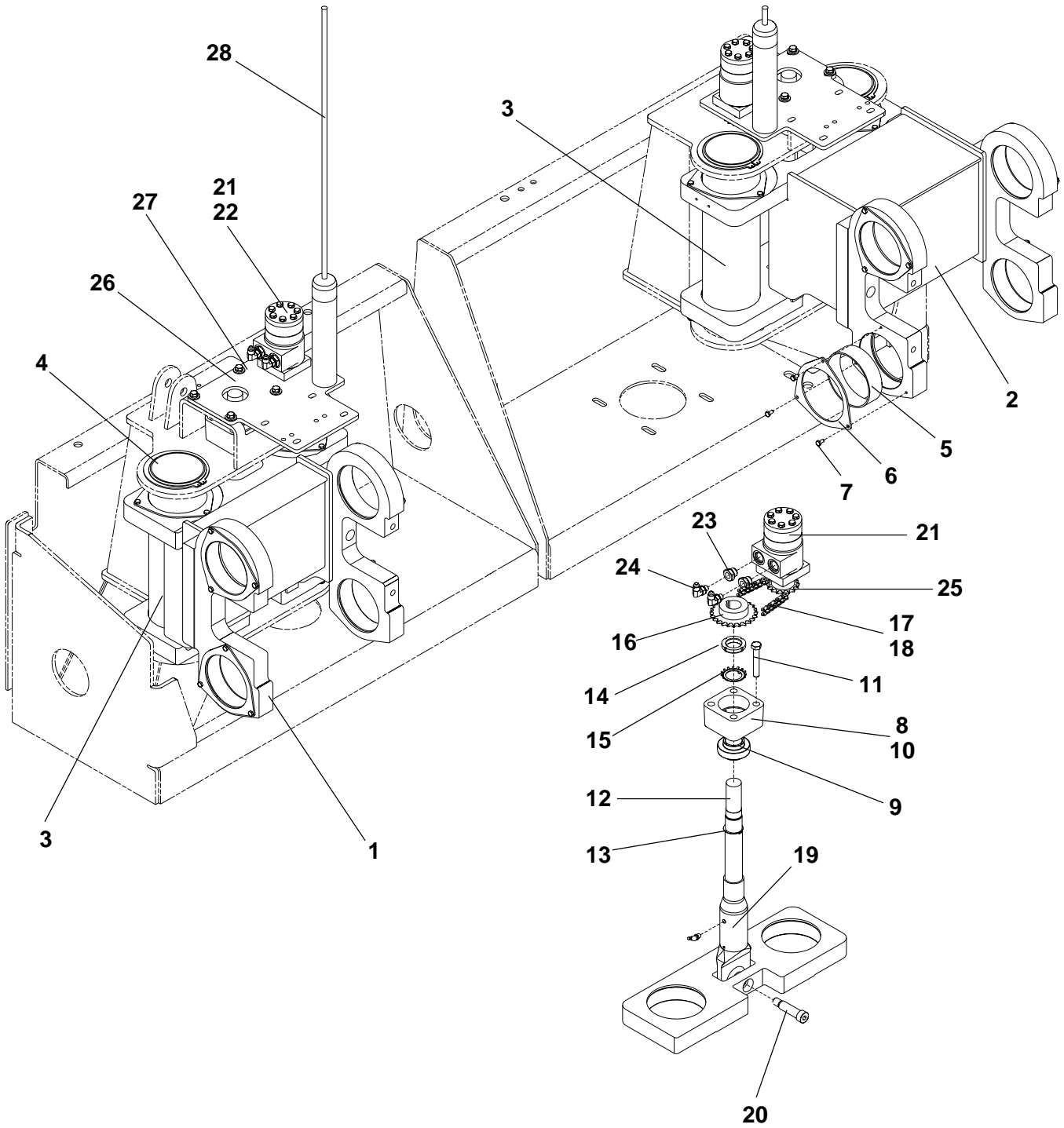


Ref. No.	Part Number	Description	Quantity
1	9704-561-15	Rod End, Left Hand Threads	2
2	9704-561-14	Rod End, Right Hand Threads	2
3	9704-567-32	Turnbuckle, Crown Adjust	2
4	7455-018	Shoulder Screw, 3/4" x 2-1/4"	4
5	7453-603	Washer, Bellville 3/4"	16
6	45890-102-29	Locknut, 5/8"	4
7	1383A40D	Sprocket, Adjusting	2
8	4460-214-02	Collar, Shaft	1
9	45890-750-08	Pin, Quick Release	2
10	7383-069	Capscrew, 1/2" x 1-1/4"	4
11	45890-102-28	Locknut, 1/2"	4
12	50005-020	Chain, #40 Roller	4..2'
13	50005-020-03	Link, #40 Chain	1
14	45500-750-11	Wrench, Crown Adjusting	1
15	7383-047	Capscrew, 3/8" x 3-1/4"	2
	7012-025	Hex Nut, 3/8"	2
	7056-011	Wing Nut, 3/8"	2
16	9704-563-60	Flat, Crown Indicator	2
17	9704-553-73	Spacer	4
18	9704-558-57	Pointer, Main Screed Crown	1

Note: Certain replacement parts may also be available in kit form.  
Please consult with Cedarapids Product Support for additional information.

**Return to Table  
of Contents Page**

### Vertical Adjusting Parts





**Return to Table  
of Contents Page**



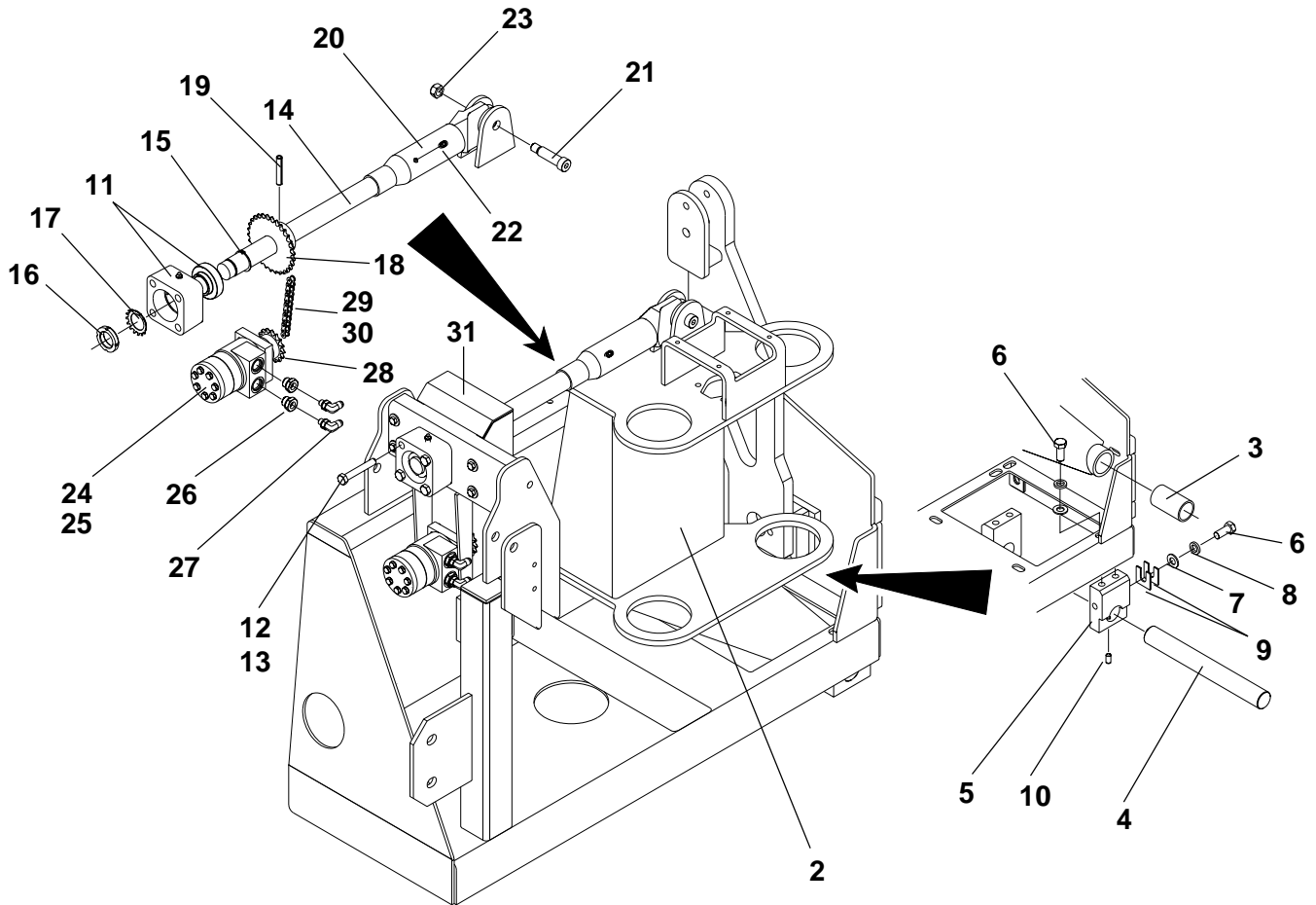
## Vertical Adjusting Parts

Ref. No.	Part Number	Description	Quantity
1	9704-572-93	Box, Vertical Adjust - Left Hand	1
2	9704-572-92	Box, Vertical Adjust - Right Hand	1
3	9704-572-65	Tube, Vertical	4
4	7253-084	Retaining Ring	8
5	45134-003-05	Bearing	16
6	9704-557-45	Retainer, Bearing	16
7	7383-002	Capscrew, 1/4" x 1/2"	48
	4431-721-02	Bearing, Screed Adjusting Screw - Complete	2
8	4431-721-01	Housing, Bearing	2
9	7041-026	Ball Bearing	2
10	7051-001	Grease Fitting, 1/8"	2
11	7383-076	Capscrew, 1/2" x 3"	8
12	9704-565-68	Shaft, Vertical Adjust	2
13	7253-040	Retaining Ring	2
14	7030-008	Locknut, SKF	2
15	7033-008	Lockwasher	2
16	45065-003-74	Sprocket, Shaft	2
	40801-001-50	Key, 5/16" Square	2
	7131-052	Setscrew, 1/4" x 3/4"	4
17	50005-020	Chain, #40	1.9'
18	50005-020-03	Link, #40 Chain	2
19	9704-565-62	Link, Shaft - Right Hand ACME	2
20	7455-018	Screw, Shoulder 3/4" x 2-1/4"	2
21	45080-006-01	Hydraulic Motor - Eaton	2
	45080-006-01-01	Seal Kit (For above motor)	As Req
22	7383-039	Capscrew, 3/8" x 1-1/4"	8
	7014-018	Washer, 3/8"	8
	7014-003	Lockwasher, 3/8"	8
23	45720-775-56	Reducer, Fitting	4
24	7430-275	Elbow, 3/8" 90° with O-Ring	4
	45259-508-13	O-Ring (for above fitting)	As Req
25	45065-003-53	Sprocket, Motor	2
26	9704-572-91	Mount, Motor & Valve	2
27	7383-039	Capscrew, 3/8" x 1-1/4"	8
	7014-018	Washer, 3/8"	8
	7014-003	Lockwasher, 3/8"	8
28	45191-508-03	Support, Hose & Spring	2

Note: Certain replacement parts may also be available in kit form.  
Please consult with Cedarapids Product Support for additional information.

**Return to Table  
of Contents Page**

### Tipping Frames



Note: Right hand assembly shown.  
Left hand equal & opposite.

**Return to Table  
of Contents Page**



## Tipping Frames

Ref. No.	Part Number	Description	Quantity
1	9704-572-51	Frame, Rear Screed - Left Hand	1
2	9704-572-50	Frame, Rear Screed - Right Hand	1
3	7254-019	Bearing	4
4	9704-572-89	Shaft, Pivot	2
5	9704-572-66	Block, Pivot - Tipping Frame	4
6	7383-117	Capscrew, 3/4" x 1-3/4"	12
7	7097-015	Washer, Flat	12
8	7014-009	Lockwasher, 3/4"	12
9	5202-500-38	Strip	12
10	7131-104	Set Screw, 1/2" x 1"	4
11	4431-721-02	Bearing, Screed Adjust - Complete	2
	4431-721-01	Housing, Bearing	As Req
	7041-026	Ball Bearing	As Req
	7051-001	Grease Fitting, 1/8"	As Req
12	7383-077	Capscrew, 1/2" x 3-1/4"	8
13	45890-102-28	Locknut, 1/2"	8
14	9704-572-71	Shaft, Slope Adjust	2
15	7253-040	Retaining Ring	2
16	7030-008	Locknut, SKF	2
17	7033-008	Lockwasher	2
18	1383A30C	Sprocket, Shaft	2
19	7238-170	Roll Pin	2
20	9704-565-64	Link, Right Hand ACME	2
21	7455-018	Screw, Shoulder 3/4" x 2-1/4"	2
22	7051-002	Grease Fitting, 45° 1/8"	2
23	45890-102-29	Locknut, 5/8"	2
24	45080-006-01	Hydraulic Motor - Eaton	2
	45080-006-01-01	Seal Kit (For above motor)	As Req
25	7383-038	Capscrew, 3/8" x 1"	8
	7014-003	Lockwasher, 3/8"	8
	7014-018	Washer, 3/8"	8
26	45720-775-56	Reducer Fitting	4
27	7430-275	Elbow, 90° 3/8"	4
28	45065-003-53	Sprocket, Motor	2
29	50005-020	Chain, #40	5'
30	50005-020-03	Link, Connector #40	2
31	9704-573-14	Guard, Power Slope	2

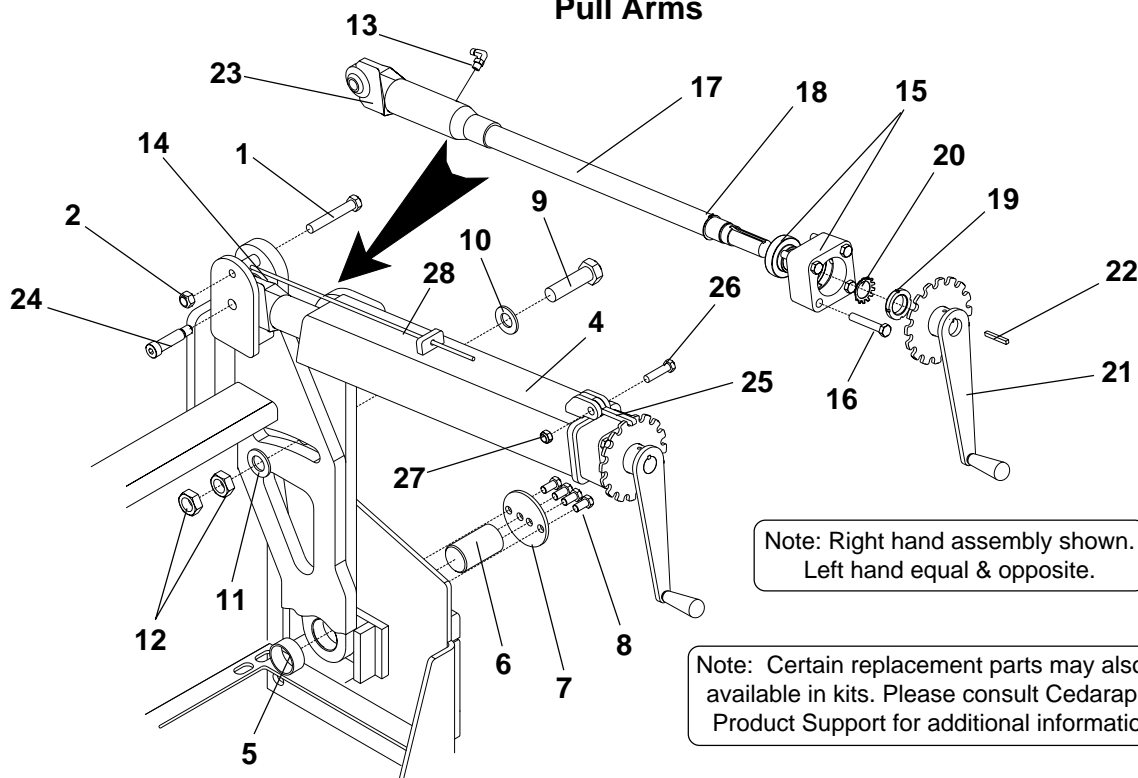
Note: Certain replacement parts may also be available in kit form.

Please consult with Cedarapids Product Support for additional information.

**Return to Table  
of Contents Page**



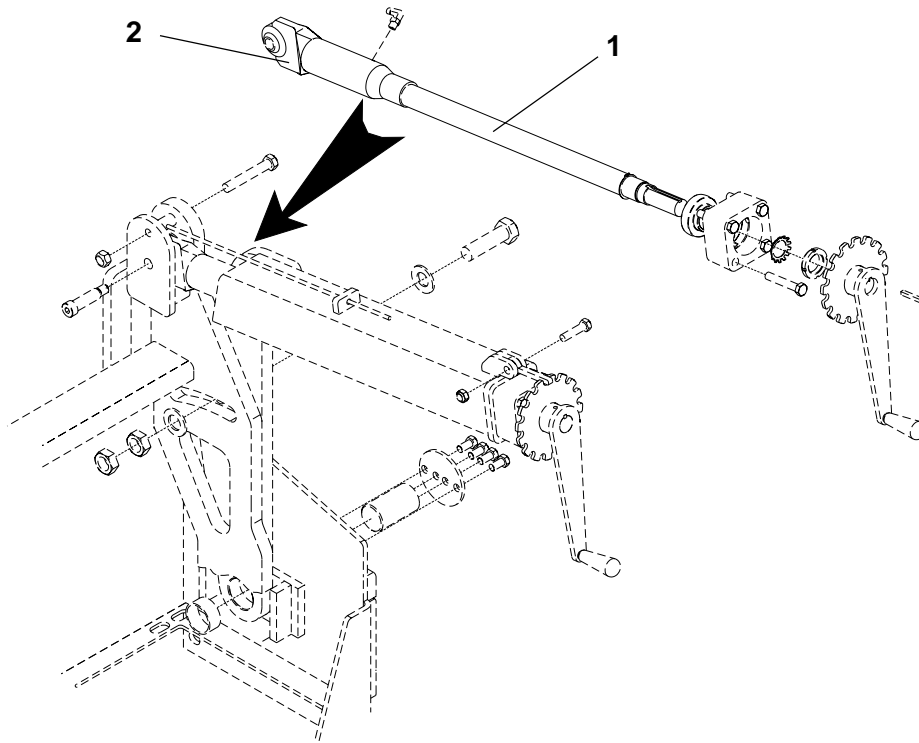
**Pull Arms**



Ref. No.	Part Number	Description	Quantity
1	7383-110	Capscrew, 5/8" x 4"	2
2	45890-102-29	Locknut, 5/8"	2
3	9704-583-67	Pull Arm, Left Hand	1
4	9704-583-68	Pull Arm, Right Hand	1
5	45134-002-85	Bearing, Pivot	2
6	9704-563-86	Pin, Pivot - Pull Arm	2
7	9704-572-68	Cap, Pivot - Pull Arm	2
8	7383-068	Capscrew, 1/2" x 1"	8
9	7383-159	Capscrew, 1" x 3-1/2"	2
10	7453-251	Washer, 1" Bevel	2
11	7465-005	Washer, 1" Flat	2
12	7017-032	Hex Nut, 1" Jam	4
13	7051-004	Grease Fitting, 90° 1/8"	2
14	7014-023	Washer, 3/4"	4
15	4431-721-02	Bearing, Screed Adjust - Complete	2
	4431-721-01	Housing, Bearing	As Req
	7041-026	Ball Bearing	As Req
	7051-001	Grease Fitting, 1/8"	As Req
16	7383-076	Capscrew, 1/2" x 3"	8
17	Reference	Shaft, RH or LH Mat Thickness - (See Form 22359 or 22360)	2
18	7253-040	Retaining Ring	2
19	7030-008	Lock Nut, SKF	2
20	7033-008	Lockwasher	2
21	9704-569-62	Crank	2
22	40800-002	Key, 1/4" x 2"	2
23	Reference	Link, RH or LH ACME - (See Form 22359 or 22360)	2
24	7455-018	Screw, Shoulder 3/4" x 2-1/4"	2
25	9704-568-84	Flat, Locking	2
26	7383-072	Capscrew, 1/2" x 2"	2
27	45890-102-28	Locknut, 1/2"	2
28	9704-572-70	Indicator, Mat Thickness	2

**Return to Table  
of Contents Page**

**Shaft and Link - Pull Arms**

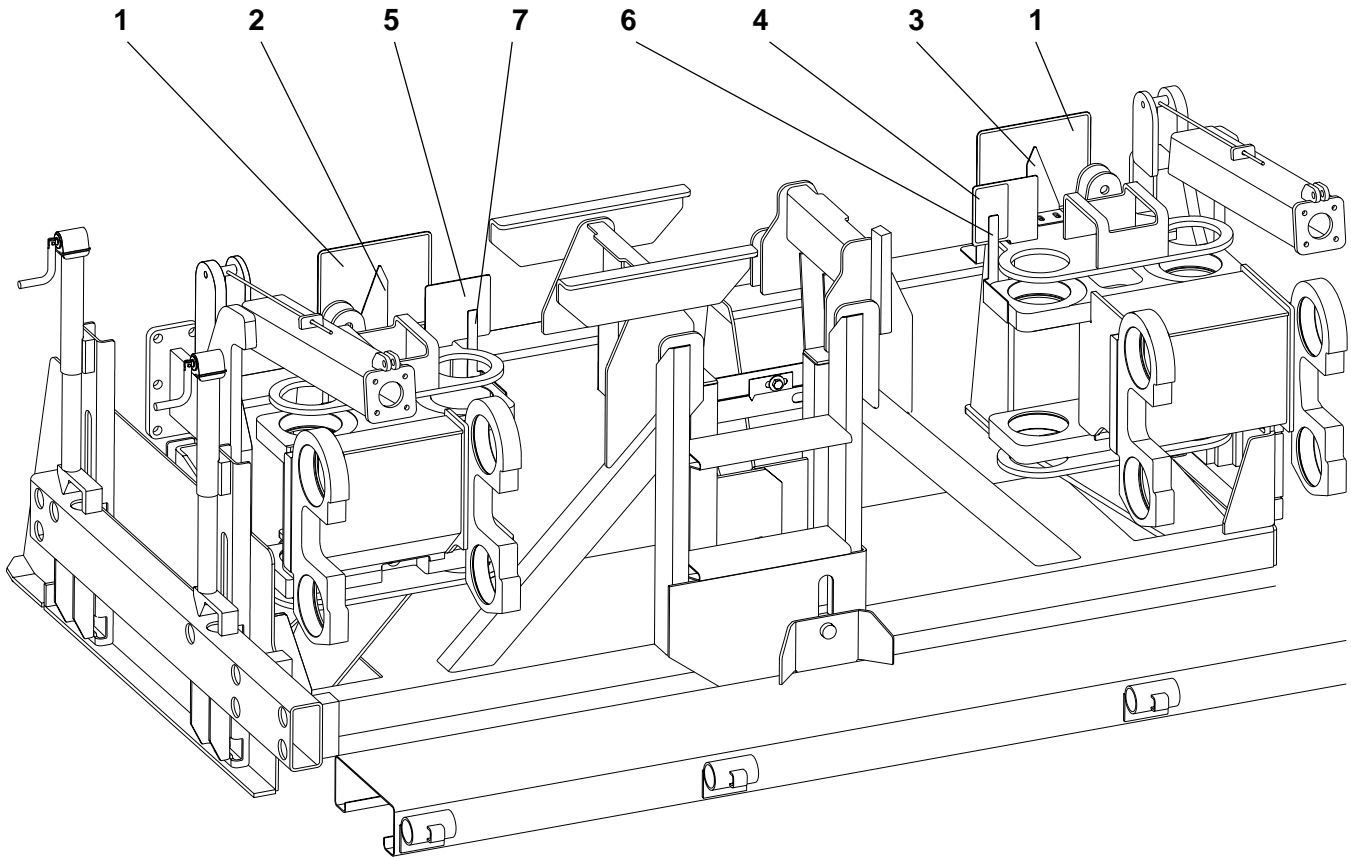


Ref. No.	Part Number	Description	Quantity
1	9704-572-43	Shaft, Mat Thickness - R. H. Threads ( <i>Standard Rotation</i> )	2
2	9704-565-64	Link, Right Hand ACME ( <i>Standard Rotation</i> )	2

Note: Certain replacement parts may also be available in kit form.  
Please consult with Cedarapids Product Support for additional information.

**Return to Table  
of Contents Page**

## Indicators & Miscellaneous Parts



Ref. No.	Part Number	Description	Quantity
1	9704-574-18	Support, Slope Gauge	2
2	9704-574-17	Pointer, Slope Gauge - Left Hand	1
3	9704-574-16	Pointer, Slope Gauge - Right Hand	1
4	9704-574-20	Bracket, Match Height - Right Hand	1
5	9704-574-21	Bracket, Match Height - Left Hand	1
6	9704-574-22	Pointer, Match Height - Right Hand	1
7	9704-574-23	Pointer, Match Height - Left Hand	1
8	45500-036-16	Gauge, Strike Off Adjust ( <i>Not Shown</i> )	1

Note: Certain replacement parts may also be available in kit form.  
Please consult with Cedarapids Product Support for additional information.

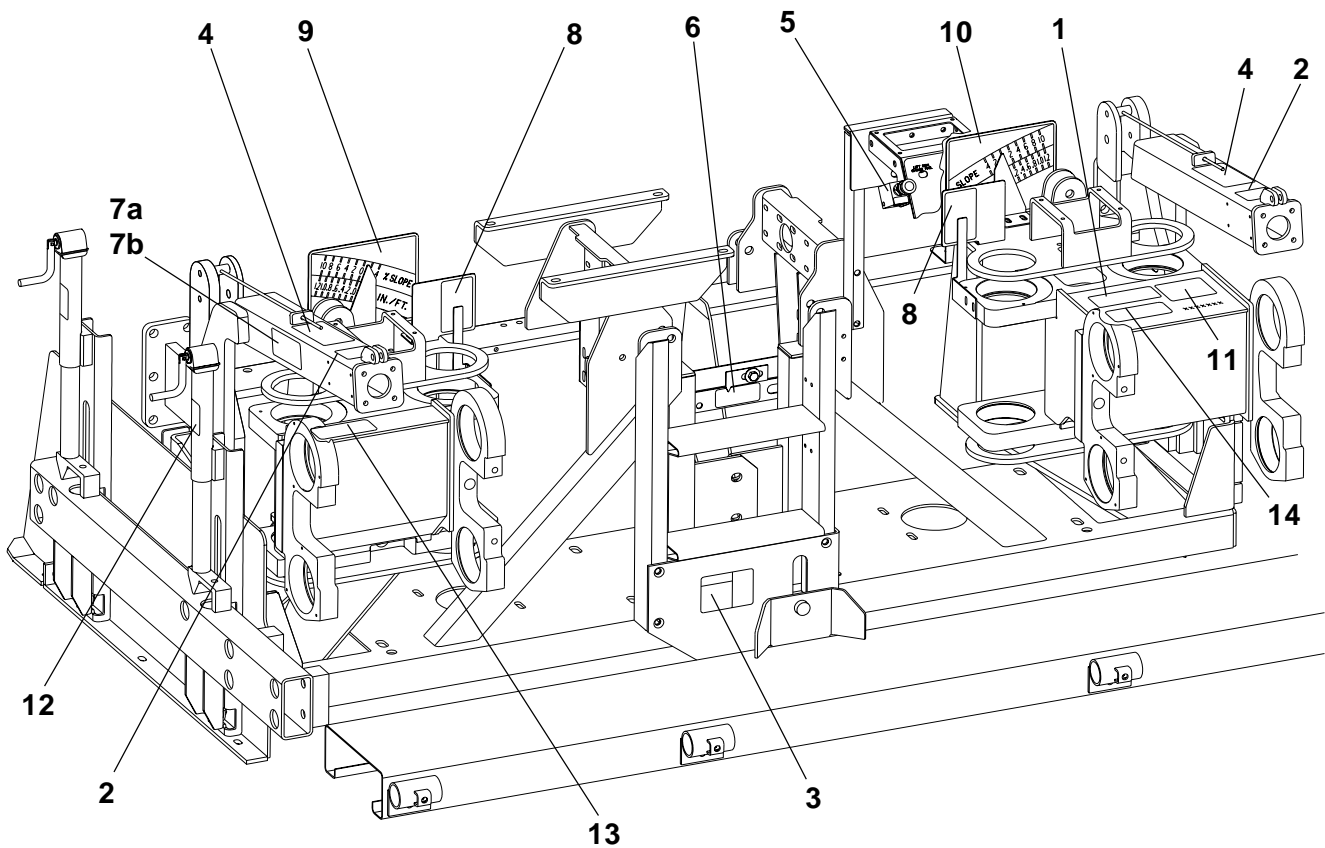






**Decals & Accessories**

Parts List No. 5037PSQ

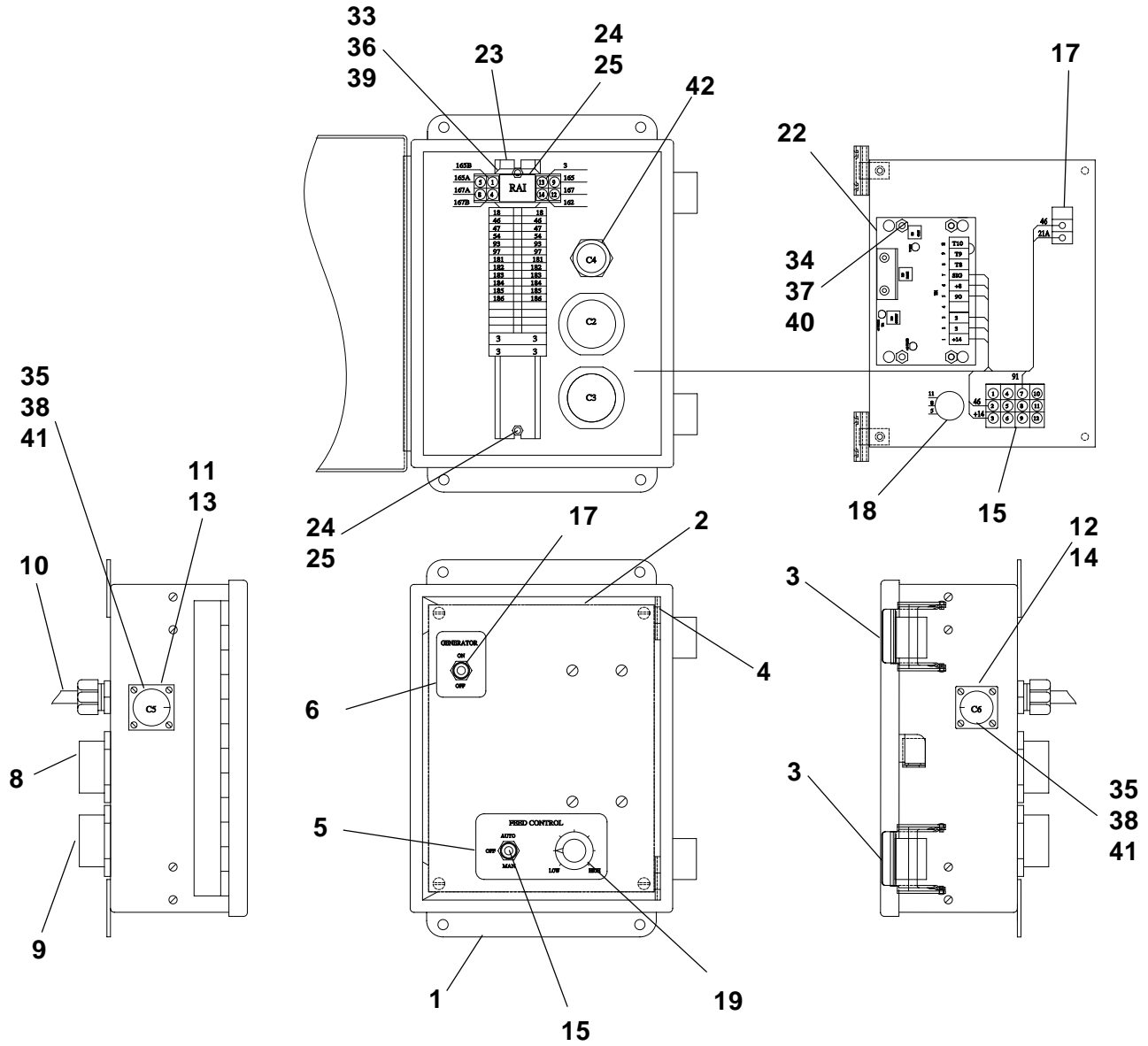


Ref. No.	Part Number	Description	Quantity
1	4418-278	Emblem, Engine Off (Newer screeds use item 13 only)	1
2	4418-503	Emblem, Material Thickness	2
3	4491-013	Emblem, Crushing Hazard	1
4	4418-535	Gauge, Mat Thick-Thin	2
5	4418-591	Emblem, Vibrator Speed	1
6	4418-600	Emblem, Crown	1
7a	4418-781	Emblem, Model (Stretch 16 Only)	2
7b	4418-780	Emblem, Model (Stretch 18 Only)	2
8	4418-786	Decal, Match Height Gauge	2
9	4418-787	Decal, Left Slope Gauge	1
10	4418-788	Decal, Right Slope Gauge	1
11	4418-760	Emblem, Screed I.D.	1
12	4418-823	Emblem, End Gate	4
13	4491-020	Emblem, Lockout/Tagout (Older screeds use item 1 only)	1
14	4418-822	Emblem, Right Controls (Not supplied on newer screeds)	1
15	4491-004	* Diagram, Hydraulic Stretch Screed	1
16	4495-007	* Diagram, Generator Circuit (Supplied on electric screeds only)	1
17	4494-104-45	* Emblem, Award Winning (Supplied on newer screeds only)	2

\* Items not identified on the illustration.



**Screed Control Box**



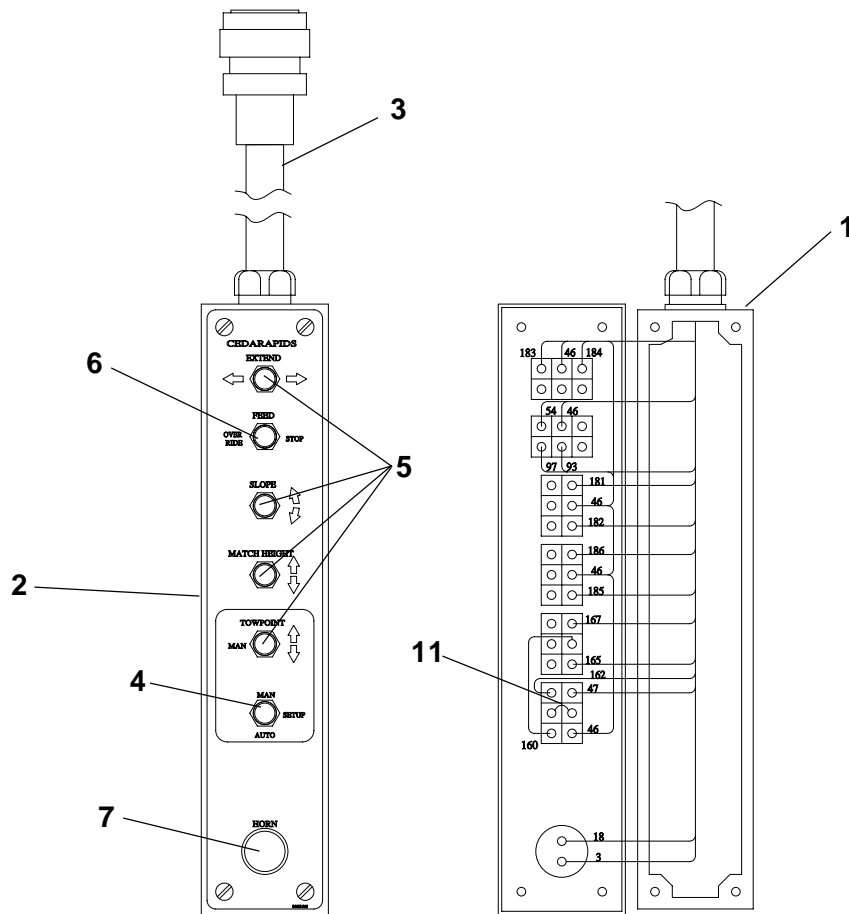


## Screed Control Box

Parts List No. 05037PSJ

Ref. No.	Part Number	Description	Quantity
	9704-611-65	Left-Hand Screed Control (Not Shown)	1
	9704-611-66	Right-Hand Screed Control	1
1	{ 9704-611-75	Enclosure, Left-Hand Screed Control (Not Shown)	1
	{ 9704-611-76	Enclosure, Right-Hand Screed Control	1
2	9704-611-77	Panel, Stretch 16 Component	1
3	46200-514-17	Clamp, Quick Release	2
4	46200-513-97	Hinge, Kit	1
5	4494-105-09	Emblem, Feed Control	1
6	4418-878	Emblem, Generator	1
8	{ 9704-616-56	Receptacle, Right-Hand Remote Stretch 16	1
	{ 9704-616-55	Receptacle, Left-Hand Remote Stretch 16 (Not Shown)	1
9	{ 9704-616-54	Receptacle, Right-Hand Harness	1
	{ 9704-616-53	Receptacle, Left-Hand Harness (Not Shown)	1
10	{ 9704-616-58	Cable, Right-Hand Feed Stretch 16	1
	{ 9704-616-59	Cable, Left-Hand Feed Stretch 16 (Not Shown)	1
11	{ 9704-615-86	Receptacle, Right-Hand Auto	1
	{ 9704-615-85	Receptacle, Left-Hand Auto (Not Shown)	1
12	{ 9704-616-60	Receptacle, Right-Hand Feed Sensor, Stretch 16	1
	{ 9704-616-61	Receptacle, Left-Hand Feed Sensor, (Not Shown)	1
13	46061-500-32	Cap, Chain	1
14	46313-002-27	Cap and Chain	1
15	46200-009-61	Switch, Toggle 4P	1
17	46200-009-06	Switch, Toggle SPST	1
18	46061-100-31	Potentiometer, 200 OHM 2.25w	1
19	46061-550-11-01	Control Dial	1
22	46061-100-22	Circuit Board, Feed Control	1
23	46050-507-09	Rail, Din 35MM x 7.5MM	0.7 ft
24	46015-001-48	Socket, DPDT Din Rail	1
25	46325-002-50	Relay, DPDT 12v DC, 10 AMP	1
33	7504-050	Screw, #8-32 x 3/8", Binding Head	2
34	7504-037	Screw, #6-32 x 1/2", Binding Head	4
35	7504-007	Screw, #4-40 x 1/2", Binding Head	8
36	7438-022	Washer, #8 SHKP LK SINT	2
37	7438-021	Washer, #6 SHKP LK SINT	4
38	7438-019	Washer, #4 SHKP LK SINT	8
39	7440-008	Hex Nut, #8 NC	2
40	7440-007	Hex Nut, #6 NC	12
41	7440-005	Hex Nut, #4 NC	8
42	46026-016-01	Locknut, 1/2"	1

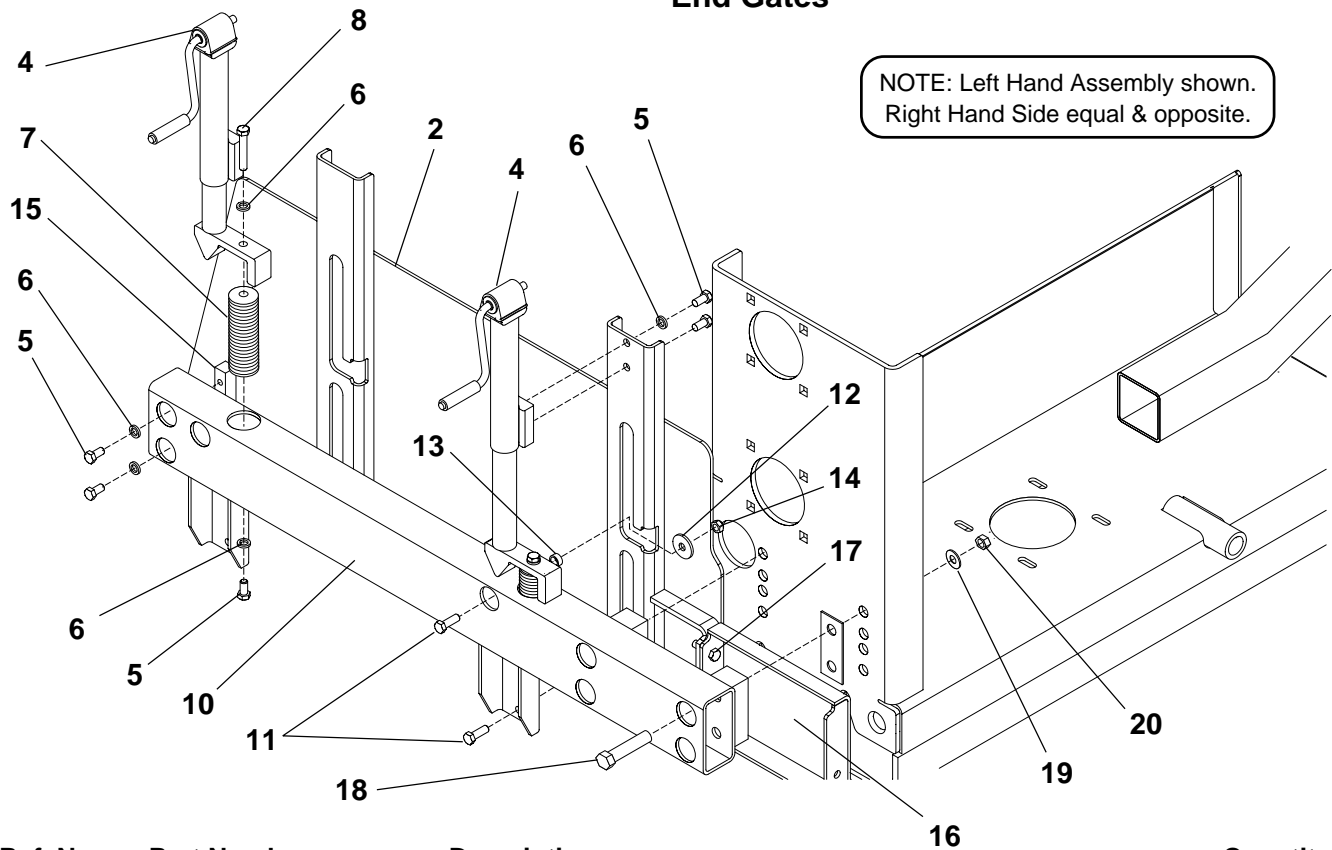
**Screed Remote Control Box**  
Parts List No. 05037PSJ



Ref. No.	Part Number	Description	Quantity
	9704-611-69	Remote Control, Left-Hand Screed, Complete	1
	9704-611-70	Remote Control, Right-Hand Screed, Complete (Not Shown)	1
1	9704-611-33	Box, Extension	1
2	4494-105-07	Emblem, Left-Hand Control	1
	4494-105-08	Emblem, Right-Hand Control (Not Shown)	1
3	9704-616-51	Cable, Left-Hand Control	1
	9704-616-52	Cable, Right-Hand Control (Not Shown)	1
4	46200-009-64	Toggle Switch	1
5	46200-009-21	Toggle Switch	4
6	46200-009-51	Toggle Switch	1
7	46200-010-07	Switch, Pushbutton with Cover	1
11	46260-501-03	Jumper, Terminal Block	1

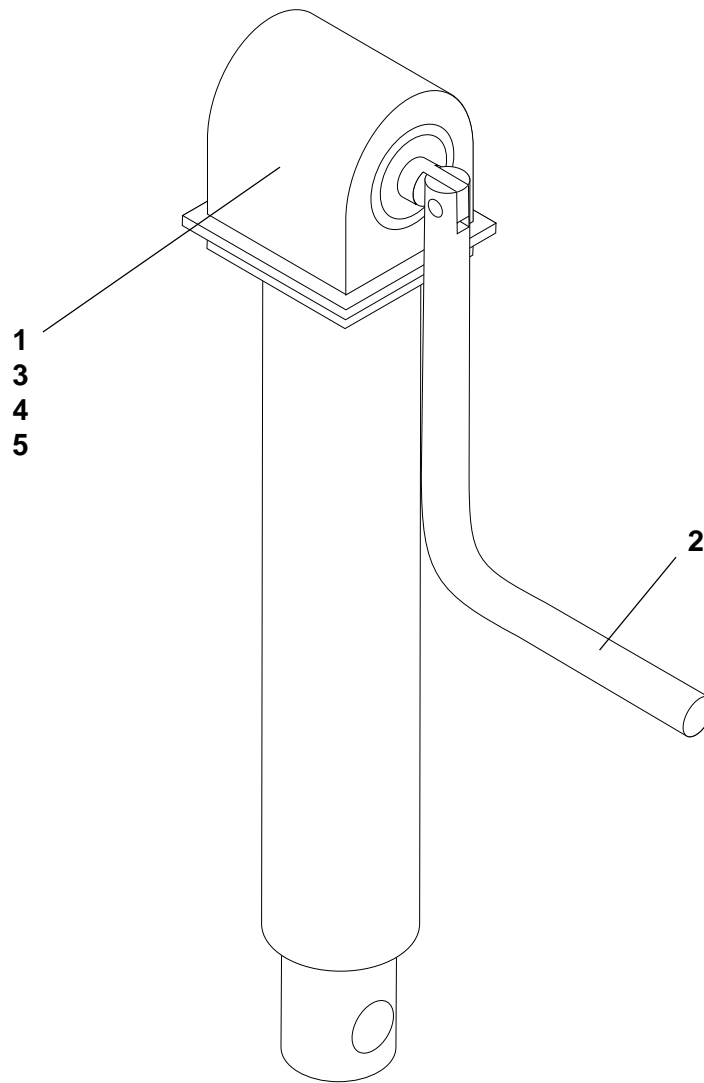


**End Gates**



Ref. No.	Part Number	Description	Quantity
-	9704-584-07	End Gate Kit - Complete	-
1	9704-574-24	End Gate, Right Hand (Not Shown)	1
2	9704-574-25	End Gate, Left Hand	1
3	9704-577-78	Jack, Right Hand (Not Shown)	2
4	9704-577-77	Jack, Left Hand	2
	45500-033-77	Jack, Side Wide (Per Jack) - See Form 22297	1
	9704-574-47	Mount, Jack - Quantity for One Jack	1
	9704-574-48	Block, Spring - Quantity for One Jack	1
5	7383-068	Capscrew, 1/2" NC x 1"	16
6	7014-005	Lockwasher, 1/2"	20
7	9704-574-37	Spring	4
8	7285-005	Adjusting Bolt, 1/2" NC x 3"	4
9	9704-574-26	Support, End Gate - Right Hand (Not Shown)	1
10	9704-574-27	Support, End Gate - Left Hand	1
11	7383-070	Capscrew, 1/2" NC x 1-1/2"	8
12	9700-459	Washer	8
13	9704-555-07	Spacer, Standoff	8
14	45890-102-28	Locknut, 1/2"	8
15	9704-574-38	Retainer, Block	2
16	9704-577-91	Bracket, Bleed Out	2
	7383-071	Capscrew, 1/2" NC x 1-3/4"	4
17	{ 7014-005	Lockwasher, 1/2"	4
	{ 7012-027	Hex Nut, 1/2" NC	4
18	7383-125	Capscrew, 3/4" NC x 3-3/4"	8
19	7014-023	Washer, 3/4"	8
20	45890-102-26	Hex Nut, 3/4" Self Locking	8
21	4418-823	Emblem, End Gate (Not Shown)	4

**End Gate Jack**



Ref. No.	Part Number	Description	Quantity
	45500-033-77	End Gate Jack - Complete	1
1	45500-033-77-01	Cover Replacement Kit	As Req
2	45500-033-77-02	Handle, Jack	As Req
3	45500-033-77-03	Gear	As Req
4	45500-033-77-04	Roll Pin	As Req
5	45500-033-77-05	Gear Kit	As Req

NOTE: See End Gates parts list for total number of Jacks required.



**Return to Table  
of Contents Page**



**Table of Contents**

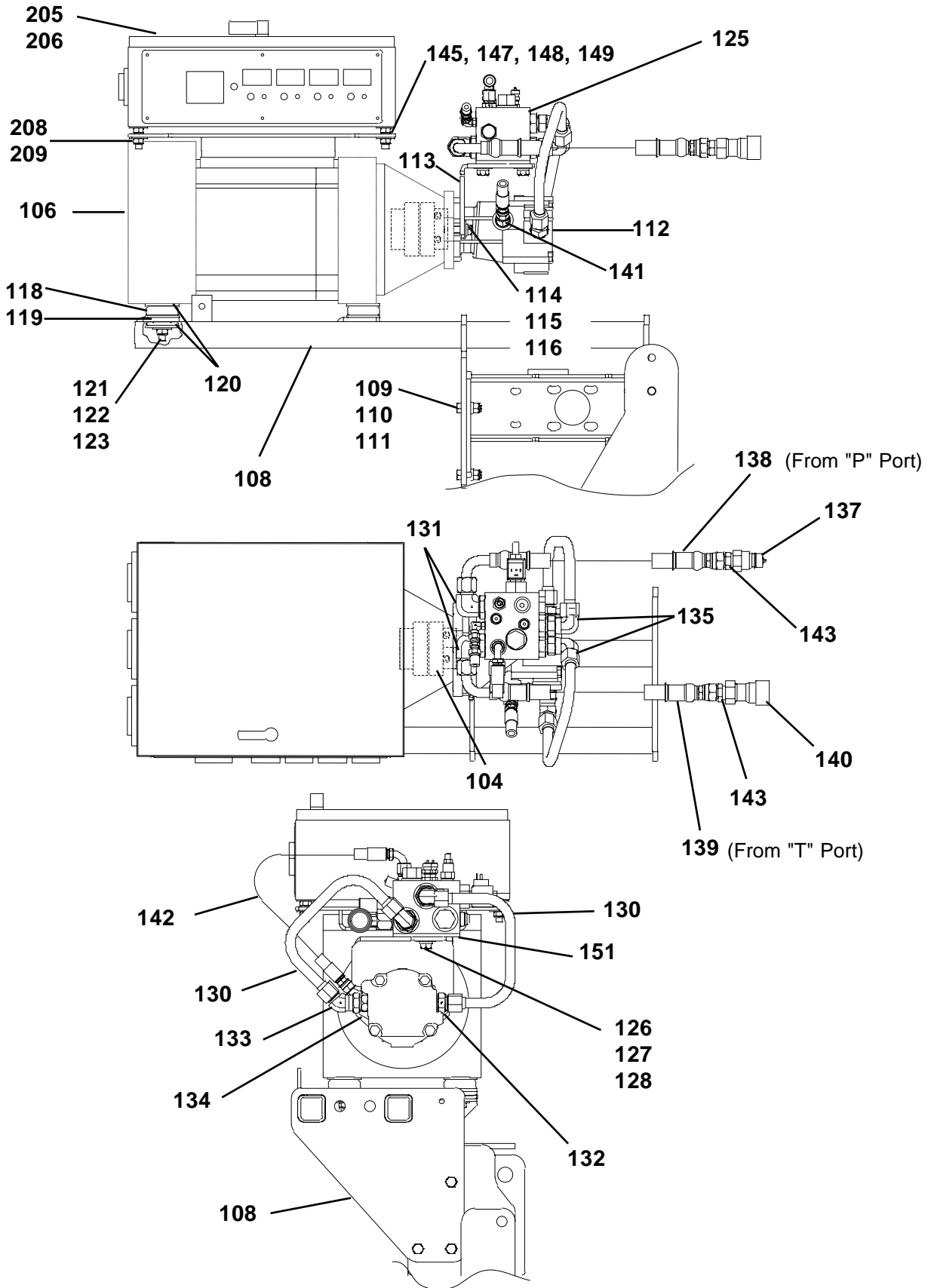
**Generator Drive Components - 05037PSL**

<b>Ref No.</b>	<b>Description</b>	<b>Page No.</b>
<u>1</u>	<u>Generator Drive and Plumbing - Illustration</u>	<u>2</u>
<u>2</u>	<u>Generator Drive and Plumbing - Parts List</u>	<u>3</u>
<u>3</u>	<u>Heat Control Box - Illustration</u>	<u>4</u>
<u>4</u>	<u>Heat Control Box - Parts List</u>	<u>5</u>

**Return to Table  
of Contents Page**



### Generator Drive & Plumbing



**Return to Table  
of Contents Page**



## Generator Drive & Plumbing

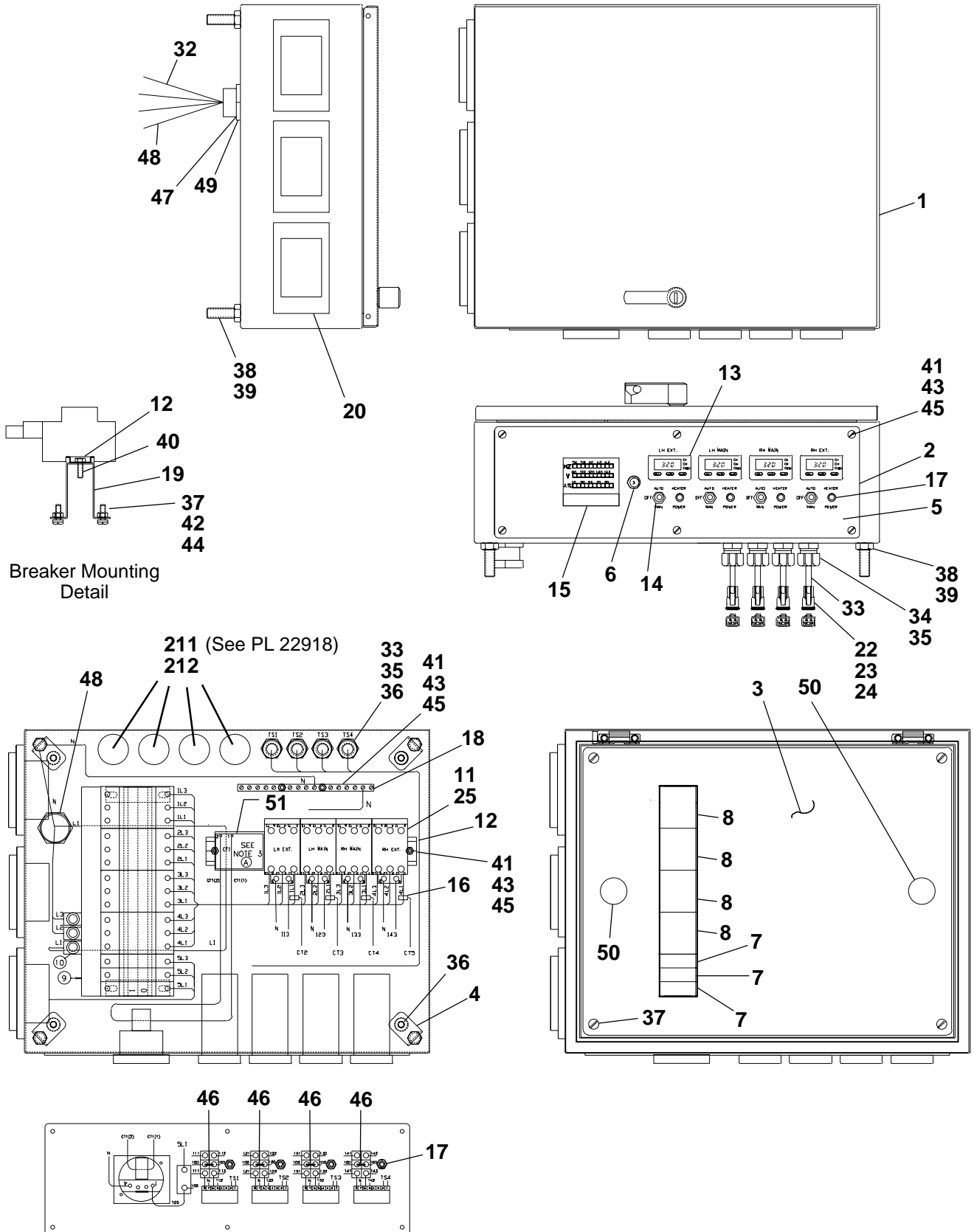
Parts List No. 5037PSL

Ref. No.	Part Number	Description	Quantity
104	45479-004-30	Coupling	1
106	46150-003-17	Generator, 20KVA 120/208V	1
108	9704-584-58	Mount, 20KW Generator	1
109	7014-005	Lockwasher, 1/2"	6
110	7383-070	Capscrew, 1/2" NC X 1-1/2"	2
111	07012027	Hex Nut, 1/2" NC	6
112	45080-006-09	Motor, Hydraulic - 2.14 CID	1
113	9704-661-93	Bracket, Generator Valve	1
114	7383-071	Capscrew, 1/2" NC X 1-3/4"	2
115	7014-005	Lockwasher, 1/2"	2
116	7014-020	Washer, 1/2"	2
118	45905-017-04	Mount, Engine	4
119	7097-019	Washer, 1-1/4" SAE	4
120	2833-B17C	Washer, 1/2"	8
121	7383-077	Capscrew, 1/2" NC X 3-1/4	4
122	7014-020	Washer, 1/2"	4
123	45890-102-28	Locknut, 1/2"NC	4
125	9704-662-47	Valve, Assembly Load Sense Pump	1
126	7383-070	Capscrew, 1/2" NC X 1-1/2"	2
127	7014-005	Lockwasher, 1/2"	2
128	7014-020	Washer, 1/2"	2
130	9704-661-94	Tube Assembly, Gen Valve Motor	2
131	7430-378	Elbow, 1-5/16" SAE 3/4" JIC	1
132	7430-263	Connector 1-1/16" SE 3/4" J	1
133	70430-427	Fitting, 3/4" JIC Swivel	1
134	45252-010-33	Check Valve	1
135	7430387	Elbow, 3/4" Swivel Nut	2
137	45191-504-30	Coupler, Male 3/4"FPT	1
138	7683-056-35	Hose Assembly	1
139	7653-054-35	Hose Assembly	1
140	45191-504-31	Coupler, Female 3/4" FPT	1
141	7430-315	Elbow, 7/8" SAE 1/2" JIC	1
142	7652-022-35	Hose Assembly, 1/2" ID X 22"	1
143	7430-051	Connector, 3/4" NPT x 3/4" JIC	2
145	9704-584-60	Mount, Generator Control Box	1
147	45890-300-57	Capscrew, M8 x 1.25 x 25MM	4
148	7014-017	Washer, 5/16"	4
149	7014-002	Lockwasher, 5/16"	4
151	9704-662-42	Spacer, Generator Manifold	1
202	Reference	See Electric Heat Control Box, This Section	1
205	9704-616-46	Cable, Heat Sensor S16E	2
206	9704-616-47	Cable, Heat Sensor S16E	2
208	7014-005	Lockwasher, 1/2"	4
209	7012-027	Hex Nut, 1/2" NC	4
211	46026-015-27	Connector, 3/4"	4
212	46026-016-02	Locknut, 3/4"	4
215	45259-508-15	O-Ring, 1-1/16" (For hydraulic fittings)	As Req
216	45259-508-14	O-Ring, 3/4" (For hydraulic fittings)	As Req

**Return to Table of Contents Page**



**Heat Control Box**



**Return to Table  
of Contents Page**



## Heat Control Box

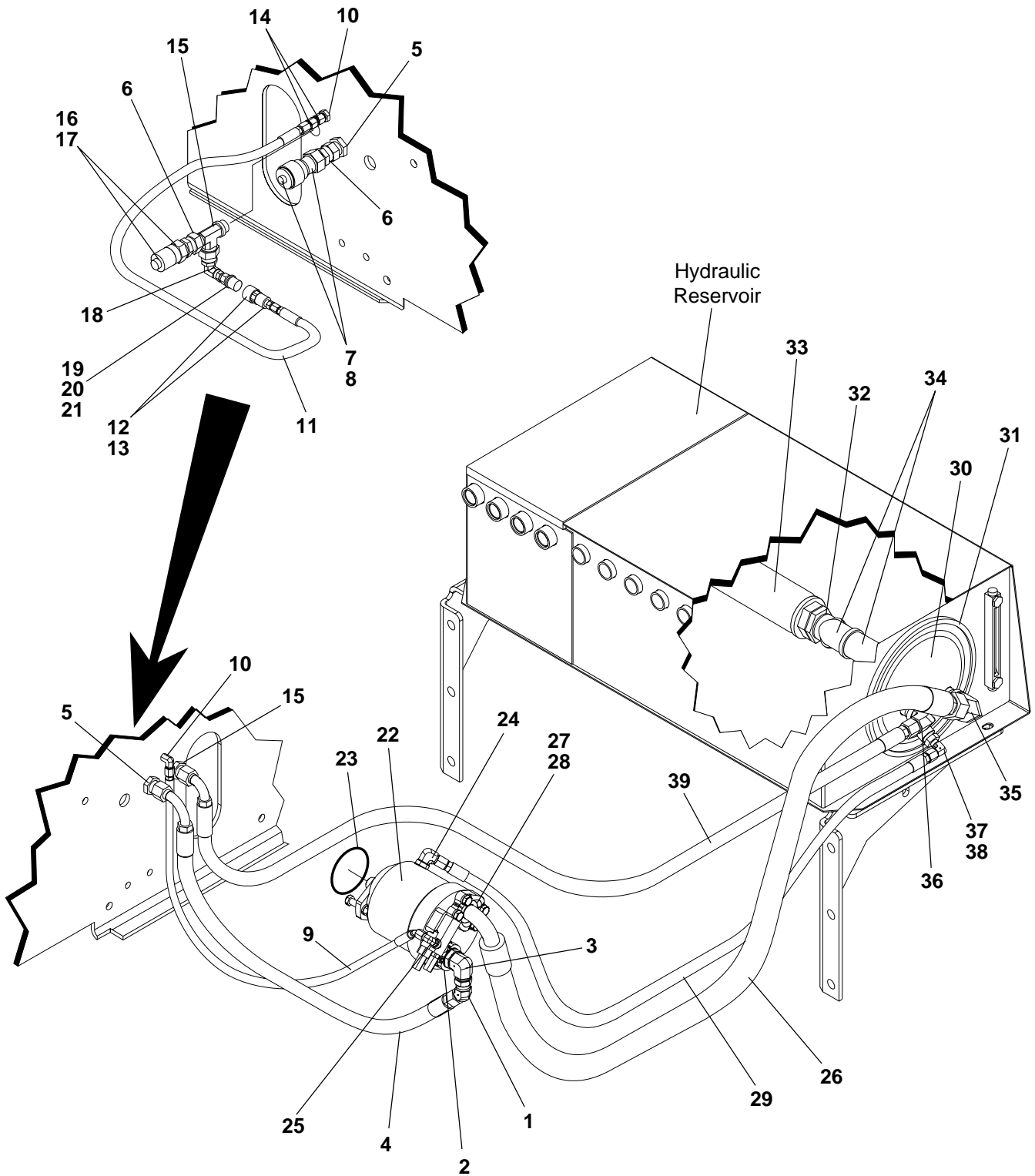
Parts List No. 5037PSL

Ref. No.	Part Number	Description	Quantity
	9704-611-60	Control Box - Complete	1
1	9704-611-59	Box, Elect. Heat	1
2	9704-611-62	Panel, Control S16-20	1
3	9704-611-61	Panel, S16 Electric Heat	1
4	9704-611-54	Stand-Off, Control Panel	4
5	4494-105-05	Emblem, Stretch Screed Elect.	1
6	46165-005-18	Breaker, 3 A-1 Pole	1
7	46165-005-19	Breaker, 20A 1 Pole	3
8	46165-005-21	Breaker, 30A 3 Pole	4
9	46165-508-04	Bus Bar, 18 PIN 3PH	1
10	46165-509-06	Lug, Power Feed	3
11	46050-404-52	Contactor, 37A IEC 3P	4
12	46015-001-39	Track, Din Mounting	1
13	46055-002-18	Controller, Temperature - Reprogrammable	4
14	46200-009-08	Switch, DPDT Toggle	4
15	46225-001-33	Meter, All-In-One	1
16	46225-002-61	Transformer, Remote Current	1
17	46225-002-62	Indicator, Remote Led	4
18	46260-002-07	Ground Bar, 14 CKT Taps	1
19	46260-503-04	Bracket, 2.75" Standoff	2
20	46313-002-74	Cover, Horizontal GFI Outlet	3
21	46313-010-37	Receptacle, 20A Duplex GF	3
22	46313-011-39	Plug, 2 Pin Female	4
23	46313-250-33	Socket, 16-18 AWG	8
24	46313-250-35	Wedge, Lock Socket	4
25	46955-001-53	Suppressor, 12-120 VAC	4
26	56018-003-10	Wire, #10 SIS	15'
27	56018-105-11	Wire, #14 Stranded Red	15'
28	56018-105-12	Wire, #14 Stranded White	15'
29	56018-109-05	Wire, 12 Awg THHN Black	5'
30	56018-109-06	Wire, 12 Awg THHN Green	5'
31	56018-109-07	Wire, 12 Awg THHN White	5'
32	56018-003-12	Wire, 6 Awg Type TFE - Black	12'
33	56020-002-01	Cable, 16/3 SO	12'
34	46026-015-01	Connector, 1/2"	4
35	46026-016-01	Locknut, 1/2"	4
36	45890-100-29	Nut, 1/4" Self-Retaining	4
37	7437-135	Machine Screw, 1/4" NC X 3/4"	8
38	7383-071	Capscrew, 1/2" NC X 1-3/4"	4
39	7017-027	Hex Nut, 1/2" NC JAM	4
40	45890-300-62	Capscrew, M6 X 20 X 1	2
41	7504-069	Machine Screw, #10-32 X 3/4"	10
42	7014-001	Washer, 1/4" Lock	8
43	7438-005	Washer, #10 Shakeproof Lock	10
44	7012-023	Hex Nut, 1/4" NC	4
45	7440-023	Hex Nut, #10 NF	10
46	46260-501-03	Jumper, Terminal Block	4
47	46026-019-03	Nipple, 1" Chase	1
48	56018-003-12	Wire, 6 Awg Type TFE - White	5'
49	46026-016-03	Locknut, 1"	1
50	46000-500-03	Knob, Black Plastic - with Screw	2
51	46245-003-39	Transformer, 100:5 Current	1

Note: All parts available in kit form



### Generator Hydraulic Plumbing



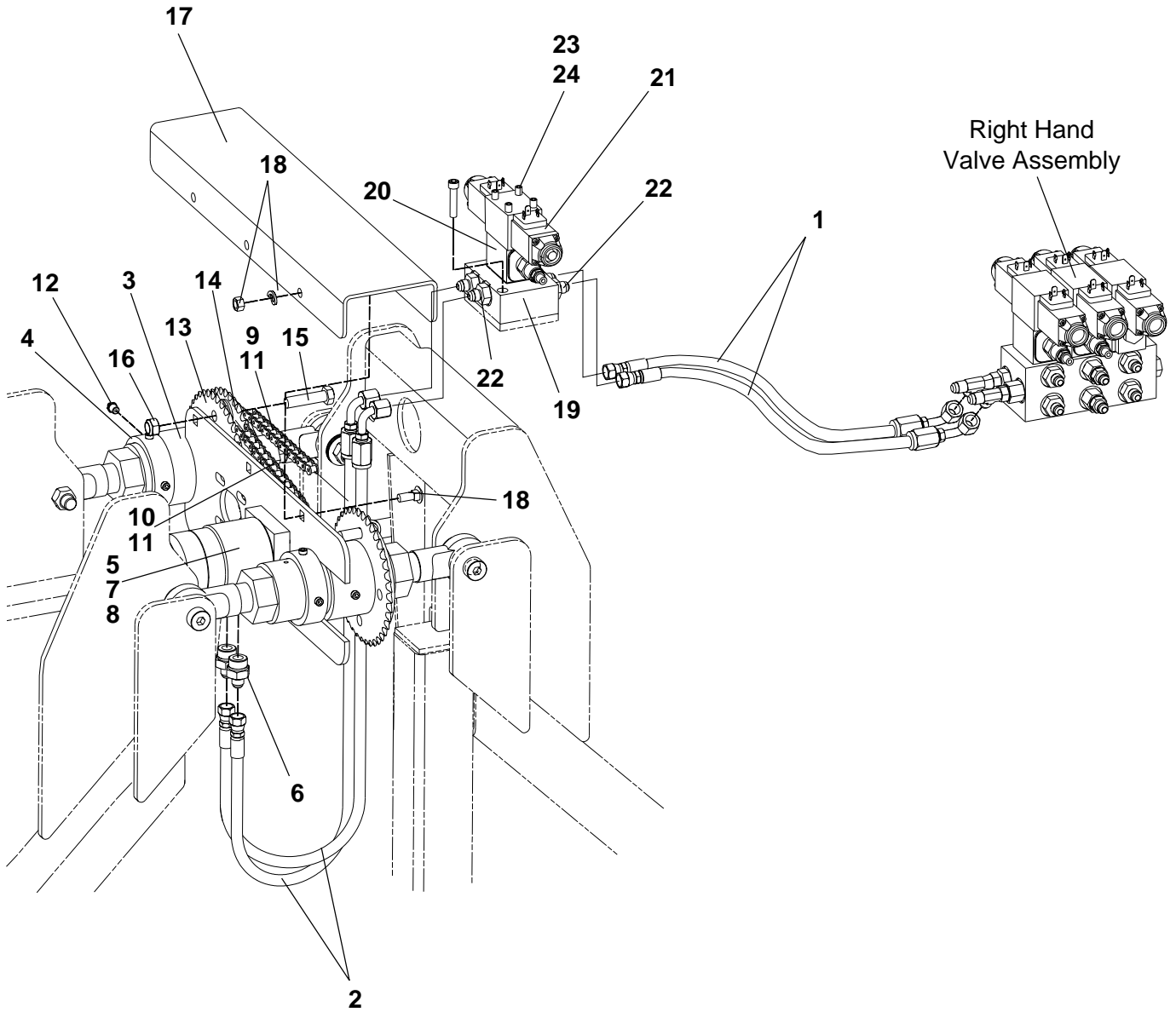
## Generator Hydraulic Plumbing

Parts List No. 5210WFE

Ref. No.	Part Number	Description	Quantity
1	7430-427	Fitting, 45° Swivel 3/4"	1
2	45191-004-96	Flange Kit	1
3	7430--378	Elbow, 90° 3/4" x 1-5/16"	1
4	7683-056-35	Hose Assembly	1
5	7430-369	Union, 3/4" Bulkhead	1
6	7430-435	Connector, 3/4"	2
7	45191-504-31	Coupler, 3/4" Female	1
8	45191-506-03	Dust Plug, 3/4" QD	1
9	7660-062-34-01	Hose Assembly	1
10	7430-379	Elbow, 90° 3/8" Union	1
11	7660-070-33-01	Hose Assembly	1
12	7430-002	Connector, 1/4"	1
13	45191-504-14-01	Coupler, 1/4" QD	1
14	45259-012-03	Fitting, 5/64" Orifice	2
15	7430-438	Tee, 3/4" Bulkhead	1
16	45191-504-30	Coupler, 3/4" Male	1
17	45191-505-04	Dust Cap, 3/4" QD	1
18	45720-776-43	Adapter, 90° 3/4"	1
19	45720-770-21	Nipple, 1/4"	1
20	45191-504-14-02	Nipple, Coupling	1
21	45191-504-14-04	Dust Cap, 1/4"	1
22	45080-002-73	Hydraulic Pump	1
23	45240-125-65	O-Ring Seal	1
24	7430--279	Elbow, 90° 1/2" x 5/8"	1
25	7430-417	Elbow, 90° 7/16" x 3/8"	1
26	7635-096-37-01	Hose Assembly	1
27	45259-508--68	O-Ring Seal	1
28	45191-004-93	Flange Half, 1-1/2"	2
29	7652-096-33	Hose Assembly	1
30	9704-662-18	Cover, Reservoir (Replaces Standard Cover)	1
31	45080-519-16-01	Gasket, Reservoir Cover	1
32	7107-019	Bushing, 2" x 1-1/4"	1
33	450080-510-36	Strainer, 74 Micron	1
34	7061-007	Elbow, 90° 1-1/4"	2
35	7430-099	Elbow, 90° 1-1/4"	1
36	7430-096	Elbow, 90° 3/4"	1
37	45720-769-08	Bushing, Reducer	1
38	7430-021	Elbow, 90° 3/8" x 1/2"	1
39	7653-130-35	Hose Assembly	1



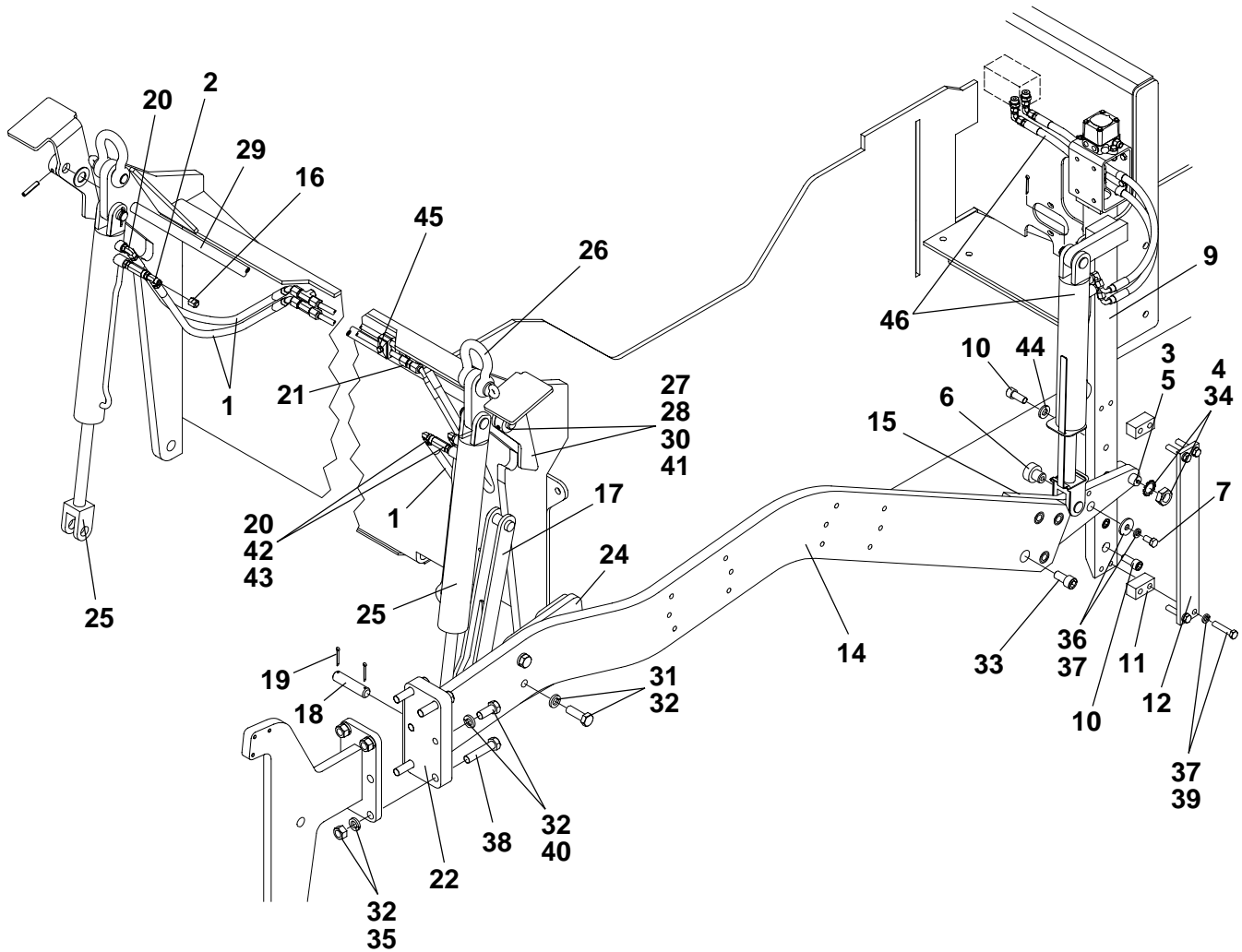
**Power Crown Option**



**Power Crown Option**  
 Parts List No. 05037PSU

Ref. No.	Part Number	Description	Quantity
1	7650-034-35-02	Hose Assembly, Crown Valve to Valve Assembly	2
2	7650-024-35-01	Hose Assembly, Motor to Valve	2
3	9704-569-28	Mount, Power Crown	1
4	4460-214-01	Collar, Shaft	2
5	45080-006-01	Hydraulic Motor	1
6	7430-373	Connector, 3/8" x 7/8" - with O-Ring	2
	45259-508-71	O-Ring (For above fitting)	As Req
7	7383-038	Capscrew, 3/8" NC x 1"	4
	7014-003	Lockwasher, 3/8"	4
	7014-018	Washer, 3/8"	4
8	45065-003-53	Sprocket, Motor	1
9	50005-020	Chain, #40	4.6'
10	50005-020	Chain, #40	3'
11	50005-020-03	Link, Chain #40	2
12	7051-001	Fitting, Grease 1/8"	1
13	1383A40D	Sprocket, Crown - 40T40	1
14	7014-020	Washer, 1/2"	20
15	7383-072	Capscrew, 1/2" NC x 2"	4
16	45890-102-28	Locknut, 1/2" NC	4
17	9704-575-01	Guard, Power Crown	1
18	7072-052	Carriage Bolt, 3/8" NC x 1"	3
	7014-003	Lockwasher, 3/8"	3
	7012-025	Hex Nut, 3/8" NC	3
	9704-662-91	Valve Assembly, Power Crown - Complete	1
19	45252-501-13	Block, Valve	1
20	45252-007-39	Valve, Needle - with O-Ring	1
	45259-508-08	O-Ring (For above valve)	As Req
21	45252-005-53	Valve, Directional Control	1
22	7430-253	Connector, 3/4" x 3/8" - with O-Ring	4
	45259-518-14	O-Ring, 3/4" (For above fitting)	As Req
23	9704-661-98	Bolt Kit, 2.50" - Complete	1
24	Reference Only	Included with above kit	-
25	45191-509-28	Caplug (Not identified on illustration)	4

**Screed Pull Arms**

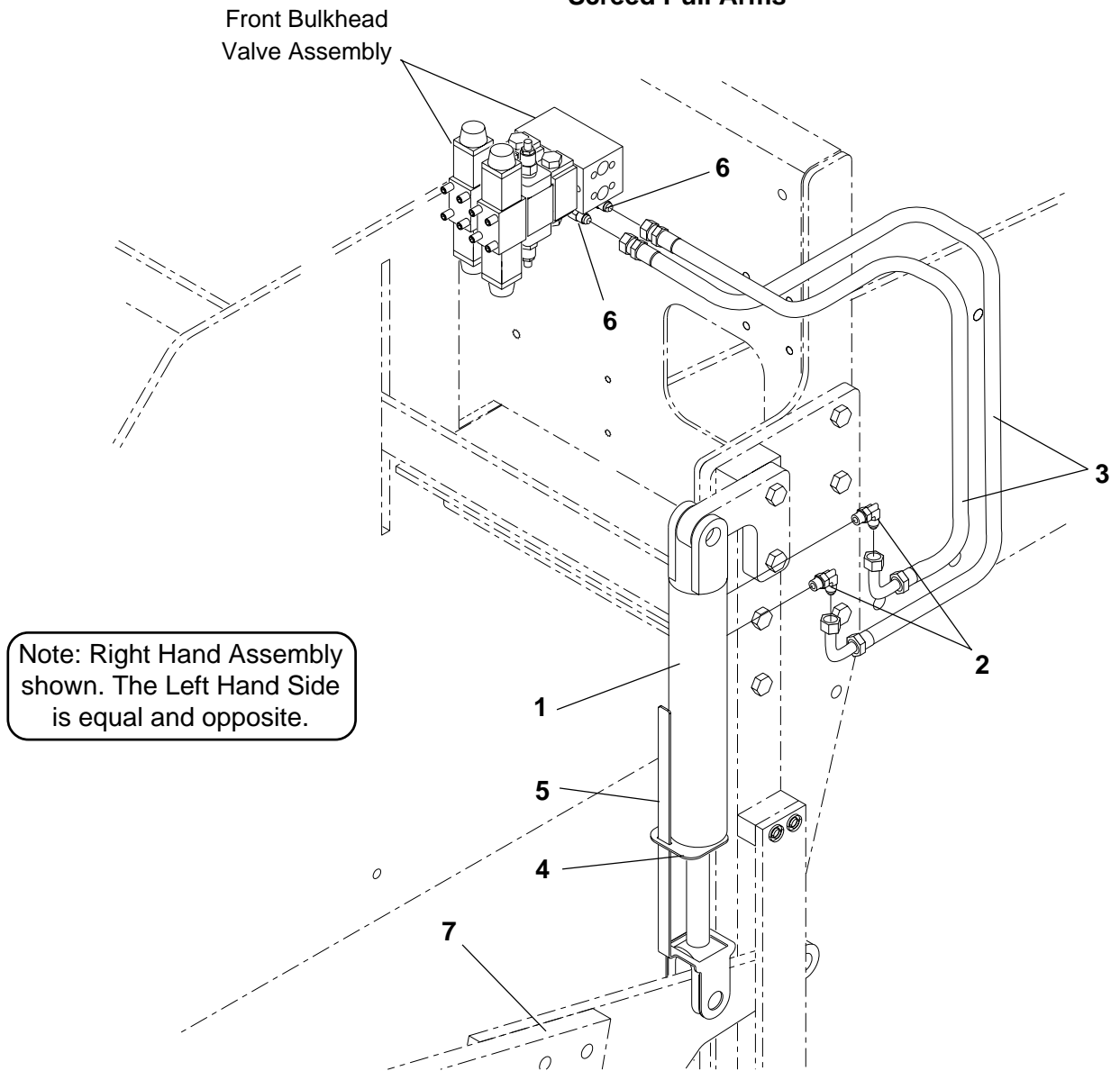


NOTE: Typical illustration is shown. Appearance and quantity of some items vary depending on application.

## Screed Pull Arms

Ref. No.	Part Number	Description	Quantity
1	7651-029-34-01	Hose Assembly	4
2	7430-291	Tee, 3/8" Run - with O-Ring	1
	45259-508-12	O-Ring, 7/16" (For above fitting)	As Req
3	45134-002-83	Cam, Follower	2
4	7017-054	Hex Nut, 1" NF Jam	2
5	45245-014-01	Fitting, Drive (Use tool 45245-015-01)	2
6	9704-557-22	Bushing, Pull Arm	2
7	7394-068	Capscrew, 1/2" NF x 1"	2
8	9704-906-35	Mount, Cylinder - Left Hand (Not Shown)	1
9	9704-906-36	Mount, Cylinder - Right Hand	1
10	7025-032	Capscrew, 5/8" NC x 1-1/2" - Sockethead	10
11	9704-551-28	Spacer	4
12	9704-560-46	Flat, Pull Arm Slide	2
13	9704-583-49	Arm, Pull - Left Hand (Not Shown)	1
14	9704-583-50	Arm, Pull - Right Hand	1
15	9704-578-52	Plate, Pull Arm Nose	2
16	7430-228	Cap, 3/8"	1
17	9704-905-42	Lock, Screed	2
18	9704-312-49	Pin, Cylinder	2
19	7011-043	Cotter Pin, 3/16" x 1-1/2"	10
20	7430-275	Elbow, 90° 3/8" with O-Ring	3
	45259-508-13	O-Ring (For above fitting)	As Req
21	7430-385	Fitting, Union 1/2"	2
22	Consult Factory	Bracket, Lift - Right Hand	1
23	Consult Factory	Bracket, Lift - Left Hand (Not Shown)	1
24	9704-576-50	Buffer, Pull Arm - 300 Series	2
25	45090-007-86	Hydraulic Cylinder	2
	45090-007-85-01	Seal Kit (For above cylinder)	As Req
26	7262-020	Shackle, 3-1/4"	2
27	9704-905-01	Lock, Screed Release - Left Hand (Not Shown)	1
28	9704-905-02	Lock, Screed Release - Right Hand	1
29	9704-905-31	Rod, Screed Lock Release	1
30	7238-141	Roll Pin, 3/8" x 2"	2
31	7383-119	Capscrew, 3/4" NC x 2-1/4"	4
32	7014-009	Lockwasher, 3/4"	16
33	7025-042	Capscrew, 3/4" NC x 1-1/2" - Sockethead	8
34	7007-015	Washer, Shakeproof	2
35	7012-030	Hex Nut, 3/4" NC	8
36	9700-459	Washer	2
37	7014-005	Lockwasher, 1/2"	10
38	7383-124	Capscrew, 3/4" NC x 3-1/2"	8
39	7383-074	Capscrew, 1/2" NC x 2-1/2"	8
40	7383-117	Capscrew, 3/4" NC x 1-3/4"	4
41	7097-017	Washer, 1" SAE	2
42	45090-001-45	Valve, Throttle	2
43	45720-776-22	Union, 3/8"	2
44	7465-002	Washer, 5/8" Hardened Flat	2
45	Reference	See Basket Plumbing	-
46	Reference	See Muscle Package or Front Bulkhead Plumbing	-

**Front Bulkhead Plumbing  
Screed Pull Arms**



Ref. No.	Part Number	Description	Quantity
1	45090-007-85	Hydraulic Cylinder	2
	45090-007-85-01	Seal Kit (For above Cylinder)	As Req
2	7430-275	Elbow, 90° 3/8" - with O-Ring	4
	45259-508-12	O-Rings, 7/16" (For above fitting)	As Req
3	7651-032-35	Hose Assembly, <i>Cylinder to Front Bulkhead</i>	4
4	9704-903-70	Guide, Indicator	2
5	9704-903-47	Indicator, Slope	2
6	7430-383	Elbow, 90° 3/8" Swivel Nut	4
7	Reference	<i>See Screed Pull Arms - This Section</i>	-



**Return to Table  
of Contents Page**



---

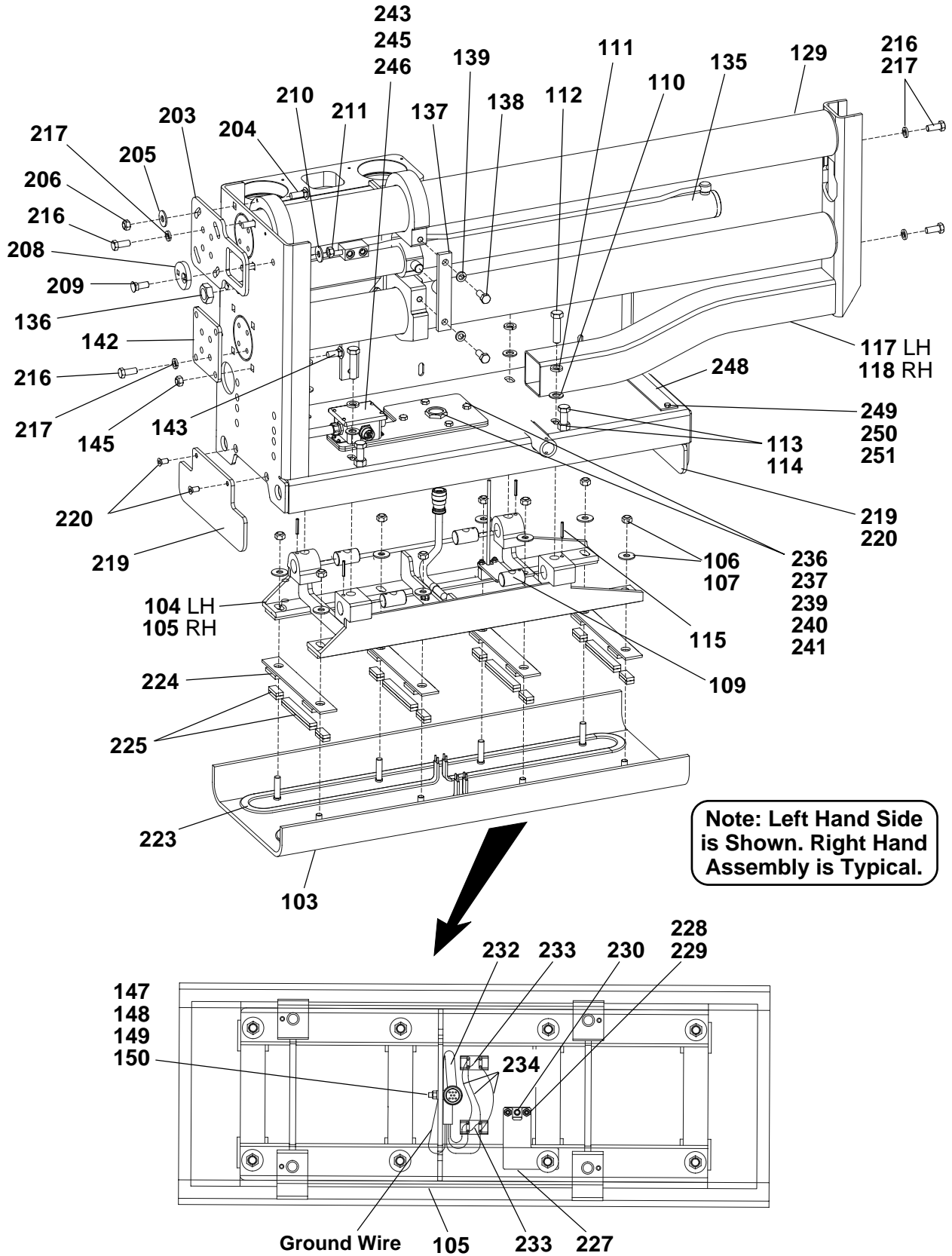
## Table of Contents

### Rear Extending Screed Components - 05037PSW

<b>Ref No.</b>	<b>Description</b>	<b>Page No.</b>
<u>1</u>	<u>Rear Extending Screed Frame &amp; Bottom - Illustration</u>	<u>2</u>
<u>2</u>	<u>Rear Extending Screed Frame &amp; Bottom - Parts List</u>	<u>3-4</u>
<u>3</u>	<u>Rear Screed Strike-Off Plates</u>	<u>5</u>

**Return to Table  
of Contents Page**

### Rear Extending Screed Frame & Bottom





**Return to Table  
of Contents Page**



## Rear Extending Screed Frame & Bottom

Ref. No.	Part Number	Description	Quantity
103	9704-572-47	Plate, Rear Screed S16GR.A	2
104	9704-572-57	Sub Frame, Right-Hand Screed Bottom (not shown)	1
105	9704-572-56	Sub Frame, Left-Hand Screed Bottom	1
106	7014-022	Washer, 5/8"	16
107	45890-102-29	Locknut, 5/8" NC	16
109	9704-572-82	Pivot Nut, Sub-Frame Lock	8
110	7097-015	Washer, 3/4" SAE	8
111	7014-009	Lockwasher, 3/4"	8
112	7383-122	Capscrew, 3/4" NC x 3"	8
113	7153-005	Adjuster Bolt, 3/4" NC x 3-1/8"	4
114	7012-030	Hex Nut, 3/4" NC	4
115	7238-116	Roll Pin, 1/4" x 1 3/4"	8
117	9704-573-37	Frame, Left-Hand Screed	1
118	9704-573-36	Frame, Right-Hand Screed (Not Shown)	1
129	9704-572-01	Tube, 8-16 Extension	4
135	45090-007-93	H Cylinder, 2.5" B 48" Strk	2
136	7017-056	Hex Nut, 1-1/4" NF Jam	4
137	9704-554-74	Support	2
138	7383-100	Capscrew, 5/8" NC x 1-1/2"	4
139	7014-007	Lockwasher, 5/8"	4
142	9704-573-78	End Cap	2
143	7072-148	Carriage Bolt, 5/8" NC x 1-1/2"	8
145	45890-102-29	Locknut, 5/8"	8
147	7509-006	Clamp, 3/4"	2
148	7383-039	Capscrew, 3/8" NC x 1 1/4"	2
149	7014-003	Lockwasher, 3/8"	2
150	7012-025	Hex Nut, 3/8" NC	2
203	9704-573-79	Torque Cap	2
204	7072-197	Carriage Bolt, 5/8" NC x 1-3/4"	8
205	7014-022	Washer, 5/8"	8
206	45890-102-29	Locknut, 5/8" NC	8
208	9704-573-80	Cam	2
209	7445-020	Plow Bolt, 5/8" x 1-3/4"	2
210	7014-022	Washer, 5/8"	2
211	45890-102-29	Locknut, 5/8"	2
216	7383-100	Capscrew, 5/8" NC x 1-1/2"	32
217	7014-007	Lockwasher, 5/8"	32
219	9704-576-74	Extension End Plate	4
220	7389-044	Capscrew, Sch 1/2" NC x 1"	4
223	46055-001-52	Heating Element, 1800w, 208v	4
224	9704-584-51	Clamp, Heating Element	8
225	45345-001-17	Wrap, High Temp Pipe & Tube	As Req

- Continued Next Page -

**Return to Table  
of Contents Page**



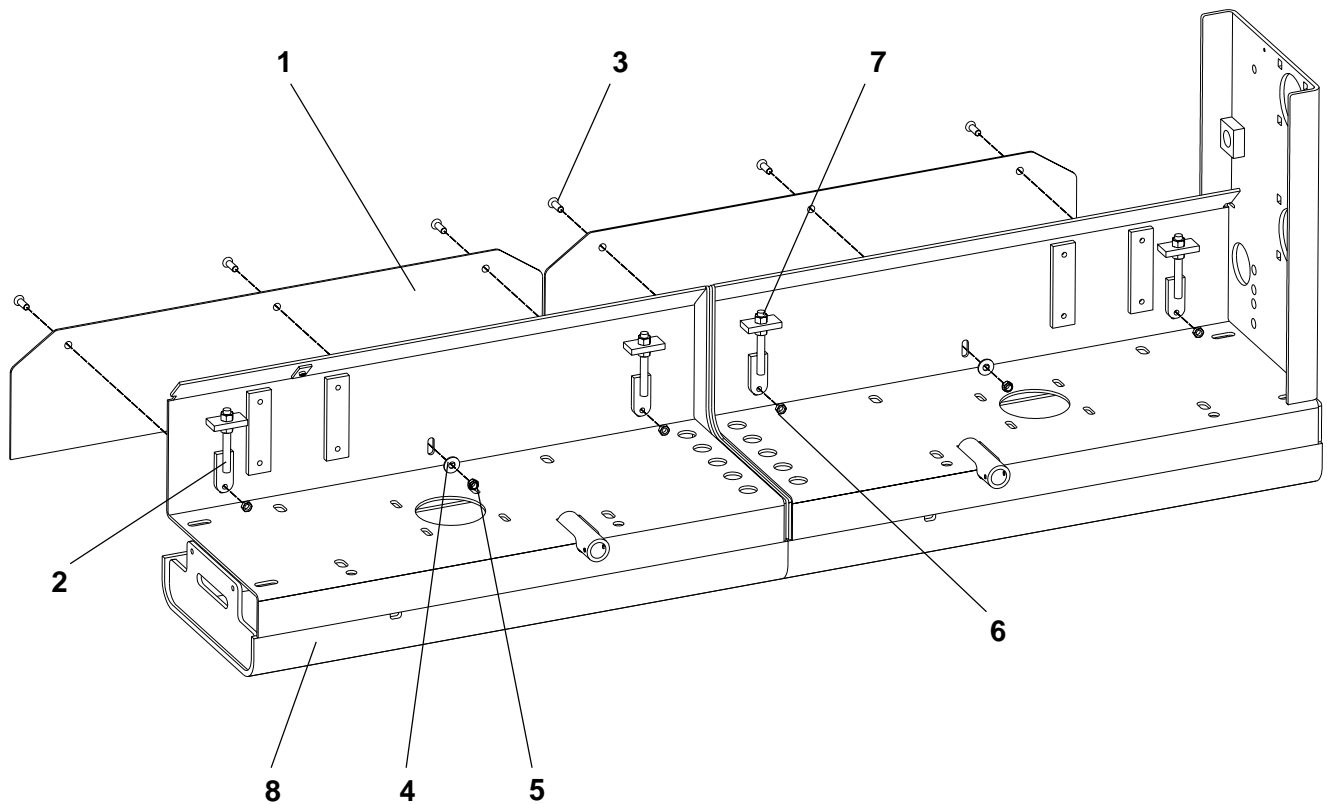
## Rear Extending Screed Frame & Bottom

Ref. No.	Part Number	Description	Quantity
227	9704-584-63	Clamp, Temperature Sensor	2
228	7131-080	Set Screw, 3/8" NC x 1"	4
229	7017-025	Hex Nut, 3/8" NC Jam	4
230	46055-003-07	Sensor, Temperature Point 100	2
232	9704-616-41	Cable, Heater	2
233	9704-616-39	Wire, 4" Jumper	4
234	9704-616-67	Jumper, 6"	6
236	46026-019-06	Nipple, 2" Chase	2
237	46026-016-06	Locknut, 2"	2
239	9704-586-71	Plate, Mounting - Junction Box	2
240	7383-038	Capscrew, 3/8" x 1"	8
241	7014-003	Lockwasher, 3/8"	8
243	9704-611-57	Heat Junction Box, Left-Hand	1
244	9704-611-58	Heat Junction Box, Right-Hand (not shown)	1
245	7435-095	Machine Screws, #10 NC x 1/2"	8
246	7439-003	Washers, #10 LK	8
248	9704-584-84	Cover, Air Vent, Screed Extension	2
249	7383-038	Capscrew 3/8" NC x 1"	4
250	7014-003	Lockwasher, 3/8"	4
251	7012-025	Hex Nut, 3/8" NC	4

Note: Certain replacement parts may also be available in kit form.  
Please consult with Cedarapids Product Support for additional information.

**Return to Table  
of Contents Page**

**Rear Screed Strike-Off Plates**

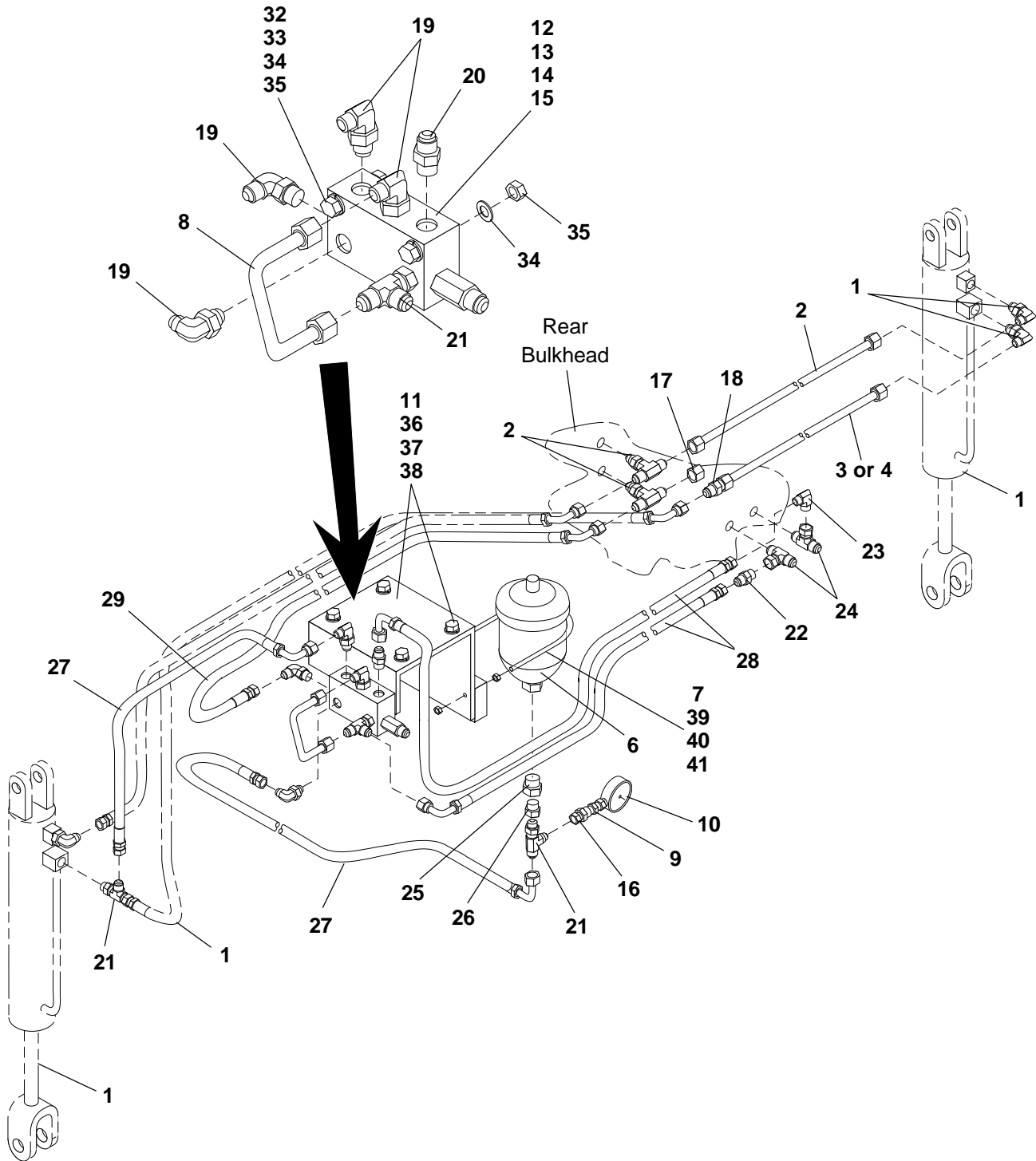


Ref. No.	Part Number	Description	Quantity
1	9704-573-38	Plate, Strike Off - Rear Screed	2
2	9704-554-34	Plate, Adjusting	4
3	7389-046	Capscrew, 1/2" x 1-1/2" Sockethead	6
4	7014-020	Washer, 1/2"	2
5	45890-102-28	Locknut, 1/2"	2
6	7017-027	Hex Nut, 1/2" Jam	4
7	7012-029	Hex Nut, 5/8"	8
8	Reference	See Rear Screed Frame & Bottom - This Section	-

Note: Certain replacement parts may also be available in kit form.  
Please consult with Cedarapids Product Support for additional information.



**Screed Assist Hydraulic System**



**Note: As of 10/1/2004, these parts pages apply to all current production Cedarapids Pavers using the following engineering BOM's: 5032VAJ & 5210RK.**

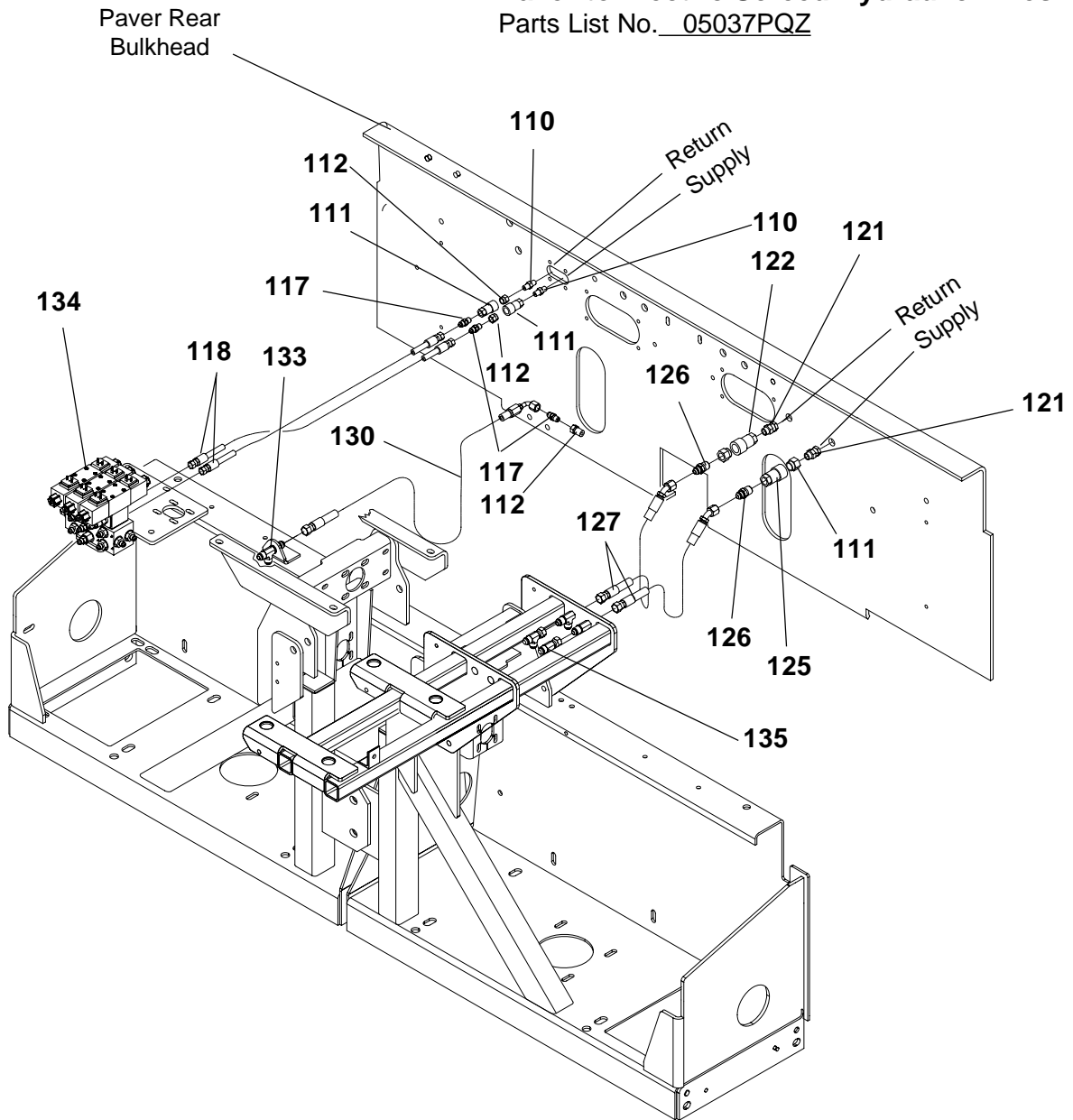


## Screed Assist Hydraulic System

Parts List No: 5032VAJ or 5210RK

Ref. No.	Part Number	Description	Quantity
1	Reference Only	See Screed Pull Arms - This Section	-
2	Reference Only	See Basket Plumbing - Elsewhere in this manual	-
3	9704-658-76	Tube Assembly - Screed Lift (For 300 Series Pavers)	1
4	9704-657-43	Tube Assembly - Screed Lift (For 400/500 Series Pavers)	1
	9704-660-92	Screed Assist Kit - Complete	-
5	9704-415-56	Electrical Components Kit - Complete (Not Shown)	1
6	45085-502-08	Accumulator, 2 Liter	1
7	45085-502-08-01	Clamp, Accumulator	1
8	9704-657-21	Tube Assembly, Manifold Tank	1
9	7084-002	Coupling, 1/4" Pipe	1
10	45865-002-33	Gauge, 0-600 PSI	1
11	9704-657-39	Bracket, Valve	1
	9704-663-23	Manifold, Screed Assist - Complete	-
12	9704-657-18	Manifold, Valve	1
13	45252-009-55	Valve, Pressure Reducing	1
14	45252-007-29	Valve, Needle	1
15	45251-008-27	Valve, Solenoid	1
	45251-008-27-01	Coil, Solenoid	1
	9704-661-27	Hydraulic Kit, Screed Assist - Complete	-
16	7430-423	Connector, 1/4" x 3/8"	1
17	7430-229	Cap, 1/2"	1
18	7430-385	Union, 1/2"	1
19	7430-275	Elbow, 90° 9/16" x 3/8" - with #30 O-Ring	4
20	7430-252	Connector, 9/16" x 3/8" - with #30 O-Ring	1
21	7430-291	Tee, 3/8" x 3/8" Run - with #31 O-Ring	3
22	7430-004	Connector, 1/4" x 3/8"	1
23	7430-019	Elbow, 90° 1/4" x 3/8"	1
24	45720-775-38	Tee, 1/4" Pipe Run	2
25	45720-775-12	Reducer, 1-1/16" x 3/4"	1
26	45720-775-55	Reducer, 3/4" x 9/16"	1
27	7651-019-35	Hose Assembly - Valve to Accumulator and Cylinder	2
28	7651-052-35	Hose Assembly - Pressure & Return Lines	2
29	7651-029-34-01	Hose Assembly - Valve to Bulkhead Tee	1
30	45259-508-13	O-Ring, 9/16" (For Hydraulic Fittings)	As Req
31	45259-508-12	O-Ring, 7/16" (For Hydraulic Fittings)	As Req
	9704-661-26	Bolt Kit, Screed Assist - Complete	-
32	7383-046	Capscrew, 3/8" NC x 3"	2
33	7014-003	Lockwasher, 3/8"	4
34	7014-018	Washer, 3/8"	4
35	7012-025	Hex Nut, 3/8" NC	2
36	7383-069	Capscrew, 1/2" NC x 1-1/4"	4
37	7012-027	Hex Nut, 1/2" NC	4
38	7014-005	Lockwasher, 1/2"	4
39	7383-023	Capscrew, 5/16" x 1-1/4"	2
40	7014-002	Lockwasher, 5/16"	3
41	7012-024	Hex Nut, 5/16"	2
42	7383-026	Capscrew, 5/16" x 2" Clamp Hardware (Not Shown)	1
43	45890-102-37	Washer, 5/16" Gripco Clamp Hardware (Not Shown)	1

**Paver to Electric Screed Hydraulic Lines**  
Parts List No. 05037PQZ



Ref. No.	Part Number	Description	Quantity
110	45720-770-21	Nipple, Adapter	2
111	45191-504-14-01	Coupler, 1/4" QD	3
112	45191-504-14-02	Nipple, Coupling	3
117	7430-004	Connector, 1/4" x 3/8"	3
118	7651-055-33	Hose Assembly, Auxilliary Supply	1
121	7430-413	Connector, 1/2"	2
125	45191-504-01	Coupler, 1/2"	1
126	7430-007	Connector, 1/2"	1
127	7652-040-34	Hose Assembly, 1/2" ID x 40"	2
130	7651-043-35-01	Hose Assembly, 3/8" ID x 43," Vibrator Case Drain	1
133	Reference	See Vibrator Controls - This Section	-
134	Reference	See Control Valves & Hydraulic Fittings - This Section	-
135	Reference	See Vibrator Functions & Fuel Supply - This Section	-





**Return to Table  
of Contents Page**



---

**Table of Contents**

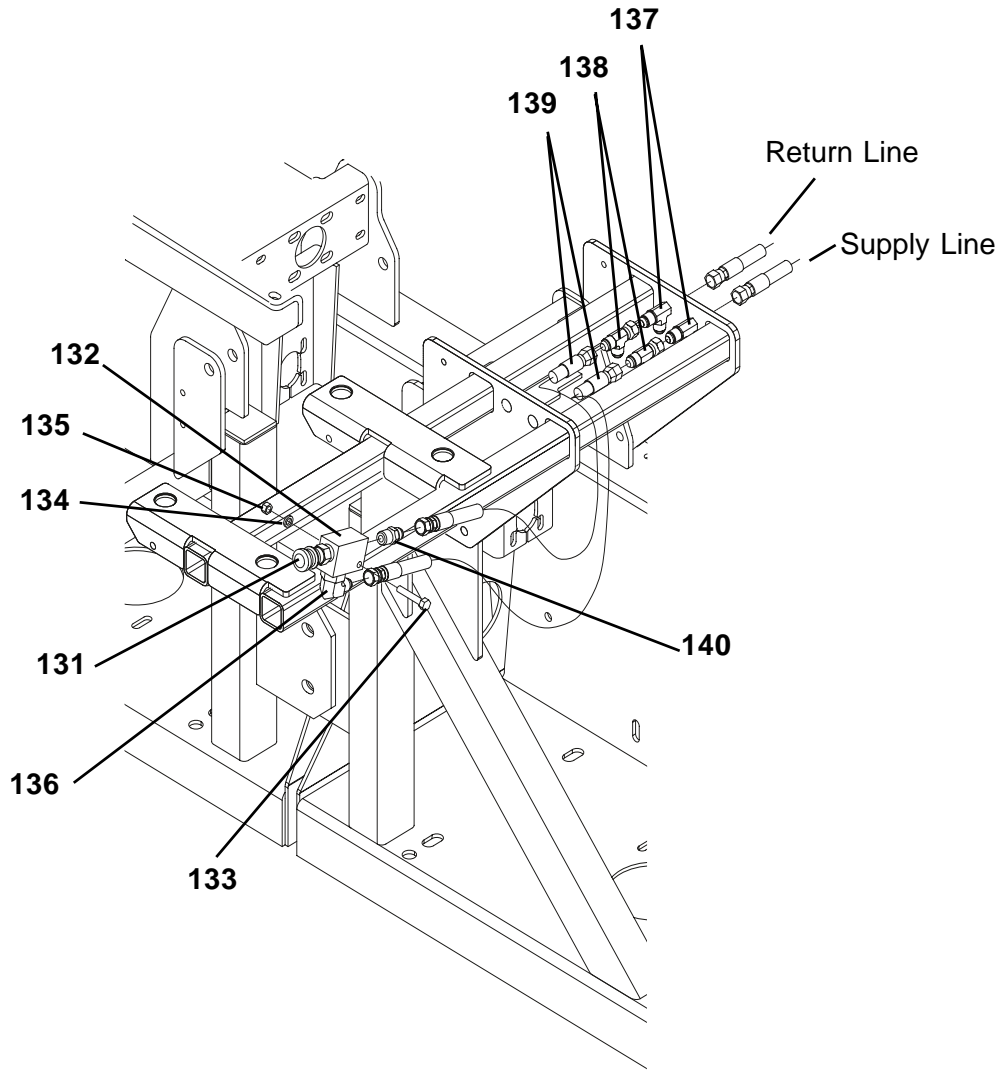
**Vibrator Hydraulic Plumbing & Valves - 05037PST**

<b>Ref No.</b>	<b>Description</b>	<b>Page No.</b>
<u>1</u>	<u>Vibrator Controls</u>	<u>2</u>
<u>2</u>	<u>Left-Hand Vibrator Plumbing</u>	<u>3</u>
<u>3</u>	<u>Right-Hand Vibrator Plumbing</u>	<u>4</u>
<u>4</u>	<u>Valve Assembly - Left Hand Screed</u>	<u>5</u>
<u>5</u>	<u>Valve Assembly - Right Hand Screed</u>	<u>6</u>

**Return to Table  
of Contents Page**



**Vibrator Controls**

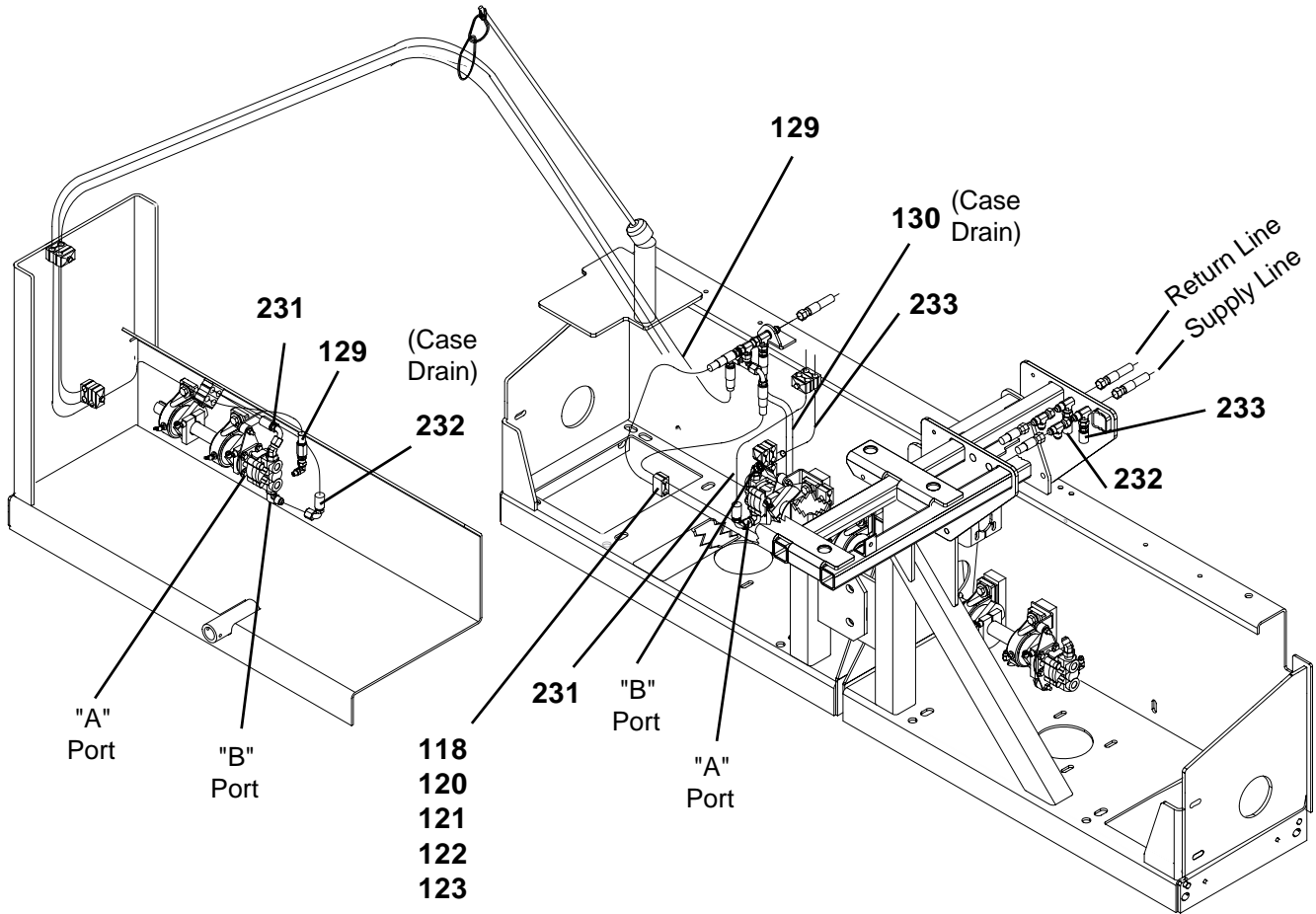


Ref. No.	Part Number	Description	Quantity
131	45252-007-13	Valve, Orifice	1
132	45252-004-60	Body, Line Mounted	1
133	7383-043	Capscrew, 3/8" NC x 2 1/4"	1
134	7014-003	Lockwasher, 3/8"	1
135	7012-025	Hex Nut	1
136	7430-278	Elbow, #8 SAE, #8 JIC	1
137	7430-437	Tee, #8 Run Bulkhead	2
138	7430-345	Swivel Nut Tee, 1/2" JIC	2
139	765203533	Hose Assembly, 1/2" ID x 35"	2
140	7430-255	Connector, #8 OR x 1/2" JIC	1

**Return to Table  
of Contents Page**



**Left-Hand Vibrator Plumbing**

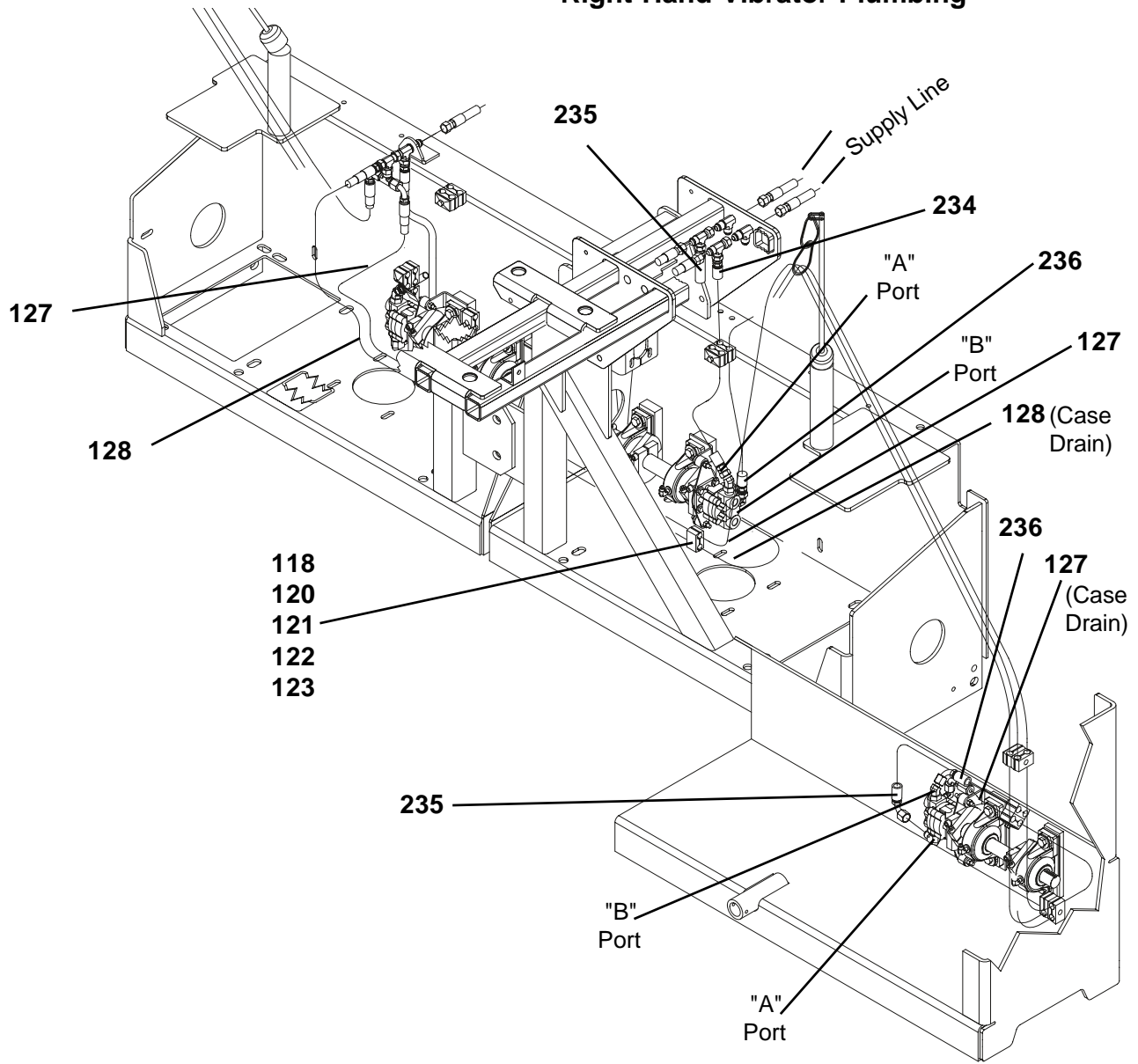


Ref. No.	Part Number	Description	Quantity
118	45080-529-24	Clamp Half, for 5/8" Tube	10
120	45080-529-26	Plate, Cover for Clamp	4
121	7383-031	Capscrew, 5/16" NC x 3-1/4	4
122	7014-002	Washer, 5/16" Lock	4
123	7012-024	Hex Nut, 5/16" NC	4
127	7651-200-35-01	Hose Assembly, 1/2" x 200"	1
128	7651-078-33-01	Hose Assembly, 1/2" x 78"	1
129	7651-161-35-01	Hose Assembly, 1/2" x 161"	1
130	7651-018-33-01	Hose Assembly	1
231	7651-181-35-01	Hose Assembly	1
232	7651-220-35-01	Hose Assembly	1
233	7651-094-33-02	Hose Assembly	1

**Return to Table of Contents Page**



**Right-Hand Vibrator Plumbing**

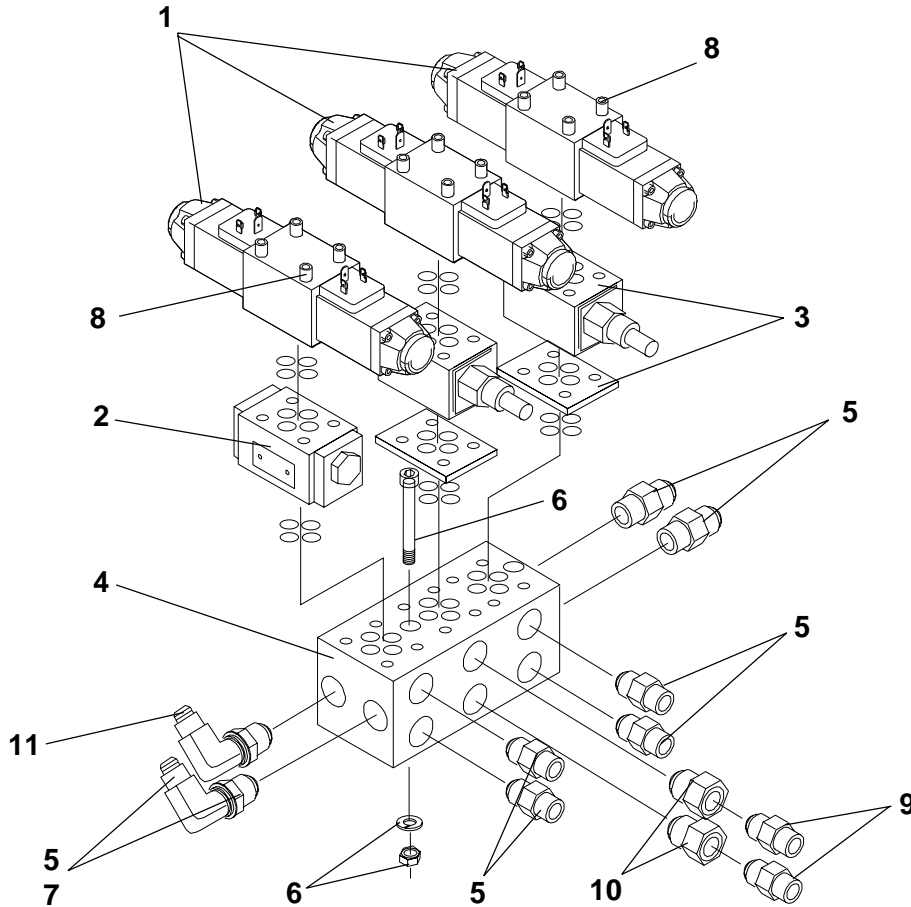


Ref. No.	Part Number	Description	Quantity
118	45080-529-24	Clamp Half for 5/8" Tube	10
120	45080-529-26	Plate, Cover for Clamp	4
121	7383-031	Capscrew, 5/16" NC x 3-1/4	4
122	7014-002	Washer, 5/16" Lock	4
123	7012-024	Hex Nut, 5/16" NC	4
127	7651-200-35-01	Hose Assembly, 1/2" x 200"	1
128	7651-078-33-01	Hose Assembly, 1/2" x 78"	1
234	7651-029-33-01	Hose Assembly	1
235	7651-163-35-01	Hose Assembly	1
236	7651-175-35-01	Hose Assembly	1

**Return to Table  
of Contents Page**



**Valve Assembly  
Left Hand Scribed**

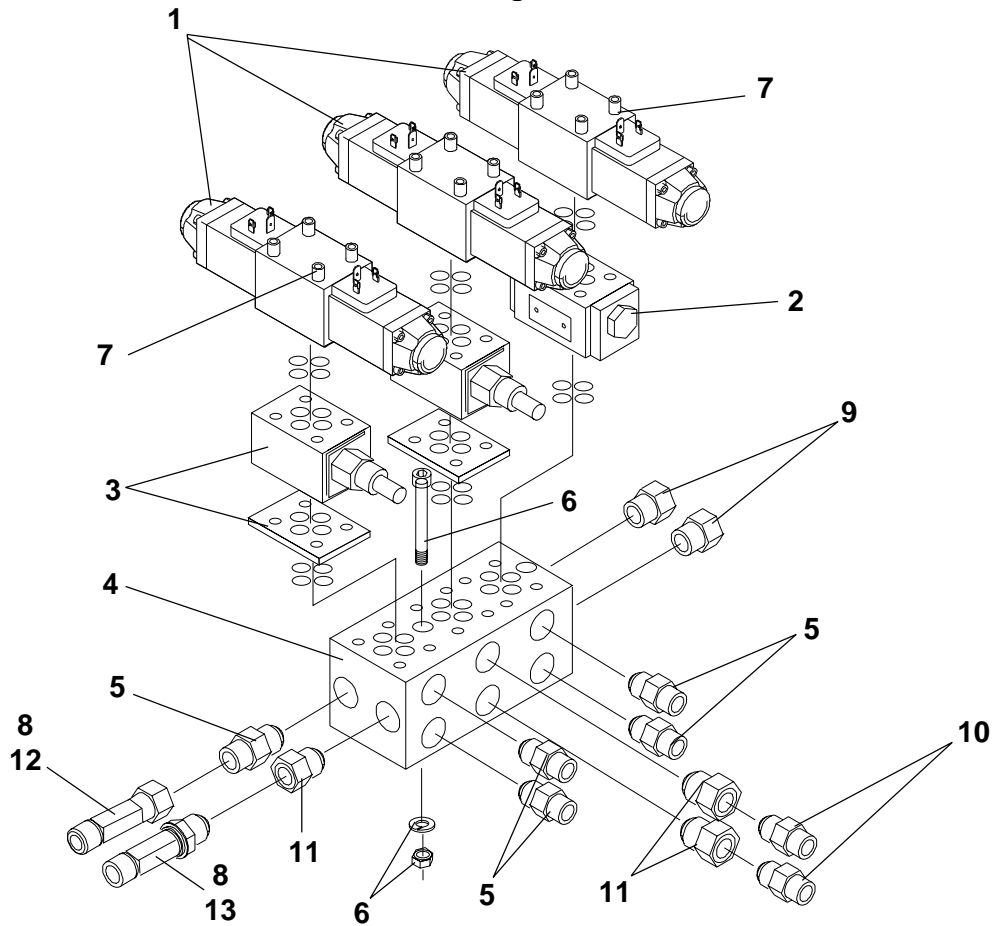


Ref. No.	Part Number	Description	Quantity
	9704-662-84	Valve Assembly - Complete	-
1	45252-005-53	Valve, Solenoid	3
2	45252-014-10	Valve, Holding	1
3	45252-007-39	Valve, Needle - Includes Plates & O-Rings	2
4	45252-501-14	Block, Valve	1
5	7430-253	Connector, 3/4" x 3/8" - with O-Ring	7
	45259-518-14	O-Ring, 3/4" (For above fitting)	As Req
6	7025-088	Capscrew, 5/16" NC x 3" - Sockethead	2
	7014-002	Lockwasher, 5/16"	2
	7012-024	Hex Nut, 5/16" NC	2
7	7430-383	Elbow, 3/8" 90° Swivel	1
8	9704-661-98	Bolt Kit (Includes Studs & Nuts)	3
9	7430-252	Connector, 9/16" x 3/8" - with O-Ring	2
	45259-508-13	O-Ring, 9/16" (For above fitting)	As Req
10	45720-775-55	Reducer, 3/4" x 9/16"	2
11	7430-276	Elbow, 90° 3/4" x 3/8" - with O-Ring	2
	45259-508-14	O-Ring, 3/4" (For above fitting)	As Req

**Return to Table  
of Contents Page**

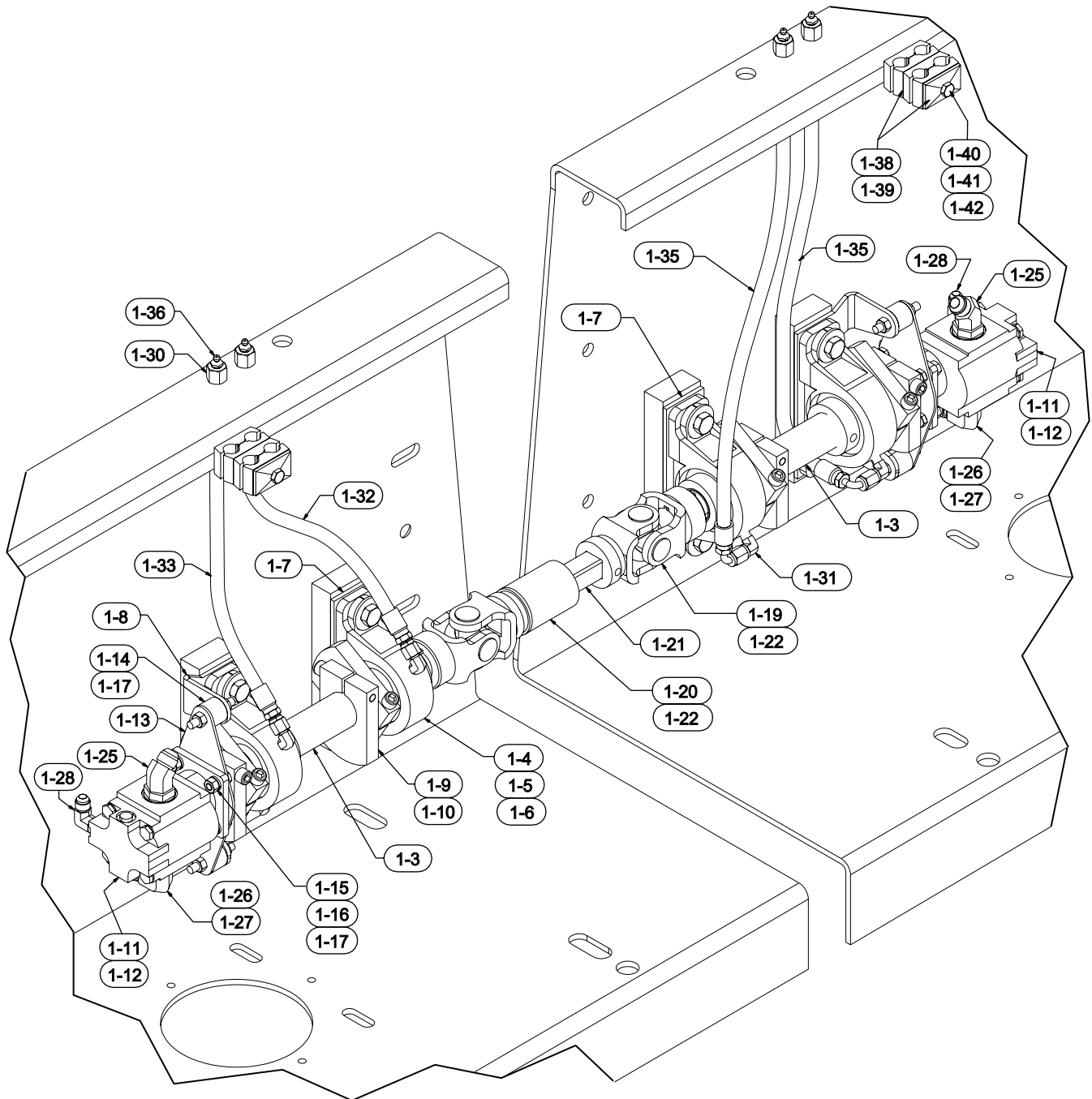


**Valve Assembly  
Right Hand Screed**



Ref. No.	Part Number	Description	Quantity
	9704-662-85	Valve Assembly - Complete	
1	45252-005-53	Valve, Solenoid	3
2	45252-014-10	Valve, Holding	1
3	45252-007-39	Valve, Needle - Includes Plates & O-Rings	2
4	45252-501-14	Block, Valve	1
5	7430-253	Connector, 3/4" x 3/8" - with O-Ring	5
	45259-518-14	O-Ring, 3/4" (For above fitting)	As Req
6	7025-088	Capscrew, 5/16" NC x 3" - Sockethead	2
	7014-002	Lockwasher, 5/16"	2
	7012-024	Hex Nut, 5/16"	2
7	9704-661-98	Bolt Kit (Includes Studs & Nuts)	3
8	7430-228	Plug, 3/8"	2
9	7430-382	Plug, 3/4" - with O-Ring	2
	45259-518-14	O-Ring, 3/4" (For above fitting)	As Req
10	7430-252	Connector, 9/16" x 3/8" - with O-Ring	2
	45259-508-13	O-Ring, 9/16" (For above fitting)	As Req
11	45720-775-55	Reducer, 3/4" x 9/16"	3
12	7430-344	Tee, 3/8" Swivel Nut - Male Branch	1
13	7430-291	Tee, 3/8" Run - with O-Ring	1
	45259-508-12	O-Ring, 7/16" (for above fitting)	As Req

### Hydraulic Vibrators - Front Scred





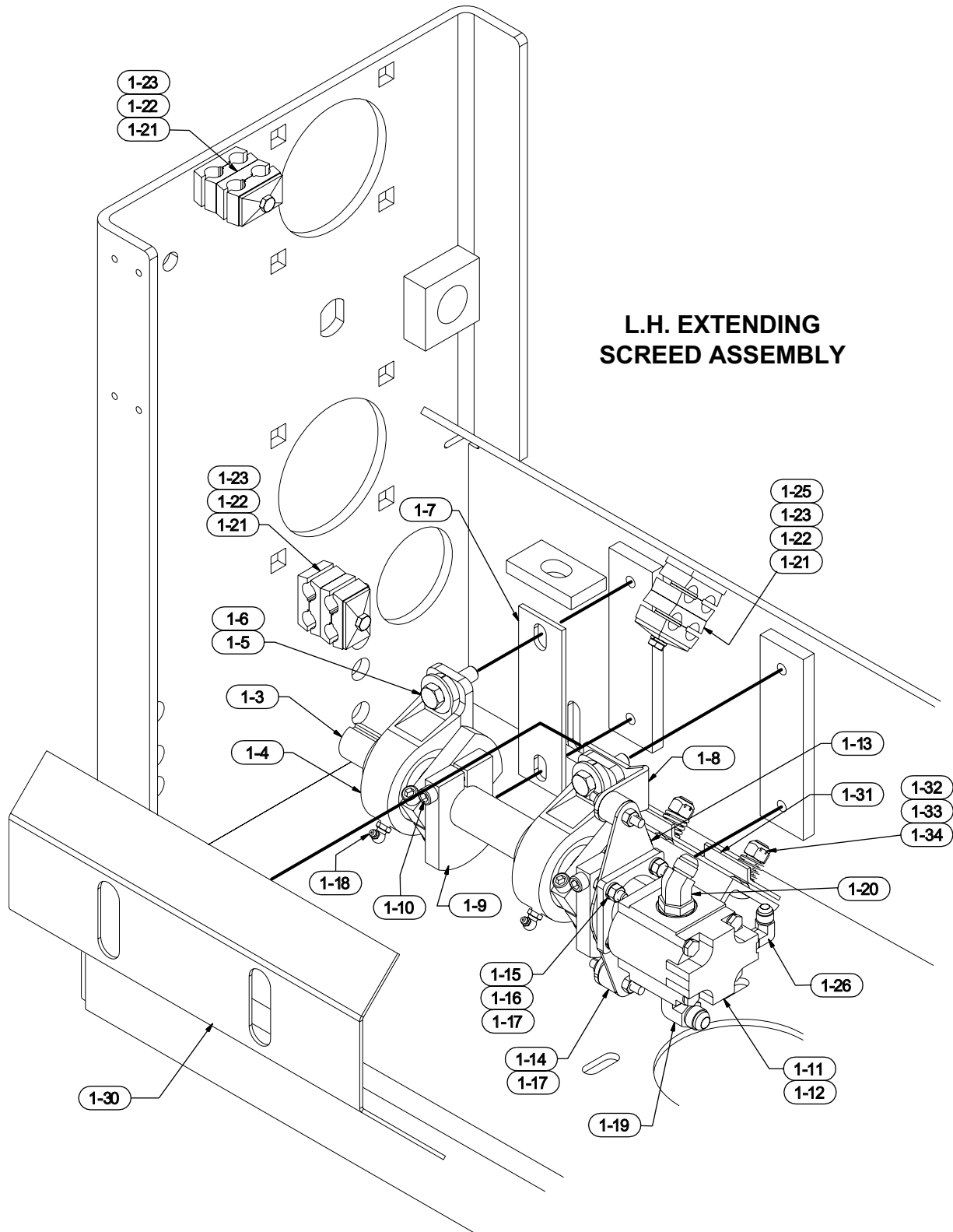
## Hydraulic Vibrators - Front Screed

Parts List No. 5037PKT

Ref. No.	Part Number	Description	Quantity
1-3	9704-576-16	Shaft, Vibrator	2
1-4	45125-505-10	Pillow Block Bearing	4
1-5	7383-071	Capscrew, 1/2" x 1-3/4"	8
1-6	7014-020	Washer, 1/2"	8
1-7	9704-557-15	Shim, Plate	2
1-8	9704-557-17	Plate, Tube Assembly	2
1-9	9704-557-11	Weight, Vibrator	8
1-10	7025-018	Capscrew, 3/8" x 2-1/2" Sockethead	8
1-11	45080-006-25	Hydraulic Motor	2
	45080-006-25-01	Seal Kit (for above motor)	2
1-12	40831-000-81	Key, 1/8" x 1/2"	2
1-13	9704-557-14	Mount, Motor	2
1-14	45395-001-22	Mount, Rubber	4
1-15	7383-020	Capscrew, 5/16" x 3/4"	8
1-16	7014-002	Lockwasher, 5/16"	8
1-17	7012-024	Hex Nut, 5/16"	16
1-19	45378-001-07	Universal Joint, 1-1/4"	1
1-20	45378-001-08	Universal Joint, with Slip Sleeve	1
1-21	40832-006-25	Key, 7/8" x 6-1/4"	1
1-22	40800-001-01	Key, 1/4" Square	2
1-25	7430-315	Elbow, 45° 7/8" x 1/2"	2
1-26	7430-279	Elbow, 90° 5/8" x 1/2"	2
1-27	7430-405	Elbow, 90° 1/2" Swivel	2
1-28	7430-417	Elbow, 90° 7/16" x 3/8"	2
1-30	7430-333	Connector	4
1-31	7430-016	Connector, 1/8" x 1/4"	4
1-32	7650-018-33	Hose Assembly, Bearing Grease	1
1-33	7650-016-33-01	Hose Assembly, Bearing Grease	1
1-35	7650-021-35	Hose Assembly, Bearing Grease	2
1-36	7051-001	Grease Fitting, 1/8" Straight	4
1-38	45080-529-24	Clamp Half, 5/8" Tube	8
1-39	45080-529-26	Plate, Cover for Clamp	2
1-40	7383-030	Capscrew, 5/16" x 3"	2
1-41	7014-002	Lockwasher, 5/16"	2
1-42	7012-024	Hex Nut, 5/16"	2



**Hydraulic Vibrators - Rear Extending Screed**



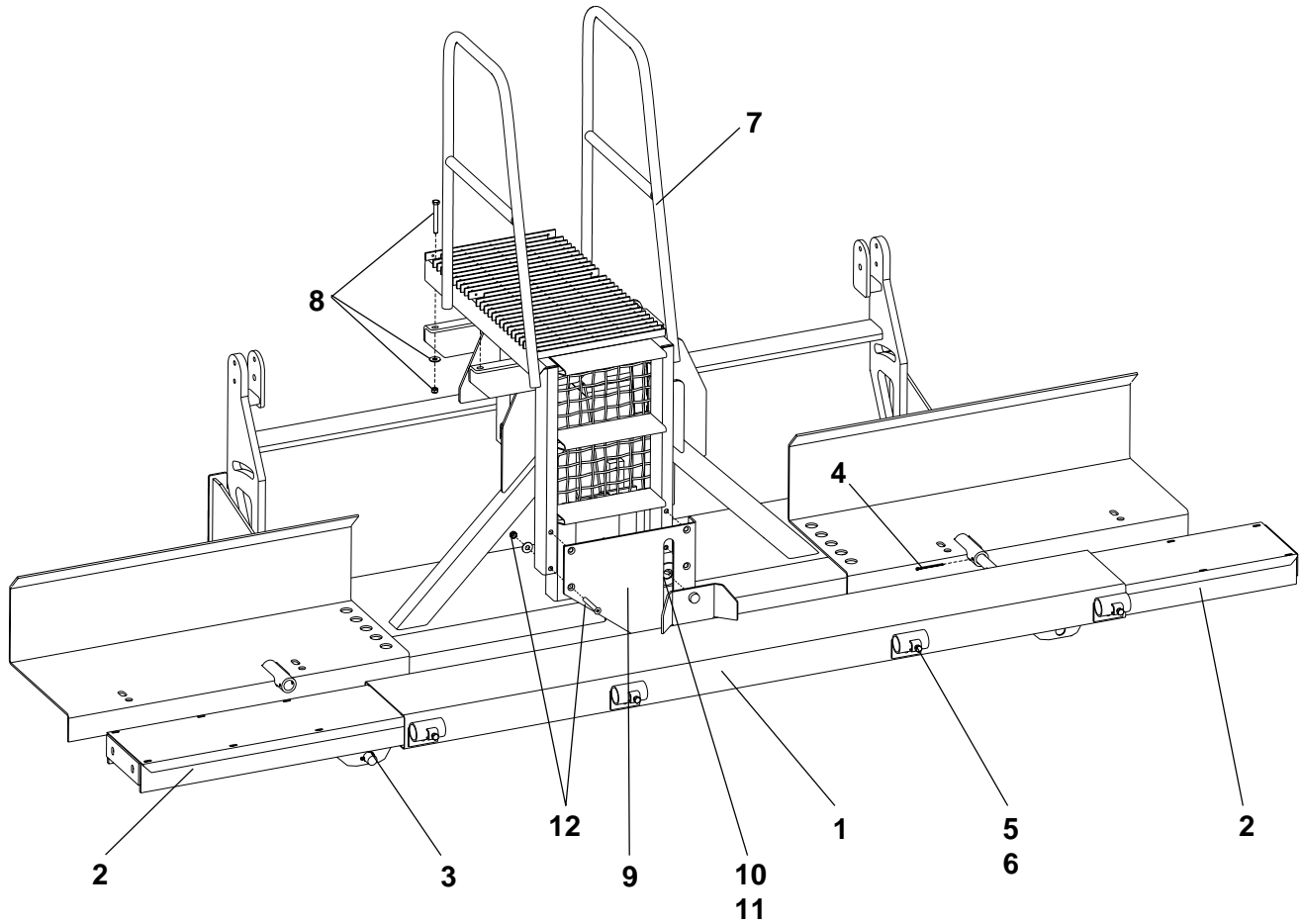


## Hydraulic Vibrators - Rear Extending Screenshot

Parts List No. 5037PKW

Ref. No.	Part Number	Description	Quantity
1-3	9704-576-16	Shaft, Vibrator	2
1-4	45125-505-10	Pillow Block Bearing	4
1-5	7383-071	Capscrew, 1/2" x 1-3/4"	8
1-6	7014-020	Washer, 1/2"	8
1-7	9704-557-15	Shim, Plate	2
1-8	9704-557-17	Plate, Tube Assembly	2
1-9	9704-557-11	Weight, Vibrator	8
1-10	7025-018	Capscrew, 3/8" x 2-1/2" Sockethead	8
1-11	45080-006-25	Hydraulic Motor	2
	45080-006-25-01	Seal Kit (for above motor)	2
1-12	40831-000-81	Key, 1/8" x 1/2"	2
1-13	9704-557-14	Mount, Motor	2
1-14	45395-001-22	Mount, Rubber	4
1-15	7383-022	Capscrew, 5/16" x 1"	8
1-16	7014-002	Lockwasher, 5/16"	8
1-17	7012-024	Hex Nut, 5/16"	16
1-18	7051-004	Grease Fitting, 1/8" 90°	4
1-19	7430-279	Elbow, 90° 5/8" x 1/2"	2
1-20	7430-315	Elbow, 45° 7/8" x 1/2"	2
1-21	45080-529-24	Clamp Half, 5/8" Tube	20
1-22	45080-529-26	Plate, Cover for Clamp	5
1-23	7383-028	Capscrew, 5/16" x 2-1/2"	5
1-25	7014-002	Lockwasher, 5/16"	2
1-26	7430-417	Elbow, 90° 7/16" x 3/8"	2
1-30	9704-585-69	Guard, Vibrator Rear	2
1-31	9704-559-53	Clip, Guard Hold	4
1-32	7072-194	Carriage Bolt, 1/2" x 1-3/4"	4
1-33	45870-001-30	Spring, Compression	4
1-34	45890-102-28	Locknut, 1/2"	4

**Screed Walkways**



Ref. No.	Part Number	Description	Quantity
1	9704-573-61	Walkway, Screed - Outer	1
2	9704-573-70	Walkway, Screed - Inner	2
3	9704-573-68	Shaft, Walkway Mounting	2
4	7011-108	Cotter Pin, 3/16"	6
5	7012-005	Nut, Square 1/2"	4
6	7383-069	Capscrew, 1/2" x 1-1/4"	4
7	9704-573-45	Walkway, Upper	1
8	7383-080	Capscrew, 1/2" x 4"	4
	7014-020	Washer, 1/2"	4
	45890-102-28	Locknut, 1/2"	4
9	9704-573-52	Plate, Screed	1
10	7011-108	Cotter Pin, 3/16"	1
11	7014-027	Washer, 1-1/4"	1
12	7389-094	Capscrew, Sockethead 1/2" x 4"	4
	7014-020	Washer, 1/2"	4
	45890-102-28	Locknut,, 1/2"	4



[Return to Table  
of Contents Page](#)

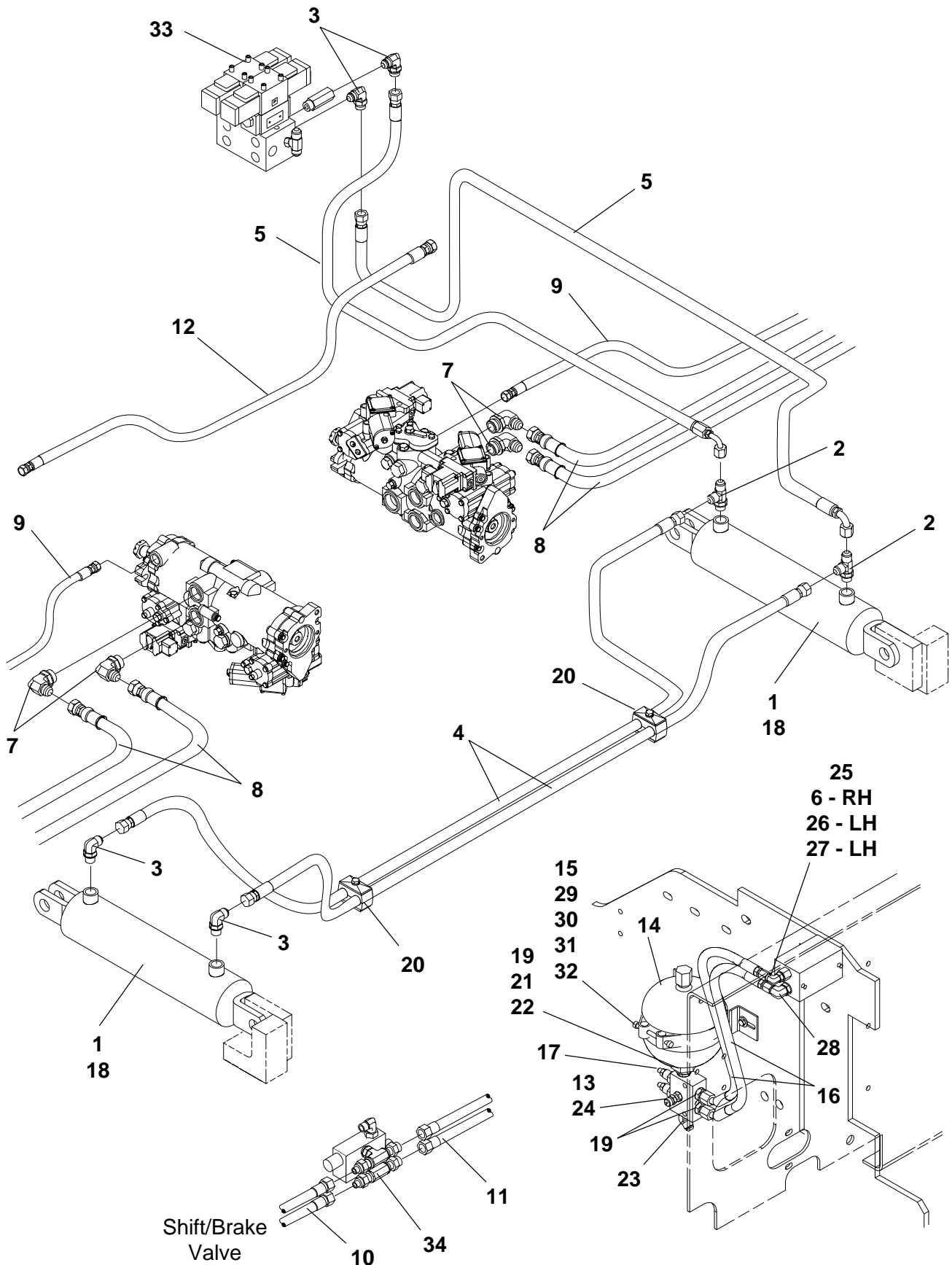
---

**Table of Contents****Frame Raise Mounting & Plumbing Components - 05210QKU**

<b>Ref No.</b>	<b>Description</b>	<b>Page No.</b>
<u>1</u>	<u><a href="#">Frame Raise Plumbing Illustration</a></u>	<u>2</u>
<u>2</u>	<u><a href="#">Frame Raise Plumbing Parts List</a></u>	<u>3</u>
<u>3</u>	<u><a href="#">Hydraulic Cylinder</a></u>	<u>4</u>
<u>4</u>	<u><a href="#">Grease Lines - Frame Raise Bearing</a></u>	<u>5</u>
<u>5</u>	<u><a href="#">Track Mounting with Frame Raise</a></u>	<u>6</u>

**Return to Table  
of Contents Page**

**Frame Raise Plumbing**



**Return to Table  
of Contents Page**

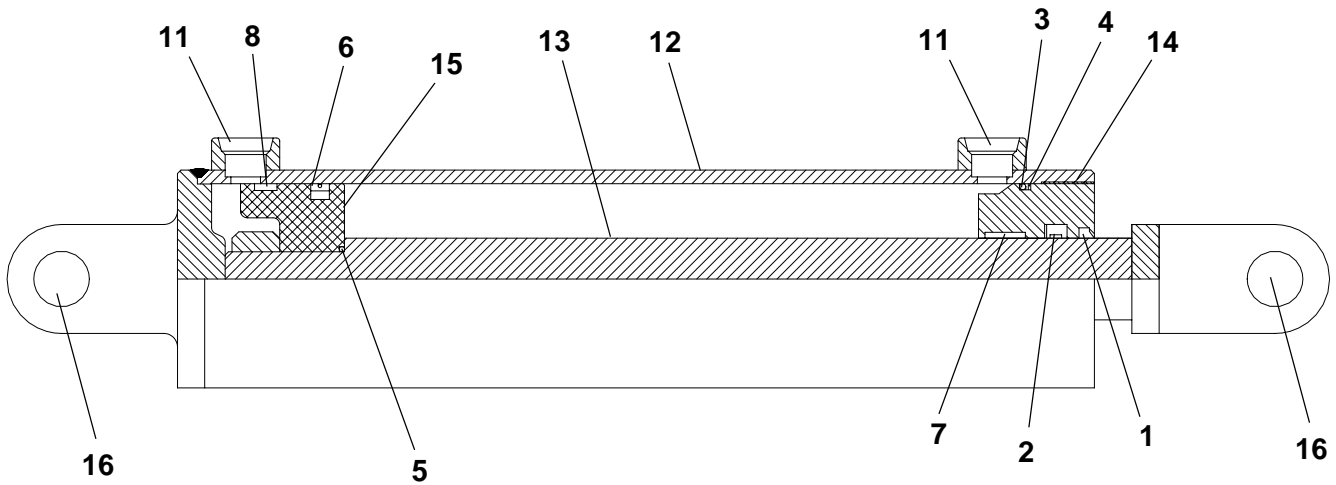


## Frame Raise Plumbing

Ref. No.	Part Number	Description	Quantity
1	45090-007-88	Hydraulic Cylinder - See Form 21715, Following Pages	2
2	7430-292	Tee, 1/2" Run - with #35 O-Ring	2
3	7430-278	Elbow, 90° 3/4" x 1/2" - with #36 O-Ring	4
4	7651-054-33-01	Hose Assembly, Cylinder Crossover	2
5	7652-075-35	Hose Assembly, Cylinder to Valve Assembly	2
6	7430-275	Elbow, 90° 9/16" x 3/8" - with #37 O-Ring	1
7	7430-378	Elbow, 90° 1-5/16" x 3/4" - with #38 O-Ring	4
8	{ 7683-042-33	Hose Assembly, Shift/Brake - Left Hand	2
	{ 7683-050-33	Hose Assembly, Shift/Brake - Right Hand	2
9	{ 7652-048-33	Hose Assembly, Case Drain - Left Hand	1
	{ 7652-056-33	Hose Assembly, Case Drain - Right Hand	1
10	7651-085-33	Hose Assembly, Shift/Brake Valve	2
11	7651-052-35	Hose Assembly, Shift/Brake Valve	2
12	7660-154-33-01	Hose Assembly, Track Crossover	1
13	45080-527-04	Test Fitting, 1/4"	2
14	45085-502-10	Accumulator	2
15	45085-502-08-01	Clamp, Accumulator	2
16	7651-029-34-01	Hose Assembly, Accumulator Valve	4
17	9704-062-67	Valve, Accumulator Charge	2
18	7014-025	Washer, 1"	4
19	7430-255	Connector, 3/4" x 1/2" - with #36 O-Ring	6
20	{ 45080-529-25	Clamp Half, 3/4"	4
	{ 45080-529-27	Plate, Cover Clamp	2
	{ 7383-024	Capscrew, 5/16" NC x 1-1/2"	2
	{ 7014-002	Lockwasher, 5/16"	2
21	45259-508-14	O-Ring, 3/4"	2
22	45720-775-12	Reducer, 1-1/16" to 3/4"	2
23	7430-314	Elbow, 45° 3/4" x 1/2" - with #36 O-Ring	2
24	7430-399	Plug, 7/16" - with #39 O-Ring	2
25	45720-775-55	Reducer, 3/4" to 9/16"	2
26	7430-291	Tee, 3/8" Run - with #39 O-Ring	1
27	45080-527-18	Fitting, 3/8" Male Test	1
28	7430-276	Elbow, 90° 3/4" x 3/8" - with #36 O-Ring	1
29	7383-024	Capscrew, 5/16" NC x 1-1/2"	4
30	7014-017	Washer, 5/16"	8
31	7014-002	Lockwasher, 5/16"	4
32	7012-024	Hex Nut, 5/16" NC	4
33	Reference Only	See Screed Lift Valve Assembly - This Section	-
34	Reference Only	See Pump Drives - This Section	-
35	45259-508-46	O-Ring, 1/2" (For hydraulic fittings)	As Req
36	45259-508-14	O-Ring, 3/4" (For hydraulic fittings)	As Req
37	45259-508-13	O-Ring, 9/16" (For hydraulic fittings)	As Req
38	45259-508-17	O-Ring, 1-5/16" (For hydraulic fittings)	As Req
39	45259-508-12	O-Ring, 7/16" (For hydraulic fittings)	As Req

**Return to Table  
of Contents Page**

**Hydraulic Cylinder**

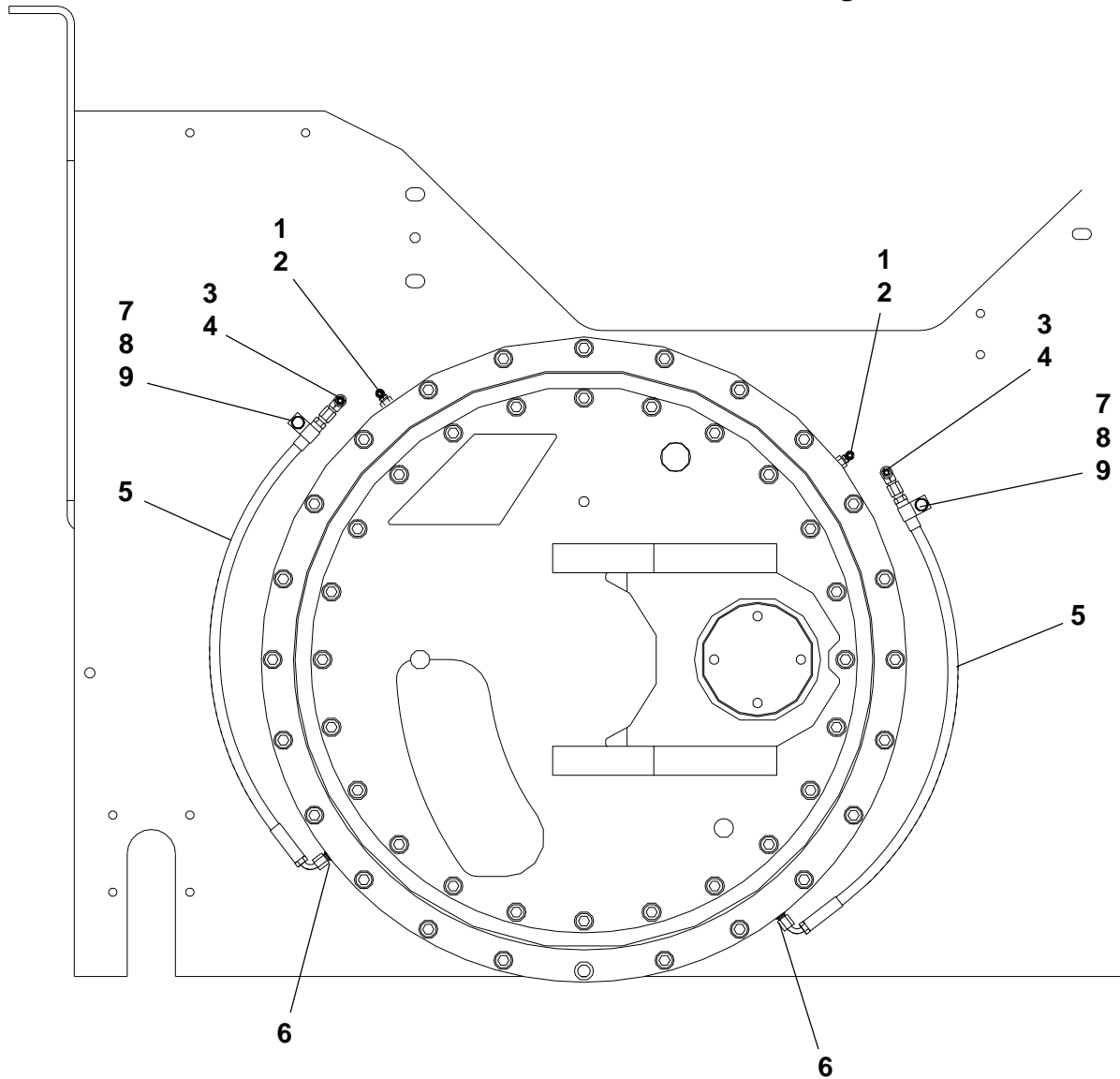


Ref. No.	Part Number	Description	Quantity
	45090-007-88	Cylinder - Complete	1
1	45090-007-88-01	Wiper	1
2	45090-007-88-02	Seal	1
3	45090-007-88-03	O-Ring	1
4	45090-007-88-04	Back-Up	1
5	45090-007-88-05	O-Ring	1
6	45090-007-88-06	Seal	1
7	45090-007-88-10	Wear Ring	1
8	45090-007-88-11	Wear Ring	1
9	45090-007-88-07	Locknut	1
10	45090-007-88-08	Cotter Pin	2
11	45090-007-88-09	Port Plug	2
12	45090-007-88-15	Tube Assembly	1
13	45090-007-88-16	Rod Assembly	1
14	45090-007-88-12	Head	1
15	45090-007-88-13	Piston	1
16	45090-007-88-14	Clevis Pin	2
17	45090-007-88-17	Seal Kit, Cylinder (Not Shown)	1



**Return to Table  
of Contents Page**

**Grease Lines  
Frame Raise Bearing**

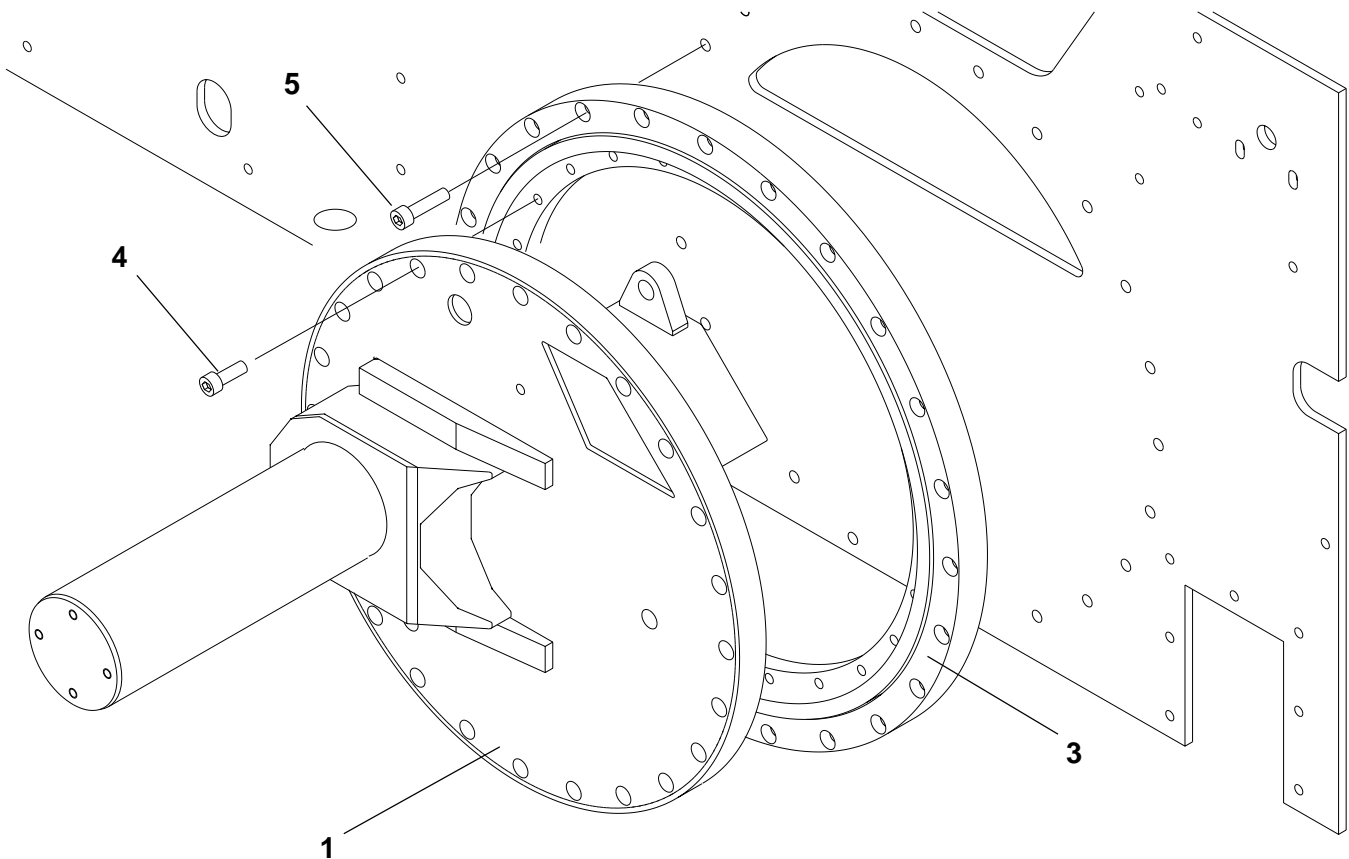


Ref. No.	Part Number	Description	Quantity
1	7051-004	Grease Nipple, 1/8" 90°	4
2	7053-001	Nipple, Grease Extension	4
3	7051-002	Grease Fitting, 1/8" 45°	4
4	7430-084	Elbow, 90° 1/8" x 1/4"	4
5	7650-027-35	Hose Assembly, 1/4" x 27"	4
6	7430-001	Connector, 1/8" x 1/4"	4
7	7509-004	Hose Clamp, 5/8"	4
8	7383-035	Capscrew, 3/8" NC x 5/8"	4
9	7014-003	Lockwasher, 3/8"	4

**Return to Table  
of Contents Page**



**Track Mounting w/ Frame Raise**



**NOTE: Left Hand Assembly shown.  
Right Hand Side equal & opposite.**

Ref. No.	Part Number	Description	Quantity
1	9704-062-53	Eccentric, LH Frame Raise	1
2	9704-062-54	Eccentric, RH Frame Raise (Not Shown)	1
3	45134-003-32	Bearing, Paver Frame Raise	2
4	7025-031	Capscrew, 5/8" NC x 1-1/4" - Sockethead	48
5	7025-034	Capscrew, 5/8" NC x 2" - Sockethead	46

**NOTE: Quantities are for both Left and Right Sides.**

**Return to Table  
of Contents Page**

## Table of Contents

### Rubber Track Frame and Drive Components - 05210BEZ

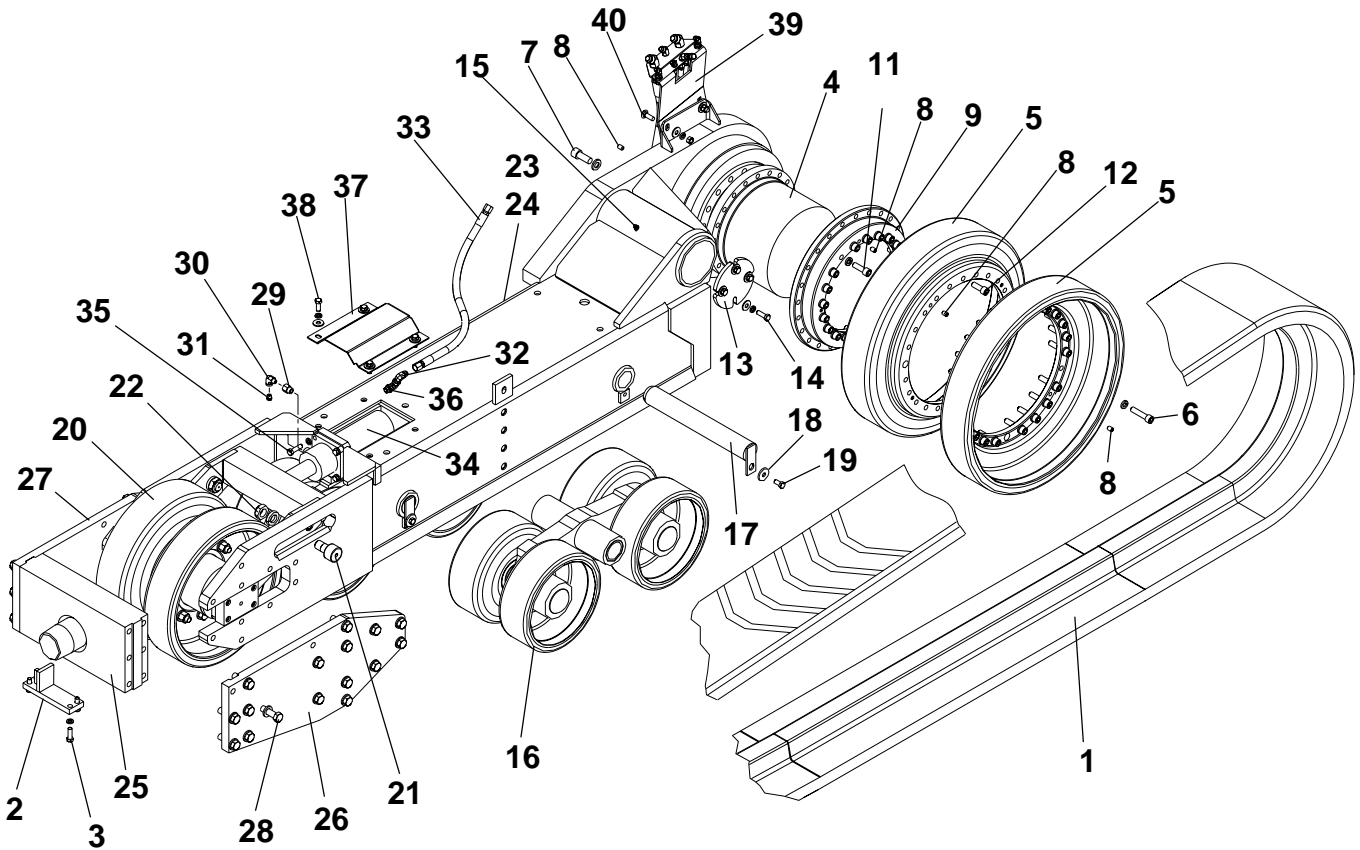
Ref No.	Description	Page No.
<a href="#">1</a>	<a href="#">Rubber Track Frame Illustration</a>	<a href="#">2</a>
<a href="#">2</a>	<a href="#">Rubber Track Frame Parts List</a>	<a href="#">3</a>
<a href="#">3</a>	<a href="#">Rubber Track Bogie Illustration</a>	<a href="#">4</a>
<a href="#">4</a>	<a href="#">Rubber Track Bogie Parts List</a>	<a href="#">5</a>
<a href="#">5</a>	<a href="#">Take Up Idler - Rubber Track - Illustration</a>	<a href="#">6</a>
<a href="#">6</a>	<a href="#">Take Up Idler - Rubber Track - Parts List</a>	<a href="#">7</a>
<a href="#">7</a>	<a href="#">Cylinder - Rubber Track</a>	<a href="#">8</a>
<a href="#">8</a>	<a href="#">Track Frame Scrapers</a>	<a href="#">9</a>
<a href="#">9</a>	<a href="#">Hydraulic Motor</a>	<a href="#">10</a>
<a href="#">10</a>	<a href="#">Rubber Track Plumbing</a>	<a href="#">11</a>
<a href="#">11</a>	<a href="#">De-Tracking Limit Switch</a>	<a href="#">12</a>

Note: This Track assembly includes several kits used by the factory to facilitate more effective parts ordering. Numerous items listed on the following parts pages are included in kits, but this kitted status does not affect replacement parts orders.

09709-050-08	Kit, Track Bogie	1
09709-050-01	Kit, Track Frames	1

**Return to Table  
of Contents Page**

### Rubber Track Frame



**Return to Table  
of Contents Page**

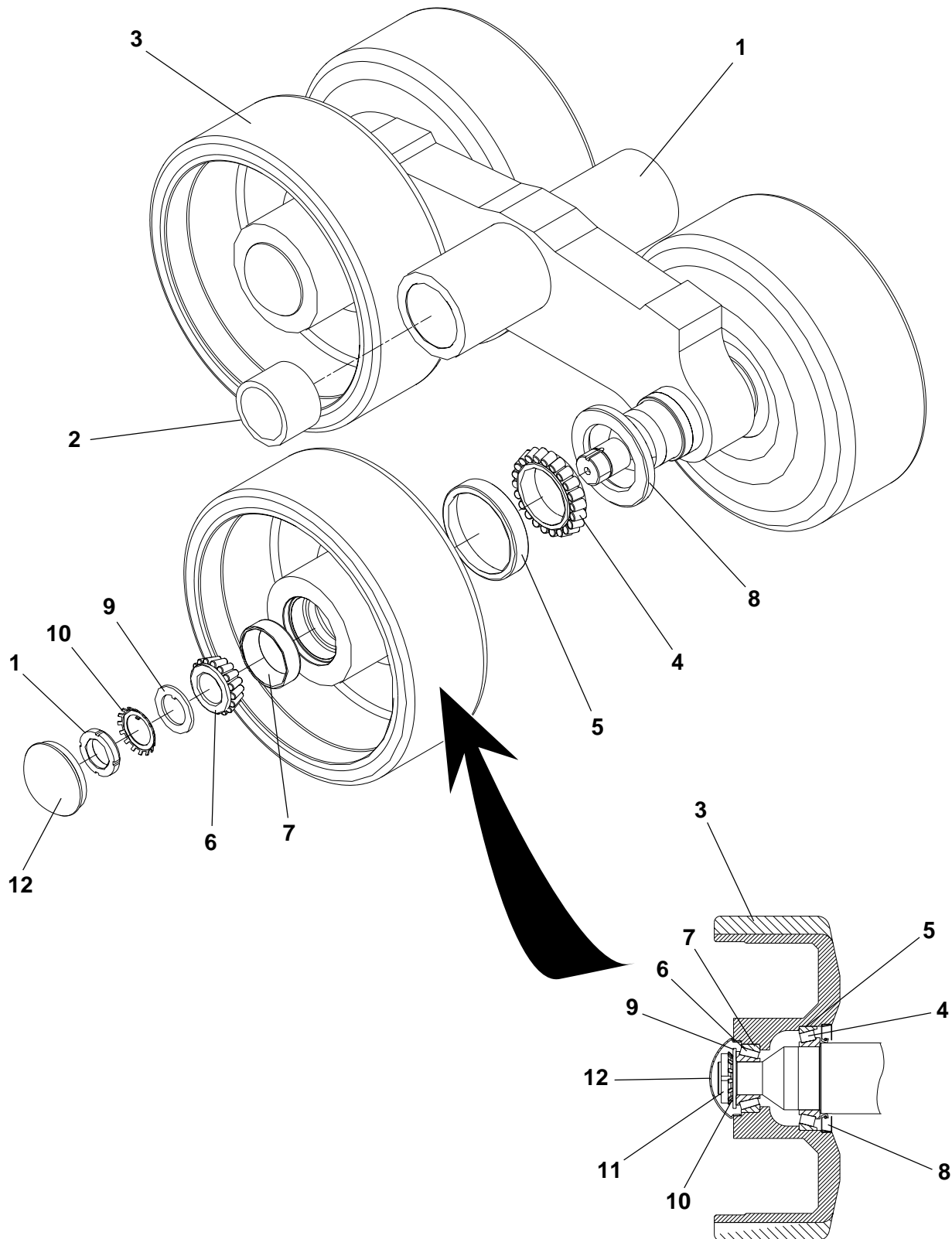


## Rubber Track Frame

Ref. No.	Part Number	Description	Quantity
1	45610-003-04	Track, Paver	2
2	9704-062-65	Bracket, Track Pivot Retaining	2
3	{ 7383-070	Capscrew, 1/2" NC x 1-1/2"	8
	{ 7014-005	Washer, 1/2" Lock	8
	9704-063-78	Hydraulic Motor Assembly - Includes Tamper-Proof Caps	2
4	45080-006-22	Hydraulic Motor - See Form #21739, Following Pages	2
5	9704-062-30	Drive Wheel, 14" Rubber Track	4
6	7026-037	Capscrew, SCH 5/8" NF x 2-3/4"	44
7	{ 45890-300-29	Capscrew, SCH M20 x 50	32
	{ 7465-003	Washer, 3/4" Hardened Flat	32
8	7131-101	Screw, Set 1/2" NC x 5/8"	32
9	9704-062-34	Adapter Ring, Drive Wheel	2
10	45890-303-03	Capscrew, SCH 16MM	40
11	7014-007	Washer, 5/8" Lock	84
12	7026-033	Capscrew, SCH 5/8" NF x 1-3/4"	4
13	9704-059-69	Plate, Shaft End	2
14	{ 7383-070	Capscrew, 1/2"NC x 1-1/2"	8
	{ 7014-005	Washer, 1/2" Lock	8
	{ 7014-020	Washer, 1/2"	8
15	7051-010	Fitting, Grease 1/4" 90°	2
16	9704-062-50	Bogie Assembly - See Form #22020-22021, Following Pages	4
17	9704-062-62	Shaft, Bogie Pin	4
18	9700-459	Washer	4
19	7383-068	Capscrew, 1/2" NC x 1"	4
20	9704-062-25	Idler Assembly - See Form #22022-22023, Following Pages	2
21	45134-003-31	Cam Roller	4
22	{ 7014-012	Washer, 1-1/8"	4
	{ 7017-055	Hex Nut 1-1/8" NF Jam	4
23	9704-063-85	Frame, L.H. Track - Weldment	1
24	9704-063-86	Frame, R.H. Track - Weldment	1
25	9704-062-32	Plate, Nose	2
26	9704-061-45	Plate, L.H. Nose	2
27	9704-061-46	Plate, R.H. Nose	2
28	{ 7465-003	Washer, 3/4" Hardened Flat	64
	{ 7383-120	Capscrew, 3/4" NC x 2-1/2"	64
29	45720-775-29	Fitting	2
30	45720-770-02	Elbow, 90° 1/4"	2
31	45690-004-04	Breather, Vent 1/4"	2
32	7430-405	Elbow, 1/2" Swivel	2
33	7662-032-33	Hose Assembly, 1/2" 100R2 x 32"	2
34	45090-010-09	Hydraulic Cylinder - See Form #21817, Following Pages	2
35	{ 7383-071	Capscrew, 1/2" NC x 1-3/4"	8
	{ 7014-005	Washer, 1/2" Lock	8
36	7430-278	Elbow, 90° 3/4" x 1/2" - Includes O-Ring	2
37	9704-062-07	Cover, Cylinder (Included in Kit, P/N 9709-050-01)	2
38	{ 7014-020	Washer, 1/2"	8
	{ 7014-005	Washer, 1/2" Lock	8
	{ 7383-069	Capscrew, 1/2" NC x 1-1/4"	8
39	9704-062-70	Bracket, Hose Support	2
40	{ 7072-102	Carriage Bolt, 1/2" NC x 1-1/2"	4
	{ 7014-020	Washer, 1/2"	4
	{ 7014-005	Washer, 1/2" Lock	4
	{ 7012-027	Hex Nut 1/2" NC	4

Return to Table  
of Contents Page

### Rubber Track Bogie



**Return to Table  
of Contents Page**



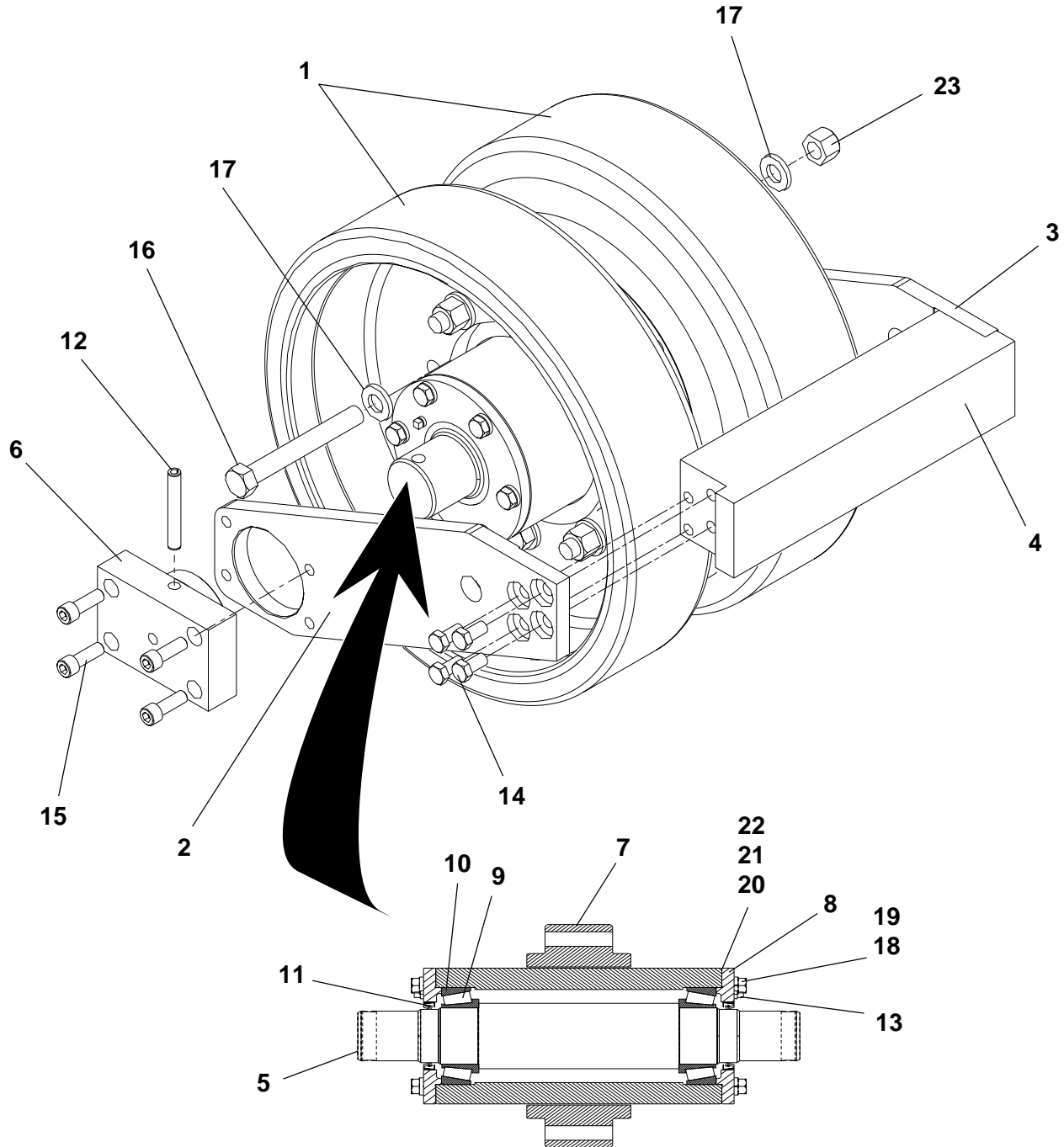
## Rubber Track Bogie

Ref. No.	Part Number	Description	Quantity
	9704-062-50	Bogie Assembly ( <i>complete</i> )	1
1	9704-062-49	Bogie, 14" Rubber Track	1
	7030-008	Bearing Nut	4
2	45030-002-08	Bushing	2
3	9704-062-31	Bogie Wheel, 14" Rubber Track	4
4	45130-001-33	Bearing Cone	4
5	45130-002-81	Bearing Cup, 4.3307 OD .7411	4
6	45130-001-94	Bearing Cone, 1.375" Bore	4
7	45130-002-67	Bearing Cup, 2.8437" OD	4
8	45200-292	Seal, Shaft - 2.938" Dia.	4
9	45130-500-15	Washer, Tongued - 1.376" Dia.	4
10	45130-500-14	Washer, Lock Bearing 1.375"	4
11	45404-501-05	Hubcap, Grease Cap / Wheel Hub	4

**NOTE: Quantities shown are for one (1) Bogie assembly only.**

**Return to Table  
of Contents Page**

**Take-Up Idler - Rubber Track**





**Return to Table  
of Contents Page**



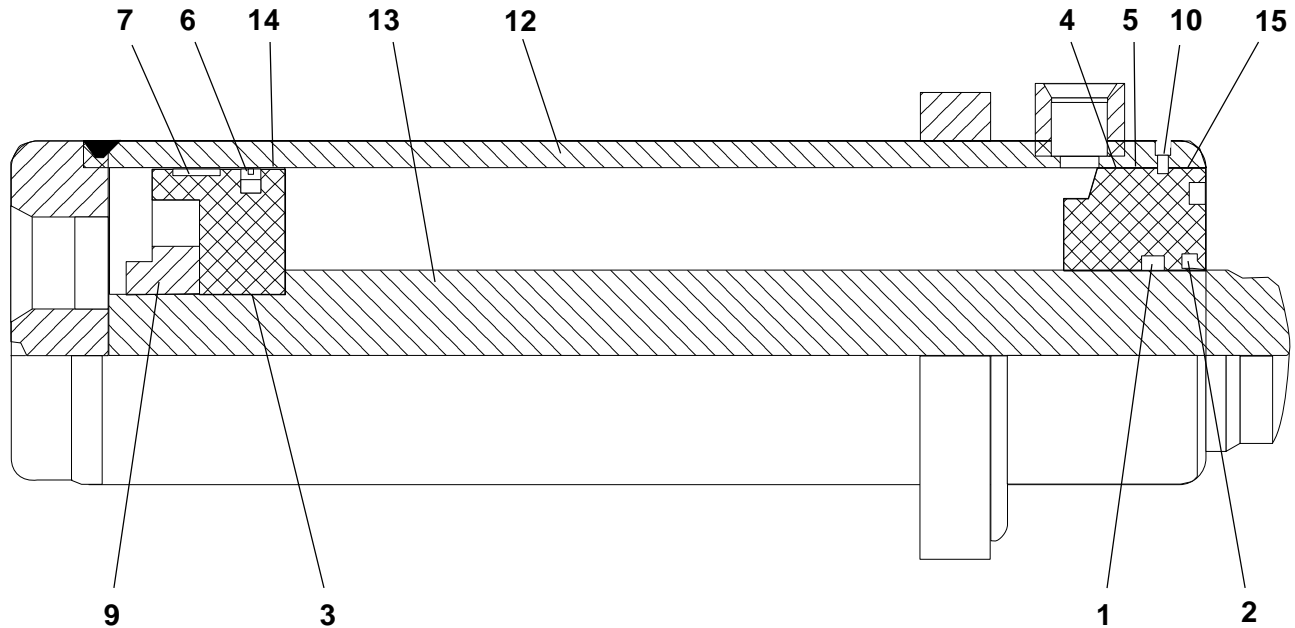
## Take-Up Idler - Rubber Track

Ref. No.	Part Number	Description	Quantity
	9704-062-25	Idler Assembly ( <i>complete</i> )	1
1	9704-062-29	Idler, Wheel - 14" Rubber Track	2
2	9704-062-23	Plate, L.H. Idler - Take-Up	1
3	9704-062-24	Plate, R.H. Idler - Take-Up	1
4	9704-062-27	Push Bar, Idler - Take-Up	1
5	9704-062-28	Shaft, Idler	1
6	9704-061-39	Slider, Idler - Slide Block	2
7	9704-062-26	Housing, Idler	1
8	9704-056-04	Cap	2
9	7132-010	Bearing Cone, 2.9062" Bore	2
10	7132-001	Bearing Cup, 5" OD	2
11	45200-046	Oil Seal, 2-3/4" ID x 3-1/2"	2
12	7238-158	Roll Pin, 1/2" x 3-1/2"	2
13	7024-001	Pipe Plug, 1/8"	2
14	7383-068	Capscrew, 1/2" NC x 1"	8
15	7025-022	Capscrew, Sockethead - 1/2" NC x 1-1/2"	8
16	45890-252-33	Capscrew, 3/4" NF x 6"	8
17	45890-255-51	Washer, 3/4" Hardened Flat	16
18	7383-069	Capscrew, 1/2" NC x 1-1/4"	12
19	7014-005	Washer, 1/2" Lock	12
20	7048-053	Bearing Shim, 5-1/32" ID	2
21	7048-054	Bearing Shim, 5-1/32" ID	3
22	7048-052	Bearing Shim, 5-1/32" ID	1
23	45890-100-52	Locknut, 3/4" NF	8

**NOTE: Quantities shown are for one (1) idler assembly only.**

**Return to Table  
of Contents Page**

**Cylinder - Rubber Track**

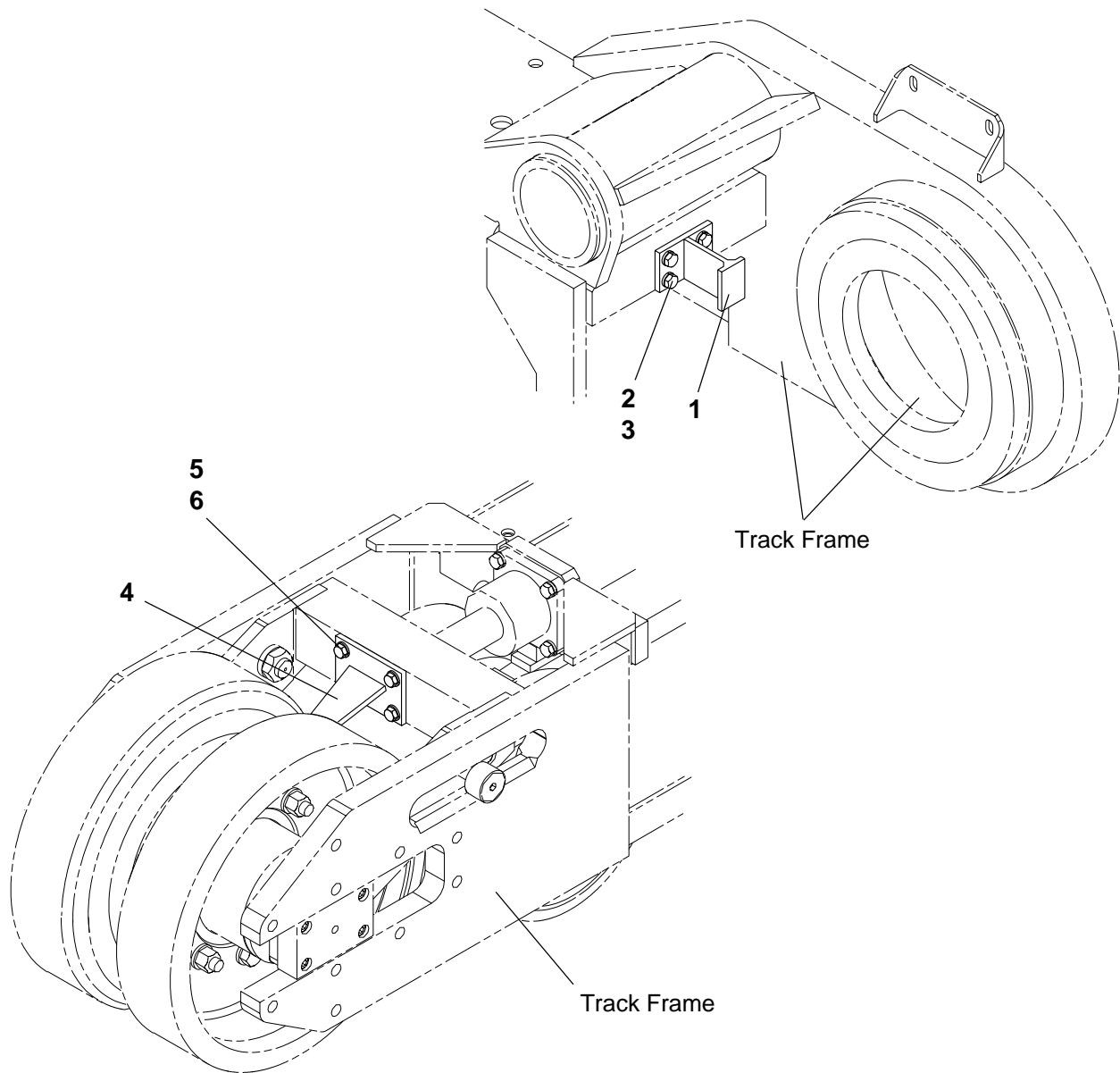


Ref. No.	Part Number	Description	Quantity
	45090-010-09	Cylinder Assembly ( <i>complete</i> )	1
1	45090-010-09-01	Wiper	1
2	45090-010-02	Seal	1
3	45090-010-03	O-Ring	1
4	45090-007-88-03	O-Ring	1
5	45090-007-88-04	Back-Up	1
6	45090-010-09-04	Seal	1
7	45090-010-09-05	Wear Ring	1
8	45090-010-09-06	Seal Kit (Not Shown)	1
9	45090-010-09-07	Lock Nut	1
10	45090-010-09-08	Retaining Ring	1
11	45090-007-88-09	Port Plug (Shipping Purposes Only)	2
12	45090-010-09-09	Tube Assembly	1
13	45090-010-09-10	Rod	1
14	45090-010-09-11	Piston	1
15	45090-010-09-12	Head	1

***NOTE: Quantities Listed for one (1) Cylinder Assembly Only:***

**Return to Table  
of Contents Page**

**Track Frame Scrapers**

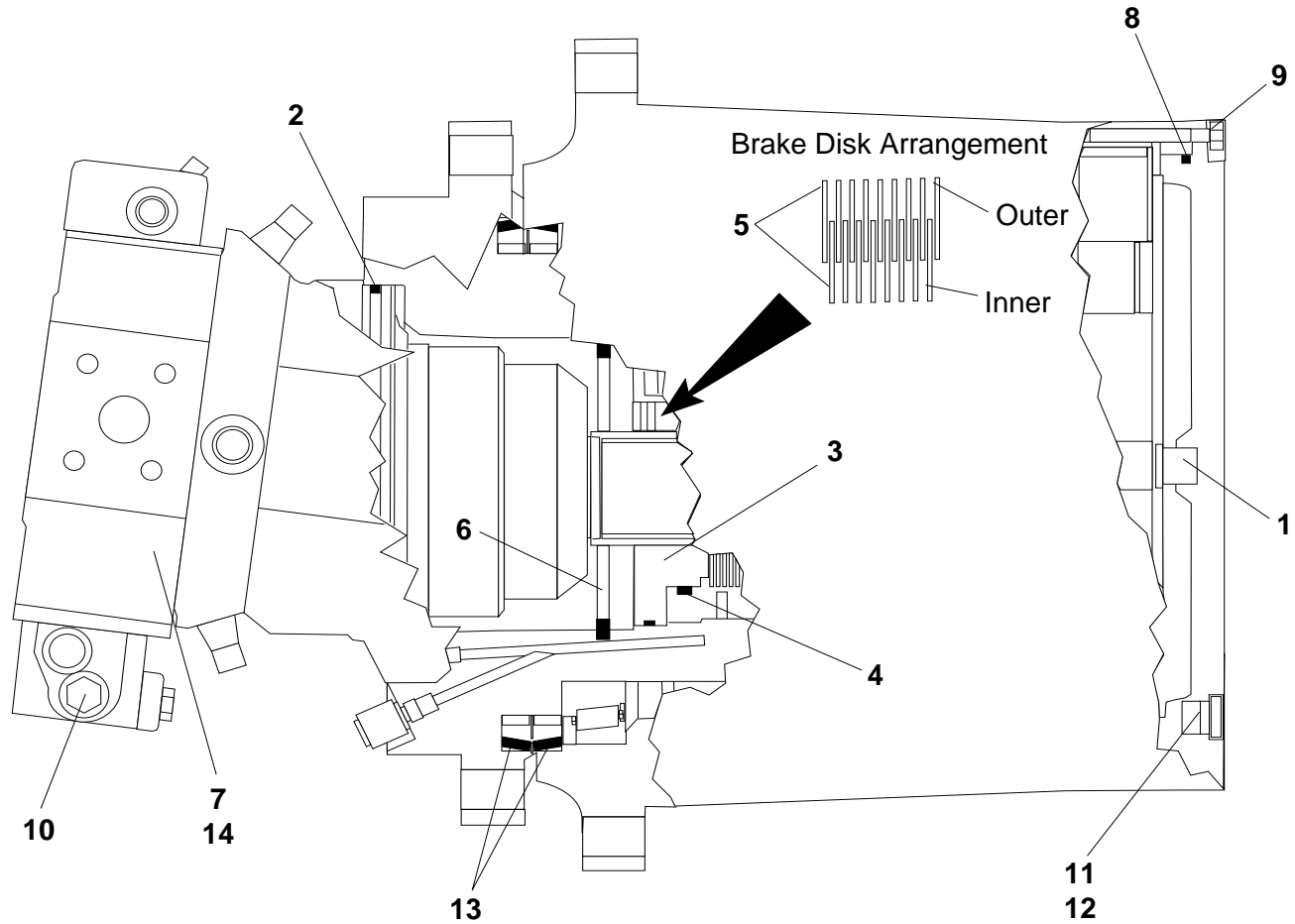


Ref. No.	Part Number	Description	Quantity
1	9704-063-67	Weldment, Rear Scraper	2
2	7465-001	Washer, 1/2" Hardened Flat	4
3	7383-069	Capscrew, 1/2" NC x 1-1/4"	8
4	9704-063-68	Weldment, Front Scraper	1
5	7465-002	Washer, 5/8" Hardened Flat	8
3	7383-099	Capscrew, 5/8" NC x 1-1/4"	8

Note: Early models used lockwashers and longer capscrews. Replacement hardware should include both capscrews and flat washers as listed. Consult factory for additional information.

**Return to Table of Contents Page**

**Hydraulic Motor**

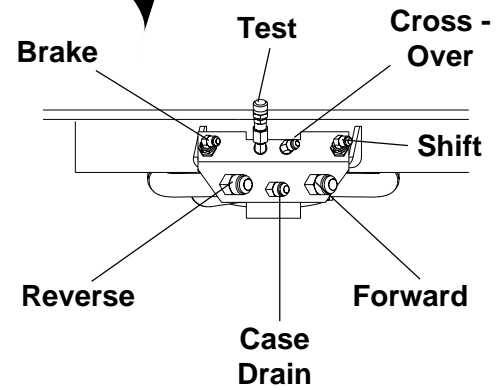
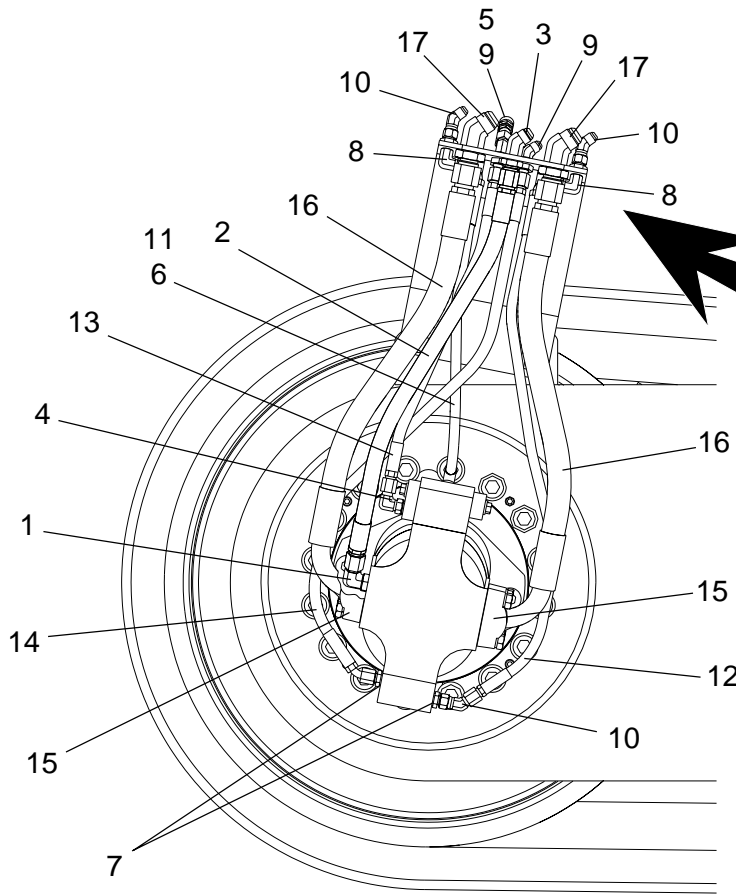


Ref. No.	Part Number	Description	Quantity
	45080-006-22	Hydraulic Motor - <i>Complete</i>	
1	45080-006-22-04	Button, Thrust	1
2	45259-508-83	O-Ring	1
3	45080-006-22-05	Piston	1
4	45080-006-22-03	Brake Seal Kit	1
5	45080-006-22-02	Brake Disk Kit	1
6	45080-006-22-06	Ring, Snap	1
7	45080-006-08-01	Motor, Hydraulic	1
8	45259-508-92	O-Ring	1
9	45080-006-22-01	Bolt, Hex Head	12
10	45080-006-08-02	Valve, Flushing	1
11	45080-004-79-05	Ring, Seal	2
12	45080-004-79-06	Plug	2
13	45080-004-79-14	Seal, Face	1
14	45080-006-08-03	Kit, O-Ring - Motor ( <i>Included with item 7</i> )	1

**NOTE:** Quantities shown are for one (1) motor assembly.

**Return to Table  
of Contents Page**

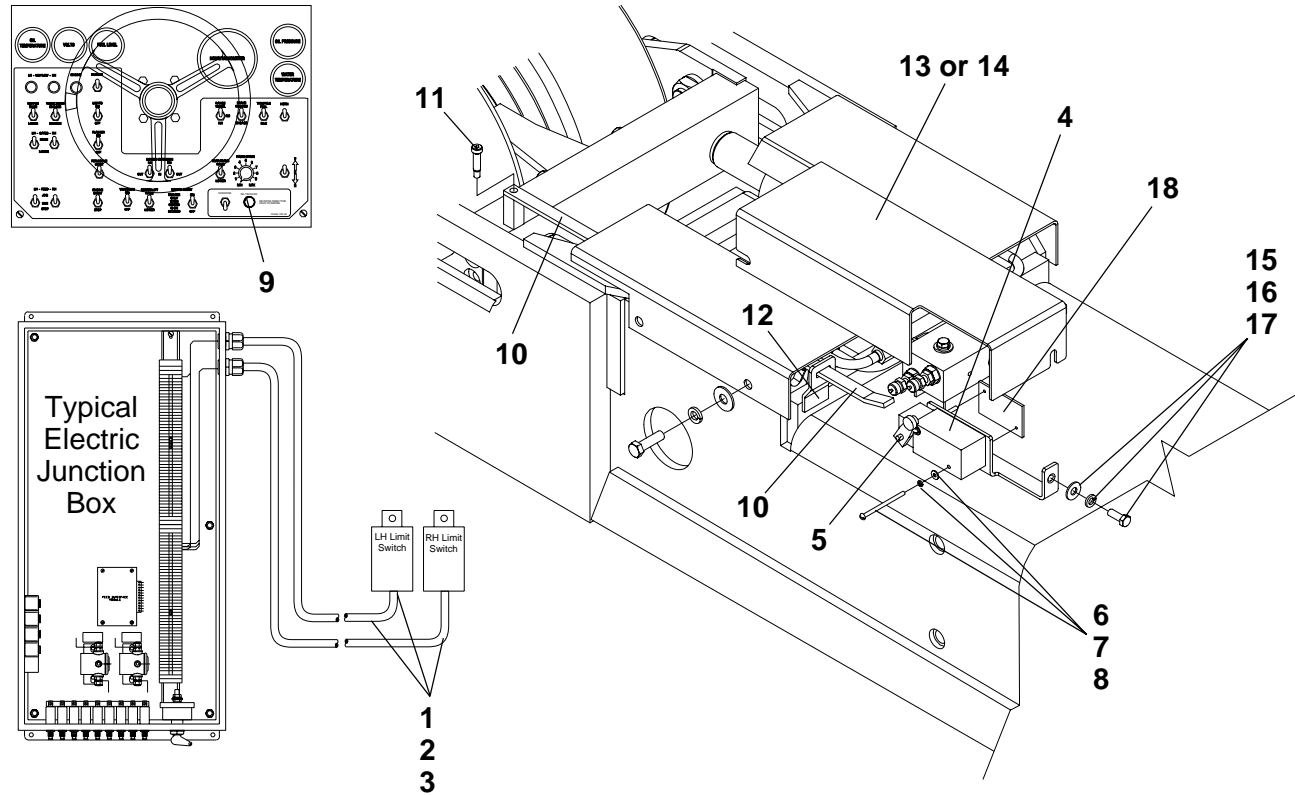
**Rubber Track Plumbing**



Ref. No.	Part Number	Description	Quantity
1	45720-776-12	Elbow, M18 x 1.5 x 1/2"	2
2	7652-024-33	Hose Assembly 1/2" ID x 24"	2
3	7430-411	Elbow, 45° 1/2" Union	2
4	45720-776-10	Elbow, M14 x 1.5 x 3/8"	2
5	45080-527-18	Fitting, Test 3/8"	2
6	7430-416	Connector, 3/8" x 1/4"	2
7	45720-775-49	Fitting, M14 x 1.5 x 3/8"	4
8	7430-379	Elbow, 90° 3/8" Union	4
9	7430-454	Elbow, 45° 3/8" Bulkhead	4
10	7430-426	Elbow, 45° 3/8" Swivel	6
11	7650-021-35-01	Hose Assembly, 1/4" ID x 21"	2
12	7650-032-35-02	Hose Assembly	2
13	7660-020-33-01	Hose Assembly	2
14	7660-032-34-01	Hose Assembly	2
15	45191-004-91	Clamp, Half 1"	8
	45259-508-11	O-Ring 1.296" ID 1-9/16"	4
	45890-300-66	Capscrew, M12 x 40 x 1.75	16
	45890-301-11	Washer, M12 x 18 x 2.5	16
16	7683-024-37-01	Hose Assembly, 3/4" ID x 24"	4
17	7430-430	Connector, 45° 3/4" Bulkhead	4

**Return to Table  
of Contents Page**

**De-Tracking Limit Switch**



Ref. No.	Part Number	Description	Quantity
-	9704-376-51	Limit Switch Assembly - Right Hand	1
-	9704-376-53	Limit Switch Assembly - Left Hand	1
1	56020-002-01	Cable, 16/3	As Req
2	46026-035-15	Connector, 3/4" Size Hub	2
3	46275-010-31	Connector, 3 Way Shroud	2
4	46200-001-29	Switch, Limit	2
5	46200-505-03	Arm, Lever	2
6	7436-109	Machine Screw, #10 x 3"	4
7	7439-028	Washer, #10 Flat	4
8	7439-003	Lockwasher, #10	4
9	Reference Only	See Control Console Parts Page in this manual	-
10	9704-064-09	Pointer, Limit Switch	2
11	7455-012	Shoulder Screw, 3/8" x 5/8"	2
12	Reference Only	Guide, Pointer - Part of Track Frame Weldment	-
13	9704-064-25	Guard, Limit Switch - Left Side	1
14	9704-064-26	Guard, Limit Switch - Right Side	1
15	7383-038	Capscrew, 3/8" x 1"	2
16	7014-018	Washer, 3/8" Flat	2
17	7014-003	Lockwasher, 3/8"	2
18	9704-064-12	Clamp, Limit Switch	2