







Table of Contents

BOM	Description	Page
Serial Number 060510		
PaverMenuSheet	Operation Manual Menu Sheet	1
05046XEL	Automation - Slope Sensor Mounting	3
05237XAE	Automation - Topcon System 5 Grade & Slope	5
05234RBE	Basket Plumbing - Basic Hydraulic Components	7
05210QXE	Basket Plumbing - Charge Filters	15
05210WJH	Electrical - Backup Alarm Kit	17
05234JAH	Electrical - Console and Junction Box	19
05210JAJ	Engine & Pumps - Batteries	27
05234PGJ	Engine & Pumps - Fuel System	29
05234QCB	Engine & Pumps - Hydraulic Reservoir Package	33
05234GAC	Engine & Pumps - Power Mounting	41
05234DAA	Engine & Pumps - Pump Drives	47
05234DMA	Engine & Pumps - Tractor Plumbing - Electric Screeds	53
05234DFC	Feed System - Conveyor & Auger Drives	55
05210FCK	Feed System - Screw Conveyor Mounting	59
05210EAP	Feed System - Slat Conveyor Components	61
05234EAA	Feed System - Slat Conveyor Components	65
05210FER	Feed System - Sonic Feed Controls	69
05234SDA	Fume System - Fume Fan Assembly Parts	71
05210HFQ	Fume System - Hoods & Ducting	75
05234LAD	Main Frame - Accessories	77
05037MZT	Main Frame - Console Cover	81
05210MAL	Main Frame - Console Mechanical	83
05234KCD	Main Frame - Emblems	85
05234BGA	Main Frame - Fenders	87
05234AAA	Main Frame - Frame, Hood, Hopper & Liners Kit	89
05234HAB	Main Frame - Hood Sub-Assembly	95
05234AGA	Main Frame - Hopper Wings	101
05234KBA	Main Frame - Miscellaneous Serial Parts	103
05234LCA	Main Frame - Noise Baffles	105
05234AAD	Main Frame - Noise Suppression Components	107
05032KGC	Main Frame - Operator's Seat	109
05234PRA	Main Frame - Spray Down Hose Reel	111
05210JKJ	Main Frame - Strobe Kit	113
05046YUB	Main Frame - Umbrella	115
05234YCD	Push Rollers - 1" Spacer Blocks	117
05234YAA	Push Rollers - Oscillating Push Roller Assembly	119

## Table of Contents

BOM	Description	Page
Serial Number 060510		
05237QAC	Screed - 20KVA Generator	121
05237AAC	Screed - Basic Components	127
05037PQG	Screed - Decal for Electric Screed	139
05237KBA	Screed - Decals & Emblems	141
05037PSJ	Screed - Electrical Components	143
05037PJV	Screed - End Gates & Jacks	151
05237RBA	Screed - Hydraulic Components	153
05237RHD	Screed - Hydraulic Hose Kit	161
05237CAA	Screed - Power Crown Option	163
05210XSL	Screed - Pull Arm Components	165
05237DAC	Screed - Rear Extending Components	169
05032VAK	Screed - Screed Assist Package	175
05237RAC	Screed - Tractor Connecting Parts	177
05237EAB	Screed - Vibrator Components	179
05037PKW	Screed - Vibrators, Rear Screed	181
05237MAA	Screed - Walkways & Ladder	183
05234RCB	Track System - Frame Raise Components	185
05210BGU	Track System - Track, Drive & Plumbing Components	193



## Standard Paving Equipment Operation & Maintenance Instructions.

The following publications compose the Operation & Maintenance Manuals for this Equipment.

### MANUALS - TRACTORS

PART NO.	FORM	DESCRIPTION
499992523101	21286	CR300 O&M
499992523102	21284	CR400 Slat O&M
499992523103	21521	CR400 Remix O&M
499992523104	20850	CR500 Slat O&M
499992523105	21522	CR500 Remix O&M
499992523106	23028	300 Series - Tier II/Tier III
499992523107	23029	400 Series - Tier II/Tier III
499992523108	23030	500 Series - Tier II/Tier III
499992523109	23915	662RM RoadMix O&M

### MANUALS - SCREEDS

PART NO.	FORM	DESCRIPTION
499992523201	19373	Fastach 8 Screed O&M
499992523202	18537	Fastach 10 Screed O&M
499992523203	22415	Fastach II O&M
499992523204	22416	ST16-18 O&M
499992523205	18565	Stretch 20 Screed O&M
499992523207	23596	VersaScreed O&M

### MANUALS - CONTROLS

PART NO.	FORM	DESCRIPTION
49999176	20576	Gen III Sonics O&M
499992526001	18121	Sundstrand Auto Grade & Slope O&M
499992526003	22806	AGL EZ-PAV O&M
49999188	21048	Topcon System 4 O&M
499992526002	22506	Topcon SAS O&M
499992526004	23021	Topcon System 5 & Smoothtrac O&M
499992526007	23561	Moba-Matic Operation (Includes 23562, Moba Big-Ski - Do not order separately)
499992526008	23562	Moba Big-Ski Installation
499992526011	24580	Moba Mechanical Grade & Slope Control System

### PAVER SAFETY MANUAL

**Note:** A safety manual is supplied with each machine shipment within Manuals Package 04418-795-01.  
All Manuals supplied following original machine shipment must include a safety manual.

499992526005	AP-120-02	AEM Paver Safety Manual
--------------	-----------	-------------------------

### SCHEMATICS - TRACTOR HYDRAULIC

PART NO.	DESCRIPTION
4495-008	400/500 Series Slat Pavers
4495-012	300 Series Slat Pavers
4495-014	400/500 Series Remix Pavers
4495-019	662RM Road Mix Machine
4495-028	300L Series Pavers
4495-033	300L Series Pavers

### SCHEMATICS - TRACTOR ELECTRICAL

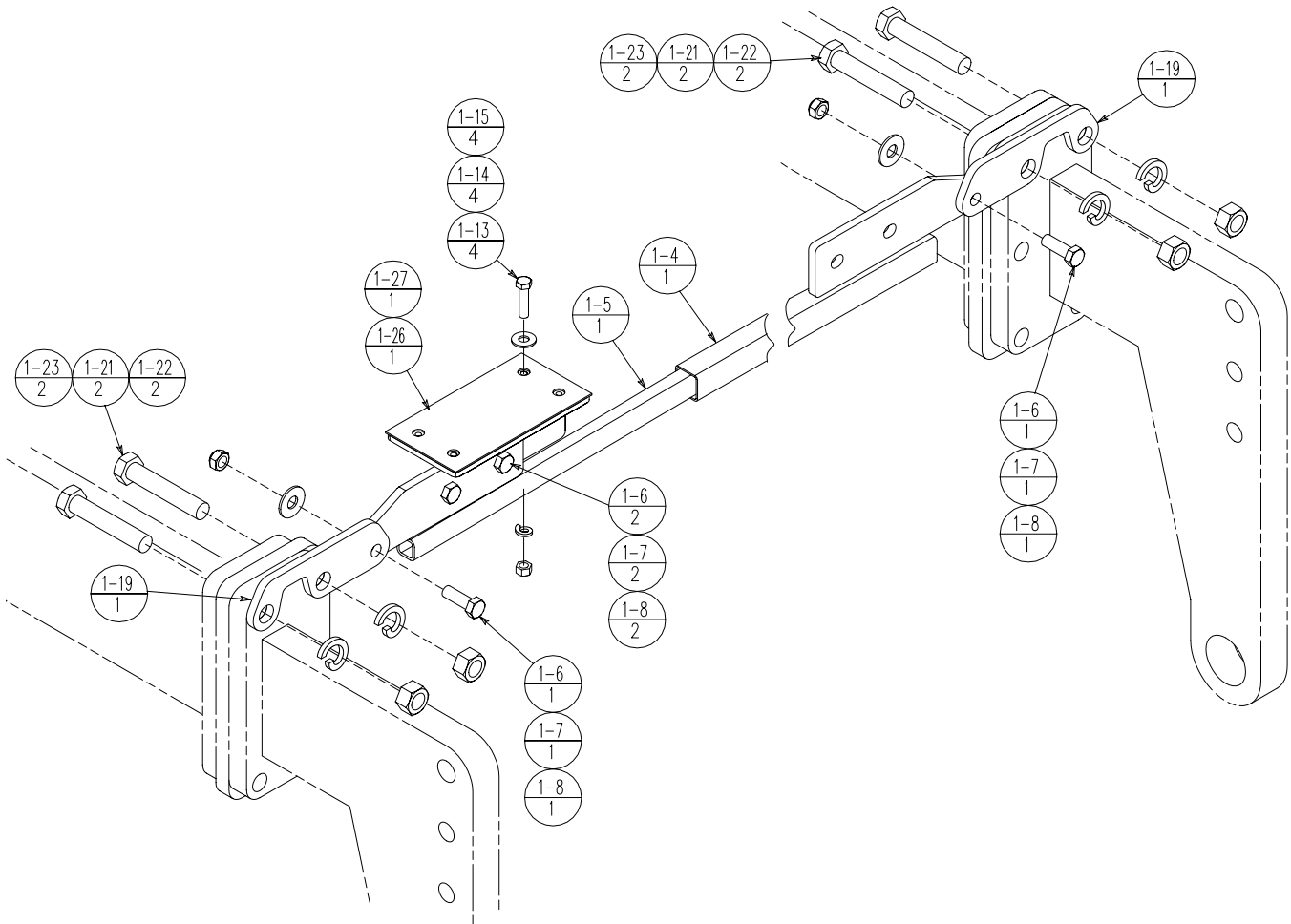
PART NO.	DESCRIPTION
4494-105-19	352 Slat Pavers - Tier II
4494-105-20	362 Slat Pavers - Tier II
4494-105-21	452/552 Slat Pavers - Tier II
4494-105-22	462/562 Slat Pavers - Tier II
4495-022	662RM Road Mix Machine
4495-023	452/552 Slat Pavers - Tier III
4495-024	462/562 Slat Pavers - Tier III
4495-025	452/552 Remix Pavers - Tier III
4495-026	462/562 Remix Pavers - Tier III
4495-030	352L Slat Paver - Tier III
4495-031	362L Slat Paver - Tier III
4495-032	662RM Road Mix Machine
4495-038	362L Slat Paver - Tier III
4495-040	452/552 Slat Pavers - Tier III
4495-041	462/562 Slat Pavers - Tier III

### SCHEMATICS - SCREEDS

PART NO.	DESCRIPTION
4495-004	Hydraulic Schematic - All Stretch Screeds
4495-005	Hydraulic Schematic - All Fixed Screeds
4495-007	Electric Schematic & Generator Drive Hydraulic Schematic - Stretch Elec Screeds <b>(Note: Requires Hyd Schematic 4495-004 also)</b>
4495-011	Electric & Hydraulic Schematic (20kW/1PH Generator) - Fastach II Screed
4495-013	Electric & Hydraulic Schematic - VersaScreed
4495-029	Electric & Hydraulic Schematic - Fastach Electric Screeds
4495-035	Electric & Hydraulic Schematic - Fastach Electric Screeds



**Slope Sensor Mounting Kit - Topcon System**  
Parts List No. 05046XEL



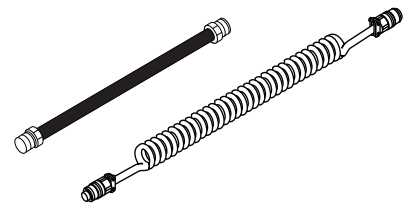
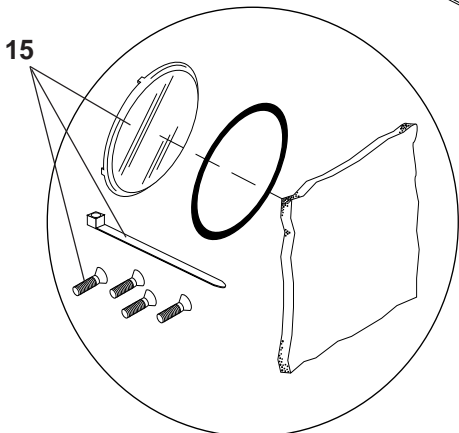
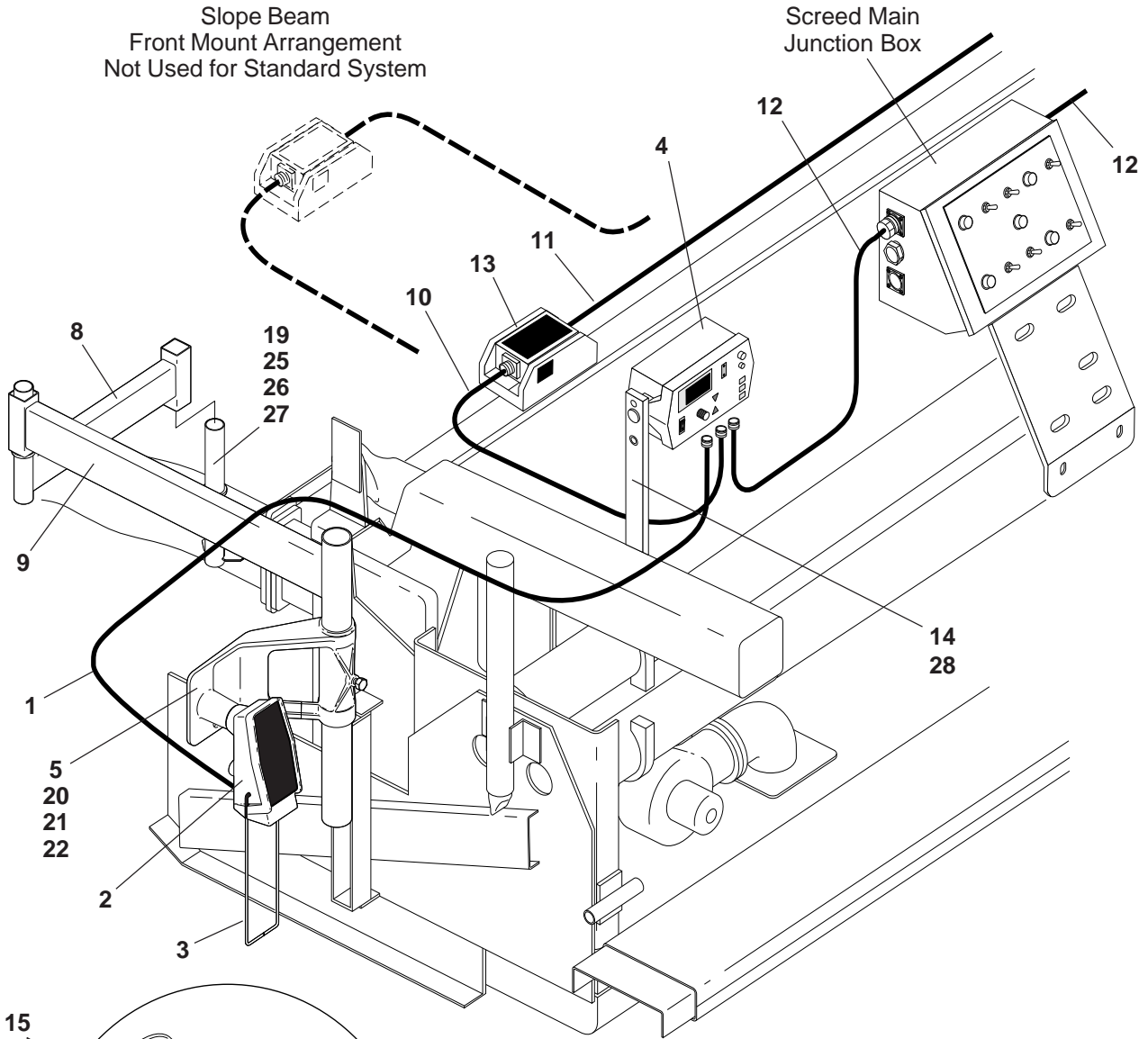
Ref. No.	Part Number	Description	Quantity
1-4	9704-905-76	Beam, Slope	1
1-5	9704-905-77	Beam, Slope	1
1-6	7383-070	Capscrew, 1/2" x 1-1/2"	4
1-7	7014-020	Washer, 1/2" Flat	4
1-8	45890-102-28	Locknut, 1/2"	4
1-13	7383-040	Capscrew, 3/8" x 1-1/2"	4
1-14	7014-003	Lockwasher, 3/8"	4
1-15	7012-025	Hex Nut, 3/8"	4
1-19	9704-905-84	Flat, Mounting	2
1-21	7014-009	Lockwasher, 3/4"	4
1-22	7383-126	Capscrew, 3/4" x 4"	4
1-23	7012-030	Hex Nut, 3/4"	4
1-26	9704-905-22	Mount, Slope Sensor	1
1-27	9704-906-73	Rubber, Vibration Isolation	1





CEDARAPIDS

Topcon System 5 - Grade & Slope System



Typical Cable Assemblies

Spare Transducer Kit



## CEDARAPIDS

## Topcon System 5 - Grade &amp; Slope System

Parts List No. 05237XAE

Ref. No.	Part Number	Description	Quantity
	46061-551-61	Control System, Sonic Tracker II - System V (Complete)	-
1	46061-551-26	Cable, 15' Coil Cord - Control Box to Controller	2
2	46061-551-49	Controller, Sonic Tracker II	2
3	46061-551-02-01	Temperature Bail	2
4	46061-551-62	Control Box, Topcon System V	2
5	46061-551-50	Mounting Bracket, Controller	2
6	46061-551-12	Kit, Mounting Bolt (Not Shown)	2
7	7383-115	Capscrew, 3/4" x 1-1/4" (Not Shown)	4
8	46061-551-55	"L" Arm Mount, Short	2
9	46061-551-56	"L" Arm Mount, Long	2
10	46061-551-16	Cable, 5' Slope Sensor (For Rear Mounting)	1
11	46061-551-57-05	Cable, 12' Slope Sensor (For Rear Mounting)	1
12	46061-551-57-07	Cable, Coil Cord (Control Box to Screed Main Junction Box)	2
13	46061-551-59	Slope Sensor (Less Baseplate)	1
14	46061-551-57-04	Bracket, Control Box Mounting	2
15	46061-551-39	Kit, Spare Transducer	2
16	46061-551-57-01	Carrying Case (Not Shown)	1
17	49999-253	Operation Manual - System Five (Not Shown)	1
18	46061-551-57-03	Card, Quick Reference - System Five (Not Shown)	1
19	9704-906-31	Mount, Pull Arm Bracket	2
20	7383-038	Capscrew, 3/8" x 1"	4
21	7014-003	Lockwasher, 3/8"	4
22	7012-025	Hex Nut, 3/8"	4
23	7470-103	Nameplate, Paver - Right (Not Shown)	1
24	7470-104	Nameplate, Paver - Left (Not Shown)	1
25	7014-005	Lockwasher, 1/2"	8
26	7014-020	Washer, 1/2" Flat	8
27	7383-070	Capscrew, 1/2" x 1-1/2"	8
28	9704-585-40	Flat, Topcon Mount Extension (Not Shown)	2

[Return to Table  
of Contents Page](#)

## Table of Contents

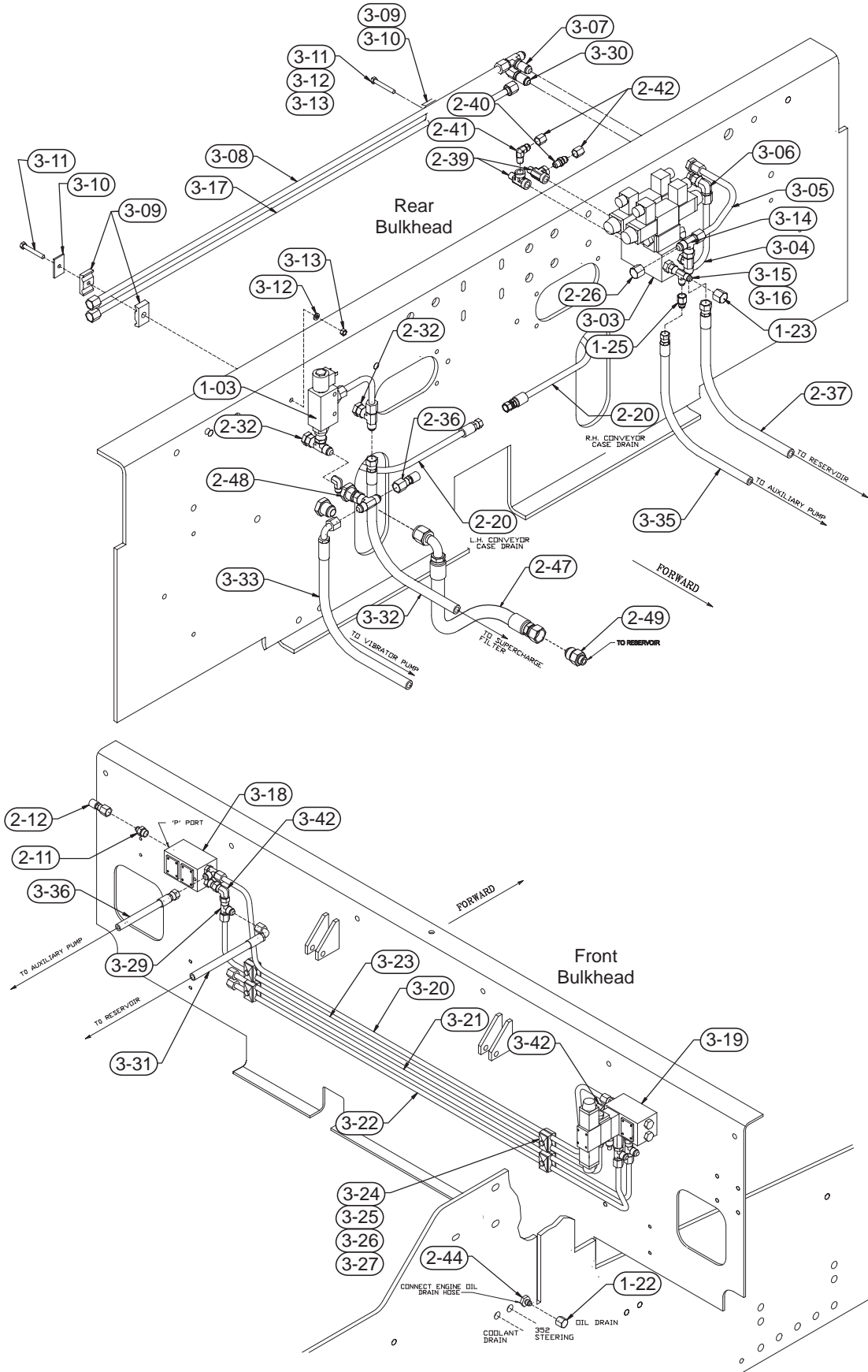
### Basket Plumbing & Hydraulic Components - 05234RBE

Ref No.	Description	Page No.
<a href="#">1</a>	<a href="#">Basket Plumbing Illustration</a>	<a href="#">2</a>
<a href="#">2</a>	<a href="#">Basket Plumbing Parts List</a>	<a href="#">3-4</a>
<a href="#">3</a>	<a href="#">Vibrator Valve Sub-Assembly</a>	<a href="#">5</a>
<a href="#">4</a>	<a href="#">Valve Assembly - Screed Lift</a>	<a href="#">6</a>
<a href="#">5</a>	<a href="#">Valve Assembly - L.H. Front Bulkhead</a>	<a href="#">7</a>
<a href="#">6</a>	<a href="#">Valve Assembly - R.H. Front Bulkhead</a>	<a href="#">8</a>

Return to Table of Contents Page



### Basket Plumbing





**Return to Table  
of Contents Page**



## Basket Plumbing

Parts List No. 05234RBE

Ref #	Part Number	REV	Part Name	Description	Qty
-	0970466383		ASSEMBLY DRAWING	BASKET PLUMBING	REF
103	0970865016	A	SUB-ASSEMBLY	VIBRATOR VALVE ( <i>See Form 24725</i> )	1
122	07430229		CAP	1/2"	1
123	07430228		CAP	3/8"JIC	1
125	4525901203	A	FITTING	ORIFICE 5/64" DIA	1
149	0970466302	A	SCHEMATIC	HYD 352/362	1
211	07430253		CONNECTOR	3/4"SAE 3/8"JIC	1
212	4508052718	-	FITTING	TEST 3/8"MALE JIC	1
220	0765101833	A	HOSE ASSY		2
226	07430229		CAP	1/2"	1
232	07430367		UNION	1/2"JIC BULKHD	2
236	4508052716	-	FITTING	TEST 1/2"JIC	1
239	4572077538	A	TEE	1/4" PIPE STEEL RUN	2
240	07430004		CONNECTOR	1/4"P X #6 JIC	1
241	07430019		ELBOW	1/4"PIPE X #6 JIC	1
242	07430228		CAP	3/8"JIC	2
244	07430367		UNION	1/2"JIC BULKHD	1
247	0765302135	A	HOSE ASSY	3/4" ID X 21"	1
248	07430438		TEE	#12 RUN BULKHD	1
249	07430261		CONNECTOR	#8 SAE 3/4" JIC	1
303	0970466282	A	VALVE ASSEMBLY	SCREED LIFT ( <i>See Form 23368</i> )	1
304	0970466176	B	TUBE ASSY		1
305	0970465841	B	TUBE ASSY	SCREED LOWER	1
306	07430405		ELBOW	1/2" SWIVEL	1
307	07430393		TEE	1/2" BULKHD	1
308	0970465839	A	TUBE ASSY	SCREED LIFT	1
309	4508052923	-	CLAMP HALF	FOR 1/2" TUBE	4
310	4508052926	-	PLATE	COVER FOR CLAMP	2
311	07383027		CAPSCREW	5/16"NC X 2-1/4	2
312	07014002		WASHER	5/16" LOCK	2
313	07012024		HEXNUT	5/16"NC	2
314	07430356		TEE	1/2"JIC SWIVEL NUT	1
315	07430344		TEE	3/8"JIC SWIVEL NUT	1
316	07430253		CONNECTOR	3/4"SAE 3/8"JIC	1
317	0970465876	D	TUBE ASSY		1
318	0970466280	C	VALVE ASSEMBLY	L.H. FRONT ( <i>See Form 23369</i> )	1
319	0970466379		VALVE ASSEMBLY	R.H. FRONT ( <i>See Form 24540</i> )	1
320	0970465835	B	TUBE ASSY	FRONT BASKET	1
321	0970465837	B	TUBE ASSY	HOPPER WING	1
322	0970465838	B	TUBE ASSY	HOPPER WING BTM	1
323	0970465836	A	TUBE ASSY	FRONT BASKET	1
324	4508052923	-	CLAMP HALF	FOR 1/2" TUBE	8
325	4508052926	-	PLATE	COVER FOR CLAMP	4
326	07383024		CAPSCREW	5/16"NC X 1-1/2	4
327	07014002		WASHER	5/16" LOCK	4
329	07430345		TEE	1/2"JIC SWIVEL NUT	1
330	07430392		ELBOW	1/2" BULKHD	1

CONTINUED

**Return to Table  
of Contents Page**



## Basket Plumbing

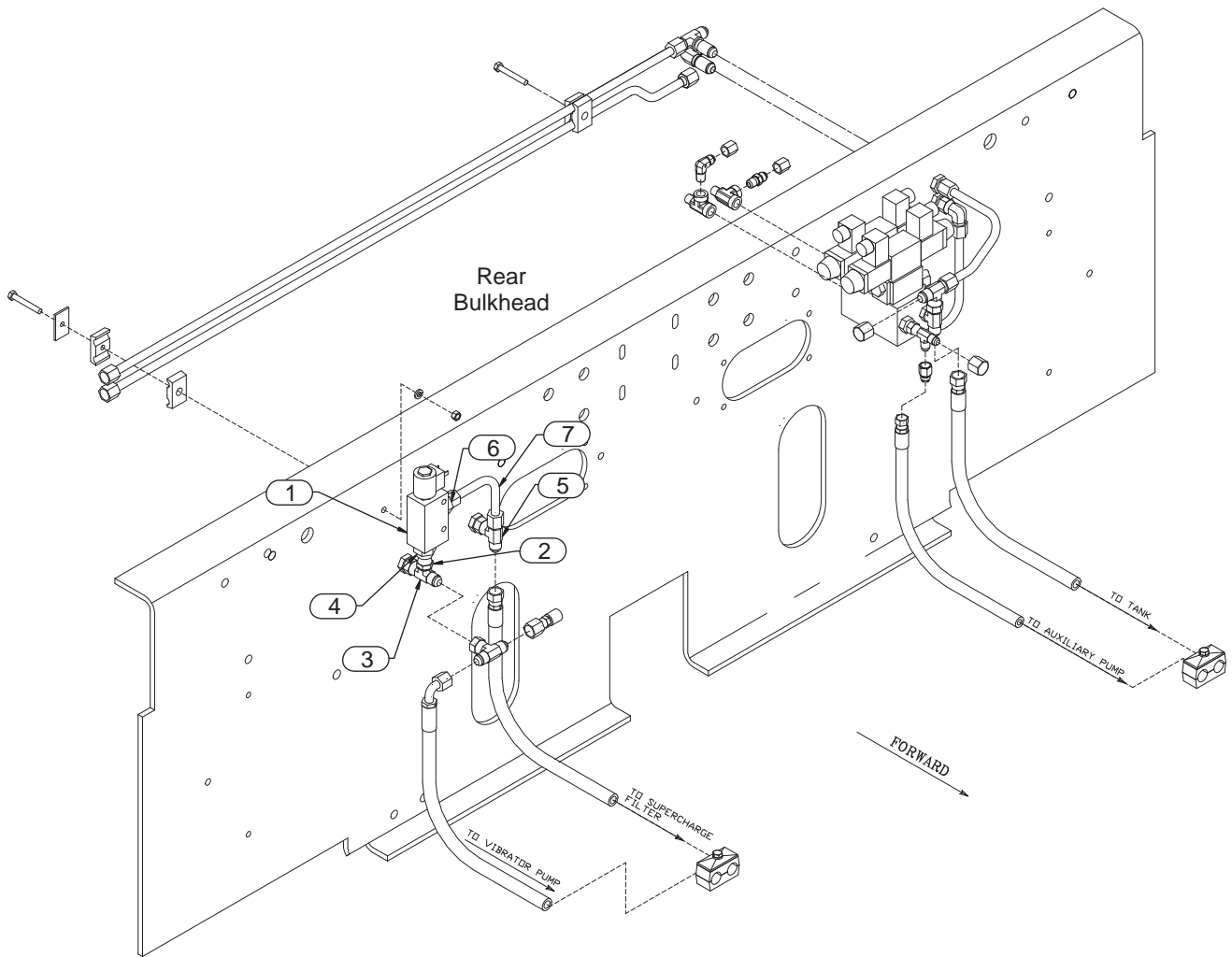
Parts List No. 05234RBE

Ref #	Part Number	REV	Part Name	Description	Qty
331	0765201735	-	HOSE ASSY	1/2" ID X 17"	1
332	0765214033	A	HOSE ASSY	1/2" ID X 140"	1
333	0765207035	A	HOSE ASSY	1/2" ID X 70"	1
335	076510663301	A	HOSE ASSY	3/8" ID X 65"	1
336	0765203335	A	HOSE ASSY	1/2" X 33"	1
337	0765202235	A	HOSE ASSY	1/2" ID X 22"	1
342	07430405		ELBOW	1/2" SWIVEL	2

**Return to Table  
of Contents Page**



**Vibrator Valve Sub-Assembly**  
Part No. 0970865016

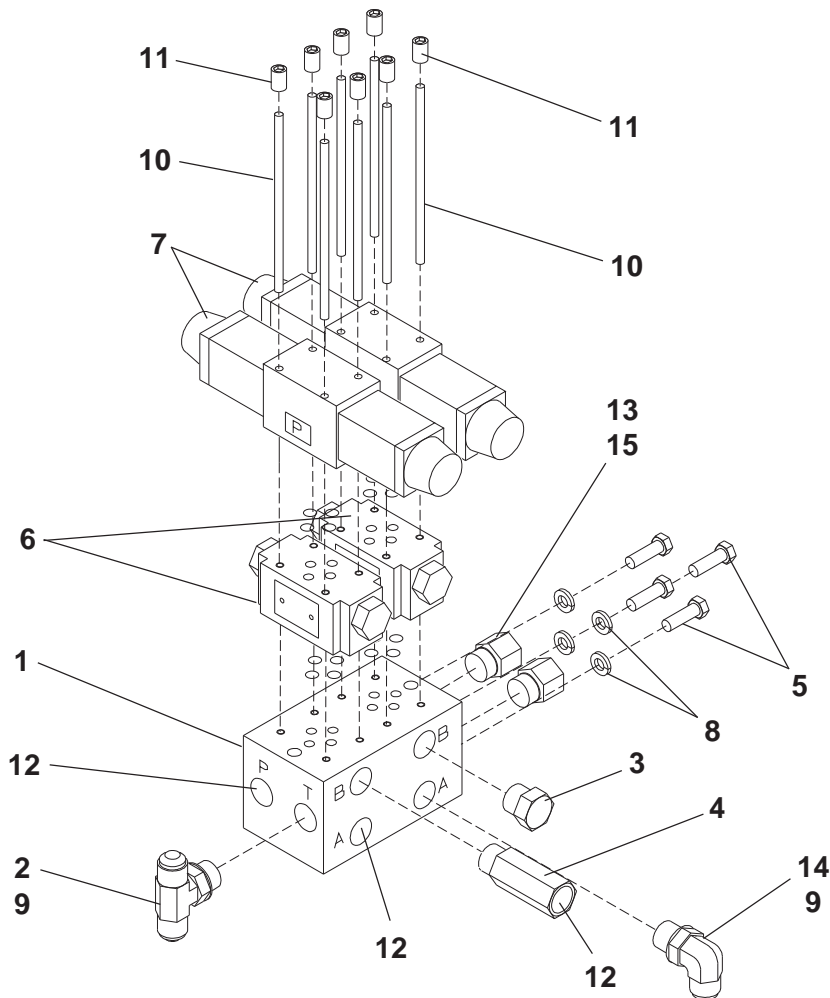


Ref #	Part Number	REV	Part Name	Description	Qty
1	4525201428		VALVE	VENTABLE RELIEF VAL	1
2	07430401		CONNECTOR	#8OR X1/2JIC FS	1
3	07430345		TEE	1/2"JIC SWIVEL NUT	1
4	4572077512	-	REDUCER	#12MSAE X #8FSAE	1
5	07430356		TEE	1/2"JIC SWIVEL NUT	1
6	07430257		CONNECTOR	1-1/16"SAE 1/2"	1
7	0970466378		TUBE ASSY	VIBRATOR VALVE	1

**Return to Table  
of Contents Page**



**Valve Assembly - Screed Lift**

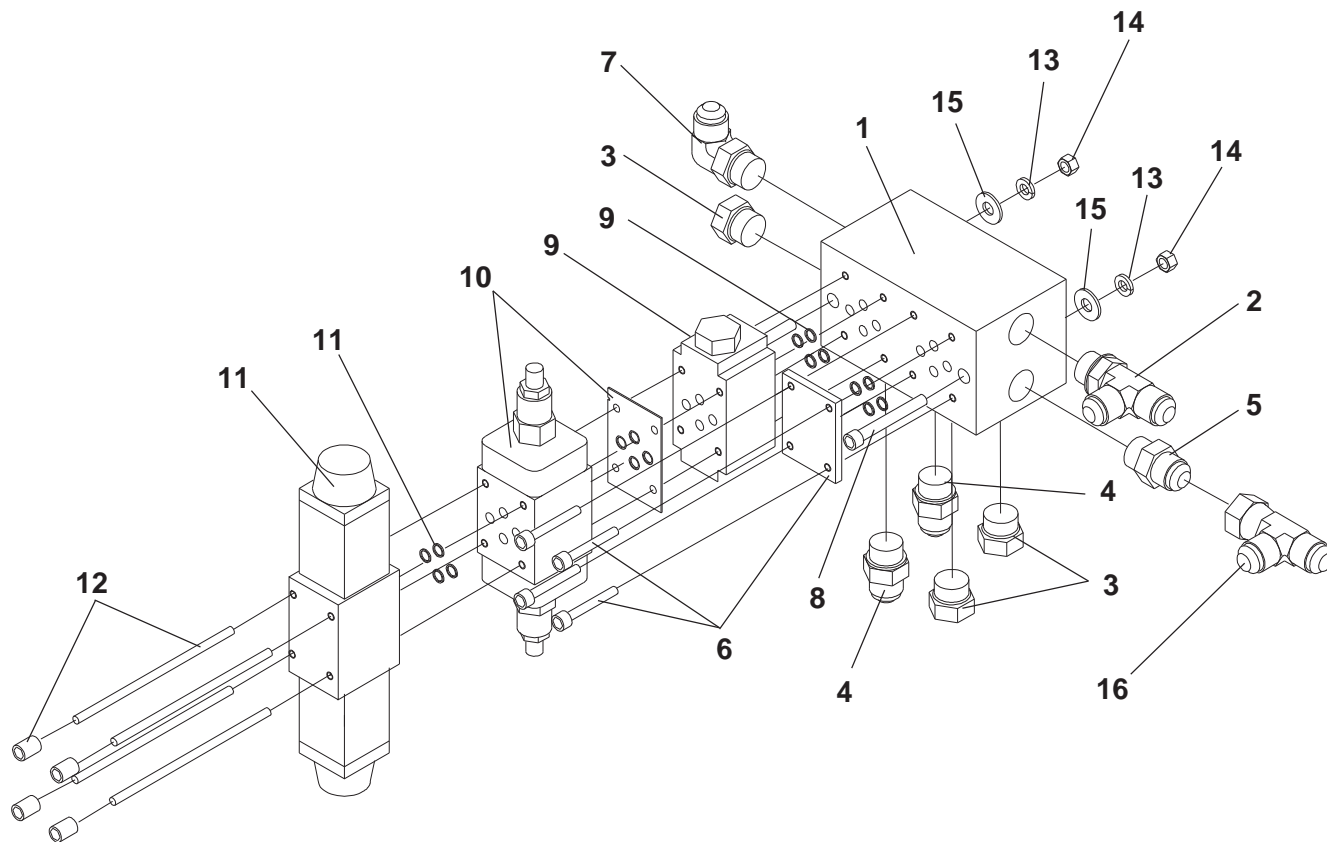


Ref. No.	Part Number	Description	Quantity
	9704-662-82	Valve Assembly - Complete	-
1	45252-501-03	Block, Valve	1
2	7430-303	Tee, 3/4" x 1/2" Branch - with #16 O-Ring	1
3	7430-382	Plug, 3/4" - with #16 O-Ring	1
4	45090-001-46	Valve, Throttle	1
5	7383-022	Capscrew, 5/16" NC x 1"	4
6	45252-014-16	Valve, Holding - with O-Rings	2
7	45252-005-53	Valve, Solenoid - with O-Rings	2
8	7014-002	Lockwasher, 5/16"	4
9	45191-509-10	Capplugs, 3/4" (Not Shown)	3
10	45890-501-23	Stud, #10-24 x 2-7/8"	8
11	45890-100-23	Studnut	8
12	45191-509-09	Capplugs	3
13	45720-775-29	Fitting, 3/4" x 1/4" - with #16 O-Ring	2
14	7430-278	Elbow, 90° 3/4" x 1/2" - with #16 O-Ring	1
15	45191-509-05	Capplugs	2
16	45259-508-14	O-Ring, 3/4" (For hydraulic fittings)	As Req

**Return to Table  
of Contents Page**



**Valve Assembly  
Left Hand Front Bulkhead**

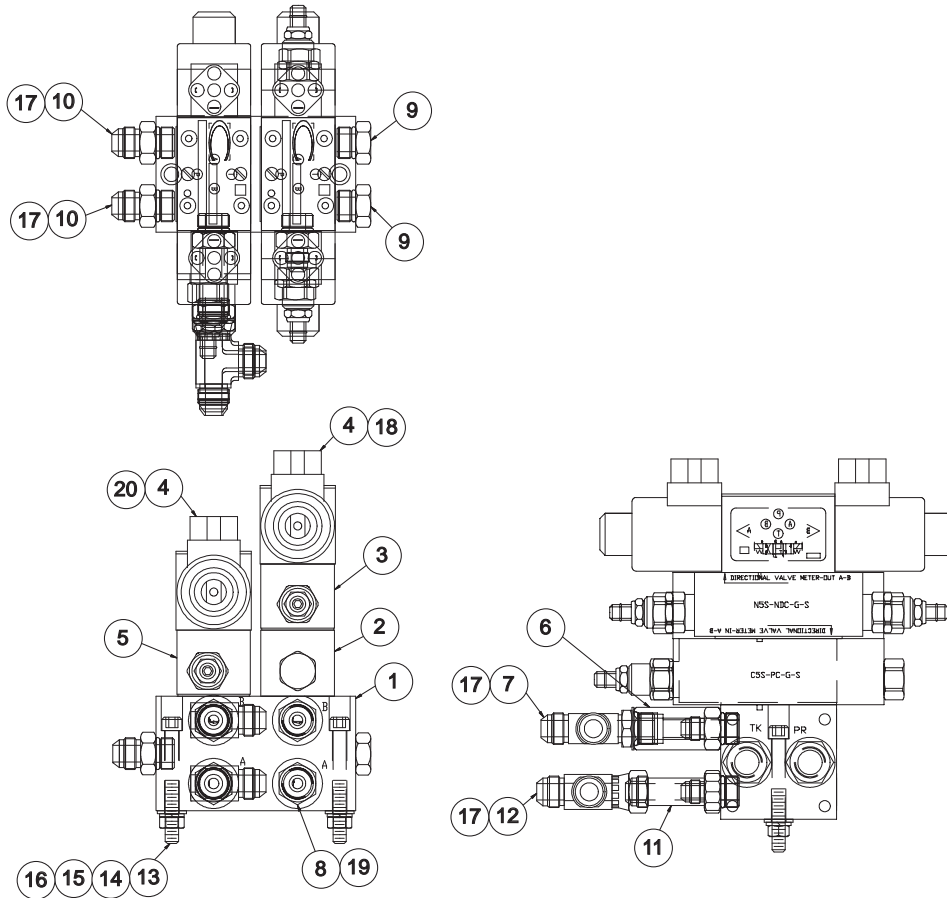


Ref. No.	Part Number	Description	Quantity
	9704-662-80	Valve Assembly - Complete	-
1	45252-501-03	Block, Valve	1
2	7430-292	Tee, 1/2" Run - with #17 O-Ring	1
3	7430-382	Plug, 3/4" - with #18 O-Ring	3
	45259-508-14	O-Ring, 3/4" (For above fitting)	As Req
4	7430-253	Connector, 3/4" x 3/8" - with #18 O-Ring	2
5	7430-255	Connector, 3/4" x 1/2" - with #18 O-Ring	1
6	45252-503-02	Cover Plate (Includes Hardware & O-Rings)	1
7	7430-278	Elbow, 90° 3/4" x 1/2" - with #18 O-Ring	1
8	7025-088	Capscrew, 5/16" x 3" Sockethead	2
9	45252-014-16	Valve, Holding - with O-Rings	1
10	45252-007-38	Valve, Flow Control	1
11	45252-005-53	Valve, Solenoid - with O-Rings	1
12	9704-663-01	Bolt Kit	1
13	7014-002	Lockwasher, 5/16"	2
14	7012-024	Hex Nut, 5/16"	2
15	7014-017	Washer, 5/16"	2
16	7430-345	Tee, 1/2" Swivel Nut	1
17	45259-508-46	O-Ring, 1/2" (For hydraulic fittings)	As Req
18	45259-508-14	O-Ring, 3/4" (For hydraulic fittings)	As Req

**Return to Table of Contents Page**



**Valve Assembly  
Right Hand Front Bulkhead**



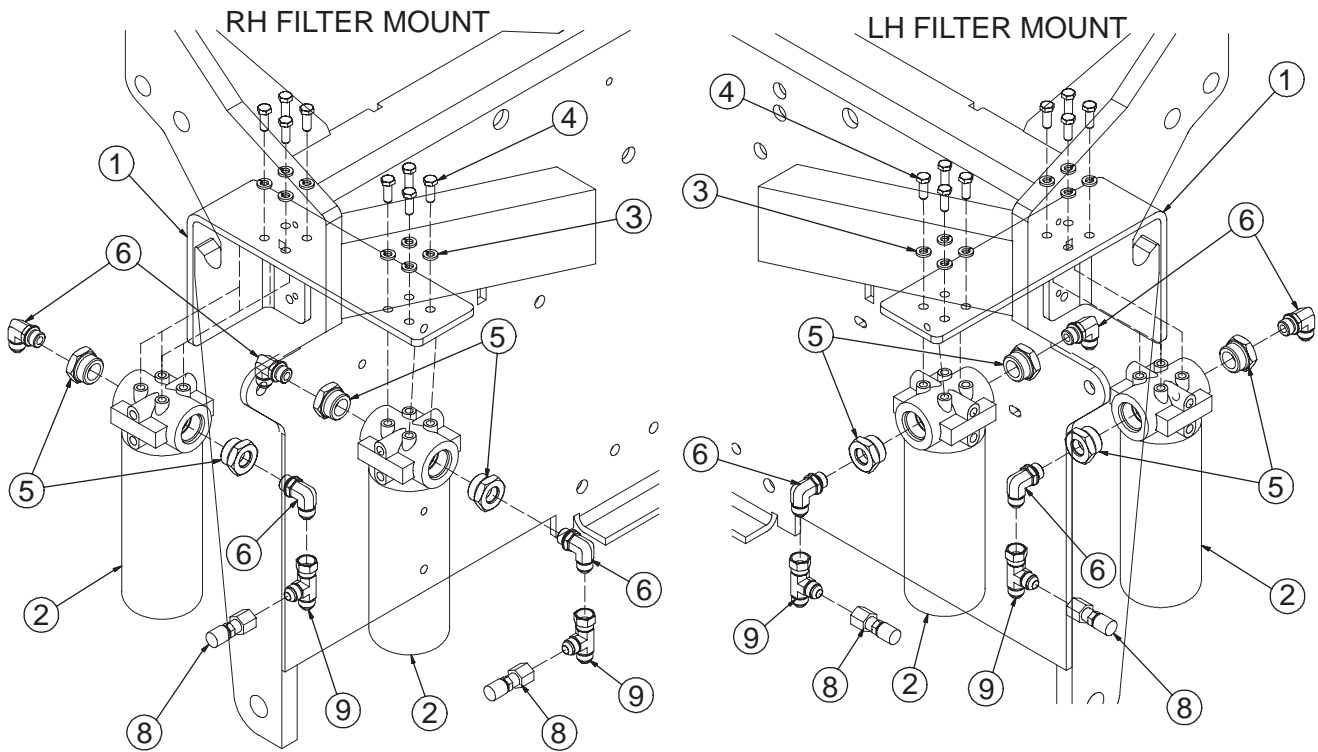
Ref. No.	Part Number	Description	Quantity
	0970466379	Valve Assembly - Complete	-
1	4525250103	Block, Valve	1
2	4525201410	Valve, Holding	1
3	4525200720	Valve, Flow Control	1
4	4525200553	Valve, Solenoid - with O-Rings	2
5	4525200739	Valve, Needle - with O-Rings	1
6	4509000146	Valve, Throttle	1
7	07430292	Tee, 1/2" Run - with #18 O-Ring	1
8	07430253	Connector, 3/4" x 3/8" - with #19 O-Ring	2
9	07430382	Plug, 3/4" - with #19 O-Ring	2
10	07430255	Connector, 3/4" x 1/2" - with #19 O-Ring	2
11	4572077582	Fitting, 1/2"	1
12	07430345	Tee, 1/2" Swivel Nut - Male Branch	1
13	07025088	Capscrew, 5/16" x 3" Sockethead	2
14	07014002	Lockwasher, 5/16"	2
15	07012024	Hex Nut, 5/16"	2
16	07014017	Washer, Flat 5/16"	2
17	4519150910	Caplug, 3/4"	6
18	0970466197	Bolt Kit, 4.13" Studs w/Nuts	1
19	4519150907	Caplug, 1/2"	2
20	0970466198	Bolt Kit, 2.5" Studs w/Nuts	1
-	4525950846	O-Ring, 1/2" (For hydraulic fittings)	As Req
14 -	4525950814	O-Ring, 3/4" (For hydraulic fittings)	As Req



CEDARAPIDS

300L Charge Filters

Parts List No. 05210QXE



Ref #	Part Number	Part Name	Description	Qty
REF	0970865012	SUB-ASSEMBLY	300L CHARGE FILTERS	1
1	0970965006	KIT	300L CHARGE FILTER	1
	0970466373	LH MOUNT	300L CHARGE FILTER	1
	0970466374	RH MOUNT	300L CHARGE FILTER	1
2	4517500141	FILTER	SPIN ON	4
3	07014003	WASHER	3/8" LOCK	16
4	07383038	CAPSCREW	3/8" NC X 1"	16
5	4572077528	REDUCER	1" SAE TO 1/2" SAE	8
6	07430278	ELBOW	#8 SAE X #8 JIC	8
8	4508052716	FITTING	TEST 1/2" JIC	4
9	07430345	TEE	1/2" JIC SWIVEL NUT	4
10	07014003	WASHER	3/8" LOCK (Not Shown)	4
11	07383038	CAPSCREW	3/8" NC X 1" (Not Shown)	4





**Back-Up Alarm Kit**Parts List No 5210WJH

Ref. No.	Part Number	Description	Quantity
1	9704-417-11	Assembly Drawing - Backup Alarm Installation	-
2	46010-001-28	Alarm, Back Up	1
3	7383-004	Capscrew, 1/4" x 3/4"	4
4	7014-001	Lockwasher, 1/4"	4
5	7014-016	Washer, 1/4" Flat	4
6	7012-023	Hex Nut, 1/4"	4
7	56018-108-12	Wire, #14 Stranded Blue	As Req
8	46275-001-02	Wire Lug, 14-16 Eye	3
9	46275-001-05	Wire Lug, 14-16	1
10	46275-001-60	Lug, Male Insulated	1
11	46275-001-61	Lug, Female Insulated	1

NOTE: No illustration is associated with this parts list.  
Consult Product Support department for additional information.



[Return to Table  
of Contents Page](#)



## Table of Contents

### Tractor Electrical Components - 05234JAH

<b>Ref No.</b>	<b>Description</b>	<b>Page No.</b>
<u>1</u>	<u><a href="#">Tractor Electrical Components - Parts Listing</a></u>	<u>2</u>
<u>2</u>	<u><a href="#">Control Console - Illustration</a></u>	<u>3</u>
<u>3</u>	<u><a href="#">Control Console - Parts Listing</a></u>	<u>4-5</u>
<u>4</u>	<u><a href="#">Main Junction Box - Illustration</a></u>	<u>6</u>
<u>5</u>	<u><a href="#">Main Junction Box - Parts Listing</a></u>	<u>7</u>

**Return to Table  
of Contents Page**



**CEDARAPIDS**

**Tractor Electrical Components**

Parts List No. 05234JAH

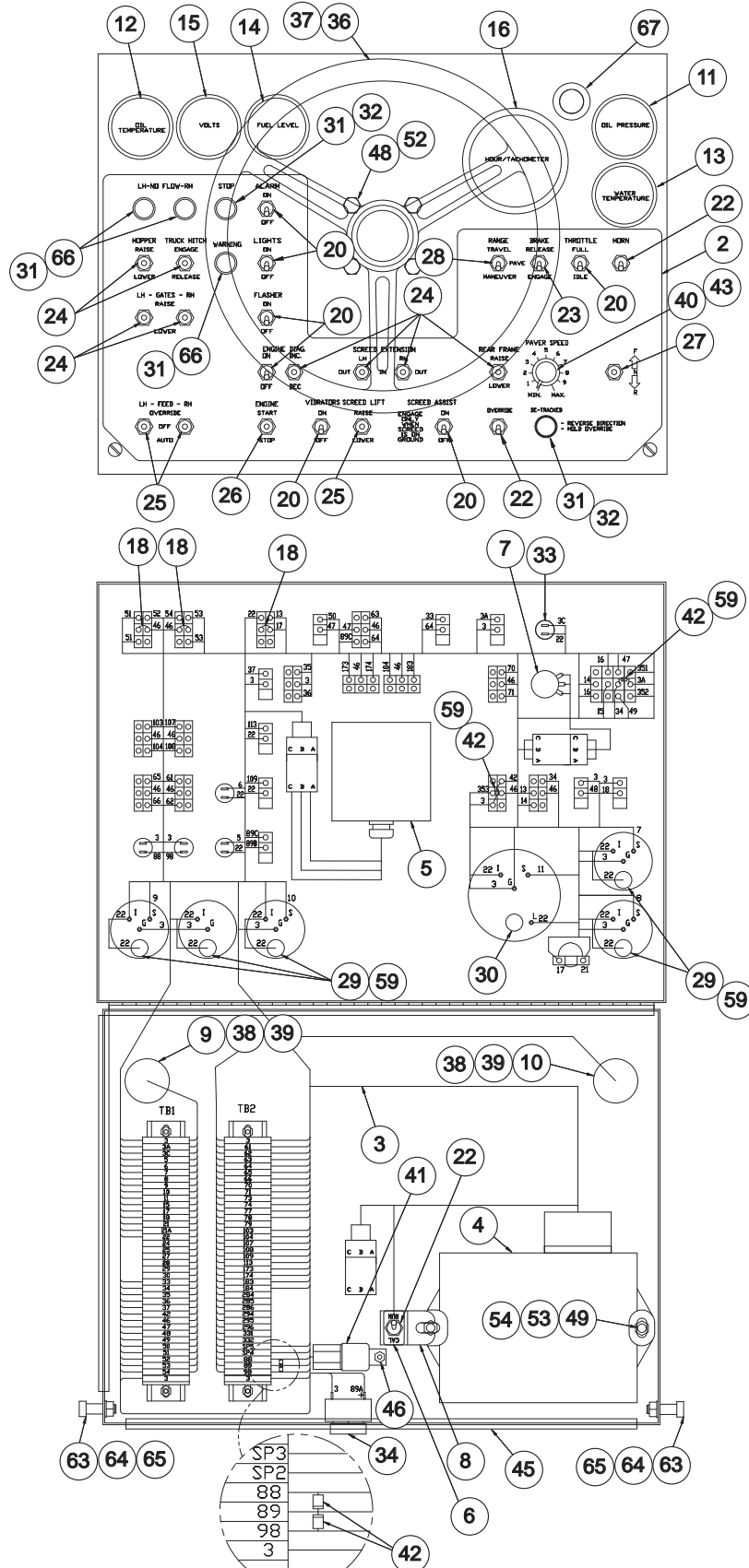
Ref #	Part Number	Description	Qty
1	0970940025	KIT, CR362L Tractor Electrical Components	1
2	0970441784	CONSOLE, CR362L (See Form 24737-24738)	1
3	0970441785	BOX, MAIN (See Form 24739-24740)	1
4	0970437689	HARNESS, Front 300L Series	1
5	0970437690	HARNESS, Rear 300L Series	1
6	0970441133	CABLE, MAIN BOX TO SCREED	1
7	4619500102	LOCKNUT, 3/4"	2
8	0970940012	KIT, Electrical Receptacle Plate	1
9	0970441622	PLATE, RH	1
10	0970441623	PLATE, LH	1
11	4631300227	COVER, CAP & CHAIN	2
12	4631300250	COVER, #14 CAP & CHAIN	1
13	07383023	CAPSCREW, 5/16"NC X 1-1/4	8
14	07014002	WASHER, 5/16" LOCK	12
15	07012024	HEX NUT, 5/16" NC	8
16	07504052	MACH SCREW, #8-32 X 1/2"	4
17	07438022	WASHER, #8 SHKP LK SINT	4
18	07440008	HEX NUT, #8 NC	4
19	07504007	MACH SCREW, #4-40 1/2"	12
20	07438019	WASHER, #4 SHKP LK	12
21	07440005	HEX NUT, #4 NC	12
22	4508052935	CLAMP HALF, 1"	12
23	4508052927	PLATE, COVER FOR CLAMP	6
24	07014002	WASHER, 5/16" LOCK	6
25	07383025	CAPSCREW, 5/16"NC X 1-3/4	6
26	07509006	CLAMP, 3/4"	8
27	07509008	HOSE CLAMP, 15/16"	3
28	07383039	CAPSCREW, 3/8"NC X 1-1/4	11
29	07014003	WASHER, 3/8" LOCK	11
30	07012025	HEX NUT, 3/8" NC	11
31	4508052929	CLAMP, 1-1/4" HALF	2
32	4508052930	COVER, 1-1/4" CLAMP	1
33	07014002	WASHER, 5/16" LOCK	1
34	07383028	CAPSCREW, 5/16"NC X 2-1/2	1
35	0970401232	SWITCH, TILT	2
36	07198008	YOKE PIN, 1/2" DIA	2
37	07011017	COTTER PIN, 1/8" X 1"	2
38	04495031	DIAGRAM, CR362L Electrical	2

**NOTE: No Illustration Available**

Return to Table of Contents Page



Control Console  
09704-417-84



**Return to Table  
of Contents Page**



**CEDARAPIDS**

**Control Console**

09704-417-84

Ref #	Part Number	Description	Qty
1	0970450597	Console, Track	1
2	0449410544	Emblem, Track	1
3	0970437692	Harness, Track Console	1
4	4606152531	Controller, Track Steering	1
5	4606152521	Sensor, Steer	1
6	04418857	Emblem, Cal/Run	1
7	0970441650	Sensor, Steer	1
8	0970441648	Bracket, Switch Mount	1
9	970441134	Cable, LH	1
10	970441135	Cable, RH	1
11	4586500241	Gauge, Oil Pressure	1
12	4586500316	Gauge, Oil Temp.	1
13	4586500317	Gauge, Water Temp.	1
14	4591501208	Gauge, Fuel Level	1
15	4622500124	Meter, Voltmeter - 12VDC	1
16	4622501017	Meter, Tach/Hour	1
18	4626050103	Jumper, Switch Block	5
20	4620000906	Switch, Toggle	7
22	4620000911	Switch, Toggle	3
23	4620000918	Switch, Toggle	1
24	4620000921	Switch, Toggle	8
25	4620000940	Switch, Toggle	3
26	4620000941	Switch, Toggle	1
27	4620000962	Switch, Toggle	1
28	4620000963	Switch, Toggle	1
29	4627000509	Light Kit, Meter	5
30	4627000510	Light Kit, 12VDC	1
31	4627000244	Lamp, 14VDC	8
32	4627050036	Lens, Red	2
33	4606150062	Socket	5
34	4601000129	Alarm, Signal	1
35	4601060009	Emblem, Steering Wheel	1
36	0970450298	Wheel, Steering	1
37	4525951707	Nut, 7/8"	1
38	4602601514	Connector, 1-1/4" 90 Degree	2
39	4619500104	Locknut	2

CONTINUED

**Return to Table  
of Contents Page**



**CEDARAPIDS**

**Control Console**

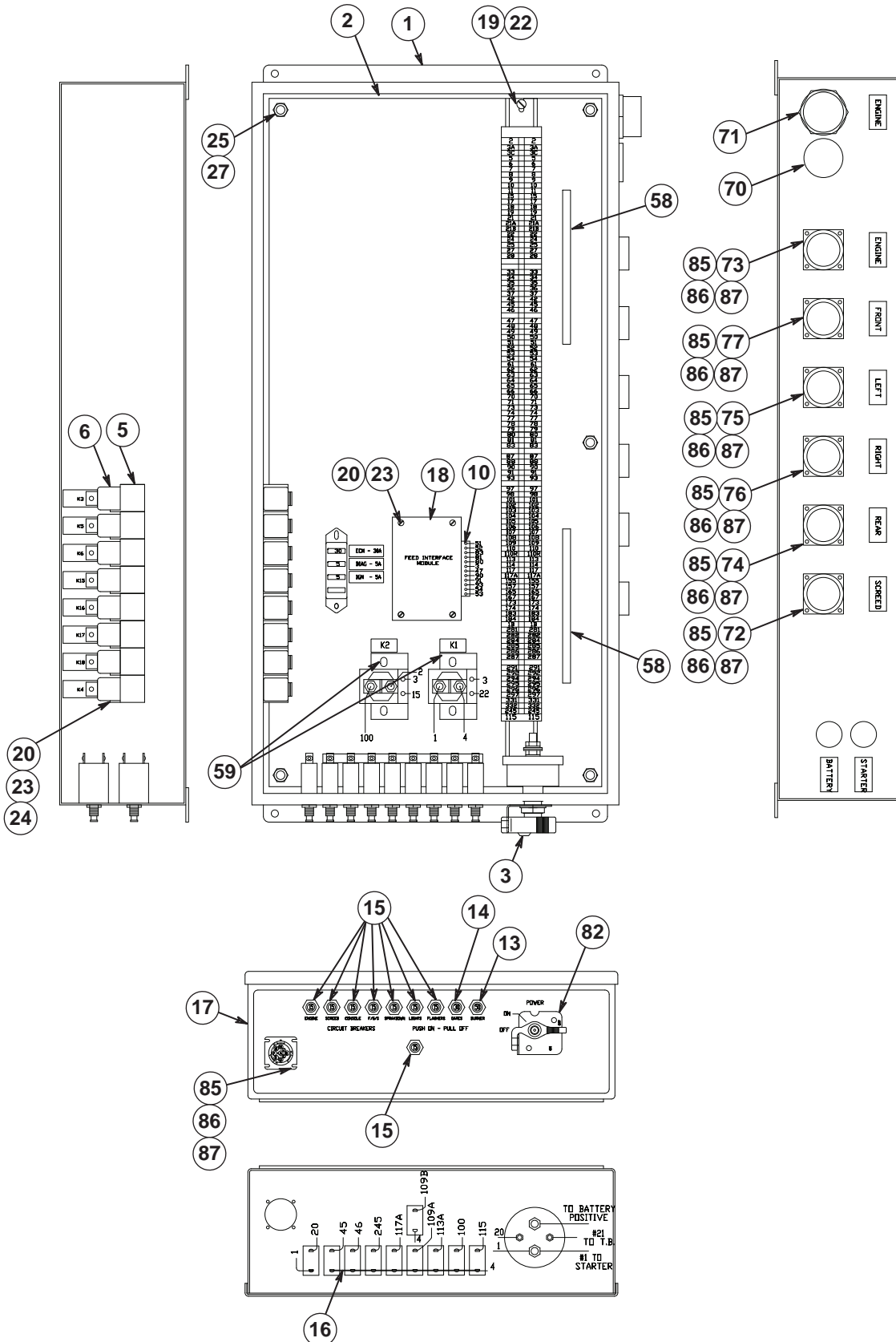
09704-417-84

40	4607550005	Knob, Control	1
41	4632500243	Relay, Automotive	1
42	4695500143	Diode, 600V - 6A	4
43	4589010006	Seal Nut	1
44	4589010029	Nut, 1/4" Self Retaining	2
45	4589080031	Edging	4.7'
46	07504066	Machine Screw, #10-32 x 1/2"	1
47	07504052	Machine Screw, #8-32 x 1/2"	4
48	07383034	Capscrew, 3/8" NC x 1/2"	4
49	07383022	Capscrew, 5/16" NC x 1"	2
50	07437135	Machine Screw, 1/4" NC x 3/4"	2
51	07014017	Washer, 5/16"	2
52	07014003	Washer, 3/8" Lock	4
53	07014002	Washer, 5/16" Lock	2
54	07012024	Hex Nut, 5/16" NC	2
55	07438023	Washer, #10 SHKP Lock	4
56	07438022	Washer, #8 SHKP Lock	4
57	07440023	Hex Nut, #10 NF	1
58	07440008	Hex Nut, #8 NC	4
59	4627500102	Wire Lug	9
63	07455012	Shoulder Screw, 3/8" x 5/8"	2
64	07012024	Hex Nut,, 5/16" NC	2
65	07014002	Washer, 5/16" Lock	2
66	4627050037	Lens, Amber	3
67	4608540146	E-Stop	1

Return to Table of Contents Page



Main Junction Box  
09704-417-85





**Return to Table  
of Contents Page**



**CEDARAPIDS**

**Main Junction Box**

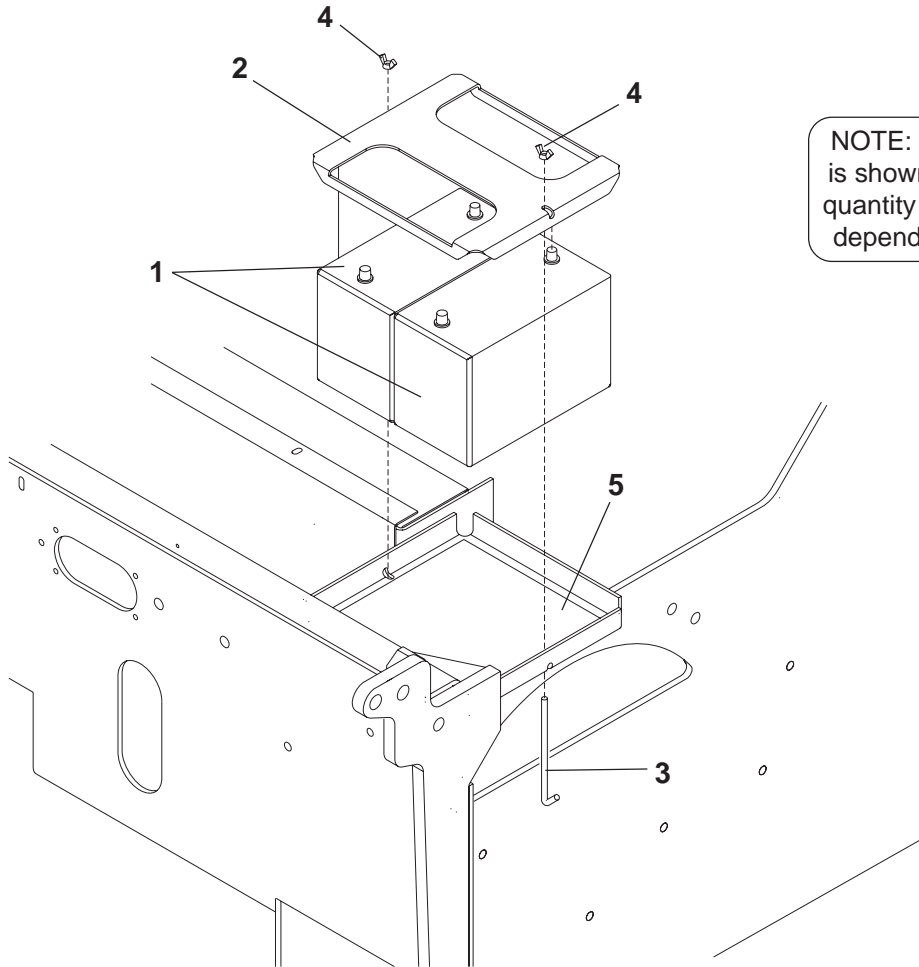
09704-417-85

Ref #	Part Number	Description	Qty
1	0970441753	Box, Main	1
2	0970441751	Plate, Mounting	1
3	4620001161	Switch, Key	1
5	4601500149	Socket, Relay	8
6	4632500243	Relay, Power	8
10	4695601302	Plug, 12 Position	1
13	4616500501	Breaker, 50A	1
14	4616500484	Breaker, 30A	1
15	4616500483	Breaker, 15A	8
16	4616550803	Bus Bar	1
17	04418888	Emblem, Main Box	1
18	4606550039	Feed Interface Module	1
19	07504064	Screw, #10-32 x 3/8"	3
20	07504055	Screw, #8-32 x 3/4"	8
21	07504050	Screw, #8-32 x 3/8"	9
22	07438023	Washer, #10 SHKP Lock	7
23	07438022	Washer, #8 SHKP Lock	13
24	07440008	Hex Nut, #8 NC	9
25	07014003	Washer, 3/8" Lock	6
26	07439018	Washer, 5/16" Flat ( <i>Not Shown</i> )	2
27	07012003	Hex Nut, 3/8" NC	6
58	4626000207	Ground Bar	2
59	4601500163	Contactoer	2
60	07435130	Screw, 1/4" - 20 x 3/8"	4
61	07438025	Washer, 1/4" SHKP Lock	4
70	4608500401	Cover	1
71	0970437675	Harness, QSB Engine	1
72	0970437664	Receptacle, Screed	1
73	0970437693	Receptacle, Engine Harness	1
74	0970437683	Receptacle, Rear Harness	1
75	0970437659	Receptacle, Console 1	1
76	0970437660	Receptacle, Console 2	1
77	0970437662	Receptacle, Front Harness	1
82	4620001162	Switch, Disconnect Lock	1
85	07504007	Screw, #4-40 x 1/2"	28
86	07438019	Washer, #4 SHKP Lock	28
87	07440005	Hex Nut, #4 NC	28



**Battery Mounting & Cables**

Parts List No. 5210JAJ



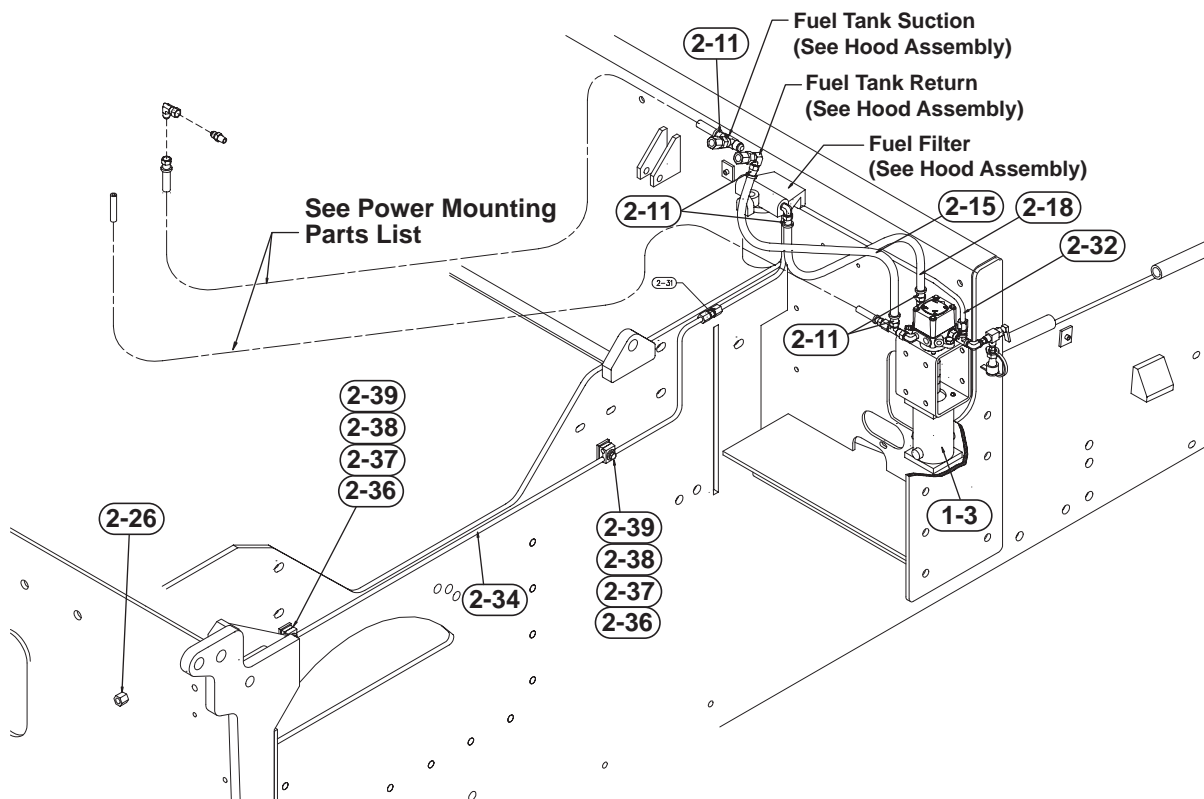
NOTE: Typical illustration is shown. Appearance and quantity of some items vary depending on application.

Ref. No.	Part Number	Description	Quantity
1	45040-250-08	Battery, 12V	2
2	09704-318-61	Clamp, Battery Hold Down	1
3	04445-406-10-02	Bolt, Hook	2
4	07056-011	Wing Nut, 3/8" NC	2
5	09704-320-48	Pad, Battery Mounting	1
-	<u>09709-400-15</u>	<u>Kit, Battery Cable - Following items not shown on illustration</u>	<u>1</u>
6	09704-411-23	Cable, Battery Ground	1
7	09704-411-27	Cable, Battery Positive	1
8	09704-411-25	Cable, Starter Positive	1
9	09704-411-26	Cable, Hood Raise Power	1
10	09704-411-22	Jumper Cable	1



**Fuel System**

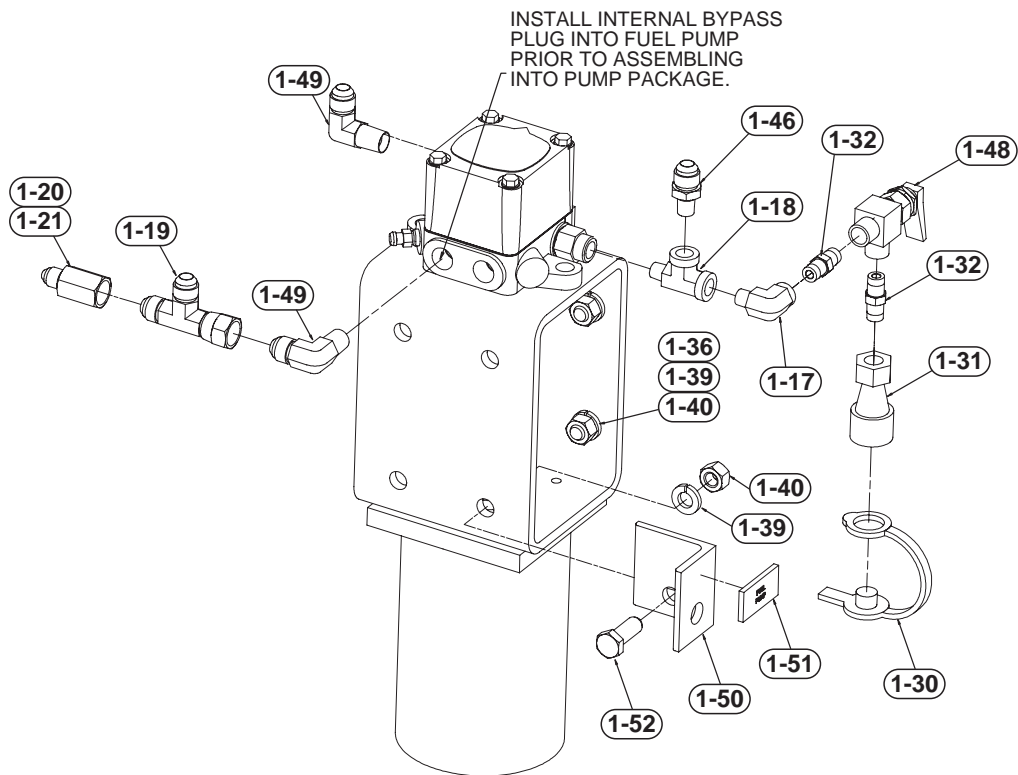
Parts List No. 05234PGJ



Ref #	Part Number	REV	Part Name	Description	Qty
-	0970432035	A	ASSEMBLY DRAWING	FUEL SYSTEM	REF
1-3	0970830038		SUB-ASSEMBLY	FUEL PUMP (See Form 24565)	1
2-11	07431008		HOSE END	3/8"HOSE SWIVEL	5
2-15	5003000202	D	HOSE	3/8" ID	2.7'
2-18	5003000202	D	HOSE	3/8" ID	2.1'
2-24	451915041401	A	COUPLER	1/4"QD	1
2-26	07430335		CONNECTOR	UNION	1
2-28	4572077021	-	NIPPLE	1/4" X 1/4"	1
2-29	451915042901	-	PLUG	DUST	1
2-31	07430377		UNION	3/8" MALE	1
2-32	0970466145	A	TUBE ASSEMBLY	FUEL PUMP	1
2-34	0970465871	D	TUBE ASSEMBLY	PUMP TO BULKHEAD	1
2-36	4508052922	-	CLAMP HALF	FOR 3/8" TUBE	4
2-37	07383023		CAPSCREW	5/16"NC X 1-1/4	2
2-38	07014017		WASHER	5/16"	2
2-39	07014002		WASHER	5/16" LOCK	2

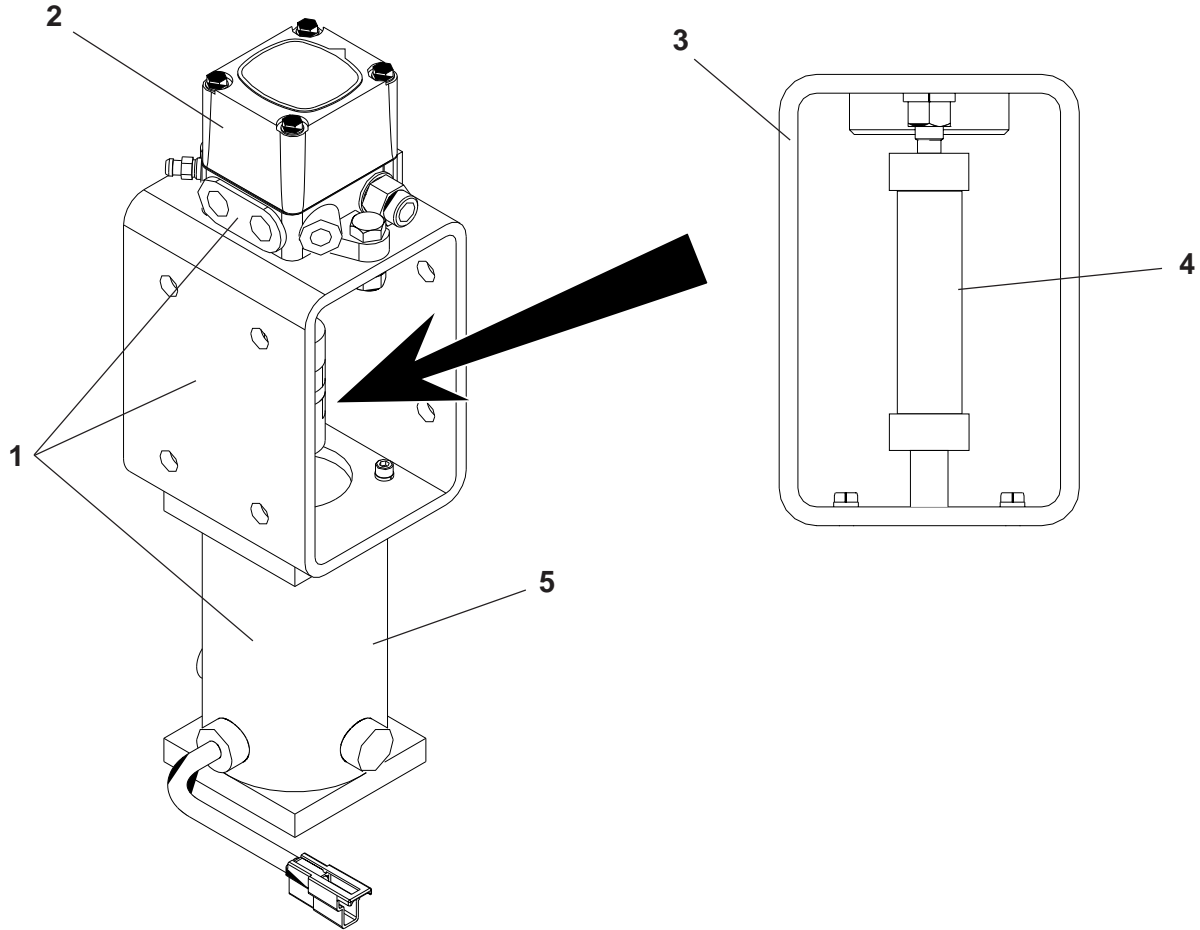


**Fuel Pump Sub-Assembly**  
Parts List No. 0970830038



Ref #	Part Number	REV	Part Name	Description	Qty
1-17	4572077001	-	ELBOW	FITTING	1
1-18	4572077614	-	TEE	1/8" MALE BRANCH	1
1-19	07430344		TEE	3/8"JIC SWIVEL NUT	1
1-20	07430323		REDUCER	3/8" TO 1/4"	1
1-21	07430206		NUT	3/8"JIC	1
1-30	451915042901	-	PLUG	DUST	1
1-31	451915042903	-	COUPLER	1/8"NPT BRASS	1
1-32	4572077054	-	NIPPLE	1/8" PARKER	2
1-35	4565252811	E	FUEL PUMP	(See Form 21900)	1
1-38	07383039		CAPSCREW	3/8"NC X 1-1/4	4
1-39	07014003		WASHER	3/8" LOCK	5
1-40	07012025		HEXNUT	3/8" NC	5
1-46	07430043		CONNECTOR	3/8"JIC X 1/8"MP	1
1-48	4525200464	A	VALVE	TOGGLE OPERATED SHUTOFF	1
1-49	07430019		ELBOW	1/4"PIPE X #6 JIC	2
1-50	0970441643	A	BRACKET	SWITCH	1
1-51	07515047		NAMEPLATE	FUEL PUMP	1
1-52	07383038		CAPSCREW	3/8" NC X 1"	1

**Fuel Pump Assembly**



Ref. No.	Part Number	Description	Quantity
1	45652-528-11	Pump, Fuel - Complete	1
2	45652-528-11-01	Pump, Fuel	1
3	9704-555-80	Mount, Fuel Pump	1
4	45652-528-11-03	Coupling, 7/16" x 1/2"	1
5	9704-316-07	Motor, Fuel Pump w/Seal	1
	46098-400-14	Motor, Electric	1
	9704-316-08	Washer, Motor Seal	1
	45210-001-14	V-Seal - V-12S	1



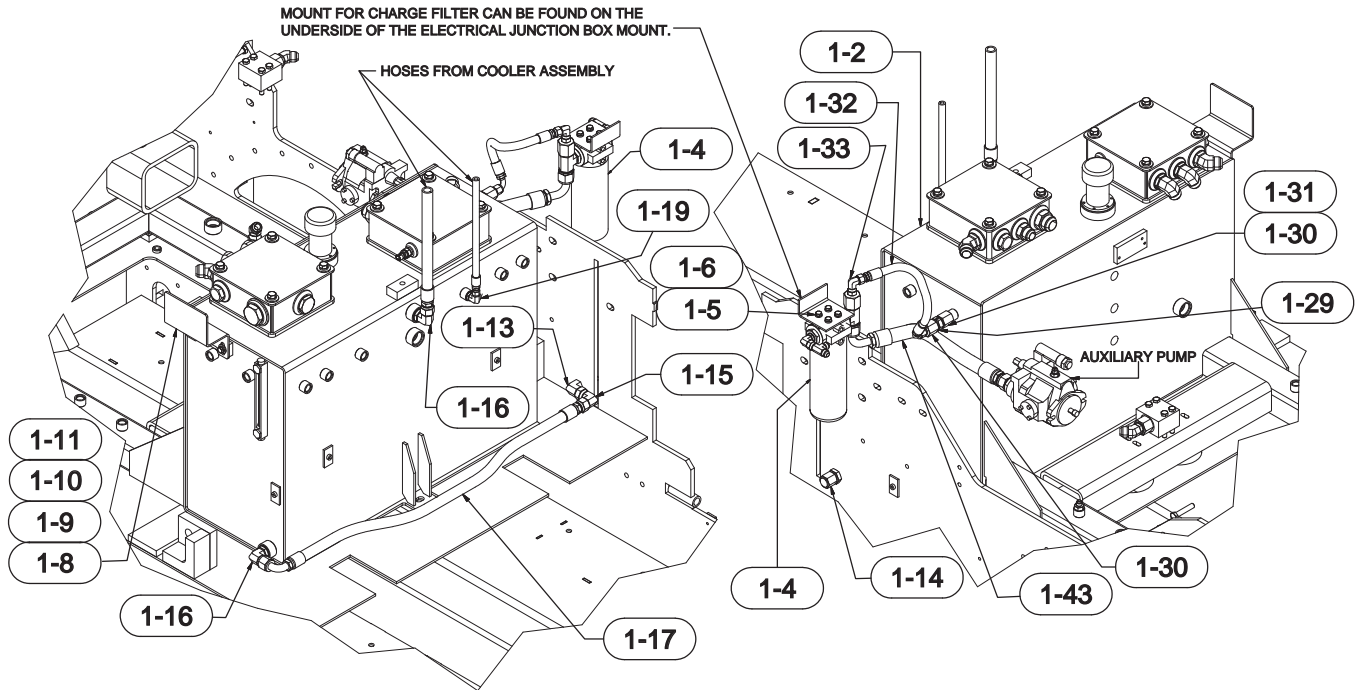




**CEDARAPIDS**

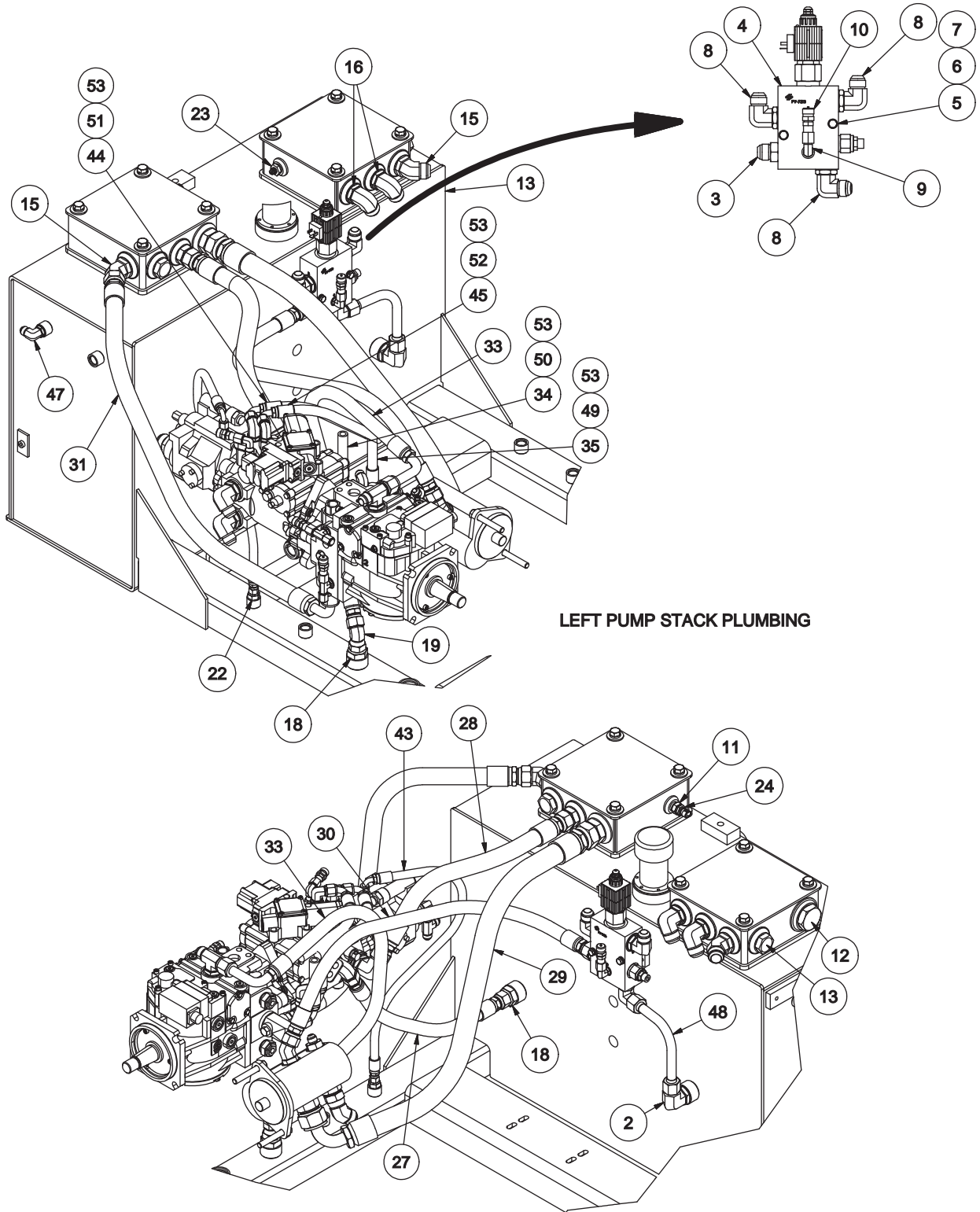
**Hydraulic Reservoir Package**

Parts List No. 05234QCB

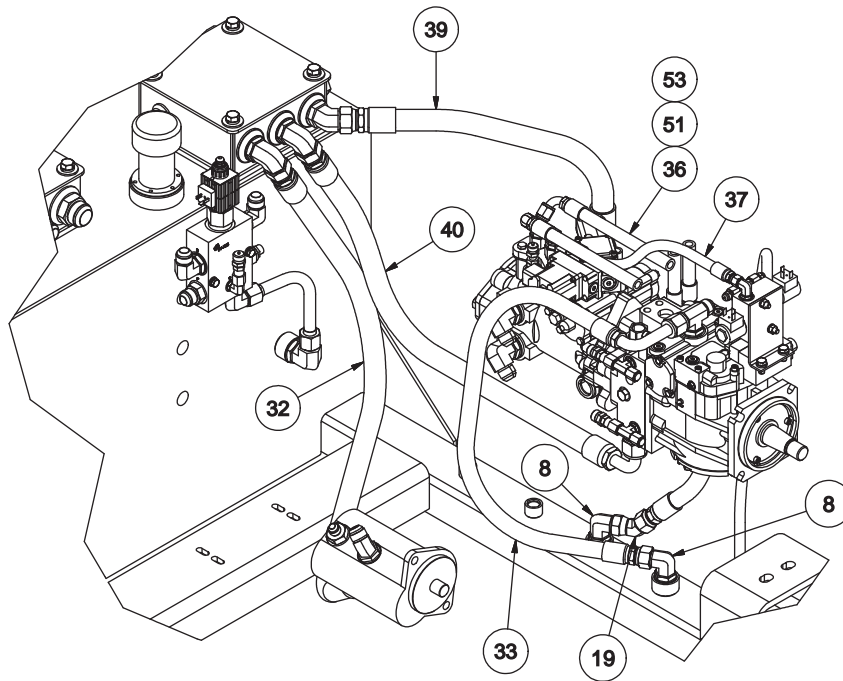


Ref #	Part Number	REV	Part Name	Description	Qty
-	0970466381		ASSEMBLY DRAWING	HYD RESERVOIR	REF
102	0970865022	A	SUB-ASSEMBLY	HYD RESERVOIR (See Form 24732-24733)	1
104	0970830046	A	SUB-ASSEMBLY	CHARGE FILTER (See Form 24720)	1
105	07383038		CAPSCREW	3/8" NC X 1"	4
106	07014003		WASHER	3/8" LOCK	4
108	0970466390		SUPPORT	HOSE GUIDE	1
109	07014018		WASHER	3/8"	2
110	07014003		WASHER	3/8" LOCK	2
111	07383036		CAPSCREW	3/8" NC X 3/4"	2
113	07430415		ELBOW	3/4" JIC BULKHD	1
114	07430231		CAP	3/4" JIC	1
115	07430387		ELBOW	3/4" SWIVEL NUT	1
116	07430282		ELBOW	#12SAEM-#12JICM 90D	2
117	0765304435		HOSE ASSY		1
119	07430276		ELBOW	#8MSAE X #6MJIC 90	1
129	4525201025	A	VALVE	HI PRESS IN-LINE	1
130	07430330		REDUCER	3/4" TO 1/2"	2
131	4525950814	A	O RING	SAE #8	1
132	0765201335	A	HOSE ASSY		1
133	07430405		ELBOW	1/2" SWIVEL	1
143	0763401835		HOSE ASSY	1" ID X 18"	1

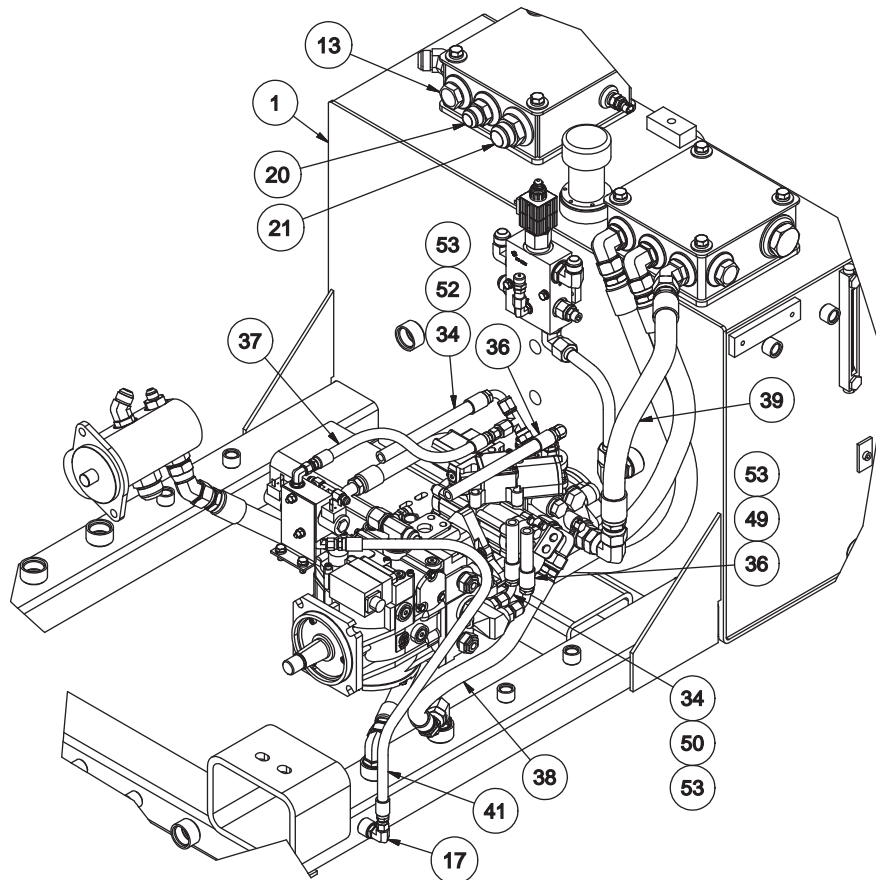
**Hydraulic Reservoir Sub-Assembly**



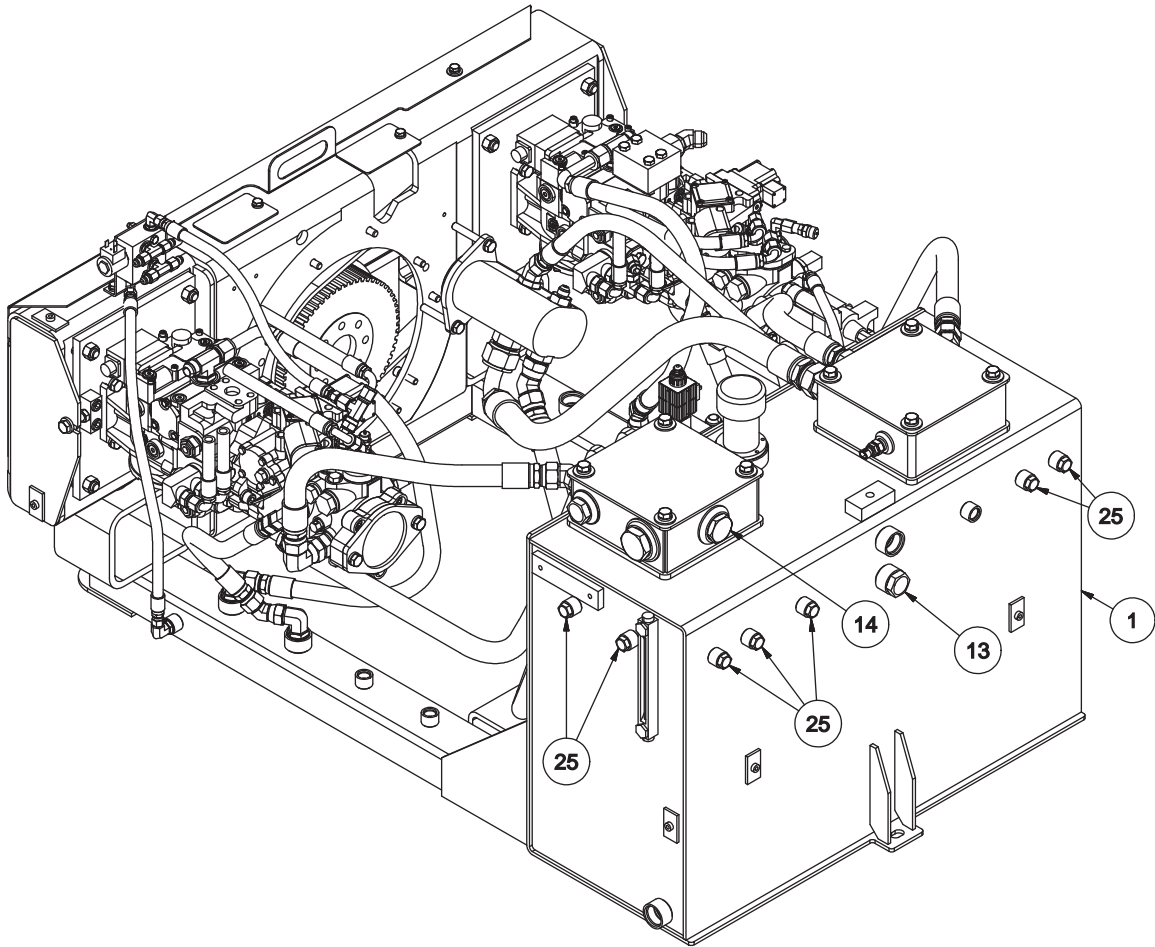
### Hydraulic Reservoir Sub-Assembly



#### RIGHT PUMP STACK PLUMBING



**Hydraulic Reservoir Sub-Assembly**





## Hydraulic Reservoir Sub-Assembly

Part No. 0970865022

Ref #	Part Number	REV	Part Name	Description	Qty
1	09704-663-77		RESERVOIR	HYDRAULIC (See Form 24626)	1
2	07430-378		ELBOW	1-5/16" SAE X 3/4" JIC	1
3	07430-263		CONNECTOR	1-1/16 SAE X 3/4" JIC	1
4	45252-007-48		FAN VALVE	PROPORTIONAL FLOW	1
5	07014-017		WASHER	5/16"	2
6	07014-002		WASHER	5/16" LOCK	2
7	07383-028		CAPSCREW	5/16" NC X 2-1/2"	2
8	07430-282		ELBOW	#12 SAE X #12 JIC	5
9	07430-417		ELBOW	7/16" SAE 3/8" JIC	1
10	45080-527-18		FITTING	TEST 3/8" MALE JIC	1
11	45251-007-09		ADAPTER	1/2" MNPT X 14MM	1
12	07430-464		PLUG	#24	1
13	07430434		PLUG	#16 SAEM	3
14	07430-458		PLUG	#20 SAE HEX HEAD	1
15	07430-320		ELBOW	1-5/16" SAE 1" JIC	2
16	07430-285		ELBOW	#16SAE #16JIC	2
17	07430-276		ELBOW	#8 SAE X #6 JIC	1
18	07430-264		CONNECTOR	1-5/16" SAE 3/4" JIC	2
19	07430-427		FITTING	3/4" JIC SWIVEL	2
20	07430-267		CONNECTOR	#16SAE #16JIC	1
21	07430-270		CONNECTOR	#20SAE X #20JIC	1
22	07430-253		CONNECTOR	3/4" SAE 3/8" JIC	1
23	45865-003-18		SENDER	TEMPERATURE	1
24	45865-003-22		SENSOR	TEMP W/O-RING	1
25	07430-382		PLUG	#8 SAE	7
26	09709-650-08		KIT - RESERVOIR HOSE	(Not Shown)	1
27	07653-018-33		HOSE ASSY		1
28	07634-020-33		HOSE ASSY - CONVEYOR SUCTION		1
29	07635-050-35		HOSE ASSY - 50"		1
30	07663-033-33		HOSE ASSY - 3/4" X 33" LONG		1
31	07634-043-35		HOSE ASSY - 1" ID X 43"		1
32	07634-049-33		HOSE ASSY - 1" ID X 49"		1
33	07653-030-38		HOSE ASSY - 3/4" ID X 30"		2
34	07652-052-35		HOSE ASSY - 1/2" ID X 52"		3
35	07652-059-35		HOSE ASSY		1
36	07652-047-35		HOSE ASSY - 1/2" ID X 47"		2
37	07651-022-33		HOSE ASSY - 3/8" ID X 22"		1
38	07653-020-33		HOSE ASSY - CONVEYOR CASE		1
39	07634-026-33		HOSE ASSY - 1" ID X 26"		1
40	07634-037-35		HOSE ASSY - 1" ID X 37"		1
41	07651-030-33		HOSE ASSY - 3/8" ID X 30"		1
43	07651-030-35		HOSE ASSY - 3/8" ID X 30"		1
44	07652-062-35		HOSE ASSY - 1/2" ID X 62"		1
45	07652-064-35		HOSE ASSY - 1/2" ID X 64"		1
47	07430-278		ELBOW	#8SAE #8JIC	1
48	09704-663-93		TUBE ASSY	PROPORTIONAL VALVE	1
49	07470-154		NAMEPLATE	TRAC CHG TO FILTER	2
50	07470-155		NAMEPLATE	TRAC CHG FROM FILTER	2
51	07470156		NAMEPLATE	CONV CHG TO FILTER	2
52	07470-157		NAMEPLATE	CONV CHG FROM FILTER	2
53	46320-001-20		CABLE TIE	3/8" - 1 3/4"	8

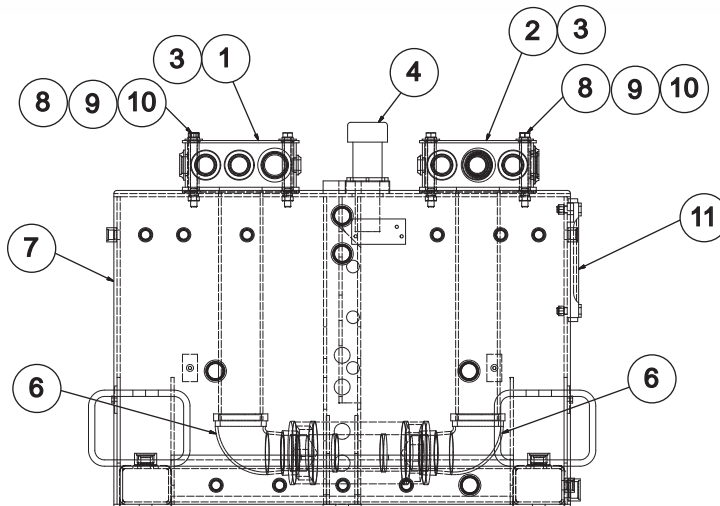
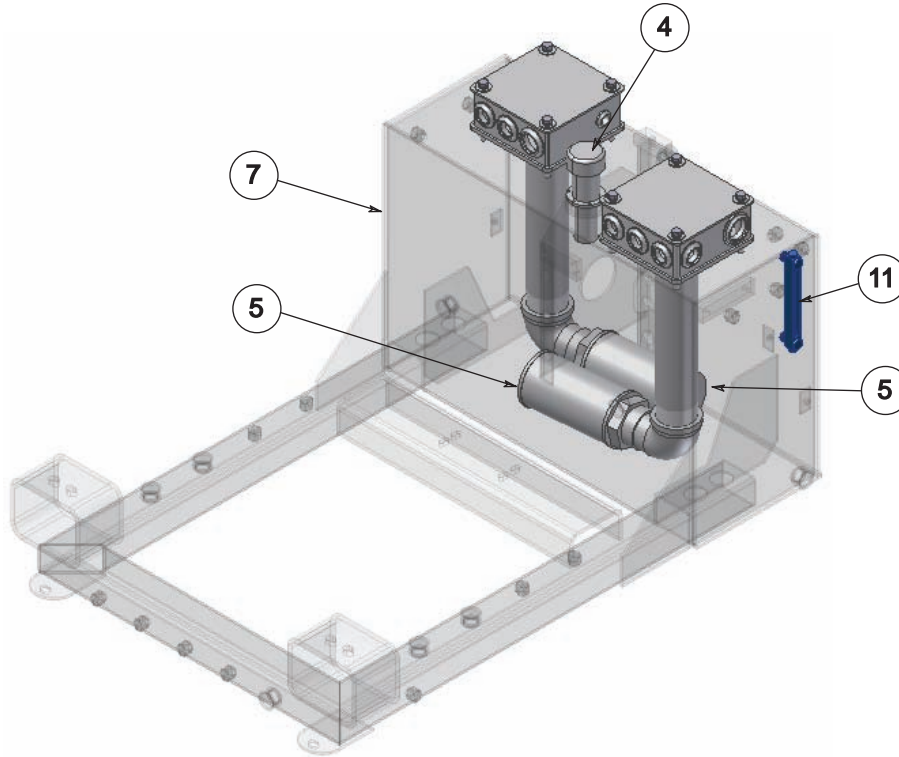




**CEDARAPIDS**

**Hydraulic Reservoir Assembly**

Part No. 0970466377



Ref. No.	Part Number	Description	Quantity
1	09704-663-13	LH Suction Manifold	1
2	09704-663-14	RH Suction Manifold	1
3	09704-662-48	Suction Manifold Gasket	2
4	45080-519-48	Vented Filler/Breather Assembly	1
5	45080-510-69	Suction Strainer	2
6	07061-011	Elbow, 3" NPT x 90 Degree Street	2
7	09704-663-76	Reservoir, Hydraulic	1
8	07383-260	Capscrew, 1/2" NC x 5-1/2"	8
9	07014-020	Flat washer, 1/2"	8
10	07014-005	Lock washer, 1/2"	8
11	45865-001-30	Oil Level Gauge	1

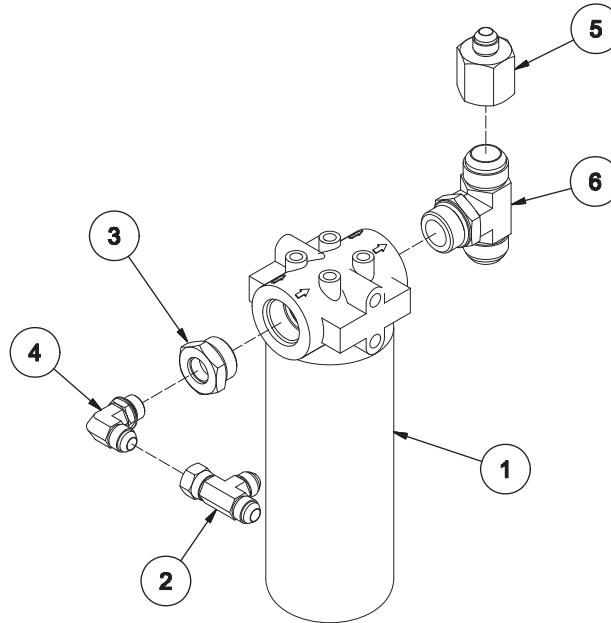
38



**CEDARAPIDS**

**Hydraulic Charge Filter Sub-Assembly**

Part No. 0970830046



Ref #	Part Number	REV	Part Name	Description	Qty
1	4517500141	A	FILTER	SPIN ON	1
2	07430345		TEE	1/2"JIC SWIVEL NUT	1
3	4572077528	-	REDUCER	1"SAE TO 1/2"SAE	1
4	07430278		ELBOW	#8SAEM X #8JICM 90D	1
5	07430409		REDUCER	1"JIC TO 1/2"JIC	1
6	07430307		TEE	1"	1





**Return to Table  
of Contents Page**



**Table of Contents**

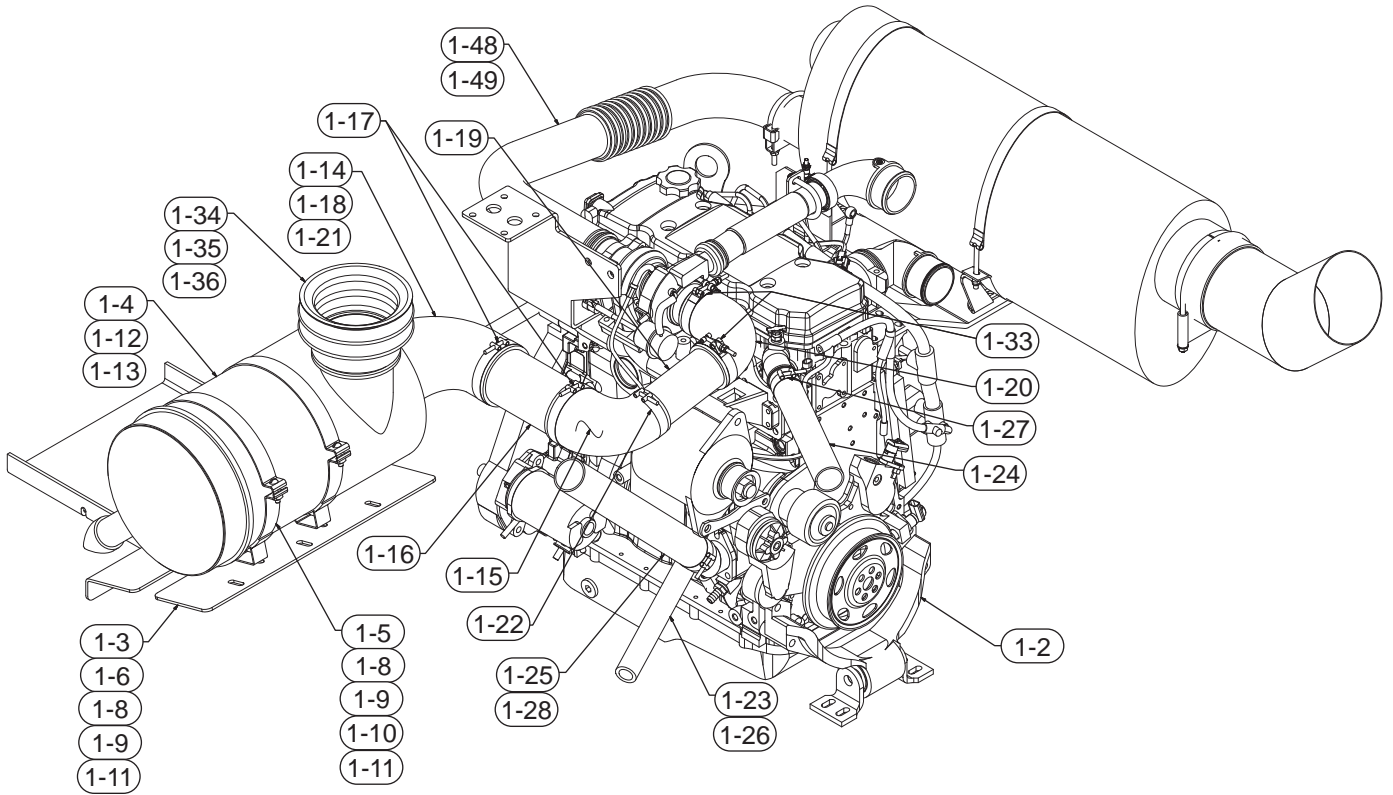
**Power Mounting - 05234GAC**

<b>Ref No.</b>	<b>Description</b>	<b>Page No.</b>
<u>1</u>	<u>Power Mounting Illustration - Part 1</u>	<u>2</u>
<u>2</u>	<u>Power Mounting Illustration - Part 2</u>	<u>3</u>
<u>3</u>	<u>Power Mounting Parts List</u>	<u>4</u>
<u>4</u>	<u>Engine Sub-Assembly Illustration</u>	<u>5</u>
<u>5</u>	<u>Engine Sub-Assembly Parts List</u>	<u>6</u>

Return to Table  
of Contents Page



### Power Mounting Assembly

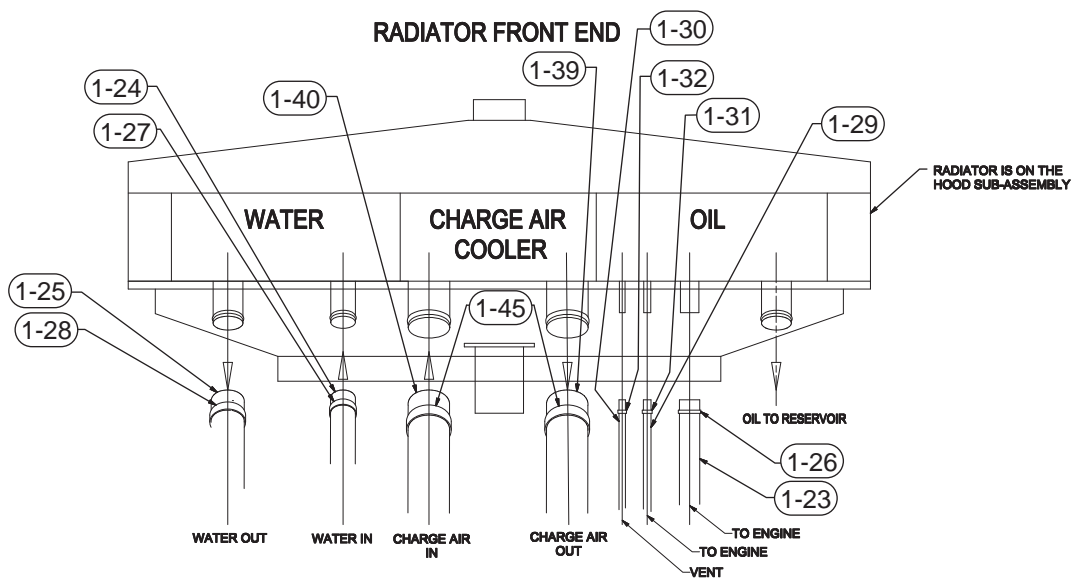
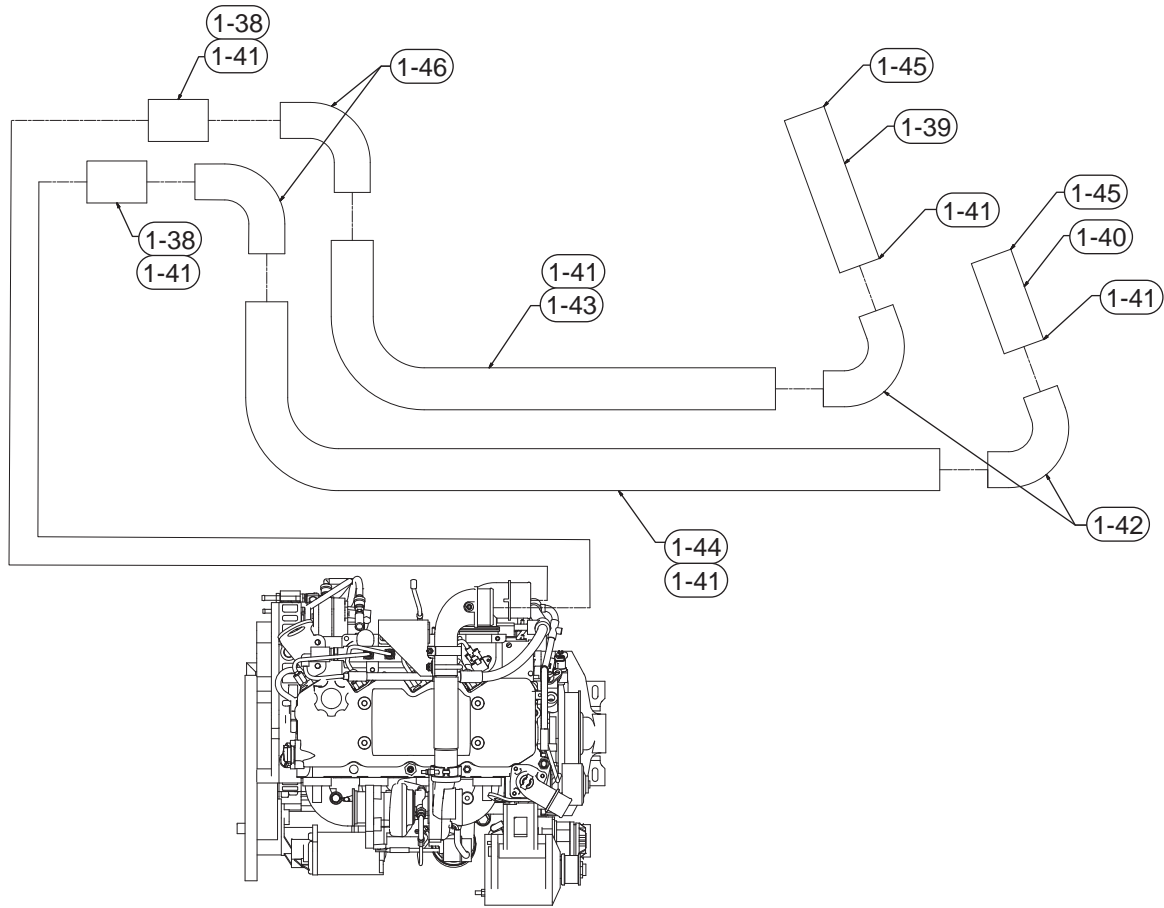


**Return to Table  
of Contents Page**



**CEDARAPIDS**

**Power Mounting Assembly**



**Return to Table  
of Contents Page**



**CEDARAPIDS**

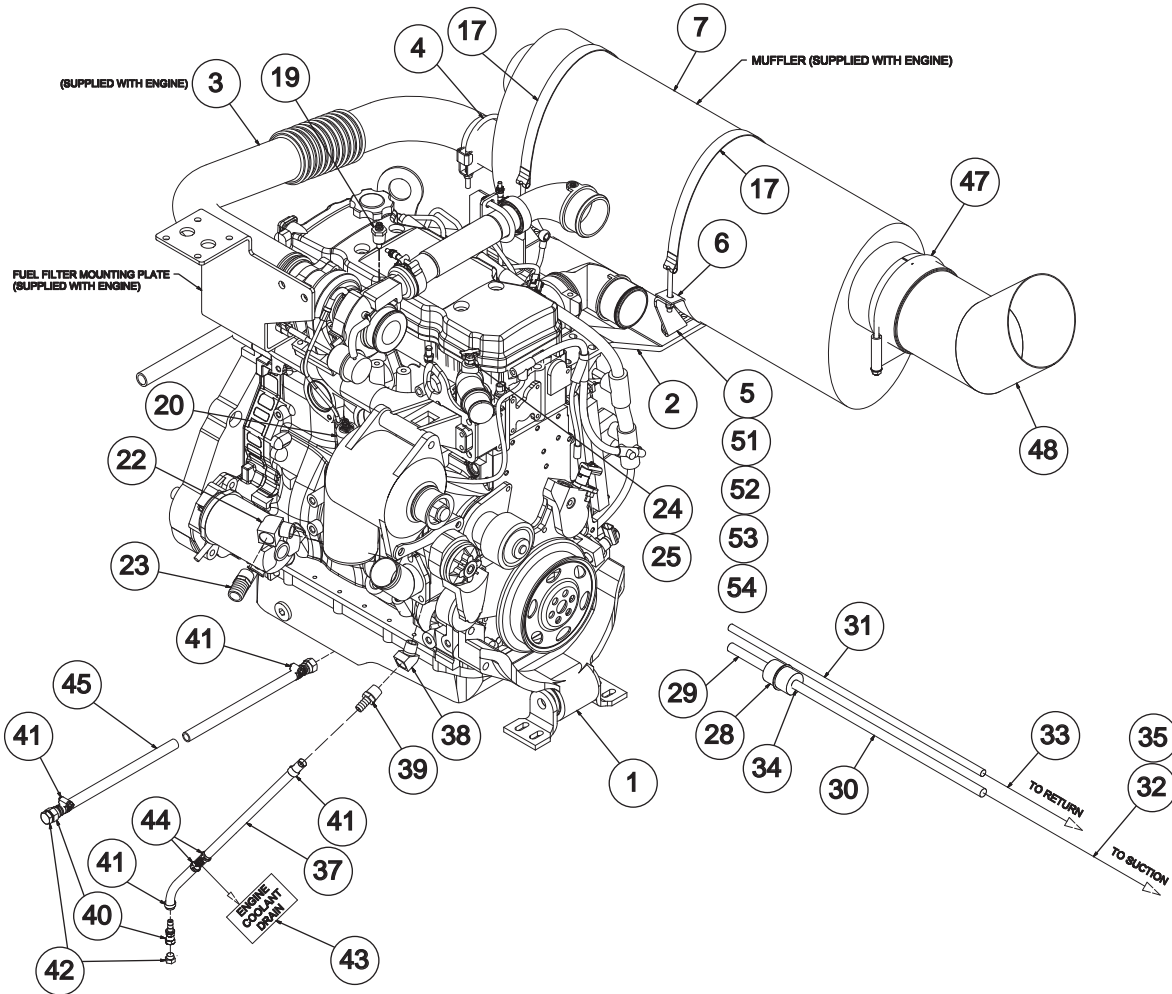
**Power Mounting Assembly**

Parts List No. 05234GAC

Ref #	Part Number	REV	Part Name	Description	Qty
-	0970432486	A	ASSEMBLY DRAWING	POWER MOUNTING	REF
102	0970830040	E	SUB-ASSEMBLY	ENGINE (See Form 24700-24701)	1
103	0970430617	C	BRACKET	AIR CLEANER SUPPORT	1
104	0970430616	-	AIR	CLEANER	1
105	0970430618	-	MOUNT BAND	AIR CLEANER	2
106	07383039	-	CAPSCREW	3/8" NC X 1-1/4	2
108	07014018	-	WASHER	3/8"	8
109	07014003	-	WASHER	3/8" LOCK	6
110	07383036	-	CAPSCREW	3/8" NC X 3/4"	4
111	07012025	-	HEXNUT	3/8" NC	6
112	4572077054	-	NIPPLE	1/8" PARKER	1
113	456900012603	-	INDICATOR	RESTRICTION	1
114	0970430644	-	ELBOW	4 X 5 X 90	1
115	4534000131	-	ELBOW	4" X 3" X 90DEGREE	1
116	0970432476	-	TUBE	4" AIR CLEANER INLET	1
117	4519100720	-	CLAMP	4.5" T-BOLT	2
118	4519100722	-	CLAMP	5.625" T-BOLT	1
119	0970432475	-	TUBE	3" AIR CLEANER INLET	1
120	4534000117	-	ADAPTER	ADAPTOR	1
121	4534000130	-	REDUCER	INSERT 5.0 TO 4.5	1
122	4519100718	-	CLAMP	4" T-BOLT	1
123	0970432507	-	HOSE	COOLANT FILL	1
124	0970432505	-	HOSE	1.75" ID	1
125	0970432506	A	HOSE	2.13" ID	1
126	4519100789	-	CLAMP	1.31" T-BOLT	2
127	4519100775	B	CLAMP	T-BOLT 2.25"	2
128	4618500132	-	CLAMP	2.25" T-BOLT	2
129	5003000202	D	HOSE	3/8" ID	7.5'
130	5003000131	-	HOSE	FUEL LINE SAE30R7	3.4'
131	4519100428	-	CLAMP	25/32" HOSE	2
132	4519100475	A	CLAMP	5/8" MAX HOSE	2
133	4519100716	-	CLAMP	3.5" T-BOLT	2
134	4534000120	A	HOSE	TWO CONVULUTE	1
135	4534000121	-	REDUCER	REDUCER INSERT	1
136	4618500122	-	CLAMP	5-9/16" TO 6-1/2"	1
138	0970432509	-	HOSE	3" ID CAC X 5"	2
139	0970432513	-	HOSE	3" ID CAC 13.5"	1
140	0970432512	-	HOSE	3" ID CAC 8"	1
141	4519100716	-	CLAMP	3.5" T-BOLT	10
142	0970432426	-	TUBE	CAC CONNECTOR	2
143	0970432510	-	HOSE	3" ID CAC 50.5"	1
144	0970432511	-	HOSE	3" ID CAC 53.5"	1
145	4571000208	-	CLAMP	MUFFLER CLAMP	2
146	0970432508	-	ELBOW	3" CSC 90 DEG ELBOW	2
148	4526300103	-	INSULATION	3" WIDE WRAP	12'
149	4534500115	A	TAPE	ALUMINUM 2"	30'

Return to Table  
of Contents Page

Engine Sub-Assembly



**Return to Table  
of Contents Page**



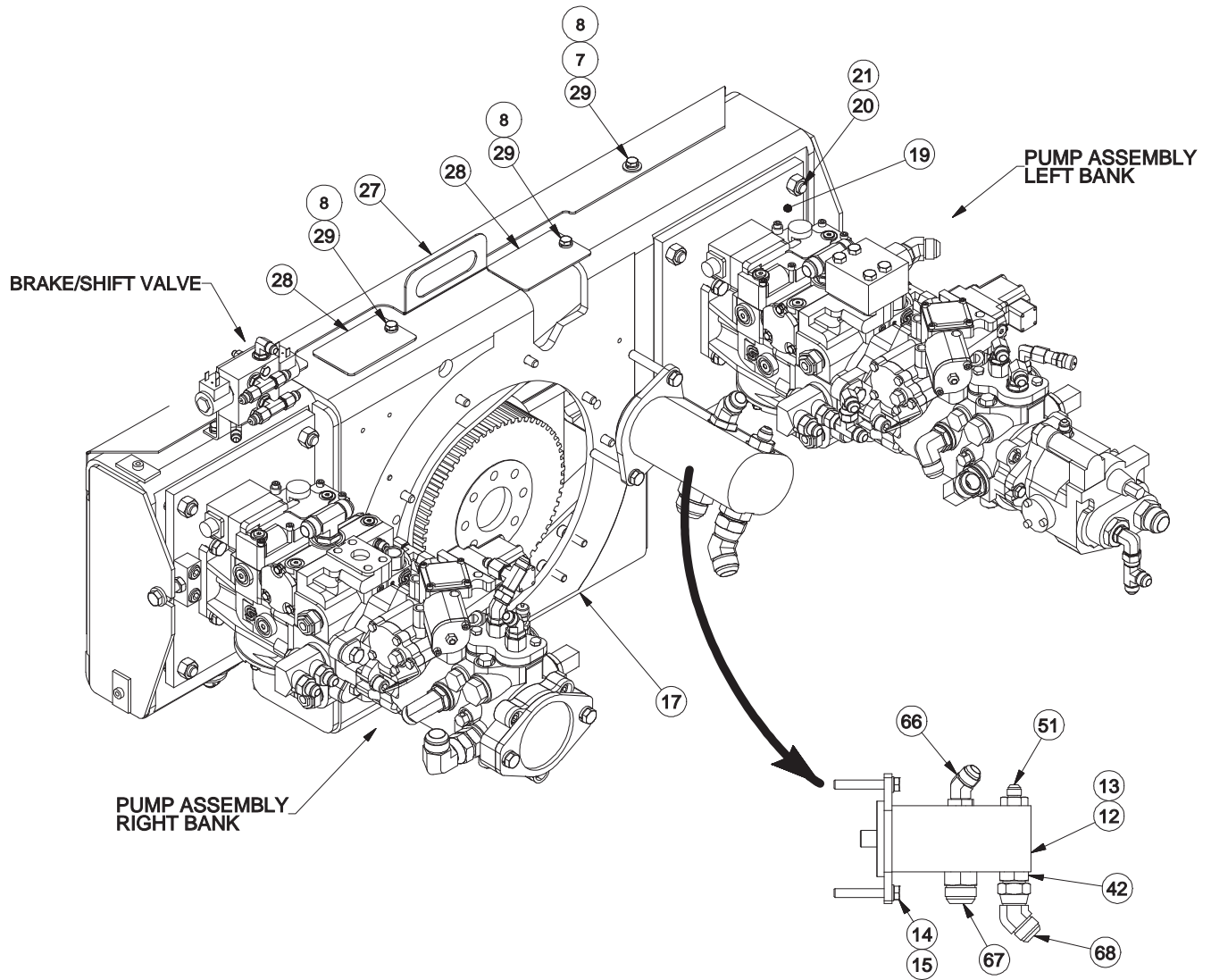
**CEDARAPIDS**

**Engine Sub-Assembly**

Parts No. 0970830040

Ref #	Part Number	REV	Part Name	Description	Qty
1	4593000173	C	ENGINE	QSB4.5 - TIER 3	1
2	0970432477		PLATE	MUFFLER MOUNTING	1
3	0970431598		EXHAUST TUBE	<i>(Supplied with Engine)</i>	1
4	4571000203	-	CLAMP	3" SADDLE	1
5	0970431991	A	FRONT MOUNT	FUME RECOVERY	2
6	4571000214	-	CLAMP	MUFFLER MOUNTING	2
7	0970430631		MUFFLER	<i>(Supplied with Engine)</i>	1
17	4618500126	B	CLAMP	STRAP	2
19	4586500319	-	SENDER	TEMPERATURE	1
20	4586500217	E	SENSOR	OIL PRESSURE	1
22	4519100780	-	ELBOW	3/4" STREET	1
23	4519151065	-	FITTING	1" HOSE BARB X3/4	1
24	4572076901	-	REDUCER	1/4" P TO 1/8" P	1
25	4525000708	-	VALVE	1/8" PET COCK	1
28	459300011802	-	STRAINER	FUEL	1
29	5003000202	D	HOSE	3/8" ID	5'
30	5003000202	D	HOSE	3/8" ID	3.4'
31	5003000131	-	HOSE	FUEL LINE SAE30R7	7.5'
32	07431008		HOSE END	3/8" HOSE SWIVEL	2
33	07431006		HOSE END	1/4" HOSE SWIVEL	1
34	4519100428	-	CLAMP	25/32" HOSE	3
35	4519100475	A	CLAMP	5/8" MAX HOSE	2
37	07431025		HOSE END	1/2" ELBOW SWIVEL	1
38	4519100779	-	ELBOW	45 DEG. STREET	1
39	4519151063	-	FITTING	1/2" BARB X 1/2" NPT	1
40	07431009		FITTING	1/2" HOSE SWIVEL	3
41	4519100434	-	CLAMP	9/16"-1-1/16"	4
42	07430240		PLUG	#8	2
43	07470169		NAMEPLATE	COOLANT DRAIN	1
44	4632000120	-	CABLE TIE	3/8"-1-3/4"	2
47	4571000207	A	CLAMP	6"	1
48	0970432484	B	ELBOW	EXHAUST	1
51	07383039		CAPSCREW	3/8" NC X 1-1/4	4
52	07012025		HEXNUT	3/8" NC	4
53	07014018		WASHER	3/8"	4
54	07014003		WASHER	3/8" LOCK	4
55	4589030059		CAPSCREW	M10 X 20 X 1.5	2
56	07014004		WASHER	7/16" LOCK	2

### Pump Drive Assembly

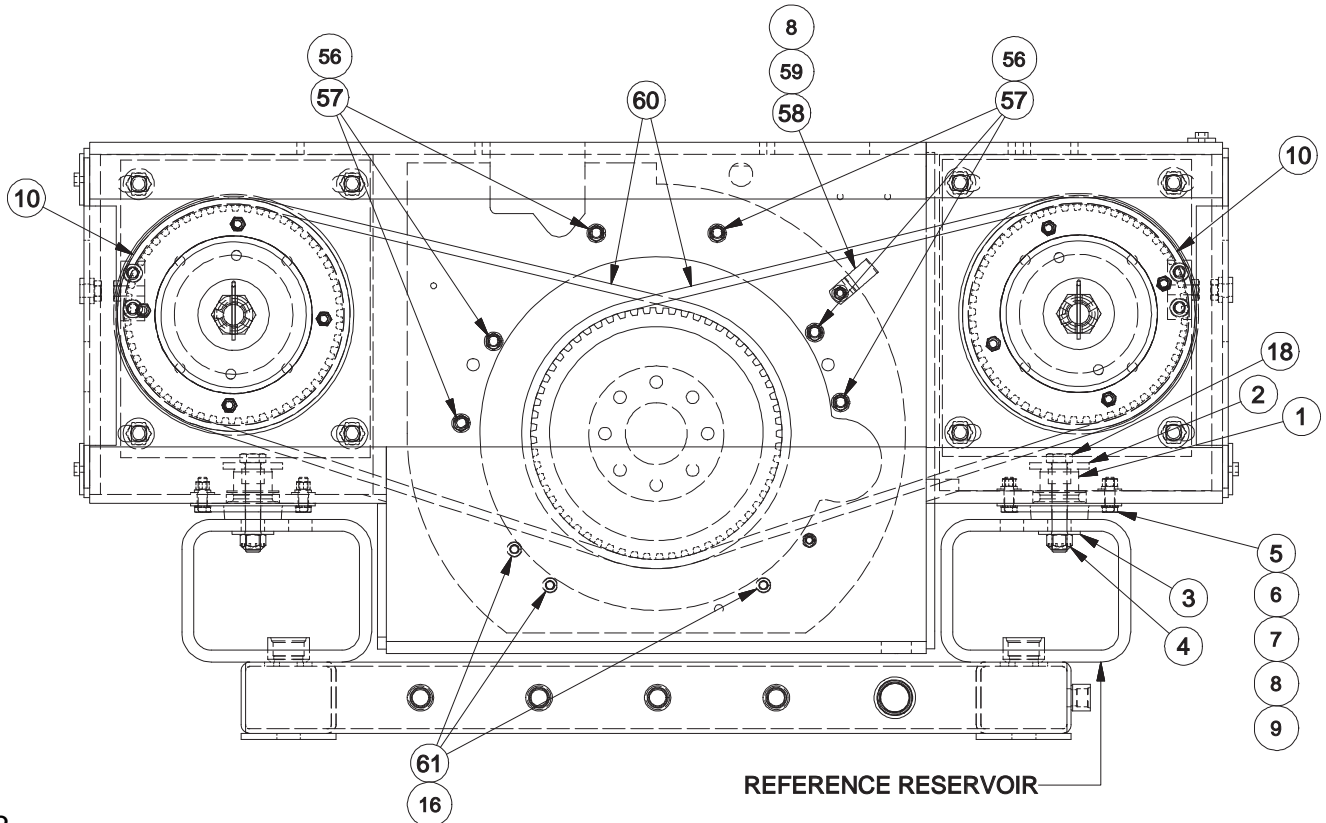
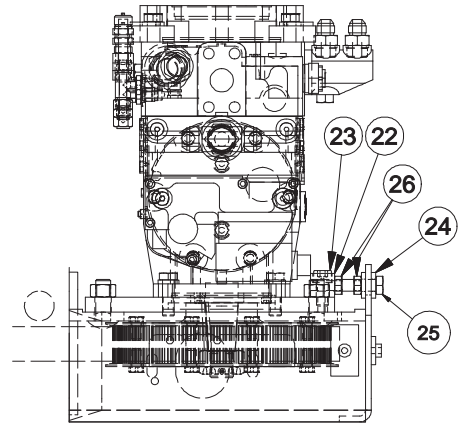
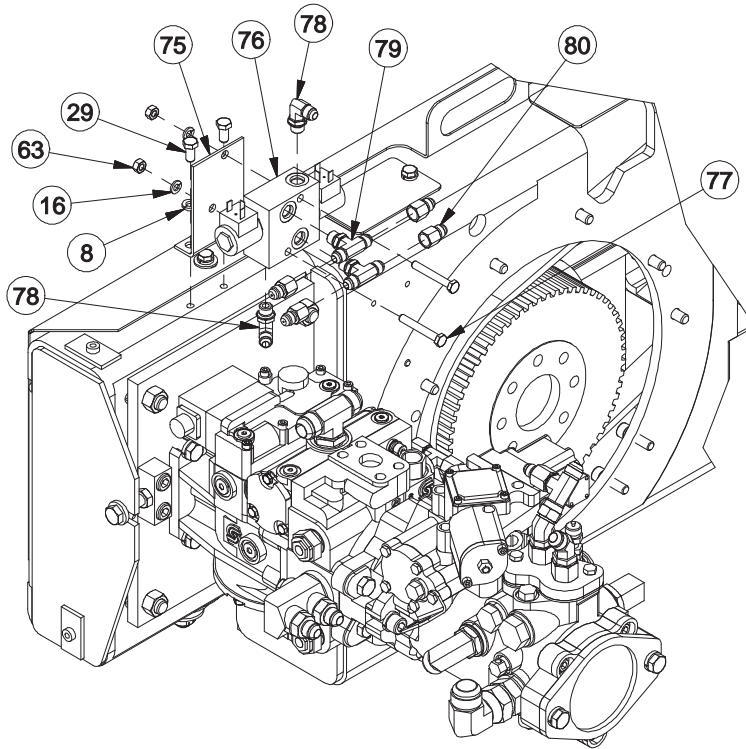






CEDARAPIDS

Pump Drive Assembly

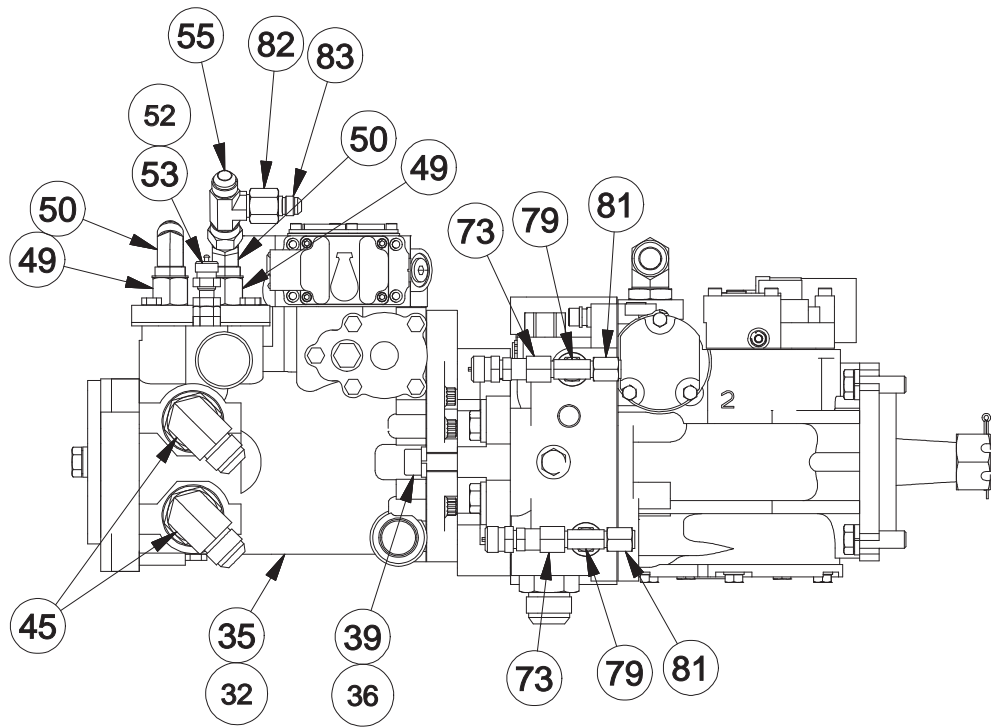




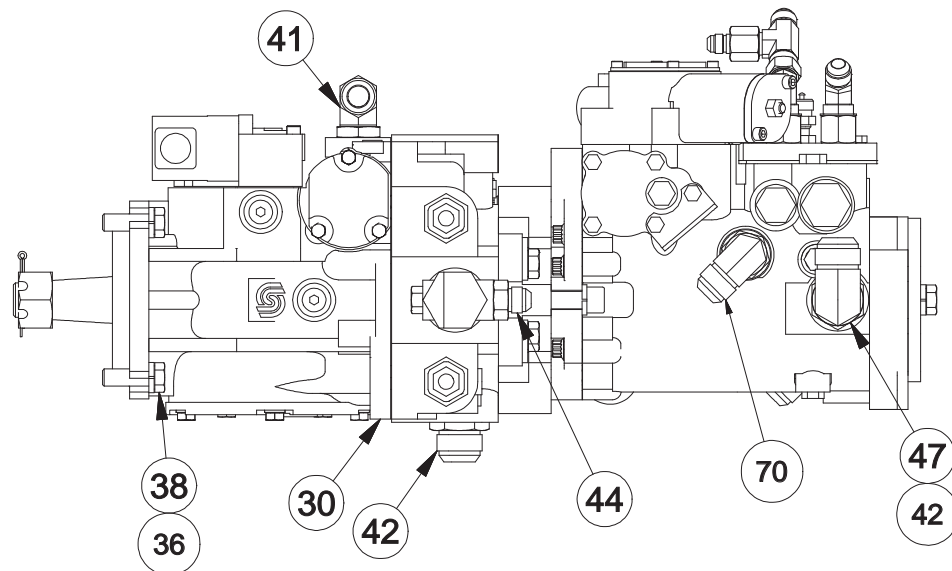


CEDARAPIDS

Pump Drive Assembly



RIGHT BANK - LEFT SIDE

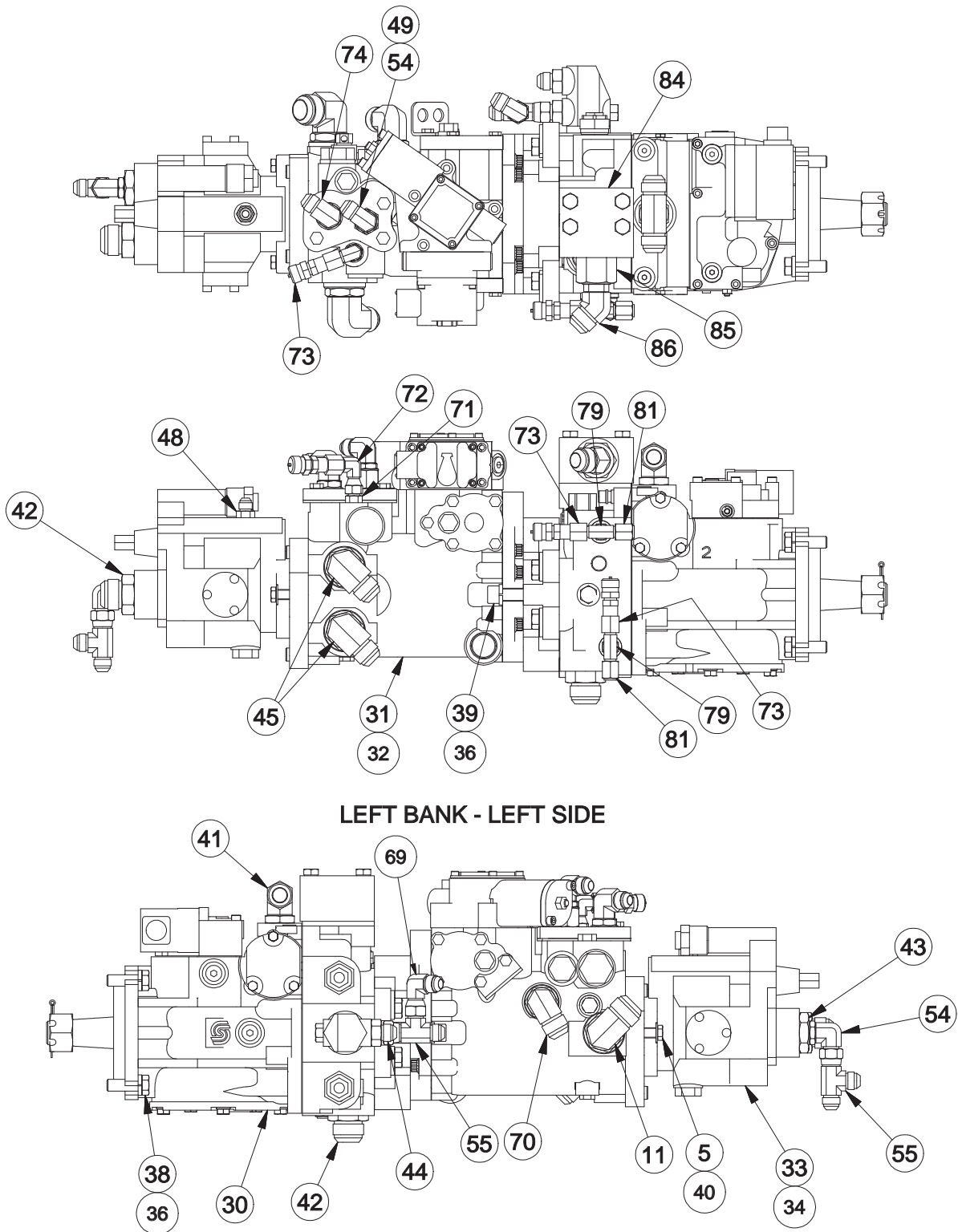


RIGHT BANK - RIGHT SIDE



**CEDARAPIDS**

**Pump Drive Assembly**



**LEFT BANK - LEFT SIDE**

**LEFT BANK - RIGHT SIDE**



CEDARAPIDS

## Pump Drive Assembly

Parts List No. 05234DAA

Ref #	Part Number	REV	Part Name	DESCRIPTION	QTY
-	09708-300-41	B	SUB-ASSEMBLY	PUMP DRIVE	1
1	45905-017-07	A	MOUNT	ENGINE	2
2	08049A06		WASHER	2 1/2" DIA.	2
3	07014-022		WASHER	5/8"	2
4	45890-102-29		LOCKNUT	5/8"NC CROWN LOCK	2
5	07383-039		CAPSCREW	3/8"NC X 1-1/4"	6
6	07438-009		WASHER	3/8"SHKP LK	4
7	07014-018		WASHER	3/8"	6
8	07014-003		WASHER	3/8" LOCK	11
9	07012-025		HEX NUT	3/8" NC	4
10	09704-315-06		SPROCKET	PUMP	2
11	07430-285		ELBOW	#16SAE #16JIC	1
12	45080-003-59		PUMP	HYDRAULIC	1
13	45240-125-65		O-RING	3.739" ID X .070"	1
14	45890-303-64		CAPSCREW	M12 X 1.75 X 80	2
15	45890-301-11		WASHER	M12 X 18 X 2.5	2
16	07014-002		WASHER	5/16" LOCK	6
17	09704-156-14		HOUSING	PUMP DRIVE	1
18	07383-109		CAPSCREW	5/8" NC X 3-3/4"	2
19	09704-315-58		PLATE	PUMP MOUNT	2
20	07072-197		CARR BOLT	5/8" NC X 1-3/4	8
21	45890-102-33		LOCKNUT	5/8" NC CENTER LOCK	8
22	09704-323-28		BLOCK	ADJ BOLT - THREADED	2
23	07025-020		CAPSCREW	SCH 1/2" NC X 1"	4
24	07465-001		WASHER	1/2" HRD FLT	4
25	07285-003		ADJ BOLT	1/2"NC X 2-1/2"	2
26	07017-027		HEX NUT	1/2" NC JAM	4
27	09704-315-20		COVER		1
28	09704-314-18		COVER	INSPECTION	2
29	07383-036		CAPSCREW	3/8" NC x 3/4"	6
30	45080-002-42		H PUMP	HYDRAULIC	2
31	45080-002-43		H PUMP	2.8 CID VARIABLE	1
32	45240-125-65		O-RING	3.739" OD x .070" WALL	2
33	45080-002-10		H PUMP	AUXILLIARY	1
34	45240-125-62		O-RING	3.443" OD X .103" WALL	1
35	45080-002-62		H PUMP	2.8 CID	1
36	07014-005		WASHER	1/2" LOCK	12
38	07383-070		CAPSCREW	1/2" NC X 1-1/2"	8
39	07025-023		CAPSCREW	SCH 1/2" NC X 1-3/4"	4
40	07465-014		WASHER	3/8" HARD FLAT	2
41	07430-305		TEE	#12 BRANCH	2
42	07430-267		CONNECTOR	#16 SAE #16 JIC	5
43	45720-775-28		REDUCER	#16 SAE X #8 SAE	1
44	07430-256		CONNECTOR	#10 SAE X #8 JIC	4
45	07430-378		ELBOW	#16 SAE #12 JIC	4
47	07430-406		ELBOW	1" SWIVEL	1
48	07430-252		CONNECTOR	#6 ORING X 3/8" IC	1
49	45720-775-34		REDUCER	#10 SAE TO #8 SAE	3
50	07430-314		ELBOW	3/4" SAE 1/2" JIC	2

CONTINUED



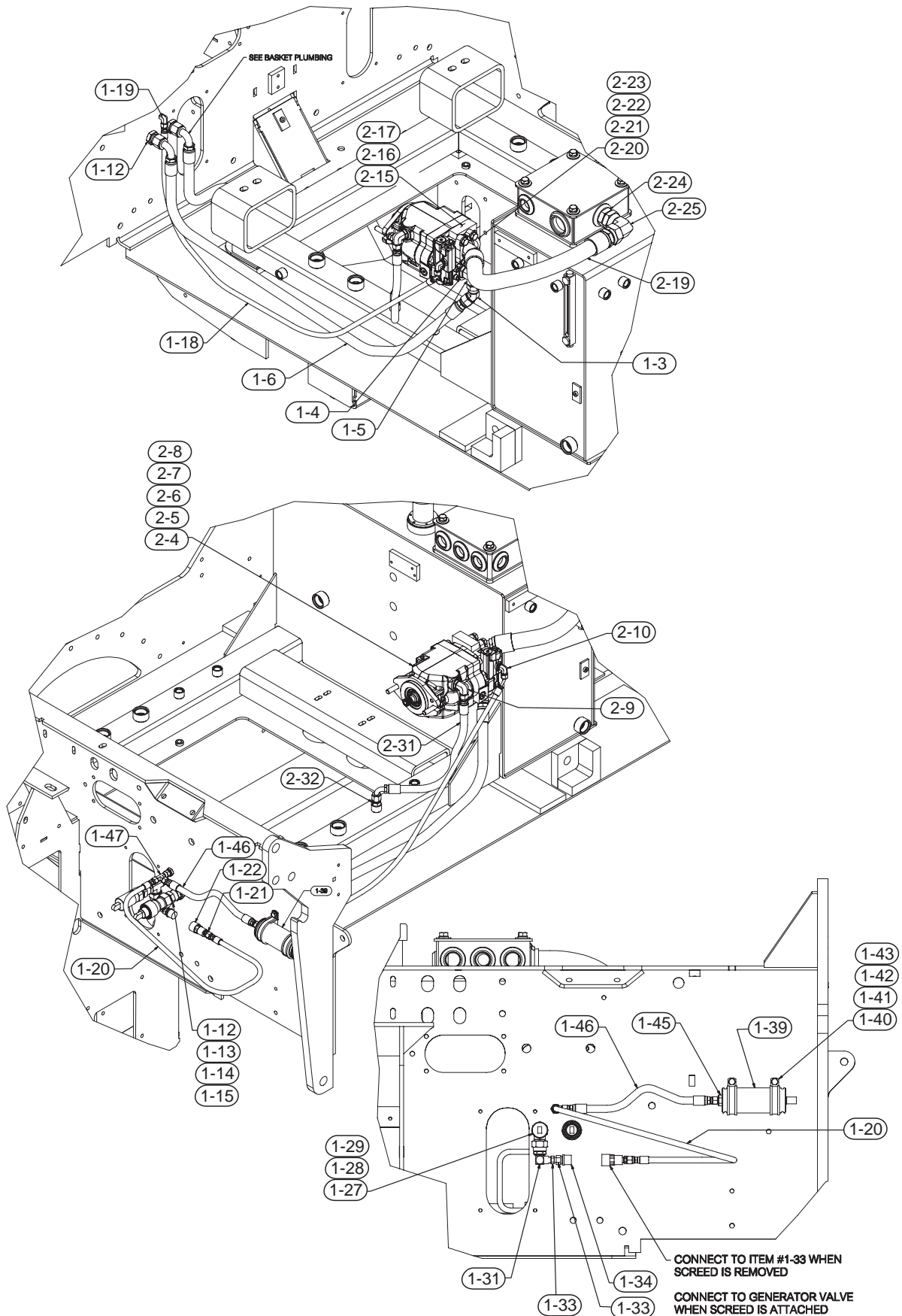
CEDARAPIDS

## Pump Drive Assembly

Parts List No. 05234DAA

Ref #	Part Number	REV	Part Name	DESCRIPTION	QTY
51	07430-257		CONNECTOR	1-1/16" SAE 1/2"	1
52	45720-775-54		REDUCER	SAE #6 TO SAE #4	1
53	45080-527-04		FITTING	SAE #4 PORT	1
54	07430-278		ELBOW	#8 SAE #8 JIC	2
55	07430-345		TEE	1/2" JIC SWIVEL NUT	3
56	07014-004		WASHER	7/16" LOCK	6
57	07383-054		CAPSCREW	7/16" NC X 1-1/4"	6
58	07509-009		HOSE CLAMP	1 1/8"	1
59	07383-020		CAPSCREW	5/16" NC X 3/4"	1
60	45825-004-04		BELT	125 TEETH 37MM WIDE	2
61	45890-303-05		CAPSCREW	SCH M8 X 35MM	3
62	07383-029		CAPSCREW	5/16" NC X 2-3/4"	1
63	07012-024		HEX NUT	5/16" UNC	3
64	09704-376-74*		HARNESS	TIER III ENGINE	1
65	09704-376-88*		HARNESS	ENGINE 300L TIER 3	1
66	07430-318		ELBOW	#12SAE X #12JIC	1
67	07430-269		CONNECTOR	#16SAE TO #20 JIC	1
68	07430-429		ELBOW	1" SWIVEL	1
69	07430-405		ELBOW	1/2" SWIVEL	1
70	07430-282		ELBOW	#12SAE X #12JIC	2
71	07430-416		CONNECTOR	3/8" JIC X #4 SAE	1
72	07430-383		ELBOW	3/8" SWIVEL NUT	1
73	45080-527-18		FITTING	TEST 3/8" MALE JIC	5
74	07430-279		ELBOW	#10SAE X #8JIC	1
75	09704-324-89		MOUNT	BRAKE/SHIFT VALVE	1
76	09704-656-69		VALVE	BRAKE/RANGE SHIFT	1
77	07383-027		CAPSCREW	5/16" NC X 2-1/4"	2
78	07430-275		ELBOW	#6 ORING X 3/8" JIC 90DG	2
79	07430-302		TEE	3/8"	6
80	45259-012-03		FITTING	ORIFICE 5/64" DIA	4
81	07430-228		CAP	3/8" JIC	4
82	07430-207		NUT	1/2" JIC	1
83	07430-325		REDUCER	1/2" TO 3/8"	1
84	45191-007-96		ADAPTER	1" SAE 90° FLANGE CODE 62	1
85	45720-775-25		REDUCER	16 ORB X 12 ORB	1
86	07430-317		ELBOW	#12JIC X #10SAE 45D	1

**Tractor Plumbing - Electric Screens**





CEDARAPIDS

## Tractor Plumbing - Electric Screeds

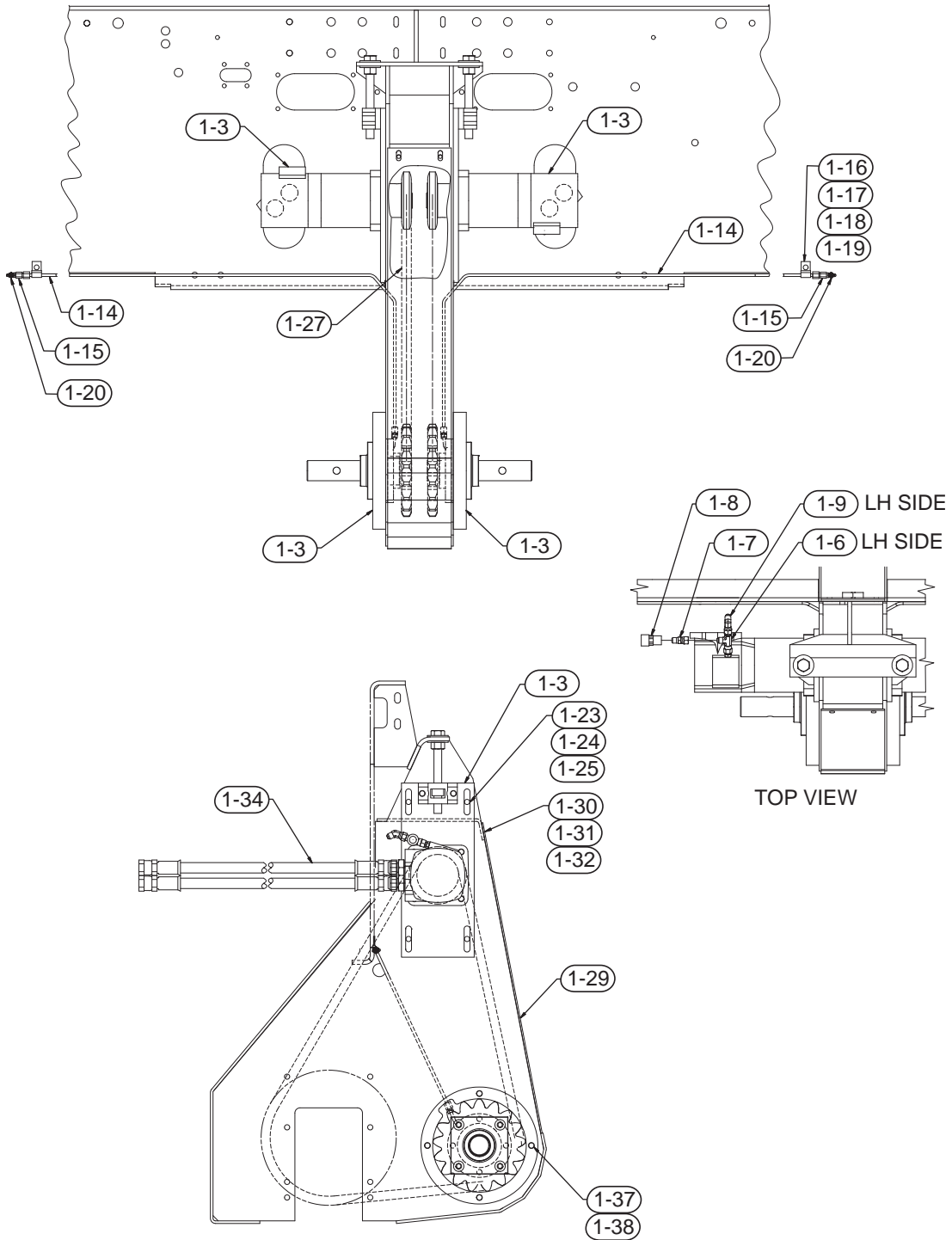
Parts List No. 05234DMA

Ref #	Part Number	REV	Part Name	Description	Qty
-	0970466385		ASSEMBLY DRAWING	GENERATOR PUMP	REF
103	07430427		FITTING	3/4" JIC SWIVEL	1
104	4519100496	A	FLANGE KIT		1
105	07430378		ELBOW	1-5/16" SAE 3/4" JIC	1
106	0767305635	-	HOSE ASSY	3/4" ID X 56"	1
112	07430369		UNION	3/4" JIC BULKHD	1
113	07430435		CONNECTOR	3/4" MPT X 3/4" J	1
114	4519150431	A	COUPLER	FEMALE 3/4" FPT	1
115	4519150603	-	DUST PLUG	3/4" QD	1
118	076600623401	-	HOSE ASSY		1
119	07430379		ELBOW	3/8" UNION	1
120	076600543301	-	HOSE	100R2 X 54"	1
121	07430004		CONNECTOR	1/4" P X #6 JIC	1
122	451915041401	A	COUPLER	1/4" QD	1
127	07430435		CONNECTOR	3/4" MPT X 3/4" J	1
128	4519150430	A	COUPLER	MALE 3/4" FPT	1
129	4519150504	-	DUST CAP	3/4" QD	1
131	4572077643	-	ADAPTER	90DEG. #12 JIC	1
132	4572077021	-	NIPPLE	1/4" X 1/4"	1
133	451915041402	A	NIPPLE	COUPLING	1
134	451915041404	-	CAP	1/4"	1
139	4508550218	-	ACUMULATOR	PISTON	1
140	4519100448	A	CLAMP	TIE DOWN	2
141	07383039		CAPSCREW	3/8" NC X 1-1/4	2
142	07014003		WASHER	3/8" LOCK	2
143	07012025		HEX NUT	3/8" NC	2
145	07430253		CONNECTOR	3/4" SAE 3/8" JIC	1
146	0766101433	-	HOSE ASSY	3/8" JIC X 14"	1
147	07430344		TEE	3/8" JIC SWIVEL NUT	1
204	4508000292	-	PUMP	GENERATOR	1
205	4524012565	-	O RING	3.739" ID X .070" WA	1
206	07383073		CAPSCREW	1/2" NC X 2-1/4"	2
207	07014005		WASHER	1/2" LOCK	2
208	07012027		HEX NUT	1/2" NC	2
209	07430279		ELBOW	#10 SAE #8 JIC	1
210	07430417		ELBOW	7/16" SAE 3/8" JIC	1
215	0970432242	C	ADAPTER	GENERATOR PUMP	1
216	4525950865	-	O RING	2.234" ID	1
217	07025021		CAPSCREW	SCH1/2NCX1-1/4	4
219	076350273901		HOSE ASSY	GENERATOR SUCTION HOSE	1
220	4525950868	-	O RING	1.859" ID	1
221	4519100493	-	FLANGE	HALF 1-1/2"	2
222	07383070		CAPSCREW	1/2" NC X 1-1/2	4
223	07014005		WASHER	1/2" LOCK	4
224	07430270		CONNECTOR	1-5/8" STR THD	1
225	07430465		ELBOW	1-1/4" SWIVEL	1
231	0765201835	A	HOSE ASSY	1/2" ID X 18"	1
232	07430255		CONNECTOR	#8MSAE X #8MJIC	1



CEDARAPIDS

Conveyor and Auger Drive






---

**CEDARAPIDS**


---

**Conveyor and Auger Drive**
Parts List No. 05234DFC

Ref #	Part Number	REV	Part Name	Description	Qty
-	0970420691		ASSEMBLY DRAWING	CONVEYOR DRIVE	REF
103	0970820008	A	SUB-ASSEMBLY	CONVEYOR DRIVE (See Form 24711)	1
106	07430344		TEE	3/8"JIC SWIVEL NUT	1
107	07430423		CONNECTOR	1/4"NPT X 3/8"J	1
108	451915041401	A	COUPLER	1/4"QD	1
109	07430426		ELBOW	#6 X 45 SWIVEL	1
114	0970420565	A	TUBE ASSY		2
115	07430008		CONNECTOR	1/8"NPT-1/4"JIC	2
116	4618500113	A	HOSE CLAMP	1/4" HOSE	2
117	07383038		CAPSCREW	3/8" NC X 1"	2
118	07014003		WASHER	3/8" LOCK	2
119	07012025		HEX NUT	3/8" NC	2
120	07051002		FITTING	GREASE 1/8" X 45	2
123	07383069		CAPSCREW	1/2"NC X 1-1/4"	8
124	07014005		WASHER	1/2" LOCK	8
125	07014020		WASHER	1/2"	8
127	0970415107	A	CHAIN		2
129	0970415442	A	COVER	FRONT	1
130	07383036		CAPSCREW	3/8" NC X 3/4"	2
131	07014018		WASHER	3/8"	2
132	07014003		WASHER	3/8" LOCK	2
134	0766304533	-	HOSE ASSY		4
135	07430426		ELBOW	#6 X 45 SWIVEL	1
137	07025022		CAPSCREW	SCH1/2NCX1-1/2	8
138	07014005		WASHER	1/2" LOCK	8

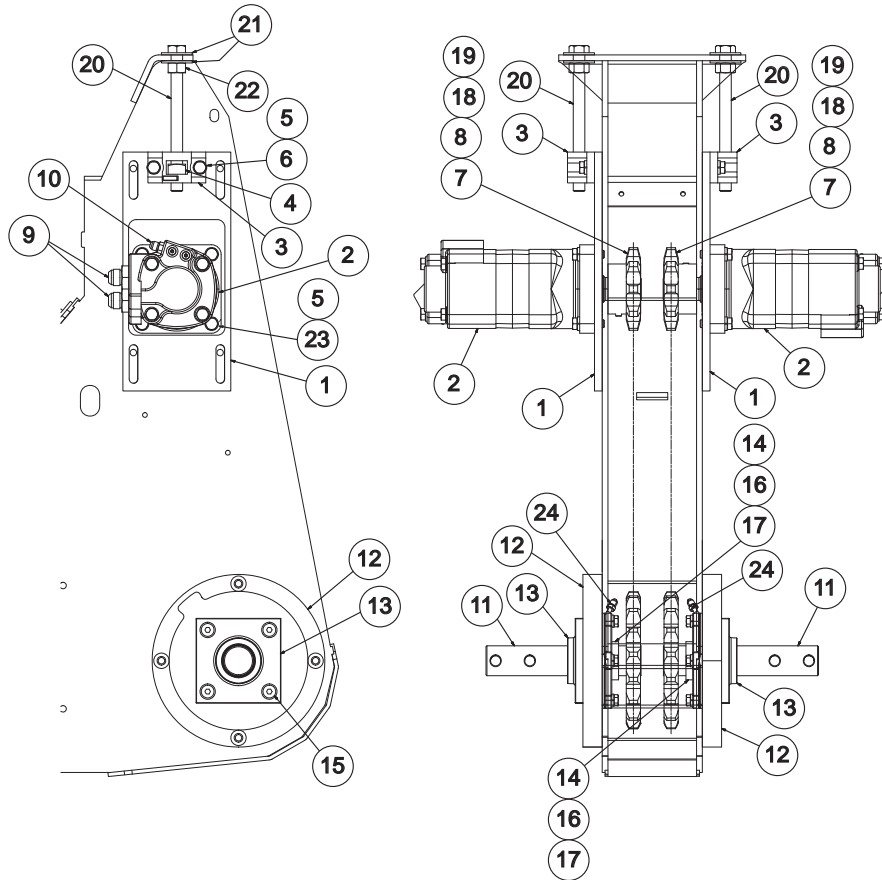




**CEDARAPIDS**

**Conveyor and Auger Drive Sub-Assembly**

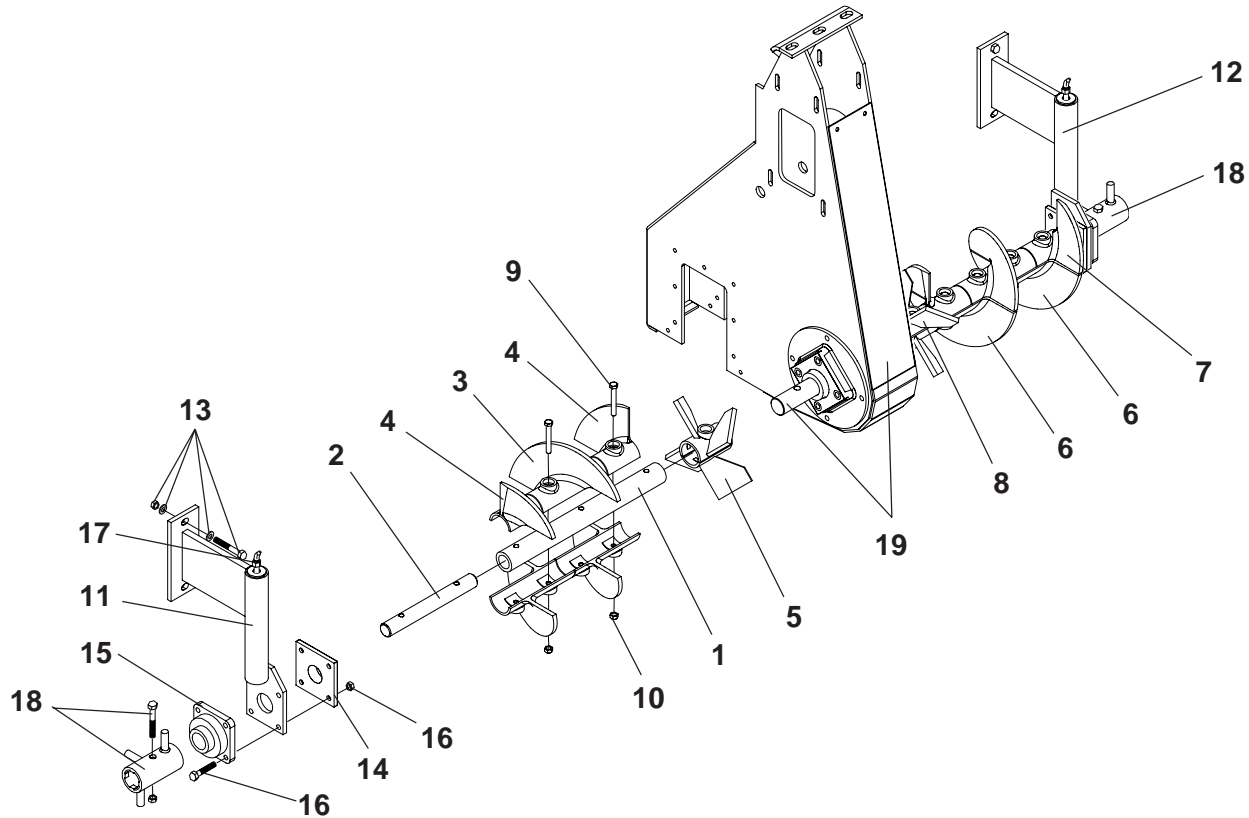
Part No. 0970820008



Ref #	Part Number	REV	Part Name	Description	Qty
1	0970420690		PLATE	CONVEYOR DRIVE	2
2	4508000481	A	HYDRAULIC MOTOR		2
3	01206B10	B	ADJUSTING LUG		2
4	07012008		SQUARE NUT	3/4" NC	2
5	07014005		WASHER	1/2" LOCK	12
6	07383068		CAPSCREW	1/2" NC X 1"	4
7	01388A10L	-	SPROCKET		2
8	4082600150		KEY		2
9	07430264		CONNECTOR	1-5/16"SAE 3/4"	4
10	07430416		CONNECTOR	3/8"JIC X 1/4"S	2
11	0970425178	B	SHAFT	AUGER DRIVE	2
12	0970425351	D	PLATE	INNER BRG ADAPTER	2
13	0970425174	C	PLATE	AUGER BRG SEAL	2
14	4513401041	A	FLANGE BEARING	1-15/16"BORE	2
15	07389045		CAPSCREW	SCH1/2NCX1-1/4	8
16	07014004		WASHER	7/16" LOCK	8
17	07383056		CAPSCREW	7/16"NC X1-3/4	8
18	07131076		SETSCREW	3/8" NC X 1/2"	2
19	07131078		SET SCREW	3/8" NC X 3/4"	2
20	07153029		ADJ BOLT		2
21	07014023		WASHER	3/4"	4
22	07012030		HEX NUT	3/4" NC	2
23	07383071		CAPSCREW	1/2"NC X 1-3/4"	8
24	0970415595		TUBE ASSEMBLY	BEARING GREASE LINE	2



### Screw Conveyor Mounting



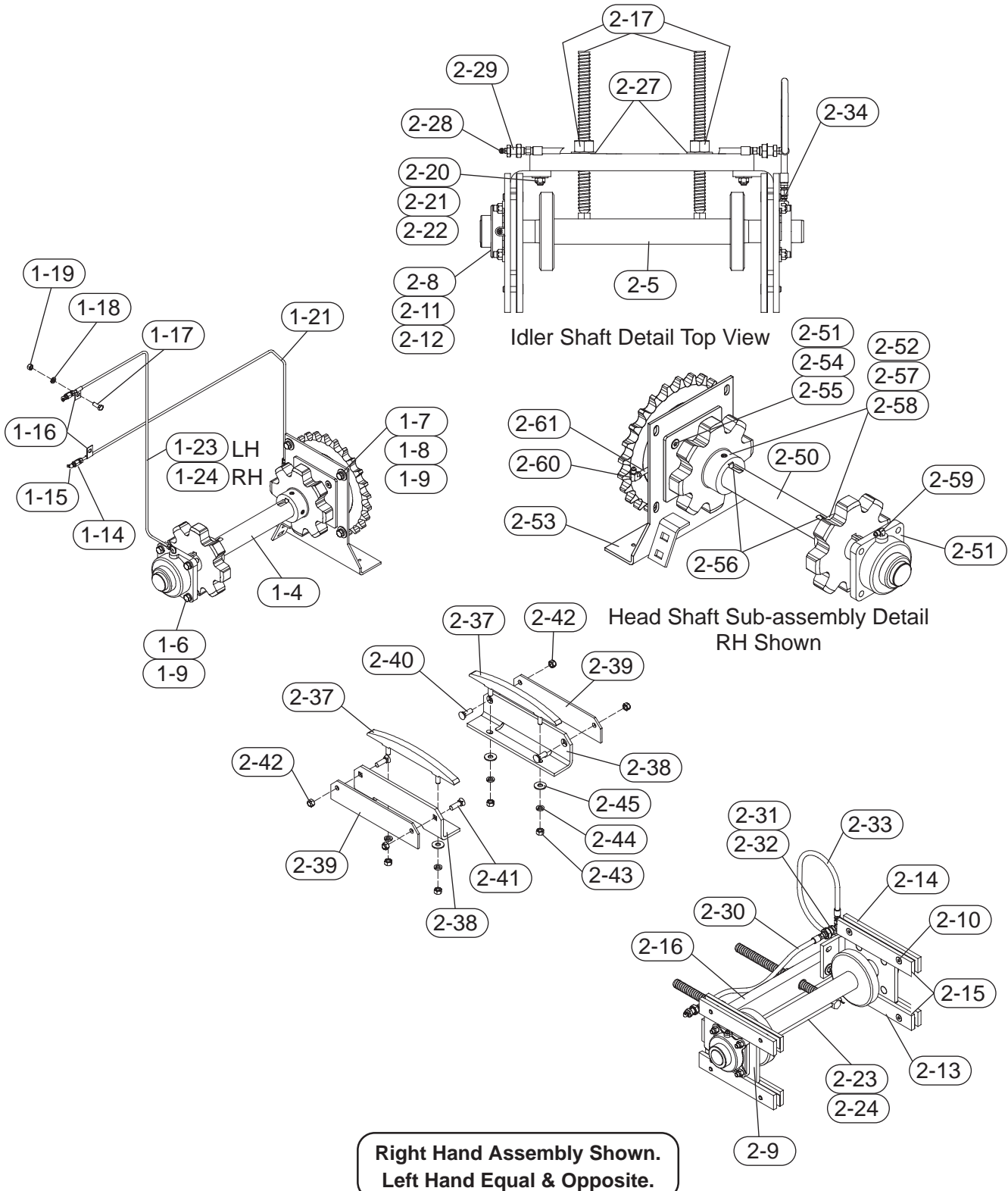
Ref. No.	Part Number	Description	Quantity
1	9704-251-75	Tube, Auger Shaft	2
2	9700-040	Shaft, Screw Conveyor	2
3	9704-251-68	Screw, 14" Left Half Section	3
4	9704-251-70	Screw, 14" Left Quarter Section	2
5	9704-251-97	Paddle, Left Reversing / Split	2
6	9704-251-67	Screw, 14" Right Half Section	3
7	9704-251-69	Screw, 14" Right Quarter Section	2
8	9704-251-98	Paddle, Right Reversing / Split	2
9	7383-112	Capscrew, 5/8" x 4-1/2"	10
10	45890-102-29	Locknut, 5/8"	10
11	9704-251-55	Hanger, Bearing - Left Hand	1
12	9704-251-56	Hanger, Bearing - Right Hand	1
13	7072-202	Carriage Bolt, 5/8" x 2-1/4"	4
	7465-002	Washer, 5/8" Hardened Flat	4
	7014-007	Lockwasher, 5/8"	4
	7012-029	Hex Nut, 5/8"	4
14	9704-251-74	Plate, Seal - Auger Bearing	2
15	45134-010-40	Flange Bearing, 1-15/16" Bore	2
16	7389-049	Capscrew, 1/2" x 2-1/4" Sockethead	8
	45890-102-28	Locknut, 1/2"	8
17	40500-015-00-01	Pipe, 1/8" x 15"	2
	7084-001	Coupling, 1/8"	2
	7051-002	Grease Fitting, 1/8" 45°	2
	9704-251-62	Agitator	2
18	7383-109	Capscrew, 5/8" x 3-3/4"	2
	45890-102-29	Locknut, 5/8"	2
19	Reference	See Conveyor & Auger Drive - Section 6	-





CEDARAPIDS

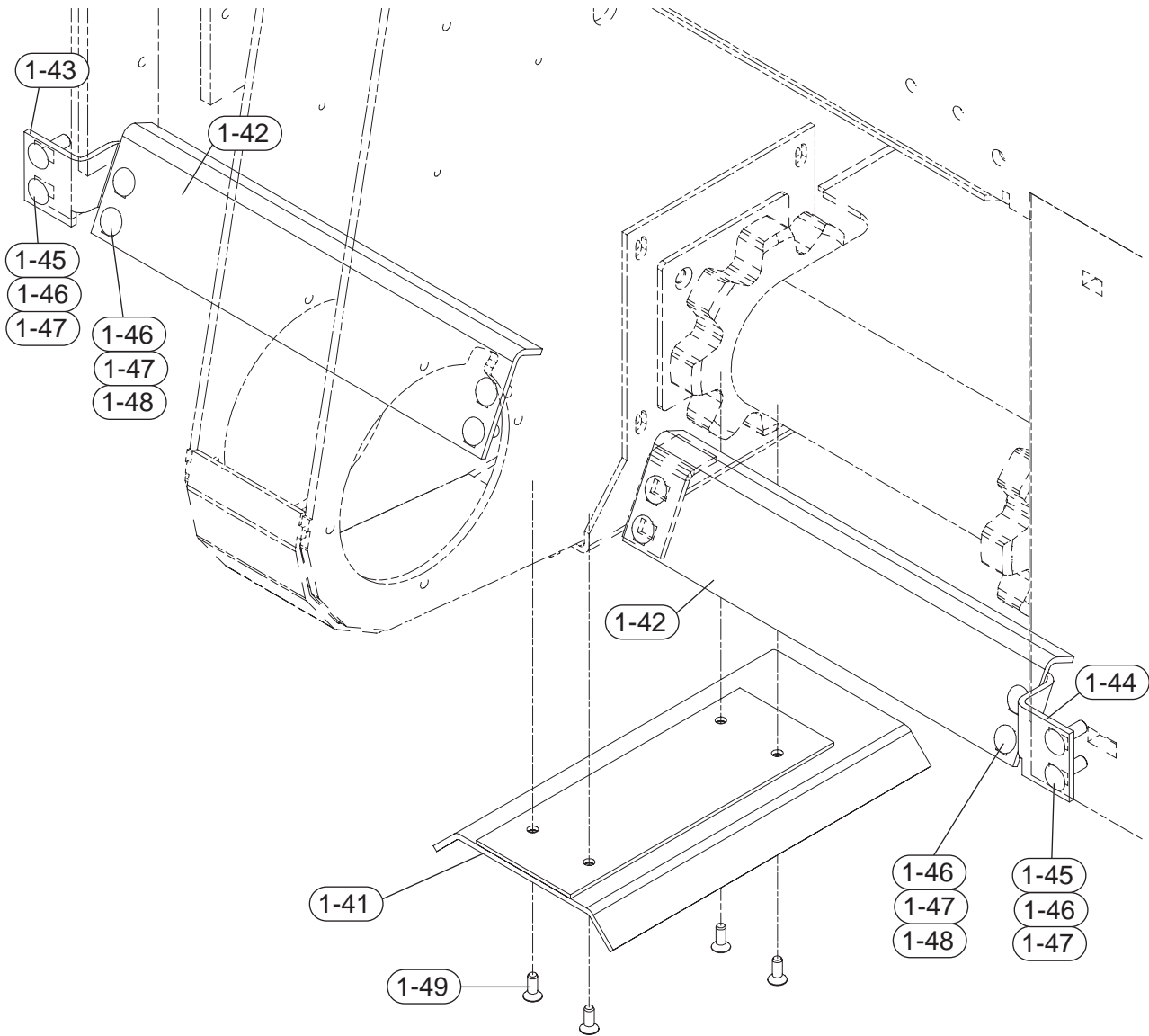
Slat Conveyor





CEDARAPIDS

Auger Chutes - Slat Conveyor





## CEDARAPIDS

## Slat Conveyor

Parts List No. 05210EAP

Ref #	Part Number	Part Name	Description	Qty
1-4	0970820009	SUB-ASSY	300L CONVEYOR HEAD SHAFT	1
<u>NOTE: Items 2-50 through 2-61 below are included in this Sub-Assembly</u>				
1-6	07383070	CAPSCREW	1/2" NC X 1-1/2	8
1-7	07383068	CAPSCREW	1/2" NC X 1"	8
1-8	07014020	WASHER	1/2"	8
1-9	07014005	WASHER	1/2" LOCK	16
1-14	07430008	CONNECTOR	1/8" NPT - 1/4" JIC	4
1-15	07051002	FITTING	GREASE 1/8" X 45	4
1-16	4618500113	HOSE CLAMP	1/4" HOSE	4
1-17	07383038	CAPSCREW	3/8" NC X 1"	2
1-18	07014003	WASHER	3/8" LOCK	2
1-19	07012025	HEXNUT	3/8" NC	2
1-21	0970420565	TUBE ASSY		2
1-23	0970420695	TUBE ASSY	LH OUTER SLAT GREASE	1
1-24	0970420696	TUBE ASSY	RH OUTER SLAT GREASE	1
1-39	0970420697	ASSY	AUGER CHUTE	
1-40	0970920018	KIT	SLAT CONVEYOR DEFLECTOR	1
1-41	0970415613	DEFLECTOR	DRIVE HOUSING	1
1-42	0970420692	PLATE	SLOPED	2
1-43	0970420589	BRACKET	LH	1
1-44	0970420590	BRACKET	RH	1
1-45	07072102	CARR BOLT	1/2" NC X 1-1/2"	4
1-46	07014020	WASHER	1/2"	12
1-47	4589010228	LOCKNUT	1/2" NC	12
1-48	07072101	CARR BOLT	1/2" X 1-1/4"	8
1-49	07389024	CAPSCREW	SCH 3/8" NC X 1"	4
2-4	0970920015	KIT	300L SLAT CONVEYOR IDLER	1
2-5	0970420676	SHAFT	IDLER 300L	2
2-8	F0115FGA	FL BEARING	1-15/16"	4
2-9	0970420518	FLAT	BEARING SLIDE	4
2-10	07389047	CAPSCREW	SCH 1/2 NC X 1-3/4	16
2-11	07445002	PLOW BOLT	1/2" NC X 2" #3	16
2-12	4589010228	LOCKNUT	1/2" NC	16
2-13	0970420526	GUIDE	CONVEYOR TAKE-UP	8
2-14	0970420527	GUIDE	CONVEYOR TAKE-UP	8
2-15	0970420537	SHIM	CONVEYOR TAKE-UP GUIDE	8
2-16	0970420520	BASE	SLIDE MOVING	2
2-17	0970415561	ADJUSTING BOLT	<i>(Includes Nut Below)</i>	4
	07513916	NUT	1" COIL THREAD	4
2-20	07383075	CAPSCREW	1/2" NC X 2-3/4"	4
2-21	07014020	WASHER	1/2"	4
2-22	4589010228	LOCKNUT	1/2" NC	4
2-23	0970420519	HANDLE	TIGHTEN/LOCK	2
2-24	07011017	COTTER PIN	1/8" X 1"	4
2-27	07097018	WASHER	1-1/8" FLAT SAE	4
2-28	07051004	FITTING	GREASE 1/8" 90 DEGREE	2
2-29	4572000111	COUPLING	1/8" X 1/8" X 1-1/2"	2
2-30	076500211101	HOSE ASSY		2
2-31	4572000107	COUPLING	1/4" X 1-1/2" FPT	2
2-32	07430017	ELBOW	1/4" NPT - 1/4" JIC	2
2-33	0765001433	HOSE ASSY	1/4" ID X 14"	2
2-34	07430001	CONNECTOR	1/8" NPT - 1/4" JIC	2



## CEDARAPIDS

## Slat Conveyor

Parts List No. 05210EAP

Ref #	Part Number	Part Name	Description	Qty
2-37	0970420624	SKATE	RETURN RAIL	4
2-38	0970420458	ANGLE	RETURN RAIL	4
2-39	0970420685	SPACER	RETURN HANGER	4
2-40	07445025	PLOW BOLT	1/2" NC X 1-1/2"	4
2-41	07445001	PLOW BOLT	1/2" X 1-3/4"	4
2-42	4589010228	LOCKNUT	1/2" NC	8
2-43	07012027	HEXNUT	1/2" NC	8
2-44	07014005	WASHER	1/2" LOCK	8
2-45	07014020	WASHER	1/2"	8

NOTE: Items 2-50 through 2-61 are included in Sub-Assy: 0970820009 (Qty shown for both sides)

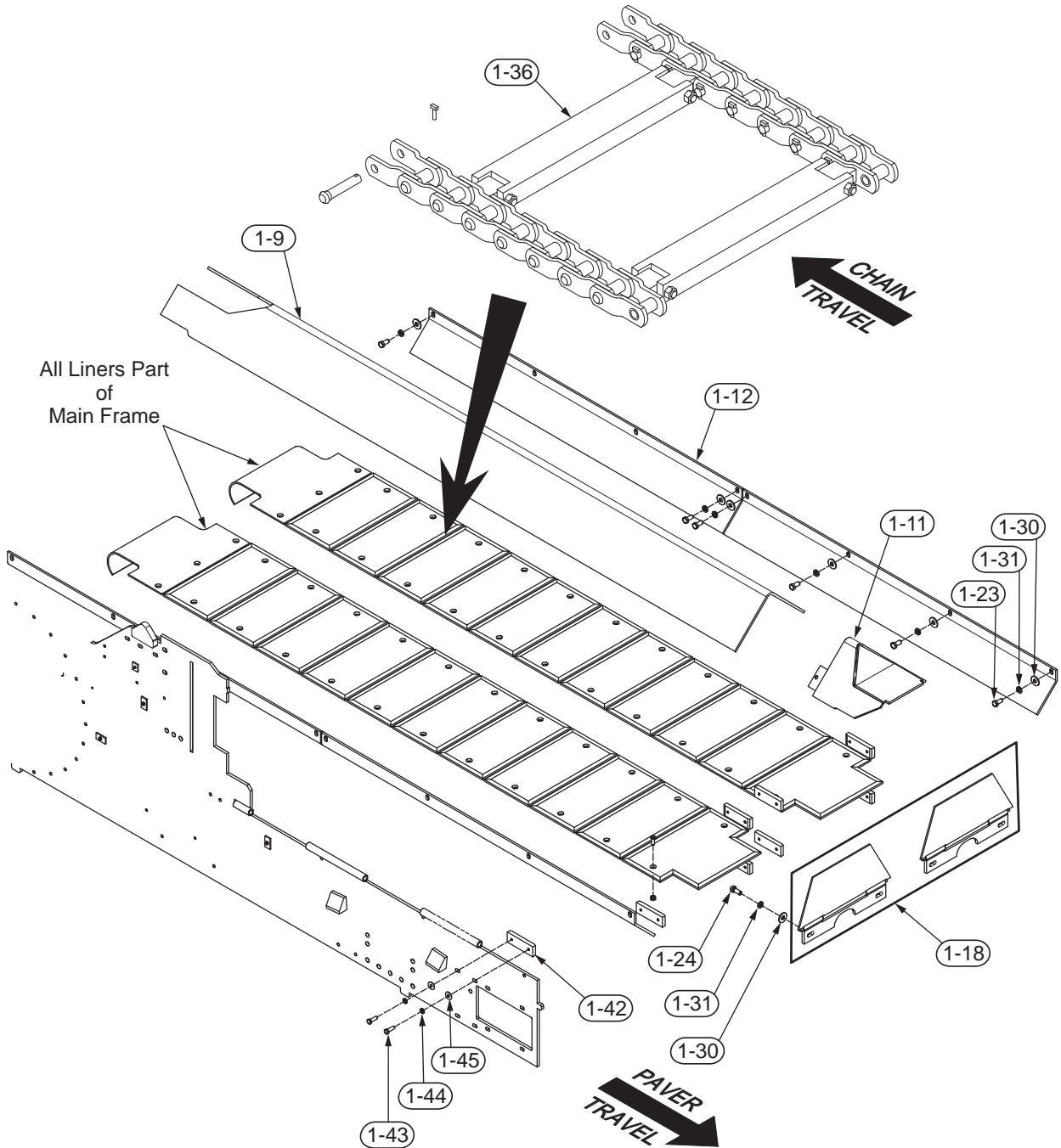
2-50	0970420677	SHAFT	300L SLAT SHAFT	2
2-51	F0203FGA	FL BEARING	2-3/16"	4
2-52	0970420643	SPROCKET	HARDENED CONV DR	4
2-53	0970920019	KIT	300L BEARING PLATE	1
	0970415611	PLATE	LH BEARING	1
	0970415612	PLATE	RH BEARING	1
2-54	07389047	CAPSCREW	SCH1/2NCX1-3/4	8
2-55	4589010228	LOCKNUT	1/2" NC	8
2-56	40803003	KEY	1/2" SQ X 3"	4
2-57	07131098	SET SCREW	1/2" NC X 3/8"	4
2-58	07131101	SET SCREW	1/2" NC X 5/8"	4
2-59	07430016	CONNECTOR	1/8" NPT-1/4" JIC	2
2-60	07430084	ELBOW	1/8" FPTX1/4" JIC	2
2-61	405000030001	PIPE	1/8" DIA. X 3" TBE	2





CEDARAPIDS

Slat Conveyor Chain & Liners





## CEDARAPIDS

## Slat Conveyor Chain &amp; Liners

Parts List No. 05234EAA

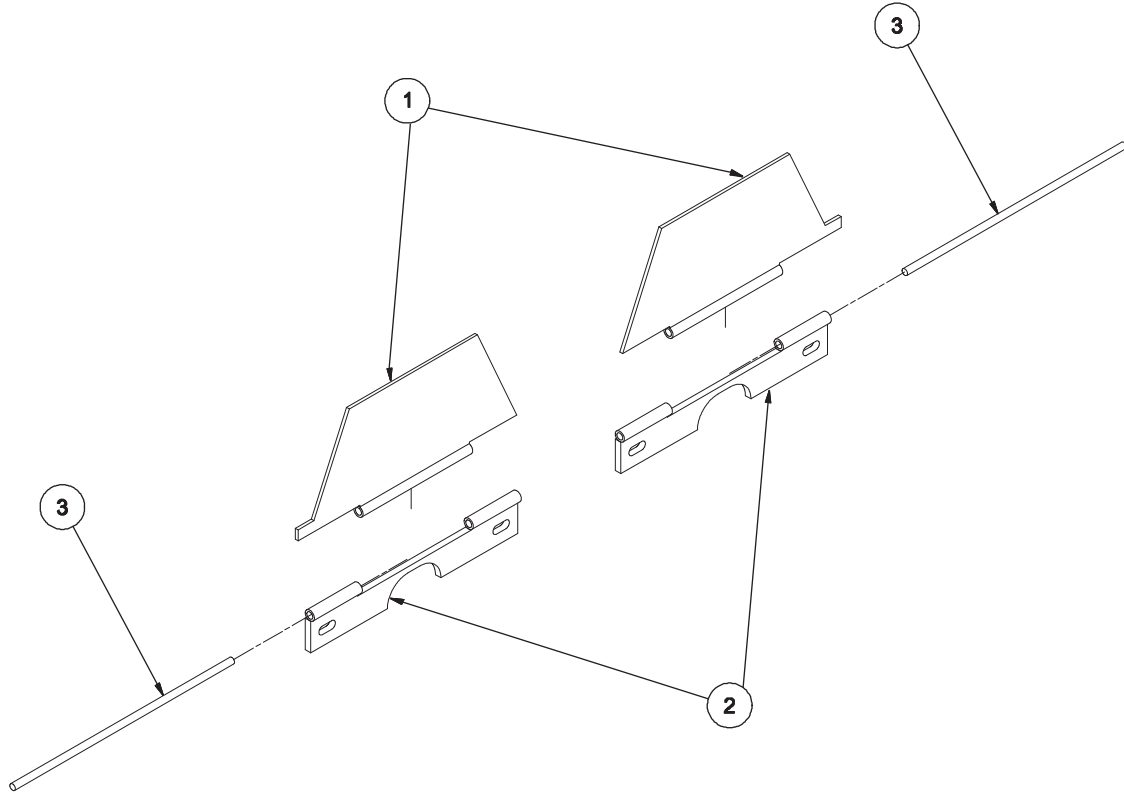
Ref #	Part Number	REV	Part Name	Description	Qty
-	0970420704		ASSEMBLY DRAWING	SLAT CONVEYOR CHAIN & LINERS	REF
-	0970920017		KIT	SKIRTBOARD ( <i>Not Shown</i> )	1
1-9	0970420682		SKIRT	CENTER	1
1-11	0970420683		SKIRT	CENTER	1
1-12	0970420681		PLATE	CONVEYOR SKIRTBOARD	4
1-18	0970820011		SUB-ASSEMBLY	FRONT SLAT COVER ( <i>See Form 24693</i> )	1
1-20	07389046		CAPSCREW	SCH1/2NCX1-1/2	30
1-21	4589010228	B	LOCKNUT	1/2"NC	30
1-23	07383099		CAPSCREW	5/8"NC X 1-1/4	12
1-24	07383100		CAPSCREW	5/8" NC X 1-1/2"	4
1-30	07014022		WASHER	5/8"	16
1-31	07014007		WASHER	5/8" LOCK	16
1-36	0970420675	A	SLATCHAIN	300 PAVER	2
1-42	0970420532	B	FLAT	CHAIN BUFFER CF351/3	8
1-43	07383070		CAPSCREW	1/2"NC X 1-1/2	16
1-44	07014005		WASHER	1/2" LOCK	16
1-45	07014020		WASHER	1/2"	16



CEDARAPIDS

**Front Slat Cover Sub-Assembly**

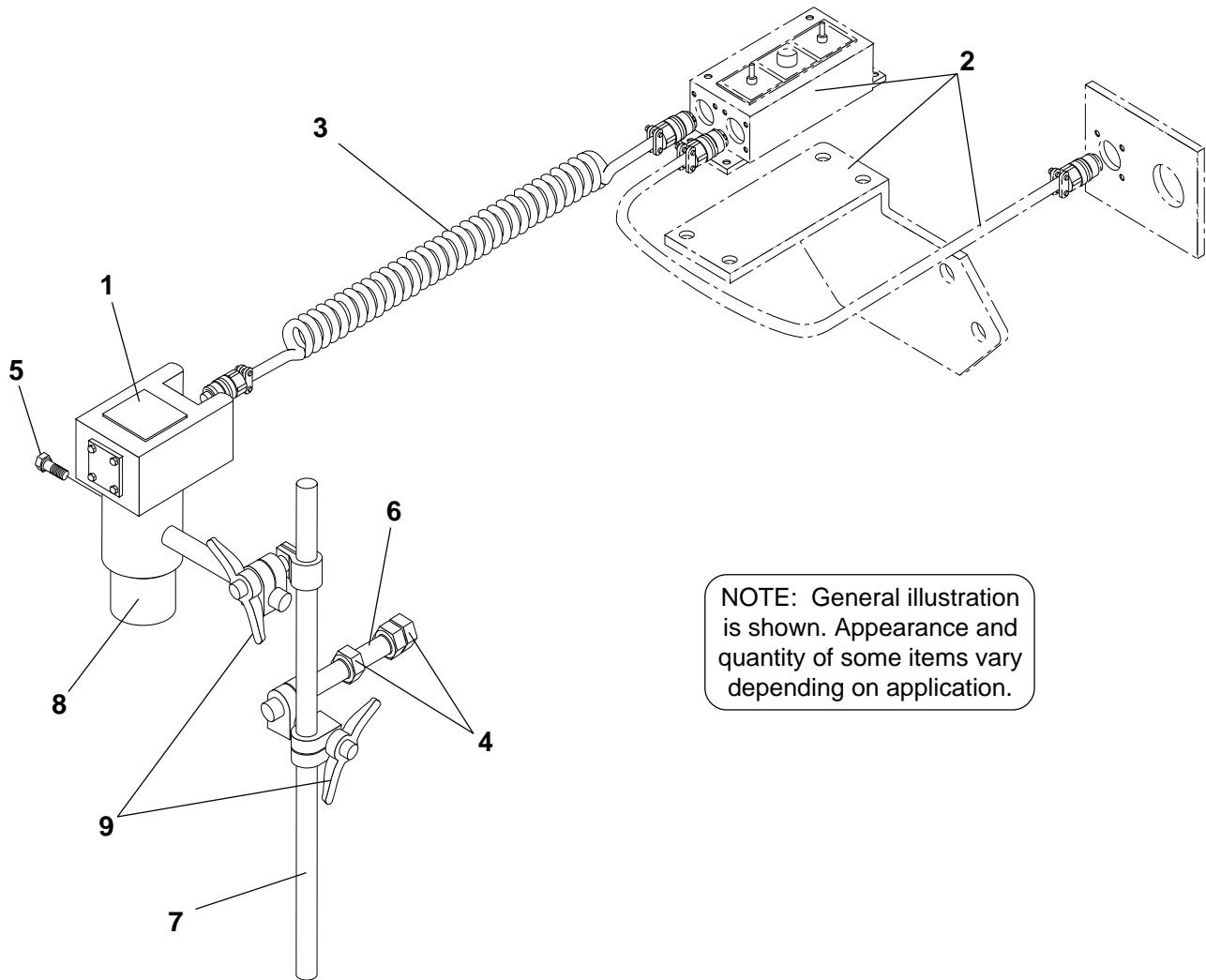
Parts No. 0970820011



Ref #	Part Number	REV	Part Name	Description	Qty
1	0970420705	A	COVER	FRONT SLAT SHAFT	2
2	0970420509	A	HINGE	STATIONARY BASE	2
3	41003020		SHAFT	HINGE 1/2" RD. X 20	2



**Sonic Feed Control Mounting**  
Parts List No. 05210FER

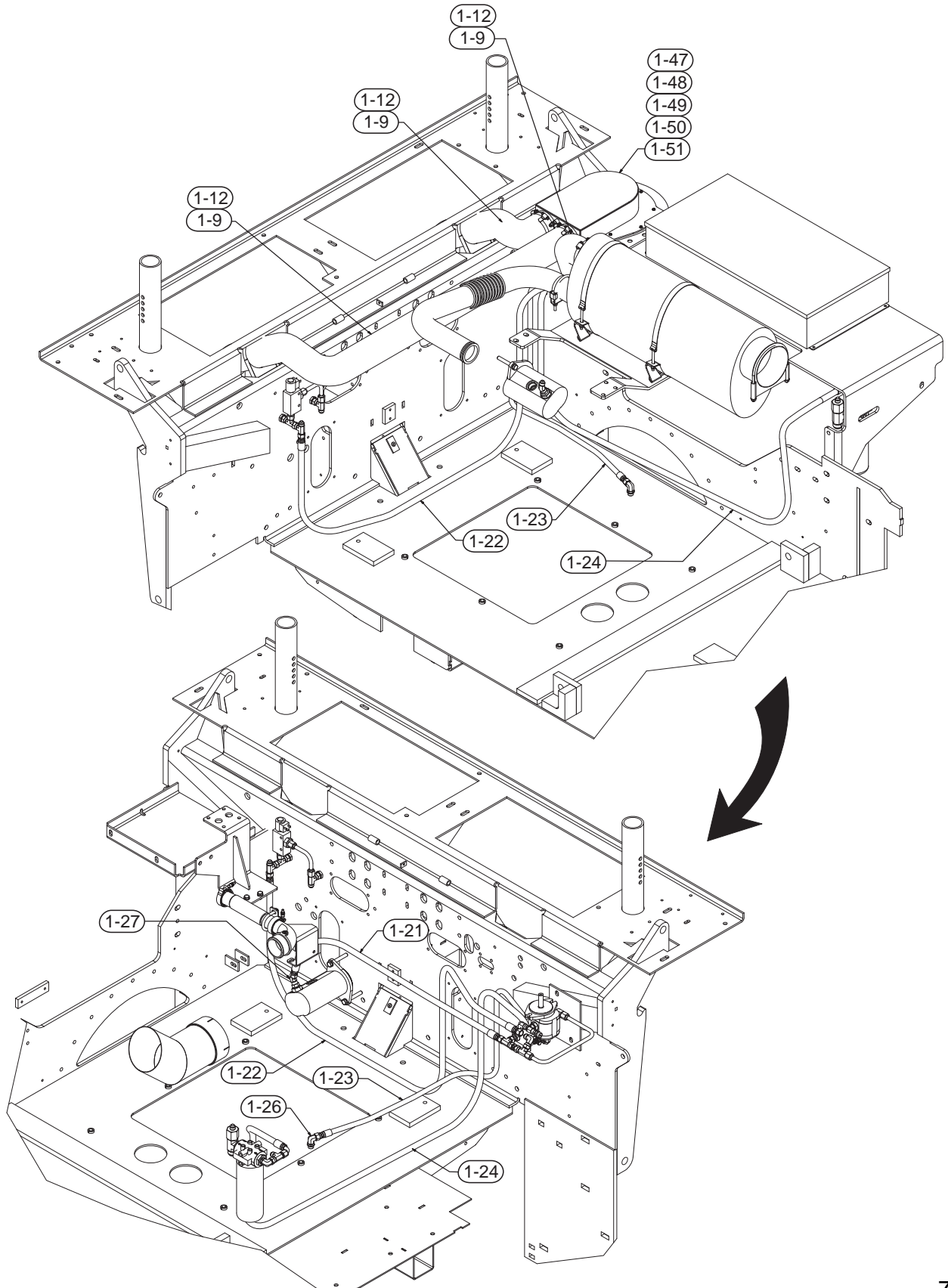


NOTE: General illustration is shown. Appearance and quantity of some items vary depending on application.

Ref. No.	Part Number	Description	Quantity
1	46061-100-36	Sensor, Ultrasonic - 6 Pin	2
-	46061-100-36-01	Element, Replaceable Sensing	As Req
2	Reference Only	See Feed Controller Components - Supplied Separately	2
3	46061-100-23	Cable, Coiled	2
4	7012-027	Hex Nut, 1/2" NC	4
5	7383-004	Capscrew, 1/4" x 3/4"	2
6	9704-452-62	Stud, Gate Mounting	2
7	9704-452-63	Rod, Extension	2
8	9704-452-64	Mount, Sensor	2
9	46185-001-20	Clamp, Adjustable Swivel	4



**Fume Fan Assembly Parts**





## CEDARAPIDS

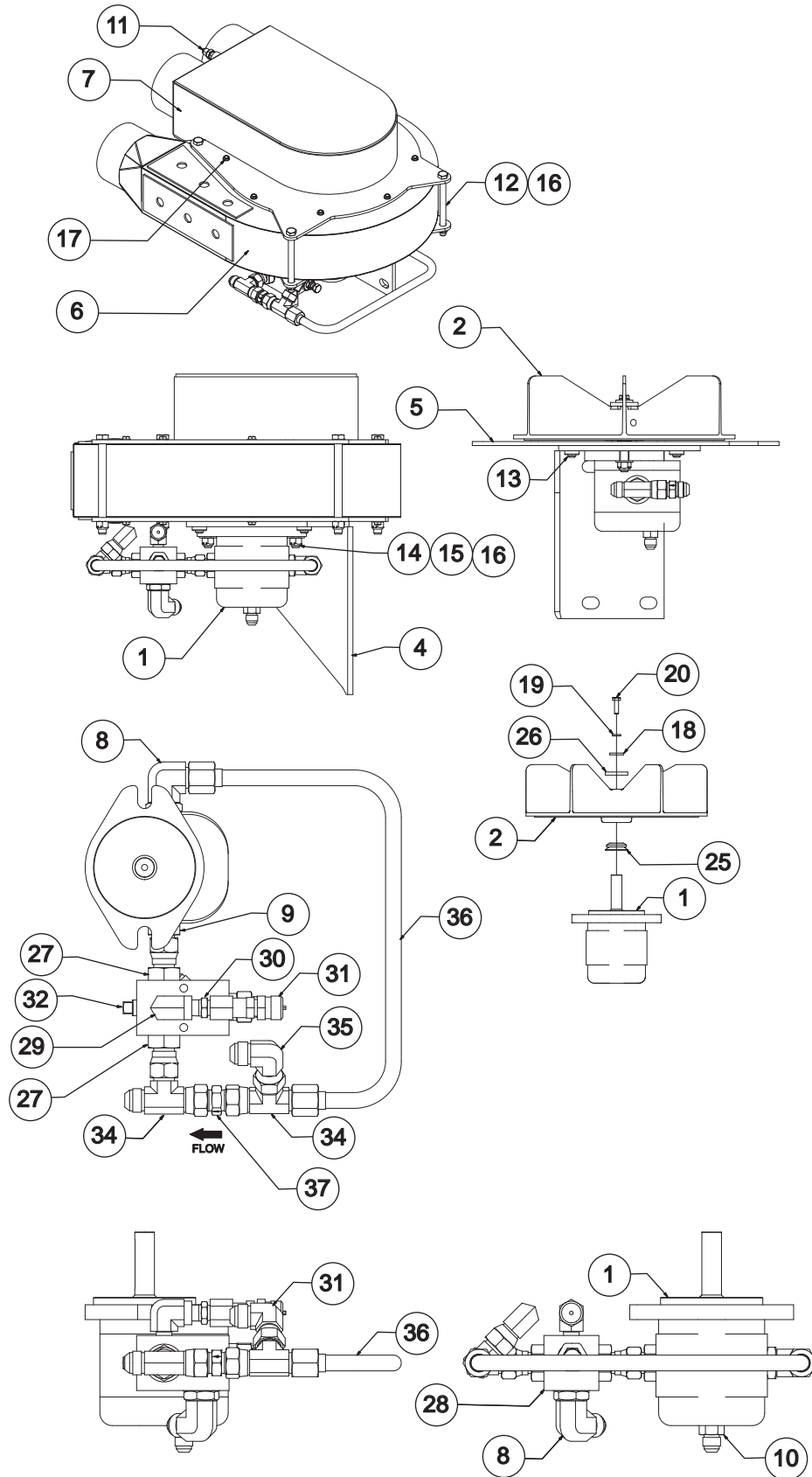
## Fume Fan Assembly Parts

Parts List No. 05234SDA

Ref #	Part Number	REV	Part Name	Description	Qty
-	0970432487	A	ASSEMBLY DRAWING	200 SERIES FAN	REF
109	4533500315	A	DUCTING	4" FLEXIBLE	14'
112	4519100731	A	CLAMP	HOSE 4" BRIDGE	4
121	0766204233	-	HOSE ASSY		1
122	0765208533	A	HOSE ASSY	1/2" ID X 85"	1
123	076510523502	-	HOSE ASSY	3/8" I.D. X 52"	1
124	0765207535	A	HOSE ASSY	1/2" ID X 75"	1
126	07430278		ELBOW	#8SAEM X #8JICM 90D	1
127	07430414		ELBOW	1/2" JIC SWIVEL	1
147	0970830045	A	SUB-ASSEMBLY	FUME FAN (See Form 24677-24678)	1
148	07072102		CARRIAGE BOLT	1/2" NC X 1-1/2"	3
149	07014020		WASHER	1/2"	6
150	07014005		WASHER	1/2" LOCK	3
151	07012027		HEX NUT	1/2" NC	3



**Fume Fan Sub-Assembly Parts**





## CEDARAPIDS

## Fume Fan Sub-Assembly Parts

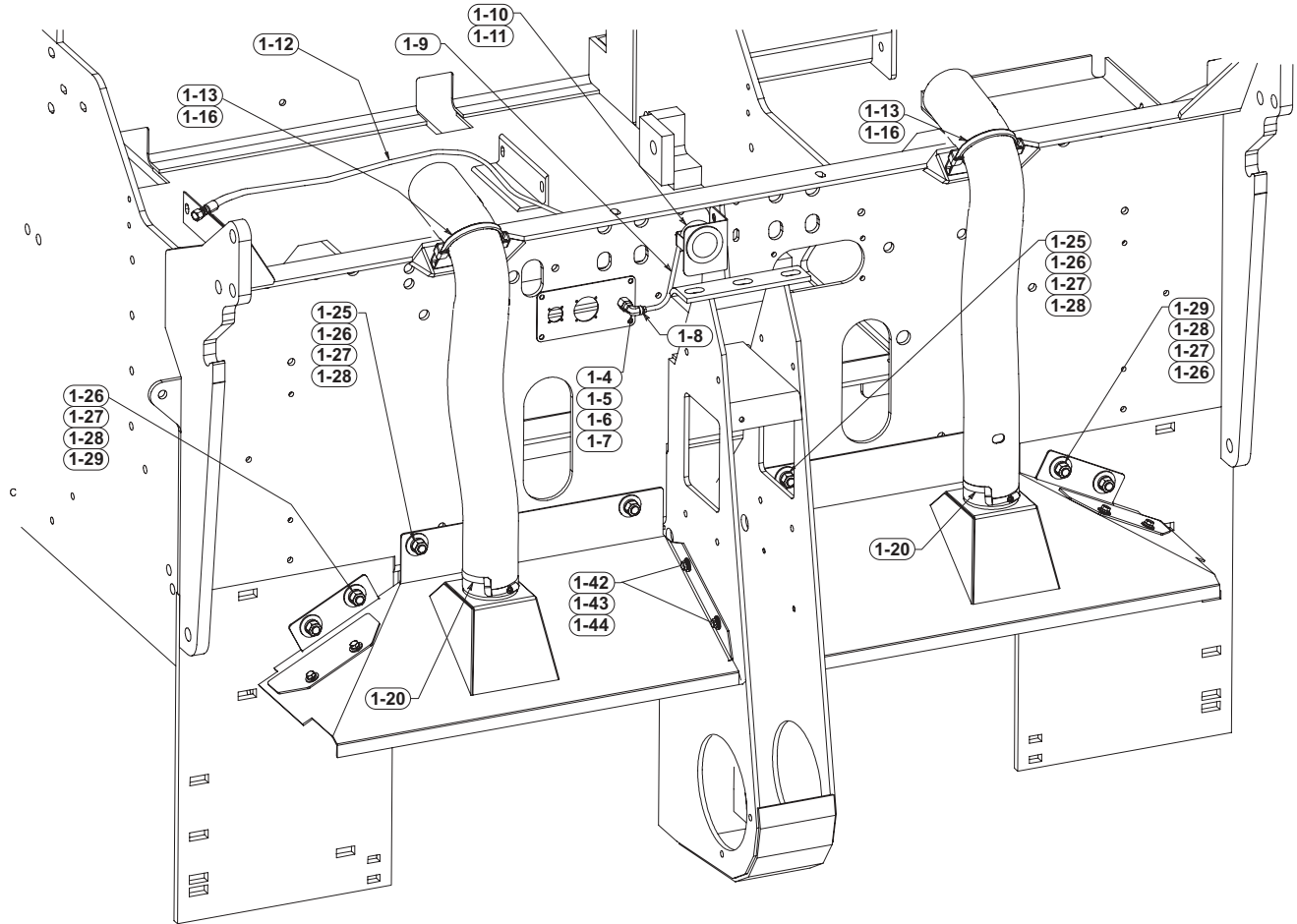
Part No. 0970830045

Ref #	Part Number	REV	Part Name	Description	Qty
1	4508000646	-	HYDRAULIC MOTOR		1
2	0970432092	-	FAN WHEEL	PAVER FUME	1
3	0970431949		KEY	FAN MOTOR <i>(Not Shown)</i>	1
4	0970430605	-	MOUNT	FUME FAN MOTOR	1
5	0970431927	B	PLATE	FAN HOUSING	1
6	0970431923	B	HOUSING	FAN PAVERFUME	1
7	0970430608	A	INLET BOX	FAN INLET	1
8	07430279		ELBOW	#10SAE #8JIC	2
9	07430256		CONNECTOR	#10SAE #8JIC	1
10	07430252		CONNECTOR	#6SAEM X #6JICM	1
11	07430002		CONNECTOR	#4MNPT - #4MJIC	1
12	07383271		CAPSCREW	3/8"NC X 4-1/2"	4
13	07389023		CAPSCREW	SCH 3/8NC X3/4	4
14	07383039		CAPSCREW	3/8"NC X 1-1/4	2
15	07465014		WASHER	3/8"FLAT (HARD)	2
16	4589010230	A	LOCKNUT	3/8" NC	6
17	07472010		SCREW	10-24 X 5/8"	14
18	4589025546	B	WASHER	FLAT .253ID X.812	1
19	07014001		WASHER	1/4" LOCK	1
20	4589030062	-	CAPSCREW	M6 X 20 X 1	1
21	4519150910	-	CAPLUG	#9X <i>(Not Shown)</i>	3
22	4519150907	-	CAPLUG	#6-X <i>(Not Shown)</i>	1
23	4519150904	-	CAPLUG	#4-X <i>(Not Shown)</i>	1
24	4599500130	-	SEALANT	SILICONE <i>(Not Shown)</i>	1
25	4521000118	A	SEAL		1
26	4589025532	-	WASHER	5/8" HI STRENGTH	1
27	07430468	-	CONNECTOR	ORING 1/2JIC	2
28	4525200919	A	VALVE		1
29	4572077002	A	ELBOW	90DEG STR 1/4"XH	1
30	07430004		CONNECTOR	1/4"P X #6 JIC	1
31	4508052718	-	FITTING	TEST 3/8"MALE JIC	1
32	4572077060	-	PLUG	1/4" PIPE	1
34	07430345		TEE	1/2"JIC SWIVEL NUT	2
35	07430405		ELBOW	1/2" SWIVEL	1
36	0970466388		TUBE ASSY	SCREED LIFT DRAIN	1
37	4525201011	A	VALVE	1/2" JIC CHECK	1



### Fume Recovery System

Parts List No 05210HFQ





## Fume Recovery System

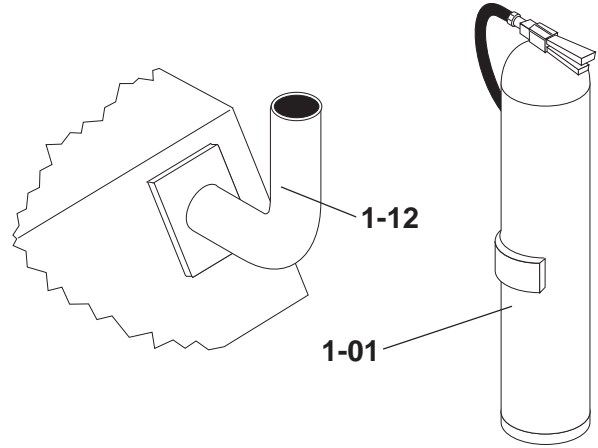
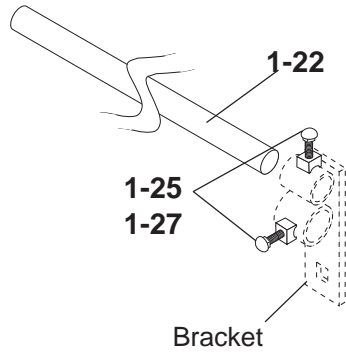
Parts List No 05210HFQ

Ref. No.	Part Number	Description	Quantity
1-4	7430-335	Connector, 3/8" x 1/4" Union	1
1-5	7430-383	Elbow, 90° 3/8" Swivel Nut	1
1-6	45720-769-01	Reducer, 1/4" x 1/8"	1
1-7	45720-770-01	Elbow, 90° 1/8"	1
1-8	45191-510-57	Hose Barb	1
1-9	50030-001-30	Tubing, 3/16" I.D.	As Req
1-10	9704-320-16	Bracket, Vacuum Gauge Fume	1
1-11	45865-002-44	Gauge, 0-10" Water Scale	1
1-12	76500-3435-02	Hose Assembly	1
1-13	45710-002-13	U-Clamp, 4" Flat Band	2
1-14	Reference Only	See Fume Controls & Fan Parts - This Section	-
1-16	7017-025	Hex Nut 3/8" NC Jam	4
1-20	45191-007-31	Clamp, 4" Hose Bridge	2
1-22	9709-300-20	Kit Fume Hood 300 Series	1
1-25	7383-100	Capscrew, 5/8" NC x 1-1/2"	8
1-26	7014-022	Washer, 5/8"	8
1-27	7014-007	Lockwasher, 5/8"	8
1-28	7012-029	Hex Nut, 5/8" NC	8
1-29	7072-197	Carp Bolt 5/8" NC x 1-3/4"	4
1-42	7383-036	Capscrew, 3/8" NC x 3/4"	12
1-43	7014-018	Washer, 3/8"	12
1-44	7014-003	Lockwasher, 3/8"	12

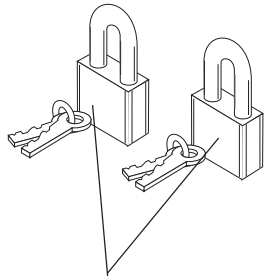
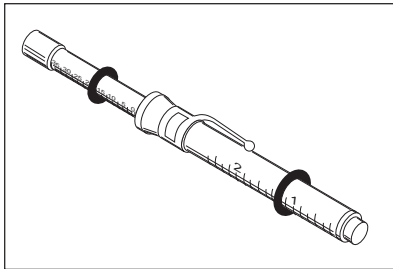


CEDARAPIDS

Tractor Accessories

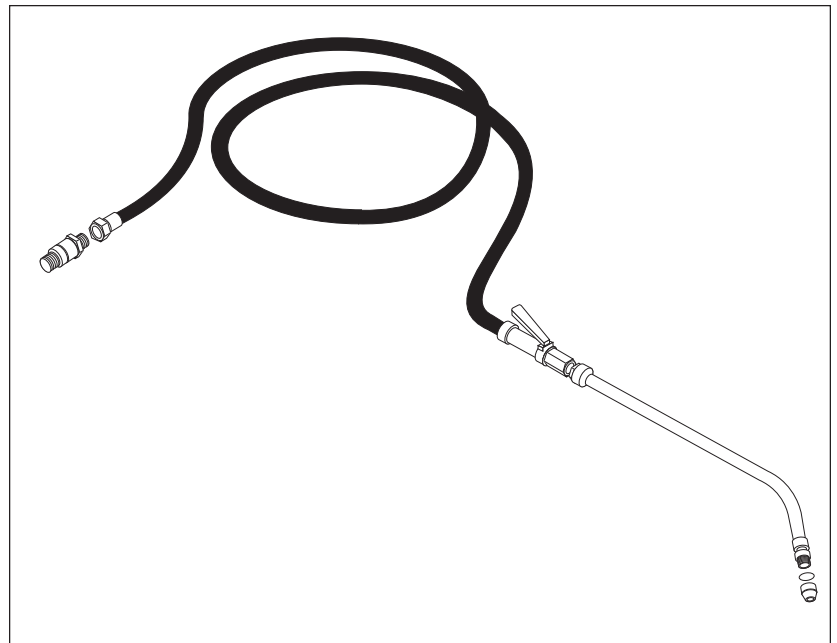


1-35



1-17

1-38



NOTE: Typical illustration is shown. Appearance and quantity of some items vary depending on application.




---

**CEDARAPIDS**


---

**Tractor Accessories**

 Parts List No. 05234LAD

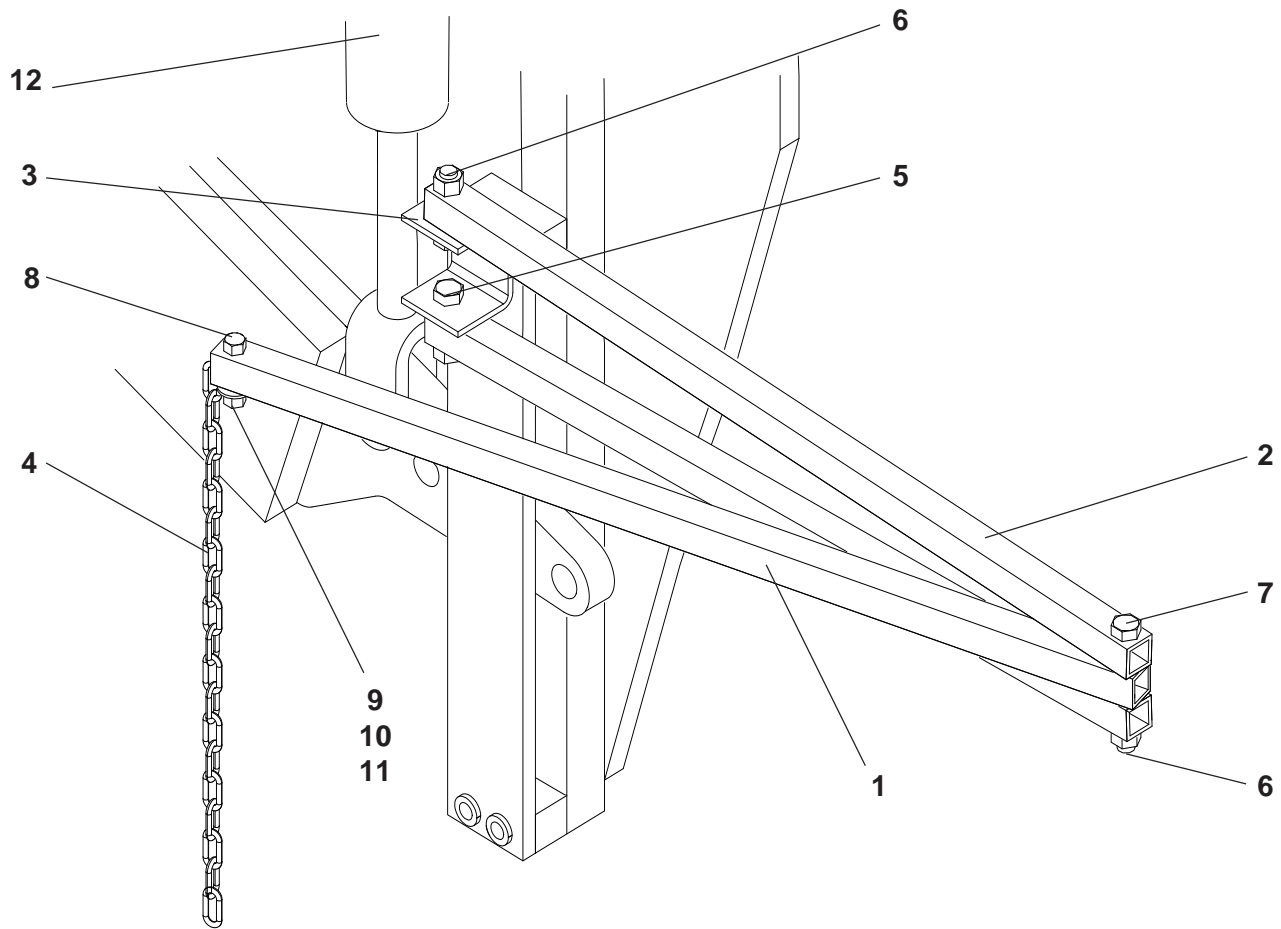
Ref. No.	Part Number	Description	Quantity
1-01	45515-004-03	Extinguisher, Fire	1
1-03	7435-134	Machine Screw, 1/4" NC x 5/8" (Not Shown)	5
1-04	7014-016	Washer, 1/4" (Not Shown)	5
1-05	45890-102-36	Locknut, 1/4" NC (Not Shown)	5
1-12	9704-323-32	Extension, Exhaust	1
1-17	46000-004-04	Padlock, with Keys	7
1-22	40509-041	Pipe, 1-1/2" x 41"	1
1-25	7383-070	Capscrew, 1/2" NC x 1-1/2"	5
1-27	7012-005	Square Nut, 1/2" NC	5
1-28	9704-851-44	Kit, Guide Pointer - (Not Shown) (See Form 20567)	1
1-35	9704-800-43	Kit, Belt Tensioning - Complete	1
	45500-036-08-01	Gauge, Belt Tension	1
	4418-700	Instructions, Belt Tension Gauge (Not Shown)	1
1-38	9704-454-15	Spraydown Hose - Complete	1
	45251-001-76	Valve, Shut-Off	1
	45191-504-29-04	Nipple, 1/8" NPT Brass	1
	45191-504-29-02	Cap, Dust	1
	45251-006-05	Extension, 18" - with Nozzle	1
	50030-001-02	Hose, 3/8"	30'
	45191-004-05	Clamp	2
	40500-002-50-02	Nipple, 1/8" Pipe	1
	<u>Additional Tractor Accessory parts (Not Shown):</u>		
1-42	45080-527-07	Test Hose	1
1-44	45080-527-05	Adapter	1

Note: This parts page applies to several different model and unit configurations.



**CEDARAPIDS**

**Guide Pointer Kit**



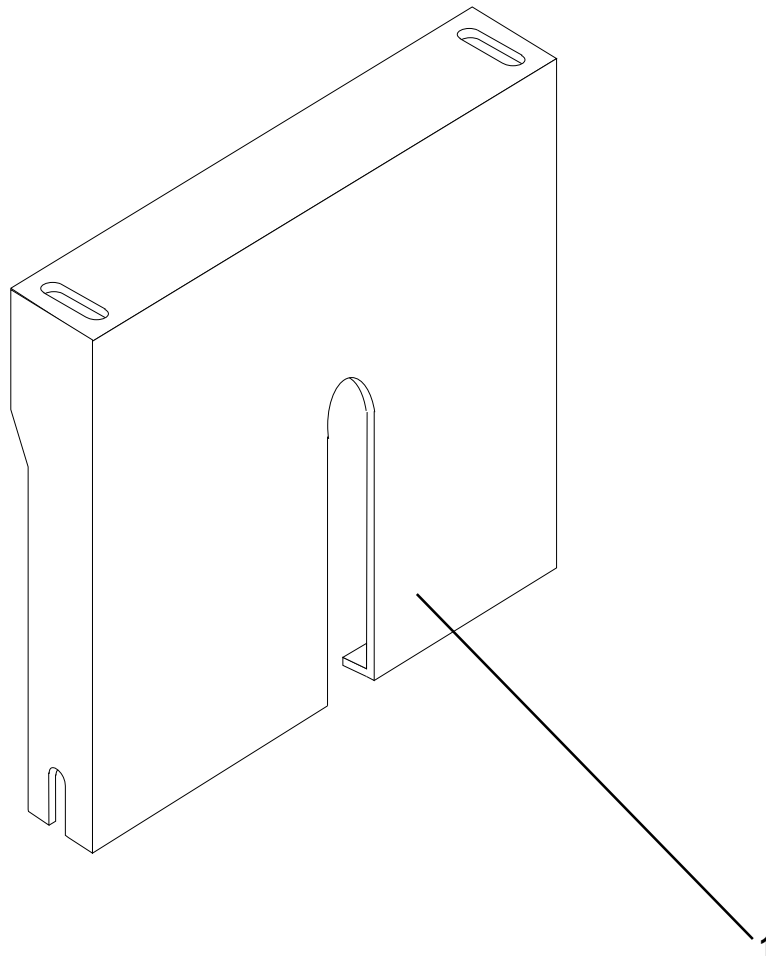
Ref. No.	Part Number	Description	Quantity
	9704-851-44	Kit, Guide Pointer - Complete	
1	9704-851-40	Arm, Inner	1
2	9704-851-41	Arm, Outer	2
3	9704-851-42	Yoke, Guide Pointer	1
4	50005-800-01	Chain, 20 Links	1
5	7383-072	Capscrew, 1/2" NC x 2"	2
6	45890-102-28	Locknut, 1/2" NC	3
7	7383-079	Capscrew, 1/2" NC x 3-3/4"	1
8	7383-041	Capscrew, 3/8" NC x 1-3/4"	1
9	7014-018	Washer, 3/8" Flat	1
10	7014-003	Washer, 3/8" Lock	1
11	7012-025	Hex Nut, 3/8" NC	1
12	Reference	See Screed Pull Arms - Section 5	

*Note: Quantities shown are for one (1) kit only.*





**Track Console Cover**

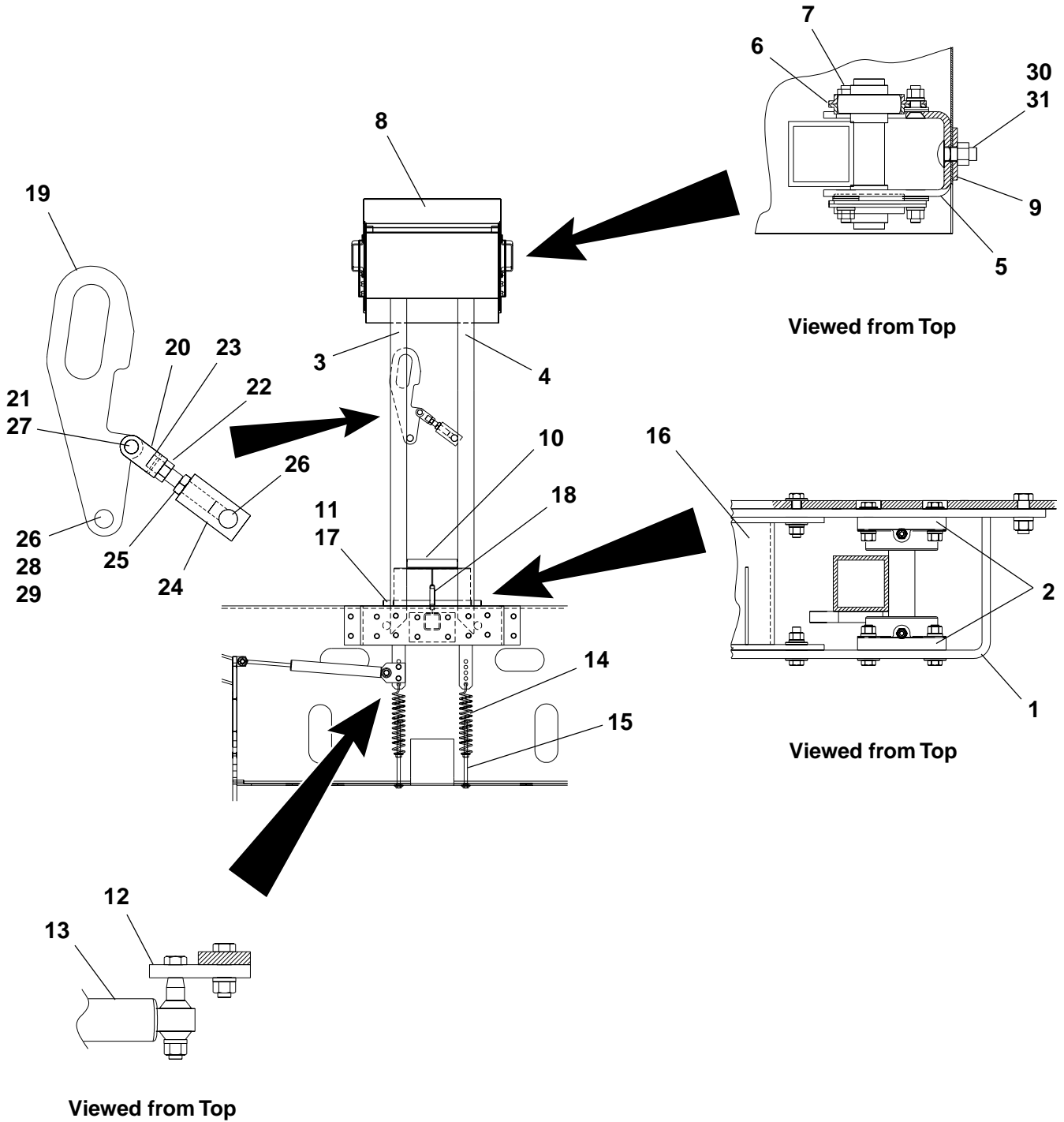


Ref. No.	Part Number	Description	Quantity
1	9704-505-46	Cover, Track Console	1
<i>The following hardware is supplied with Console Cover, not shown on the illustration:</i>			
2	7455-012	Screw, Shoulder 3.8" x 5/8"	2
3	7014-002	Washer, 5/16" Lock	2
4	7012-024	Hex Nut, 5/16" NC	2
5	7383-074	Capscrew, 1/2" x 2-1/2"	2
6	7014-005	Washer, 1/2" Lock	2
7	7012-027	Hex Nut, 1/2" NC	4

***NOTE: Refer to Control Console in Section 8 for additional information.***



**Console - Mechanical Parts**





## Console - Mechanical Parts

Parts List No. 5210MAL

Ref. No.	Part Number	Description	Quantity
1	9704-504-94	Base, Console Support	1
2	FO103FGA	Flange Bearing, 1-3/16" - <i>See Form # 1001, This Section</i>	4
	9709-500-01	Kit, Console Support	1
3	9704-505-14	Support, Console - Right Hand	1
4	9704-505-15	Support, Console - Left Hand	1
5	9704-503-64	Bracket, Upper Bearing	2
6	45129-001-04	Flangette, Bearing	8
7	7041-007	Ball Bearing, 1-3/16" Bore	4
8	Reference	<i>See Control Console, Section 8</i>	-
9	9704-503-79	Flat, Console Bracket Backing	2
10	9704-505-86	Lock, Console	1
11	9704-504-90	Rod, Hinge	1
12	9704-503-02	Flat, Damper Support	1
13	45090-010-45	Cylinder, Horizontal Shock	1
14	9704-503-05	Spring, Console Arm	2
15	7285-033	Adjusting Bolt, 1/2" NC x 10"	2
	7014-020	Washer, 1/2"	2
	7012-027	Hex Nut, 1/2" NC	4
16	9704-505-11	Stop, Console Arm	1
17	7011-019	Cotter Pin, 5/32" x 1"	2
18	45870-001-32	Spring	1
19	9704-505-13	Handle, Console Lock	1
20	9704-505-08	Yoke, Console Clamp	1
21	7198-010	Yoke Pin, 3/4"	1
22	9704-505-01	Bolt, Console Lock	1
23	7253-026	Retaining Ring	1
24	9704-505-09	Block, Console Lock	1
25	7017-052	Hex Nut, 3/4" Jam	1
26	40505-002	Pipe, 1" Standard x 2"	2
27	7011-019	Cotter Pin, 5/32" x 1"	1
28	7014-020	Washer, 1/2"	2
29	7383-068	Capscrew, 1/2" NC x 1"	2
30	7072-101	Carriage Bolt, 1/2" NC x 1-1/4"	6
31	45890-102-28	Locknut, 1/2" NC	6

Note: Additional standard mounting hardware is not identified on this parts listing.  
Consult Cedarapids Product Support for more detailed parts replacement information.



## CEDARAPIDS

### Emblems

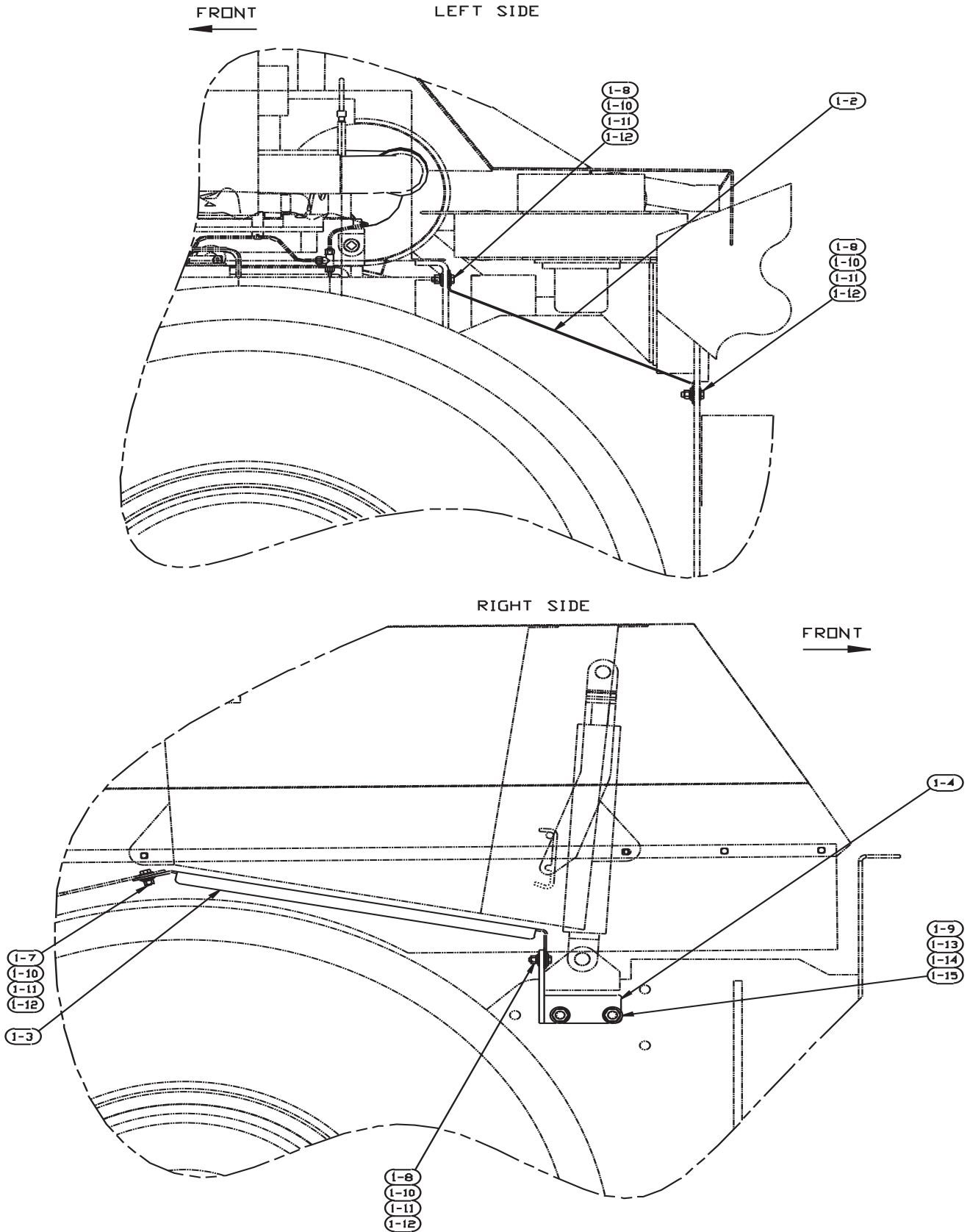
Parts List No. 05234KCD

Ref #	Part Number	REV	Part Name	Description	Qty
-	0449403106	D	ASSEMBLY DRAWING	DECAL TRACTOR	REF
103	04495033		DIAGRAM	HYDRAULIC SCHEMATIC 352L/362L	1
105	4601060006	B	TAPE	1" WHITE	4'
107	0449350001	A	DECAL	LIFT POINT ISO	4
108	0449350003		DECAL	TIE DOWN POINT-ISO	4
114	0449410311	-	DECAL	COOLANT FILLING	1
115	04418628	F	EMBLEM	MOVING	1
116	0449040004		DECAL	AUGER ENTANGLEMENT	1
117	0449150003		DECAL	ASPHALT BURN	1
118	0449150007		DECAL	FALL HAZARD	1
119	0449040002		DECAL	ELECTROCUTION HAZARD	1
120	0449150005		DECA;	HEARING HAZARD	1
121	0449150004		DECAL	HOOD CRUSH HAZARD	2
122	0449350005		DECAL	DO NOT STEP	2
123	04418955	D	EMBLEM	USA FLAG	2
124	0449410491	-	EMBLEM	PAVER HOOD STRIPE	1
125	0449410492	-	EMBLEM	PAVER HOOD STRIPE	1
126	04418673	E	EMBLEM	LIFTING POINTS	1
127	04418609	F	EMBLEM	TIE DOWNS	1
128	0449150016		DECAL	LOCKOUT-ENTANGLEMENT	1
131	04418197	A	EMBLEM	SMV	1
132	07435135		MACH SCREW	1/4" NC X 3/4"	2
133	07014001		WASHER	1/4" LOCK	2
134	07012023		HEX NUT	1/4" NC	2
140	0449040001		DECAL	BATTERY EXPLOSION	1
141	04418803	D	EMBLEM	OIL RESERVOIR	1
142	0449150010		DECAL	FLUID INJECTION HAZARD	1
143	0441813511	G	EMBLEM	DIESEL	1
144	04418836	D	EMBLEM	RESERVOIR LEVEL	1
145	0449410301	-	DECAL	TOWING INSTRUCTIONS	1
146	0449150011		DECAL	EMERGENCY BRAKE	1
147	04418950	B	EMBLEM	ENGINE COOLANT	1
202	04418866	J	EMBLEM	PATENT	1
203	04418925	E	EMBLEM	PAVER LUBE PLATE	1
204	04493033		DECAL	SERIAL PLATE	1
205	07073013		SCREW	#6 X 1/4" DRIVE	4
206	04418934	B	EMBLEM	PAVER VACUUM INDICATOR	1
209	04418720	C	EMBLEM	ENGINE OIL DRAIN	1
215	09700079	F	EMBLEM	GATE OPENING	1
216	04418617	A	EMBLEM	PULL POINT INDICATOR 12"	2
217	0449040004		DECAL	AUGER ENTANGLEMENT	2
218	0449150003		DECAL	ASPHALT BURN	2
224	0449040004		DECAL	AUGER ENTANGLEMENT	2
225	0449150003		DECAL	ASPHALT BURN	2
226	0449150006		DECAL	HOPPER CRUSH	2
227	4601060008	-	REFLECTOR	AMBER	2
228	0449410485	-	EMBLEM	TEREX CEDARAPIDS	1
229	0449410486	-	EMBLEM	TEREX CEDARAPIDS	1
235	0449410702		DECAL	CR362L	2
237	0449040003		DECAL	ACCUMULATOR EXPLOSION	2

NOTE: NO ILLUSTRATION AVAILABLE



### Fenders/Guards Assembly





## Fenders/Guards Assembly

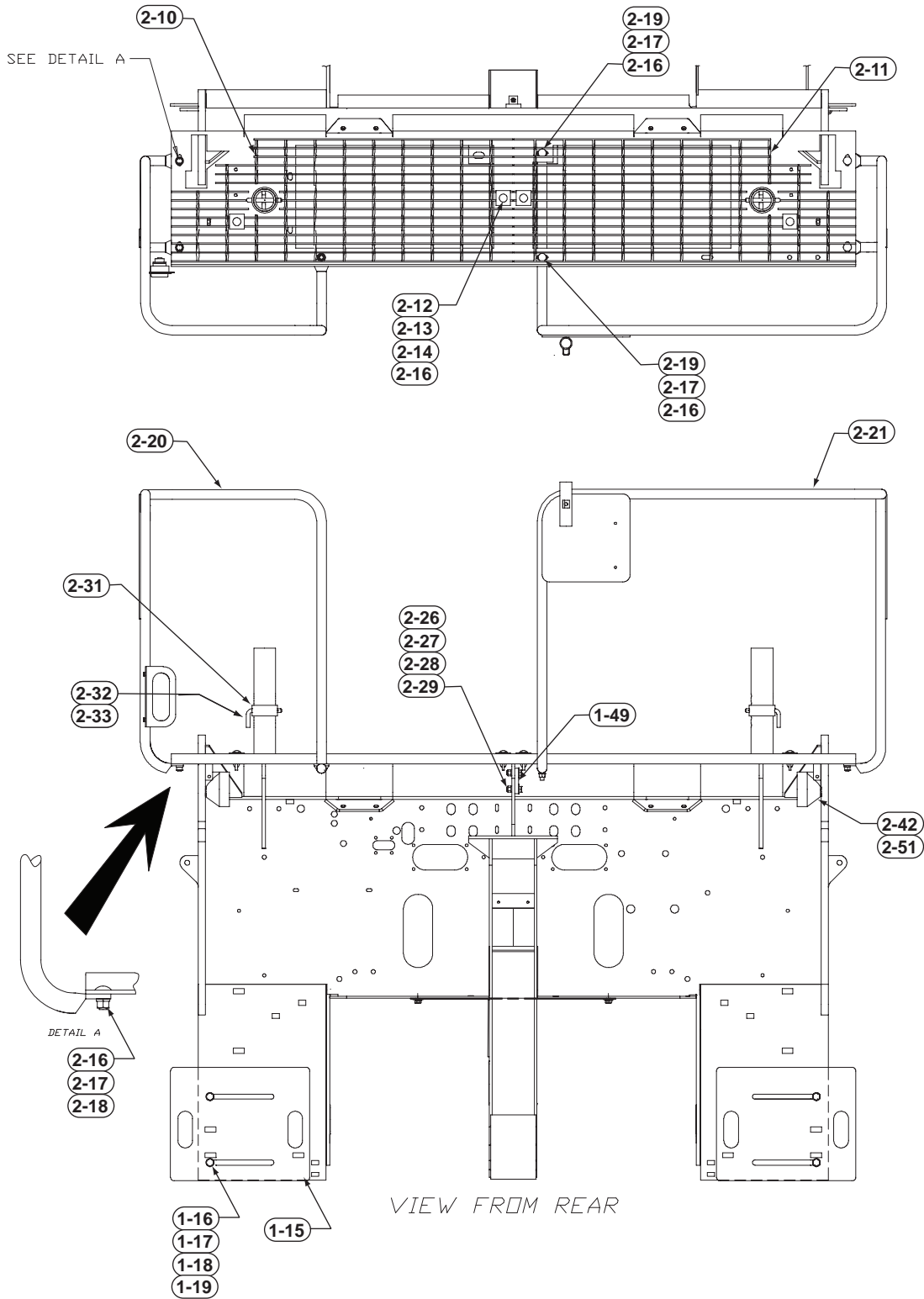
Parts List No. 05234BGA

Ref. No.	Part Number	Description	Quantity
1-2	9704-324-79	Guard, Plate, Left Hand	1
1-3	9704-306-41	Guard, Plate, Right Hand	1
1-4	9704-306-46	Support, Guard Plate	1
1-7	7383-038	Capscrew, 3/8" NC x 1"	2
1-8	7383-039	Capscrew, 3/8" NC x 1-1/4"	7
1-9	7383-102	Capscrew, 5/8" NC x 2"	2
1-10	7014-018	Washer, 3/8"	9
1-11	7014-003	Lockwasher, 3/8"	9
1-12	7012-025	Hex Nut, 3/8" NC	9
1-13	7014-007	Lockwasher, 5/8"	2
1-14	7012-029	Hex Nut, 5/8" NC	2
1-15	7014-022	Washer, 5/8"	4

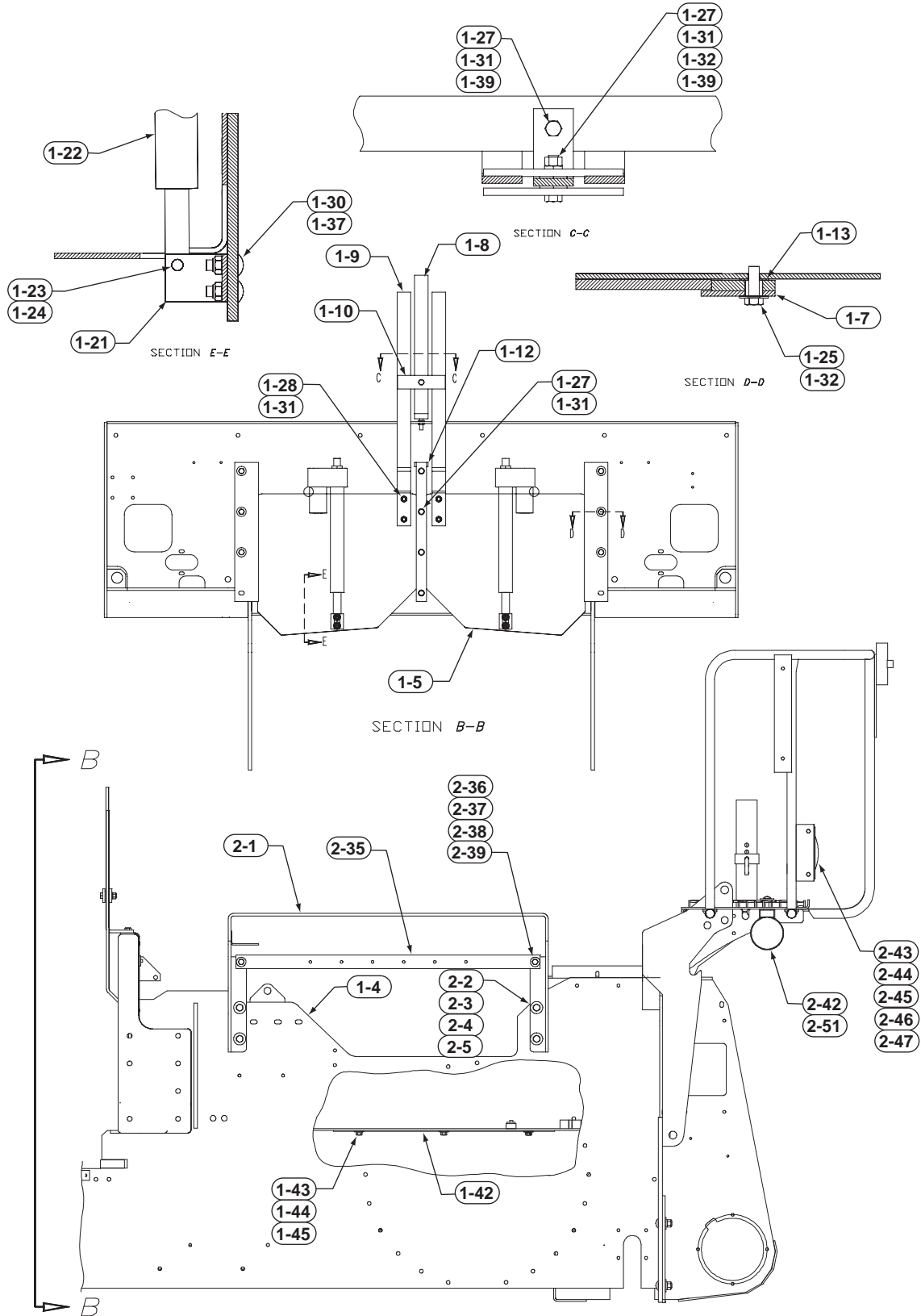
Note: Items 1-2, 1-3 and 1-4 are also available as a Kit using Part No: 9709-050-33.



**Main Frame Parts**



**Main Frame Parts**





## CEDARAPIDS

### Main Frame Parts

Parts List No. 05234AAA

Ref #	Part Number	REV	Part Name	Description	Qty
-	0970401658	C	ASSEMBLY DRAWING	MAIN FRAME	REF
104	0970401656		FRAME	KIT (See Form 24xxx)	1
105	0970400952	B	PLATE	CONVEYOR GATE	2
107	0970400785	-	CLAMP	OUTER GATE	2
108	0970430696	A	FLAT	DECAL MTG. BRACKET	1
109	0970430695	-	FLAT	HOPPER GATE INDICATOR	2
110	0970400815		FLAT	GATE INDICATOR	2
111	0970900001	-	KIT	GATE CLAMP	1
112	0970400119	-	CLAMP	GATE CENTER	1
113	09701574	-	SHIM	CLAMP	2
115	0970401364		PLATE	MATERIAL RETAINING	2
116	07072149		CARR BOLT	5/8"NC X 2"	4
117	07014022		WASHER	5/8"	4
118	07014007		WASHER	5/8" LOCK	4
119	07012029		HEXNUT	5/8" NC	4
121	0970400655	B	CLEVIS	GATE	2
122	4550075824	-	ACTUATOR	ELECTRIC JACK	2
123	07198008		YOKE PIN	1/2" DIA	4
124	07011017		COTTER PIN	1/8" X 1"	4
125	07383070		CAPSCREW	1/2"NC X 1-1/2	6
127	07383072		CAPSCREW	1/2"NC X 2"	6
128	07383068		CAPSCREW	1/2" NC X 1"	4
130	07072102		CARR BOLT	1/2"NC X 1-1/2"	4
131	07014005		WASHER	1/2" LOCK	10
132	07014020		WASHER	1/2"	8
137	4589010228	B	LOCKNUT	1/2"NC	4
139	07012027		HEXNUT	1/2" NC	2
142	0970401657		DOOR	BASKET FLOOR	1
143	07383068		CAPSCREW	1/2" NC X 1"	6
144	07014005		WASHER	1/2" LOCK	6
145	07014020		WASHER	1/2"	6
149	0970490503		PLATE	BEARING	1
201	0970432473	B	MOUNT	ELECTRICAL JCT BOX	1
202	07383102		CAPSCREW	5/8" NC X 2"	4
203	07014022		WASHER	5/8"	8
204	07014007		WASHER	5/8" LOCK	4
205	07012029		HEXNUT	5/8" NC	4
209	0970900010		KIT	WALKWAY GRATING	1
210	0970445351		GRATE	TRACTOR WALKWAY LH	1
211	0970445352		GRATE	TRACTOR WALKWAY RH	1
212	0970401174		RETAINER	GRATE	4
213	07072103		CARR BOLT	1/2"NC X 2"	4
214	07056013		WING NUT	1/2" NC	4
216	07014005		WASHER	1/2" LOCK	11
217	07012027		HEXNUT	1/2" NC	7
218	07072101		CARR BOLT	1/2" X 1-1/4"	5
219	07072104		CARR BOLT	1/2"NC X 2-1/2"	2
220	0970445167	C	RAILING	LH	1

CONTINUED




---

**CEDARAPIDS**


---

**Main Frame Parts**Parts List No. 05234AAA

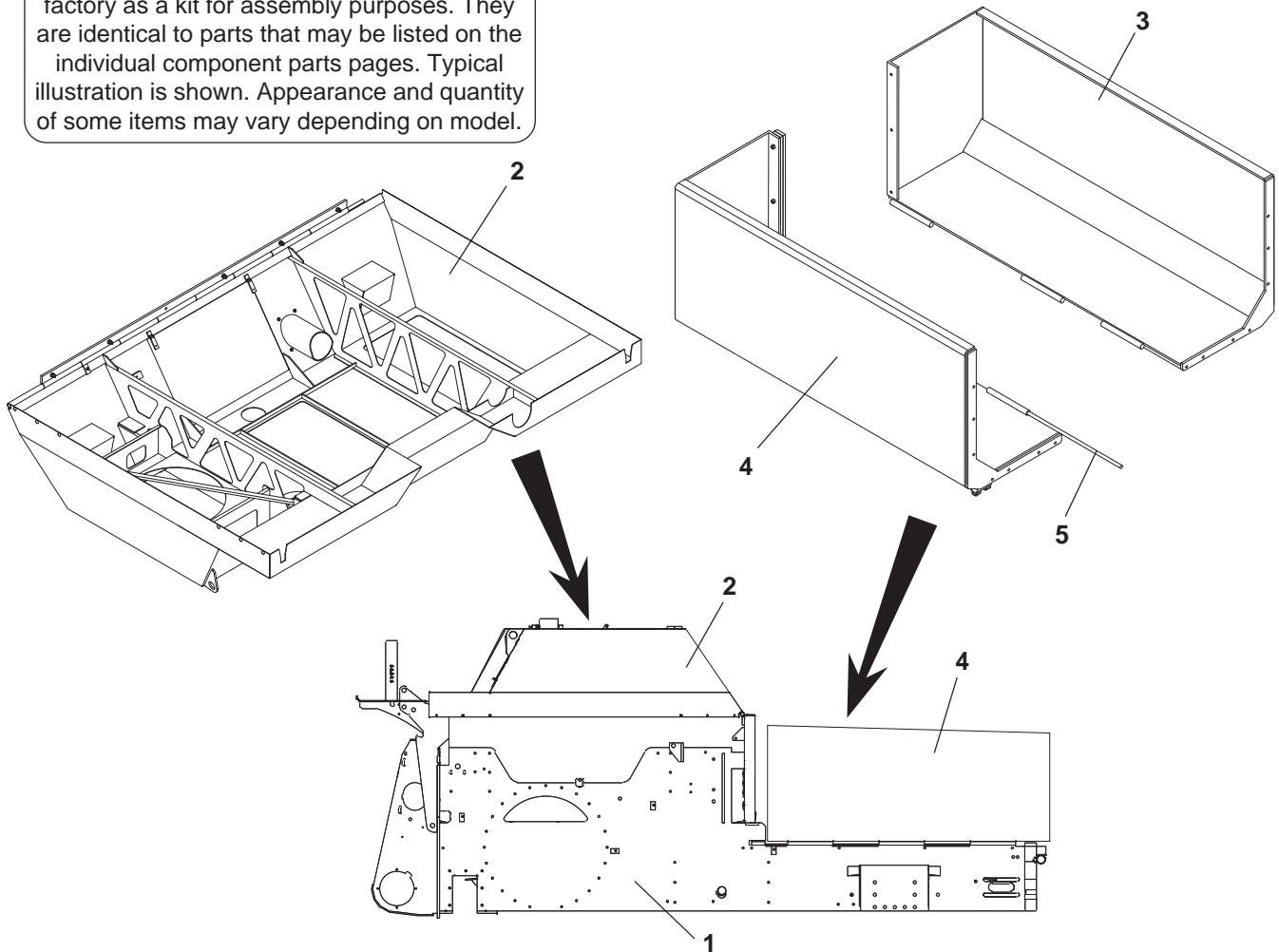
Ref #	Part Number	REV	Part Name	Description	Qty
221	0970445355	A	WELDMENT	RAILING RH	1
226	07014005		WASHER	1/2" LOCK	4
227	07012027		HEXNUT	1/2" NC	4
228	07383071		CAPSCREW	1/2"NC X 1-3/4"	4
229	07014020		WASHER	1/2"	4
231	0970445140	-	COLLAR	SEAT HEIGHT	2
232	0970445141	A	PIN	SEAT	2
233	4589080019	-	HAIR PIN	1-7/8" LONG	2
235	0970432504	B	MOUNT	ELECTRIC CLAMP BASE	1
236	07383070		CAPSCREW	1/2"NC X 1-1/2	2
237	07014020		WASHER	1/2"	2
238	07014005		WASHER	1/2" LOCK	2
239	07012027		HEXNUT	1/2" NC	2
242	4627025212	-	LAMP	FLOOD	2
243	4627025322		LIGHT	TAIL W/CONNECTOR	1
244	4627025006		BRACKET	MOUNTING-TAILLIGHT	1
245	07383020		CAPSCREW	5/16"NC X 3/4"	2
246	07014002		WASHER	5/16" LOCK	2
247	07012024		HEXNUT	5/16" NC	2
251	4632000106	A	STRAP		4



**CEDARAPIDS**

**Frame, Hood & Hopper Kit**

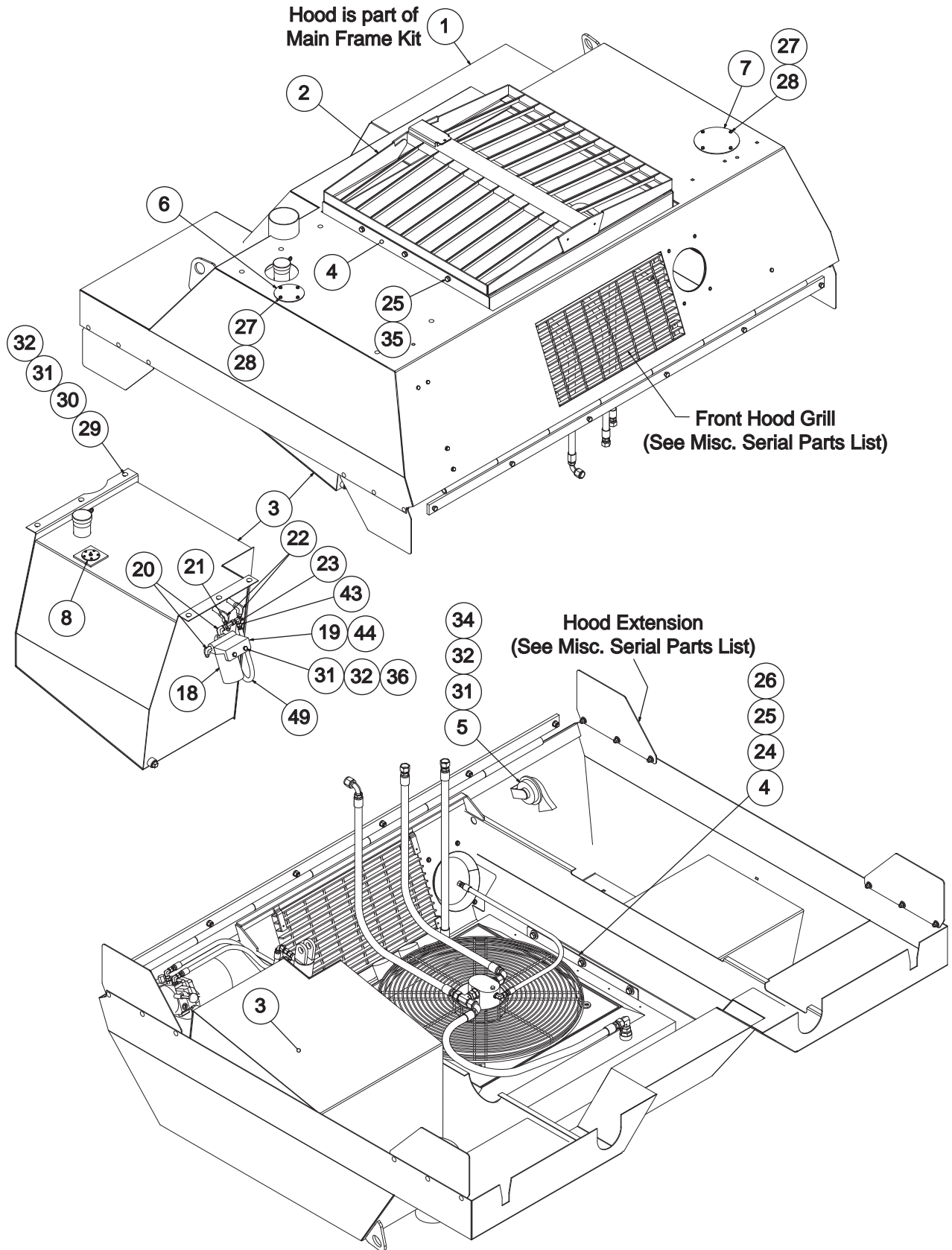
NOTE: The items shown are ordered by the factory as a kit for assembly purposes. They are identical to parts that may be listed on the individual component parts pages. Typical illustration is shown. Appearance and quantity of some items may vary depending on model.



Ref. No.	Part Number	Description	Quantity
-	09704016-6	Main Frame Kit - 300L Series Pavers	-
1	0970401651	Frame, Main - 300L Series Pavers	1
2	0970432467	Hood, 300L Series Pavers	1
3	0970401611	Hopper Wing, Left Hand - 300L Series Pavers	1
4	0970401612	Hopper Wing, Right Hand - 300L Series Pavers	1
5	0970401620	Hinge Rod, 3/4" Hopper Wing	2
<b>NOTE: PARTS LISTED BELOW ARE NOT ILLUSTRATED</b>			
6	0970401657	Door, Basket	1
7	07383068	Capscrew, 1/2" NC x 1"	6
8	07014020	Washer, 1/2" Flat	6
9	07014005	Washer, 1/2" Lock	6
10	0970420708	Liner, Conveyor Deck	20
11	0970420709	Liner, Front Slat	2
12	0970420678	Liner, Curved	2
13	07389046	Capscrew, 1/2" NC x 1-1/2"	50
14	4589010228	Locknut, 1/2" NC Gripco	50



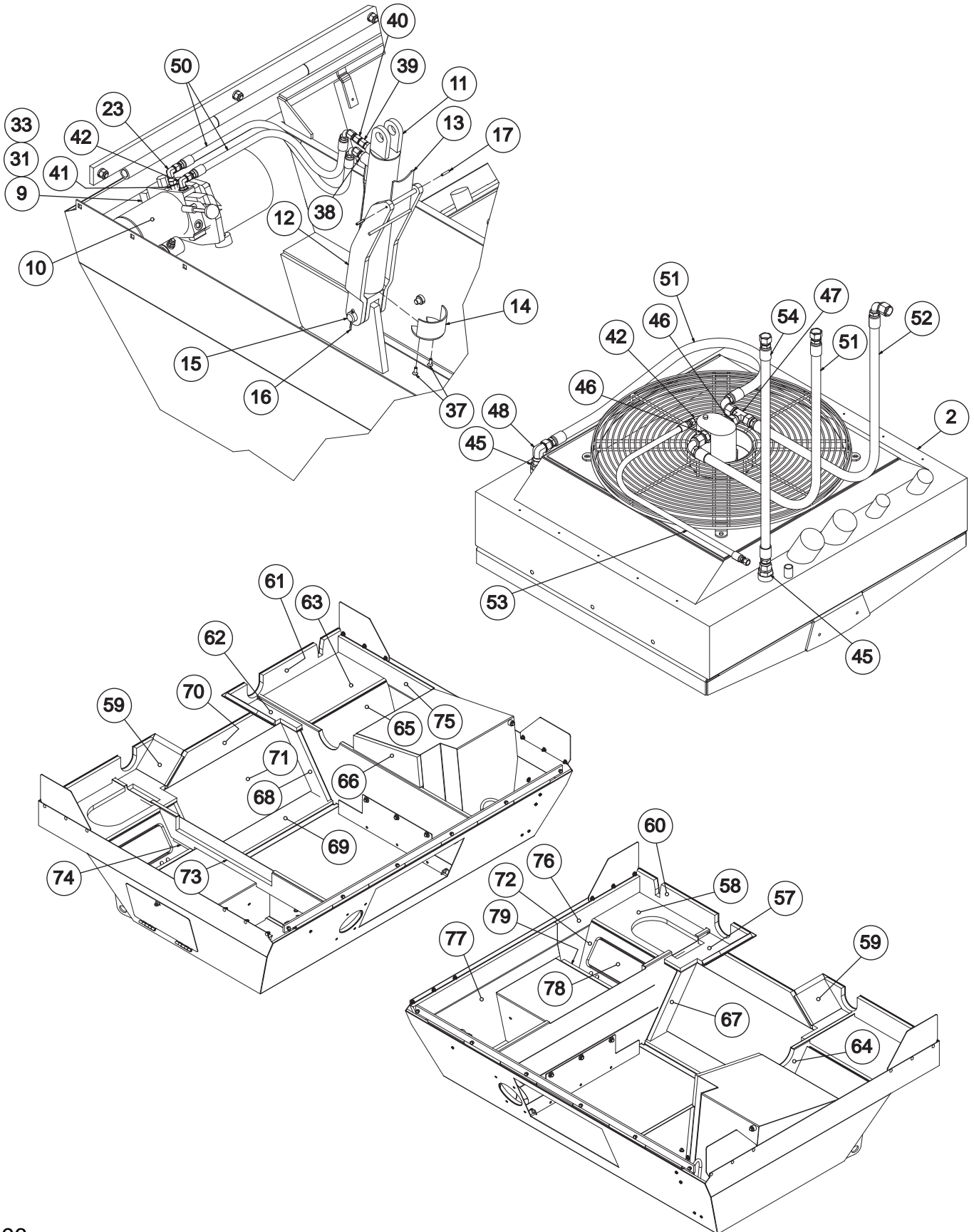
**Hood Sub-Assembly**





CEDARAPIDS

Hood Sub-Assembly







## CEDARAPIDS

### Hood Sub-Assembly

Part No. 0970830039

Ref #	Part Number	REV	Part Name	Description	Qty
1	0970432467		HOOD	(See Form )	REF
2	4590500917	A	COOLER	ENGINE	1
3	0970432471		FUEL TANK	(See Form 24705)	1
4	0970432474	A	PLATE	RADIATOR MOUNT	2
5	4601000112	B	HORN	12VAC	1
6	0970432482		COVER	FUEL SENDER ACCESS	1
7	0970432483		COVER	CITRUSTANK	1
8	4521551201	M	SENDER	FUEL	1
9	0970432331	A	BLOCK	SPACER	1
10	4508000181	A	HYDRAULIC UNIT	POWER PAK.	1
11	4509000785	-	HYDRAULIC CYLINDER	2.5" BORE X 12"	1
12	0970431797	B	FRAME	HOOD LATCH	1
13	0970431237	G	RELEASE	HOOD LATCH	1
14	0970431643	A	TRIP	CYLINDER HOOD LATCH	1
15	0970431249	C	PIN	CYLINDER	1
16	07011066		COTTER PIN	5/32" X 2"	2
17	07238087		ROLL PIN	3/16" X 1"	2
18	451750014301	A	ELEMENT	FUEL FILTER	1
19	451750014302	-	FILTER	HEAD	1
20	07430020		ELBOW	3/8" NPT - 3/8" JIC	2
21	07430344		TEE	3/8" JIC SWIVEL NUT	1
22	07430090		ELBOW	3/8" FPT X 3/8" JIC	2
23	07430383		ELBOW	3/8" SWIVEL NUT	2
24	07014020		WASHER	1/2"	6
25	07014005		WASHER	1/2" LOCK	12
26	07383070		CAPSCREW	1/2" NC X 1-1/2	6
27	07014001		WASHER	1/4" LOCK	8
28	07472016		SCREW TAP		8
29	07072052		CARR BOLT	3/8" NC X 1"	6
30	07014018		WASHER	3/8"	6
31	07014003		WASHER	3/8" LOCK	11
32	07012025		HEX NUT	3/8" NC	9
33	07383041		CAPSCREW	3/8" NC X 1-3/4"	2
34	07383038		CAPSCREW	3/8" NC X 1"	1
35	07383069		CAPSCREW	1/2" NC X 1-1/4"	6
36	07383039		CAPSCREW	3/8" NC X 1-1/4	2
37	07389004		CAPSCREW	SCH 1/4 NC X 3/4	2
38	07430252		CONNECTOR	#6 SAEM X #6 JIC M	2
39	4525901203	A	FITTING	ORIFICE 5/64" DIA	1
40	4525901202	-	RESTRICTER	3/64" ORIFICE	1
41	07430275		ELBOW	#6 SAEM X #6 JIC M 90D	2
42	07430275		ELBOW	#6 SAEM X #6 JIC M 90D	1
43	07431008		HOSE END	3/8" HOSE SWIVEL	2
44	07024003		PIPE PLUG	3/8"	1
45	07430264		CONNECTOR	1-5/16" SAE 3/4"	2
46	07430263		CONNECTOR	1-1/16" SE 3/4" J	2
47	07430358		TEE	3/4" JIC SWIVEL NUT	1
48	07430387		ELBOW	3/4" SWIVEL NUT	1
49	5003000202	D	HOSE	3/8" ID	1.3'
50	0765102735	A	HOSE ASSY	3/8" ID X 27"	2

CONTINUED


**CEDARAPIDS**
**Hood Sub-Assembly**

 Part No. 0970830039

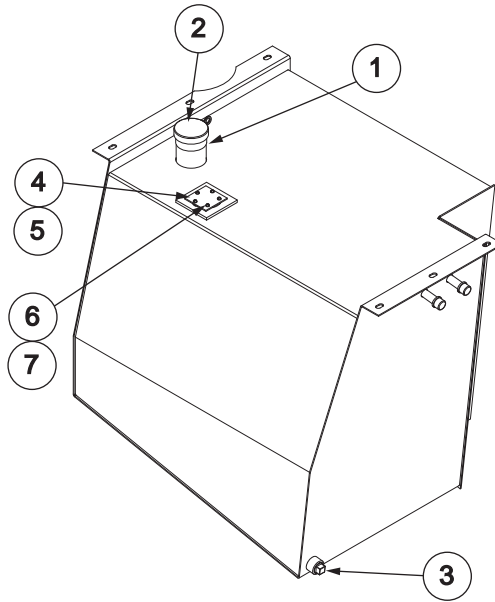
Ref #	Part Number	REV	Part Name	Description	Qty
51	0765304435		HOSE ASSY		2
52	0765303635	-	HOSE ASSY	3/4" ID X 36"	1
53	0765104333	-	HOSE ASSY	3/8" ID X 43"	1
54	0765303633	-	HOSE ASSY	3/4" JIC X 36"	1
56	0970432485		ACOUSTIC MATERIAL KIT		1
57	097043248501		ACOUSTIC MATERIAL		1
58	097043248502		ACOUSTIC MATERIAL		1
59	097043248503		ACOUSTIC MATERIAL		2
60	097043248504		ACOUSTIC MATERIAL		1
61	097043248505		ACOUSTIC MATERIAL		1
62	097043248506		ACOUSTIC MATERIAL		1
63	097043248507		ACOUSTIC MATERIAL		1
64	097043248508		ACOUSTIC MATERIAL		1
65	097043248509		ACOUSTIC MATERIAL		1
66	0970432485010		ACOUSTIC MATERIAL		1
67	0970432485011		ACOUSTIC MATERIAL		1
68	0970432485012		ACOUSTIC MATERIAL		1
69	0970432485013		ACOUSTIC MATERIAL		1
70	0970432485014		ACOUSTIC MATERIAL		1
71	0970432485015		ACOUSTIC MATERIAL		1
72	0970432485016		ACOUSTIC MATERIAL		1
73	0970432485017		ACOUSTIC MATERIAL		1
74	0970432485018		ACOUSTIC MATERIAL		1
75	0970432485019		ACOUSTIC MATERIAL		1
76	0970432485020		ACOUSTIC MATERIAL		1
77	0970432485021		ACOUSTIC MATERIAL		1
78	0970432485022		ACOUSTIC MATERIAL		1
79	0970432485023		ACOUSTIC MATERIAL		1



**CEDARAPIDS**

**Fuel Tank**

Part No. 0970432471



Ref #	Part Number	REV	Part Name	Description	Qty
1	4521550402		FILLER FLANGE		1
2	4521550105		CAP	FILLER	1
3	07027003		DRAIN PLUG	3/4"	1
4	4591500902		GASKET		1
5	0520480023		COVER		1
6	07439002		WASHER	#8 LOCK	5
7	07435073		MACHINE SCREW	#8 NC X 3/8"	5

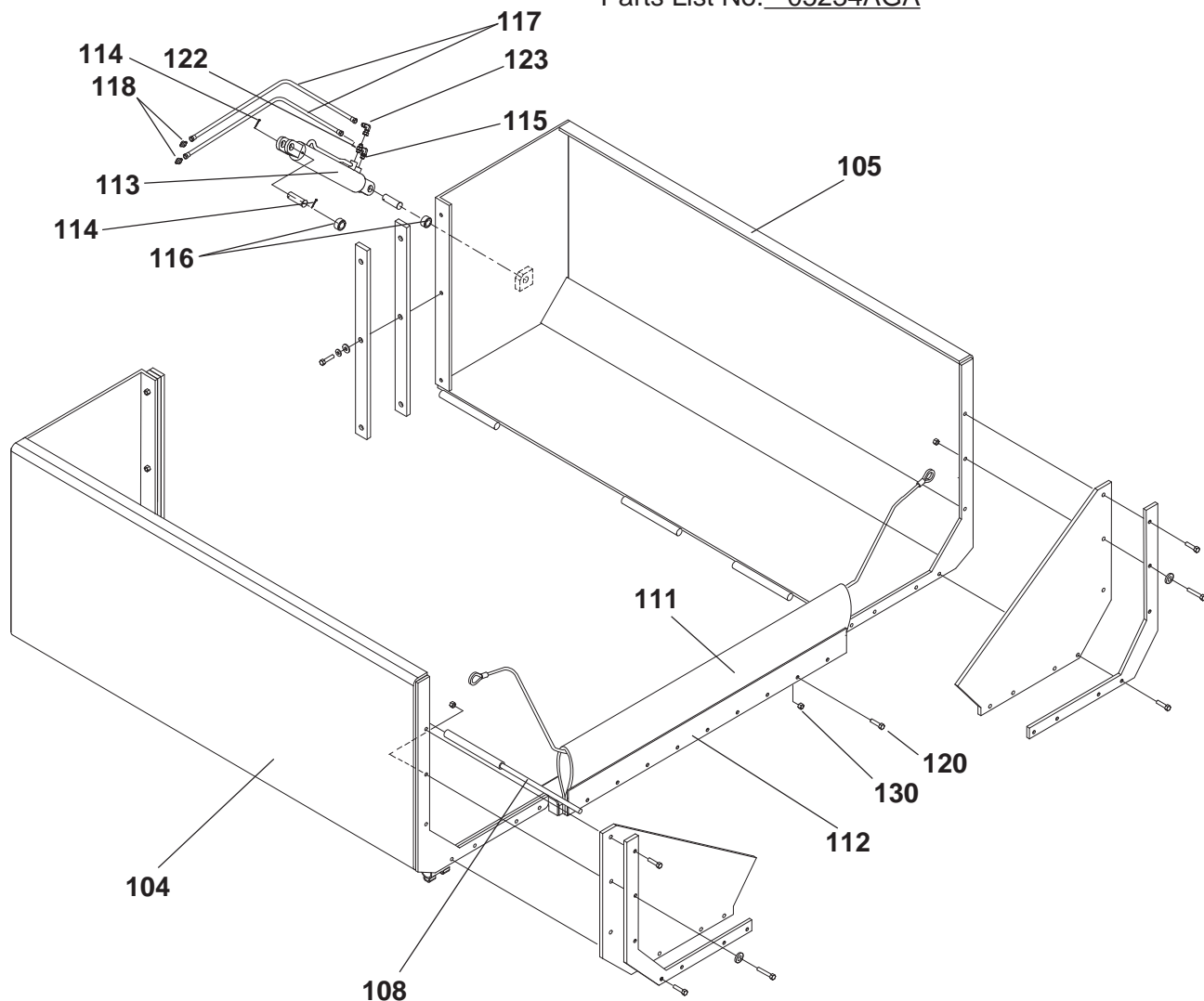




**CEDARAPIDS**

**Hopper Wings Assembly**

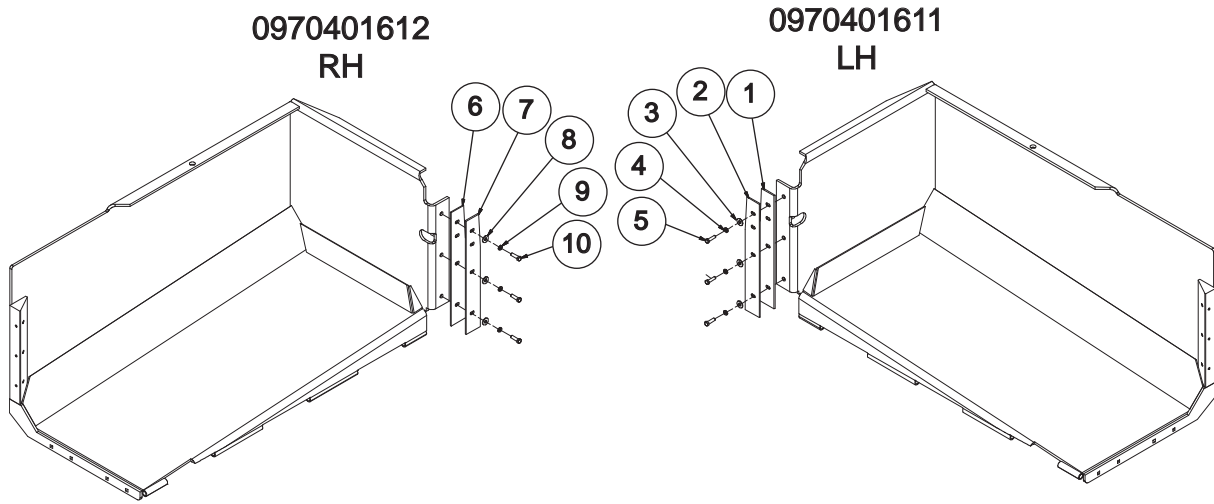
Parts List No. 05234AGA



Ref #	Part Number	REV	Part Name	Description	Qty
-	0970401677	A	ASSEMBLY DRAWING	HOPPER WINGS	REF
104	0970401612		HOPPER WING	RH (See Form 24680)	1
105	0970401611		HOPPER WING	LH (See Form 24680)	1
108	0970401620		ROD	ROD .75DIA X 65	2
111	0970401246	-	FLASHING	FRONT LIP	1
112	0970400806		FLAT	CLAMP	1
113	4509001050	A	CYLINDER	PAVER HOPPER WING	2
	450900105001		SEAL KIT	(For Above Cylinder)	As Req
114	07011066		COTTER PIN	5/32" X 2"	8
115	07430313		ELBOW	#6SAE X #6JIC 45DEG	2
116	4513401101	A	BUSHING	1" BORE	4
117	076510213301	A	HOSE ASSY	3/8" ID X 21"	4
118	07430385		UNION	1/2"	2
120	07383072		CAPSCREW	1/2"NC X 2"	7
122	07430252		CONNECTOR	#6SAEM X #6JICM	2
123	07430383		ELBOW	3/8" SWIVEL NUT	2
130	4589010228	B	LOCKNUT	1/2"NC	7

**Hopper Wings**

Part No. 0970401611 & 0970401612



Ref #	Part Number	REV	Part Name	Description	Qty
-	0970401611		HOPPER WING	LH	-
1	0970401018		WIPER	REAR HOPPER SEAL	1
2	0970401015		PLATE	REAR HOPPER SEAL	1
3	07014020		WASHER	1/2" FLAT	3
4	07014005		WASHER	1/2" LOCK	3
5	07383071		CAPSCREW	1/2"NC X 1-3/4"	3
-	0970401612		HOPPER WING	RH	-
6	0970401018		WIPER	REAR HOPPER SEAL	1
7	0970401015		PLATE	REAR HOPPER SEAL	1
8	07014020		WASHER	1/2" FLAT	3
9	07014005		WASHER	1/2" LOCK	3
10	07383071		CAPSCREW	1/2"NC X 1-3/4"	3




---

**CEDARAPIDS**


---

**Miscellaneous Serial Parts**

 Parts List No. 05234KBA

Ref #	Part Number	REV	Part Name	Description	Qty
102	0970401005	C	GUARD	HOPPER WING	2
103	0970401028	A	FLAT	GUARD	2
104	0970400726		CABLE	HOPPER 118"	1
105	09700459	D	WASHER		2
106	0970401019	A	STRAP	SHIPPING	1
107	07072103		CARRIAGE BOLT	1/2"NC X 2"	12
108	07072105		CARRIAGE BOLT	1/2"NC X 3"	2
109	4589010228	B	LOCKNUT	1/2"NC	14
112	4173300301	E	TAPE	PLASTIC FOAM 1"X3/8"	24'
113	0970430629	-	GRILL	HOOD FRONT	1
114	4589080041	-	CLIP	ALUMINUM ANCHOR	4
115	07435139		MACH SCREW	1/4"NC X 1-1/4	4
116	07438007		WASHER	#11 SHKP LK	4
118	4627000508	-	LIGHT	UTILITY 12.8V	2
119	456900013104	-	HOOD	AIR CLEANER INLET	1
123	4571000309	C	STACK	6"ID X 36"	1
126	0970431288	E	HOOD	EXTENSION	4
127	07072051		CARR BOLT	3/8"NC X 3/4"	12
128	07014018		WASHER	3/8"	12
129	07014003		WASHER	3/8" LOCK	12
130	07012025		HEX NUT	3/8" NC	12

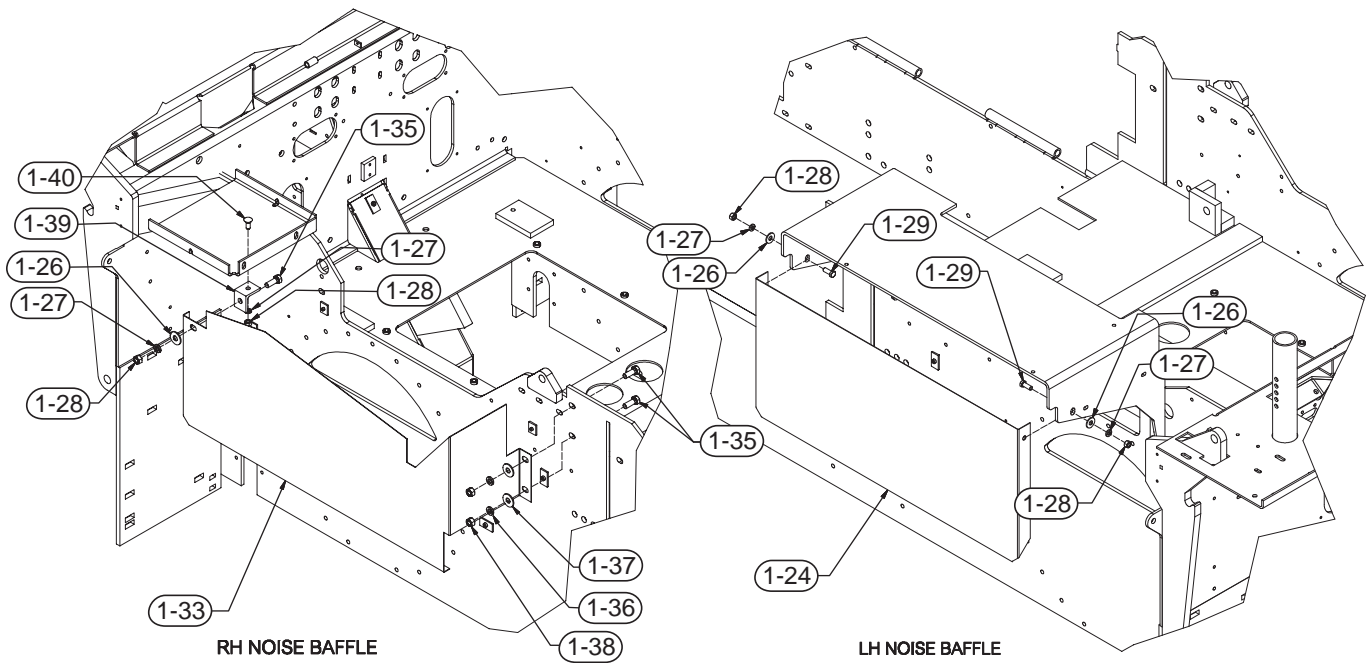
NOTE: NO ILLUSTRATION AVAILABLE





**Noise Baffles**

Parts List No. 05234LCA



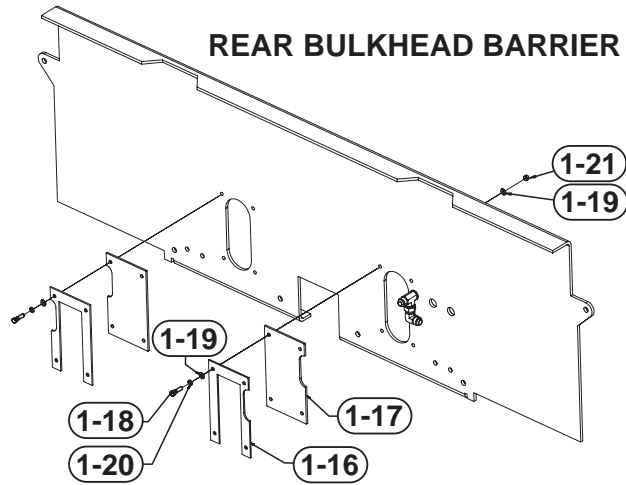
Ref #	Part Number	REV	Part Name	Description	Qty
-	0970495287		ASSEMBLY DRAWING	NOISE BAFFLES	REF
124	0970495285		BAFFLE	LH NOISE	1
126	07014020		WASHER	1/2"	2
127	07014005		WASHER	1/2" LOCK	3
128	07012027		HEXNUT	1/2" NC	3
129	07383069		CAPSCREW	1/2"NC X 1-1/4"	2
133	0970495261	-	BAFFLE	RH NOISE	1
135	07383101		CAPSCREW	5/8"NC X 1-3/4	3
136	07014007		WASHER	5/8" LOCK	3
137	07014022		WASHER	5/8"	5
138	07012029		HEXNUT	5/8" NC	3
139	0970495239	-	ANGLE		1
140	07072101		CARR BOLT	1/2" X 1-1/4"	1
147	0970495286		ACOUSTIC MATERIAL KIT	(Not Shown)	1





CEDARAPIDS

**Rear Bulkhead  
Noise Suppression Components**  
Parts List No. 05234AAD

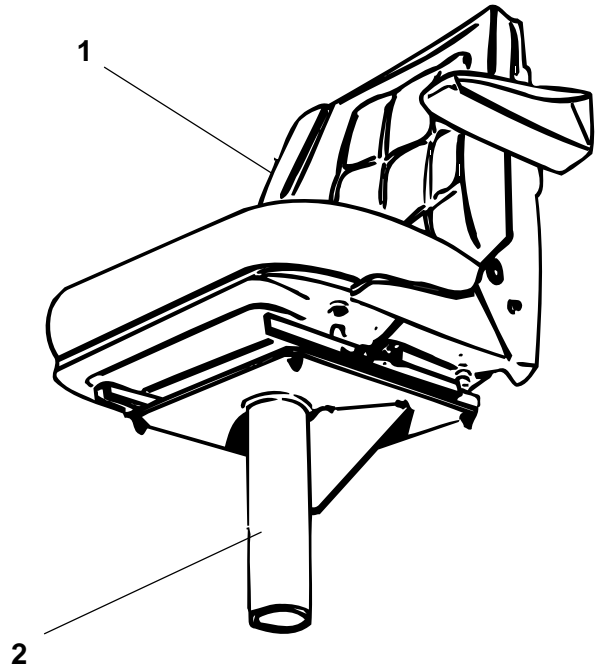


Ref #	Part Number	REV	Part Name	Description	Qty
1-1	0970480223	-	ASSEMBLY	NOISE SUPPRESSION (REF. DWG.)	REF
1-16	0970495271	-	CLAMP	SOUND BARRIER	2
1-17	0970495272	-	COVER	SOUND BARRIER	2
1-18	07383040	-	CAPSCREW	3/8"NC X 1-1/2"	8
1-19	07014018	-	WASHER	3/8"	16
1-20	07014003	-	WASHER	3/8" LOCK	8
1-21	07012025	-	HEX NUT	3/8" NC	8



**Operators Seat**

Parts List No. 05032KGC or 5032KGD



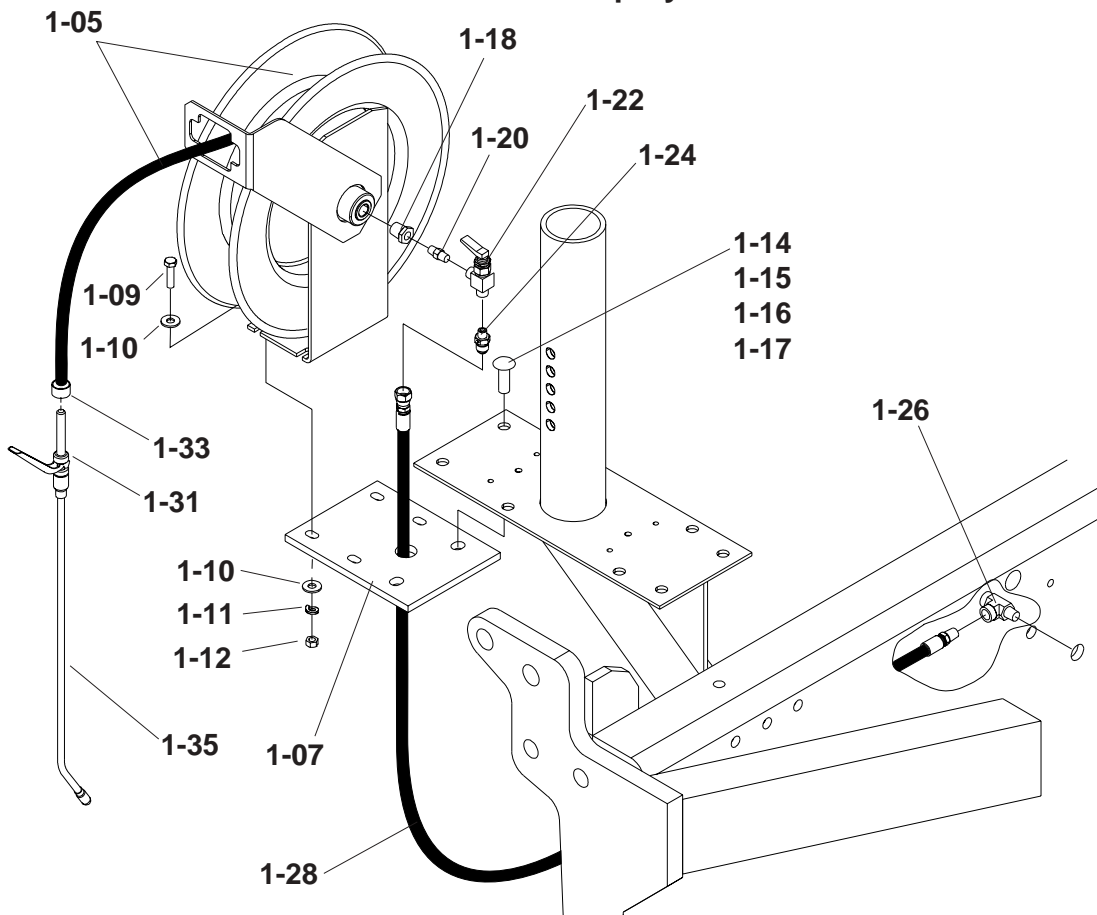
Ref. No.	Part Number	Description	Quantity
1	45037-001-12	Seat, Operators (Complete)	As Req
2	9704-451-38	Pedestal, Seat	As Req
<u>Seat Mounting Hardware - Not Identified on Illustration</u>			
3	7014-002	Lockwasher, 5/16"	As Req
4	7012-024	Hex Nut, 5/16"	As Req
5	7014-017	Washer, 5/16" Flat	As Req





## CEDARAPIDS

## Spraydown Hose Reel

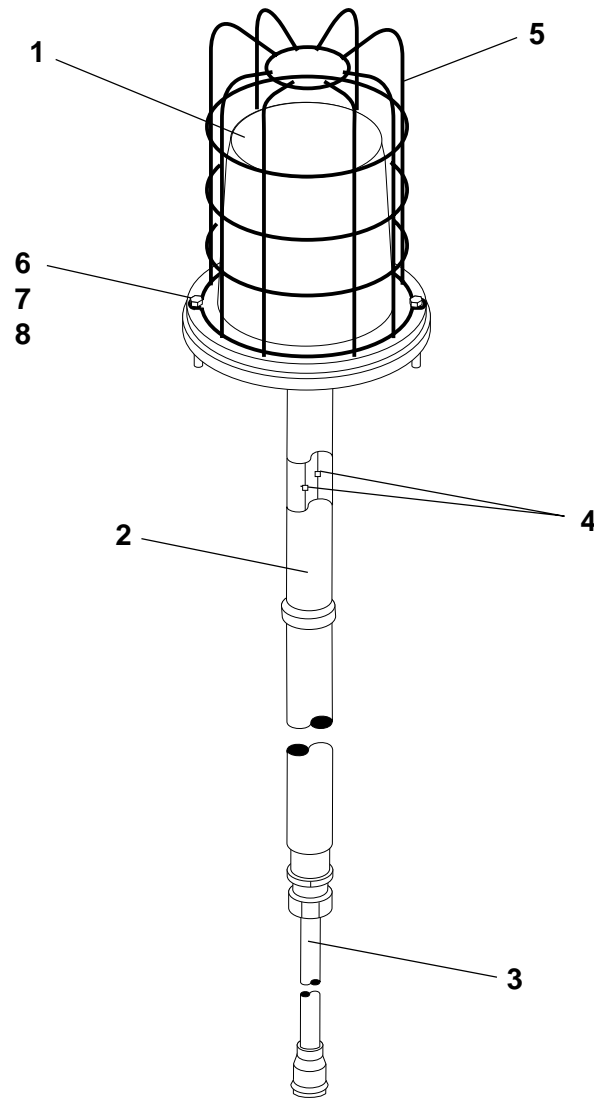


Ref. No.	Part Number	Description	Quantity
1-05	45191-007-29	Reel, Hose (with 30' of hose)	1
1-07	9704-452-79	Plate, Mounting	1
1-09	7383-023	Capscrew, 5/16" NC X 1-1/4"	4
1-10	7014-017	Washer, 5/16"	8
1-11	7014-002	Lockwasher, 5/16"	4
1-12	7012-024	Hex Nut, 5/16" NC	4
1-14	7383-070	Capscrew, 1/2" NC X 1-1/2"	2
1-15	7014-020	Washer, 1/2"	2
1-16	7014-005	Lockwasher, 1/2"	2
1-17	7012-027	Hex Nut, 1/2" NC	2
1-18	45720-769-03	Bushing	1
1-20	45720-770-54	Nipple, 1/8" Parker	1
1-22	45252-004-64	Valve, Shutoff	1
1-24	7430-043	Connector, 1/8" x 3/8"	1
1-26	45720-775-38	Tee, 1/4" Run	1
1-28	7650-040-13-01	Hose Assembly, Reel to Bulkhead	1
1-31	45251-001-76	Valve, Spraydown Nozzle	1
1-33	45191-007-90	Clamp, Hose	1
1-35	45251-006-05	Nozzle Extension	1





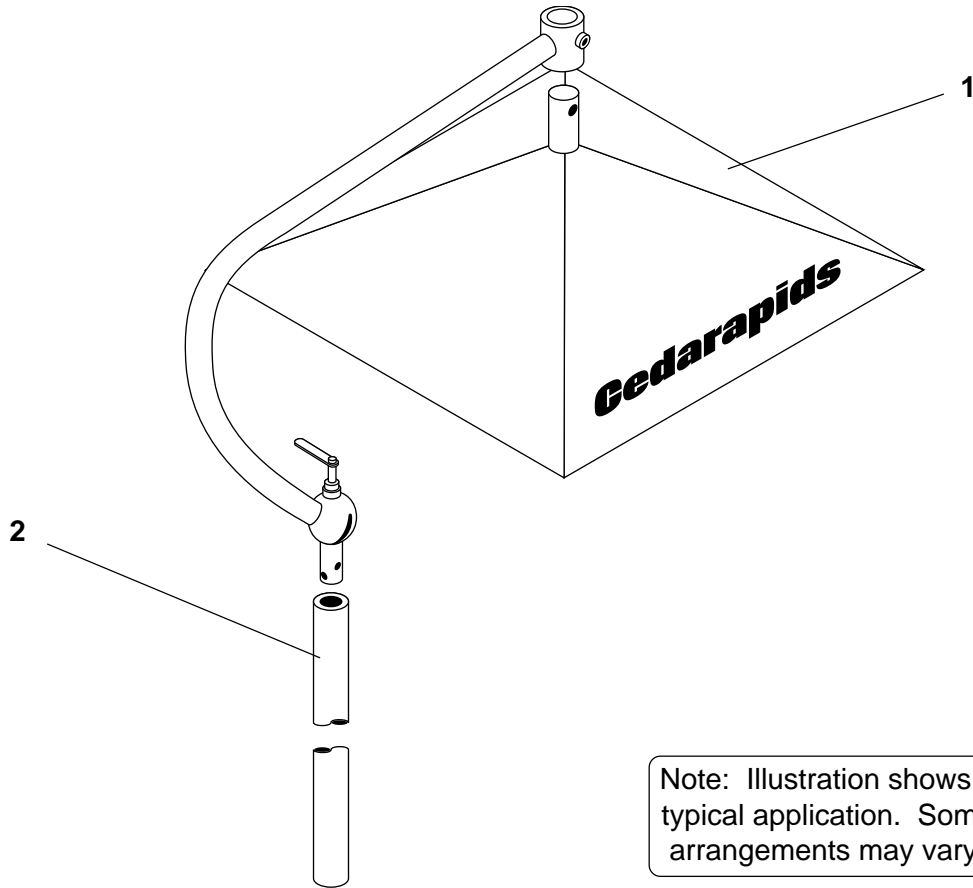
**Strobe Kit**  
Parts List No. 5210JKJ



Ref. No.	Part Number	Description	Quantity
	9704-750-13	Strobe Kit - Complete	1
1	46270-003-12	Lamp, Strobe	1
2	9704-750-12	Mount, Strobe	1
3	9704-410-47	Cable	1
4	46275-001-28	Lug	2
5	46270-003-13	Guard, Strobe	1
6	7383-006	Capscrew, 1/4" NC x 1"	2
7	7014-001	Washer, 1/4" Lock	2
8	7012-023	Nut, Hex 1/4" NC	2
9	7012-003	Nut, Square 3/8" NC - (Not Shown)	1
10	5036PGB04	Bolt, Right Angle 3/8" - (Not Shown)	1



**Umbrella**



Note: Illustration shows a typical application. Some arrangements may vary.

Ref. No.	Part Number	Description	Quantity
1	9704-951-19	Umbrella - Assembly	1
2	{ 7383-068 7012-027 7014-005	Capscrew, 1/2" NC x 1"	4
		Nut, Hex 1/2" NC	4
		Lockwasher	4
3	* 5036VK03	Bracket, Umbrella (Not Shown)	1

\* Item 3 is used on Eng Bom 05046YUB only. And applies to older Pavers.

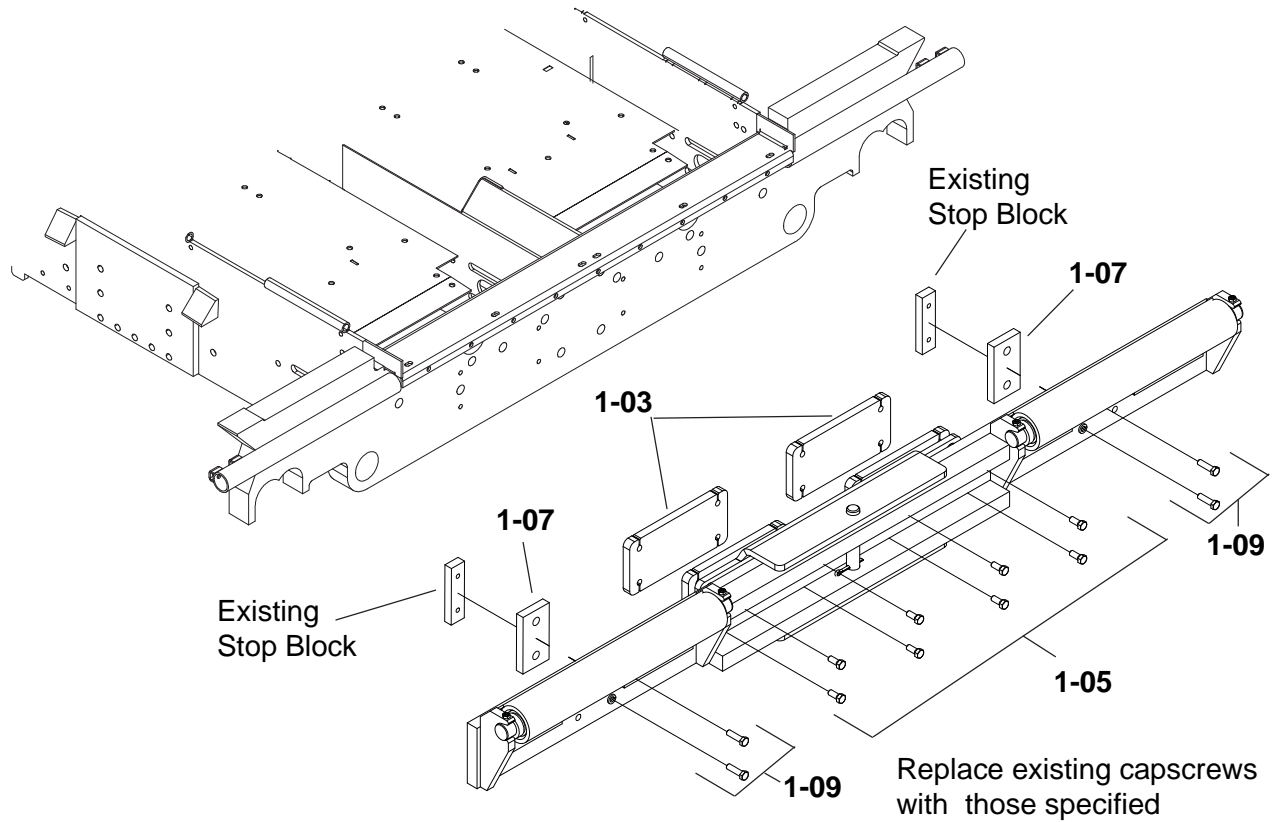




**CEDARAPIDS**

**Oscillating Push Beam Spacer Assembly**

09704-952-88



Ref. No.	Part Number	Description	Quantity
1-03	0970485130	Plate, Spacer	2
1-05	07383104	Capscrew, 5/8" NC x 2-1/2"	8
1-07	0970495281	Block, Spacer	2
1-09	07383103	Capscrew, 5/8" NC x 2-1/4"	4

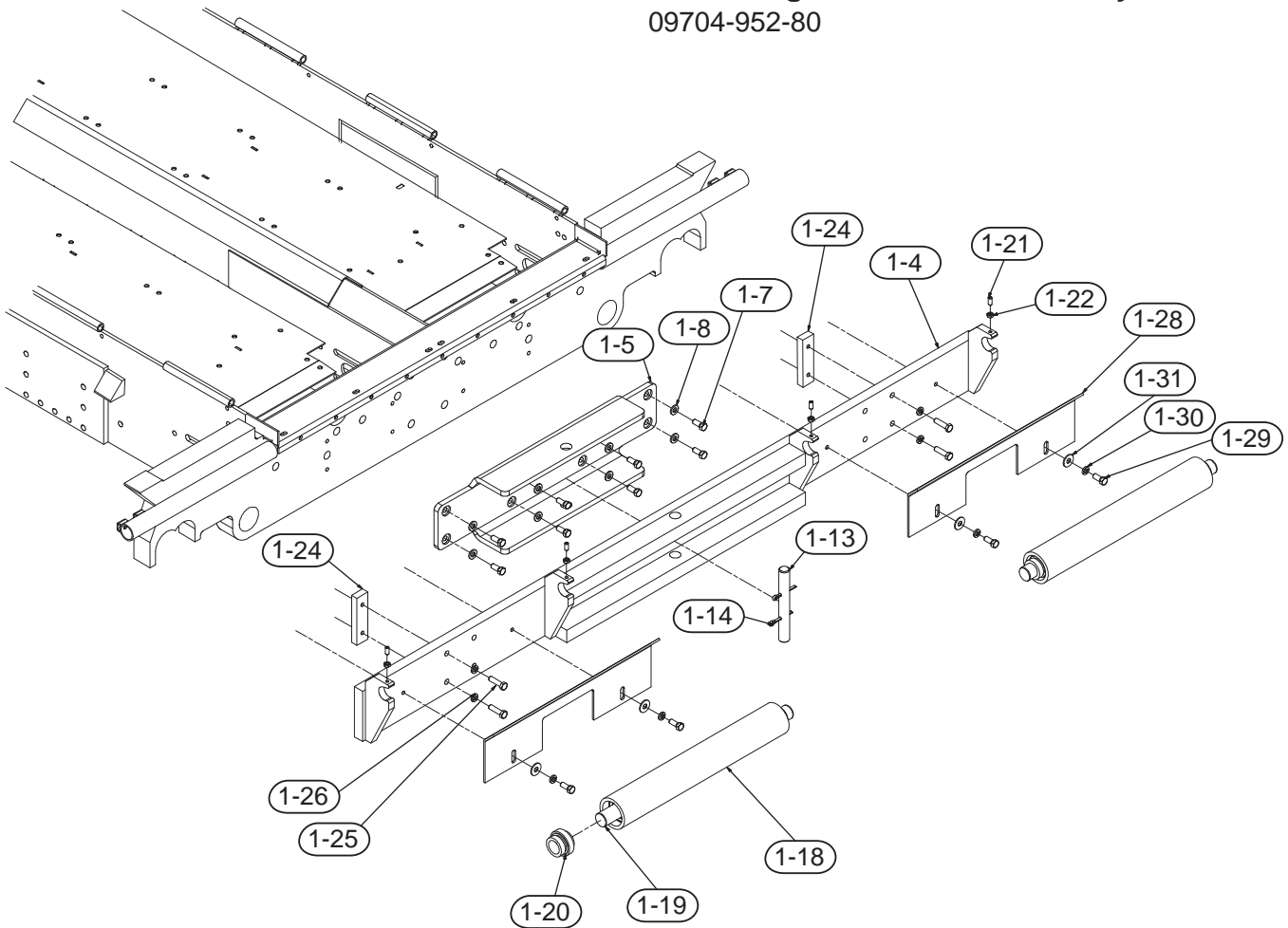




**CEDARAPIDS**

**Oscillating Push Roller Assembly**

09704-952-80



Ref #	Part Number	REV	Part Name	Description	Qty
1-1	0970495280		ASSEMBLY	PUSH ROLLER	REF
1-4	0970495278		BEAM	OSCILLATING BEAM	1
1-5	0970485157		MOUNT	OSCILLATING	1
1-7	07383100		CAPSCREW	5/8" NC X 1-1/2"	8
1-8	07465002		WASHER	5/8" HARDENED FLAT	8
1-13	0970400374	B	PIN	OSC BEAM	1
1-14	07011113		COTTER PIN	3/8" X 3"	2
1-18	05036AD32	E	TUBE	ROLLER	2
1-19	0970495259	A	SHAFT	PUSH-ROLLER	2
1-20	07302013		BALL BRG	1-15/16"BORE	4
1-21	07130105		SET SCREW	1/2"NC X 1-1/4"	4
1-22	07017027		HEX NUT	1/2" NC JAM	4
1-24	0970495279		BLOCK	OSCILLATION STOP	2
1-25	07383103		CAPSCREW	5/8"NC X 2-1/4	4
1-26	07014007		WASHER	5/8" LOCK	4
1-28	0970495282		SCRAPER	PUSH ROLLER	2
1-29	07383100		CAPSCREW	5/8" NC X 1-1/2"	4
1-30	07014007		WASHER	5/8" LOCK	4
1-31	07014022		WASHER	5/8"	4





[Return to Table  
of Contents Page](#)



## Table of Contents

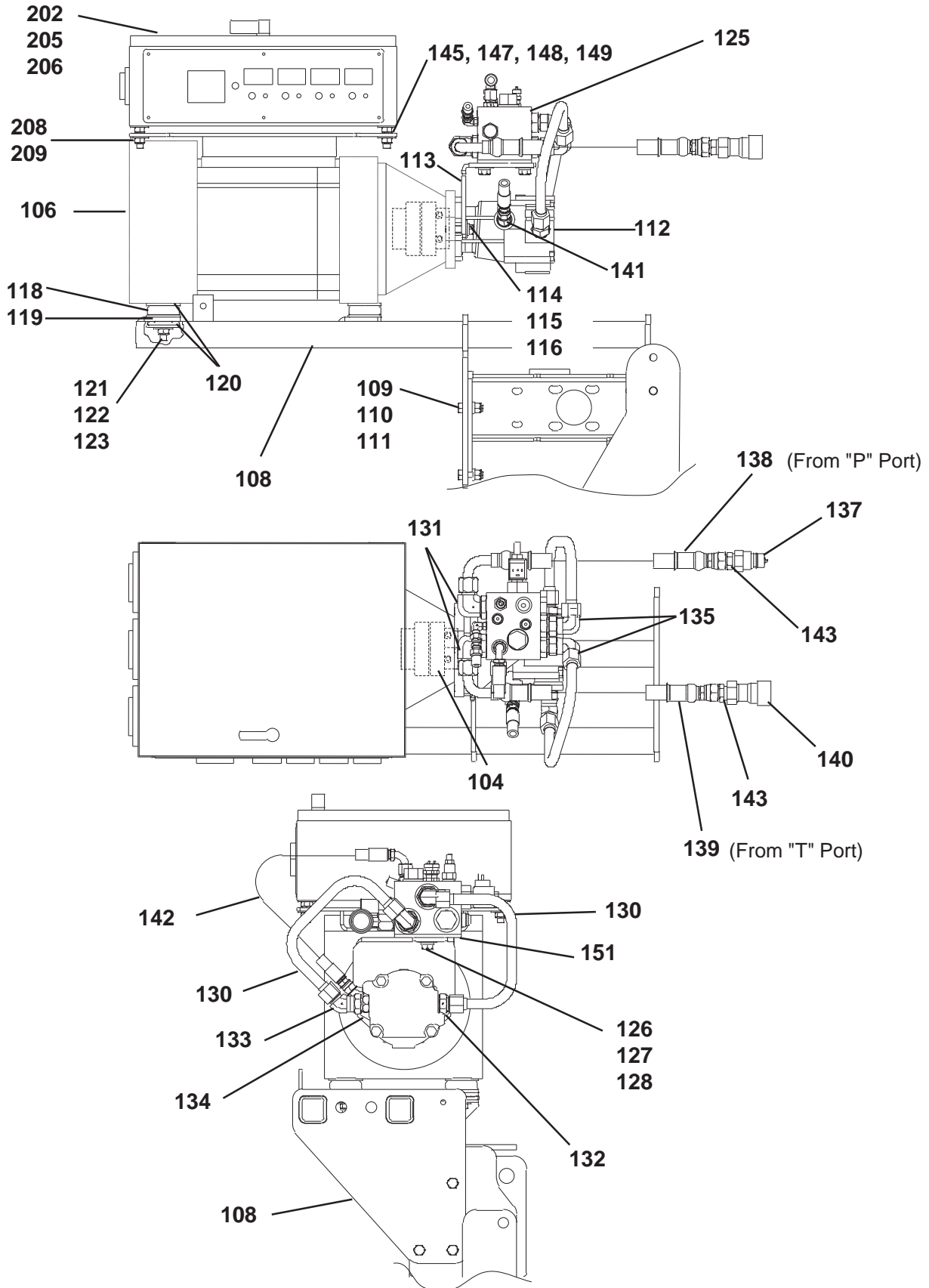
### Generator Drive Components - 05237QAC

<b>Ref No.</b>	<b>Description</b>	<b>Page No.</b>
<a href="#">1</a>	<a href="#">Generator Drive and Plumbing, Illustration</a>	<a href="#">2</a>
<a href="#">2</a>	<a href="#">Generator Drive and Plumbing, Parts List</a>	<a href="#">3</a>
<a href="#">3</a>	<a href="#">Heat Control Box, Illustration</a>	<a href="#">4</a>
<a href="#">4</a>	<a href="#">Heat Control Box, Parts List</a>	<a href="#">5</a>
<a href="#">5</a>	<a href="#">Valve Assembly - Pump Load Sensing</a>	<a href="#">6</a>

Return to Table of Contents Page



### Generator Drive & Plumbing



**Return to Table  
of Contents Page**



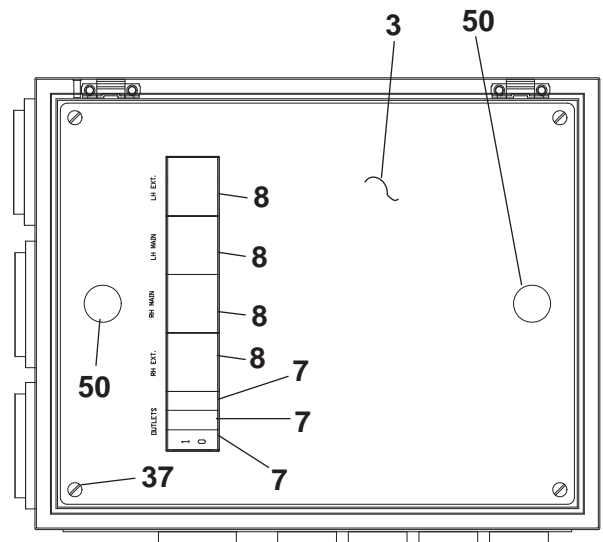
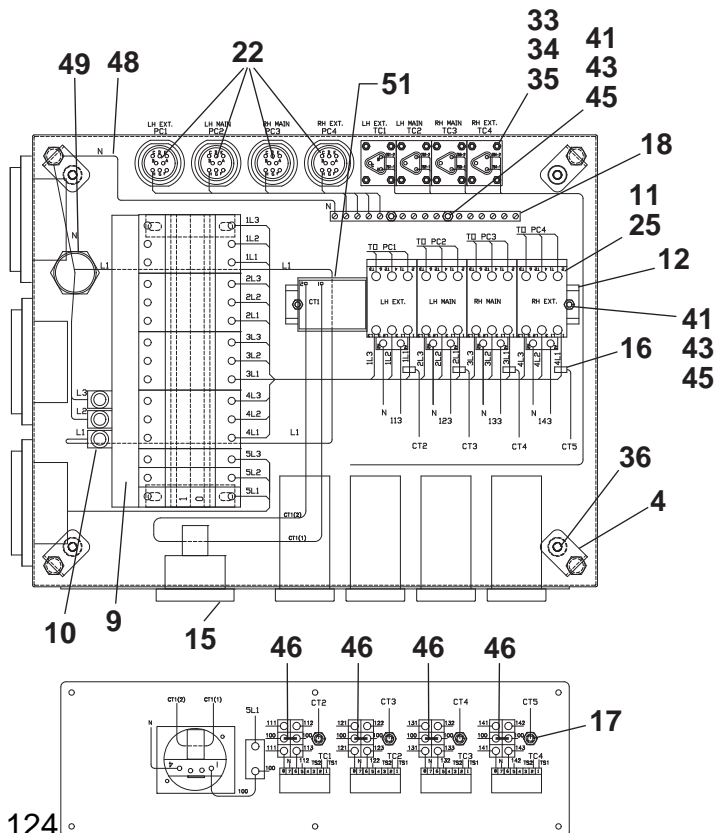
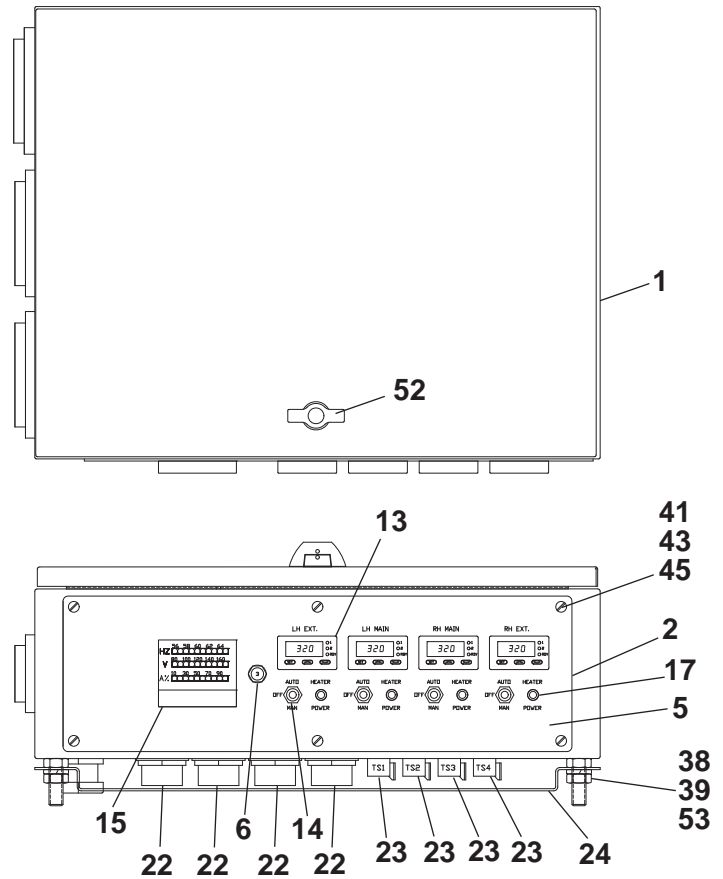
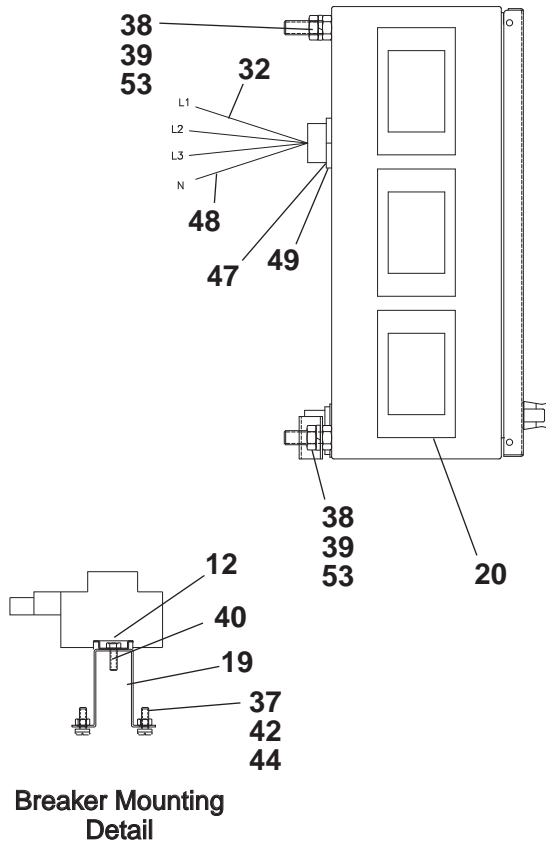
## Generator Drive & Plumbing

Parts List No. 05237QAC

Ref. No.	Part Number	Description	Quantity
104	45479-004-30	Coupling	1
106	46150-003-17	Generator, 20KVA 120/208V	1
108	09704-584-58	Mount, 20KW Generator	1
109	07014-005	Lockwasher, 1/2"	6
110	07383-070	Capscrew, 1/2" NC X 1-1/2"	6
111	07012-027	Hex Nut, 1/2" NC	6
112	45080-006-09	Motor, Hydraulic - 2.14 CID	1
113	09704-661-93	Bracket, Generator Valve	1
114	07383-071	Capscrew, 1/2" NC X 1-3/4"	2
115	07014-005	Lockwasher, 1/2"	2
116	07014-020	Washer, 1/2"	2
118	45905-017-04	Mount, Engine	4
119	07097-019	Washer, 1-1/4" SAE	4
120	02833-B17C	Washer, 1/2"	8
121	07383-077	Capscrew, 1/2" NC X 3-1/4	4
122	07014-020	Washer, 1/2"	4
123	45890-102-28	Locknut, 1/2"NC	4
125	09704-663-57	Valve Assembly - Pump Load Sensing ( <i>See Form 23868</i> )	1
126	07383-070	Capscrew, 1/2" NC X 1-1/2"	2
127	07014-005	Lockwasher, 1/2"	2
128	07014-020	Washer, 1/2"	2
130	09704-661-94	Tube Assembly, Gen Valve Motor	2
131	07430-378	Elbow, 1-5/16" SAE 3/4" JIC	2
132	07430-263	Connector 1-1/16" SE 3/4" J	1
133	07430-427	Fitting, 3/4" JIC Swivel	1
134	45252-010-33	Check Valve	1
135	07430-387	Elbow, 3/4" Swivel Nut	2
137	45191-504-30	Coupler, Male 3/4"FPT	1
138	07673-056-35	Hose Assembly	1
139	07653-054-35	Hose Assembly	1
140	45191-504-31	Coupler, Female 3/4" FPT	1
141	07430-315	Elbow, 7/8" SAE 1/2" JIC	1
142	07652-022-35	Hose Assembly, 1/2" ID X 22"	1
143	07430-051	Connector, 3/4" NPT x 3/4" JIC	2
145	09704-584-60	Mount, Generator Control Box	1
147	45890-300-57	Capscrew, M8 x 1.25 x 25MM	4
148	07014-017	Washer, 5/16"	4
149	07014-002	Lockwasher, 5/16"	4
151	09704-662-42	Spacer, Generator Manifold	1
202	09704-611-94	Electric Heat Control Box ( <i>See Form 24756-24757</i> )	1
205	09704-616-96	Cable, Heat Sensor S16E	2
206	09704-616-98	Cable, Heat Sensor S16E	2
208	07014-005	Lockwasher, 1/2"	4
209	07012-027	Hex Nut, 1/2" NC	4
210	45259-508-15	O-Ring, 1-1/16" (For hydraulic fittings - Not Shown)	As Req
211	45259-508-14	O-Ring, 3/4" (For hydraulic fittings - Not Shown)	As Req

**Return to Table of Contents Page**

**Heat Control Box**



**Return to Table  
of Contents Page**



## Heat Control Box

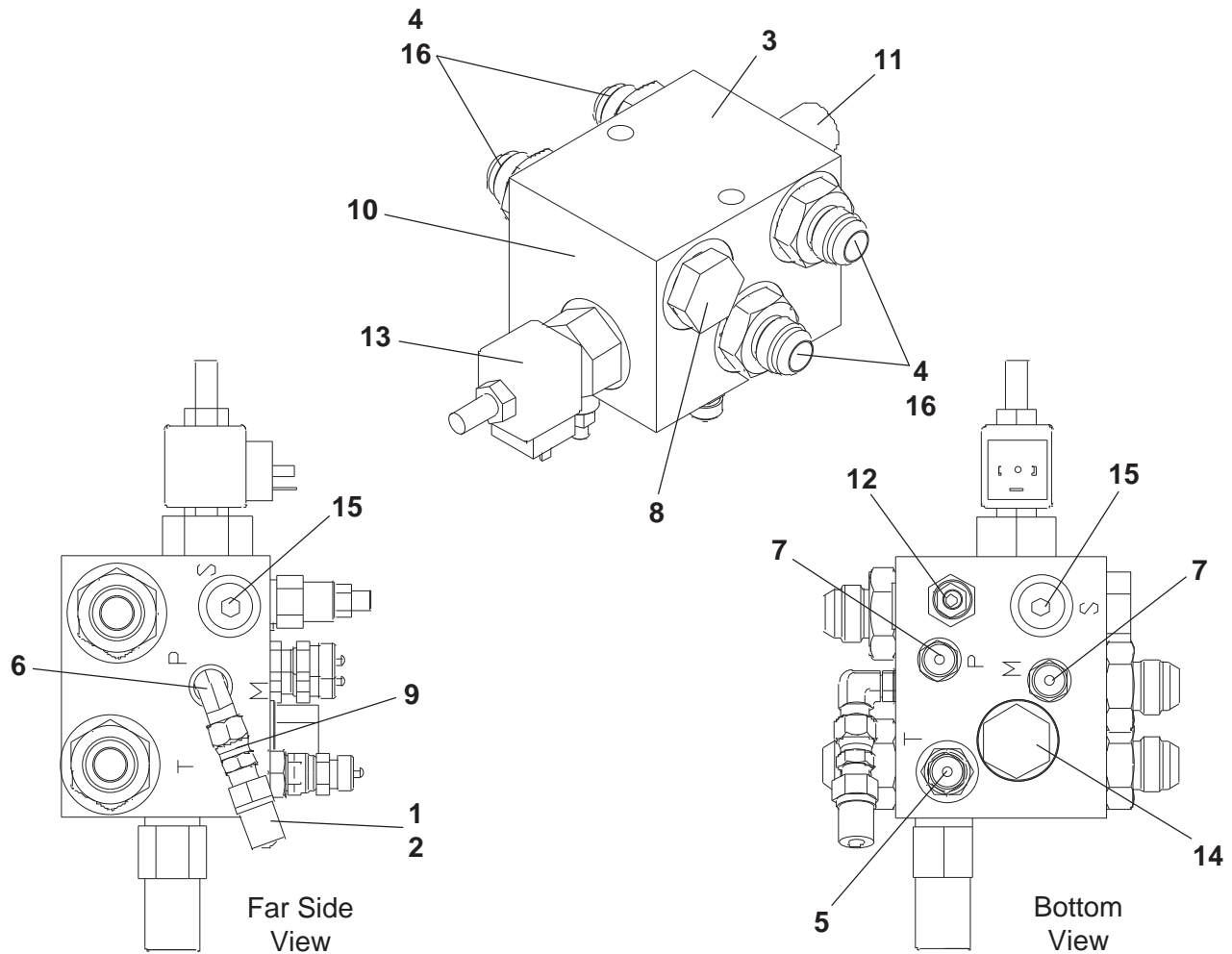
Part No. 0970461194

Ref. No.	Part Number	Description	Quantity
	9704-611-94	Control Box - Complete	1
1	9704-611-96	Box, Electric Heat	1
2	9704-611-62	Panel, Control	1
3	9704-611-61	Panel, Electric Heat	1
4	9704-611-54	Stand-Off, Control Panel	4
5	4494-105-05	Emblem, Stretch Screed Elect.	1
6	46165-005-18	Breaker, 3 A-1 Pole	1
7	46165-005-19	Breaker, 20A 1 Pole	3
8	46165-005-21	Breaker, 30A 3 Pole	4
9	46165-508-04	Bus Bar, 18 PIN 3PH	1
10	46165-509-06	Lug, Power Feed	3
11	46050-404-52	Contact, 37A IEC 3P	4
12	46015-001-39	Track, Din Mounting	1
13	46055-002-18	Controller, Temperature - Reprogrammable	4
14	46200-009-08	Switch, DPDT Toggle	4
15	46225-001-33	Meter, All-In-One	1
16	46225-002-61	Transformer, Remote Current	4
17	46225-002-62	Indicator, Remote Led	4
18	46260-002-07	Ground Bar, 14 CKT Taps	1
19	46260-503-04	Bracket, 2.75" Standoff	2
20	46313-002-74	Cover, Horizontal GFI Outlet	3
21	46313-010-37	Receptacle, 20A Duplex GF	3
22	9704-617-01	Receptacle, Heater Power	4
23	9704-617-02	Receptacle, Heat Sensor	4
24	9704-612-05	Guard, Heat Box	1
25	46955-001-53	Suppressor, 12-120 VAC	4
26	56018-003-10	Wire, #10 SIS	20'
27	56018-105-11	Wire, #14 Stranded Red	25'
28	56018-105-12	Wire, #14 Stranded White	21'
29	56018-109-05	Wire, 12 Awg THHN Black	9'
30	56018-109-06	Wire, 12 Awg THHN Green	12'
31	56018-109-07	Wire, 12 Awg THHN White	12'
32	56018-107-17	Wire, 6 Awg Type TFE - Black	9'
33	7504-040	Screw	12
34	7438-021	Washer	12
35	7440-007	Nut	12
36	45890-100-29	Nut, 1/4" Self-Retaining	4
37	7437-135	Machine Screw, 1/4" NC X 3/4"	8
38	7383-071	Capscrew, 1/2" NC X 1-3/4"	4
39	7017-027	Hex Nut, 1/2" NC JAM	8
40	45890-300-62	Capscrew, M6 X 20 X 1	2
41	7504-069	Machine Screw, #10-32 X 3/4"	10
42	7014-001	Washer, 1/4" Lock	8
43	7438-005	Washer, #10 Shakeproof Lock	10
44	7012-023	Hex Nut, 1/4" NC	4
45	7440-023	Hex Nut, #10 NF	10
46	46260-501-03	Jumper, Terminal Block	4
47	46026-019-03	Nipple, 1" Chase	1
48	56018-107-19	Wire, 6 Awg Type TFE - White	5'
49	46026-016-03	Locknut, 1"	1
50	46000-500-03	Knob, Black Plastic - with Screw	2
51	46245-003-39	Transformer, 100:5 Current	1
52	46200-514-20	Latch	1
53	7014-005	Washer, 1/2" Lock	4

**Return to Table  
of Contents Page**



**Valve Assembly - Pump Load Sensing**  
Part Number: 9704-663-57



Ref. No.	Part Number	Description	Quantity
1	45191-504-14-02	Nipple, Coupling	1
2	45191-504-14-04	Cap, 1/4"	1
3	9704-661-92	Manifold, Valve	1
4	7430-264	Connector, 3/4" x 1-5/16"	4
5	7430-255	Connector, 1/2"	1
6	7430-417	Elbow, 90° 3/8" x 7/16"	1
7	45080-527-04	Fitting, 1/4" Port	2
8	7430-434	Plug, 1"	1
9	7430-423	Connector, 1/4" x 3/8"	1
10	45259-012-14	Orifice Plug, SAE #10 Orifice	1
11	45252-009-58	Relief Valve, 5000 PSI	1
12	45252-007-27	Cartridge, Needle Valve	1
13	45252-003-29	Valve, 40 GPM Solenoid	1
14	45252-010-32	Valve, Check	1
15	45720-775-40	Plug	2
16	45191-509-36	Caplug	4

[Return to Table  
of Contents Page](#)

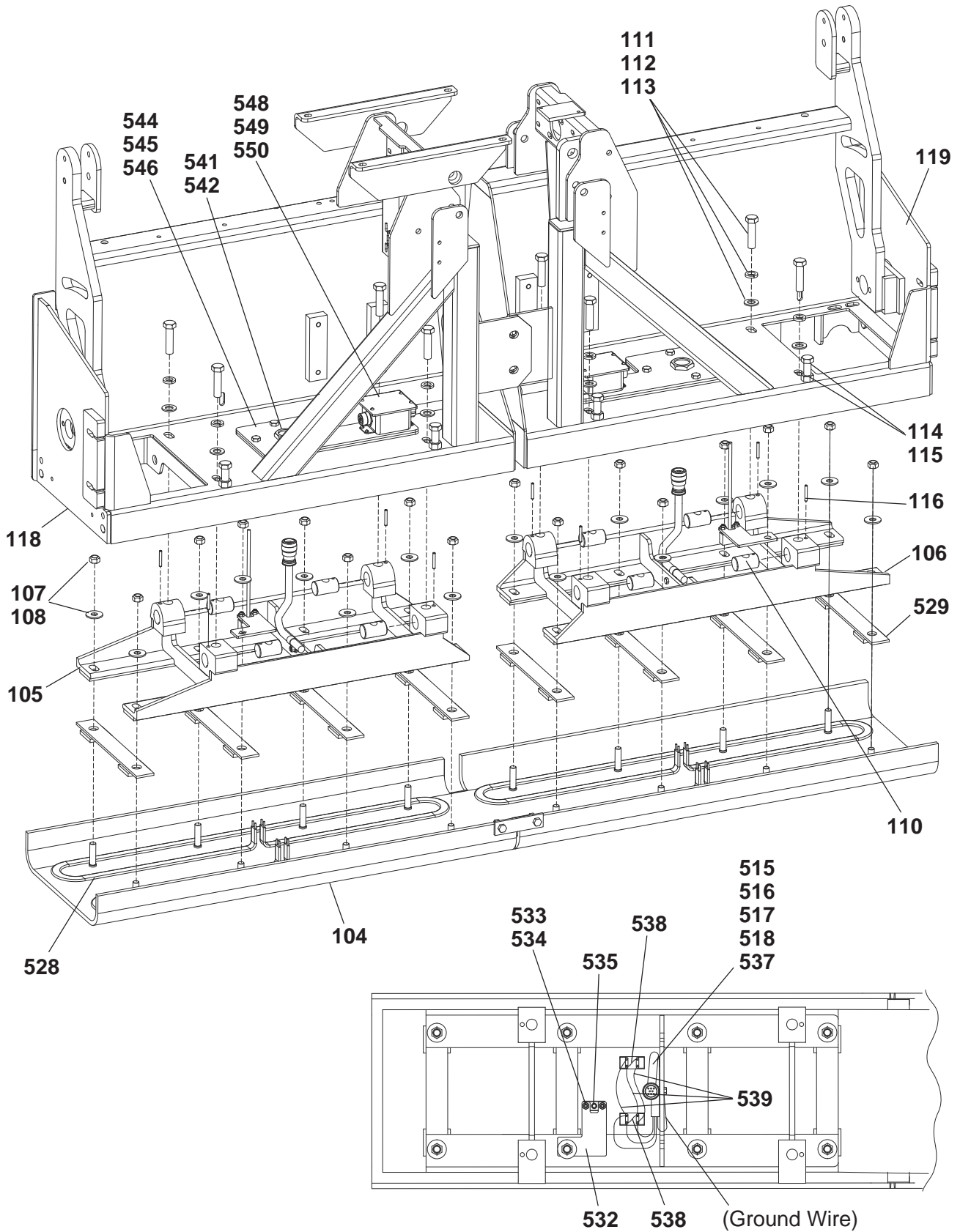
Table of Contents

**Basic Stretch 16 Electric Screed Components - 05237AAC**

<b>Ref No.</b>	<b>Description</b>	<b>Page No.</b>
<u>1</u>	<u><a href="#">Front Screed and Bottom, Illustration</a></u>	<u>2</u>
<u>2</u>	<u><a href="#">Front Screed and Bottom, Parts List</a></u>	<u>3</u>
<u>3</u>	<u><a href="#">Front Screed Strike-Off Plates</a></u>	<u>4</u>
<u>4</u>	<u><a href="#">Crown Adjusting Mechanism</a></u>	<u>5</u>
<u>5</u>	<u><a href="#">Vertical Adjusting Parts, Illustration</a></u>	<u>6</u>
<u>6</u>	<u><a href="#">Vertical Adjusting Parts, Parts List</a></u>	<u>7</u>
<u>7</u>	<u><a href="#">Tipping Frames, Illustration</a></u>	<u>8</u>
<u>8</u>	<u><a href="#">Tipping Frames, Parts List</a></u>	<u>9</u>
<u>7</u>	<u><a href="#">Pull Arms</a></u>	<u>10</u>
<u>8</u>	<u><a href="#">Shaft &amp; Links - Pull Arms</a></u>	<u>11</u>
<u>9</u>	<u><a href="#">Indicators and Miscellaneous Parts</a></u>	<u>12</u>

Return to Table  
of Contents Page

Front Screenshot and Bottom





**Return to Table  
of Contents Page**



## Front Screed and Bottom

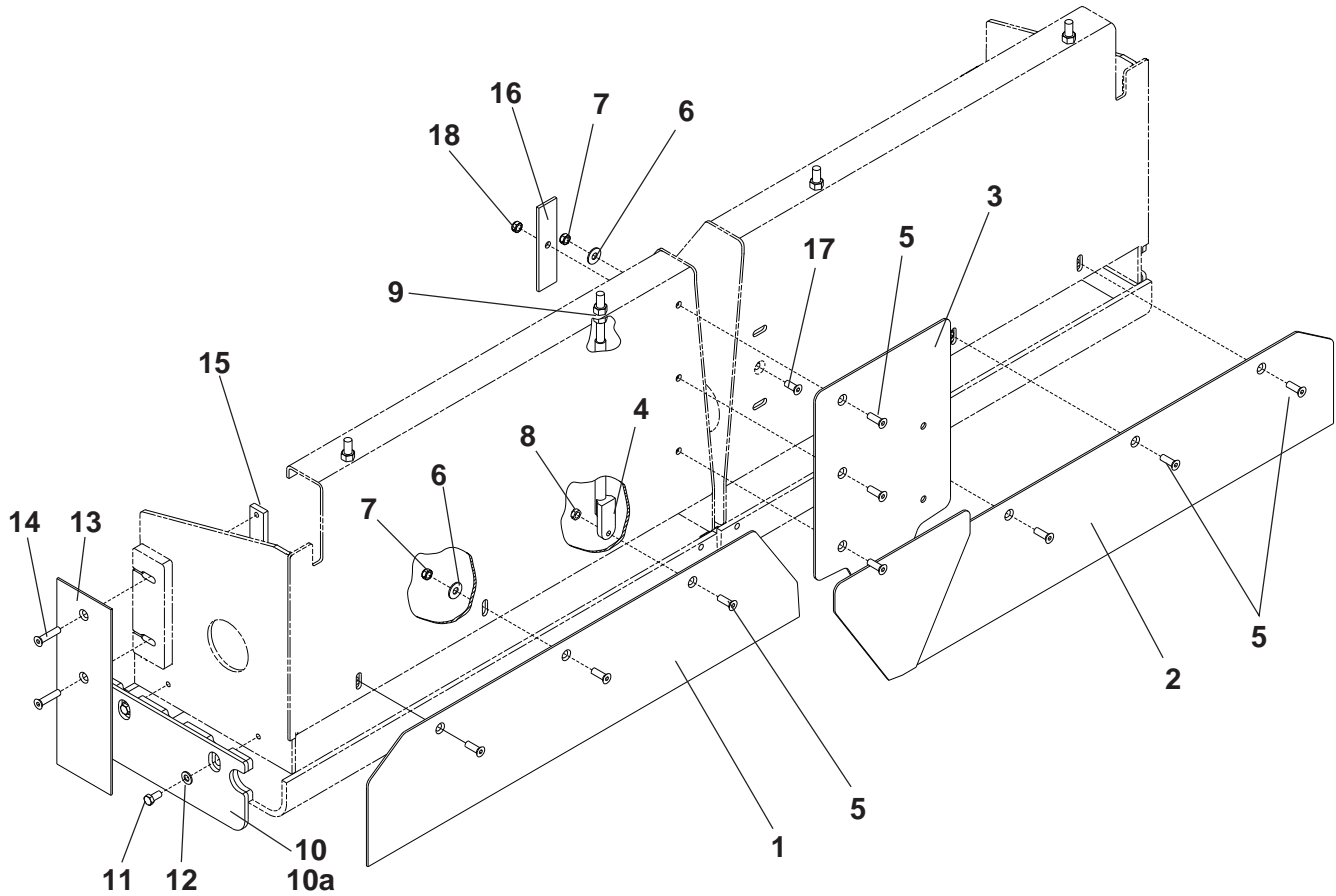
Ref. No.	Part Number	Description	Quantity
104	9704-572-44	Plate, Front Screed, Stretch 16	1
105	9704-572-57	Sub-Frame Left-Hand Screed Bottom	1
106	9704-572-56	Sub-Frame, Right-Hand Screed Bottom	1
107	7014-022	Washer, 5/8"	16
108	45890-102-29	Locknut, 5/8" NC	16
110	9704-572-82	Pivot Nut, Sub-Frame Lock	8
111	7097-015	Washer, 3/4" SAE	8
112	7014-009	Lockwasher, 3/4"	8
113	7383-122	Capscrew, 3/4" NC x 3"	8
114	7153-005	Adjust Bolt, 3/4" NC x 3 1/8"	4
115	7012-030	Hex Nut, 3/4" NC	4
116	7238-116	Roll Pin, 1/4" x 1-3/4"	8
118	9704-583-46	Frame, Left-Hand 8/16 Screed	1
119	9704-573-08	Frame, Right-Hand Screed	1
515	7509-006	Clamp, 3/4"	2
516	7383-039	Capscrew, 3/8" NC x 1-1/4	2
517	7014-003	Lockwasher, 3/8"	2
518	7012-025	Hex Nut, 3/8" NC	2
528	46055-001-52	Heating Element, 1800w - 208	4
529	9704-584-51	Clamp, Heating Element	8
530	49999-255	Heat Sink Compound ( <i>Not Shown</i> )	As Req
532	9704-584-63	Temperature Sensor Clamp	2
533	7131-080	Set Screw, 3/8" NC x 1" C	4
534	7017-025	Hex Nut, 3/8" NC Jam	4
535	46055-003-07	Sensor, Temperature Point 100	2
537	9704-616-41	Cable, Heater	2
538	9704-616-39	Wire, 4" Jumper	4
539	9704-616-67	Jumper, 6"	6
541	46026-019-06	Nipple, 2" Chase	2
542	46026-016-06	Locknut, 2"	2
544	9704-586-71	Plate, Mounting - Junction Box	2
545	7383-038	Capscrew, 3/8" x 1"	8
546	7014-003	Lockwasher, 3/8"	8
548	9704-612-01	Main Heat Junction Box	2
549	7435-095	Machine Screw, #10 NC x 1/2"	8
550	7439-003	Washer, #10 Locking	8

Note: Certain replacement parts may also be available in kit form.  
Please consult with Cedarapids Product Support for additional information.

**Return to Table  
of Contents Page**



**Front Screenshot Strike Off Plates**

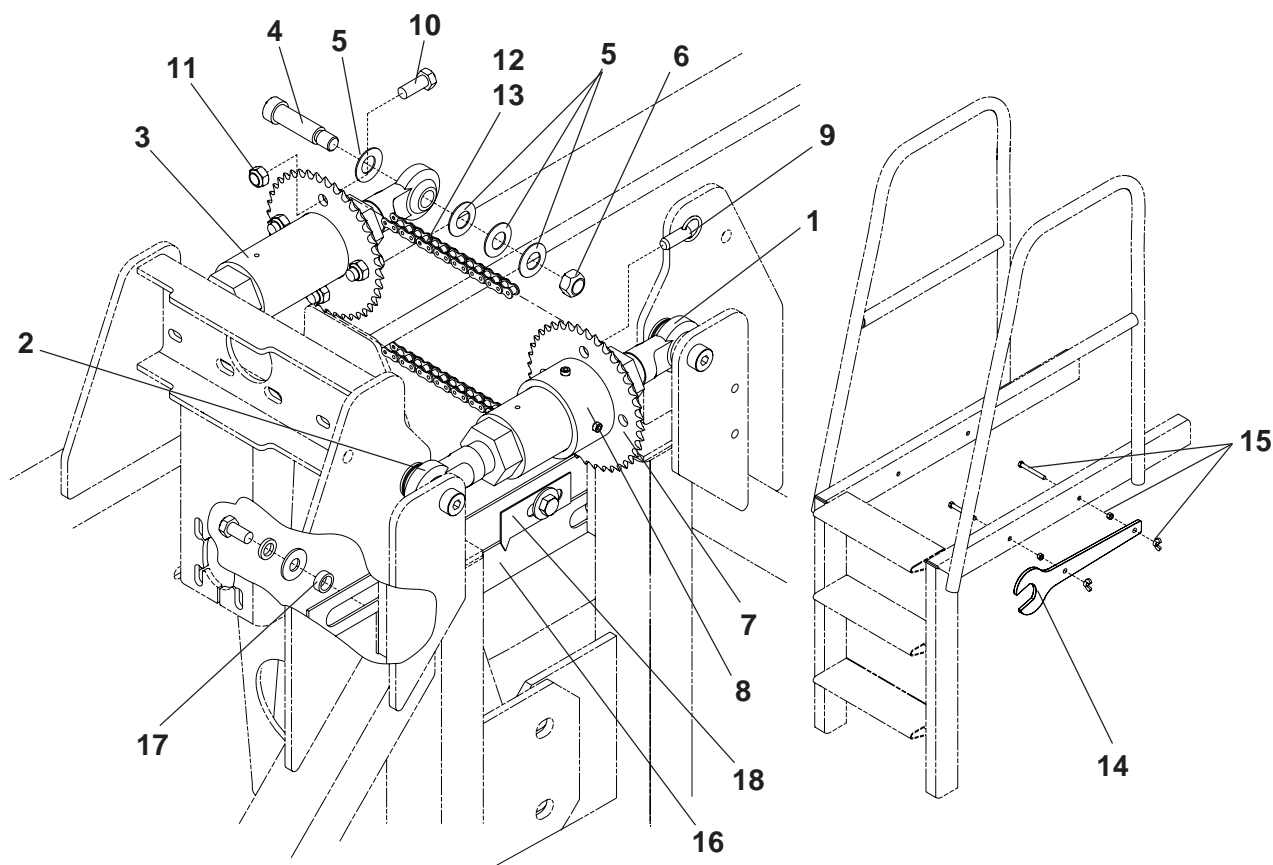


Ref. No.	Part Number	Description	Quantity
1	9704-572-38	Plate, Strike Off - Right Hand	1
2	9704-572-39	Plate, Strike Off - Left Hand	1
3	9704-572-64	Cover, Front Strike Off	1
4	9704-562-41	Plate, Adjusting - Strike Off	4
5	7389-046	Capscrew, 1/2" x 1-1/2" Sockethead	9
6	7014-020	Washer, 1/2"	5
7	45890-102-28	Locknut, 1/2"	5
8	7017-027	Hex Nut, 1/2" Jam	4
9	7012-029	Hex Nut, 5/8"	8
10	9704-573-15	End Plate, Main Screenshot (fuel burner models only)	2
10a	9704-576-72	End Plate, Main Screenshot (electric models only)	2
11	7383-068	Capscrew, 1/2" x 1"	4
12	7097-011	Washer, Flat	4
13	9704-573-16	Seal Plate	2
14	7383-073	Capscrew, 1/2" x 2-1/4"	4
15	9704-574-60	Nut, Seal Plate	2
16	9704-574-55	Cover, Left Hand Front Screenshot	1
17	7389-045	Capscrew, 1/2" x 1-1/4" Sockethead	1
18	45890-102-28	Locknut, 1/2"	1

Note: Certain replacement parts may also be available in kit form.  
Please consult with Cedarapids Product Support for additional information.

**Return to Table  
of Contents Page**

**Crown Adjusting Mechanism**



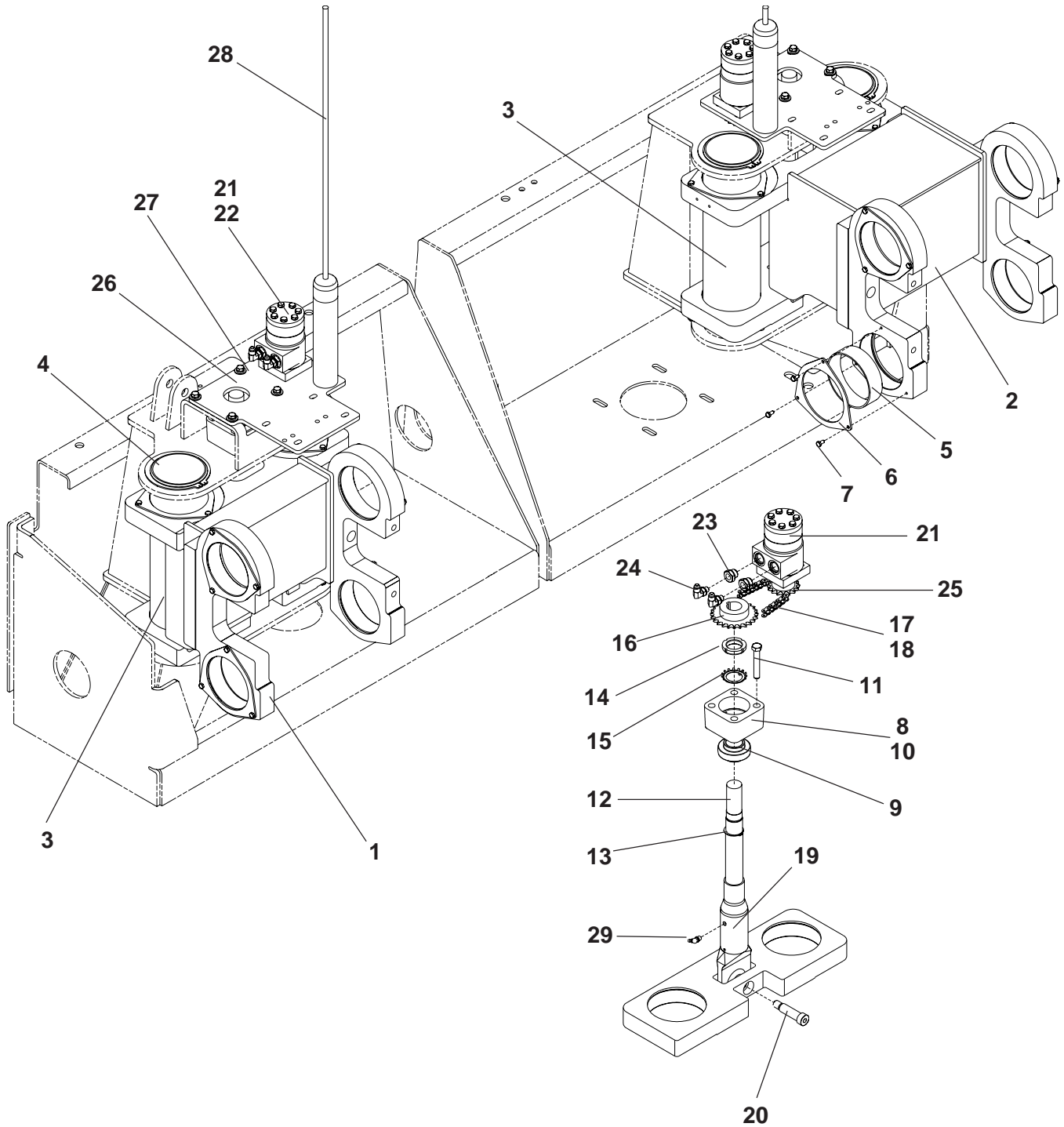
Ref. No.	Part Number	Description	Quantity
1	9704-561-15	Rod End, Left Hand Threads	2
2	9704-561-14	Rod End, Right Hand Threads	2
3	9704-567-32	Turnbuckle, Crown Adjust	2
4	7455-018	Shoulder Screw, 3/4" x 2-1/4"	4
5	7453-603	Washer, Bellville 3/4"	16
6	45890-102-29	Locknut, 5/8"	4
7	1383A40D	Sprocket, Adjusting	2
8	4460-214-02	Collar, Shaft	1
9	45890-750-08	Pin, Quick Release	2
10	7383-069	Capscrew, 1/2" x 1-1/4"	4
11	45890-102-28	Locknut, 1/2"	4
12	50005-020	Chain, #40 Roller	4.2'
13	50005-020-03	Link, #40 Chain	1
14	Consult Factory	Wrench, Crown Adjusting	-
15	7383-047	Capscrew, 3/8" x 3-1/4"	2
	7012-025	Hex Nut, 3/8"	2
	7056-011	Wing Nut, 3/8"	2
16	9704-563-60	Flat, Crown Indicator	2
17	9704-553-73	Spacer	4
18	9704-558-57	Pointer, Main Screed Crown	1

Note: Certain replacement parts may also be available in kit form.

Please consult with Cedarapids Product Support for additional information.

Return to Table  
of Contents Page

### Vertical Adjusting Parts



**Return to Table  
of Contents Page**



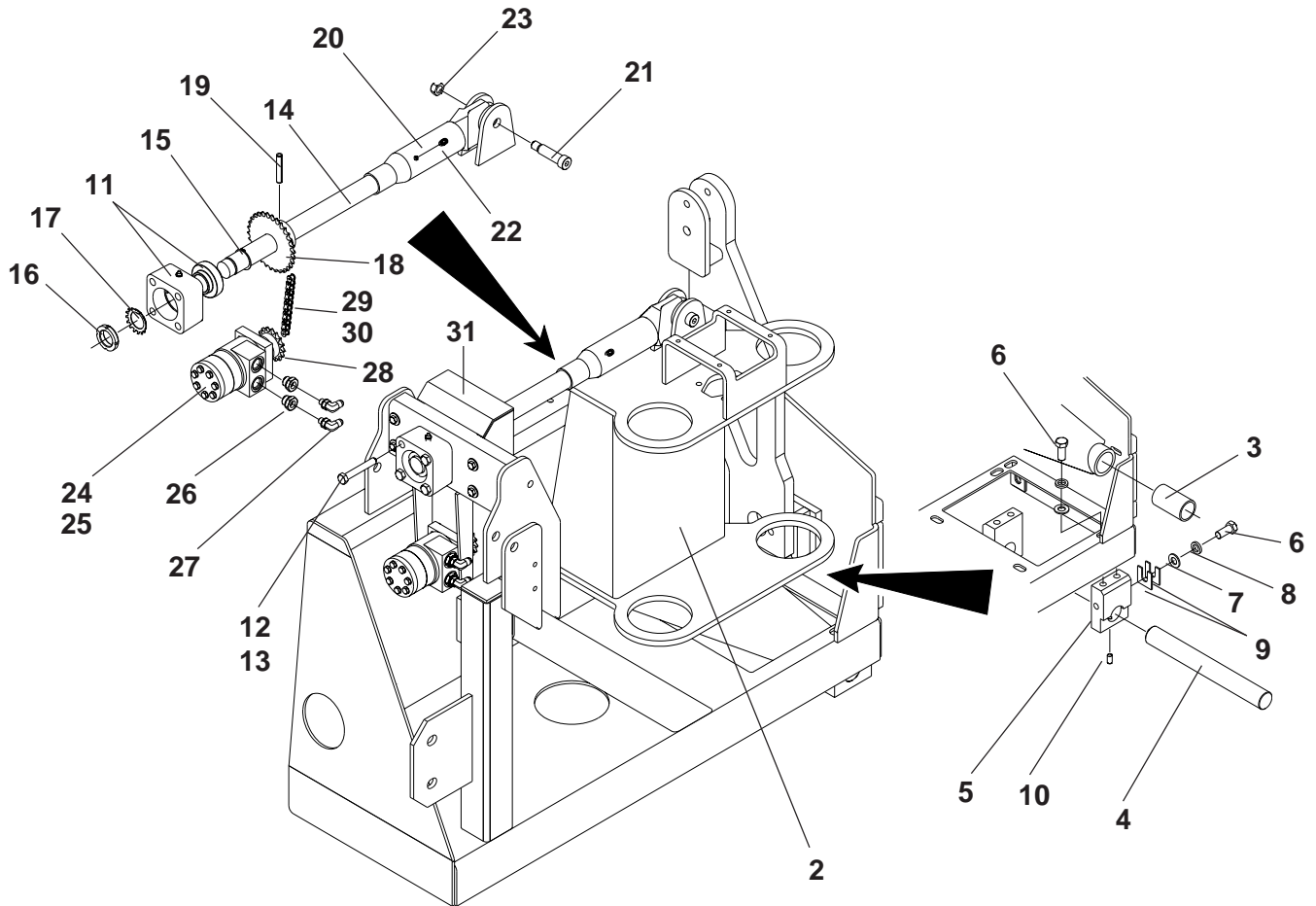
## Vertical Adjusting Parts

Ref. No.	Part Number	Description	Quantity
1	9704-572-93	Box, Vertical Adjust - Left Hand	1
2	9704-572-92	Box, Vertical Adjust - Right Hand	1
3	9704-572-65	Tube, Vertical	4
4	7253-084	Retaining Ring	8
5	45134-003-05	Bearing	16
6	9704-557-45	Retainer, Bearing	16
7	7383-002	Capscrew, 1/4" x 1/2"	48
	4431-721-02	Bearing, Screed Adjusting Screw - Complete	2
8	4431-721-01	Housing, Bearing	2
9	7041-026	Ball Bearing	2
10	7051-001	Grease Fitting, 1/8"	2
11	7383-076	Capscrew, 1/2" x 3"	8
12	9704-565-68	Shaft, Vertical Adjust	2
13	7253-040	Retaining Ring	2
14	7030-008	Locknut, SKF	2
15	7033-008	Lockwasher	2
	45065-003-74	Sprocket, Shaft	2
16	40801-001-50	Key, 5/16" Square	2
	7131-052	Setscrew, 1/4" x 3/4"	4
17	50005-020	Chain, #40	1.9'
18	50005-020-03	Link, #40 Chain	2
19	9704-565-62	Link, Shaft - Right Hand ACME	2
20	7455-018	Screw, Shoulder 3/4" x 2-1/4"	2
21	45080-006-01	Hydraulic Motor - Eaton	2
	45080-006-01-01	Seal Kit (For above motor)	As Req
	7383-039	Capscrew, 3/8" x 1-1/4"	8
22	7014-018	Washer, 3/8"	8
	7014-003	Lockwasher, 3/8"	8
23	45720-775-56	Reducer, Fitting	4
24	7430-275	Elbow, 3/8" 90° with O-Ring	4
	45259-508-13	O-Ring (for above fitting)	As Req
25	45065-003-53	Sprocket, Motor	2
26	9704-572-91	Mount, Motor & Valve	2
	7383-039	Capscrew, 3/8" x 1-1/4"	8
27	7014-018	Washer, 3/8"	8
	7014-003	Lockwasher, 3/8"	8
28	45191-508-06	Support, Hose & Spring	2
29	7051-002	Fitting, 45° Grease 1/4"	2

Note: Certain replacement parts may also be available in kit form.  
Please consult with Cedarapids Product Support for additional information.

Return to Table  
of Contents Page

Tipping Frames



Note: Right hand assembly shown.  
Left hand equal & opposite.

**Return to Table  
of Contents Page**



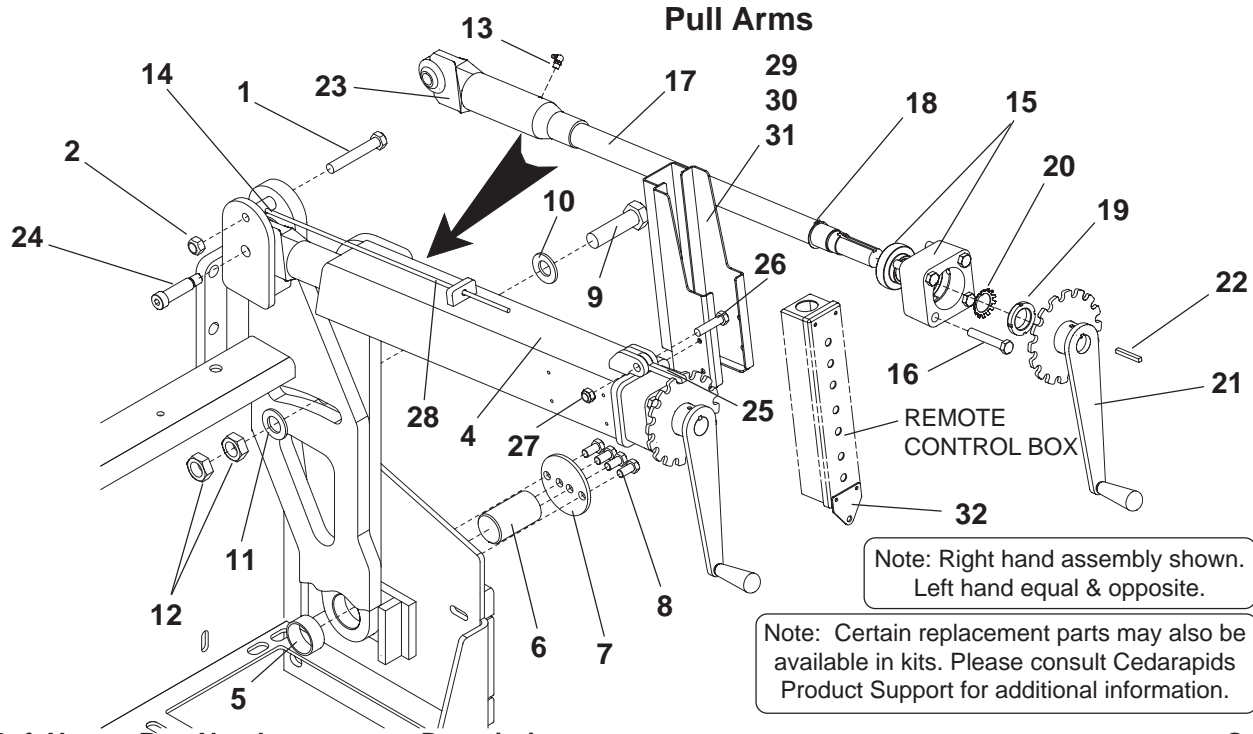
## Tipping Frames

Ref. No.	Part Number	Description	Quantity
1	9704-572-51	Frame, Rear Screed - Left Hand	1
2	9704-572-50	Frame, Rear Screed - Right Hand	1
3	7254-019	Bearing	4
4	9704-572-89	Shaft, Pivot	2
5	9704-572-66	Block, Pivot - Tipping Frame	4
6	7383-117	Capscrew, 3/4" x 1-3/4"	12
7	7097-015	Washer, Flat	12
8	7014-009	Lockwasher, 3/4"	12
9	5202-500-38	Strip	8
10	7131-104	Set Screw, 1/2" x 1"	4
11	4431-721-02	Bearing, Screed Adjust - Complete	2
	4431-721-01	Housing, Bearing	As Req
	7041-026	Ball Bearing	As Req
	7051-001	Grease Fitting, 1/8"	As Req
12	7383-077	Capscrew, 1/2" x 3-1/4"	8
13	45890-102-28	Locknut, 1/2"	8
14	9704-572-71	Shaft, Slope Adjust	2
15	7253-040	Retaining Ring	2
16	7030-008	Locknut, SKF	2
17	7033-008	Lockwasher	2
18	1383A30C	Sprocket, Shaft	2
19	7238-170	Roll Pin	2
20	9704-565-64	Link, Right Hand ACME	2
21	7455-021	Screw, Shoulder 3/4" x 2-1/2"	2
22	7051-002	Grease Fitting, 45° 1/8"	2
23	45890-102-29	Locknut, 5/8"	2
24	45080-006-01	Hydraulic Motor - Eaton	2
	45080-006-01-01	Seal Kit (For above motor)	As Req
25	7383-038	Capscrew, 3/8" x 1"	8
	7014-003	Lockwasher, 3/8"	8
	7014-018	Washer, 3/8"	8
26	45720-775-56	Reducer Fitting	4
27	7430-275	Elbow, 90° 3/8"	4
28	45065-003-53	Sprocket, Motor	2
29	50005-020	Chain, #40	5'
30	50005-020-03	Link, Connector #40	2
31	9704-573-14	Guard, Power Slope	2
32	9704-589-78	Shim, Pivot Block (Not Shown on Illustration)	2
33	7097-013	Washer, 5/8" SAE (Not Shown on Illustration)	2
34	7097-015	Washer, 3/4" SAE (Not Shown on Illustration)	2

Note: Certain replacement parts may also be available in kit form.  
Please consult with Cedarapids Product Support for additional information.



**Return to Table of Contents Page**

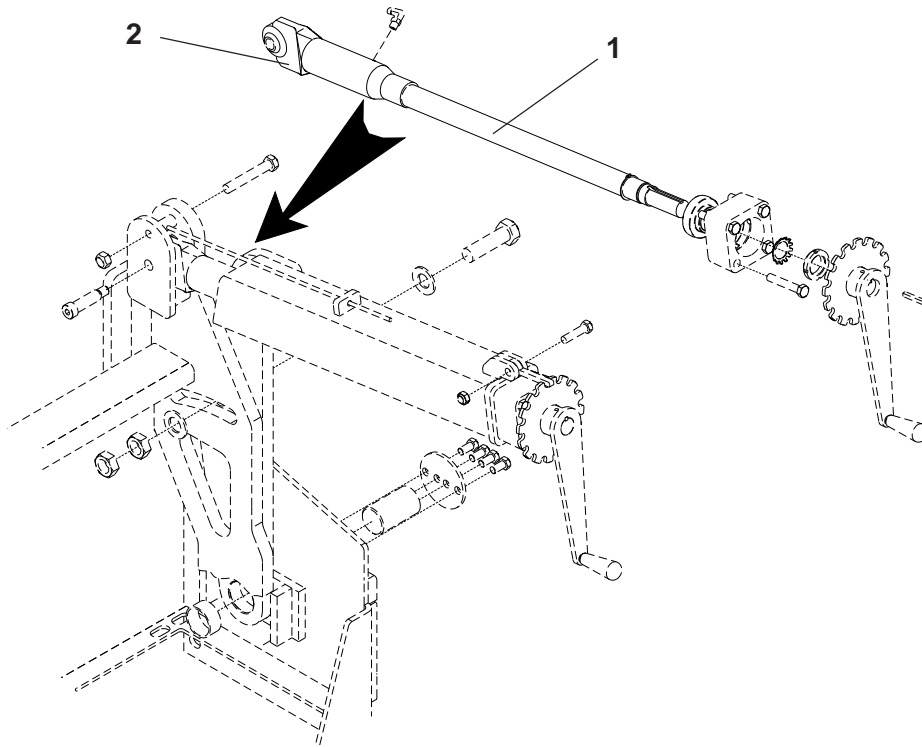


Ref. No.	Part Number	Description	Quantity
1	7383-110	Capscrew, 5/8" x 4"	2
2	45890-102-29	Locknut, 5/8"	2
3	9704-583-67	Pull Arm, Left Hand	1
4	9704-583-68	Pull Arm, Right Hand	1
5	45134-002-85	Bearing, Pivot	2
6	9704-563-86	Pin, Pivot - Pull Arm	2
7	9704-572-68	Cap, Pivot - Pull Arm	2
8	7383-066	Capscrew, 1/2" x 3/4"	8
9	7383-159	Capscrew, 1" x 3-1/2"	2
10	7453-251	Washer, 1" Bevel	2
11	7465-005	Washer, 1" Flat	2
12	7017-032	Hex Nut, 1" Jam	4
13	7051-004	Grease Fitting, 90° 1/8"	2
14	7014-023	Washer, 3/4"	4
15	4431-721-02	Bearing, Screed Adjust - Complete	2
	4431-721-01	Housing, Bearing	As Req
	7041-026	Ball Bearing	As Req
	7051-001	Grease Fitting, 1/8"	As Req
16	7383-076	Capscrew, 1/2" x 3"	8
17	Reference	Shaft, RH or LH Mat Thickness - (See Form 22359 or 22360)	2
18	7253-040	Retaining Ring	2
19	7030-008	Lock Nut, SKF	2
20	7033-008	Lockwasher	2
21	9704-569-62	Crank	2
22	40800-002	Key, 1/4" x 2"	2
23	Reference	Link, RH or LH ACME - (See Form 22359 or 22360)	2
24	7455-018	Screw, Shoulder 3/4" x 2-1/4"	2
25	9704-568-84	Flat, Locking	2
26	7383-072	Capscrew, 1/2" x 2"	2
27	45890-102-28	Locknut, 1/2"	2
28	9704-572-70	Indicator, Mat Thickness	2
29	9704-586-65	Holder, Remote Control Box	2
30	7383-002	Capscrew, 1/4" NC x 1/2"	4
31	7014-001	Washer, 1/4" Lock	4
32	9704-586-66	Tab, Padlock Control Box	2



**Return to Table  
of Contents Page**

**Shaft and Link - Pull Arms**

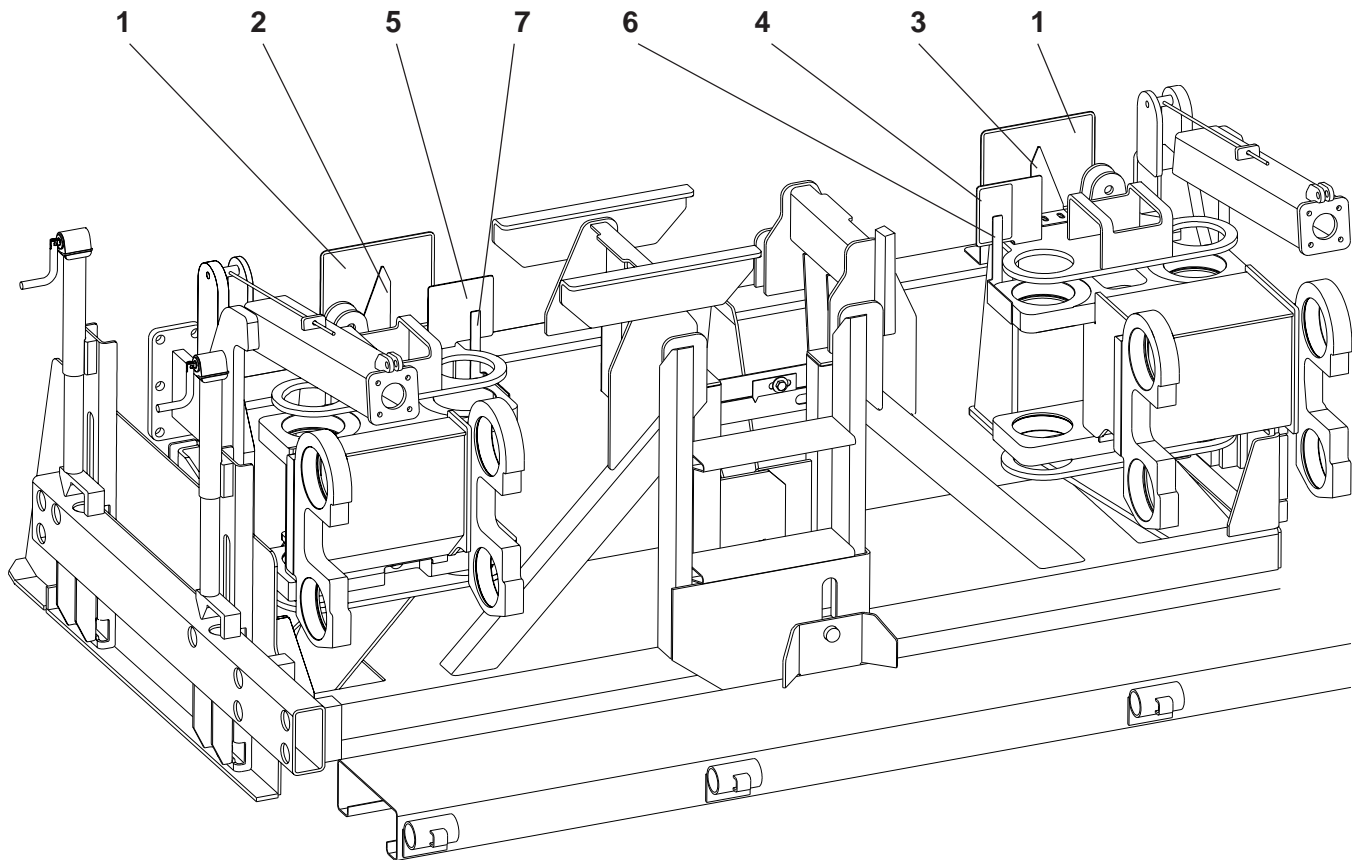


Ref. No.	Part Number	Description	Quantity
1	9704-572-43	Shaft, Mat Thickness - R. H. Threads ( <i>Standard Rotation</i> )	2
2	9704-565-64	Link, Right Hand ACME ( <i>Standard Rotation</i> )	2

Note: Certain replacement parts may also be available in kit form.  
Please consult with Cedarapids Product Support for additional information.

**Return to Table  
of Contents Page**

**Indicators & Miscellaneous Parts**



Ref. No.	Part Number	Description	Quantity
1	9704-574-18	Support, Slope Gauge	2
2	9704-574-17	Pointer, Slope Gauge - Left Hand	1
3	9704-574-16	Pointer, Slope Gauge - Right Hand	1
4	9704-574-20	Bracket, Match Height - Right Hand	1
5	9704-574-21	Bracket, Match Height - Left Hand	1
6	9704-574-22	Pointer, Match Height - Right Hand	1
7	9704-574-23	Pointer, Match Height - Left Hand	1
8	Consult Factory	Gauge, Strike Off Adjust ( <i>Not Shown</i> )	-

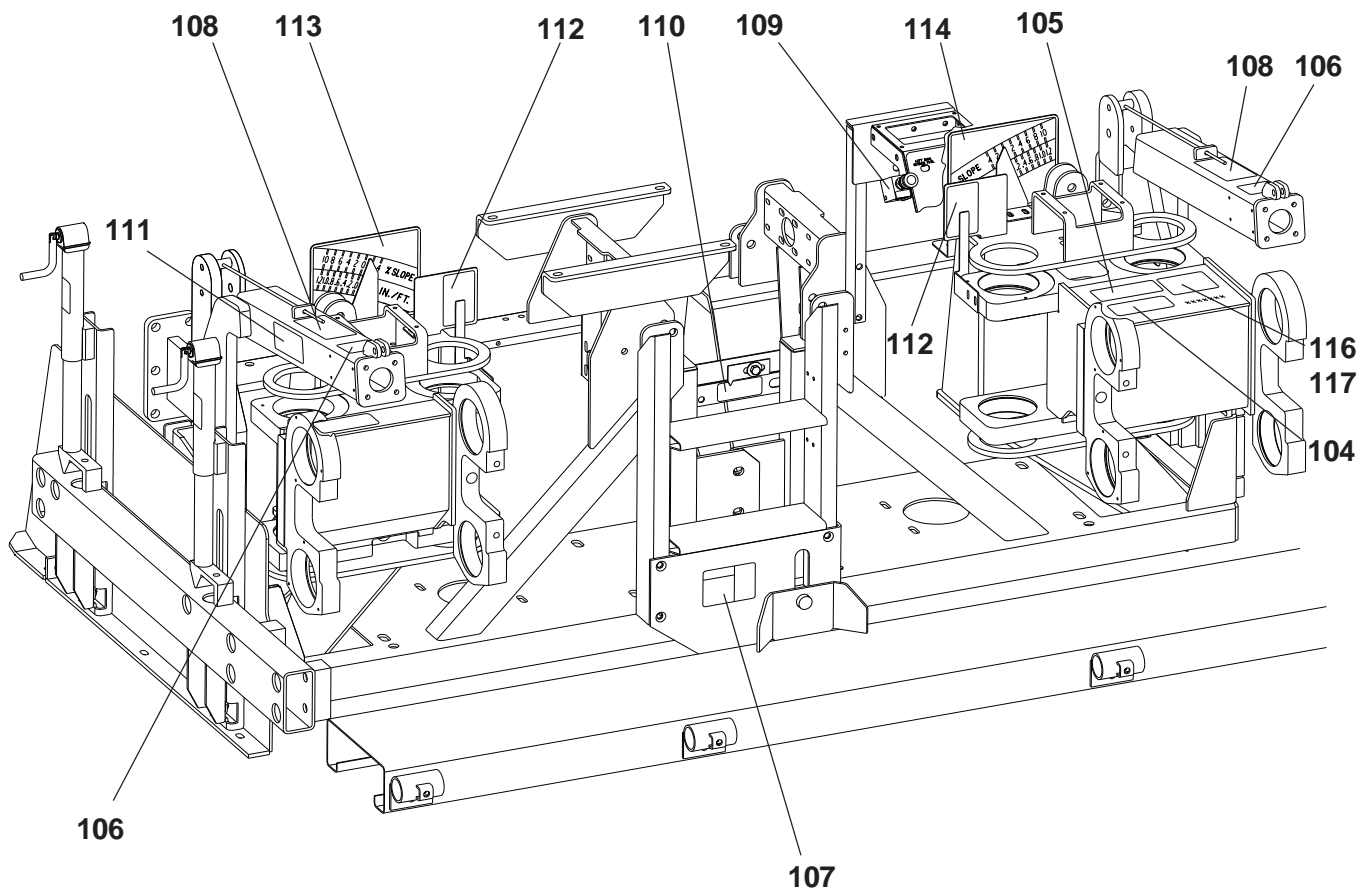
Note: Certain replacement parts may also be available in kit form.  
Please consult with Cedarapids Product Support for additional information.





## Decals &amp; Emblems

Parts List No. 05237KBA



Ref #	Part Number	REV	Part Name	Description	Qty
-	0970459074		ASSEMBLY DRAWING	DECALS S16 SCREED	REF
104	0449150033		DECAL	READ MANUALS	1
105	0449150034		DECAL	LOCKOUT/TAGOUT	1
106	04418503	D	EMBLEM	MAT. THICKNESS CNT	2
107	04491013	B	EMBLEM	PAVER-SCREED EXT.	1
108	04418535	D	GAUGE	MATTHICK-THIN	2
109	04418591	A	EMBLEM	VIB. SPEED	1
110	04418600	C	EMBLEM	CROWN	1
111	04418781	D	EMBLEM	STRETCH 16	2
112	04418786	B	EMBLEM	MATCH HEIGHT GAUGE	2
113	04418787	C	EMBLEM	LH SLOPE GAUGE	1
114	04418788	C	EMBLEM	RH SLOPE GAUGE	1
115	04495004	-	DIAGRAM	HYDRAULIC SCHEMATIC (Not Shown)	1
116	04493033		DECAL	SERIAL PLATE	1
117	07073013		SCREW	#6 X 1/4" DRIVE	4
125	04495007		DIAGRAM	GENERATOR CIRCUIT (Not Shown)	1
127	4600000404	B	PADLOCK	#7KA MASTER (Not Shown)	5
128	4550075010	D	WRENCH	OPEN END 2-13/16" (Not Shown)	1





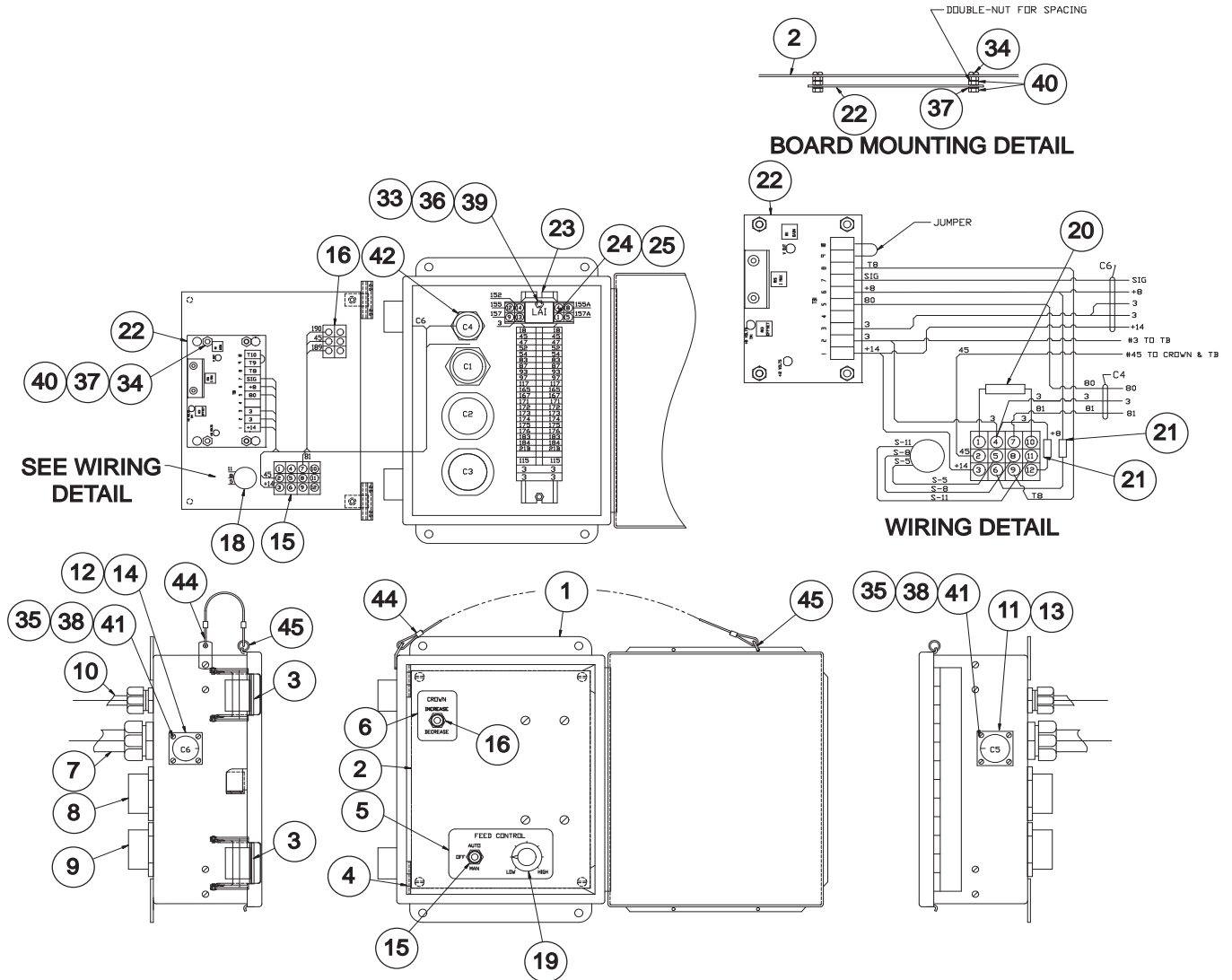
CEDARAPIDS

**Stretch 16 Electric - Electrical Parts**Parts List No. 05037PSJ

Ref #	Part Number	REV	Part Name	Description	Qty
105	0970461648	A	HARNESS	SCREED	1
107	0970461217	A	CONTROL	LH SCREED ( <i>See Form 24412-24413</i> )	1
108	0970461166	C	CONTROL	RH SCREED ( <i>See Form 24414-24415</i> )	1
109	07383004		CAPSCREW	1/4"NC X 3/4"	8
110	07014001		WASHER	1/4" LOCK	8
111	07012023		HEX NUT	1/4" NC	8
114	0970458481	A	MOUNT	LH SCREED CONTROL	1
115	0970458482	A	MOUNT	RH SCREED CONTROL	1
116	07383004		CAPSCREW	1/4"NC X 3/4"	4
117	07014001		WASHER	1/4" LOCK	4
120	0970461169	B	CONTROL	LH REMOTE ( <i>See Form 24416</i> )	1
121	0970461170	B	CONTROL	RH REMOTE ( <i>See Form 24417</i> )	1

NOTE: NO ILLUSTRATION AVAILABLE FOR THIS PARTS LIST

**LH Screed Control Box**







CEDARAPIDS

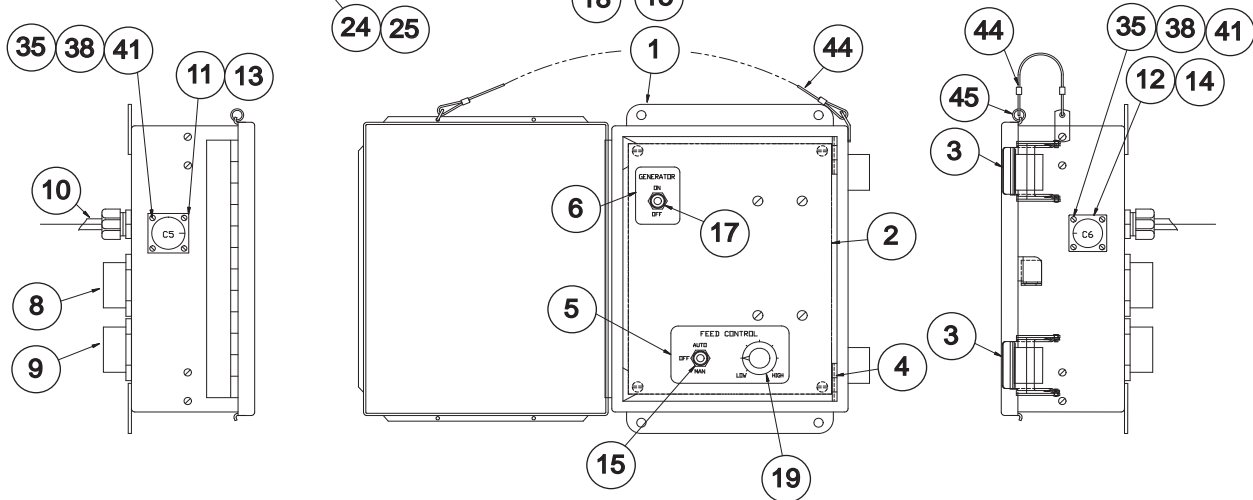
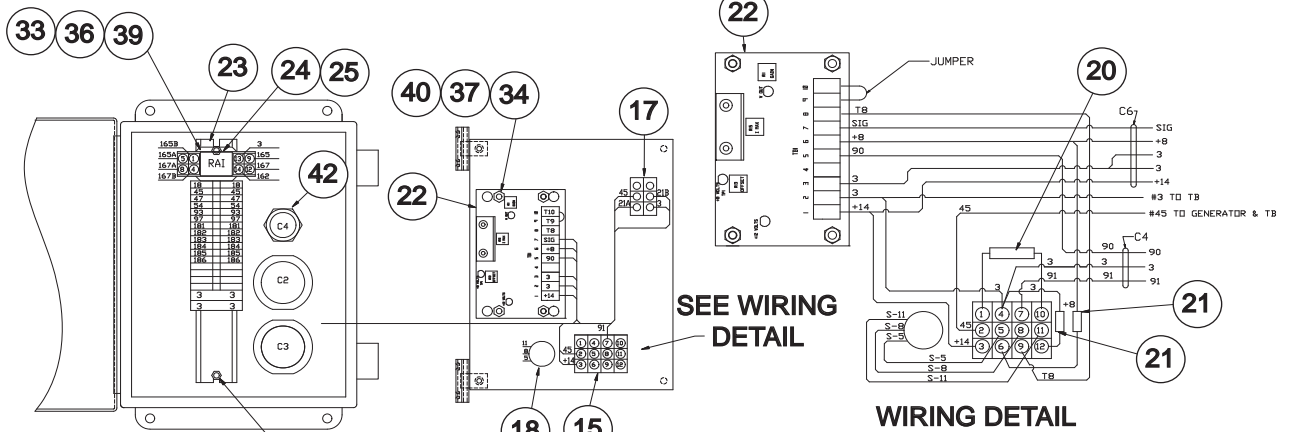
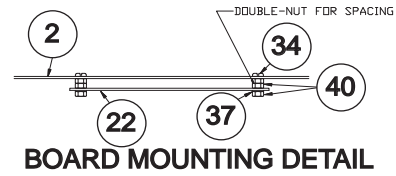
**LH Screed Control Box**Parts List No. 0970461217

Ref. No.	Part Number	Description	Quantity
1	0970461175	Enclosure, Left-Hand Screed Control	1
2	0970461177	Panel, Stretch 16 Component	1
3	4620051417	Clamp, Quick Release	2
4	4620051397	Hinge, Kit	1
5	0449410509	Emblem, Feed Control	1
6	04418850	Emblem, Crown	1
7	0970461710	Cable, Screed Power	1
8	0970461655	Receptacle, Left-Hand Remote	1
9	0970461653	Receptacle, Left-Hand Harness	1
10	0970461711	Cable, Left-Hand Feed	1
11	0970461585	Receptacle, Left-Hand Auto	1
12	0970461661	Receptacle, Left-Hand Feed Sensor	1
13	4606150032	Cap, Chain	1
14	4631300227	Cover, Cap and Chain	1
15	4620000961	Switch, Toggle 4P	1
16	4620000921	Switch, Toggle	1
18	4606110031	Potentiometer, 200 OHM 2.25w	1
19	460615501101	Control Dial	1
20	No Part No.	Resistor, 100 Ohm 5W	1
21	No Part No.	Resistor, 56 Ohm 1/2W	2
22	4606110022	Circuit Board, Feed Control	1
23	4605050709	Rail, Din 35MM x 7.5MM	0.7 ft
24	4601500148	Socket, DPDT Din Rail	1
25	4632500250	Relay, DPDT 12v DC, 10 AMP	1
33	07504050	Screw, #8-32 x 3/8", Binding Head	2
34	07504037	Screw, #6-32 x 1/2", Binding Head	4
35	07504007	Screw, #4-40 x 1/2", Binding Head	8
36	07438022	Washer, #8 SHKP LK SINT	2
37	07438021	Washer, #6 SHKP LK SINT	4
38	07438019	Washer, #4 SHKP LK SINT	8
39	07440008	Hex Nut, #8 NC	2
40	07440007	Hex Nut, #6 NC	12
41	07440005	Hex Nut, #4 NC	8
42	4602601601	Locknut, 1/2"	1
44	4620051424	Lanyard, Nylon Coated	1
45	4620051423	Ring, Split	1



CEDARAPIDS

RH Screed Control Box





CEDARAPIDS

**RH Screed Control Box**Parts List No. 0970461166

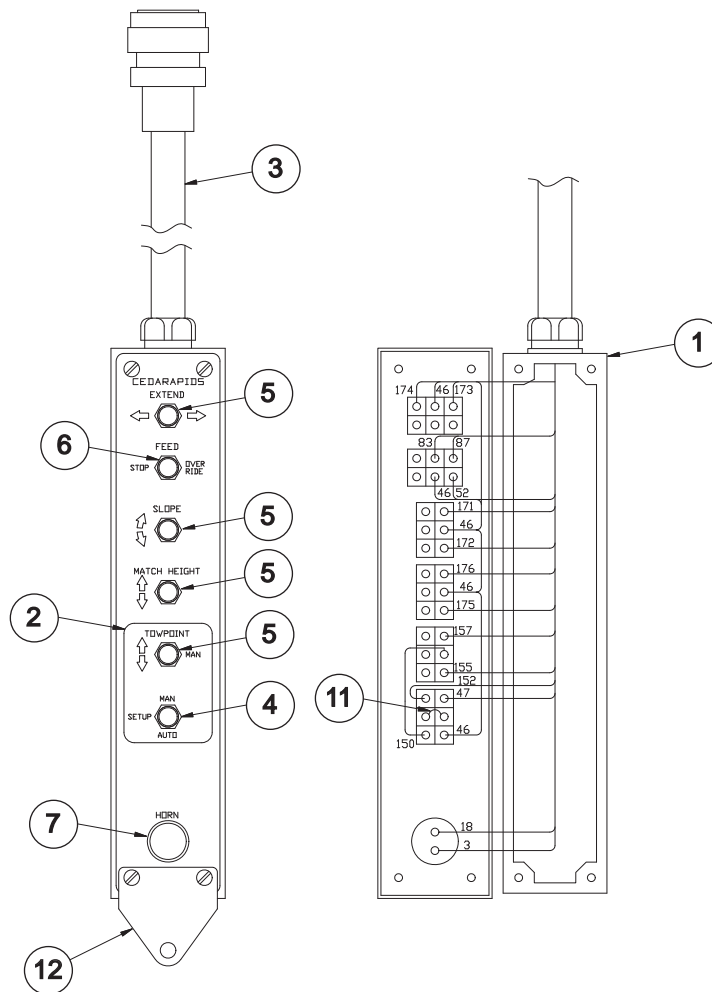
Ref. No.	Part Number	Description	Quantity
1	0970461176	Enclosure, Right-Hand Screed Control	1
2	0970461177	Panel, Stretch 16 Component	1
3	4620051417	Clamp, Quick Release	2
4	4620051397	Hinge, Kit	1
5	0449410509	Emblem, Feed Control	1
6	04418878	Emblem, Generator	1
8	0970461656	Receptacle, Right-Hand Remote	1
9	0970461654	Receptacle, Right-Hand Harness	1
10	0970461658	Cable, Right-Hand Feed	1
11	0970461586	Receptacle, Right-Hand Auto	1
12	0970461660	Receptacle, Right-Hand Feed Sensor	1
13	4606150032	Cap, Chain	1
14	4631300227	Cover, Cap and Chain	1
15	4620000961	Switch, Toggle 4P	1
17	4620000918	Switch, Toggle	1
18	4606110031	Potentiometer, 200 OHM 2.25w	1
19	460615501101	Control Dial	1
20	No Part No.	Resistor, 100 Ohm 5W	1
21	No Part No.	Resistor, 56 Ohm 1/2W	2
22	4606110022	Circuit Board, Feed Control	1
23	4605050709	Rail, Din 35MM x 7.5MM	0.7 ft
24	4601500148	Socket, DPDT Din Rail	1
25	4632500250	Relay, DPDT 12v DC, 10 AMP	1
33	07504050	Screw, #8-32 x 3/8", Binding Head	2
34	07504037	Screw, #6-32 x 1/2", Binding Head	4
35	07504007	Screw, #4-40 x 1/2", Binding Head	8
36	07438022	Washer, #8 SHKP LK SINT	2
37	07438021	Washer, #6 SHKP LK SINT	4
38	07438019	Washer, #4 SHKP LK SINT	8
39	07440008	Hex Nut, #8 NC	2
40	07440007	Hex Nut, #6 NC	12
41	07440005	Hex Nut, #4 NC	8
42	4602601601	Locknut, 1/2"	1
44	4620051424	Lanyard, Nylon Coated	1
45	4620051423	Ring, Split	1



CEDARAPIDS

LH Screed Remote Control Box

Parts List No. 0970461169



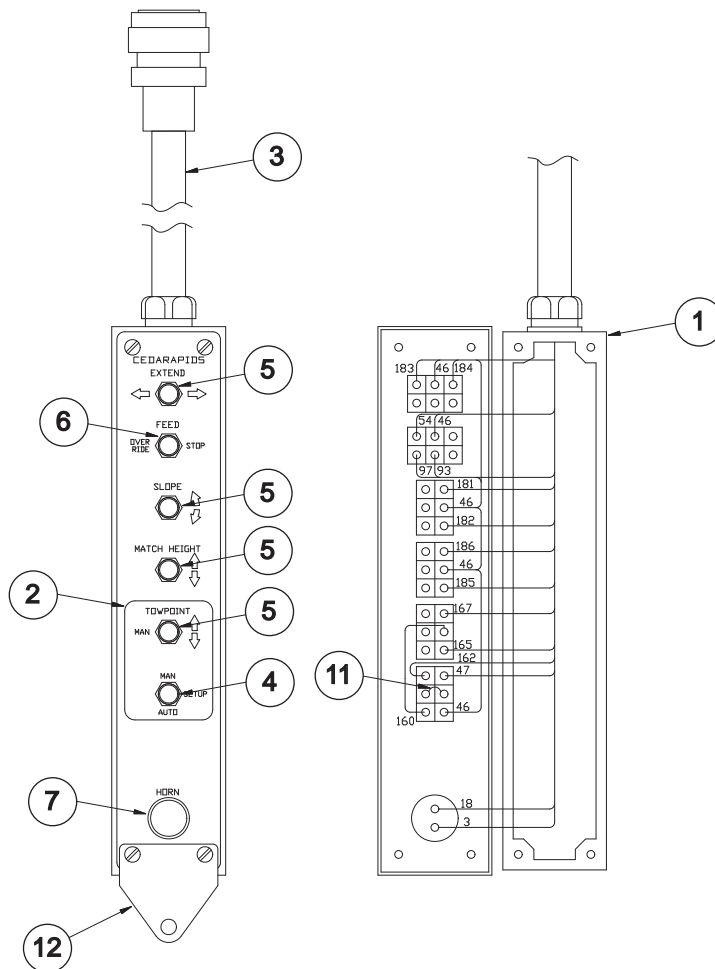
Ref. No.	Part Number	Description	Quantity
1	0970461133	Box, Extension	1
2	0449410507	Emblem, Left-Hand Control	1
3	0970461651	Cable, Left-Hand Control	1
4	4620000944	Toggle Switch	1
5	4620000921	Toggle Switch	4
6	4620000951	Toggle Switch	1
7	4620001007	Switch, Pushbutton with Cover	1
11	4626050103	Jumper, Terminal Block	1
12	0970458666	Tab, Padlock	1



CEDARAPIDS

RH Screed Remote Control Box

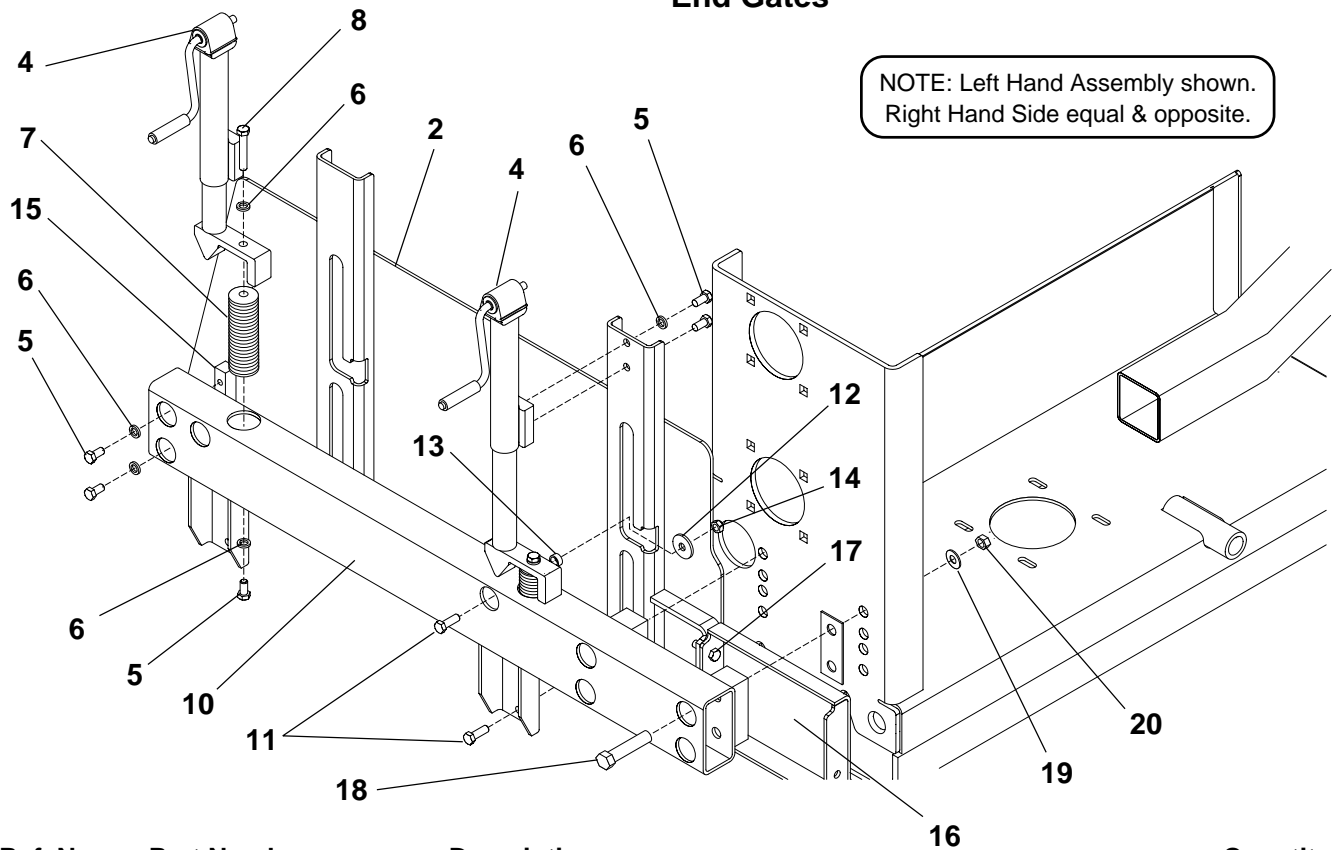
Parts List No. 0970461170



Ref. No.	Part Number	Description	Quantity
1	0970461133	Box, Extension	1
2	0449410508	Emblem, Left-Hand Control	1
3	0970461652	Cable, Left-Hand Control	1
4	4620000944	Toggle Switch	1
5	4620000921	Toggle Switch	4
6	4620000951	Toggle Switch	1
7	4620001007	Switch, Pushbutton with Cover	1
11	4626050103	Jumper, Terminal Block	1
12	0970458666	Tab, Padlock	1

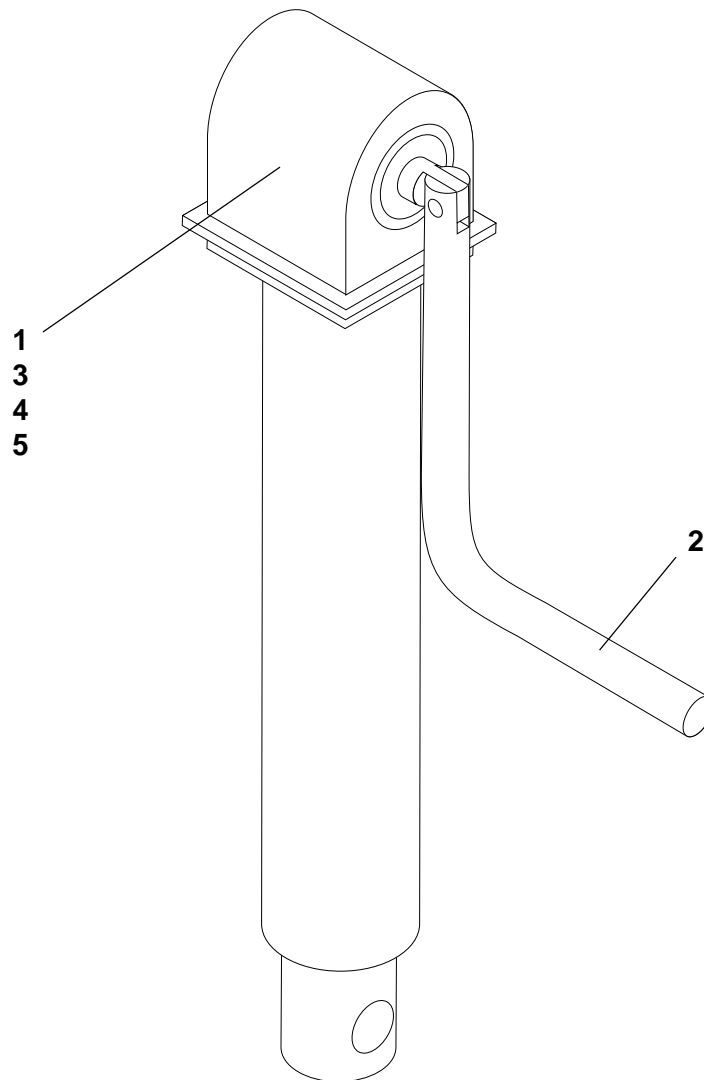


**End Gates**



Ref. No.	Part Number	Description	Quantity
-	9704-584-07	End Gate Kit - Complete	-
1	9704-574-24	End Gate, Right Hand (Not Shown)	1
2	9704-574-25	End Gate, Left Hand	1
3	9704-577-78	Jack, Right Hand (Not Shown)	2
4	9704-577-77	Jack, Left Hand	2
	45500-033-77	Jack, Side Wide (Per Jack) - See Form 22297	1
	9704-574-47	Mount, Jack - Quantity for One Jack	1
	9704-574-48	Block, Spring - Quantity for One Jack	1
5	7383-068	Capscrew, 1/2" NC x 1"	16
6	7014-005	Lockwasher, 1/2"	20
7	9704-574-37	Spring	4
8	7285-005	Adjusting Bolt, 1/2" NC x 3"	4
9	9704-574-26	Support, End Gate - Right Hand (Not Shown)	1
10	9704-574-27	Support, End Gate - Left Hand	1
11	7383-070	Capscrew, 1/2" NC x 1-1/2"	8
12	9700-459	Washer	8
13	9704-555-07	Spacer, Standoff	8
14	45890-102-28	Locknut, 1/2"	8
15	9704-574-38	Retainer, Block	2
16	9704-577-91	Bracket, Bleed Out	2
17	{ 7383-071	Capscrew, 1/2" NC x 1-3/4"	4
	{ 7014-005	Lockwasher, 1/2"	4
	{ 7012-027	Hex Nut, 1/2" NC	4
18	7383-125	Capscrew, 3/4" NC x 3-3/4"	8
19	7014-023	Washer, 3/4"	8
20	45890-102-26	Hex Nut, 3/4" Self Locking	8
21	4418-823	Emblem, End Gate (Not Shown)	4

**End Gate Jack**



Ref. No.	Part Number	Description	Quantity
	45500-033-77	End Gate Jack - Complete	1
1	45500-033-77-01	Cover Replacement Kit	As Req
2	45500-033-77-02	Handle, Jack	As Req
3	45500-033-77-03	Gear	As Req
4	45500-033-77-04	Roll Pin	As Req
5	45500-033-77-05	Gear Kit	As Req

NOTE: See End Gates parts list for total number of Jacks required.



[Return to Table  
of Contents Page](#)

---

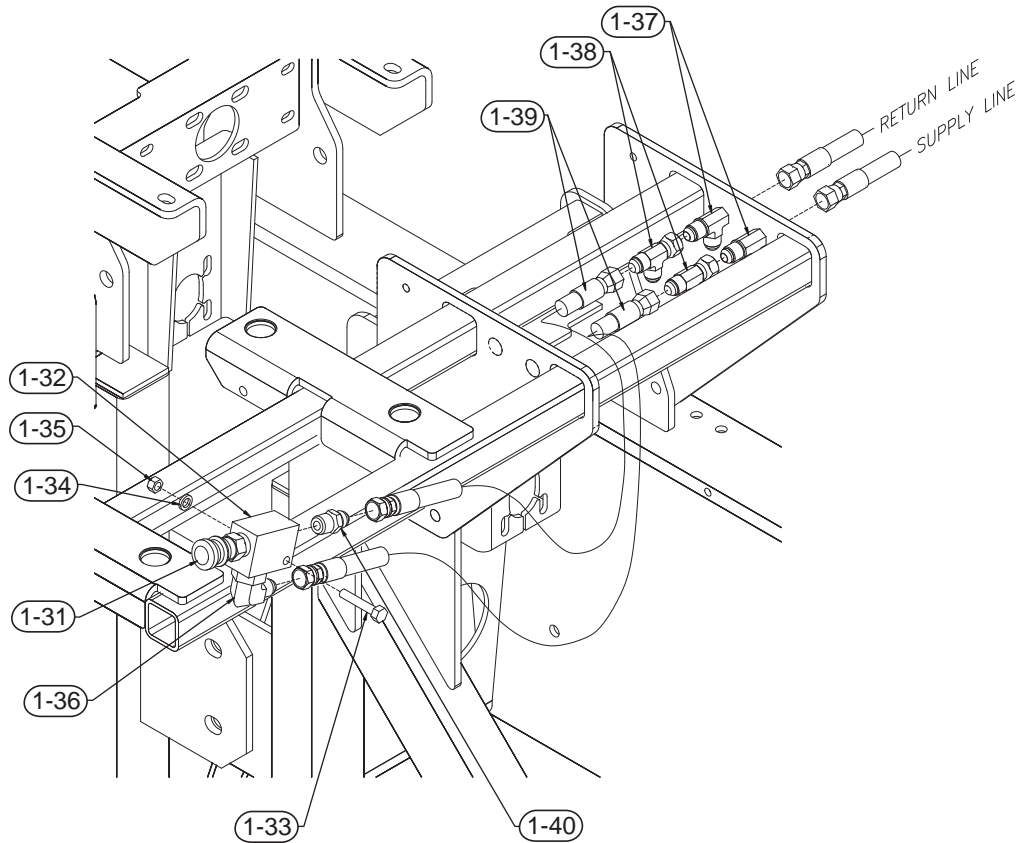
**Table of Contents****Basic Hydraulic Components on Stretch 16 - 05237RBA**

<b>Ref No.</b>	<b>Description</b>	<b>Page No.</b>
<u>1</u>	<u><a href="#">Vibrator Hydraulic Lines Illustration</a></u>	<u>2-3</u>
<u>2</u>	<u><a href="#">Power Function Hydraulics Illustration</a></u>	<u>4-5</u>
<u>3</u>	<u><a href="#">Screed Hydraulic Components Parts List</a></u>	<u>6</u>
<u>4</u>	<u><a href="#">Left Hand Screed Valve Assembly</a></u>	<u>7</u>
<u>5</u>	<u><a href="#">Right Hand Screed Valve Assembly</a></u>	<u>8</u>

Return to Table  
of Contents Page

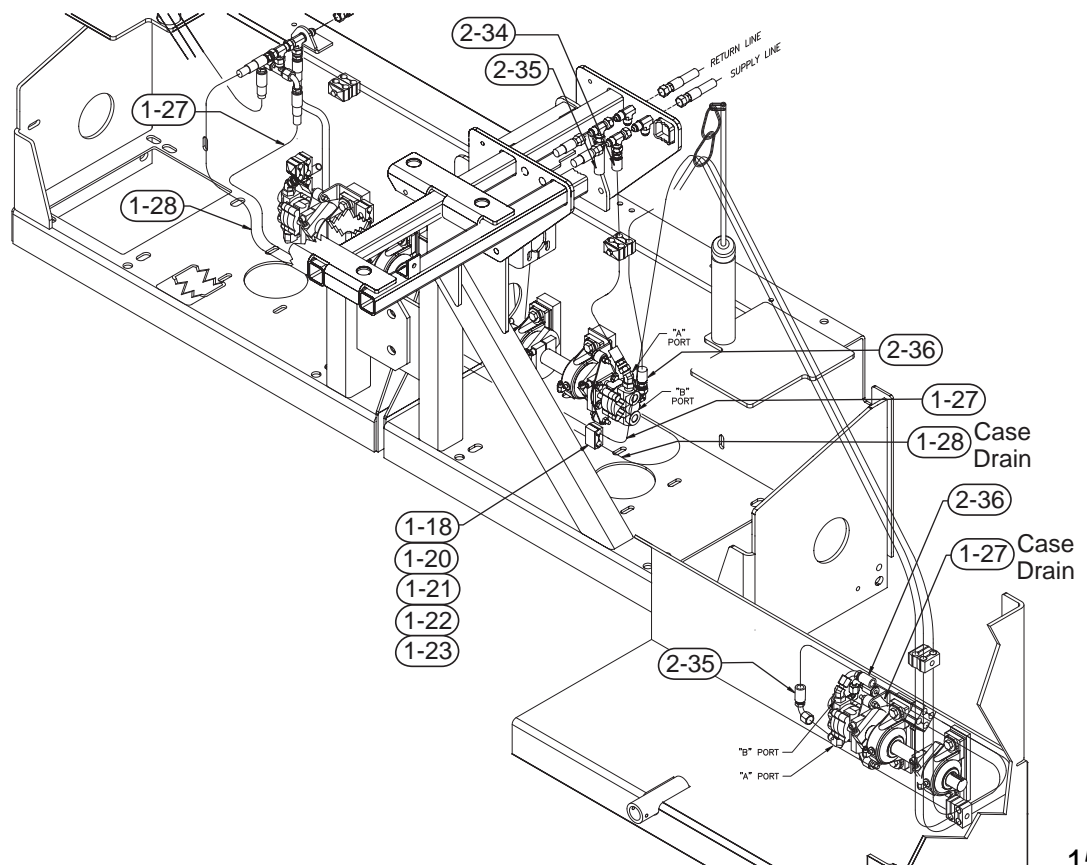
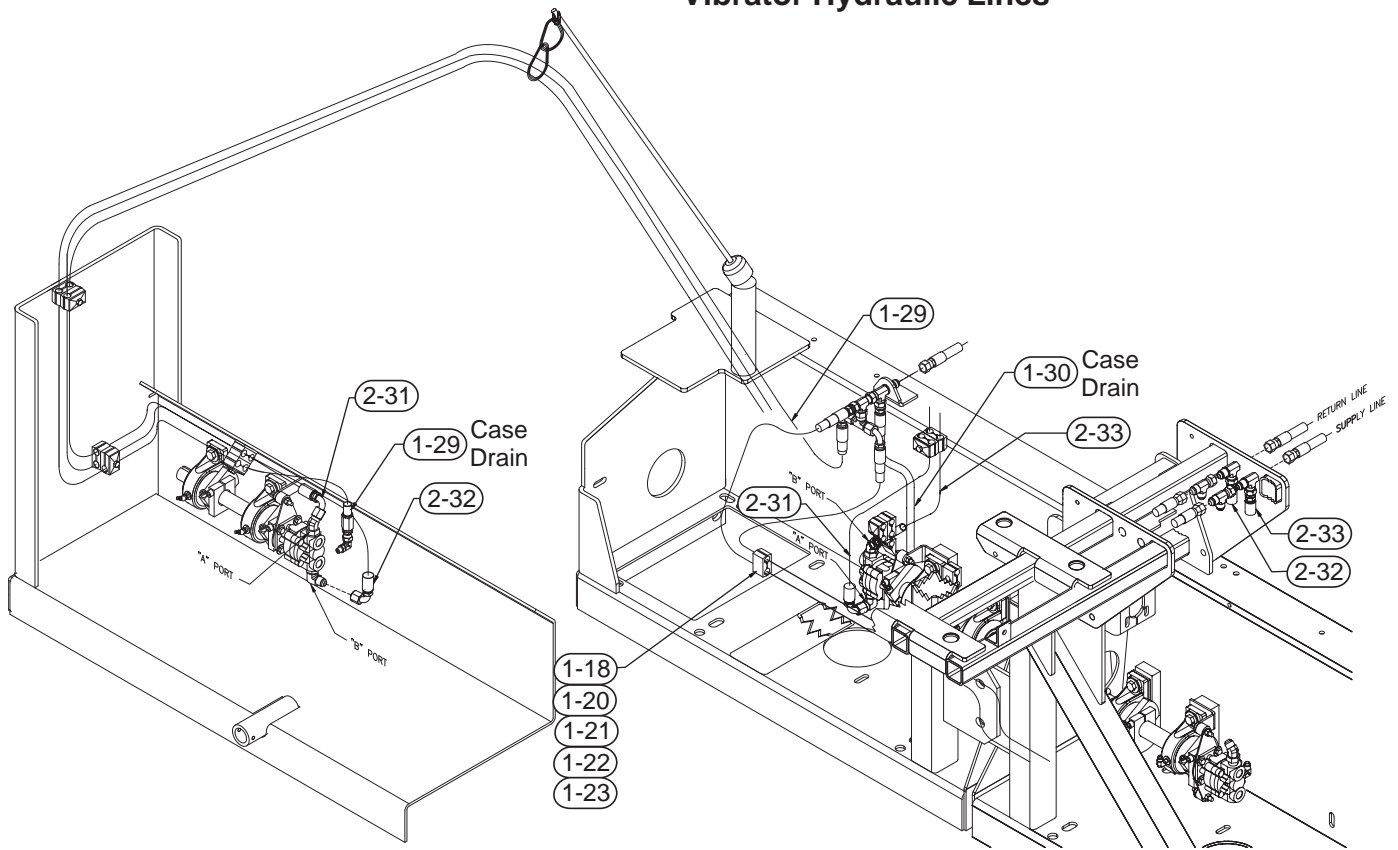


### Vibrator Hydraulic Lines



Return to Table  
of Contents Page

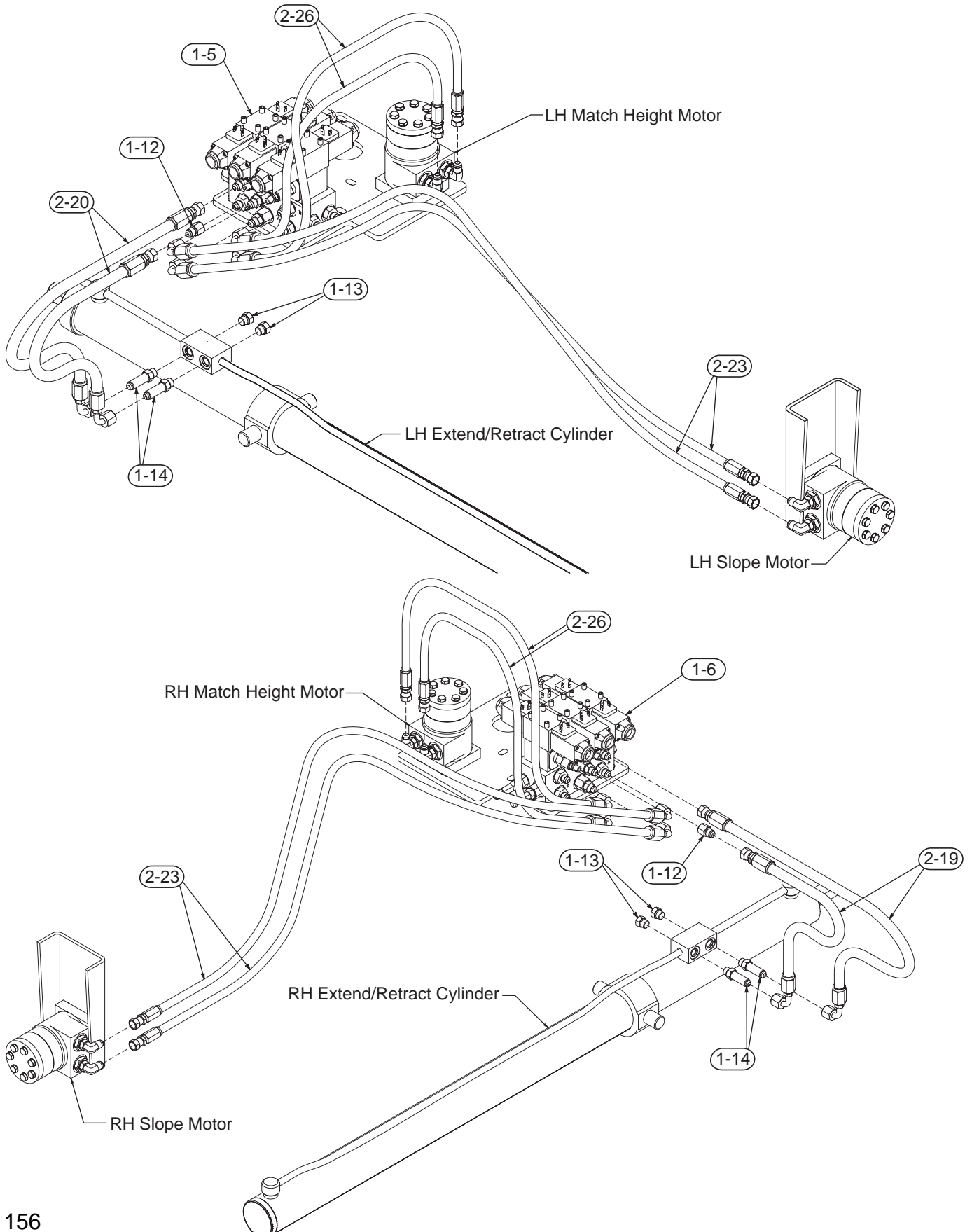
### Vibrator Hydraulic Lines



Return to Table  
of Contents Page

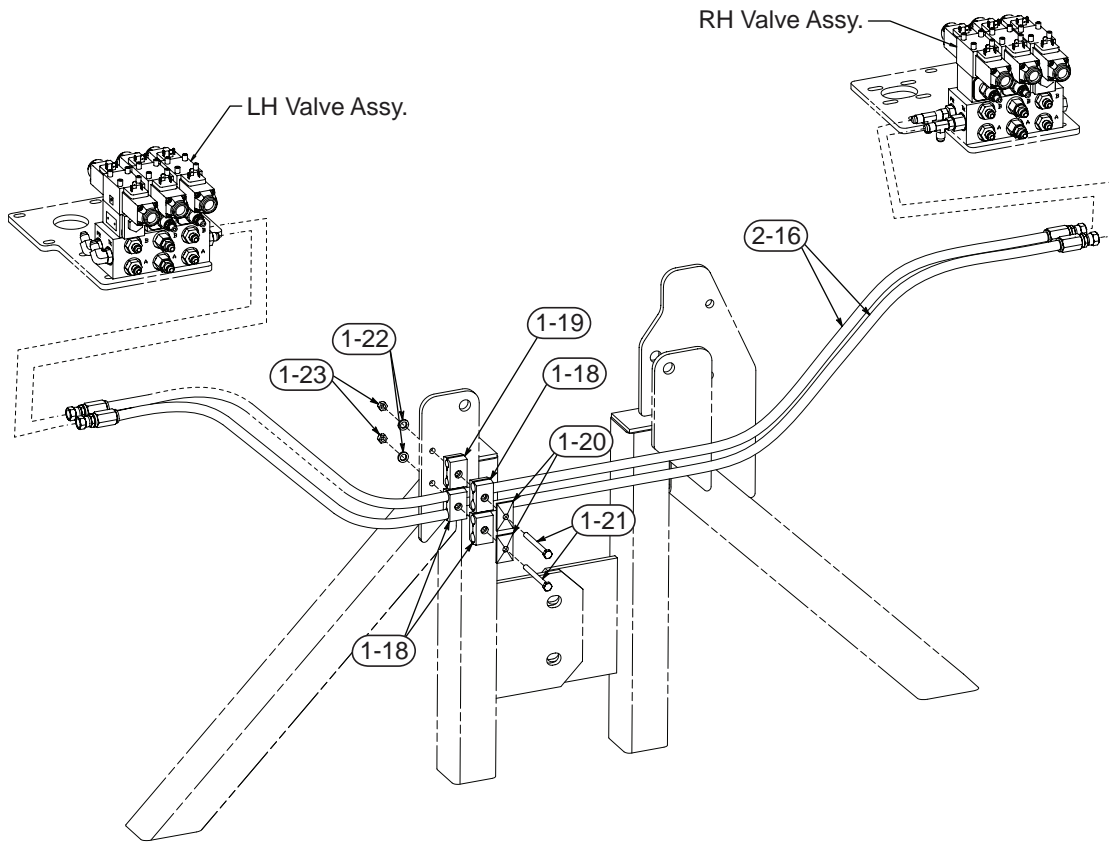


### Power Function Hydraulics



Return to Table  
of Contents Page

**Power Function Hydraulics**



**Return to Table  
of Contents Page**



## Screed Hydraulic Components

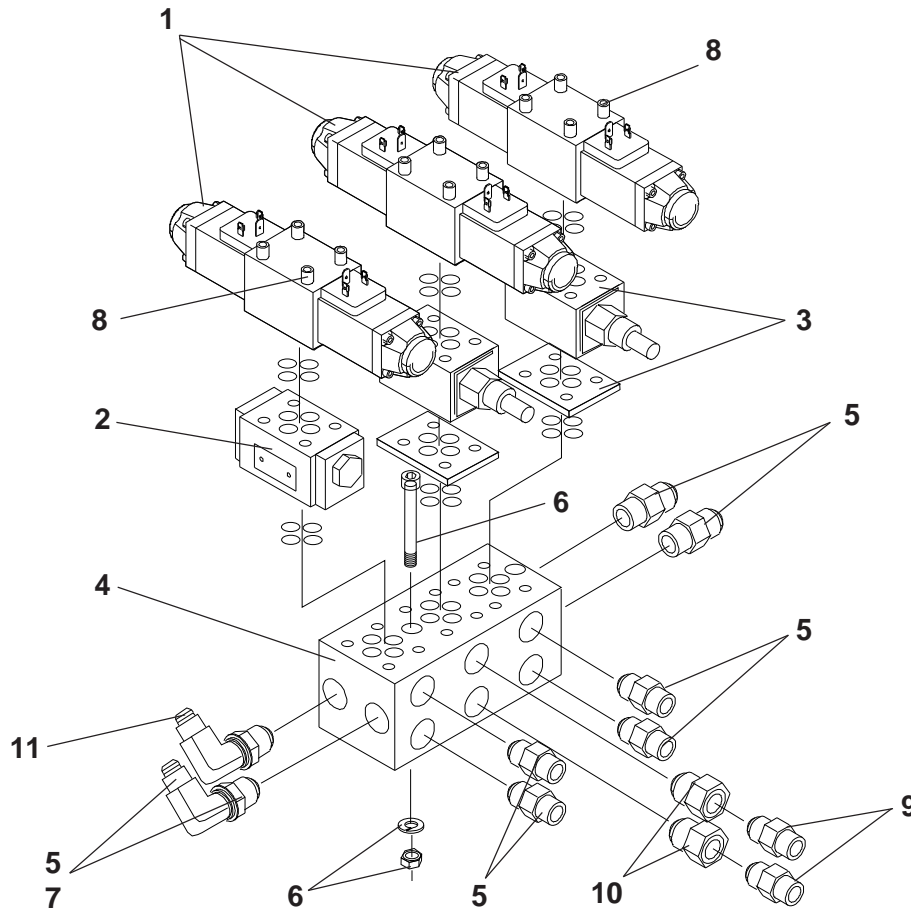
Parts List No. 05237RBA

Ref #	Part Number	REV	Part Name	Description	Qty
105	0970466284	A	LH SCREED VALVE ASSY	(See Form 23551)	1
106	0970466285	A	RH SCREED VALVE ASSY	(See Form 23552)	1
112	4525901203	A	FITTING	ORIFICE 5/64" DIA	2
113	07430381		PLUG	3/8"SAE	4
114	4572077603	-	ADAPTER	3/8" SAE X 3/8" J	4
118	4508052924	-	CLAMP HALF	FOR 5/8" TUBE	10
119	4508052923	-	CLAMP HALF	FOR 1/2" TUBE	2
120	4508052926	-	PLATE	COVER FOR CLAMP	4
121	07383031		CAPSCREW	5/16"NC X 3-1/4	4
122	07014002		WASHER	5/16" LOCK	4
123	07012024		HEXNUT	5/16" NC	4
127	076512003501		HOSE ASSY	1/2" X 200"	1
128	076510783301		HOSE ASSY	1/2" X 78"	1
129	076511613501		HOSE ASSY	1/2" X 161"	1
130	076510183301		HOSE ASSY		1
131	4525200713	-	VALVE	ORIFICE	1
132	4525200460	A	BODY	LINE MOUNTED	1
133	07383043		CAPSCREW	3/8"NC X 2-1/4"	1
134	07014003		WASHER	3/8" LOCK	1
135	07012025		HEXNUT	3/8" NC	1
136	07430278		ELBOW	#8SAEM X #8JICM 90D	1
137	07430437		TEE	#8 RUN BULKHD	2
138	07430345		TEE	1/2" JIC SWIVEL NUT	2
139	0765203533		HOSE ASSY	1/2" IS X 35"	2
140	07430255		CONNECTOR	#8MSAE X #8MJIC	1
216	0765107033		HOSE ASSY	3/8 ID X 70"	2
219	0765102435		HOSE ASSY	3/8" I.D. X 24"	2
220	0765101835		HOSE ASSY		2
223	076500503501		HOSE ASSY		4
226	076500243501		HOSE ASSY	1/4" ID X 24"	4
231	076511813501		HOSE ASSY		1
232	076512203501		HOSE ASSY		1
233	076510943302		HOSE ASSY		1
234	076510293301		HOSE ASSY		1
235	076511633501		HOSE ASSY		1
236	076511753501		HOSE ASSY		1

**Return to Table  
of Contents Page**



**Valve Assembly  
Left Hand Screenshot**

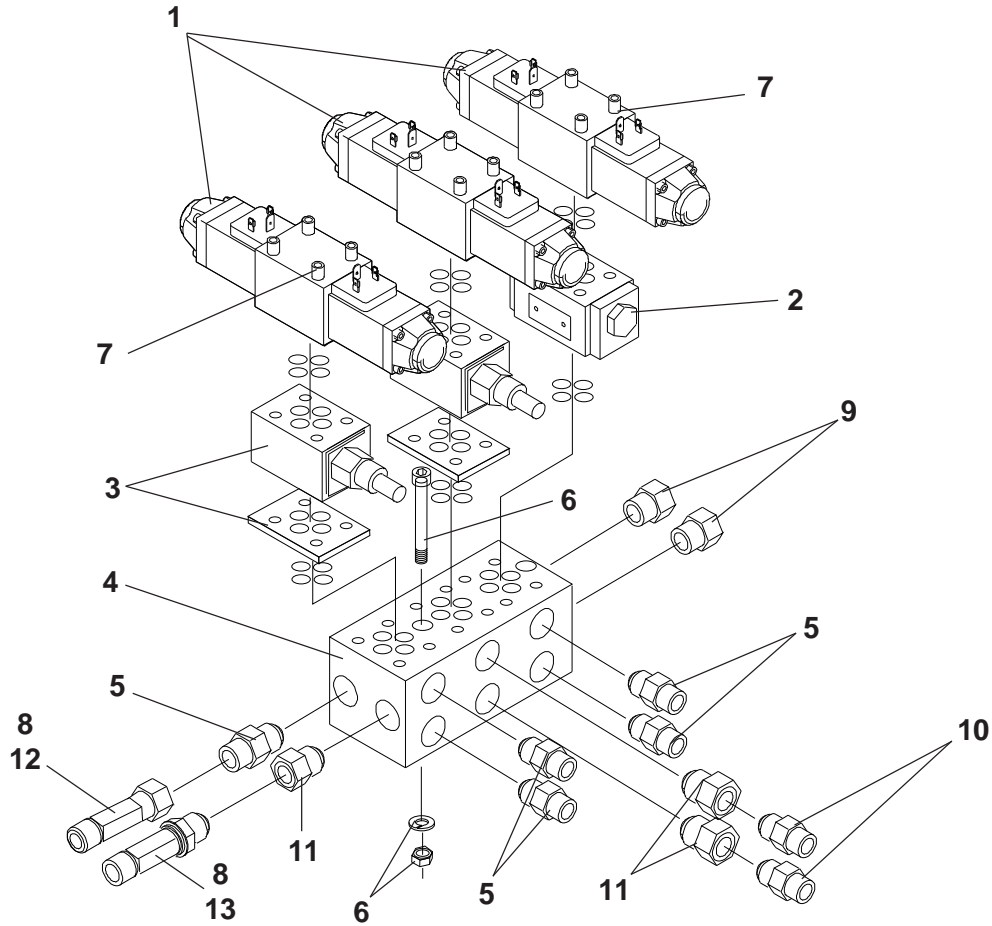


Ref. No.	Part Number	Description	Quantity	
	9704-662-84	Valve Assembly - Complete	-	
1	45252-005-53	Valve, Solenoid	3	
2	45252-014-10	Valve, Holding	1	
3	45252-007-39	Valve, Needle - Includes Plates & O-Rings	2	
4	45252-501-14	Block, Valve	1	
5	7430-253	Connector, 3/4" x 3/8" - with O-Ring	7	
	45259-518-14	O-Ring, 3/4" (For above fitting)	As Req	
6	7025-088	Capscrew, 5/16" NC x 3" - Sockethead	2	
		7014-002	Lockwasher, 5/16"	2
		7012-024	Hex Nut, 5/16" NC	2
7	7430-383	Elbow, 3/8" 90° Swivel	1	
8	9704-661-98	Bolt Kit (Includes Studs & Nuts)	3	
9	7430-252	Connector, 9/16" x 3/8" - with O-Ring	2	
	45259-508-13	O-Ring, 9/16" (For above fitting)	As Req	
10	45720-775-55	Reducer, 3/4" x 9/16"	2	
11	7430-276	Elbow, 90° 3/4" x 3/8" - with O-Ring	2	
		45259-508-14	O-Ring, 3/4" (For above fitting)	As Req

**Return to Table of Contents Page**



**Valve Assembly  
Right Hand Sreed**



Ref. No.	Part Number	Description	Quantity
	9704-662-85	Valve Assembly - Complete	
1	45252-005-53	Valve, Solenoid	3
2	45252-014-10	Valve, Holding	1
3	45252-007-39	Valve, Needle - Includes Plates & O-Rings	2
4	45252-501-14	Block, Valve	1
5	7430-253	Connector, 3/4" x 3/8" - with O-Ring	5
	45259-518-14	O-Ring, 3/4" (For above fitting)	As Req
6	7025-088	Capscrew, 5/16" NC x 3" - Sockethead	2
	7014-002	Lockwasher, 5/16"	2
	7012-024	Hex Nut, 5/16"	2
7	9704-661-98	Bolt Kit (Includes Studs & Nuts)	3
8	7430-228	Plug, 3/8"	2
9	7430-382	Plug, 3/4" - with O-Ring	2
	45259-518-14	O-Ring, 3/4" (For above fitting)	As Req
10	7430-252	Connector, 9/16" x 3/8" - with O-Ring	2
	45259-508-13	O-Ring, 9/16" (For above fitting)	As Req
11	45720-775-55	Reducer, 3/4" x 9/16"	3
12	7430-344	Tee, 3/8" Swivel Nut - Male Branch	1
13	7430-291	Tee, 3/8" Run - with O-Ring	1
	45259-508-12	O-Ring, 7/16" (for above fotting)	As Req

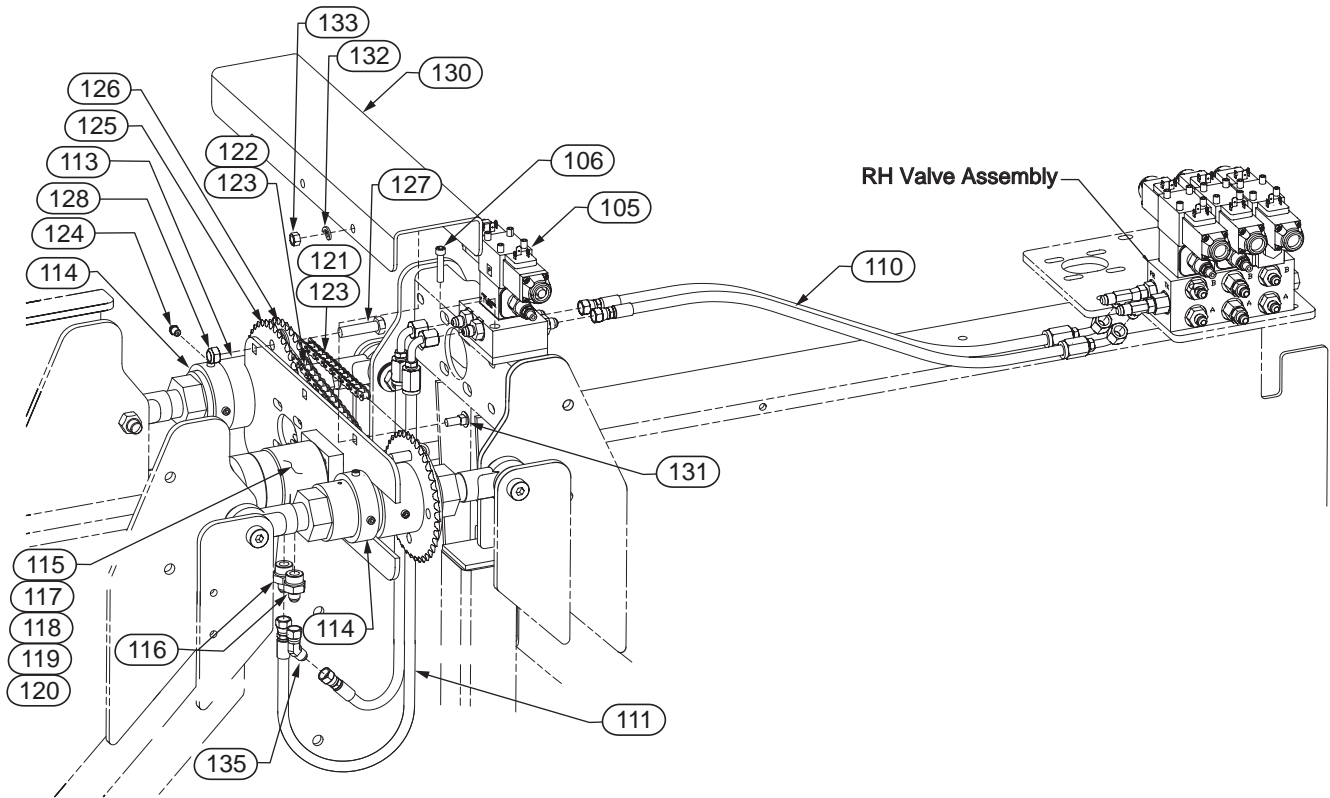


CEDARAPIDS, INC.				PARTS LIST INDEX			
NO.- 05237RHD / /				NO.- 05237RHD / /			
DESCRIPTION - HOSE KIT							
STRETCH 16 ELECTRIC							
BY- OLIVEIRA							
ENG. CHG. NO.		DATE / /		NO. 000000		DATE 07 / 20 / 06	
LN	REV	PART NUMBER	UM	QTY	PTNAME	DESCRIPTION	TYPE
0101							
0102							
0103		0970960018		1	KIT	HOSE KIT - STRETCH 16	4
CEDARAPIDS, INC.				PARTS LIST INDEX			
NO.- 0970960018 / /				NO.- 0970960018 / /			
DESCRIPTION - HOSE KIT - STRETCH 16 ELECT.							
BY- OLIVEIRA							
ENG. CHG. NO.		DATE / /		NO. 000000		DATE 07 / 20 / 06	
LN	REV	PART NUMBER	UM	QTY	PTNAME	DESCRIPTION	TYPE
0101						HOSES ON VIBRATOR P/L	
0102	A	0765001833		1	HOSE ASSY		4
0103	A	076500163301		1	HOSE ASSY	1/4" ID X 16"	4
0104	A	0765002135		2	HOSE ASSY		4
0107						HOSES ON ELECT OVER HYD CNTLS P	
0108	A	076512003501		1	HOSE ASSY	1/2" X 200"	4
0109	A	076510783301		1	HOSE ASSY	1/2" X 78"	4
0110	A	076511613501		1	HOSE ASSY	1/2" X 161"	4
0111	A	076510183301		1	HOSE ASSY		4
0112	A	0765203533		2	HOSE ASSY	1/2" ID X 35"	4
0113	A	0765107033		2	HOSE ASSY	3/8 ID X 70"	4
0114	A	0765102435		2	HOSE ASSY	3/8" I.D. X 24"	4
0115	-	0765101835		2	HOSE ASSY		4
0116	A	076500503501		4	HOSE ASSY		4
0117	A	076500243501		4	HOSE ASSY	1/4" ID X 24"	4
0118	A	076511813501		1	HOSE ASSY		4
0119	A	076512203501		1	HOSE ASSY		4
0120	A	076510943302		1	HOSE ASSY		4
0121	A	076510293301		1	HOSE ASSY		4
0122	A	076511633501		1	HOSE ASSY		4
0123	A	076511753501		1	HOSE ASSY		4
0126						HOSES ON POWER CROWN P/L	
0127	A	076500343502		2	HOSE ASSY		4
0128	A	076500243501		2	HOSE ASSY	1/4" ID X 24"	4
0131						HOSES ON GENERATOR P/L	
0132	-	0767305635		1	HOSE ASSY	3/4" ID X 56"	4
0133	A	0765305435		1	HOSE ASSY		4
0134	A	0765202235		1	HOSE ASSY	1/2" ID X 22"	4
0137						HOSES ON CONNECTING HOSES P/L	
0138	A	0765105533		2	HOSE ASSY		4
0139	A	0765204034		2	HOSE ASSY	1/2" ID X 40"	4
0140	A	076510433501		1	HOSE ASSY	3/8" ID X 43"	4
0143						PARTS TO BE PACKAGED TOGETHER &	
0144						LABELED "09709-600-18 QTY ONE"	



**Power Crown Option**

Parts List No. 05237CAA

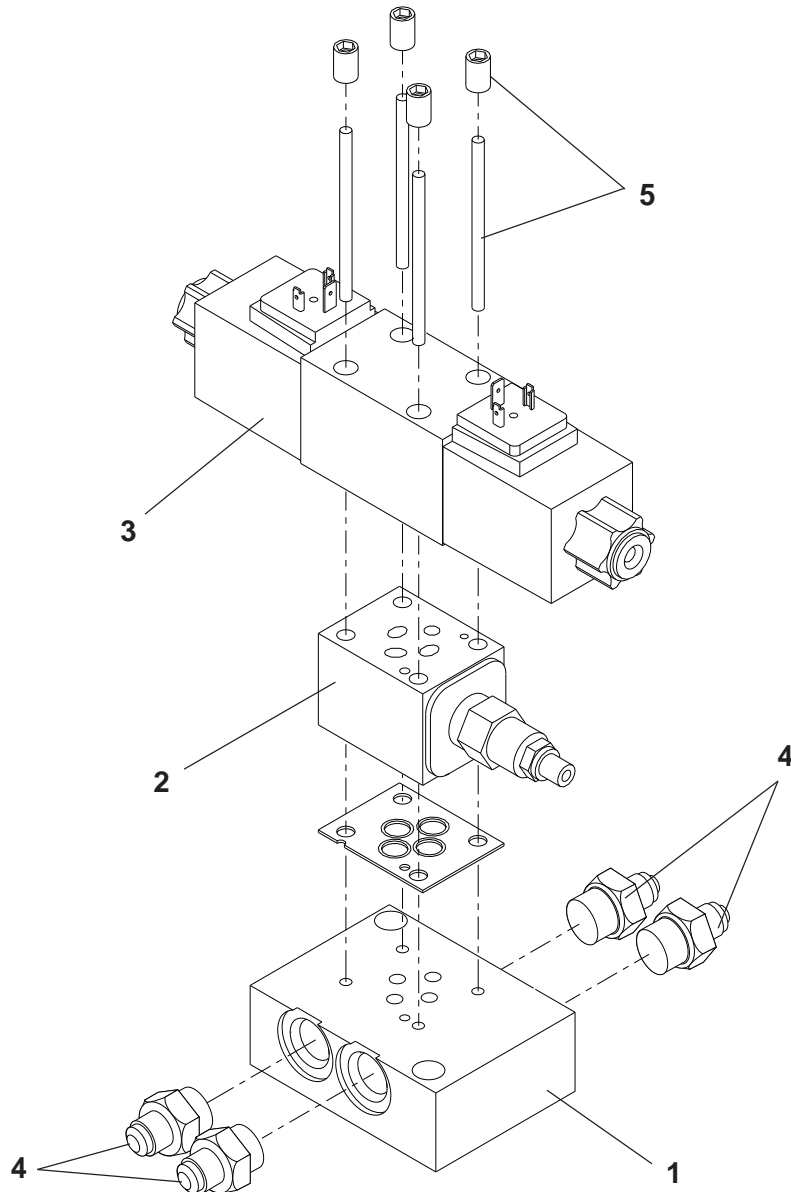


Ref #	Part Number	REV	Part Name	Description	Qty
-	0970457498	A	ASSEMBLY DRAWING	POWER CROWN	REF
105	0970466291	A	VALVE ASSEMBLY	POWER CROWN 8' (See Form 22288)	1
106	07025009		CAPSCREW	SH5/16NCX1-1/2	2
110	076500343502		HOSE ASSY		2
111	076500243501		HOSE ASSY	1/4" ID X 24"	2
113	0970456928	B	MOUNT	POWER CROWN	1
114	0446021401	E	COLLAR	SHAFT 2-7/8"	2
115	4508000601	A	HYDRAULIC MOTOR		1
116	07430373		CONNECTOR	7/8"SAE 3/8"JIC	2
117	07383038		CAPSCREW	3/8" NC X 1"	4
118	07014003		WASHER	3/8" LOCK	4
119	07014018		WASHER	3/8"	4
120	4506500353	A	SPROCKET	16T40 1"BORE W/K	1
121	50005020	-	CHAIN	#40	4.6'
122	50005020	-	CHAIN	#40	3'
123	5000502003	-	LINK	#40 CONNECTOR	2
124	07051001		FITTING	GREASE 1/8" STRGT	1
125	01383A40D	C	SPROCKET	40T40	1
126	07014020		WASHER	1/2"	20
127	07383072		CAPSCREW	1/2"NC X 2"	4
128	4589010228	B	LOCKNUT	1/2"NC	4
130	0970457501		GUARD	POWER CROWN	1
131	07072052		CARR BOLT	3/8"NC X 1"	3
132	07014003		WASHER	3/8" LOCK	3
133	07012025		HEX NUT	3/8" NC	3
135	07430426		ELBOW	#6 X 45 SWIVEL	1 163



**CEDARAPIDS**

**Valve Assembly  
Power Crown**

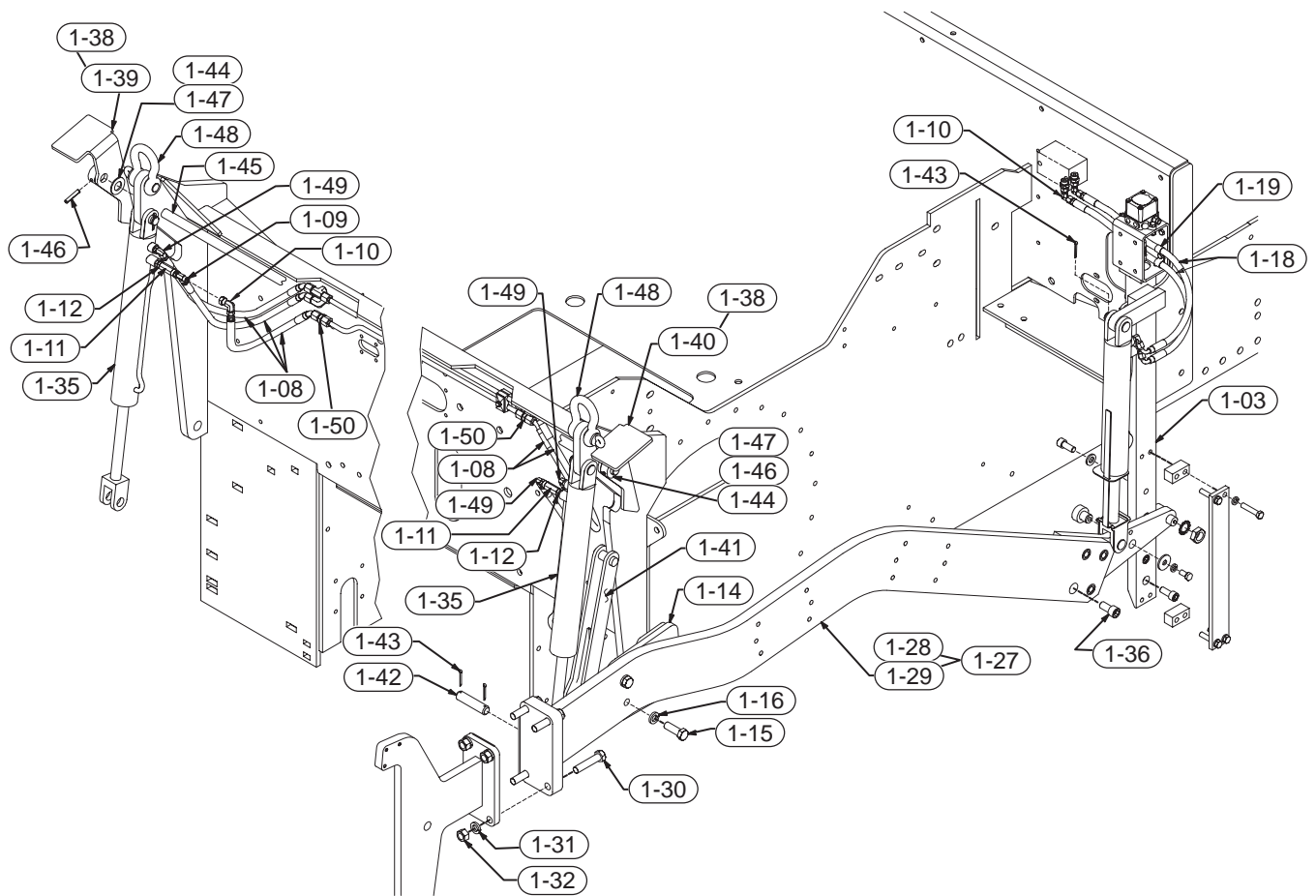


Ref. No.	Part Number	Description	Quantity
	9704-662-91	Valve Assembly, Power Crown - Complete	1
1	45252-501-13	Valve, Base	1
2	45252-007-39	Valve, Needle - with O-Ring	1
	45259-508-08	O-Ring (For above valve)	As Req
3	45252-005-53	Valve, Directional Control	1
4	7430-253	Connector, 3/4" x 3/8" - with O-Ring	4
	45259-508-14	O-Ring, 3/4" (For above fitting)	As Req
5	9704-661-98	Bolt Kit, 2.50" - Complete	1
6	45191-509-28	Caplug (Not Identified on Illustration)	4



CEDARAPIDS

Screed Pull Arms



NOTE: Typical illustration is shown. Appearance and quantity of some items vary depending on application.



## CEDARAPIDS

## Screed Pull Arms

Parts List No. 05210XSL

Ref #	Part Number	Part Name	Description	Qty
1-03	0970890002	SUB-ASSEMBLY	TOW POINT CYL (See Form 24098)	1
1-08	076510293401	HOSE ASSY	3/8" ID X 29"	5
1-09	07430291	TEE	3/8" JIC X 3/8" SAE	1
	4525950812	ORING	7/16" (For Above Fitting)	As Req
1-10	07430383	ELBOW	3/8" SWIVEL NUT	5
1-11	4509000147	VALVE	THROTTLE	2
1-12	4572077622	UNION	#6 SAE O-RING	2
1-14	0970457650	BUFFER	300 PULL ARM	2
1-15	07383119	CAPSCREW	3/4" NC X 2-1/4"	4
1-16	07014009	WASHER	3/4" LOCK	4
1-18	0765103235	HOSE ASSY	3/8" ID X 32"	4
1-19	07509005	CLAMP	11/16"	2
1-27	0970955028	PULL ARM KIT	TRACTOR	1
1-28	0970458349	LH ARM	CR300 PULL ARM	1
1-29	0970458350	RH ARM	CR300 PULL ARM	1
1-30	07383124	CAPSCREW	3/4" NC X 3-1/2	8
1-31	07014009	WASHER	3/4" LOCK	8
1-32	07012030	HEXNUT	3/4" NC	8
1-35	4509000786	HYD CYLINDER	2.5" BORE X 16"	2
	450900078501	SEAL KIT	(For Above Cylinder)	As Req
1-36	07025042	CAPSCREW	3/4" NC X 1-1/2"	8
1-38	0970955023	KIT	SCREED RELEASE LOCK	1
1-39	0970490501	LOCK	LH SCREED RELEASE	1
1-40	0970490502	LOCK	RH SCREED RELEASE	1
1-41	0970490542	LOCK	SCREED LOCK	2
1-42	0970431249	PIN	CYLINDER	2
1-43	07011043	COTTER PIN	3/16" X 1-1/2"	10
1-44	07097017	WASHER	1" SAE	2
1-45	0970490531	ROD	SCREED LOCK RELEASE	1
1-46	07238141	ROLL PIN	3/8" X 2"	2
1-47	4600550304	WASHER	REDUCING	2
1-48	07262020	SHACKLE	3-1/4" X 2-15/16"	2
1-49	07430275	ELBOW	#6 ORING X 3/8" JIC 90 DEGREE	3
	4525950813	ORING	(For Above Fitting)	As Req
1-50	07430385	UNION	1/2"	3

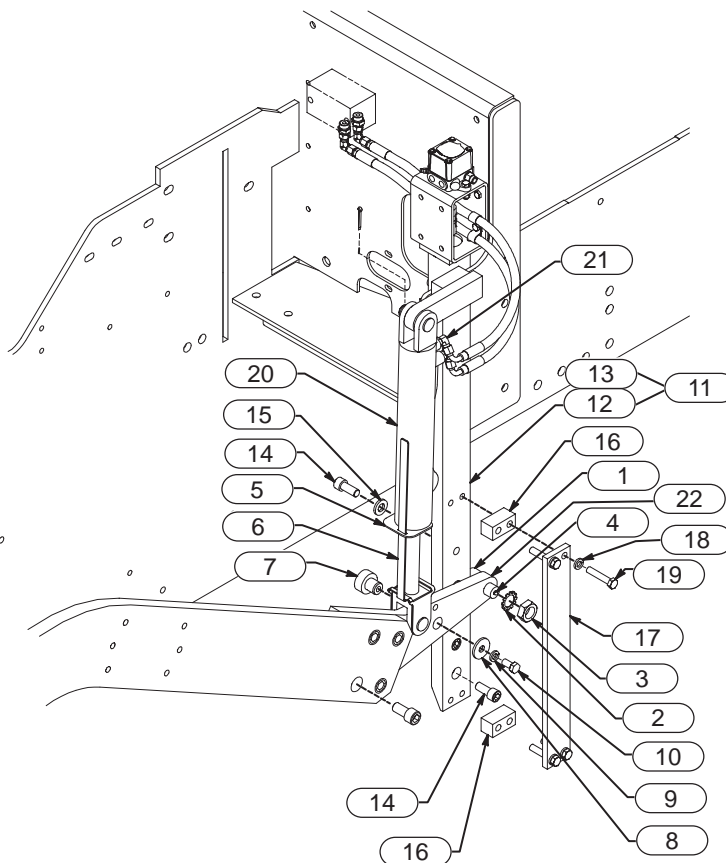


CEDARAPIDS

Sub-Assembly - Tow Point Cylinders

09708-900-02

Note: Right Hand Assembly shown. The Left Hand Side is equal and opposite. Quantities are for both sides.



Ref #	Part Number	Part Name	Description	Qty
1	4513400283	CAM	FOLLOWER 1-3/4" DIA	2
2	07007015	WASHER	1" SHKP LOCK	2
3	07017054	HEXNUT	1" NF JAM	2
4	4524501401	FITTING		2
5	0970490370	INDICATOR	GUIDE	2
6	0970490347	INDICATOR	SLOPE	2
7	0970455722	BUSHING	PULLARM	2
8	09700459	WASHER		2
9	07014005	WASHER	1/2" LOCK	2
10	07394068	CAPSCREW	1/2" NF X 1"	2
11	0970990004	KIT	TOW POINT BRACKET	1
12	0970490635	LHMOUNT	PULLARM	1
13	0970490636	RHMOUNT	PULLARM	1
14	07025032	CAPSCREW	SOC 5/8" NC X 1-1/2"	10
15	07465002	WASHER	5/8" HARDENED FLAT	2
16	0970455128	SPACER	COVER	4
17	0970456046	FLAT	PULL ARM COVER	2
18	07014005	WASHER	1/2" LOCK	8
19	07383074	CAPSCREW	1/2" NC X 2-1/2"	8
20	4509000785	HYDCYLINDER	2.5" BORE X 12"	2
	450900078501	SEAL KIT	(For Above Cylinder)	As Req
21	07430275	ELBOW	#6 ORING X 3/8" JIC 90 DEGREE	4
	4525950813	ORING	(For Above Fitting)	As Req
22	0970457852	PLATE	PULL ARM NOSE	2





[Return to Table of Contents Page](#)

## Table of Contents

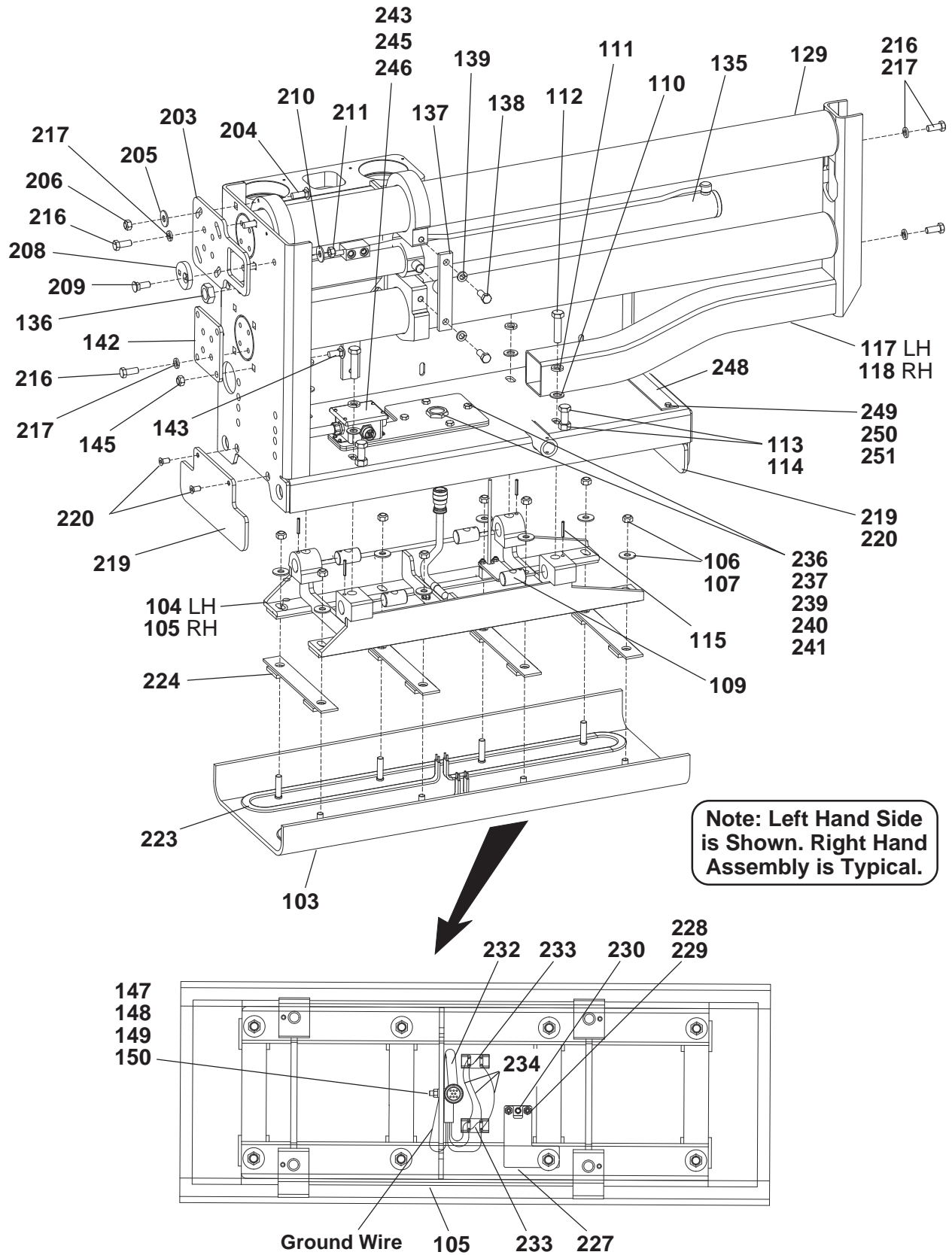
## Rear Extending Screed Components - 05237DAC

Ref No.	Description	Page No.
<a href="#">1</a>	<a href="#">Rear Extending Screed Frame &amp; Bottom - Illustration</a>	<a href="#">2</a>
<a href="#">2</a>	<a href="#">Rear Screed Strike-Off Plates - Illustration</a>	<a href="#">3</a>
<a href="#">3</a>	<a href="#">Rear Extending Screed Frame &amp; Bottom - Parts List</a>	<a href="#">4-5</a>

**Return to Table  
of Contents Page**

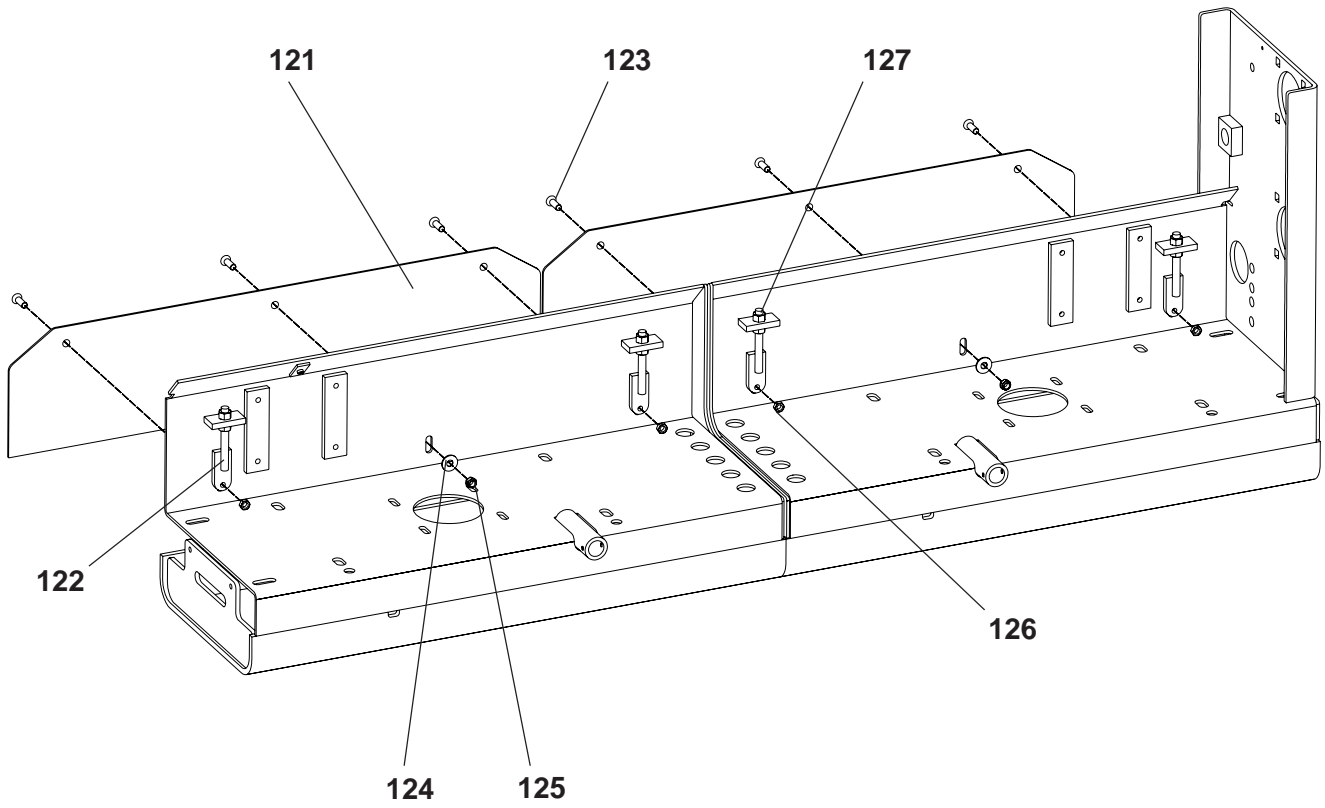


**Rear Extending Screed Frame & Bottom**



**Return to Table  
of Contents Page**

**Rear Screenshot Strike-Off Plates**



**Return to Table  
of Contents Page**



**CEDARAPIDS**

**Rear Extending Screed Frame & Bottom**

Parts List No. 05237DAC

Ref #	Part Number	REV	Part Name	Description	Qty
-	0970458678	A	ASSEMBLY DRAWING	REAR SCREED	REF
103	0970457247	C	PLATE	REAR SCREED S16GR.A	2
104	0970457257		SUB FRAME	LH SCREED BTM	1
105	0970457256		SUB FRAME	RH SCREED BTM	1
106	07014022		WASHER	5/8"	16
107	4589010229	B	LOCKNUT	5/8" NC	16
109	0970457282	A	PIVOT NUT	SUB-FRAME LOCK	8
110	07097015		WASHER	3/4"SAE	8
111	07014009		WASHER	3/4" LOCK	8
112	07383122		CAPSCREW	3/4"NC X 3"	8
113	07153005	A	ADJ BOLT	3/4"NC X 3-1/8"	4
114	07012030		HEX NUT	3/4" NC	4
115	07238116		ROLL PIN	1/4" X 1-3/4"	8
117	0970457337		FRAME	LH SCREED	1
118	0970457336		FRAME	RH SCREED	1
121	0970457338		PLATE	REAR SCREED STRIKE OFF	2
122	0970455434	E	PLATE	ADJUSTING	4
123	07389046		CAPSCREW	SCH1/2NCX1-1/2	6
124	07014020		WASHER	1/2"	2
125	4589010228	B	LOCKNUT	1/2"NC	2
126	07017027		HEX NUT	1/2" NC JAM	4
127	07012029		HEX NUT	5/8" NC	8
129	0970457201	A	TUBE	8-16 EXTENSION	4
135	4509000793	-	HYDRAULIC CYLINDER	2.5" B 48"STRK	2
136	07017056		HEX NUT	1-1/4" NF JAM	4
137	0970455474	E	SUPPORT		2
138	07383100		CAPSCREW	5/8" NC X 1-1/2"	4
139	07014007		WASHER	5/8" LOCK	4
142	0970457378		END CAP		2
143	07072148		CARR BOLT	5/8"NC X 1-1/2"	8
145	4589010229	B	LOCKNUT	5/8" NC	8
147	07509006		CLAMP	3/4"	2
148	07383039		CAPSCREW	3/8"NC X 1-1/4	2
149	07014003		WASHER	3/8" LOCK	2
150	07012025		HEX NUT	3/8" NC	2
203	0970457379		TORQUE CAP		2
204	07072197		CARR BOLT	5/8"NC X 1-3/4"	8
205	07014022		WASHER	5/8"	8
206	4589010229	B	LOCKNUT	5/8" NC	8
208	0970457380		CAM		2
209	07445020		PLOW BOLT	5/8" X 1-3/4"	2

CONTINUED

**Return to Table  
of Contents Page**



**CEDARAPIDS**

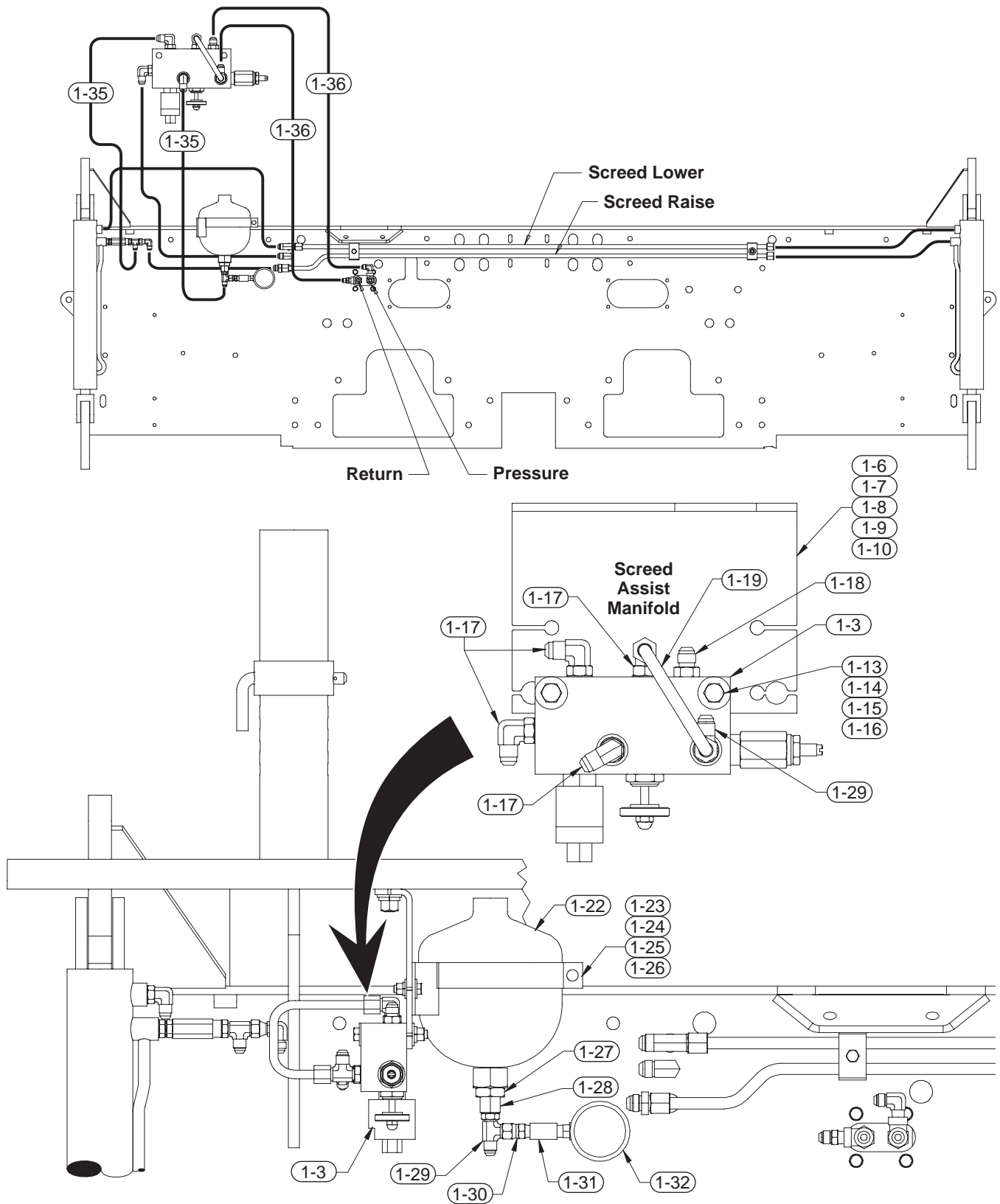
**Rear Extending Screed Frame & Bottom**

Parts List No. 05237DAC

Ref #	Part Number	REV	Part Name	Description	Qty
210	07014022		WASHER	5/8"	2
211	4589010229	B	LOCKNUT	5/8" NC	2
216	07383100		CAPSCREW	5/8" NC X 1-1/2"	32
217	07014007		WASHER	5/8" LOCK	32
219	0970457674	C	PLATE	EXT END PLATE	4
220	07389044		CAPSCREW	SCH 1/2"NC X 1"	4
223	4605500152	A	ELEMENT	HEATING 1800W-208	4
	49999255		HEAT SINK COMPOUND	(Not Shown)	AS REQ
224	0970458451	A	CLAMP	HEATING ELEMENT	8
227	0970458463	A	CLAMP	TEMPERATURE SENSOR	2
228	07131080		SET SCREW	3/8" NC X 1" C	4
229	07017025		HEX NUT	3/8" NC JAM	4
230	4605500307	A	SENSOR	TEMP PT100	2
232	0970461641	B	CABLE	HEATER S20	2
233	0970461639	B	WIRE	4"JUMPER	4
234	0970461667	B		JUMPER-6"	6
236	4602601906	-	NIPPLE	2" CHASE	2
237	4602601606	-	LOCKNUT	2"	2
239	0970458671	-	PLATE	JUNCTION BOX MOUNTING	2
240	07383038		CAPSCREW	3/8" NC X 1"	8
241	07014003		WASHER	3/8" LOCK	8
243	0970461203		BOX	LH EXT. HEAT JCT	1
244	0970461210		BOX	RH EXT HEAT JCT S16E	1
245	07435095		MACH SCREW	#10 NC X 1/2"	8
246	07439003		WASHER	#10 LK	8
248	0970458484	-	COVER	AIR VENT EXT. SCREED	2
249	07383038		CAPSCREW	3/8" NC X 1"	4
250	07014003		WASHER	3/8" LOCK	4
251	07012025		HEX NUT	3/8" NC	4



**Screed Assist Hydraulic System**





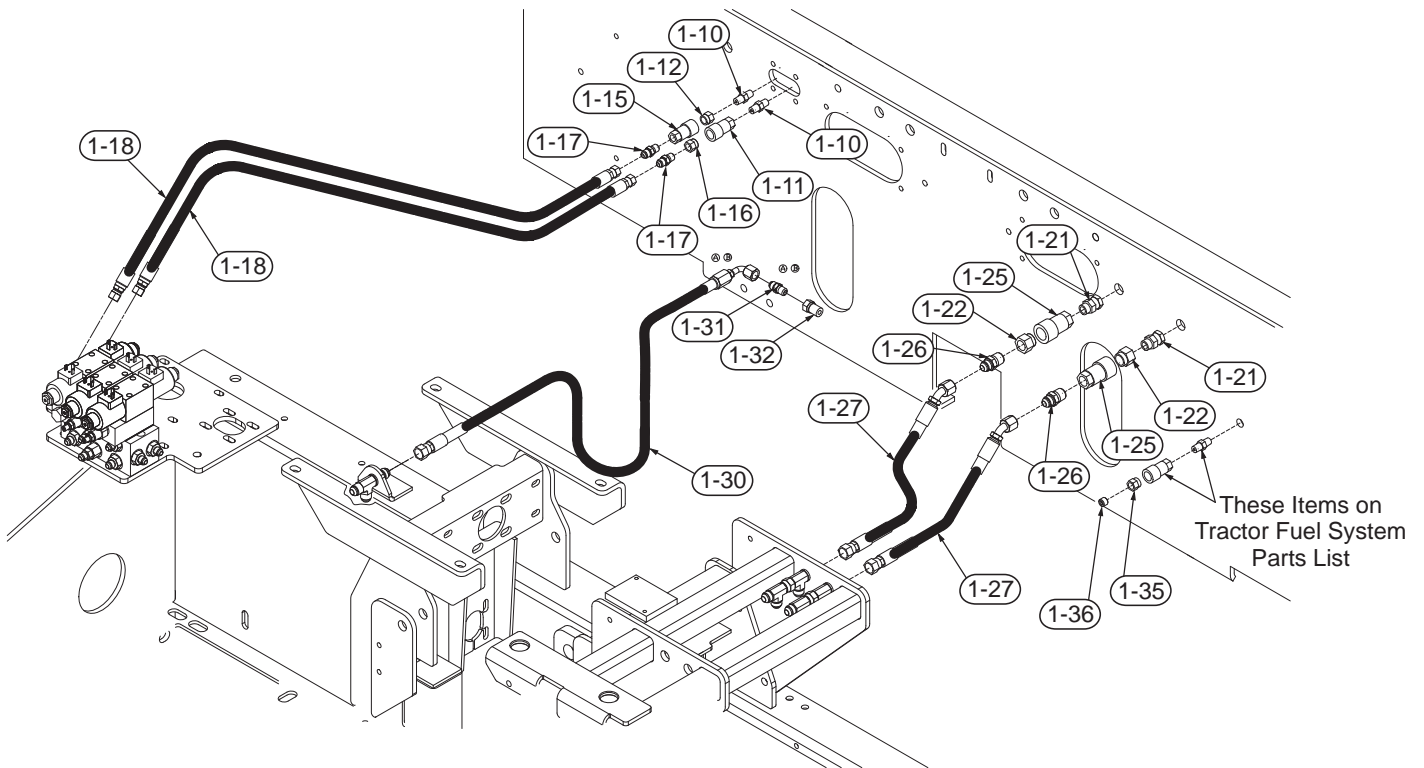
## Screed Assist Hydraulic System

Parts List No: 5032VAK

Ref. No.	Part Number	Description	Quantity
1-3	09704-663-23	Manifold, Screed Assist - Complete	-
	09704-657-18	Manifold, Valve	1
	45252-009-55	Valve, Pressure Reducing	1
	45252-007-29	Valve, Needle	1
	45252-008-27	Valve, Solenoid	1
	45252-008-27-01	Coil, Solenoid	1
1-6	09704-657-39	Bracket, Valve	1
1-7	07383-069	Capscrew, 1/2" NC x 1-1/4"	2
1-8	07012-027	Hex Nut, 1/2" NC	2
1-9	07014-005	Lockwasher, 1/2"	2
1-10	07465-001	Washer, 1/2" Hardened Flat	
1-13	07383-046	Capscrew, 3/8" NC x 3"	2
1-14	07014-003	Lockwasher, 3/8"	2
1-15	07014-018	Washer, 3/8"	4
1-16	07012-025	Hex Nut, 3/8" NC	2
1-17	07430-275	Elbow, 90° 9/16" x 3/8" - with #2-1 O-Ring	4
1-18	07430-252	Connector, 9/16" x 3/8" - with #2-1 O-Ring	1
1-19	09704-657-21	Tube Assembly, Manifold Tank	1
1-22	45085-502-08	Accumulator, 2 Liter	1
1-23	45085-502-08-01	Clamp, Accumulator	1
1-24	07383-022	Capscrew, 5/16" x 1"	2
1-25	07386-002	Hex Nut, 5/16" Nylock	2
1-26	07014-017	Washer, 5/16" Flat	4
1-27	45720-775-12	Reducer, 1-1/16" x 3/4"	1
1-28	45720-775-55	Reducer, 3/4" x 9/16"	1
1-29	07430-291	Tee, 3/8" x 3/8" Run - with #2-2 O-Ring	2
1-30	07430-423	Connector, 1/4" x 3/8"	1
1-31	45720-003-77	Connector, 1/4" Pipe	1
1-32	45865-002-33	Gauge, 0-600 PSI	1
1-35	07651-019-35	Hose Assembly - Valve to Accumulator and Cylinder	2
1-36	07651-052-35	Hose Assembly - Pressure & Return Lines	2
1-39	09704-661-26	Bolt Kit, Screed Assist - Complete (Not Shown)	-
1-40	09704-661-27	Hydraulic Kit, Screed Assist - Complete (Not Shown)	-
2-1	45259-508-13	O-Ring, 9/16" (For Hydraulic Fittings)	As Req
2-2	45259-508-12	O-Ring, 7/16" (For Hydraulic Fittings)	As Req



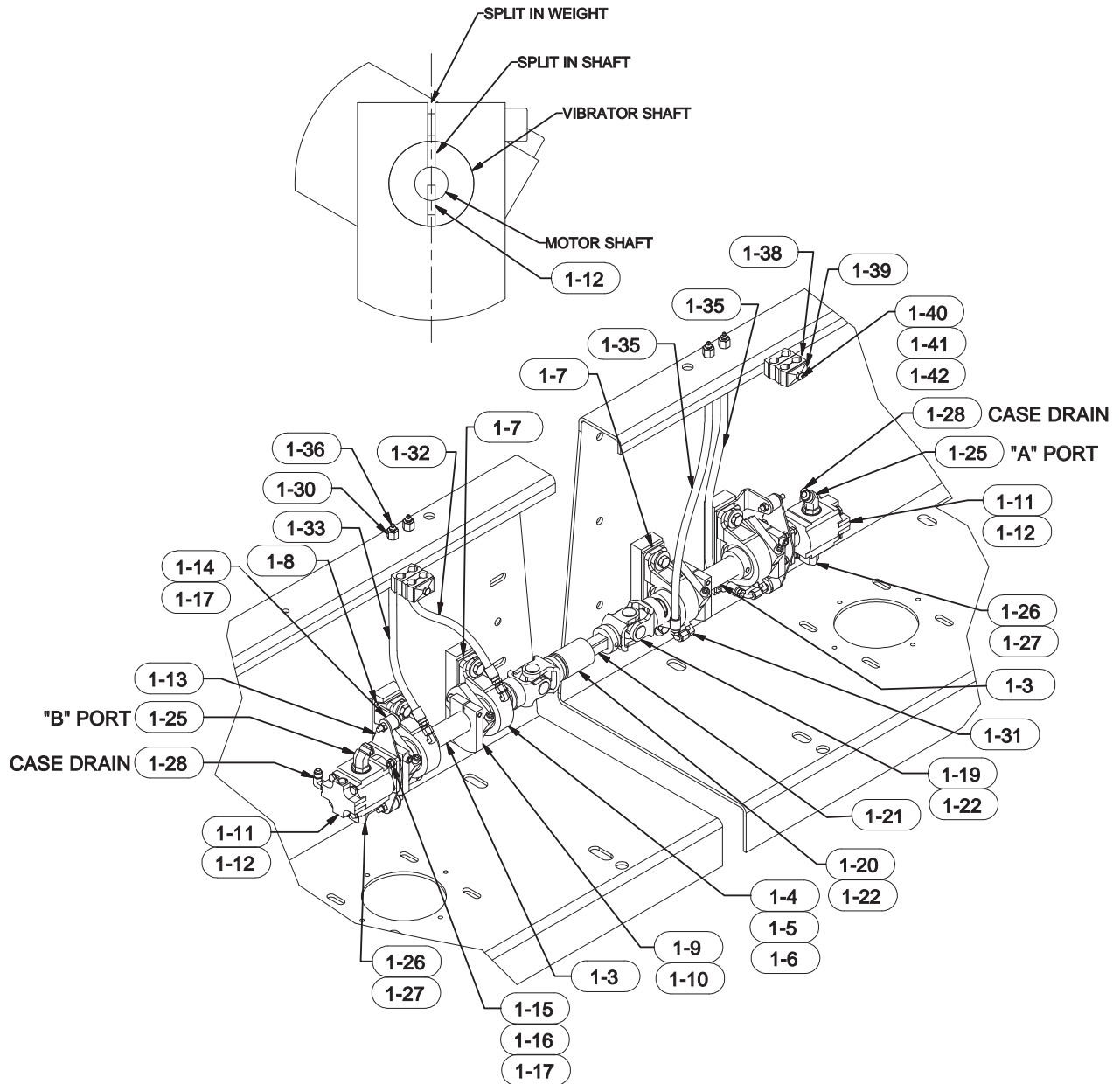
**Paver to Screed Hydraulic Lines**  
Parts List No. 05237RAC



Ref #	Part Number	REV	Part Name	Description	Qty
-	0970459487		ASSEMBLY DRAWING	STRETCH 16E CONNECTING	REF
110	4572077021	-	NIPPLE	1/4" X 1/4"	2
111	451915041401	A	COUPLER	1/4"QD	1
112	451915041402	A	NIPPLE	COUPLING	1
115	451915041401	A	COUPLER	1/4"QD	1
116	451915041402	A	NIPPLE	COUPLING	1
117	07430004		CONNECTOR	1/4"P X #6 JIC	2
118	K765105533		HOSE ASSY	P	2
121	07430413		CONNECTOR	1/2"MPT 1/2"JIC	2
122	4519150401	C	COUPLER	1/2"	1
125	4519150401	C	COUPLER	1/2"	1
126	07430007		CONNECTOR	1/2"NPT-1/2"JIC	2
127	K765204034		HOSE ASSY	1/2" ID X 40"	2
130	K76510433501		HOSE ASSY	3/8" ID X 43"	1
131	07430004		CONNECTOR	1/4"P X #6 JIC	1
132	451915041402	A	NIPPLE	COUPLING	1
135	451915041402	A	NIPPLE	COUPLING	1
136	4525002002		PLUG	1/4" COUNTERSUNK	1



**Hydraulic Vibrators - Base Screenshot**





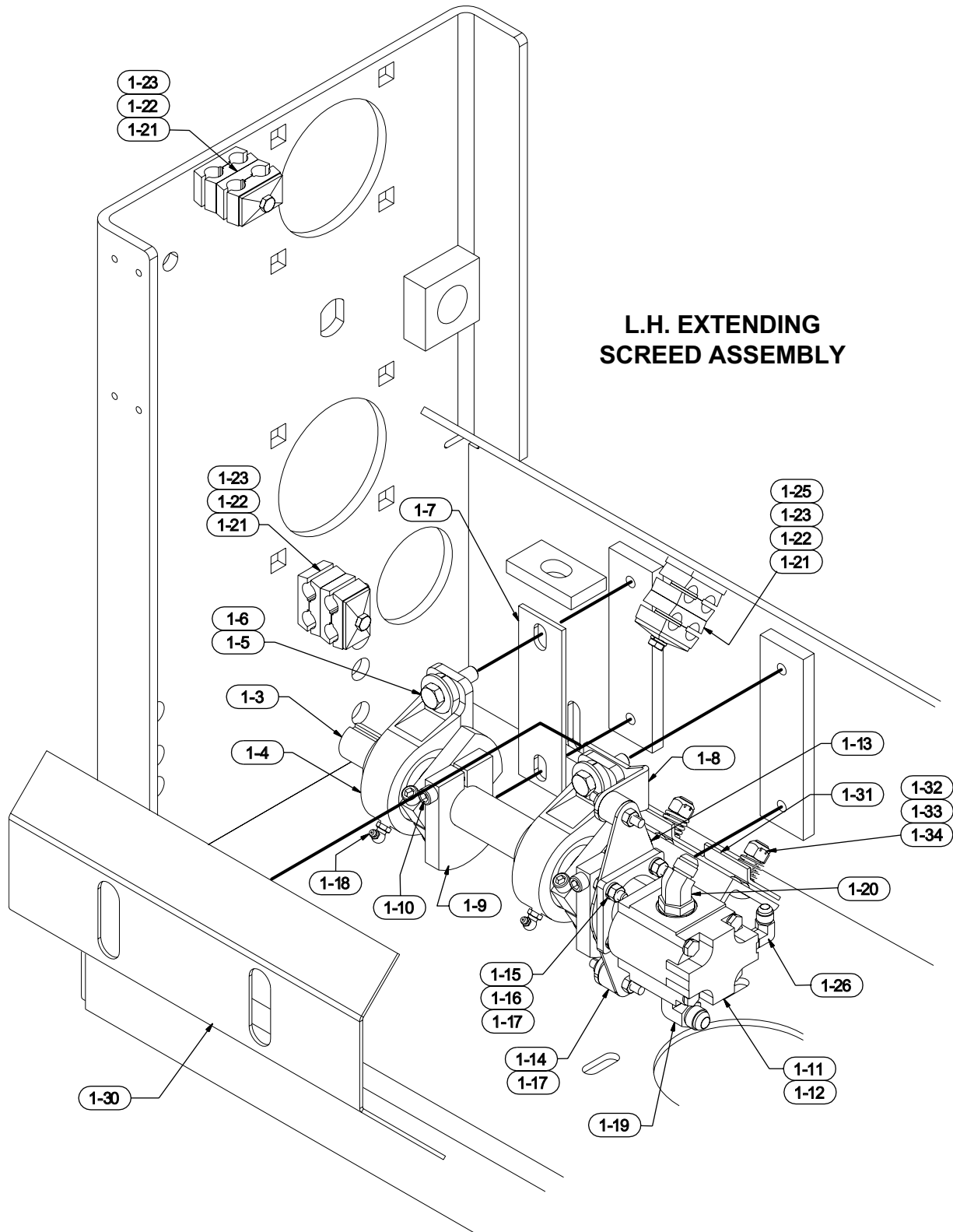
## CEDARAPIDS

### Hydraulic Vibrators - Base Screed

Parts List No. 05237EAB

Ref #	Part Number	REV	Part Name	Description	Qty
-	0970458630	A	ASSEMBLY DRAWING	VIBRATORS STRETCH 16	REF
103	0970457616	B	TUBE		2
104	4512550510	-	BEARING	BLOCK PILLOW	4
105	07383071		CAPSCREW	1/2"NC X 1-3/4"	8
106	07014020		WASHER	1/2"	8
107	0970455715	A	SHIM	PLATE	2
108	0970455717	E	PLATE	TUBE ASSY	2
109	0970455711	D	WEIGHT	VIBRATOR	8
110	07025018		CAPSCREW	SCH3/8NCX2-1/2	8
111	4508000625	B	HMOTOR		2
112	4083100081		KEY	1/8"X1/2MOLTRUP X.813	2
113	0970455714	A	MOUNT	SCREED VIB MOTOR	2
114	4539500122	-	MOUNT	RUBBER	4
115	07383020		CAPSCREW	5/16"NC X 3/4"	8
116	07014002		WASHER	5/16" LOCK	8
117	07012024		HEXNUT	5/16" NC	16
119	4537800107	-	UJOINT	1-1/4" RD. BORE-7	1
120	4537800108	-	UJOINT	W/SLIP SLEEVE	1
121	4083200625	-	KEY	7/8"SQ KEY X 6-1/4"	1
122	4080000101		KEY	1/4"SQ.X 1.06"	2
125	07430315		ELBOW	7/8"SAE 1/2"JIC	2
126	07430279		ELBOW	#10SAE #8JIC	2
127	07430405		ELBOW	1/2" SWIVEL	2
128	07430417		ELBOW	7/16"SAE 3/8"JIC	2
130	07430333		CONNECTOR	1/8"NPT-1/4"JIC	4
131	07430016		CONNECTOR	1/8"NPT-1/4"JIC	4
132	0765001833		HOSE ASSY		1
133	076500163301		HOSE ASSY	1/4" ID X 16"	1
135	0765002135		HOSE ASSY		2
136	07051001		FITTING	GREASE 1/8" STRGT	4
138	4508052924	-	CLAMP HALF	FOR 5/8" TUBE	8
139	4508052926	-	PLATE	COVER FOR CLAMP	2
140	07383030		CAPSCREW	5/16"NC X 3"	2
141	07014002		WASHER	5/16" LOCK	2
142	07012024		HEXNUT	5/16" NC	2

**Hydraulic Vibrators - Rear Extending Screed**





## Hydraulic Vibrators - Rear Extending Screenshot

Parts List No. 5037PKW

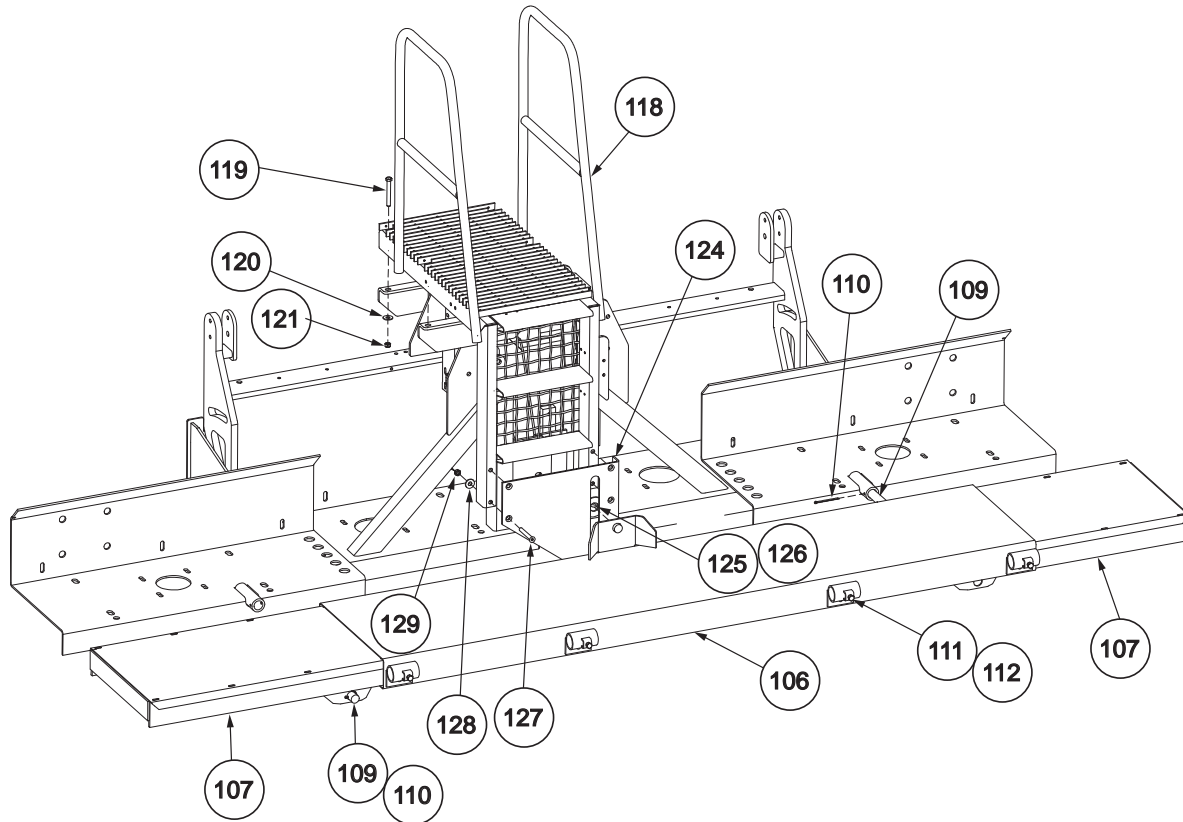
Ref. No.	Part Number	Description	Quantity
1-3	9704-576-16	Shaft, Vibrator	2
1-4	45125-505-10	Pillow Block Bearing	4
1-5	7383-071	Capscrew, 1/2" x 1-3/4"	8
1-6	7014-020	Washer, 1/2"	8
1-7	9704-557-15	Shim, Plate	2
1-8	9704-557-17	Plate, Tube Assembly	2
1-9	9704-557-11	Weight, Vibrator	8
1-10	7025-018	Capscrew, 3/8" x 2-1/2" Sockethead	8
1-11	45080-006-25	Hydraulic Motor	2
	45080-006-25-01	Seal Kit (for above motor)	2
1-12	40831-000-81	Key, 1/8" x 1/2"	2
1-13	9704-557-14	Mount, Motor	2
1-14	45395-001-22	Mount, Rubber	4
1-15	7383-022	Capscrew, 5/16" x 1"	8
1-16	7014-002	Lockwasher, 5/16"	8
1-17	7012-024	Hex Nut, 5/16"	16
1-18	7051-004	Grease Fitting, 1/8" 90°	4
1-19	7430-279	Elbow, 90° 5/8" x 1/2"	2
1-20	7430-315	Elbow, 45° 7/8" x 1/2"	2
1-21	45080-529-24	Clamp Half, 5/8" Tube	20
1-22	45080-529-26	Plate, Cover for Clamp	5
1-23	7383-028	Capscrew, 5/16" x 2-1/2"	5
1-25	7014-002	Lockwasher, 5/16"	2
1-26	7430-417	Elbow, 90° 7/16" x 3/8"	2
1-30	9704-585-69	Guard, Vibrator Rear	2
1-31	9704-559-53	Clip, Guard Hold	4
1-32	7072-194	Carriage Bolt, 1/2" x 1-3/4"	4
1-33	45870-001-30	Spring, Compression	4
1-34	45890-102-28	Locknut, 1/2"	4



**CEDARAPIDS**

**Walkway - Stretch 16**

Parts List No. 05237MAA



Ref #	Part Number	REV	Part Name	Description	Qty
-	0970459051		ASSEMBLY DRAWING	CROSS MAT WALKWY STRETCH 16	REF
105	0970955043		KIT	CROSSWALK KIT S-16	1
106	0970459052		WALKWAY	S16 OUTER	1
107	0970459053		WALKWAY	S16 INNER	2
109	0970459050		SHAFT	WALKWAY	2
110	07011108		COTTER PIN	3/16" X 3"	6
111	07012005		SQUARE NUT	1/2" NC	4
112	07383069		CAPSCREW	1/2"NC X 1-1/4"	4
118	0970457345	J	LADDER	S16/18/20	1
119	07383080		CAPSCREW	1/2" NC X 4"	4
120	07014020		WASHER	1/2"	4
121	4589010228	B	LOCKNUT	1/2"NC	4
124	0970457352		PLATE	SCREEED	1
125	07011108		COTTER PIN	3/16" X 3"	1
126	07014027		WASHER	1-1/4"	1
127	07389094		CAPSCREW	SCH 1/2"NC X 4"	4
128	07014020		WASHER	1/2"	4
129	4589010228	B	LOCKNUT	1/2"NC	4





[Return to Table of Contents Page](#)

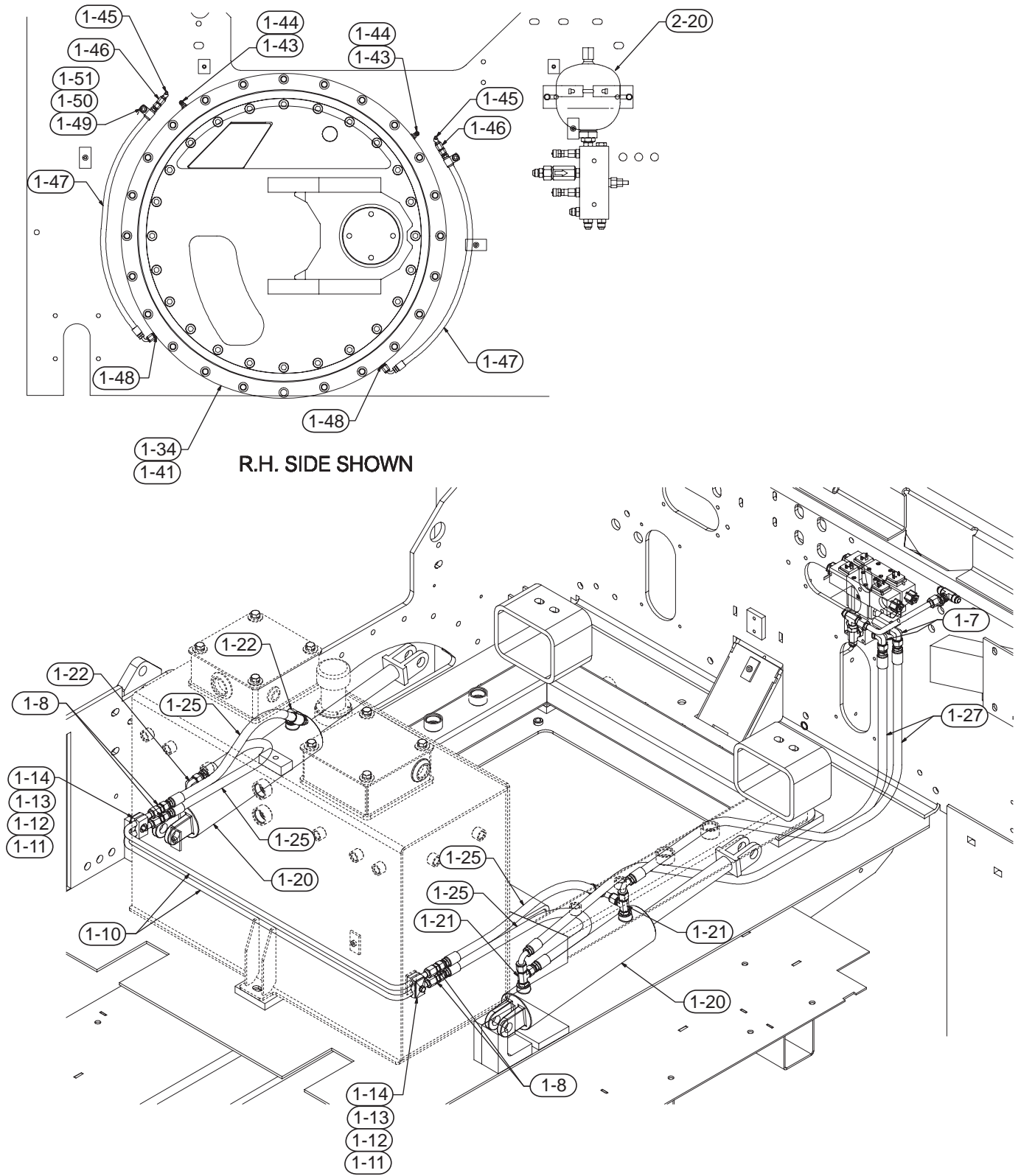
## Table of Contents

**Frame Raise Mounting & Plumbing Components - 05234RCB**

<b>Ref No.</b>	<b>Description</b>	<b>Page No.</b>
<u><a href="#">1</a></u>	<u><a href="#">Frame Raise Plumbing Illustration - Part 1</a></u>	<u><a href="#">2</a></u>
<u><a href="#">2</a></u>	<u><a href="#">Frame Raise Plumbing Illustration - Part 2</a></u>	<u><a href="#">3</a></u>
<u><a href="#">3</a></u>	<u><a href="#">Frame Raise Plumbing Parts List</a></u>	<u><a href="#">4</a></u>
<u><a href="#">4</a></u>	<u><a href="#">Track Tension Valve Sub-Assembly</a></u>	<u><a href="#">5</a></u>
<u><a href="#">5</a></u>	<u><a href="#">Hydraulic Cylinder</a></u>	<u><a href="#">6</a></u>
<u><a href="#">6</a></u>	<u><a href="#">Track Mounting with Frame Raise</a></u>	<u><a href="#">7</a></u>

Return to Table  
of Contents Page

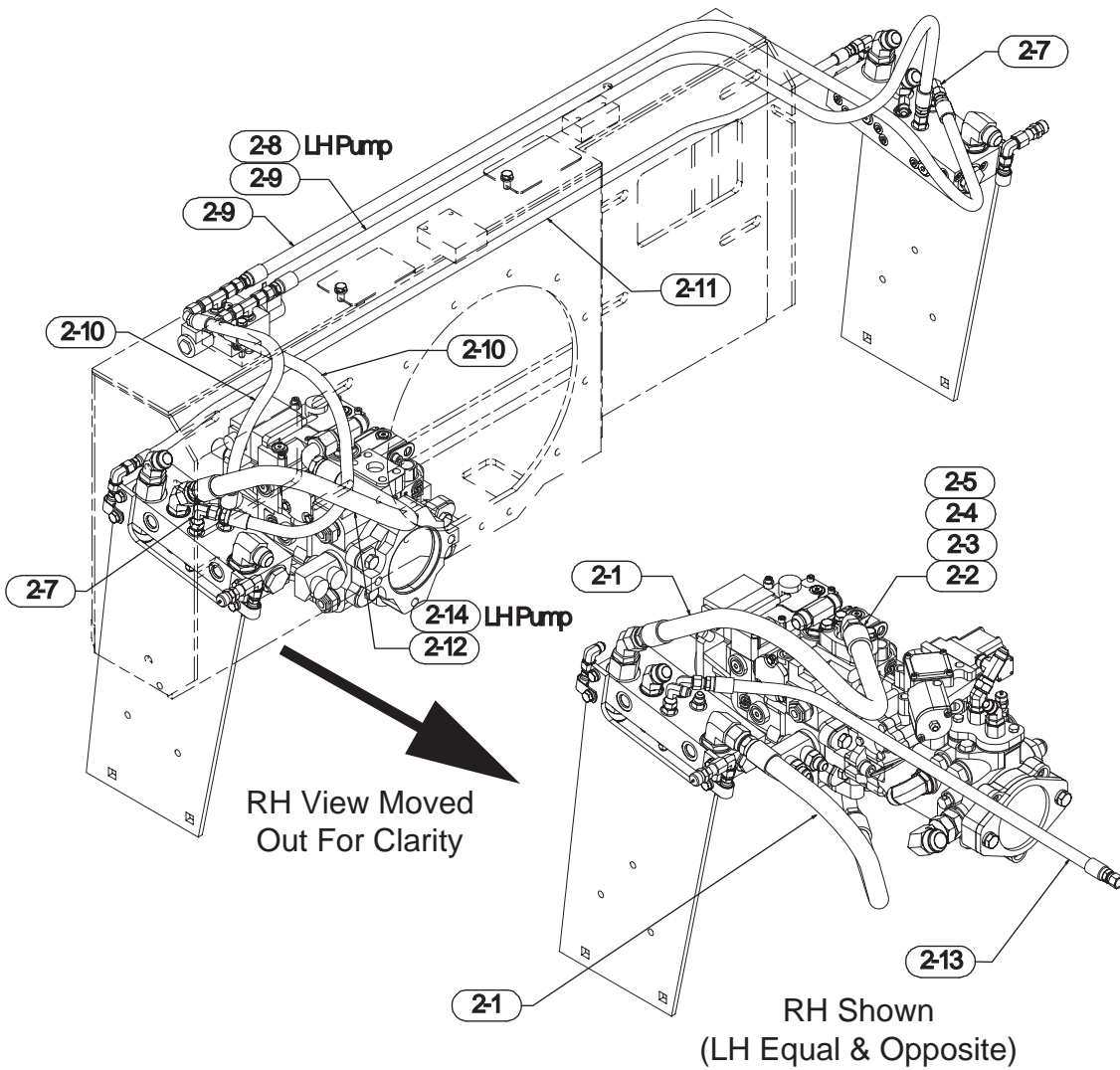
### Frame Raise Plumbing



R.H. SIDE SHOWN

Return to Table  
of Contents Page

**Frame Raise Plumbing**



**Return to Table  
of Contents Page**



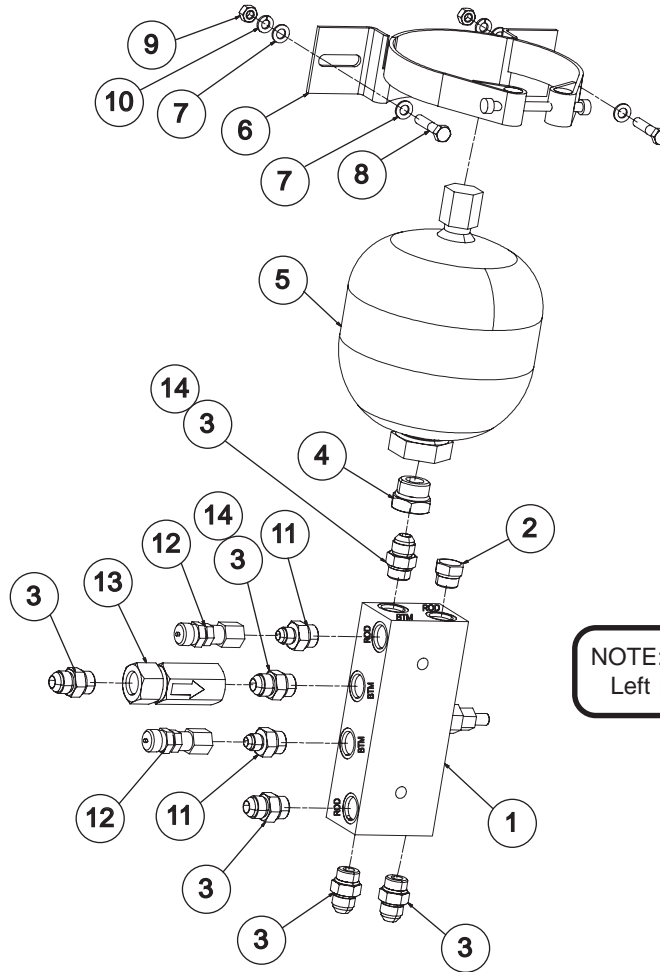
**Frame Raise Plumbing**  
Part List No. 05234RCB

Ref #	Part Number	REV	Part Name	Description	Qty
-	0970406469	A	ASSEMBLY DRAWING	FRAME RAISE PLUMBING	REF
1-7	07430278		ELBOW	#8SAEM X #8JICM 90D	2
1-8	07430385		UNION	1/2"	4
1-10	0970406479		TUBE ASSY	FRAME RAISE CROSS-OVER	2
1-11	4508052923	-	CLAMP HALF	FOR 1/2" TUBE	4
1-12	4508052926	-	PLATE	COVER FOR CLAMP	2
1-13	07014002		WASHER	5/16" LOCK	2
1-14	07383025		CAPSCREW	5/16"NC X 1-3/4	2
1-20	4509000788	B	HYDCYLINDER	3-1/2" BORE (See Form 21715)	2
1-21	07430292		TEE	1/2"JIC X 1/2"SAE RUN	2
1-22	07430278		ELBOW	#8SAEM X #8JICM 90D	2
1-25	0765202233	-	HOSE ASSY	1/2" ID X 22"	4
1-27	0766207435	-	HOSE ASSY	1/2" X 74"	2
1-34	0970805018		SUB-ASSEMBLY	REAR SUSPENSION (See Form 22074)	1
1-41	07025034		CAPSCREW	SCH 5/8NC X 2	46
1-43	07051004		FITTING	GREASE 1/8" 90DEG	4
1-44	07053001		NIPPLE	GREASE EXTENSION	4
1-45	07051002		FITTING	GREASE 1/8" X 45	4
1-46	07430008		CONNECTOR	1/8"NPT-1/4"JIC	4
1-47	0765002735	A	HOSE ASSY	1/4" ID X 27"	4
1-48	07430001		CONNECTOR	1/8"NPT-1/4"JIC	4
1-49	07509004		HOSE CLAMP	5/8"	4
1-50	07383035		CAPSCREW	3/8" NC X 5/8"	4
1-51	07014003		WASHER	3/8" LOCK	4
2-1	076830353701	-	HOSE ASSY		3
2-2	4519100491	C	CLAMP	HALF 1"	6
2-3	4525950811	A	ORING	1.296"ID 1-9/16"OD	3
2-4	07383056		CAPSCREW	7/16"NC X1-3/4	12
2-5	07014004		WASHER	7/16" LOCK	12
2-7	07430383		ELBOW	3/8" SWIVEL NUT	2
2-8	0768303533	-	HOSE ASSY	MTR PRES TO BKT	1
2-9	0765108533	A	HOSE ASSY	3/8" ID X 85"	2
2-10	0765105235	A	HOSE ASSY	3/8" ID X 52"	2
2-11	076601543301	-	HOSE ASSY	1/4" ID X 154"	1
2-12	0765303835	A	HOSE ASSY		1
2-13	0765107033	A	HOSE ASSY	3/8 ID X 70"	2
2-14	0765303633	-	HOSE ASSY	3/4"JIC X 36"	1
2-20	0970805036		SUB-ASSEMBLY	TRACK TENSION VALVE (See Form 24644)	2

**Return to Table  
of Contents Page**



**Track Tension Valve Sub-Assembly**  
Part No. 0970805036

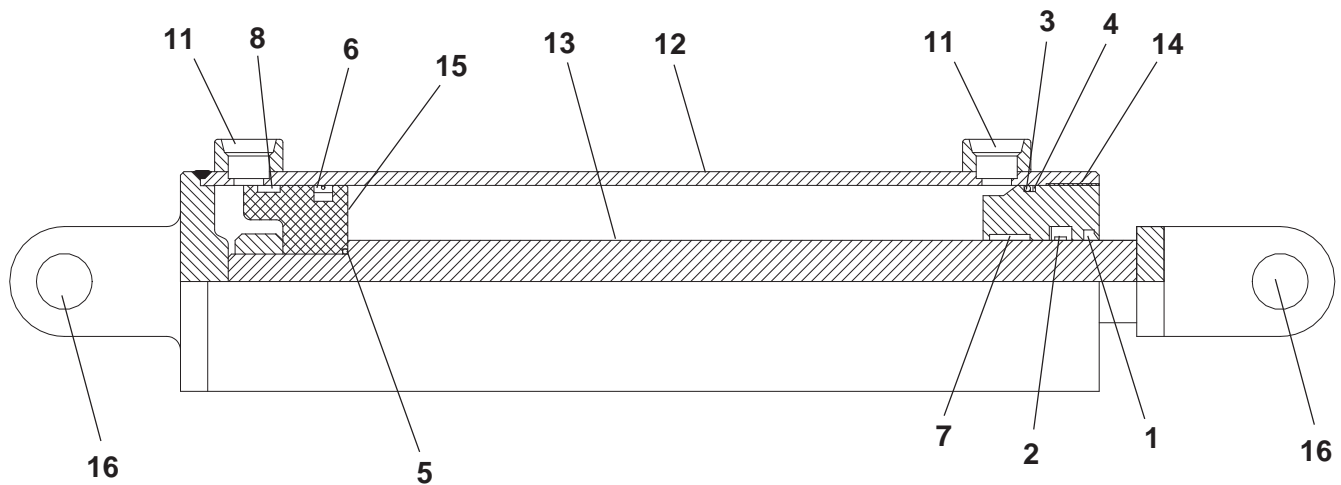


NOTE: Right Hand Assembly shown.  
Left Hand Side equal & opposite.

Ref #	Part Number	REV	Part Name	Description	Qty
1	0970406197	-	VALVE	TRACK TENSION	1
2	07430382		PLUG	#8SAE	1
3	07430255		CONNECTOR	#8MSAE X #8MJIC	6
4	4572077512	-	REDUCER	#12MSAE X #8FSAE	1
5	4508550210	A	ACCUMULATOR		1
6	450855020801	B	CLAMP	6.3"DIA.	1
7	07014017		WASHER	5/16"	4
8	07383024		CAPSCREW	5/16"NC X 1-1/2	2
9	07012024		HEX NUT	5/16" NC	2
10	07014002		WASHER	5/16" LOCK	2
11	07430253		CONNECTOR	3/4"SAE 3/8" JIC	2
12	4508052718	-	FITTING	TEST 3/8"MALE JIC	2
13	4525201031	-	VALVE		1
14	4525950814	A	ORING	SAE #8	4

**Return to Table  
of Contents Page**

**Hydraulic Cylinder**

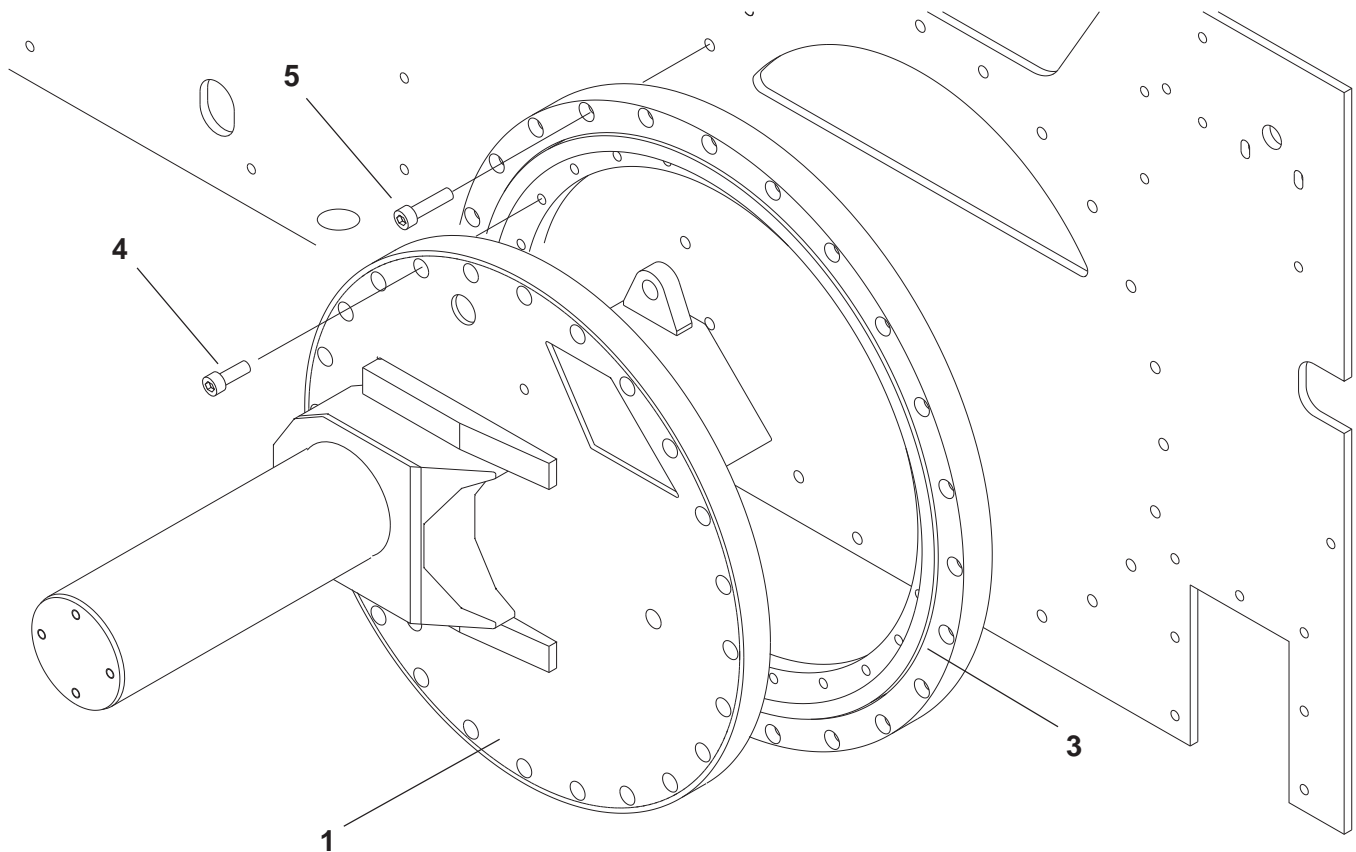


Ref. No.	Part Number	Description	Quantity
	45090-007-88	Cylinder - Complete	1
1	45090-007-88-01	Wiper	1
2	45090-007-88-02	Seal	1
3	45090-007-88-03	O-Ring	1
4	45090-007-88-04	Back-Up	1
5	45090-007-88-05	O-Ring	1
6	45090-007-88-06	Seal	1
7	45090-007-88-10	Wear Ring	1
8	45090-007-88-11	Wear Ring	1
9	45090-007-88-07	Locknut	1
10	45090-007-88-08	Cotter Pin	2
11	45090-007-88-09	Port Plug	2
12	45090-007-88-15	Tube Assembly	1
13	45090-007-88-16	Rod Assembly	1
14	45090-007-88-12	Head	1
15	45090-007-88-13	Piston	1
16	45090-007-88-14	Clevis Pin	2
17	45090-007-88-17	Seal Kit, Cylinder (Not Shown)	1

**Return to Table of Contents Page**



**Track Mounting w/ Frame Raise**



**NOTE: Left Hand Assembly shown.  
Right Hand Side equal & opposite.**

Ref. No.	Part Number	Description	Quantity
-	09708-050-18	Sub-Assembly - Rear Suspension	1
-	09709-050-16	Kit, Frame Raise Eccentric	1
1	9704-062-53	Eccentric, LH Frame Raise	1
2	9704-062-54	Eccentric, RH Frame Raise (Not Shown)	1
3	45134-003-44	Bearing, Paver Frame Raise	2
4	7025-031	Capscrew, 5/8" NC x 1-1/4" - Sockethead	48
5	7025-034	Capscrew, 5/8" NC x 2" - Sockethead	46

NOTE: Quantities are for both Left and Right Sides.





**Return to Table  
of Contents Page**

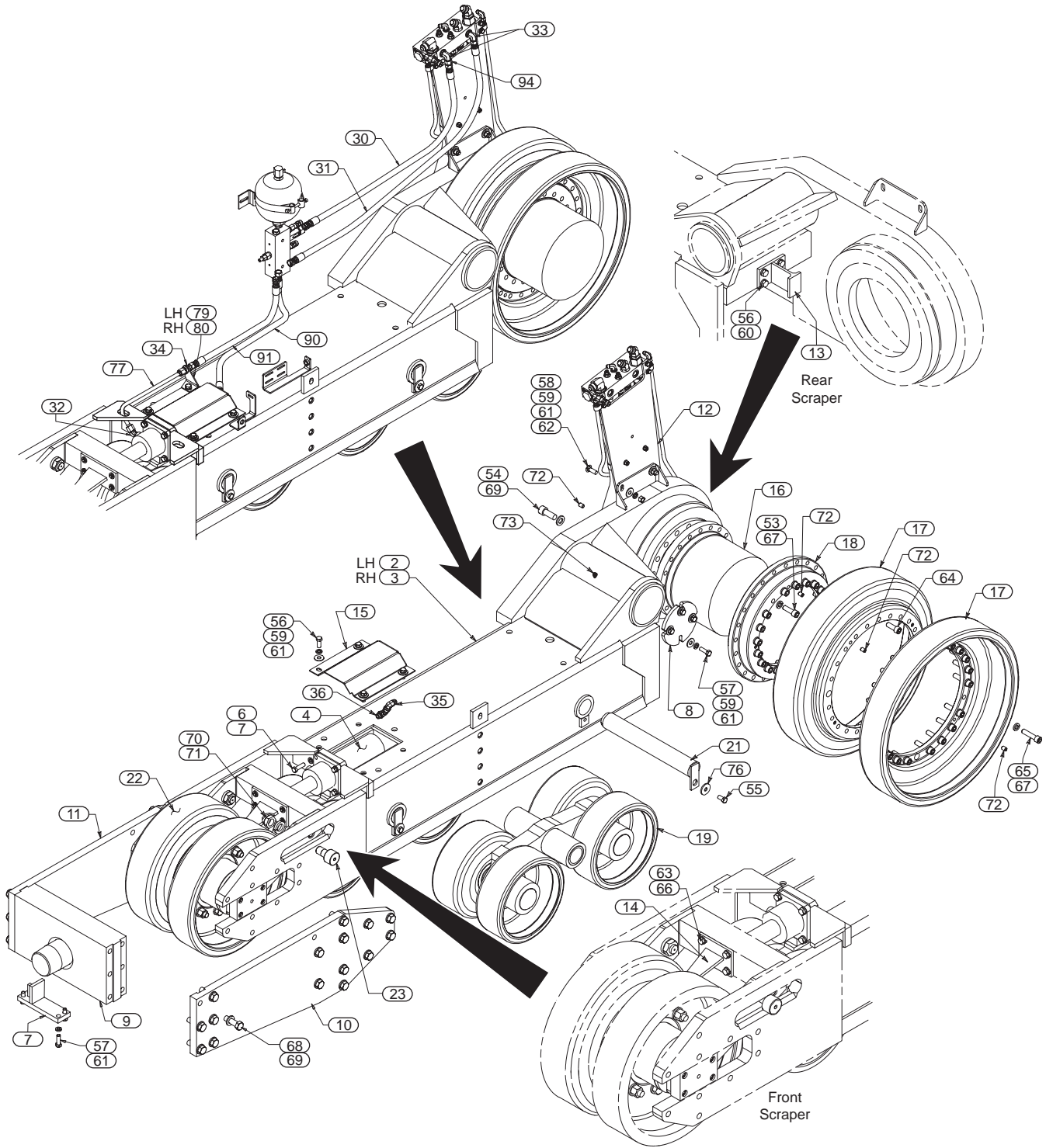
## Rubber Track Frame and Drive Components - 05210BGU

Ref No.	Description	Page No.
<u>1</u>	<u>Track Frame, Drive &amp; Plumbing Parts - Illustration #1</u>	<u>2</u>
<u>2</u>	<u>Track Frame, Drive &amp; Plumbing Parts - Illustration #2</u>	<u>3</u>
<u>3</u>	<u>Track Frame, Drive &amp; Plumbing Parts - Parts List #1</u>	<u>4</u>
<u>4</u>	<u>Track Frame, Drive &amp; Plumbing Parts - Parts List #2</u>	<u>5</u>
<u>5</u>	<u>Rubber Track Bogie - Illustration</u>	<u>6</u>
<u>6</u>	<u>Rubber Track Bogie - Parts List</u>	<u>7</u>
<u>7</u>	<u>Take Up Idler - Rubber Track - Illustration</u>	<u>8</u>
<u>8</u>	<u>Take Up Idler - Rubber Track - Parts List</u>	<u>9</u>
<u>9</u>	<u>Cylinder - Rubber Track</u>	<u>10</u>
<u>10</u>	<u>Hydraulic Motor</u>	<u>11</u>
<u>11</u>	<u>De-Tracking Limit Switch</u>	<u>12</u>

Return to Table  
of Contents Page

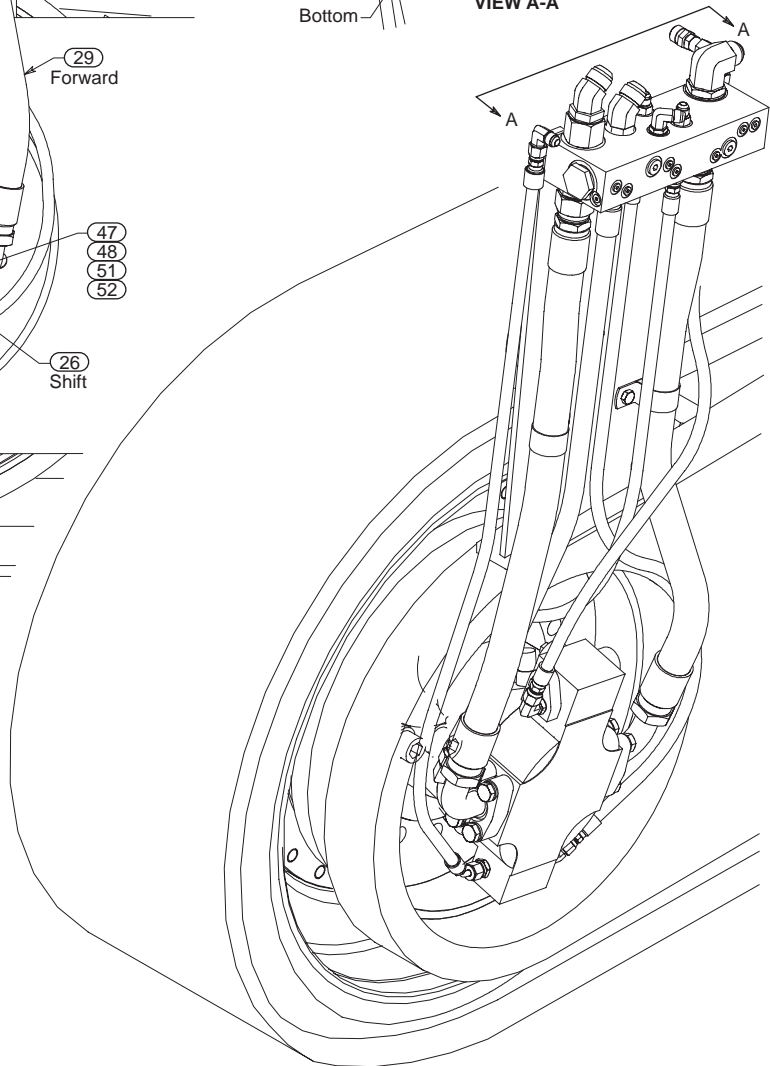
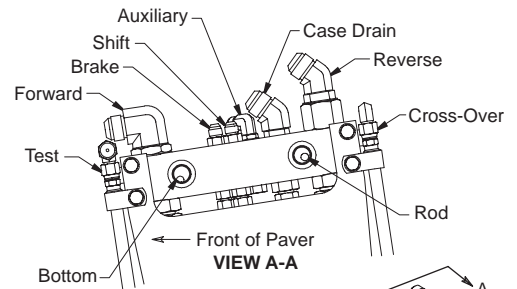
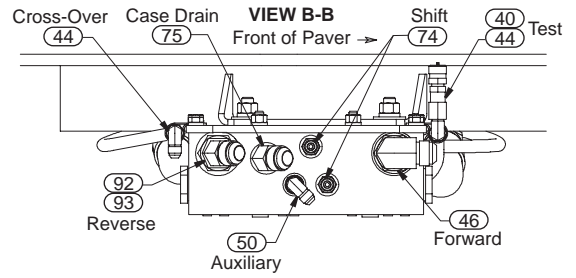
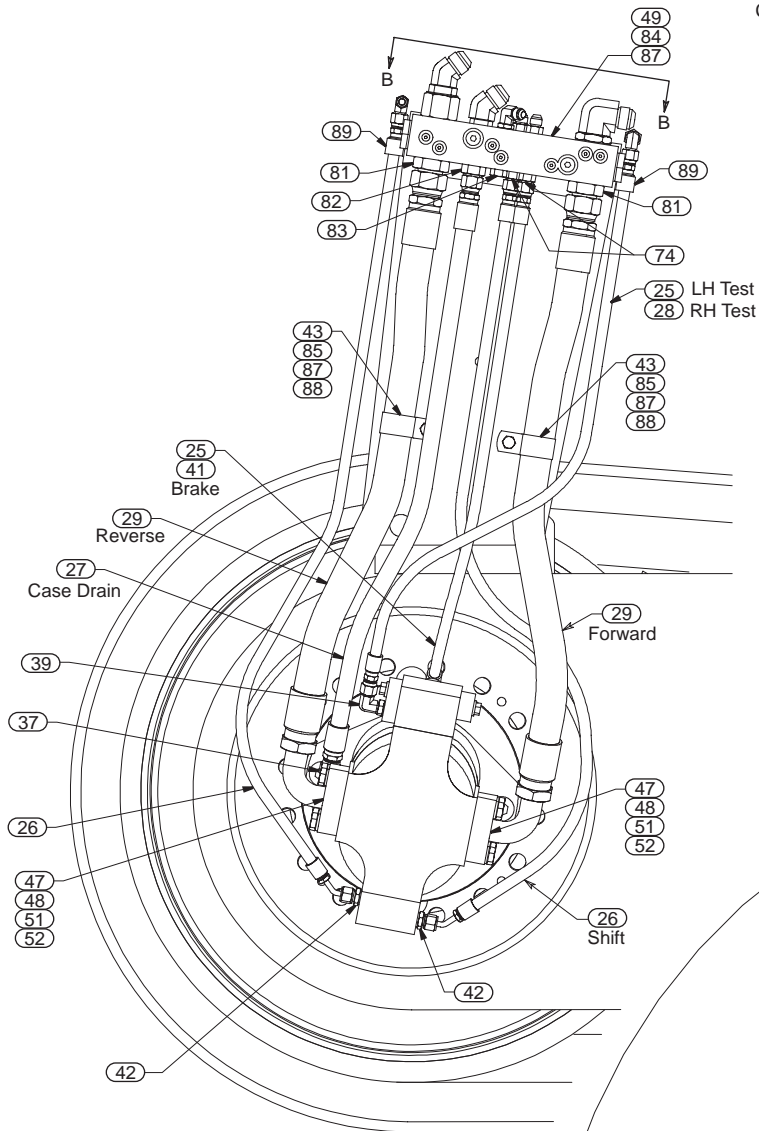


### Track Frame, Drive & Plumbing Parts



**Return to Table  
of Contents Page**

**Track Frame, Drive & Plumbing Parts**



**Return to Table  
of Contents Page**



## Track Frame, Drive & Plumbing Parts

Ref. No.	Part Number	Description	Quantity
-	45610-003-04	Track, Rubber 361R (See 05210BGU)	2
-	09708-050-25	Sub-Assembly, Rubber Track Frame	1
1	09709-050-30	Kit, Track Frames	1
2	09704-063-85	Frame, L.H. Track - Weldment	1
3	09704-063-86	Frame, R.H. Track - Weldment	1
4	45090-010-09	Hydraulic Cylinder - See Form #21817, Following Pages	2
5	07383-071	Capscrew, 1/2" NC x 1-3/4"	8
6	07014-005	Washer, 1/2" Lock	8
7	09704-062-65	Bracket, Track Pivot Retaining	2
8	09704-059-69	Plate, Shaft End	2
9	09704-062-32	Plate, Nose	2
10	09704-064-54	Plate, L.H. Nose	2
11	09704-064-55	Plate, R.H. Nose	2
12	09704-064-58	Bracket, Hose Support	2
13	09704-063-67	Scraper, Rear	2
14	09704-063-68	Scraper, Front	2
15	09704-062-07	Cover, Cylinder	2
16	45080-006-22	Hydraulic Motor - See Form #21739, Following Pages	2
17	09704-062-30	Drive Wheel, 14" Rubber Track	4
18	09704-062-34	Adapter Ring, Drive Wheel	2
19	09704-062-50	Bogie Assembly - See Form #22020-22021, Following Pages	4
20	09709-050-08	Kit, Bogie Frame & Shaft	1
21	09704-062-62	Shaft, Bogie Pin	4
22	09704-062-25	Idler Assembly - See Form #22022-22023, Following Pages	2
23	45134-003-31	Cam Roller	4
24	09709-050-32	Kit, Hose Assembly	1
25	07660-032-34-01	Hose Assembly	3
26	07660-042-34-01	Hose Assembly	4
27	07652-030-33	Hose Assembly	2
28	07660-029-35-01	Hose Assembly	1
29	07684-031-37	Hose Assembly	4
30	07652-040-33	Hose Assembly	2
31	07652-047-33	Hose Assembly	2
32	07430-314	Elbow, 45° 3/4" x 1/2" - Includes O-Ring	2
33	07430-278	Elbow, 90° 3/4" x 1/2" - Includes O-Ring	4
34	07430-367	Union, 1/2" Bulkhead	2
35	07430-405	Elbow, 1/2" Swivel	2
36	07430-278	Elbow, 90° 3/4" x 1/2" - Includes O-Ring	2
37	45720-776-12	Elbow, M18 x 1.5 x 1/2"	2
39	45720-776-10	Elbow, M14 x 1.5 x 3/8"	2
40	45080-527-18	Fitting, Test 3/8"	2
41	07430-416	Connector, 3/8" x 1/4"	2
42	45720-775-49	Fitting, M14 x 1.5 x 3/8"	4
43	07509-012	Hose Clamp, 1-1/2"	4
44	07430-420	Elbow, 3/8" JIC Union	4
46	07430-378	Elbow, 3/4" x 1-5/16"	2

- Continued Next Page -

**Return to Table  
of Contents Page**



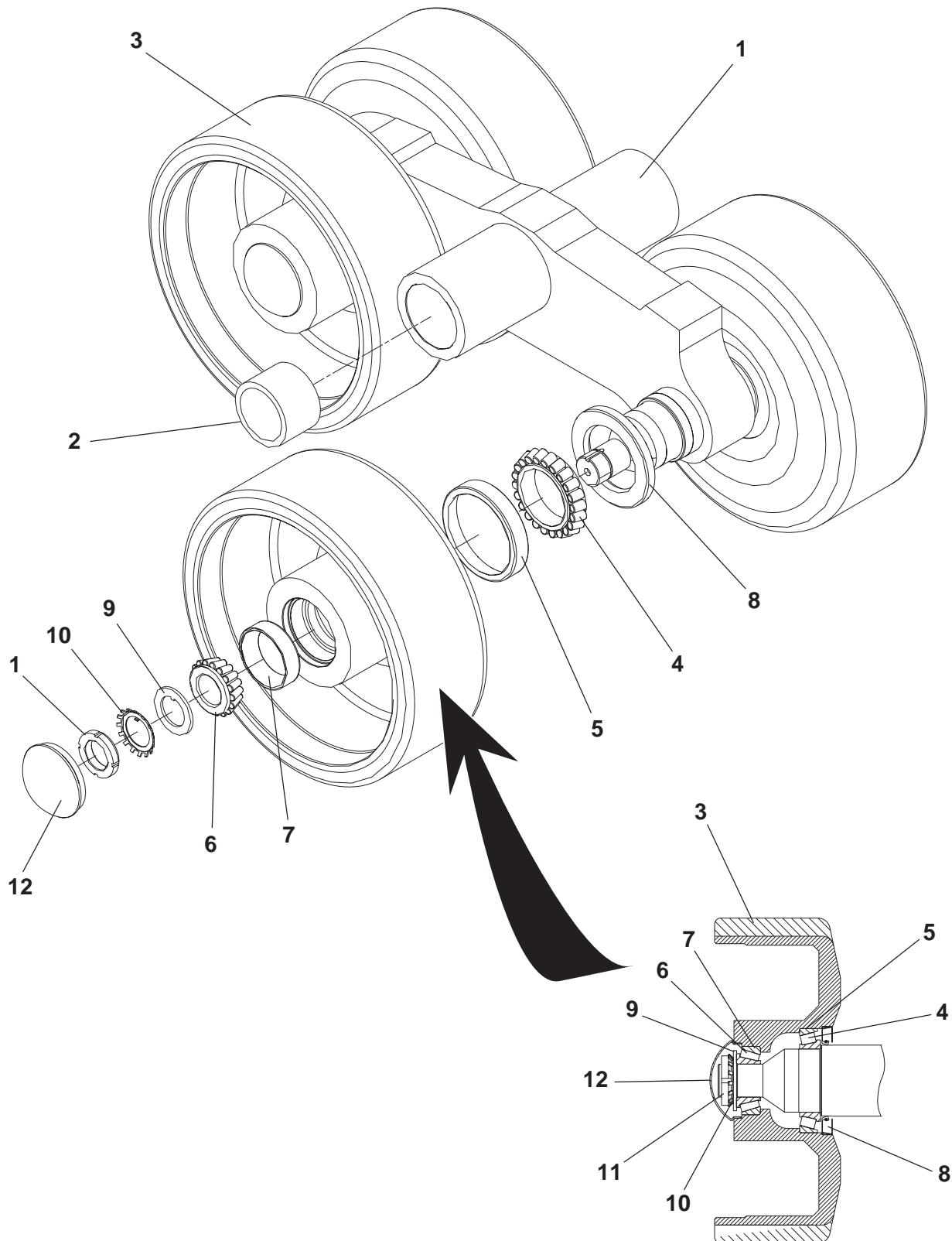
## Track Frame, Drive & Plumbing Parts

Ref. No.	Part Number	Description	Quantity
47	45191-004-91	Clamp, Half 1"	8
48	45259-508-11	O-Ring 1.296" ID 1-9/16"	4
49	09704-063-08	Valve, Smart Track	2
50	07430-275	Elbow, 90° 3/8" - With O-Ring	2
51	45890-300-66	Capscrew, M12 x 40 x 1.75	16
52	45890-301-11	Washer, M12 x 18 x 2.5	16
53	45890-303-03	Capscrew, SCH 16MM	40
54	45890-300-29	Capscrew, SCH M20 x 50	32
55	07383-068	Capscrew, 1/2" NC x 1"	4
56	07383-069	Capscrew, 1/2" NC x 1-1/4"	16
57	07383-070	Capscrew, 1/2"NC x 1-1/2"	16
58	07072-102	Carriage Bolt, 1/2" NC x 1-1/2"	4
59	07014-020	Washer, 1/2" Flat	20
60	07465-001	Washer, 1/2" Hardened Flat	8
61	07014-005	Washer, 1/2" Lock	28
62	07012-027	Hex Nut 1/2" NC	4
63	07383-099	Capscrew, 5/8" x 1-1/4"	8
64	07026-033	Capscrew, SCH 5/8" NF x 1-3/4"	4
65	07026-037	Capscrew, SCH 5/8" NF x 2-3/4"	44
66	07465-002	Washer, 5/8" Hardened Flat	8
67	07014-007	Washer, 5/8" Lock	84
68	07383-120	Capscrew, 3/4" NC x 2-1/2"	64
69	07465-003	Washer, 3/4" Hardened Flat	96
70	07014-012	Washer, 1-1/8"	4
71	07017-055	Hex Nut 1-1/8" NF Jam	4
72	07131-101	Screw, Set 1/2" NC x 5/8"	32
73	07051-010	Fitting, Grease 1/4" 90°	2
74	07430-252	Connector, 3/8" - With O-Ring	8
75	07430-317	Elbow, 45° 3/4" x 5/8"	2
76	09700-459	Washer	4
77	09704-064-61	Tube, Track Tension	2
78	09709-050-31	Kit, Clip	1
79	09704-064-59	Clip, Left Hand	1
80	09704-064-60	Clip, Right Hand	1
81	07430-267	Connector, 1" SAE x 1" JIC	4
82	07430-256	Connector, 5/8" SAE x 1/2" JIC	2
83	07430-381	Plug, 3/8" SAE	2
84	07383-037	Capscrew, 3/8" x 7/8"	4
85	07383-038	Capscrew, 3/8" x 1"	4
87	07014-003	Washer, 3/8" Lock	8
88	07012-025	Hex Nut, 3/8" NC	4
89	07509-004	Hose Clamp, 5/8"	4
90	07652-030-34	Hose Assembly (Part of Hose Kit - Item #24)	2
91	07652-028-33	Hose Assembly (Part of Hose Kit - Item #24)	2
92	45720-775-25	Fitting, Reducer 1" x 3/4"	2
93	07430-318	Elbow, 3/4" SAE x 3/4" JIC	2
94	45259-012-05	Fitting, 3/32" Orifice	2

Return to Table  
of Contents Page



### Rubber Track Bogie



**Return to Table  
of Contents Page**



## Rubber Track Bogie

Ref. No.	Part Number	Description	Quantity
	9704-062-50	Bogie Assembly ( <i>complete</i> )	1
1	9704-062-49	Bogie, 14" Rubber Track	1
	7030-008	Bearing Nut	4
2	45030-002-08	Bushing	2
3	9704-062-31	Bogie Wheel, 14" Rubber Track	4
4	45130-001-33	Bearing Cone	4
5	45130-002-81	Bearing Cup, 4.3307 OD .7411	4
6	45130-001-94	Bearing Cone, 1.375" Bore	4
7	45130-002-67	Bearing Cup, 2.8437" OD	4
8	45200-292	Seal, Shaft - 2.938" Dia.	4
9	45130-500-15	Washer, Tongued - 1.376" Dia.	4
10	45130-500-14	Washer, Lock Bearing 1.375"	4
11	45404-501-05	Hubcap, Grease Cap / Wheel Hub	4

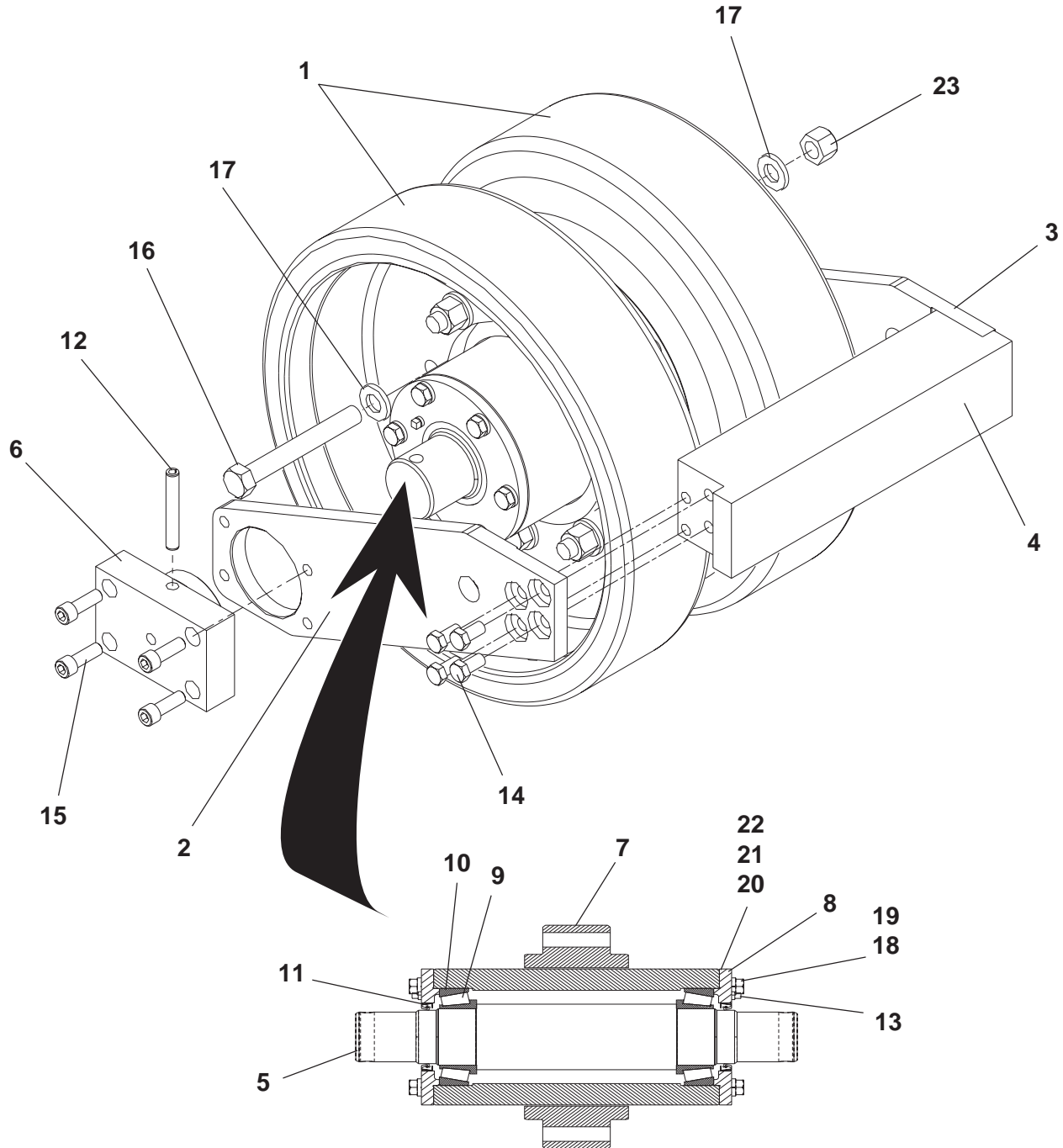
**NOTE: Quantities shown are for one (1) Bogie assembly only.**



Return to Table  
of Contents Page



Take-Up Idler - Rubber Track





**Return to Table  
of Contents Page**



## Take-Up Idler - Rubber Track

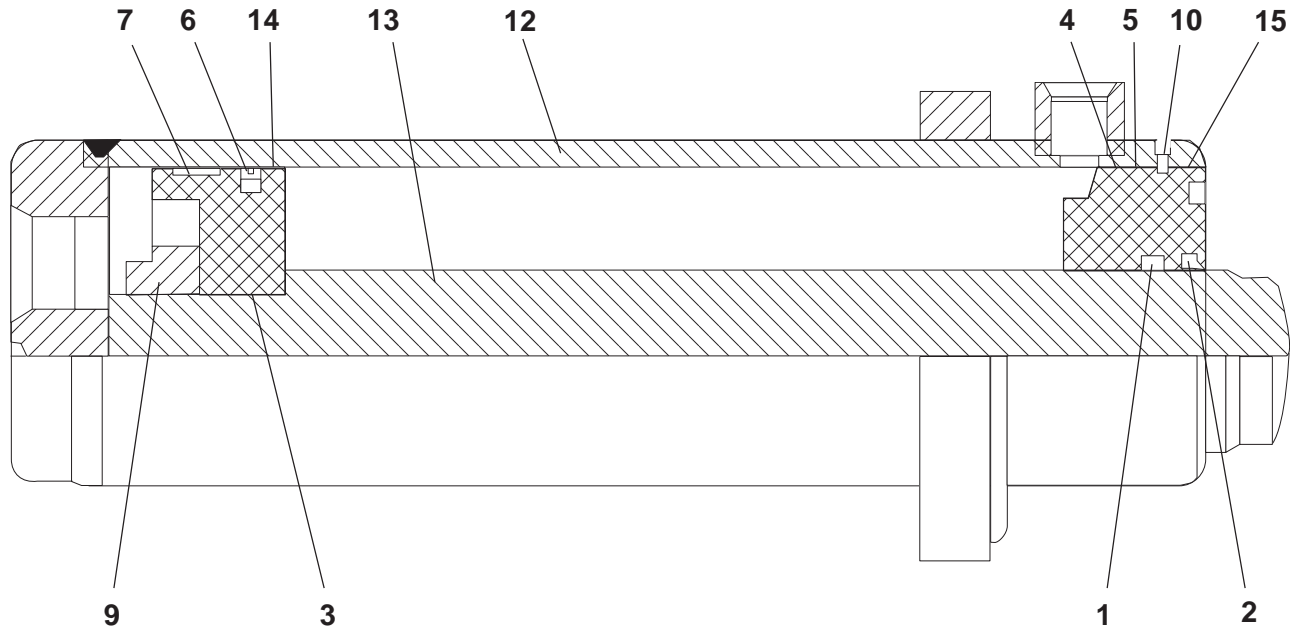
Ref. No.	Part Number	Description	Quantity
	9704-062-25	Idler Assembly ( <i>complete</i> )	1
1	9704-062-29	Idler, Wheel - 14" Rubber Track	2
2	9704-062-23	Plate, L.H. Idler - Take-Up	1
3	9704-062-24	Plate, R.H. Idler - Take-Up	1
4	9704-062-27	Push Bar, Idler - Take-Up	1
5	9704-062-28	Shaft, Idler	1
6	9704-061-39	Slider, Idler - Slide Block	2
7	9704-062-26	Housing, Idler	1
8	9704-056-04	Cap	2
9	7132-010	Bearing Cone, 2.9062" Bore	2
10	7132-001	Bearing Cup, 5" OD	2
11	45200-046	Oil Seal, 2-3/4" ID x 3-1/2"	2
12	7238-158	Roll Pin, 1/2" x 3-1/2"	2
13	7024-001	Pipe Plug, 1/8"	2
14	7383-068	Capscrew, 1/2" NC x 1"	8
15	7025-022	Capscrew, Sockethead - 1/2" NC x 1-1/2"	8
16	45890-252-33	Capscrew, 3/4" NF x 6"	8
17	45890-255-51	Washer, 3/4" Hardened Flat	16
18	7383-069	Capscrew, 1/2" NC x 1-1/4"	12
19	7014-005	Washer, 1/2" Lock	12
20	7048-053	Bearing Shim, 5-1/32" ID	2
21	7048-054	Bearing Shim, 5-1/32" ID	3
22	7048-052	Bearing Shim, 5-1/32" ID	1
23	45890-100-52	Locknut, 3/4" NF	8

**NOTE: Quantities shown are for one (1) idler assembly only.**

**Return to Table  
of Contents Page**



**Cylinder - Rubber Track**

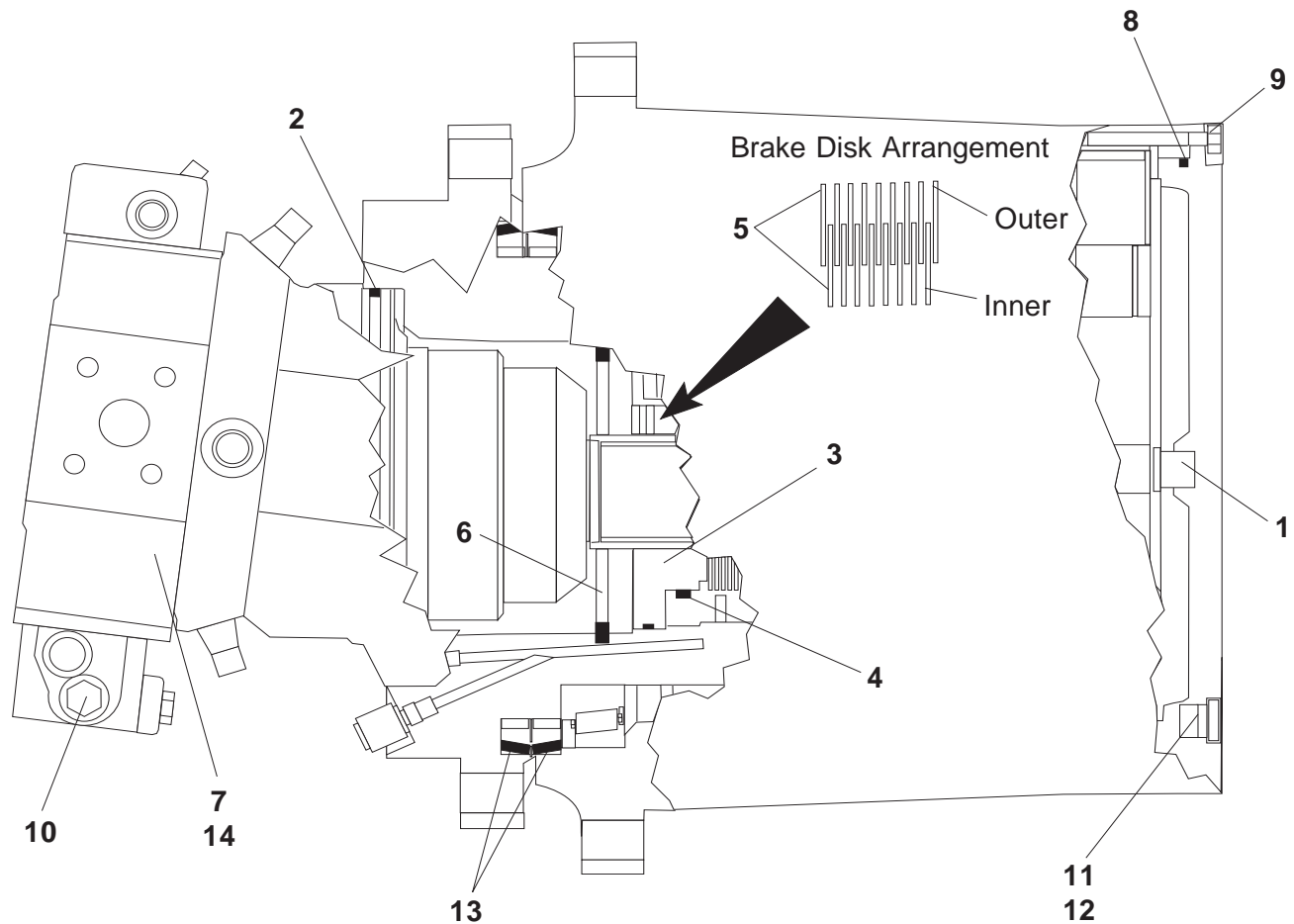


Ref. No.	Part Number	Description	Quantity
	45090-010-09	Cylinder Assembly ( <i>complete</i> )	1
1	45090-010-09-01	Wiper	1
2	45090-010-02	Seal	1
3	45090-010-03	O-Ring	1
4	45090-007-88-03	O-Ring	1
5	45090-007-88-04	Back-Up	1
6	45090-010-09-04	Seal	1
7	45090-010-09-05	Wear Ring	1
8	45090-010-09-06	Seal Kit (Not Shown)	1
9	45090-010-09-07	Lock Nut	1
10	45090-010-09-08	Retaining Ring	1
11	45090-007-88-09	Port Plug (Shipping Purposes Only)	2
12	45090-010-09-09	Tube Assembly	1
13	45090-010-09-10	Rod	1
14	45090-010-09-11	Piston	1
15	45090-010-09-12	Head	1

***NOTE: Quantities Listed for one (1) Cylinder Assembly Only:***

**Return to Table of Contents Page**

**Hydraulic Motor**



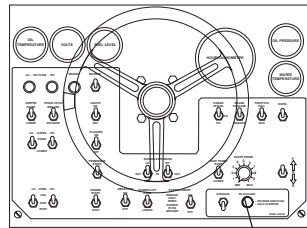
Ref. No.	Part Number	Description	Quantity
	45080-006-22	Hydraulic Motor - <i>Complete</i>	
1	45080-006-22-04	Button, Thrust	1
2	45259-508-83	O-Ring	1
3	45080-006-22-05	Piston	1
4	45080-006-22-03	Brake Seal Kit	1
5	45080-006-22-02	Brake Disk Kit	1
6	45080-006-22-06	Ring, Snap	1
7	45080-006-08-01	Motor, Hydraulic	1
8	45259-508-92	O-Ring	1
9	45080-006-22-01	Bolt, Hex Head	12
10	45080-006-08-02	Valve, Flushing	1
11	45080-004-79-05	Ring, Seal	2
12	45080-004-79-06	Plug	2
13	45080-004-79-14	Seal, Face	1
14	45080-006-08-03	Kit, O-Ring - Motor ( <i>Included with item 7</i> )	1

**NOTE:** Quantities shown are for one (1) motor assembly.

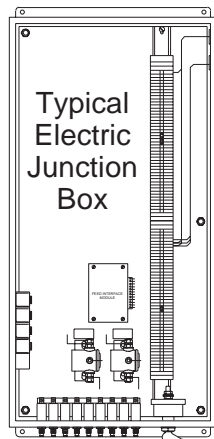
**Return to Table  
of Contents Page**



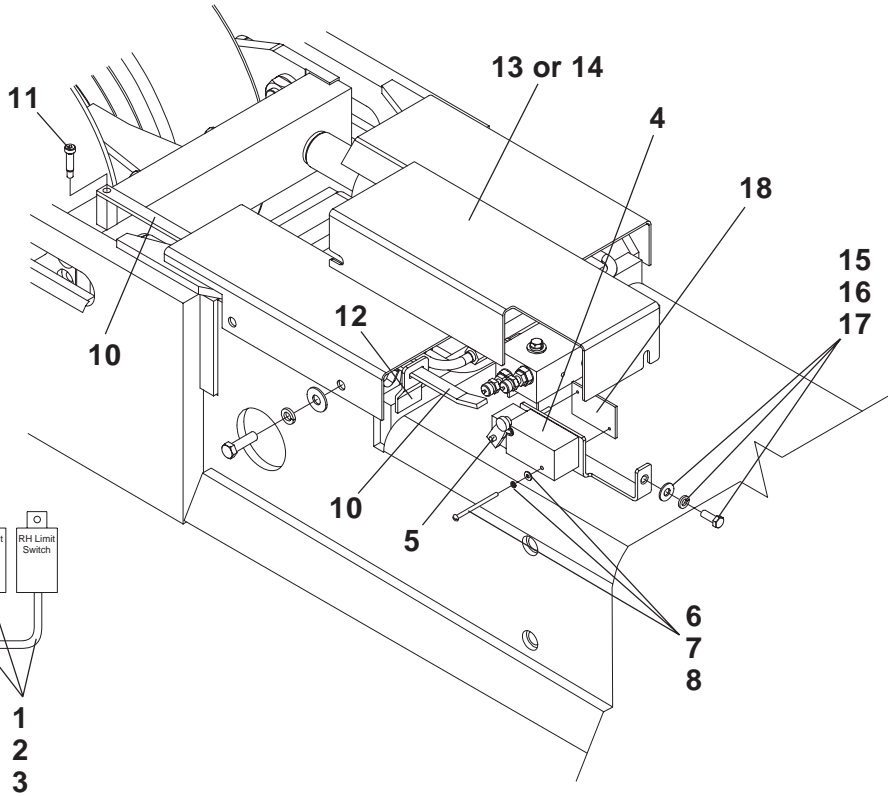
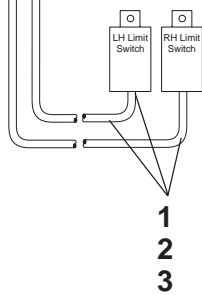
**De-Tracking Limit Switch**  
Parts List No: 05210BGU



9



Typical  
Electric  
Junction  
Box



Ref. No.	Part Number	Description	Quantity
-	9704-376-51	Limit Switch Assembly - Right Hand	1
-	9704-376-53	Limit Switch Assembly - Left Hand	1
1	56020-002-01	Cable, 16/3	As Req
2	46026-035-15	Connector, 3/4" Size Hub	2
3	46275-010-31	Connector, 3 Way Shroud	2
4	46200-001-29	Switch, Limit	2
5	46200-505-03	Arm, Lever	2
6	7436-109	Machine Screw, #10 x 3"	4
7	7439-028	Washer, #10 Flat	4
8	7439-003	Lockwasher, #10	4
9	Reference Only	See Control Console Parts Page in this manual	-
10	9704-064-09	Pointer, Limit Switch	2
11	7455-012	Shoulder Screw, 3/8" x 5/8"	2
12	Reference Only	Guide, Pointer - Part of Track Frame Weldment	-
13	9704-064-25	Guard, Limit Switch - Left Side	1
14	9704-064-26	Guard, Limit Switch - Right Side	1
15	7383-038	Capscrew, 3/8" x 1"	2
16	7014-018	Washer, 3/8" Flat	2
17	7014-003	Lockwasher, 3/8"	2
18	9704-064-12	Clamp, Limit Switch	2