







## Table of Contents

BOM	Description	Page
Serial Number 060571		
49999177	Operation Manual Menu Sheet	1
09702BY	Conveyor Common Parts	3
09702EG	Conveyor Liners	7
09702BCC	Conveyor Variable Parts - MS-2	9
09702JL	Electrical Components - MS-2	11
09702FAA	Emblems Assembly - MS-2	13
09702KA	Hopper Flashing Kit	15
09702CDC	Hydraulic Circuit - Pickup Machine	17
09702ABC	Main Frame & Suspension Components	21
09702DAF	Power Mounting Assembly Components	25
09702DDE	Spraydown System - MS Machines	29



File Copy Menu Sheet  
**Operation and Maintenance Instructions**

The following publications compose the Operation & Maintenance Manual for this serial number.

**Equipment Description:**     HOT MIX ASPHALT PICK UP MACHINES      
\_\_\_\_\_

**Part Number:**     49999-177    MS-1, 2 & 3 Pickup Machines    (Form No: 20575)  
\_\_\_\_\_  
\_\_\_\_\_  
\_\_\_\_\_

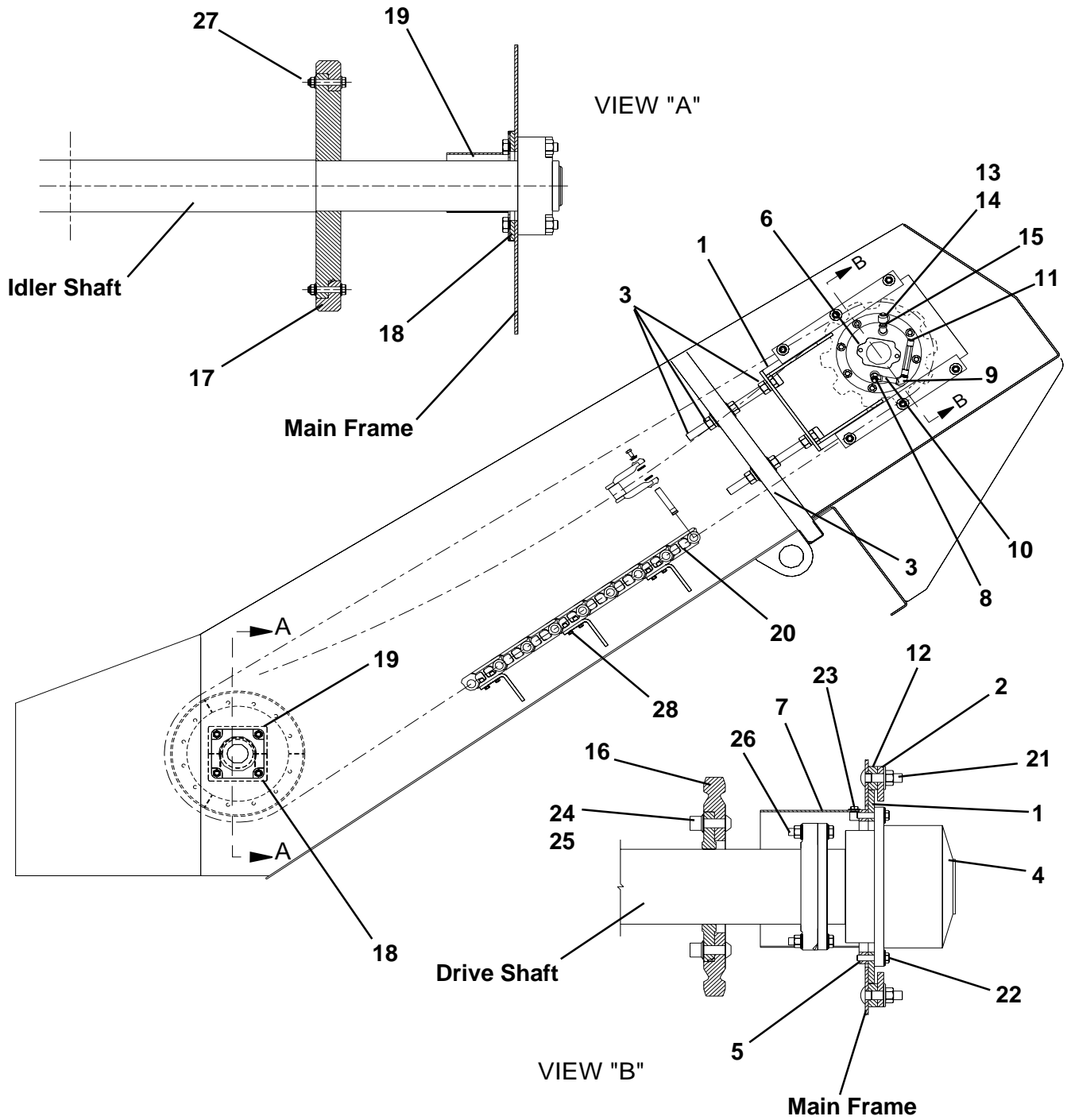
**Include CIMA / AEM Paving Safety Manuals with all Manual Reprint Order Shipments.**  
\_\_\_\_\_  
\_\_\_\_\_  
\_\_\_\_\_

**Note that the following schematic drawings are included in the manual file, and listed here for reference only:**  
\_\_\_\_\_

- **04418-831    Hydraulic Schematic - MS1 and MS2**  
\_\_\_\_\_
- **9702-050-43    Hydraulic Schematic - MS3**  
\_\_\_\_\_
- **04418-772    Electrical Schematic - Early Version MS2, All MS1 & MS3**  
\_\_\_\_\_
- **04495-015    Electrical Schematic - MS-2, with Tier II Cummins engine**  
\_\_\_\_\_
- **04495-016    Electrical Schematic - MS-2, with Tier II John Deere engine**  
\_\_\_\_\_  
\_\_\_\_\_  
\_\_\_\_\_  
\_\_\_\_\_  
\_\_\_\_\_  
\_\_\_\_\_  
\_\_\_\_\_



**Conveyor Common Parts**

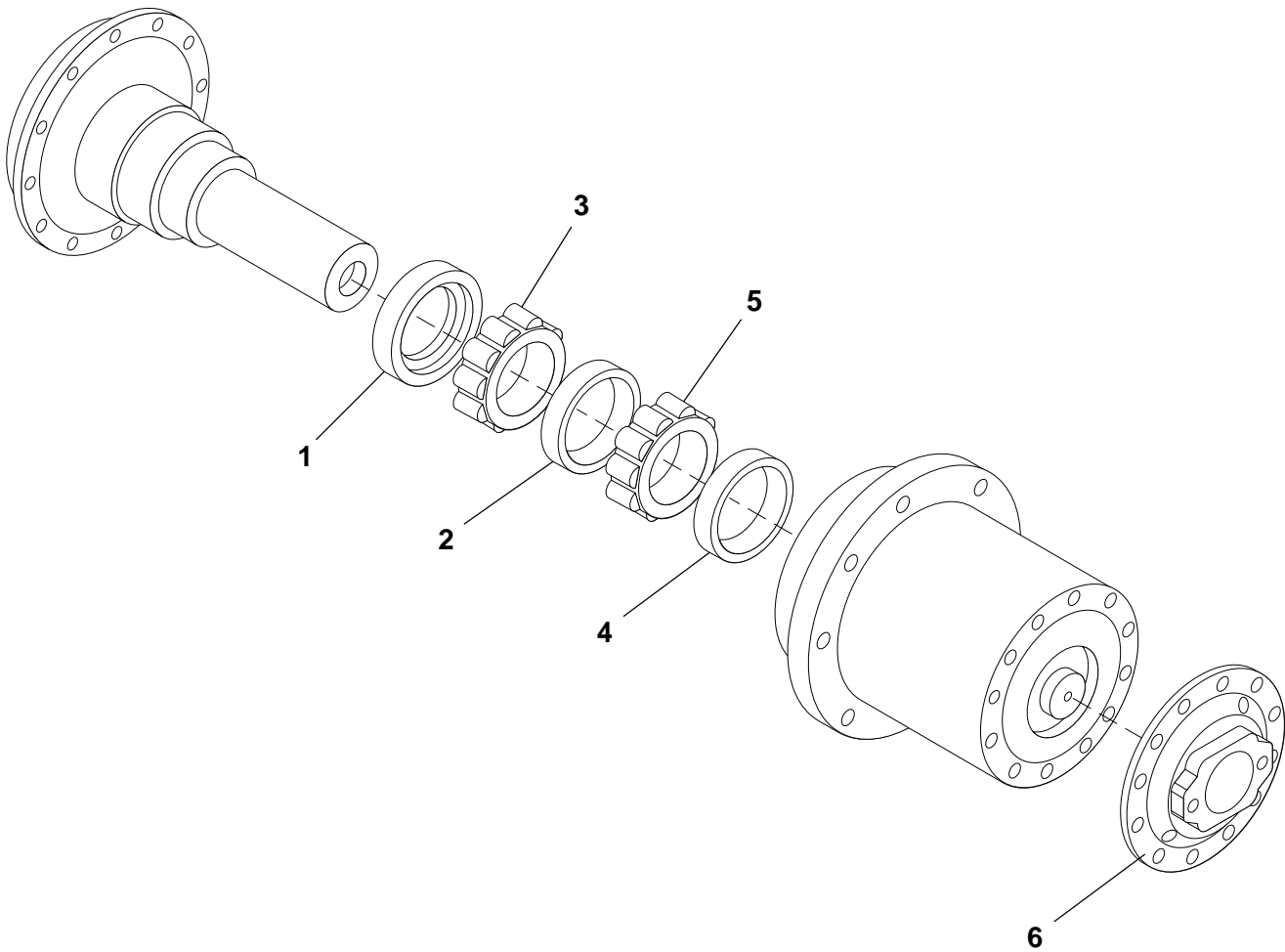


## Conveyor Common Parts

Ref. No.	Part Number	Description	Quantity
1	9702-050-27	Plate, Slide	2
2	9702-050-13	Clamp, Slide Plate	4
3	7155-059	Bolt, Adjusting 1-1/4" NC x 16-1/2"	4
	7014-013	Lockwasher, 1-1/4"	8
	7097-019	Washer, 1-1/4" SAE	10
	7012-034	Nut, 1-1/4" NC	12
4	45635-500-09	Reducer, Conveyor - See Form #21838, This Section	2
5	9702-050-07	Fing, Bolting	2
6	Reference	See Hydraulic Circuit - This Section	-
7	9702-050-08	Guard, Gear Box	2
8	45720-775-01	Tee, Male Run 1/2"	2
9	7085-004	Elbow, 1/2"	2
10	40503-003-50-01	Nipple, 1/2" x 3-1/2"	2
11	45865-001-33	Gage, Level Sight	2
12	9702-050-14	Spacer, Clamp	4
13	7052-008	Breather, 1/4" Air Vent	2
14	45720-769-05	Fitting, 1/2" to 3/8" NPT	2
15	7286-004	Elbow, 1/2" 45° Street	2
16	9702-025-70	Sprocket, Drive - 10 Tooth	2
17	9702-025-58	Idler	2
18	9702-025-15	Guard, Bearing - Lower	2
19	9702-025-14	Guard, Bearing - Upper	2
20	9702-025-87	Slat Chain - Complete	2
	9702-025-87-01	Roller, Heat Treated 2" O.D.	As Req
	Consult Factory	B1 Standard Chain Pitch	As Req
	Consult Factory	B1 Connecting Chain Pitch	As Req
21	7072-174	Carriage Bolt, 3/4" NC	12
	7014-023	Washer, 3/4"	12
	7012-030	Hex Nut, 3/4" NC	12
22	7383-073	Capscrew, 1/2" NC x 2-1/4"	16
	7465-001	Washer, 1/2" Hard Flat	16
23	7383-035	Capscrew, 3/8" NC x 5/8"	6
	7014-018	Washer, 3/8"	6
24	7511-124-24	Huckbolt, 3/4" x 1-1/2"	24
25	7510-124	Huckcollar, 3/4"	24
26	7399-005	Capscrew, 5/8" NC x 3-1/4" Grade 8	16
	7465-002	Washer, 5/8" Hard Flat	32
	45890-100-30	Hex Nut, 5/8" - Grade 8	16
27	7383-075	Capscrew, 1/2" NC x 2-3/4"	24
	7465-001	Washer, 1/2" Hard Flat	48
	45890-102-28	Locknut, 1/2" NC	24
28	45890-303-51	Bolt, 12mm x 1mm x 45mm	152
	45890-301-17	Washer, 12mm - Hard Flat	152
	45890-302-16	Square Nut	152
29	45995-001-26	Adhesive, Thread Locking - (Not Shown)	2



**Conveyor Reducer**

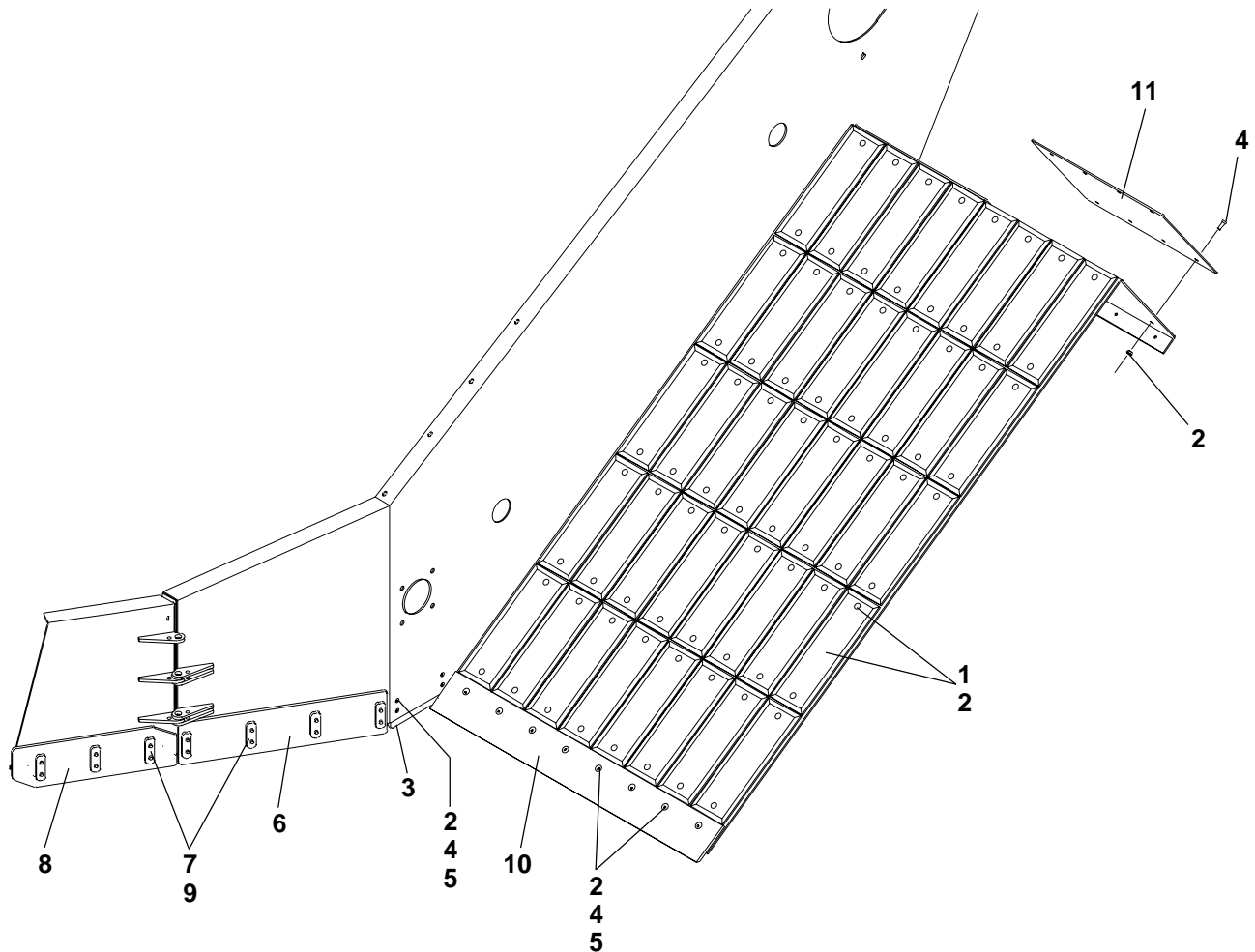


Ref. No.	Part Number	Description	Quantity
	45635-500-09	Reducer - Complete	1
1	45200-284	Seal, Oil	1
2	45130-004-08	Cup, Bearing	1
3	45130-003-08	Cone, Bearing	1
4	45130-004-14	Cup, Bearing	1
5	45130-003-14	Cone, Bearing	1
6	45635-500-06-07	Plate, Cover	1

NOTE: For additional replacement Parts, Please consult Factory.



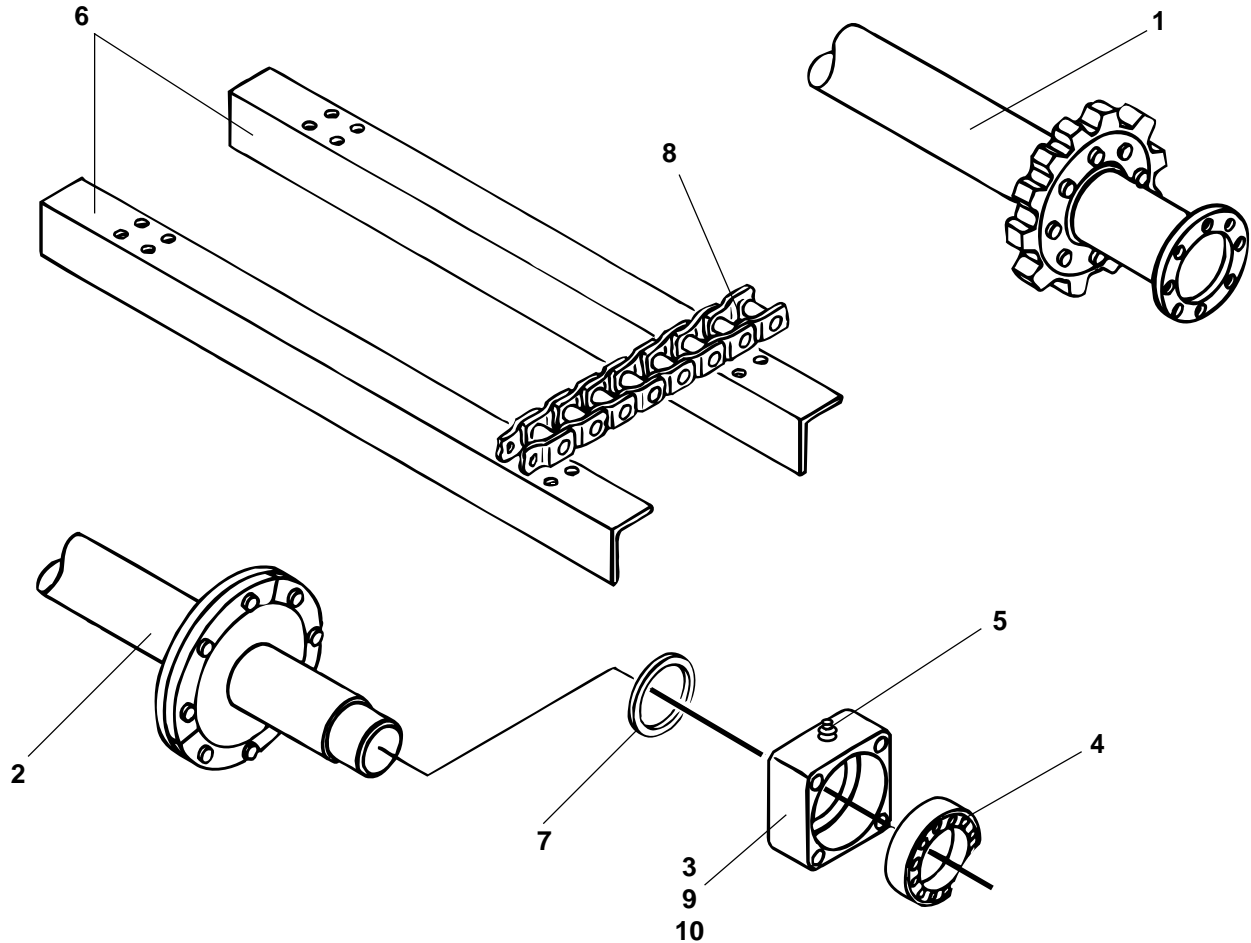
**Conveyor Liners**  
Parts List No 9702EG



Ref. No.	Part Number	Description	Quantity
1	9702-100-13	Liner, Conveyor - High Alloy	40
	7445-025	Plow Bolt, 1/2" x 1-1/2"	80
2	45890-102-28	Locknut, 1/2"	112
3	9702-100-16	Plate, Wear - Blade	2
4	7389-046	Capscrew, 1/2" Sockethead	32
5	7014-020	Washer, 1/2"	16
6	9702-100-17	Plate, Wear - Wing Rear	2
7	9702-100-19	Flat, Nut	14
8	9702-100-18	Plate, Wear - Wing Front	2
9	7014-005	Lockwasher, 1/2"	28
	7383-070	Capscrew, 1/2"	28
10	9702-100-24	Blade, Scraper	1
11	9702-100-26	Liner, Discharge	2



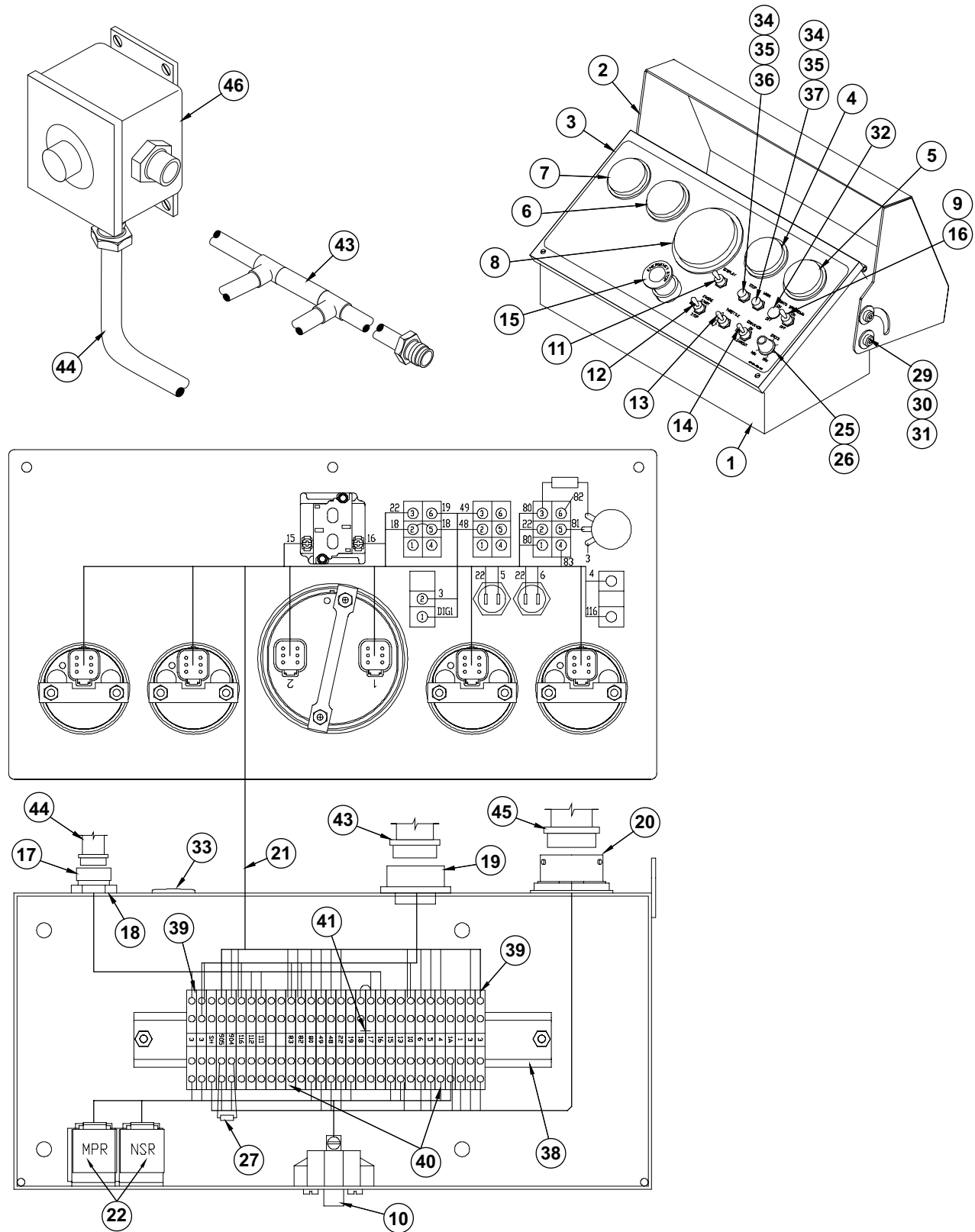
**Conveyor Variable Parts**  
Parts List No. 9702BCC



Ref. No.	Part Number	Description	Quantity
1	9702-026-22	Drive Shaft, Conveyor	1
2	9702-026-12	Idler Shaft, Conveyor	1
	9702-025-38	Flange Bearing - Complete	2
3	9702-025-37	Housing, Bearing	2
4	45125-017-07	Insert, Bearing - 3-7/16"	2
5	7051-001	Grease Fitting, 1/8"	2
6	9702-025-85	Flight, Slat Conveyor	19
7	9702-025-54	Thrust Washer	4
8	Reference Only	Slat Chain - See Conveyor Common Parts, This Section	-
9	7383-126	Capscrew, 3/4" x 4" (Bearing Mounting Hardware)	8
10	7012-030	Hex Nut, 3/4" (Bearing Mounting Hardware)	8



**Electrical Components**





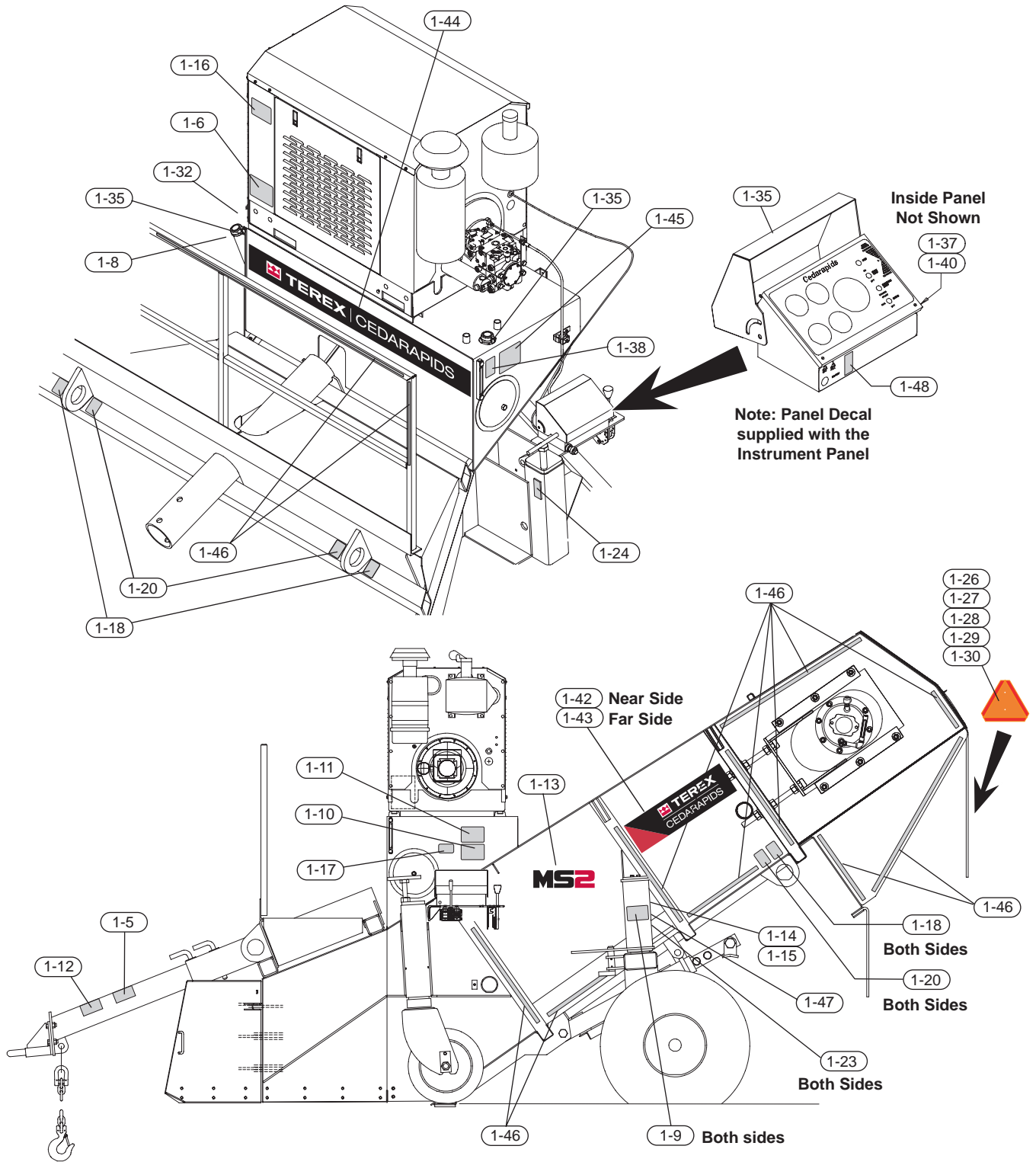
## Electrical Components

Parts List No. 9702JL

Ref. No.	Part Number	Description	Quantity
-	9702-200-62	Control Panel - Engine & Conveyor	1
1	9702-200-63	Enclosure, Control Box	1
2	9702-200-44	Cover, Control Box	1
3	4494-105-33	Emblem, Control Panel	1
4	45865-001-63	Gauge, Oil Pressure	1
5	45865-001-64	Gauge, Water Temperature	1
6	45865-001-65	Gauge, Voltmeter	1
7	45865-001-66	Gauge, Fuel Level	1
8	45865-001-62	Gauge, Tachometer - With Display	1
9	46165-003-01	Breaker, 15Amp Toggle	1
10	46165-001-41	Breaker, 15Amp	1
11	46200-009-11	Switch, Toggle	1
12	46200-009-41	Switch, Toggle	1
13	46200-009-18	Switch, Toggle	1
14	46200-009-08	Switch, Toggle	1
15	46085-401-46	Switch, E-Stop - With Lockout	1
16	46200-506-05	Switch, Boot	1
17	46313-010-74	Receptacle, 5 Pin Female	1
18	46195-001-01	Nut, 1/2" Truseal	1
19	9702-200-69	Harness, MS-2	1
20	9702-200-70	Harness, MS-2 Engine Cummins	1
21	9702-200-73	Harness, MS-2 Control Box Cummins	2
22	46325-002-43	Relay, Automotive	2
25	9702-200-84	Potentiometer, Speed - Conveyor	1
26	46075-500-06	Knob, Potentiometer	1
27	Consult Factory	Resistor, 120 Ohm 3W	1
29	7455-012	Screw, Shoulder 3/8" x 5/8"	4
30	7014-018	Washer, 3/8"	4
31	45890-102-02	Locknut, 5/16"	4
32	46295-001-08	Cover, 1/2" Nylon	1
33	46295-001-01	Cover, 7/8" Nylon	1
34	46061-500-62	Socket, Lamp	2
35	46270-002-44	Lamp, 14VDC	2
36	46270-500-36	Lens, Red Jeweled	1
37	46270-500-22	Lens, Amber Jeweled	1
38	Consult Factory	Rail, 35mm Din	As Req
39	Consult Factory	Block, Terminal	4
40	Consult Factory	Block, Terminal	26
41	Consult Factory	Jumper, 2 Position	1
42	Consult Factory	Marker Strip	2
43	9702-200-56	Harness, Main - EDC & Fuel Control	1
44	56020-013-71	Cable, 15' 5 Pin - E-Stop	1
45	9702-200-57	Cable, Engine Interconnect	1
46	9702-200-16	Control, E-Stop - Complete	1
-	46085-401-46	Swtich, E-Stop - Push/Pull	1



**Emblems**



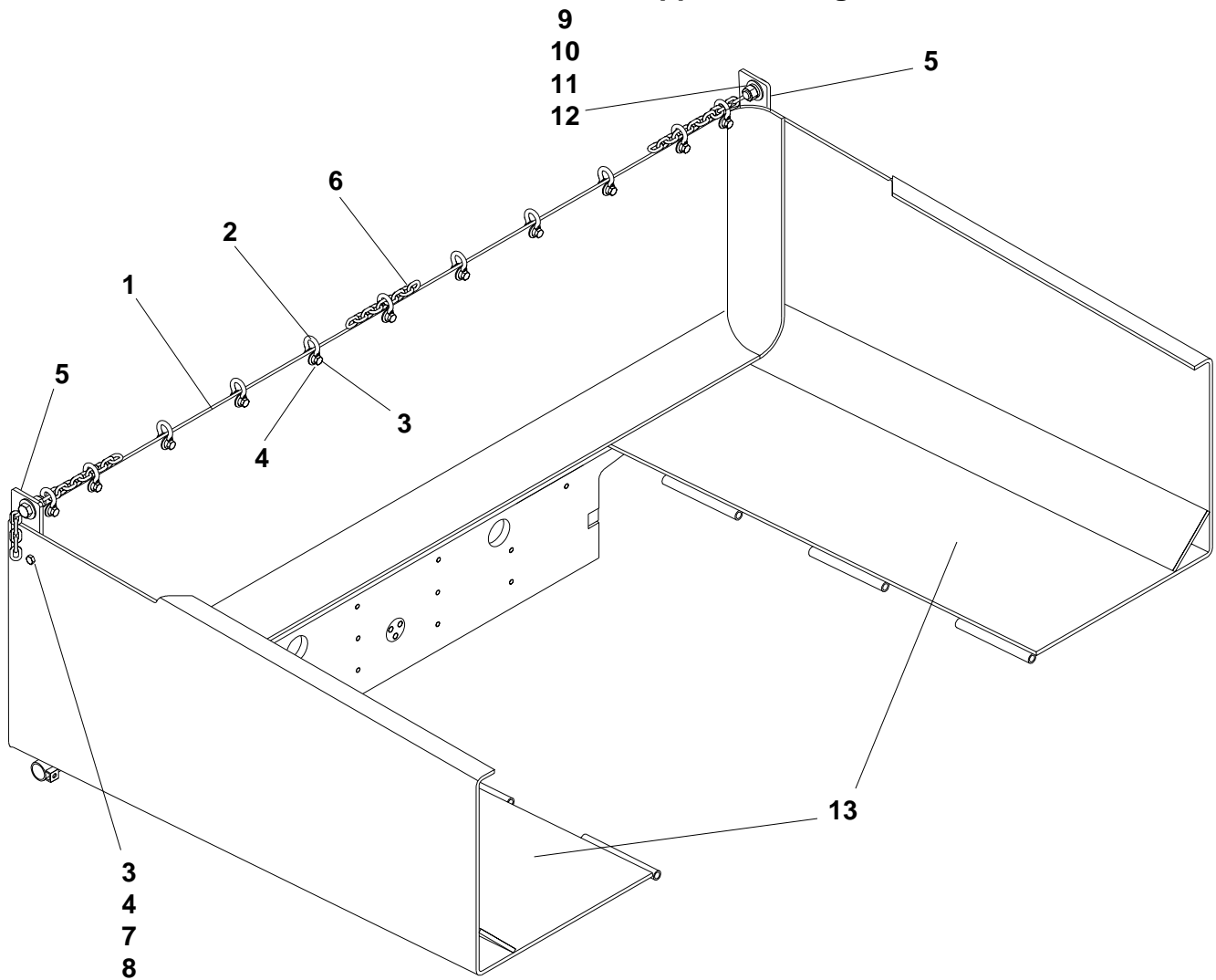


## Emblems

Parts List No. 09702FAA

Ref. No.	Part Number	Description	Quantity
1-5	04491-500-30	Emblem, Braking Hazard	1
1-6	04490-400-01	Emblem, Danger Battery Explosion	1
1-8	04418-135-11	Emblem, Diesel	1
1-9	04491-500-13	Emblem, Warning Wheel Lugs	2
1-10	04491-500-05	Emblem, Warning Hearing Hazard	1
1-11	04491-500-16	Emblem, Warning Lockout Ent.	1
1-12	04491-500-12	Emblem, Warning Highway Towing	1
1-13	04494-033-09	Emblem, MS-2	2
1-14	04493-033	Emblem, Serial Plate	1
1-15	07073-013	Drive Screw, #6 x 1/4"	2
1-16	04418-955	Emblem, USA Flag	1
1-17	04418-720	Emblem, Engine Oil Drain	1
1-18	04493-500-01	Emblem, Lifting Point - ISO	4
1-20	04493-500-03	Emblem, Tie Down Point - ISO	4
1-23	46010-600-07	Reflector, Red	2
1-24	46010-600-08	Reflector, Amber	2
1-26	04418-197	Emblem, SMV Sign	1
1-27	07383-038	Capscrew, 3/8" x 1"	2
1-28	07014-018	Washer, 3/8"	2
1-29	07014-003	Lockwasher, 3/8"	2
1-30	07012-025	Hex Nut, 3/8"	2
1-32	04418-925	Emblem, Paver Lube Plate	1
1-35	46000-004-04	Padlock, Master	7
1-37	04418-831	Laminated Hyd. Schematic (Shipped loose in control panel)	1
1-38	04418-836	Emblem, Hydraulic Reservoir	1
1-40	04495-015	Laminated Elect. Schematic (Shipped loose in control panel)	1
1-42	04494-033-11	Emblem, Terex/CRI MS-2 LH	1
1-43	04494-033-10	Emblem, Terex/CRI MS-2 RH	1
1-44	04494-033-12	Emblem, Terex/CRI Front	1
1-45	04491-500-10	Emblem, Warning Fluid Injection	1
1-46	46010-600-06	Tape, 1" White	As Req
1-47	04418-866	Emblem, Patent	1
1-48	04493-500-04	Emblem, Operator Panel	1

**Hopper Flashing Kit**



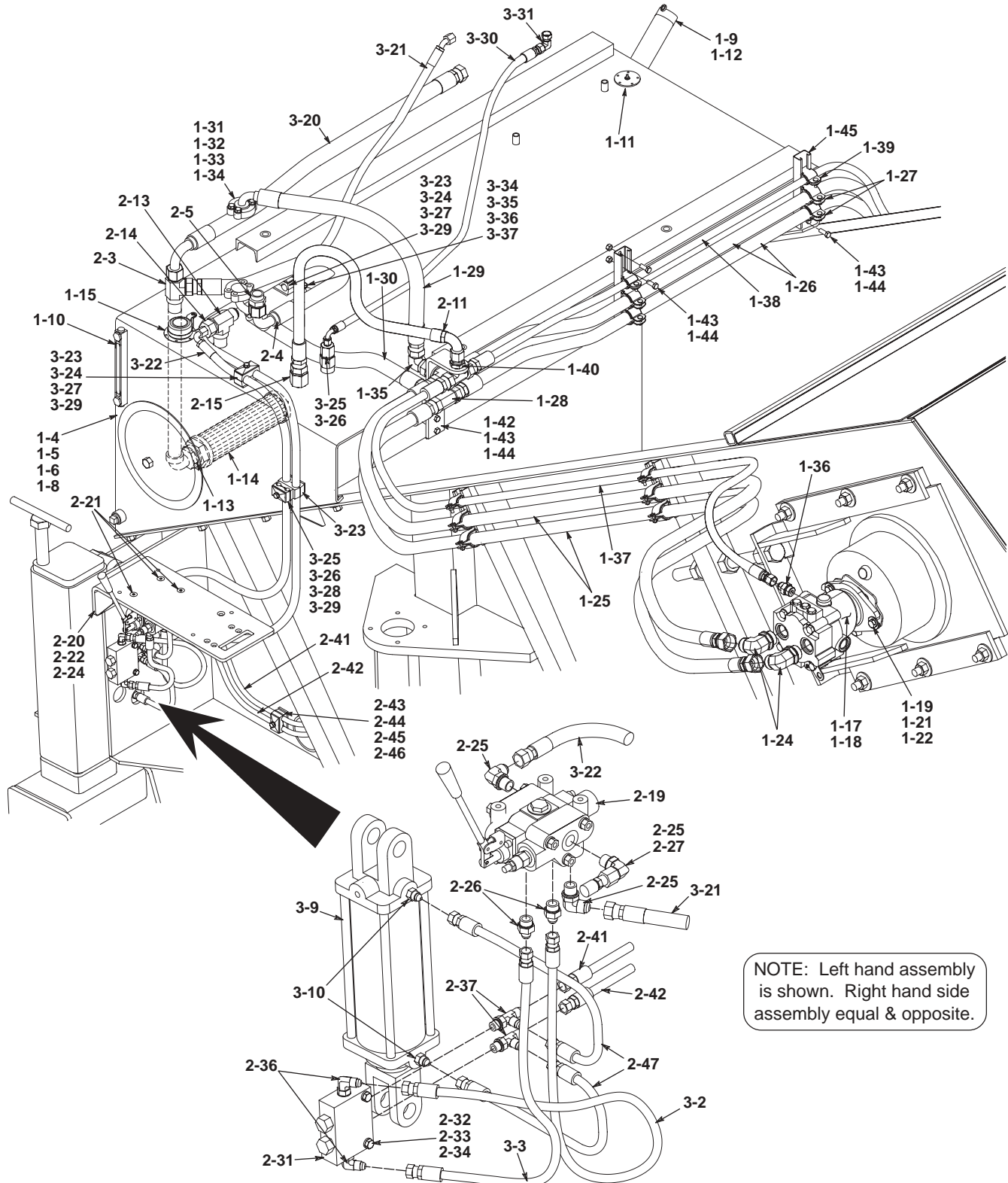
Ref. No.	Part Number	Description	Quantity
	9702-003-56	Kit, Hopper Flashing - Complete	
1	9702-003-54	Deflector, Belting	1
2	7262-009	Clevis	11
3	7383-102	Capscrew, 5/8" x 1-3/4"	15
4	7014-022	Washer, 5/8" Flat	37
5	9702-003-55	Flat	2
6	50005-950-04	Chain	12'
7	7014-007	Lockwasher, 5/8"	4
8	7012-007	Hex Nut, 5/8"	4
9	7383-153	Capscrew, 1" x 2-1/4"	2
10	7014-025	Washer, 1" Flat	4
11	7014-011	Lockwasher, 1"	2
12	7012-032	Hex Nut, 1"	2
13	Reference	See Paver Hopper Wings - Separate manual	





CEDARAPIDS

Hydraulic Circuit



NOTE: Left hand assembly is shown. Right hand side assembly equal & opposite.



## CEDARAPIDS

## Hydraulic Circuit

Parts List No. 09702CDC

Ref. No.	Part Number	Description	Quantity
1-4	9702-075-76	Reservoir, Hydraulic	1
1-5	7072-101	Carriage Bolt, 1/2" x 1-1/4"	8
1-6	7014-020	Washer, 1/2"	8
1-8	7012-027	Hex Nut, 1/2"	8
1-9	45215-501-05	Cap, Fuel	1
1-10	45865-001-30	Gauge, Oil Level	1
1-11	45215-512-01	Sender, Fuel Level	1
1-12	9702-075-77	Breather, Filler	1
1-13	7107-040	Bushing, 2" x 1"	1
1-14	45080-510-36	Strainer	1
1-15	45080-519-15	Breather, Filler	1
1-17	45080-006-36	Motor, Hydraulic	2
1-18	45240-125-52	O-Ring	2
1-19	7383-071	Capscrew, 1/2" x 1-3/4"	4
1-21	7014-005	Lockwasher, 1/2"	4
1-22	7014-020	Washer, 1/2"	4
1-24	7430-284	Elbow, 3/4" x 1"	4
1-25	7683-099-33-01	Hose Assembly, Left Conveyor Pressure	2
1-26	7683-143-33-01	Hose Assembly, Right Conveyor Pressure	2
1-27	45080-529-08	Clamp, 1-1/4"	12
1-28	7430-433	Tee, 1"	2
1-29	7684-029-37-01	Hose Assembly, Pump Pressure - Upper	1
1-30	7684-025-36-01	Hose Assembly, Pump Pressure - Lower	1
1-31	45191-004-91	Clamp, Half 1"	4
1-32	45259-508-11	O-Ring	2
1-33	7383-056	Capscrew, 7/16"	8
1-34	7014-004	Lockwasher, 7/16"	8
1-35	7430-406	Elbow, 90° 1"	1
1-36	7430-256	Connector, 1/2" x 5/8"	2
1-37	7652-096-33	Hose Assembly, Left Conveyor Return	1
1-38	7652-140-33	Hose Assembly, Right Conveyor Return	1
1-39	45080-529-18	Clamp, 3/4"	6
1-40	7430-446	Tee, 3/4" Bulkhead	1
1-41	7430-330	Reducer, 3/4" x 1/2"	2
1-42	9702-075-66	Bracket, Tee Mounting	1
1-43	7383-038	Capscrew, 3/8" x 1"	6
1-44	7012-025	Hex Nut, 3/8"	6
1-45	9702-075-72	Channel, Hose Clamp Mounting	2
2-3	7430-144	Tee, 1"	1
2-4	7634-026-35	Hose Assembly, Pump Return	1
2-5	7430-268	Connector, 1-5/8" x 1" - with #4-1 O-Ring	1
2-11	7653-024-35-01	Hose Assembly, Pump Case Return	1
2-13	7430-166	Tee, 1"	1
2-14	7430-409	Reducer, 1" x 1/2"	2
2-15	7430-065	Connector, 1" x 1"	2

- Continued on Next Page -



## CEDARAPIDS

## Hydraulic Circuit

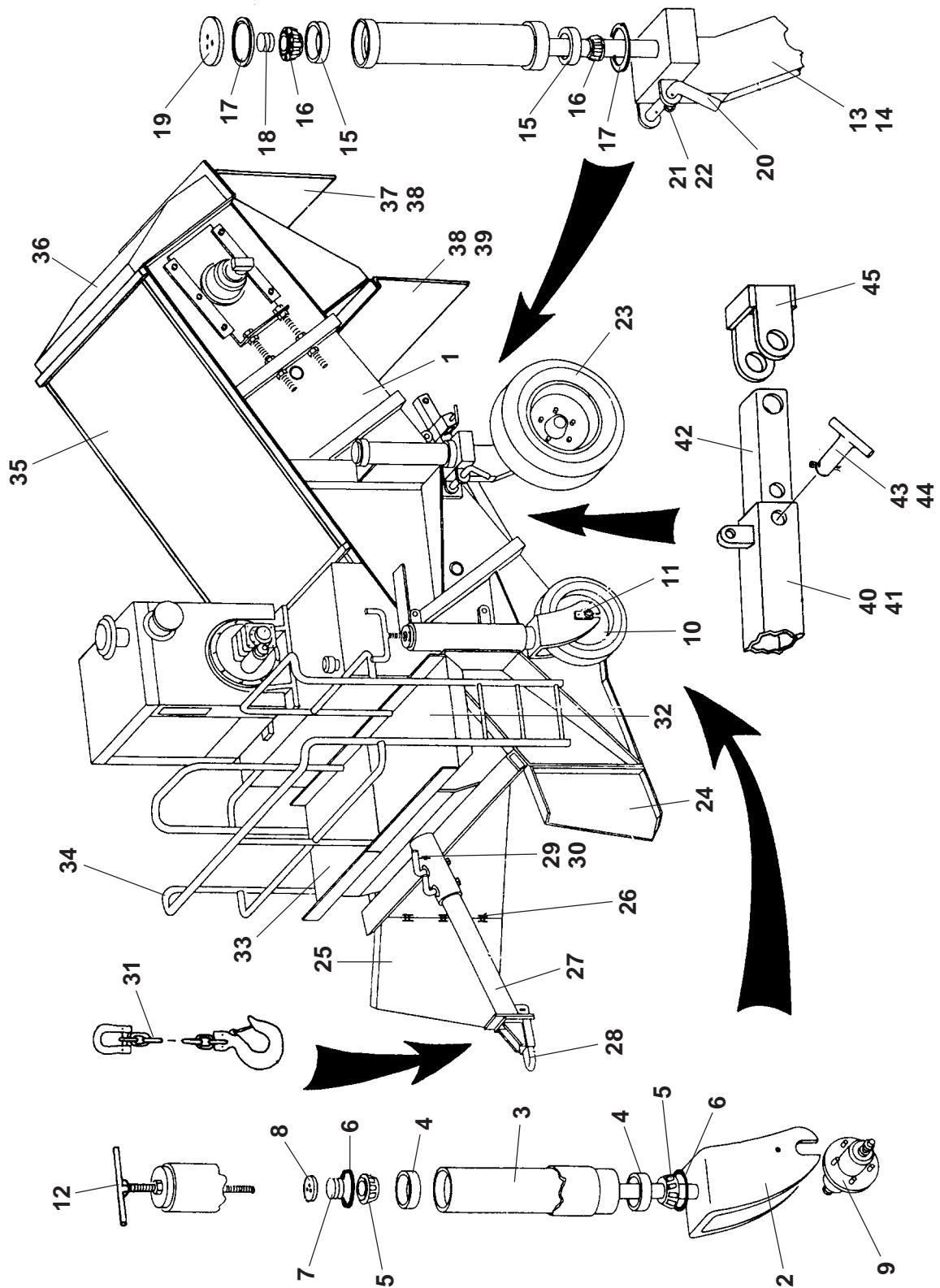
Parts List No. 09702CDC

Ref. No.	Part Number	Description	Quantity
2-19	45252-005-52	Valve, SAE 1/2"	1
2-20	9702-002-94	Mount, Valve	1
2-21	7389-023	Capscrew, 3/8" x 3/4" Sockethead	3
2-22	7383-070	Capscrew, 1/2" x 1-1/2"	2
2-24	7012-027	Hex Nut, 1/2"	2
2-25	7430-279	Elbow, 90° 7/8" x 1/2" - with #4-2 O-Ring	3
2-26	7430-253	Connector, 3/4" x 3/8" - with #4-3 O-Ring	2
2-27	45080-527-16	Fitting, Test 1/2"	1
2-28	7430-414	Elbow, 1/2" Swivel	1
2-31	45259-006-83	Valve, Lock	1
2-32	7383-027	Capscrew, 5/16" x 2-1/4"	2
2-33	7014-002	Lockwasher, 5/16"	2
2-34	7012-024	Hex Nut, 5/16"	2
2-36	7430-275	Elbow, 90° 9/16" x 3/8" - with #4-4 O-Ring	2
2-37	7430-291	Tee, 3/8" Run - with #4-5 O-Ring	2
2-41	7650-119-35-01	Hose Assembly, Top Right Cylinder	1
2-42	7650-113-35-01	Hose Assembly, Bottom Right Cylinder	1
2-43	45080-529-23	Clamp Half, 1/2" Tube	4
2-44	45080-529-26	Plate, Clamp Cover	2
2-45	7383-024	Capscrew, 5/16" x 1-1/2"	2
2-46	7014-002	Lockwasher, 5/16"	2
2-47	7650-014-33-03	Hose Assembly, Left Cylinder	2
3-2	7650-020-33-03	Hose Assembly, Lock Valve - Upper	1
3-3	7650-014-33-03	Hose Assembly, Lock Valve - Lower	1
3-9	45090-010-19	Cylinder, Hydraulic	2
3-10	7430-253	Connector, 3/4" x 3/8" with #4-3 O-Ring	4
3-12	46005-503-04	Washer, Reducing	6
3-20	7634-033-35	Hose Assembly, Auxilliary Pump Suction	1
3-21	7652-102-34	Hose Assembly, Auxilliary Pump Pressure	1
3-22	7652-053-35	Hose Assembly, Valve Return - Reservoir	1
3-23	45080-529-24	Clamp Half, 5/8" Tube	6
3-24	45080-529-27	Plate, Clamp Cover	3
3-25	7430-409	Reducer, 1" x 1/2"	1
3-26	7430-065	Connector, 1" x 1"	1
3-27	7383-025	Capscrew, 5/16" x 1-3/4"	3
3-29	7014-002	Lockwasher, 5/16"	3
3-30	7652-070-35	Hose Assembly	1
3-31	7430-405	Elbow, 1/2" Swivel	1
3-34	45080-529-35	Clamp Half, 1" Tube	2
3-35	45080-529-27	Plate, Clamp Cover	1
3-36	7383-025	Capscrew, 5/16" x 1-3/4"	1
3-37	7014-002	Lockwasher, 5/16"	1
4-1	45259-508-70	O-Ring, 1-5/8" (For hydraulic fittings)	As Req
4-2	45259-508-71	O-Ring, 7/8" (For hydraulic fittings)	As Req
4-3	45259-508-14	O-Ring, 3/4" (For hydraulic fittings)	As Req
4-4	45259-508-13	O-Ring, 9/16" (For hydraulic fittings)	As Req
4-5	45259-508-12	O-Ring, 7/16" (For hydraulic fittings)	As Req





Main Frame & Suspension

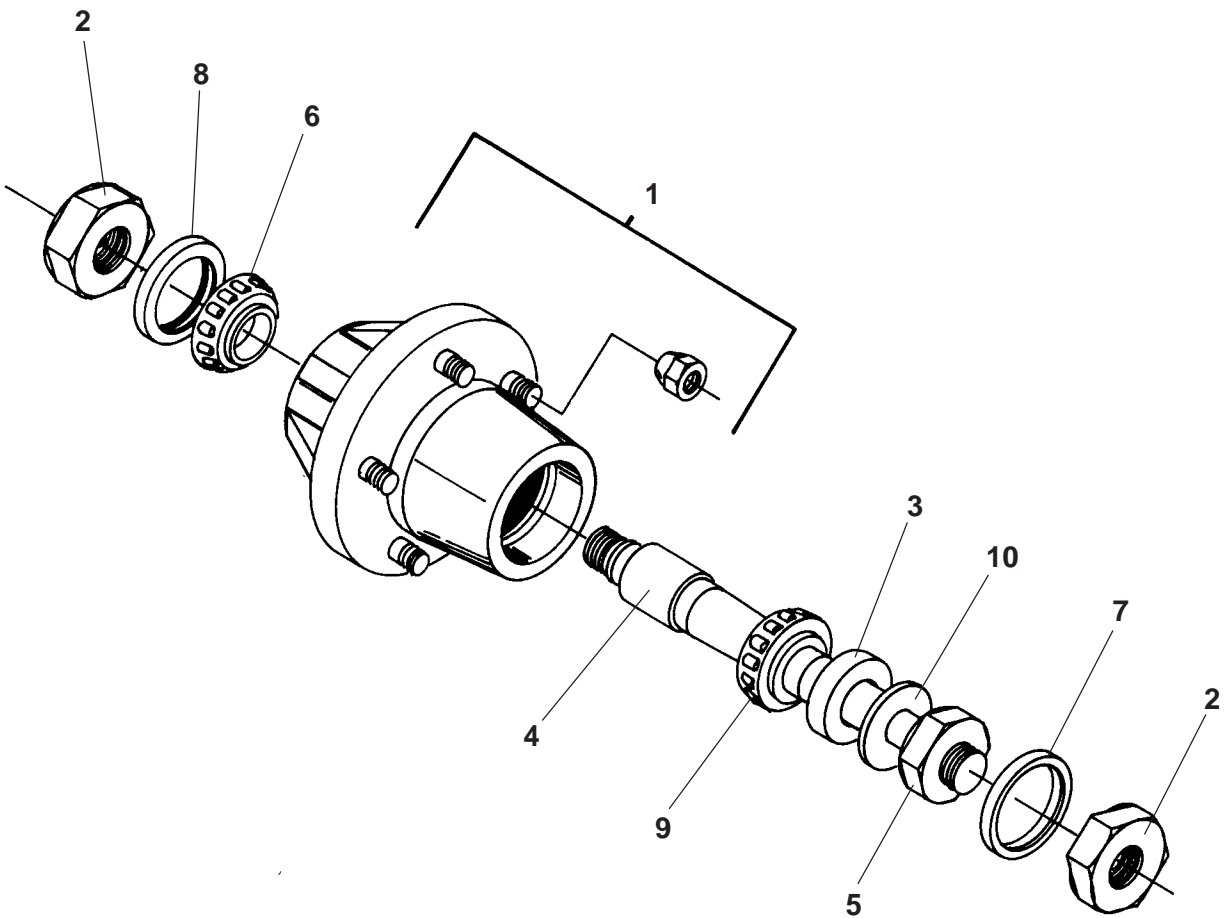




Main Frame & Suspension  
Parts List No. 9702ABC

Ref. No.	Part Number	Description	Quantity
1	Consult Factory	Main Frame - MS-2 Pickup Machine	1
2	9702-002-71	Caster, Front	2
3	9702-002-25	Tube, Inside	2
4	7306-001	Cup, Bearing	4
5	7306-018	Cone, Bearing	4
6	45200-242	Seal, Oil	4
7	9702-000-12	Shim Pack, Bearing	2
8	9702-002-75	Cap, Caster Front	2
9	9702-001-73	Wheel Hub Assembly - See Form 19330, Following Page	2
10	9702-001-62	Wheel Assembly - Tire & Rim	2
11	{ 9702-000-10	Flat, Keeper	4
	{ 7383-036	Capscrew, 3/8" x 3/4"	4
12	{ 9702-002-56	Bolt, Adjusting Spindle	2
	{ 7012-034	Hex Nut, 1-1/4"	2
13	9702-002-88	Caster, Left (Shown)	1
14	9702-002-89	Caster, Right (Not Shown)	1
15	45130-002-20	Cup, Bearing	4
16	45130-001-88	Cone, Bearing	4
17	45200-287	Seal, Oil	4
18	7250-005	Shim Pack	2
19	9702-002-86	Cap, Caster Rear	2
20	9702-002-85	Pin, Locking - Rear Caster	2
21	7238-120	Roll Pin	2
22	45890-800-27	Retainer, Hair Pin	2
23	9702-000-40	Wheel Assembly - Tire & Rim	2
24	9702-002-11	Wing, Front - Left	1
25	9702-002-12	Wing, Front - Right	1
26	{ 45890-750-12	Pin	2
	{ 45890-800-30	Ring, Split	2
	{ 9704-556-04	Chain	2
27	9702-000-19	Tongue, Pull	1
28	9702-000-20	Hitch, Pull Tongue	1
29	9702-000-26	Pin, Retainer - Pull Tongue	2
30	45890-800-27	Retainer, Hair Pin	2
31	{ 9702-000-52	Chain, Safety (Early models prior to 2006)	1
	{ 9702-004-58	Chain, Safety (Current models as of 2006)	1
32	9702-075-63	Platform, Left Engine	1
33	9702-075-62	Platform, Right Engine	1
34	9702-003-29	Railing, Platform	1
35	9702-002-98	Cover, Conveyor	1
36	9702-003-01	Cover, Conveyor	1
37	9702-003-02	Deflector, Upper Discharge	1
38	9702-000-60	Flat, Clamp	2
39	9702-000-61	Deflector, Lower Discharge	1
40	9702-002-90	Push Arm, Right Outer	1
41	9702-002-91	Push Arm, Left Outer	1
42	9702-000-33	Push Arm, Inner	2
43	9702-000-36	Pin	2
44	45890-800-27	Retainer, Hair Pin	2
22 <sup>45</sup>	9702-001-52	Bracket, Paver Attachment	2

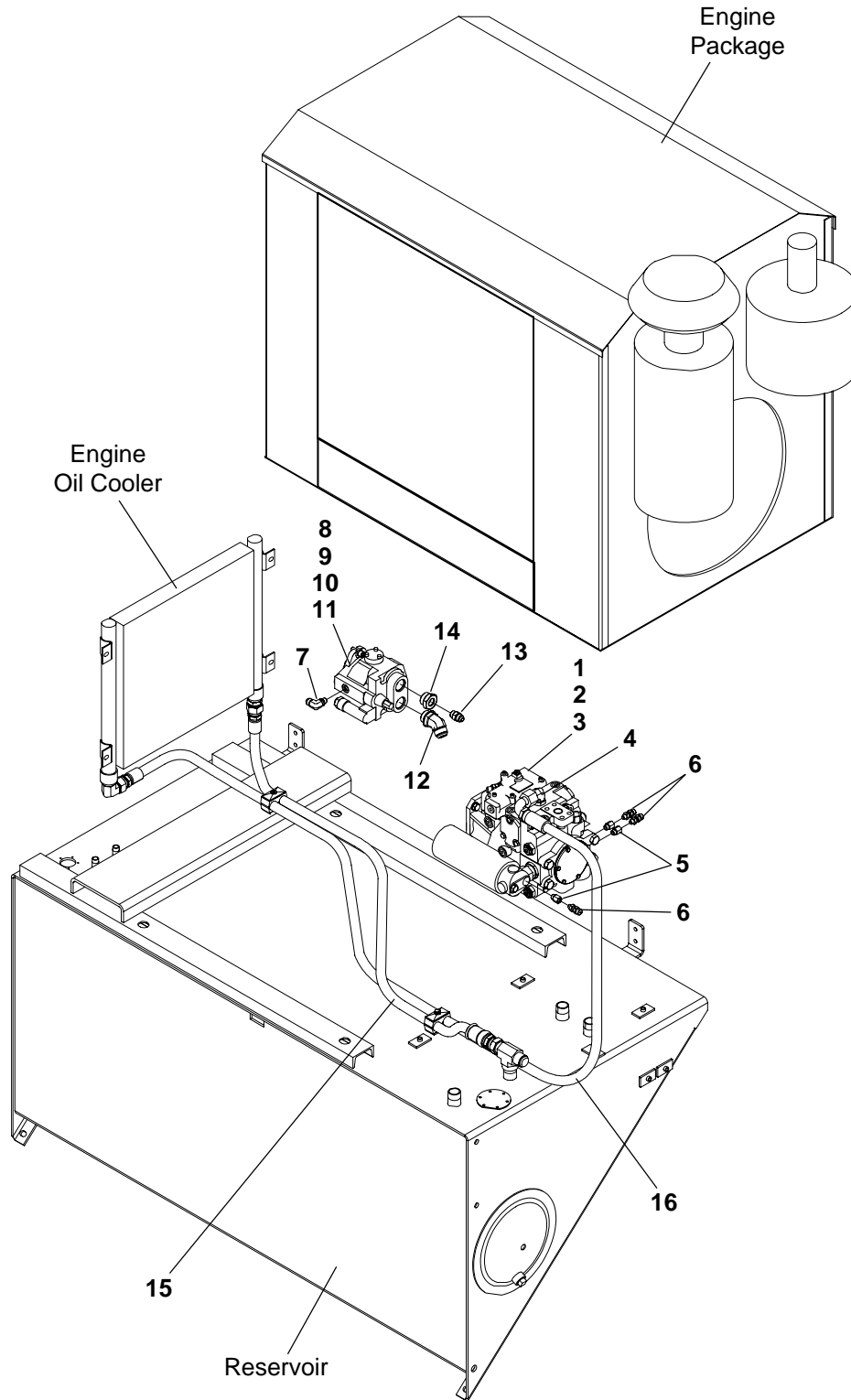
Wheel Hub Assembly



Ref. No.	Part Number	Description	Quantity
	9702-001-73	Hub, Wheel - Complete	-
1	45401-250-17-01	Hub - Includes Bearing Cups & Hardware	1
2	9702-000-47	Nut, Hex 1-1/4"	2
3	9702-001-60	Spacer	1
4	9702-001-61	Shaft	1
5	45401-250-18-01	Nut, Hex 1-1/4"	1
6	45130-001-08	Cone, Bearing	1
7	45200-283	Seal, Oil	1
8	45200-045	Seal, Oil	1
9	45130-008-05	Cone, Bearing	1
10	7097-018	Washer, 1-1/8"	1



**Power Mounting Assembly**





## Power Mounting Assembly

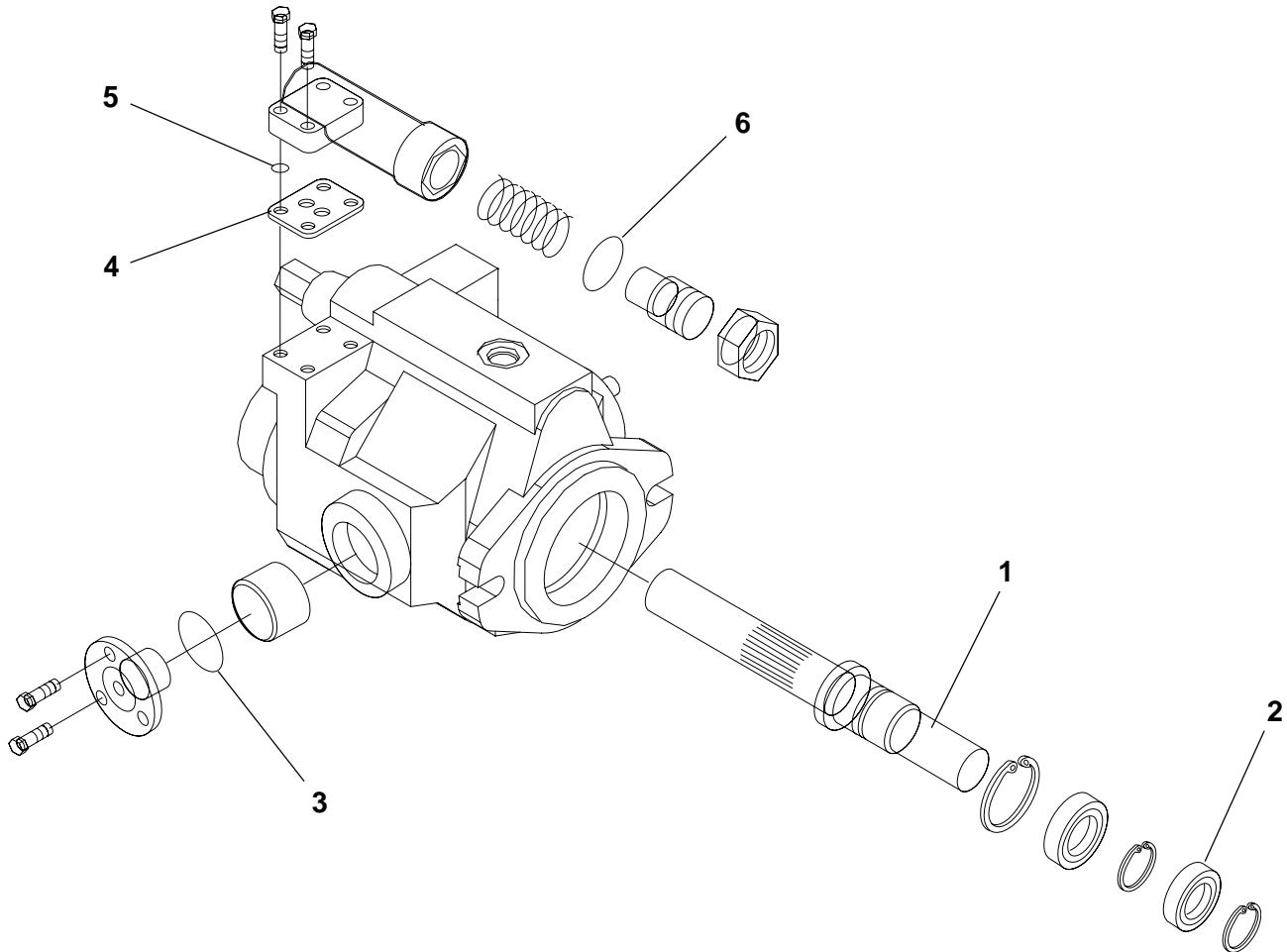
Parts List No 9702DAF

Ref. No.	Part Number	Description	Quantity
-	45930-001-64	Engine, Cummins QSB4.5 Diesel (Includes items 1-16)	1
1	45080-002-74	Pump, Conveyor - Variable Displacement	1
	45080-002-74-01	Pump Filter	As Req
	45080-002-74-02	EDC Controller	As Req
2	7383-070	Capscrew, 1/2" x 1-1/2"	4
3	7014-005	Lockwasher, 1/2"	4
4	7430-282	Elbow, 90° 3/4"	1
5	45720-775-54	Reducer Fitting, 1/4" x 3/8"	3
6	45080-527-04	Test Fitting, 1/4"	3
7	7430-277	Elbow, 90° 1/2" x 9/16"	1
8	45890-300-02	Capscrew, M10 x 30	2
9	45890-301-10	Washer, M10 Style 79	2
10	9700-434	Gasket, Pump	1
11	45080-002-24	See Auxiliary Pump Assembly - Following Page	1
12	7430-320	Elbow, 45° 1" x 1-5/16"	1
13	7430-255	Connector, 1/2" x 1/2"	1
14	45720-775-28	Reducer, 1/2" x 1"	1
15	7653-058-33-02	Hose Assembly - Cooler to Reservoir Tee	1
16	7653-098-35-01	Hose Assembly - Cooler to Conveyor Pump	1
<u>Additional Mounting Hardware not identified on illustration</u>			
17	7383-116	Capscrew, 3/4" x 1-1/2" (Engine Mounting)	4
18	7014-009	Lockwasher, 3/4" (Engine Mounting)	4
19	45080-529-35	Clamp Half, 1"	2
20	45080-529-27	Plate, Cover for Clamp	1
21	7383-025	Capscrew, 5/16" x 1-3/4"	1
22	7014-002	Lockwasher, 5/16"	1

Note: Additional replacement parts are included with this Engine Package.

Consult Cedarapids Product Support for more detailed parts information.

**Auxiliary Pump**



Ref. No.	Part Number	Description	Quantity
-	45080-002-24	Auxiliary Pump - Complete	-
1	45080-002-24-03	Spline, 9-Tooth	1
2	45080-002-10-03	Seal, Shaft	1
3	Consult Factory	O-Ring	2
-	Consult Factory	Control Kit - PC (3000 PSI)	-
4	45080-002-10-02	Gasket	1
5	45080-002-10-01	O-Ring	1
6	Consult Factory	O-Ring	1
7	45080-002-24-01	Seal Kit - Complete	1

**NOTE:** Only replacement parts identified. For further parts breakdown please consult factory.



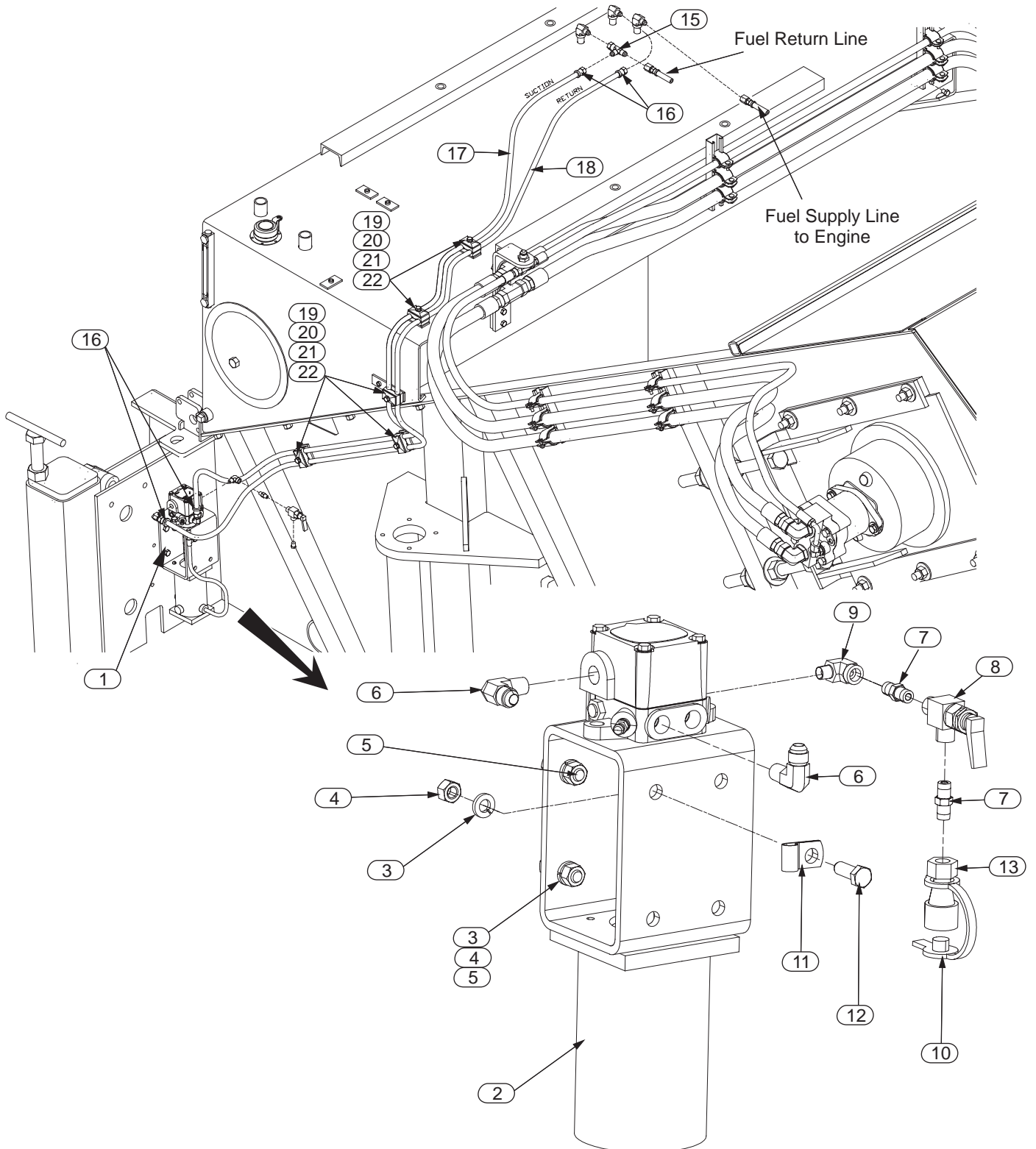




CEDARAPIDS

Spraydown System

Parts List No. 09702DDE





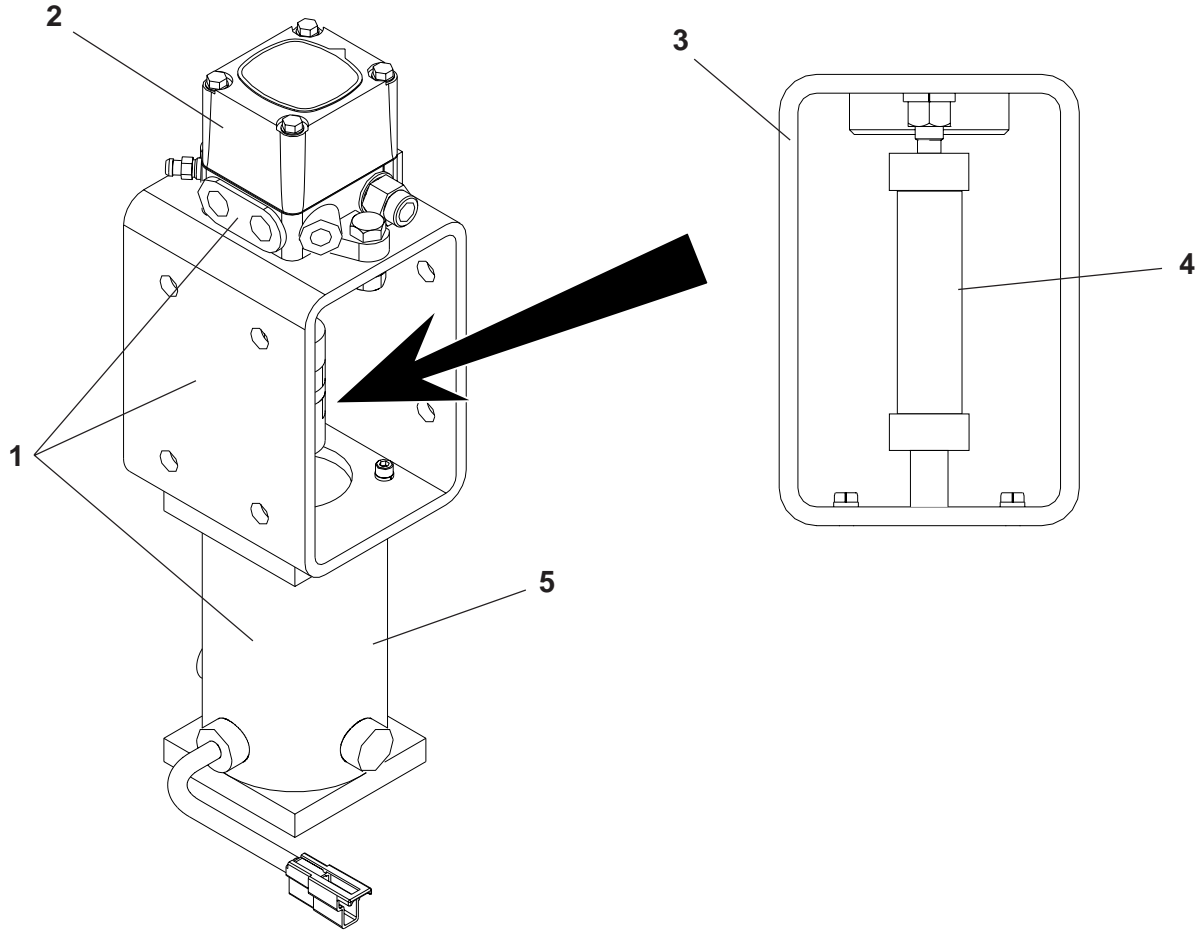
## CEDARAPIDS

## Spraydown System

Parts List No. 09702DDE

Ref #	Part Number	Part Name	Description	Qty
1	0970830026	SUB-ASSY	FUEL PUMP	1
2	4565252811	FUEL PUMP	(See Form 21900)	1
3	07014003	WASHER	3/8" LOCK	5
4	07012025	HEXNUT	3/8" NC	5
5	07383039	CAPSCREW	3/8"NC X 1-1/4	4
6	07430019	ELBOW	1/4"PIPE X #6 JIC	2
7	4572077054	NIPPLE	1/8" PARKER	2
8	4525200464	VALVE	TOGGLE OPERATED SHUT OFF	1
9	4572077001	ELBOW	FITTING	1
10	451915042901	PLUG	DUST	1
11	07509002	CLAMP	3/8"	1
12	07383038	CAPSCREW	3/8" NC X 1"	1
13	451915042903	COUPLER	1/8"NPT BRASS	1
14	0970445415	HOSE	SPRAY DOWN W/DISCONNECT (Not Shown)	1
15	07430344	TEE	3/8"	1
16	07431008	HOSE END	3/8"HOSE SWIVEL	4
17	5003000202	HOSE	3/8" ID	8.8'
18	5003000202	HOSE	3/8" ID	9.2'
19	4508052924	CLAMP HALF	FOR 5/8" TUBE	10
20	4508052926	PLATE	COVER FOR CLAMP	5
21	07383024	CAPSCREW	5/16"NC X 1-1/2	5
22	07014002	WASHER	5/16" LOCK	5

**Fuel Pump**



Ref. No.	Part Number	Description	Quantity
1	45652-528-11	Pump, Fuel - Complete	1
2	45652-528-11-01	Pump, Fuel	1
3	9704-555-80	Mount, Fuel Pump	1
4	45652-528-11-03	Coupling, 7/16" x 1/2"	1
5	9704-316-07	Motor, Fuel Pump w/Seal	1
	46098-400-14	Motor, Electric	1
	9704-316-08	Washer, Motor Seal	1
	45210-001-14	V-Seal - V-12S	1

