

SP1 FITTINGS

2025 PRODUCT CATALOGUE



PHONE: 1-250-954-7510

SALES@SP1FITTINGS.COM

SP1FITTINGS.COM

HEAD OFFICE:
1441 EAST ISLAND HWY E.
NANOOSE BAY, BRITISH COLUMBIA V9P 9A3





About SP1 Fittings

At SP1 Fittings, we specialize in high-quality HDPE (High-Density Polyethylene) fittings, engineered for durability, performance, and efficiency. Whether you're working in municipal infrastructure, agriculture, mining, or industrial applications, our fittings are built to withstand the toughest environments while ensuring a secure, leak-free connection.

Our Mission

We are committed to providing reliable, high-performance HDPE fittings that help businesses and industries operate more efficiently. With a focus on quality, innovation, and customer service, we deliver products that meet the highest industry standards.

Why Choose SP1 Fittings?

- ✓ Premium HDPE Material – Our fittings are designed for superior strength, corrosion resistance, long-term durability.
- ✓ Precision Engineering – Manufactured with advanced techniques, ensuring perfect fit and leak-proof and performance.
- ✓ Industry Expertise – With years of experience in HDPE solutions, we provide expert advice and tailored solutions.
- ✓ Sustainable & Cost-Effective – HDPE is known for its eco-friendliness, longevity, and low maintenance, making it the best choice for modern infrastructure.
- ✓ Fast & Reliable Service – We prioritize quick turnaround times, competitive pricing, and exceptional customer support.

Industries We Serve

Municipal Water & Sewer Systems


Agriculture & Irrigation

Mining & Industrial Applications

Energy & Natural Resources

Construction & Infrastructure

At SP1 Fittings, we are more than just a supplier—we are a trusted partner in delivering top-tier HDPE solutions that stand the test of time.

 Contact us today to learn more about our HDPE fittings and how we can support your project!



SP1 FITTINGS LIMITED WARRANTY

SP1 Fittings, Inc. provides a one-year warranty for its products, ensuring they are free from manufacturing defects in material and workmanship when used properly under normal conditions. This warranty applies only when the products are used for their intended purposes.

The warranty does not apply to products that have been altered, repaired, improperly used, stored outdoors, or subjected to misuse, negligence, accidents, or incorrect installation and procedures.

The warranty excludes labor costs and other expenses related to the installation or repair of the product.

SP1 Fittings, Inc. will only cover replacement of the defective item under this limited warranty.

The total liability of SP1 Fittings, Inc. will not exceed the original purchase price of the defective product.

SP1 Fittings, Inc. is/will not be responsible for any indirect, incidental, special, or punitive damages, including loss of profit or business opportunities, even if the company was aware or should have been aware of the potential for such losses. The buyer is responsible for all costs related to removal, reinstallation, and shipping associated with the warranty replacement.

SP1 Fittings, Inc. is not liable in any way for shipping delays caused by third-party carriers or errors in the shipping of materials and/or equipment.

Any claims regarding shortages or damages due to shipping must be submitted in writing to SP1 Fittings, Inc. within five business days of receipt. The buyer must document any damage or loss on the Bill of Lading and provide a signed delivery receipt from the carrier. The carrier is responsible for any damages or loss during transit.

To process a warranty claim, the buyer must follow the standard investigation procedures, including providing a sample of the product in question and completing the SP1 Fittings, Inc. Investigation Report Form. Failure to supply the necessary information and samples will invalidate any warranty.

Molded Fittings:

The Limited Warranty is applicable solely to operations that adhere to the specified conditions for which the butt fusion fitting was designed, and for typical, intended use. This warranty will be void if the failure of the fitting results from excessive operating or surge pressures, water hammer, exposure to abrasives like sand or grit causing wear, or the fusion of HDPE pipe materials with an SDR difference greater than 2 (such as from SDR 11 to SDR 17). Additionally, this warranty does not cover failures caused by improper fusion or handling prior, during, or following installation.

The purchaser is responsible for conveying the terms of this Limited Warranty to their customers.



SALES@SP1FITTINGS.COM

SP1FITTINGS.COM

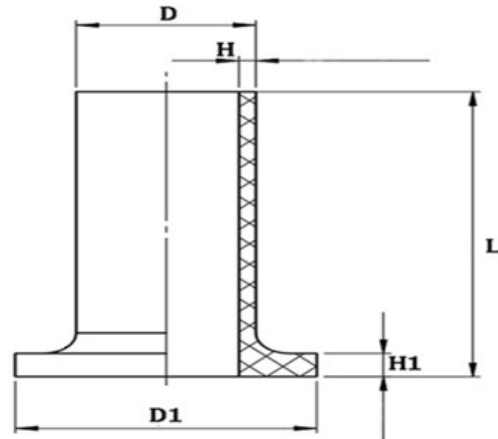
SECTION 1

MOLDED FITTINGS



MOLDED FLANGE ADAPTERS

SDR11 - 200PSI/SDR17 - 125PSI



Size (IN)	D	D1	L	H1	H SDR11	H SDR17	Weight (KG) SDR11/SDR17	Part Number
2"	2.375"	3.937"	5.71"	.55"	.216"	.140"	0.2/0.17	MFL02**
3"	3.5"	5"	6"	.67"	.318"	.206"	0.4/0.33	MFL03**
4"	4.5"	6"	6.81"	.79"	.409"	.265"	0.65/0.585	MFL04**
6"	6.625"	8.50"	8"	.80"	.602"	.390"	1.64/1.4	MFL06**
8"	8.625"	10.63"	9"	1.02"	.784"	.507"	3.58/2.77	MFL08**
10"	10.75"	12.75"	10"	1.28"	.977"	.632"	5.06/4.63	MFL010**
12"	12.75"	14.96"	10.75"	1.54"	1.159"	.750"	8.5/6.54	MFL012**
14"	14"	17.50"	12"	1.62"	1.273"	.824"	11.2/8.25	MFL014**
16"	16"	20"	12"	1.85"	1.455"	.941"	15/11.8	MFL016**
18"	18"	21.12"	12"	2.08"	1.636"	1.059"	19.5/13.9	MFL018**
20"	20"	23.50"	12"	2.31"	1.818"	1.176"	24.5/17.7	MFL020**
24"	24"	28"	14"	2.77"	2.000"	1.294"	41/30	MFL024**
28"	28"	32.30"	14"	3.23"	2.182"	1.412"	55.6/40.6	MFL028**
30"	30"	34.30"	14"	3.46"	2.000"	1.294"	64.5/46.6	MFL030**
32"	32"	34.30"	12"	3.69"	1.818"	1.176"	72.7/53.6	MFL032**
36"	36"	40.80"	14"	4.16"	2.000"	1.294"	97/69	MFL036**

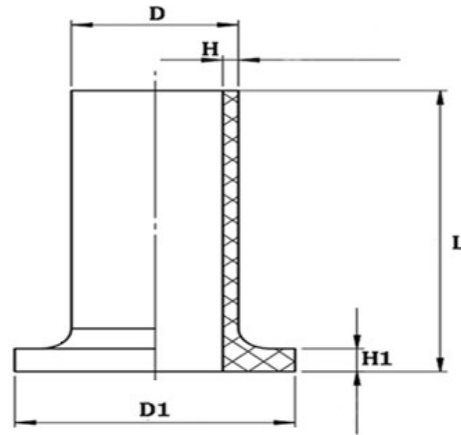
(Insert SDR for **)

- Molded to meet or exceed PE100, PE3608, PE4710 Resin Specification.
- AWWA C906-15 and ASTM-D2513&D-3261 Requierments.
- ISO9001 and CSA, CE, NSF, BV, SGS, and CNAS approval/certification.
- Pipe dimensions are in accordance with ASTM F714 and AWWA C906
- May also be available in DIPS & metric sizing.*



MOLDED FLANGE ADAPTERS

SDR7 - 335PSI/SDR9 - 250PSI



Size (IN)	D	D1	L	H1	H SDR7	H SDR9	Weight (KG) SDR7/SDR9	Part Number
2"	2.375"	3.937"	5.71"	.55"	.325"	.264"	0.295/0.24	MFL02**
3"	3.5"	5"	6"	.67"	.479"	.389"	0.59/0.47	MFL03**
4"	4.5"	6"	6.81"	.79"	.616"	.5"	1.02/0.86	MFL04**
6"	6.625"	8.50"	8"	.80"	.908"	.736"	2.70/2.08	MFL06**
8"	8.625"	10.63"	9"	1.02"	1.182"	.958"	4.99/3.92	MFL08**
10"	10.75"	12.75"	10"	1.54"	1.473"	1.194"	7.555/6.00	MFL010**
12"	12.75"	14.96"	10.75"	1.88"	1.747"	1.417"	13.73/11.35	MFL012**
14"	14"	17.50"	12"	2.00"	1.918"	1.556"	17.12/13.88	MFL014**
16"	16"	20"	12"	2.28"	2.192"	1.778"	22.74/18.66	MFL016**
18"	18"	21.12"	12"	2.50"	2.466"	2.000"	26.72/22.22	MFL018**
20"	20"	23.50"	12"	2.90"	2.740"	2.222"	36.98/28.18	MFL020**
24"	24"	28"	14"	3.39"	3.288"	2.667"	58.93/40.81	MFL024**
28"	28"	32.30"	14"	3.84"	3.84"	3.111"	TBA	MFL028**
30"	30"	34.30"	14"			3.333"	TBA	MFL030**
32"	32"	34.30"	12"			3.556"	TBA	MFL032**
36"	36"	40.80"	14"			4.000"	TBA	MFL036**

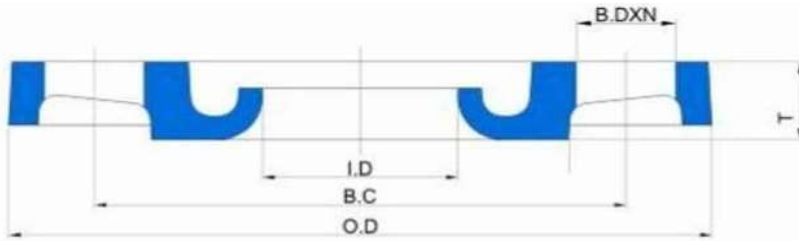
(Insert SDR for **)

- Molded to meet or exceed PE100, PE3608, PE4710 Resin Specification.
- AWWA C906-15 and ASTM-D2513&D-3261 Requirerments.
- ISO9001 and CSA, CE, NSF, BV, SGS, and CNAS approval/certification.
- Pipe dimensions are in accordance with ASTM F714 and AWWA C906
- May also be available in DIPS & metric sizing.*



DUCTILE IRON BACKING RINGS

SDR7 - 355PSI, SDR11 - 200PSI (IPS)



Size (IN)	SDR	OD	ID	T	BD	# of Bolt Holes	Weight (KG)	Part Number
1"	7	4.25"	1.38"	0.39"	0.63"	4	0.51	BUR01007EC
1-1/4"	7	4.62"	1.72"	0.43"	0.63"	4	0.61	BUR01207EC
1-1/2"	7	5.00"	1.97"	0.47"	0.63"	4	0.73	BUR01507EC
2"	7 / 11	6.00"	2.46"	0.55" / 0.47"	0.75"	4	1.05 / 0.69	BUR020**EC
3"	7 / 11	7.50"	3.60"	0.71" / 0.51"	0.75"	4	1.75 / 1.13	BUR030**EC
4"	7 / 11	9.00"	4.60"	0.79" / 0.55"	0.75"	8	2.34 / 1.52	BUR040**EC
6"	7 / 11	11.00"	6.75"	0.87" / 0.59"	0.88"	8	3.21 / 2.05	BUR060**EC
8"	7 / 11	13.50"	8.75"	0.94" / 0.71"	0.88"	8	4.81 / 3.67	BUR080**EC
10"	7 / 11	16.00"	10.92"	1.02" / 0.91"	1.00"	12	7.04 / 5.34	BUR100**EC
12"	7 / 11	19.00"	12.92"	1.26" / 1.14"	1.00"	12	11.19 / 9.15	BUR120**EC
14"	11	21.00"	14.40"	1.26"	1.13"	12	12.85	BUR14011EC
16"	11	23.50"	16.40"	1.50"	1.13"	16	18.25	BUR16011EC
18"	11	25.00"	18.40"	1.54"	1.25"	16	18.48	BUR18011EC
20"	11	27.50"	20.50"	1.65"	1.25"	20	23.53	BUR20011EC
22"	11	29.50"	22.50"	1.85"	1.38"	20	28.54	BUR22011EC
24"	11	32.00"	24.50"	1.97"	1.38"	20	35.20	BUR24011EC
28"	11	36.50"	28.60"	2.50"	1.38"	28	51.26	BUR28011EC
30"	11	38.75"	30.60"	2.60"	1.38"	28	63.96	BUR30011EC
32"	11	41.75"	32.60"	2.75"	1.63"	28	73.03	BUR32011EC
36"	11	46.00"	36.60"	3.15"	1.63"	32	98.43	BUR36011EC

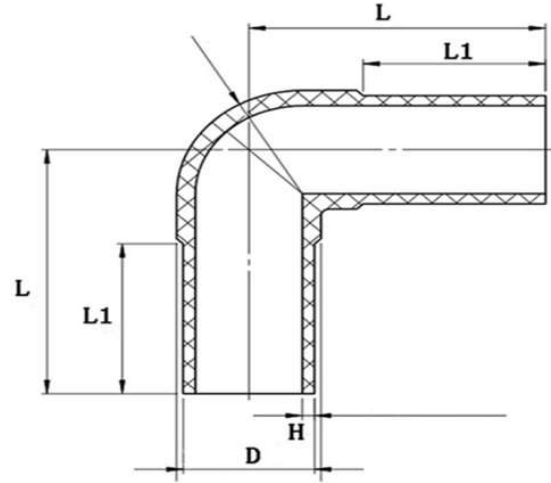
(Insert SDR for **)

- Material: Ductile Iron ASTM A536 Gr 65/45/12.
- Surface finish: Blue Fusion Bonded Epoxy. Other Options Available By Request.
- Drilling Standard: Up to 24" - ANSI/ASME B16.5, AWWA C207, Class 150
- Drilling Standard: 26" and up - ANSI/ASME B16.47, AWWA C207, Class 150



MOLDED 90 DEGREE ELBOW

SDR9 - 250PSI/SDR11 - 200PSI/SDR17 - 125PSI ASTM/IPS



Size (IN)	D	L	L1	H SDR9	H SDR11	H SDR17	Weight (KG) SDR9/SDR11/SDR17	Part Number
1"	1.315"	4.055"	2.638"	.146"	.120"	-	0.10/0.08/NA	90EL010**
1-1/4"	1.90"	3.74"	2.64"	.211"	.173"	-	0.295/0.24/NA	90EL012**
1-1/2"	1.90"	3.74"	2.64"	.211"	.173"	-	0.295/0.24/NA	90EL015**
2"	2.375"	5.12"	2.83"	.264"	.216"	.140"	0.39/0.30/0.25	90EL020**
3"	3.5"	5.98"	3.15"	.389"	.318"	.206"	0.98/0.75/0.55	90EL030**
4"	4.5"	6.81"	3.31"	.500"	.409"	.265"	1.96/1.40/1.15	90EL040**
6"	6.625"	8.90"	4.25"	.736"	.602"	.390"	4.06/2.90/2.05	90EL060**
8"	8.625"	11.46"	5.95"	.958"	.784"	.507"	10.64/6.82/4.88	90EL080**
10"	10.75"	12.20"	5.35"	-	.977"	.632"	NA/7.35/6.90	90EL100**
12"	12.75"	13.39"	5.71"	-	1.159"	.750"	NA/11.34/10.98	90EL120**
14"	14"	13.78"	5.79"	-	1.273"	.824"	NA/14.00/13.40	90EL140**
16"	16"	14.57"	5.12"	-	1.455"	.941"	NA/19.32/18.95	90EL160**
18"	18"	16.06"	5.12"	-	1.636"	1.059"	NA/25.41/24.86	90EL180**
20"	20"	17.52"	5.12"	-	1.636"	1.059"	NA/33.81/33.01	90EL200**

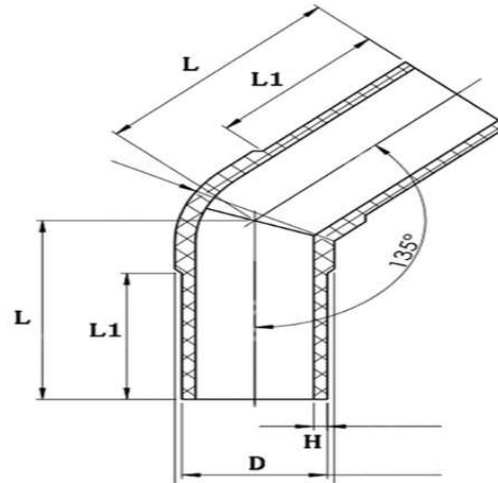
(Insert SDR for **)

- Molded to meet or exceed PE100, PE3608, PE4710 Resin Specification.
- AWWA C906-15 and ASTM-D2513&D-3261 Requierments.
- ISO9001 and CSA, CE, NSF, BV, SGS, and CNAS approval/certification.
- Pipe dimensions are in accordance with ASTM F714 and AWWA C906
- May also be available in DIPS & metric sizing.*



MOLDED 45 DEGREE ELBOW

SDR9 - 250PSI/SDR11 - 200PSI/SDR17 - 125PSI ASTM/IPS



Size (IN)	D	L	L1	H SDR9	H SDR11	H SDR17	Weight (KG) SDR9/SDR11/SDR17	Part Number
1"	1.315"	3.54"	2.638"	.146"	.120"	-	0.10/0.08/NA	45EL010**
1-1/4"	1.90"	3.74"	2.64"	.211"	.173"	-	0.295/0.24/NA	45EL012**
1-1/2"	1.90"	3.74"	2.64"	.211"	.173"	-	0.295/0.24/NA	45EL015**
2"	2.375"	4.45"	2.83"	.264"	.216"	.140"	0.39/0.30/0.25	45EL020**
3"	3.5"	4.92"	3.15"	.389"	.318"	.206"	0.98/0.75/0.55	45EL030**
4"	4.5"	5.39"	3.31"	.500"	.409"	.265"	1.96/1.40/1.15	45EL040**
6"	6.625"	6.85"	4.25"	.736"	.602"	.390"	4.06/2.90/2.05	45EL060**
8"	8.625"	8.86"	5.95"	.958"	.784"	.507"	10.64/6.82/4.88	45EL080**
10"	10.75"	8.62"	5.35"	-	.977"	.632"	NA/7.35/6.90	45EL100**
12"	12.75"	9.61"	5.71"	-	1.159"	.750"	NA/11.34/10.98	45EL120**
14"	14"	9.69"	5.79"	-	1.273"	.824"	NA/14.00/13.40	45EL140**
16"	16"	9.96"	5.12"	-	1.455"	.941"	NA/19.32/18.95	45EL160**
18"	18"	10.39"	5.12"	-	1.636"	1.059"	NA/25.41/24.86	45EL180**
20"	20"	10.39"	5.12"	-	1.636"	1.059"	NA/33.81/33.01	45EL200**

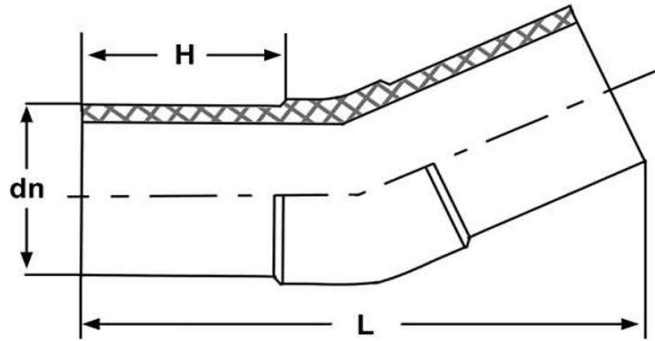
(Insert SDR for **)

- Molded to meet or exceed PE100, PE3608, PE4710 Resin Specification.
- AWWA C906-15 and ASTM-D2513&D-3261 Requierments.
- ISO9001 and CSA, CE, NSF, BV, SGS, and CNAS approval/certification.
- Pipe dimensions are in accordance with ASTM F714 and AWWA C906
- May also be available in DIPS & metric sizing.*



MOLDED 22.5 DEGREE ELBOW

SDR9 - 250PSI/SDR11 - 200PSI/SDR17 - 125PSI ASTM/IPS



Size (IN)	DN	L	H	Weight (KG) SDR9/SDR11/SDR17	Part Number
1"	1.315"	6.77"	2.64"	0.52/0.40/NA	22EL010**
2"	2.375"	8.50"	2.84"	0.91/0.70/NA	22EL020**
3"	3.5"	9.055"	3.15"	0.98/0.75/0.55	22EL030**
4"	4.5"	9.84"	3.31"	1.96/1.52/1.25	22EL040**
6"	6.625"	12.20"	4.25"	4.06/2.90/2.05	22EL060**
8"	8.625"	15.75"	6.00"	8.68/6.20/4.98	22EL080**

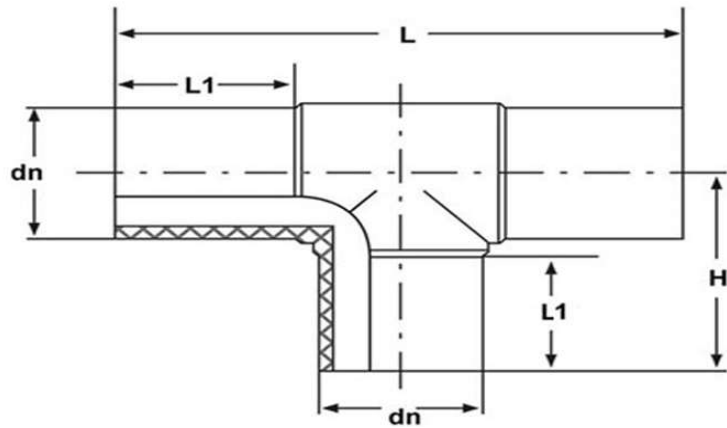
(Insert SDR for **)

- Molded to meet or exceed PE100, PE3608, PE4710 Resin Specification.
- AWWA C906-15 and ASTM-D2513&D-3261 Requierments.
- ISO9001 and CSA, CE, NSF, BV, SGS, and CNAS approval/certification.
- Pipe dimensions are in accordance with ASTM F714 and AWWA C906
- May also be available in DIPS & metric sizing.*



MOLDED IPS TEE

SDR9 - 250PSI/SDR11 - 200PSI/SDR17 - 125PSI ASTM/IPS



Size (IN)	DN	L	L1	Weight (KG) SDR9/SDR11/SDR17	Part Number
1"	1.315"	7.717"	2.638"	0.16/0.12/NA	MT01**
1-1/4"	1.90"	8.28"	2.66"	0.295/0.24/NA	MT012**
1-1/2"	1.90"	9.44"	2.74"	0.295/0.24/NA	MT015**
2"	2.375"	10.236"	2.83"	0.65/0.42/0.38	MT02**
3"	3.5"	12.20"	3.15"	1.52/1.00/0.89	MT03**
4"	4.5"	13.70"	3.31"	2.05/1.78/1.65	MT04**
6"	6.625"	17.95"	4.25"	8.12/4.83/3.98	MT06**
8"	8.625"	22.874"	5.95"	16.28/10.50/9.65	MT08**
10"	10.75"	25.98"	5.35"	NA/13.86/10.90	MT10**
12"	12.75"	22.74"	5.71"	NA/21.21/18.48	MT12**
14"	14"	25.394"	5.79"	NA/22.05/19.40	MT14**
16"	16"	33.71"	5.12"	NA/35.18/30.15	MT16**
18"	18"	32.677"	5.12"	NA/47.46/41.18	MT18**
20"	20"	33.66"	5.12"	NA/61.11/59.60	MT20**

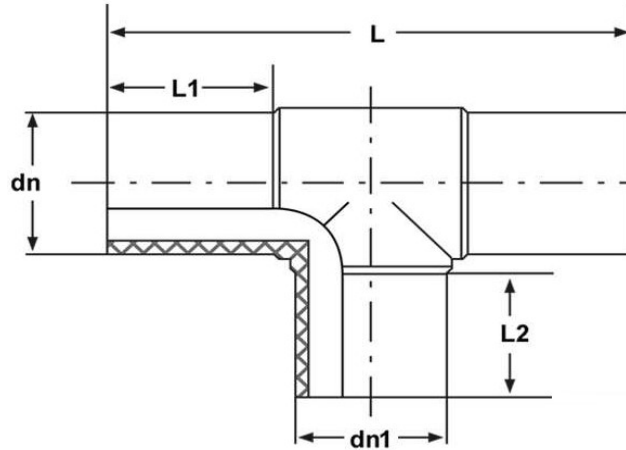
(Insert SDR for **)

- Molded to meet or exceed PE100, PE3608, PE4710 Resin Specification.
- AWWA C906-15 and ASTM-D2513&D-3261 Requierments.
- ISO9001 and CSA, CE, NSF, BV, SGS, and CNAS approval/certification.
- Pipe dimensions are in accordance with ASTM F714 and AWWA C906
- May also be available in DIPS & metric sizing.*



MOLDED REDUCING TEE

SDR9 - 250PSI/SDR11 - 200PSI/SDR17 - 125PSI ASTM/IPS



Size (IN)	SDR	DN	DN1	L	L1	L2	Weight (KG)	Part Number
3 X 2"	9	3.50"	2.375"	12.20"	3.15"	2.835"	1.3	MRT030209
4 X 2"	9	4.50"	2.375"	13.70"	3.31"	2.835"	2.44	MRT040209
6 X 4"	9	6.625"	4.50"	17.95"	4.25"	3.31"	7	MRT060409
8 X 4"	9	8.625"	4.50"	22.874"	6.00"	3.31"	13.44	MRT080409
3 X 2"	11	3.50"	2.375"	12.20"	3.15"	2.835"	0.8	MRT030211
4 X 2"	11	4.50"	2.375"	13.70"	3.31"	2.835"	1.44	MRT040211
6 X 4"	11	6.625"	4.50"	17.95"	4.25"	3.31"	4.1	MRT060411
8 X 4"	11	8.625"	4.50"	22.874"	6.00"	3.31"	9.6	MRT080411
3 X 2"	17	3.50"	2.375"	12.20"	3.15"	2.835"	1.15	MRT030217
4 X 2"	17	4.50"	2.375"	13.70"	3.31"	2.835"	2.18	MRT040217
6 X 4"	17	6.625"	4.50"	17.95"	4.25"	3.31"	5.88	MRT060417
8 X 4"	17	8.625"	4.50"	22.874"	6.00"	3.31"	11.9	MRT080417

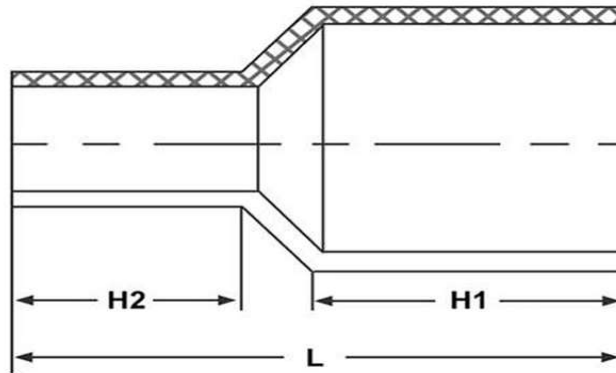
(Insert SDR for **)

- Molded to meet or exceed PE100, PE3608, PE4710 Resin Specification.
- AWWA C906-15 and ASTM-D2513&D-3261 Requirements.
- ISO9001 and CSA, CE, NSF, BV, SGS, and CNAS approval/certification.
- Pipe dimensions are in accordance with ASTM F714 and AWWA C906
- May also be available in DIPS & metric sizing.*



MOLDED CONCENTRIC REDUCERS

SDR9 - 250PSI/SDR11 - 200PSI/SDR17 - 125PSI ASTM/IPS



Size (IN)	L	H1	H2	Weight (KG) SDR9/SDR11/SDR17	Part Number
2" X 1"	6.299"	2.835"	2.638"	0.17/0.13/NA	MR0301**
3" X 2"	6.889"	3.15"	2.835"	0.43/0.33/0.23	MR0302**
4" X 2"	7.283"	3.307"	2.835"	0.67/0.46/0.28	MR0402**
4" X 3"	7.283"	3.307"	3.15"	0.79/0.54/0.25	MR0403**
6" X 2"	9.252"	4.252"	2.835"	1.79/1.28/1.02	MR0602**
6" X 3"	9.252"	4.252"	3.15"	1.88/1.41/1.15	MR0603**
6" X 4"	9.252"	4.252"	3.307"	2.03/1.52/2.05	MR0604**
8" X 4"	11.811"	6.024"	3.307"	4.68/3.28/2.69	MR0804**
8" X 6"	11.811"	6.024"	4.252"	5.26/3.51/3.04	MR0806**

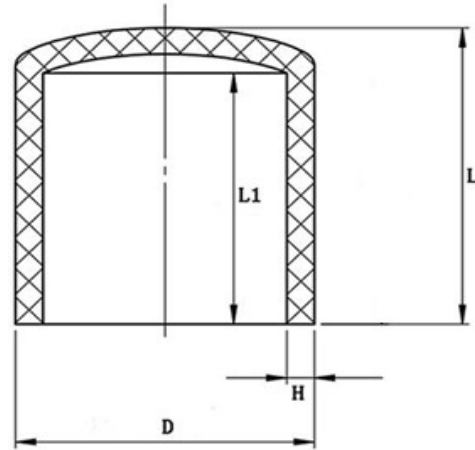
(Insert SDR for **)

- Molded to meet or exceed PE100, PE3608, PE4710 Resin Specification.
- AWWA C906-15 and ASTM-D2513&D-3261 Requirements.
- ISO9001 and CSA, CE, NSF, BV, SGS, and CNAS approval/certification.
- Pipe dimensions are in accordance with ASTM F714 and AWWA C906
- May also be available in DIPS & metric sizing.*



MOLDED CAP

SDR9 - 250PSI/SDR11 - 200PSI/SDR17 - 125PSI ASTM/IPS



Size (IN)	D	L	L1	H SDR9	H SDR11	H SDR17	Weight (KG) SDR9/SDR11/SDR17	Part Number
1"	1.315"	2.953"	2.815"	.146"	.120"	-	0.032/0.03/NA	MC01**
2"	2.375"	3.23"	2.99"	.264"	.216"	.140"	0.13/0.10/0.10	MC02**
3"	3.5"	3.937"	3.58"	.389"	.318"	.206"	0.35/0.27/0.24	MC03**
4"	4.5"	4.33"	3.878"	.500"	.409"	.265"	0.69/0.49/0.41	MC04**
6"	6.625"	5.827"	5.157"	.736"	.602"	.390"	2.01/1.44/1.20	MC06**
8"	8.625"	7.677"	6.811"	.958"	.784"	.507"	4.47/3.19/2.78	MC08**

(Insert SDR for **)

- Molded to meet or exceed PE100, PE3608, PE4710 Resin Specification.
- AWWA C906-15 and ASTM-D2513&D-3261 Requierments.
- ISO9001 and CSA, CE, NSF, BV, SGS, and CNAS approval/certification.
- Pipe dimensions are in accordance with ASTM F714 and AWWA C906
- May also be available in DIPS & metric sizing.*



SECTION 2

ELECTROFUSION FITTINGS

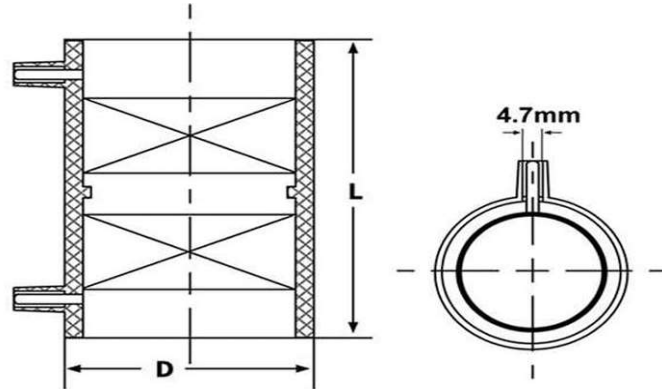


SDR11 IPS ELECTROFUSION COUPLERS

FUSION RANGE: SDR9 TO SDR17

Gas:150 PSI, Water: 240 PSI @ 23° Celcius (73.4° F)

1/2"-16" One Fusion Zone, 18"-36" Two Fusion Zones



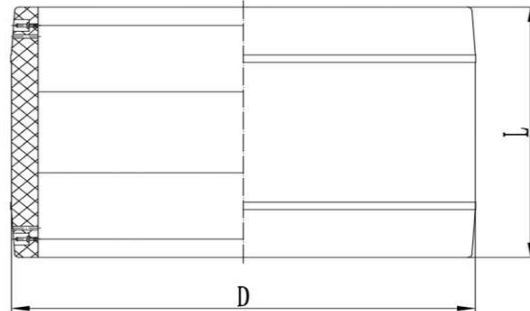
Size (IN)	D (IN)	L (IN)	Fusion Zones	Weight (KG)	Part Number
1/2"	1.34"	2.835"	1	0.03	EFC00511
3/4"	1.575"	2.835"	1	0.05	EFC00711
1"	1.811"	3.15"	1	0.2	EFC01011
1-1/4"	2.17"	3.386"	1	0.23	EFC01211
1-1/2"	2.52"	3.858"	1	0.25	EFC01511
2"	3.07"	4.213"	1	0.3	EFC02011
3"	4.41"	5.787"	1	0.64	EFC03011
4"	5.51"	6.299"	1	1.1	EFC04011
6"	7.283"	7.283"	1	2.61	EFC06011
8"	10.63"	8.03"	1	4.26	EFC08011
10"	13.27"	8.66"	1	7.71	EFC10011
12"	15.75"	9.45"	1	9.07	EFC12011
14"	17.29"	10.0"	1	13.61	EFC14011
16"	19.76"	11.61"	1	18.06	EFC16011
18"	22.235"	12.598"	2	23.61	EFC18011
20"	24.70"	14.17"	2	37.33	EFC20011
22"	27.18"	15.158"	2	49.39	EFC22011
24"	29.65"	15.354"	2	59.81	EFC24011
26"	32.12"	16.54"	2	80	EFC26011
28"	34.588"	17.323"	2	93	EFC28011
30"	37.06"	17.716"	2	107	EFC30011
32"	39.53"	18.50"	2	128	EFC32011
34"	42"	19.685"	2	154	EFC34011
36"	44.47"	19.685"	2	173	EFC36011

SDR17 IPS ELECTROFUSION COUPLERS

FUSION RANGE: SDR17 TO SDR21

Gas: 100 PSI, Water: 160 PSI @ 23° Celcius (73.4° F)

10"-16" One Fusion Zone, 18"-36" Two Fusion Zones



Size (IN)	D (IN)	L (IN)	Fusion Zones	Weight (KG)	Part Number
10"	12.40"	8.66"	1	4.62	EFC10017
12"	14.71"	9.45"	1	8.86	EFC12017
14"	16.15"	10.0"	1	9.56	EFC14017
16"	18.46"	11.61"	1	12.6	EFC160117
18"	20.77"	12.598"	2	17.33	EFC18017
20"	23.08"	14.17"	2	24.85	EFC20017
22"	25.38"	15.158"	2	37.18	EFC22017
24"	27.69"	15.354"	2	42.09	EFC24017
26"	30.00"	16.54"	2	54.53	EFC26017
28"	32.31"	17.323"	2	67	EFC28017
30"	34.62"	17.716"	2	71	EFC30017
32"	36.92"	18.50"	2	85.66	EFC32017
34"	39.23"	19.685"	2	97	EFC34017
36"	41.54"	19.685"	2	108.32	EFC36017

- Molded to meet or exceed PE100, PE3608, PE4710 Resin Specification.
- ASTM F714, F1055, D2513, D3035, D3350, AWWA C906.
- ISO9001 and CSA, CE, NSF, BV, SGS, and CNAS approval/certification.
- Pipe dimensions are in accordance with ASTM F714 and AWWA C906
- Also available in DIPS & metric sizing.*





SALES@SP1FITTINGS.COM

SP1FITTINGS.COM

SDR11/17 LARGE DIAMETER FULL ELECTROFUSION SADDLE (IPS)

Gas:150 PSI, Water: 240 PSI @ 23° Celcius (73.4° F)

Dual Electrofusion Electrofusion Saddle Base and Electrofusion Top Outlet.

Custom fabricated per order and other sizes per special request.



Base DIM	12"	14"	16"	18"	20"	24"	28"	30"	32"	36"	42"	48"	54"	63"
Outlet DIM														
6"	✓	✓	✓	✓	✓	✓	✓	✓	✓	✓	✓	✓	✓	✓
8"		✓	✓	✓	✓	✓	✓	✓	✓	✓	✓	✓	✓	✓
10"				✓	✓	✓	✓	✓	✓	✓	✓	✓	✓	✓
12"						✓	✓	✓	✓	✓	✓	✓	✓	✓
14"							✓	✓	✓	✓	✓	✓	✓	✓
16"								✓	✓	✓	✓	✓	✓	✓
18"									✓	✓	✓	✓	✓	✓
20"										✓	✓	✓	✓	✓
24"											✓	✓	✓	✓

SECTION 3 TRANSITION FITTINGS AND ACCESSORIES



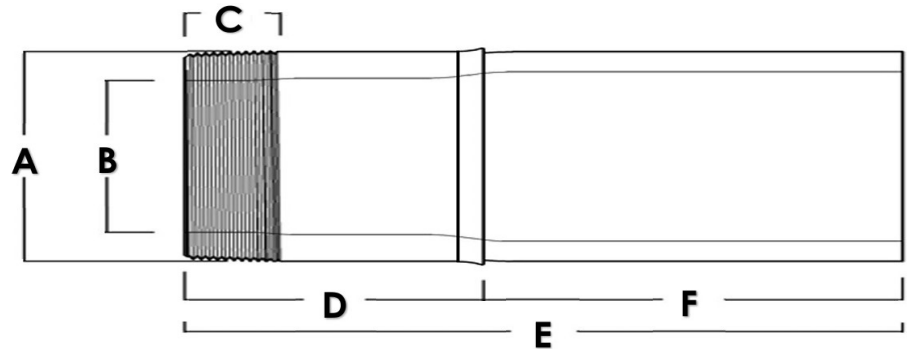
All SP1's Transition Fittings are Machined, and Fabricated In-House, and assembled using Pipe from Canadian and North American Producers. We also make molded fittings with transitions per request.

HDPE X MIP TRANSITION FITTINGS

For Water. *Not rated for gas applications*

SDR17 - 125psi, SDR11 - 200psi, SDR9 - 255psi @ at 23°C (73.40°F)

*Available in 304SS, Epoxy Coated Carbon Steel, and 316SS by special request.



Nominal Size (IPS)	ID DR17	ID SD11	ID SDR9	A DIM	C DIM	D DIM	E DIM	F DIM	Part Number
3/4"	N/A	.848"	.803"	1.24"	0.8"	1.9"	8.9"	7"	TA00711M****
1"	N/A	1.062"	1.005"	1.315"	0.98"	2"	8"	6"	TA01011M****
1-1/4"	N/A	1.34"	1.269"	1.66"	1"	2.6"	8"	5.4"	TA01211M****
1-1/2"	N/A	1.534"	1.452"	1.9"	1.02"	2.65"	8"	5.35"	TA01511M****
2"	2.079"	1.917"	1.816"	2.375"	1.06"	3"	8"	5"	TA02011M****
3"	3.06"	2.83"	2.68"	3.5"	1.63"	4"	8"	4"	TA03011M****
4"	3.94"	3.63"	3.44"	4.5"	1.73"	4.5"	12"	7.5"	TA04011M****
6"	5.80"	5.35"	5.06"	6.625"	1.95"	5.5"	12"	6.5"	TA06011M****
8"	7.55"	6.96"	6.59"	8.625"	2.15"	6"	14"	8"	TA08011M****
10"	9.41"	8.68"	8.22"	10.75"	2.36"	7"	15"	8"	TA10011M****
12"	11.16"	10.29"	9.75"	12.75"	2.56"	9.5"	18"	8.5"	TA12011M****

(Replace **** with 304SS, 316SS, ECCS for thread material in part number.)

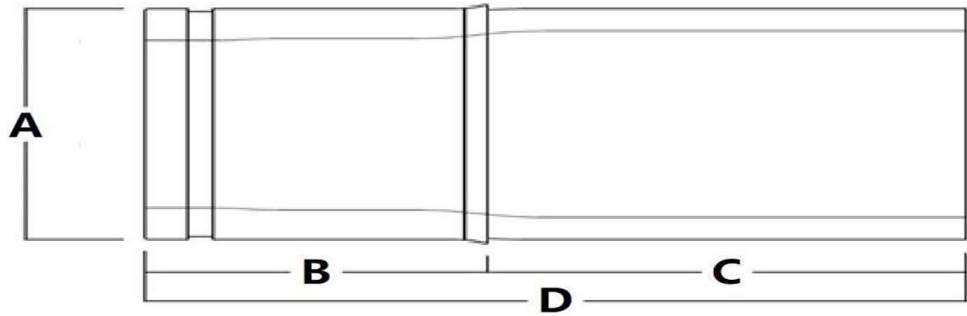
- Pipe portion is made to meet or exceed PE100, PE3408, PE3608, and PE4710 Resin Specifications.
- Meets NSF61 where applicable, listing PM13570, ASTM D2513, D3261, AWWA C906, ASTM 1598, ASTM 1599, and ARRA requirements.
- Thread portion made to ANSI/ASME B1.20-1983 R 1992
- Type 304 (ASTM A249 or ASTM A269) and or ERW pipe (ASTM SA-312), Carbon Steel (A53 or A106 grade)
- IF 194T White Epoxy Coating meets NSF 61, FDA 175.300, AWWA C116-01, C213-01, UL 262 and FM 1120/1130
- Transition fittings are designed to handle the pressure rating of the HDPE pipe with a 2:1 safety factor at 73.40°F (23°C) with a minimum 50-year design life.

HDPE GROOVE TRANSITION FITTINGS

For Water. *Not rated for gas applications*

SDR17 - 125psi, SDR11 - 200psi, SDR9 - 255psi @ at 23°C (73.40°F)

*Available in Epoxy Coated Carbon Steel and 304 and 316 Stainless Steel.



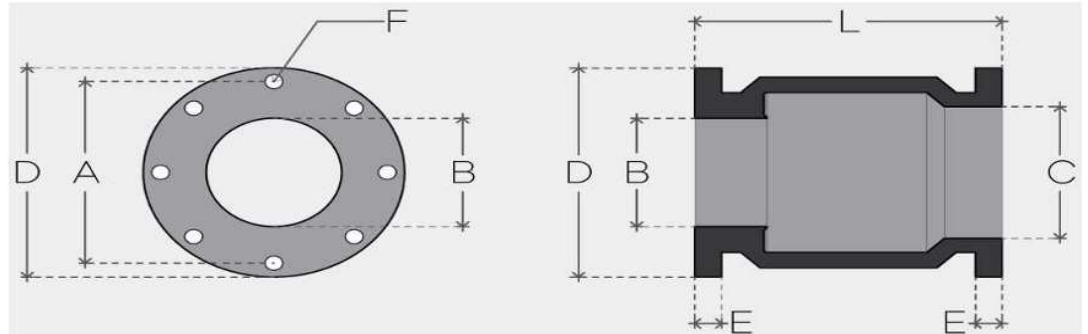
Nominal Size (IPS)	ID DR17	ID DR11	ID DR9	A DIM	B DIM	C DIM	D DIM	Part Number
2"	2.079"	1.917"	1.816"	2.375"	3.00"	3.50"	7.50"	TA020**EPGR
3"	3.06"	2.83"	2.68"	3.5"	4.00"	4.00"	8.00"	TA030**EPGR
4"	3.94"	3.63"	3.44"	4.5"	4.00"	4.00"	8.00"	TA040**EPGR
6"	5.80"	5.35"	5.06"	6.625"	5.00"	5.00"	10.00"	TA060**EPGR
8"	7.55"	6.96"	6.59"	8.625"	6.00"	7.00"	13.00"	TA080**EPGR
10"	9.41"	8.68"	8.22"	10.75"	7.00"	8.00"	15.00"	TA100**EPGR
12"	11.16"	10.29"	9.75"	12.75"	9.00"	9.00"	18.00"	TA120**EPGR

(Replace ** with 09, 11, or 17 for DR in part number.)

- Pipe portion is made to meet or exceed HDPE Resin Type PE100, PE3408, PE3608, and PE4710 Specifications.
- Meets ASTM D-3350, F714, 3035, 1598 & 1599
- Meets NSF61 where applicable, listing PM13570, ASTM D2513, D3261, AWWA C906, ASTM 1598, ASTM 1599, and ARRA requirements.
- Carbon Steel (A53 or A106 grade), made to ANSI/ASME B1.20-1983 R 1992
- White Epoxy Coating meets NSF 61, FDA 175.300, AWWA C116-01, C213-01, UL 262 and FM 1120/1130
- Transition fittings are designed to handle the pressure rating of the HDPE pipe with a 2:1 safety factor at 73.40°F (23°C) with a minimum 50-year design life.

HDPE SPECIALTY VALVE PRODUCTS

HDPE CHECK VALVE



Fluid Control Valve

Allows flow in only one direction and prevents backflow.

Applications: Irrigation, Waterworks, Agriculture, Aquaculture, Mining, Industrial.

Nominal Valve Size	D DIM	A DIM	B DIM	C DIM	L DIM	E DIM	F DIM	Bolt Holes	Weight lbs.	Part Number
3"	7.5"	6"	3"	4"	10"	1"	0.7	4	6	FCV030
4"	9"	7.5"	3.9"	5"	11"	1"	0.7	8	9.3	FCV040
6"	11"	9.5"	5.7"	6.7"	14.2"	1.2"	0.9	8	18.3	FCV060
8"	13.5"	11.7"	7.5"	8.8"	15.7"	1.4"	0.9	8	28.7	FCV080
10"	16"	14.3"	9.3"	10.2"	17.3"	1.5"	1"	12	32.4	FCV100
12"	19"	17"	11"	11"	18.1"	2"	1"	12	60.2	FCV120
14"	21"	18.7"	10.7"	11.4"	20.9"	2.2"	1.1"	12	83.8	FCV140
16"	23.5"	21.3"	13.9"	14.6"	23.6"	2.4"	1.1"	16	119.1	FCV160

COMPONENTS

- PE4710 HDPE body & flapper
- 316 Stainless Steel mechanism, springs, bolts & washers
- Rubber Seals

OPERATING CONDITIONS:

- 5psi to 150psi Operating Range
- -85°F (-65°C) to 160°F (70°C)

CORROSION RESISTANCE

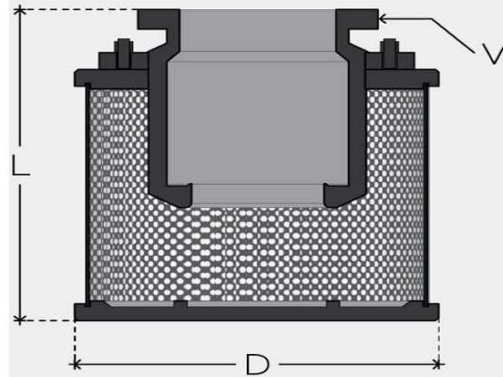
- Supports sulphuric acid and most common fluids per HDPE PE3608/PE4710 Specifications.

FEATURES

- Fast, easy, and lightweight.
- Flanged ANSI Class 150 (150#) connections.
- Easy on-site maintenance kits available.
- Extremely low flow resistance.
- Very low opening pressure of only 5psi.
- No noisy hammering makes it great for aquaculture.
- Operates in any installed configuration.
- Also available in DIN and Class D per special request.

HDPE SPECIALTY VALVE PRODUCTS

HDPE COMPACT FOOT VALVE



Shorter than the Check Valve and Strainer combo, making it ideal for shallow water.
 Applications: Irrigation, Waterworks, Agriculture, Aquaculture, Mining, Industrial.

V-Nominal Valve Size	D DIM	L DIM	Bolt Holes	Weight lbs.	Part Number
3"	14.6"	13"	4	21.2	CFV030
4"	14.6"	15.4"	8	22.5	CFV040
6"	18.5"	18.5"	8	40.8	CFV060
8"	20.5"	22.4"	8	55.3	CFV080
10"	24.6"	24.8"	12	87.3	CFV100
12"	24.6"	27.2"	12	93.9	CFV120
14"	25.6"	32.7"	12	114.4	CFV140

COMPONENTS

- PE4710 HDPE body & flapper
- 316 Stainless Steel mechanism, springs, bolts & washers
- Rubber Seals

OPERATING CONDITIONS:

- 5psi to 150psi Operating Range
- -85°F (-65°C) to 160°F (70°C)

CORROSION RESISTANCE

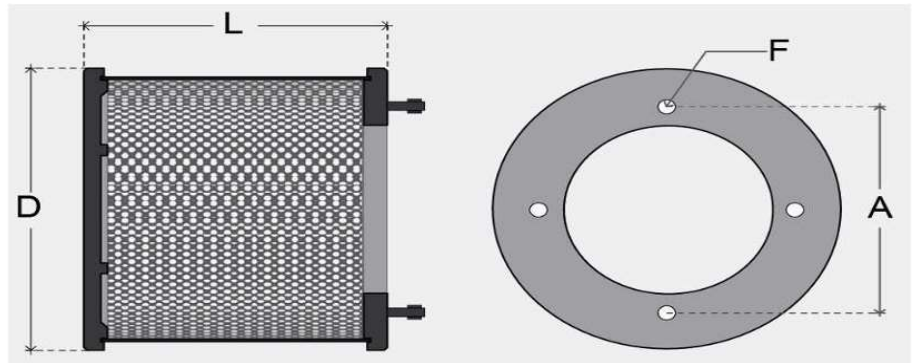
- Supports sulphuric acid and most common fluids per HDPE PE100/PE3608/PE4710 Specifications.

FEATURES

- Fast, easy, and lightweight.
- Flanged ANSI Class 150 (150#) connections.
- Easy on-site maintenance kits available.
- Extremely low flow resistance.
- Very low opening pressure of only 5psi.
- No noisy hammering, great for aquaculture.
- Operates in any installed configuration.
- Also available in DIN and Class D per special request.

HDPE SPECIALTY VALVE PRODUCTS

HDPE STRAINER



Corrosion Resistant HDPE Strainer

Keeps solids from being sucked into the valve.

Use with the HDPE Check Valve to build a fully corrosion resistant Foot Valve

Applications: Irrigation, Waterworks, Agriculture, Aquaculture, Mining, Industrial.

V-Nominal Valve Size	D DIM	L DIM	A DIM	F DIM	Bolt Holes	Weight lbs.	Part Number
3"	9.8"	9.4"	6"	1/2"	4	7.3	STR030
4"	9.8"	11.8"	7.5"	1/2"	4	7.5	STR040
5"	10.6"	11.8"	8.5"	1/2"	4	7.9	STR050
6"	14.6"	13.8"	9.5"	5/8"	4	14.3	STR060
8"	14.6"	17.7"	11.7"	5/8"	4	16.1	STR080
10"	20.5"	19.7"	14.3"	3/4"	4	29.5	STR100
12"	20.5"	25.6"	17"	3/4"	6	34.8	STR120
14"	24.8"	29.1"	18.7"	3/4"	6	57.3	STR140
16"	24.8"	29.1"	21.3"	3/4"	8	57.3	STR160

COMPONENTS

- PE4710 HDPE body
- 316 Stainless Steel bolts, nuts, & washers

OPERATING CONDITIONS:

- 5psi to 150psi Operating Range
- -85°F (-65°C) to 160°F (70°C)

CORROSION RESISTANCE

- Supports sulphuric acid and most common fluids per HDPE PE100/PE3608/PE4710 Specifications.

FEATURES

- Fast, easy, and lightweight.
- Bolts up to ANSI Class 150 (150#) flanges
- Connect to HDPE Check Valve with simple connection. Bolts & washers included.
- Low flow resistance with large filter screen area.
- Operates in any installed configuration.
- Also available in DIN and Class D per special request.