

4161 45 street Salmon Arm B.C
(250) 803-8874

Name _____ Date _____
 Phone Number _____ E-Mail _____

Requested Completion date _____

Yes/No	Description	Amount
✓	<ul style="list-style-type: none"> • 5x8ft standard layout teardrop trailer. • 11 feet overall length (ball to bumper) • 6.5 feet overall width (outside of fender to outside of fender) • Fully welded 2x2x1.88 HSS steel frame trailer high 18" (20" and 24" trailer height modification option available) • 32 x 9 in Steel Trailer Fender square or round (load bearing with welded step up brackets) • Frame and fenders powder coated (colour options available) • L.E.D oval Tail lights with 3/4" L.E.D clearance lights (in frame wiring) • 2000 lbs independent Torsion Axles (no leaf springs) • 3/4 inch cabinet grade plywood construction. (Varathane stain colour options available) • All aluminum trim in both galley and cabin, secured with Stainless Steel pan head screws. • Indoor/Outdoor Carpet floor, ceiling, headboard and footboard. • Three speed cabin vent fan • 26" x 36" door on passenger side, black trim, tinted glass sliders, screens • 23" x 23" window driver side, black trim, tinted glass sliders, screens (additional side door option available) • 110 volt ground fault circuit interrupter outlet in galley with additional outlet in cabin (power inverter option available) • USB charging port and 12 volt port in both cabin and galley • L.E.D lighting in cabin (two at front and two at back) • L.E.D lighting in galley (one on hatch and one under counter) • Outside L.E.D flood lights on both driver and passenger side • Wired solar ready with 30 amp charge controller installed in galley (side plug for remote panel) • Spray foam insulation in roof cavity and in rear hatch • polished checker plate clad sides (powder coating option available) • 15" wheels (white) and ST 205/75 R14 tires • 1 deep cycle battery 	\$15,900
Additional Options		
<input type="checkbox"/>	Additional door on driver side	\$800.00
<input type="checkbox"/>	Full Aluminum Roof Rack 5'x5' Welded 1" SCH 40 Powder Coated (colour options available)	\$850.00
<input type="checkbox"/>	Aluminum checker plate A-frame style battery/storage box (required for dual batteries and power inverter.	\$490.00
<input type="checkbox"/>	Additional deep cycle battery (two total)	\$295.00
<input type="checkbox"/>	3000 watt power inverter (remote on / off switch installed in galley)	\$485.00
<input type="checkbox"/>	Remote 200 watt solar panel with side plug in (panel mounted to roof rack option available)	\$380.00
<input type="checkbox"/>	Upgrade to 3500lbs torsion axels	\$195.00
<input type="checkbox"/>	Brake package (only available on 3500lbs axel)	\$600.00
<input type="checkbox"/>	Polished aluminum mag wheels (custom options available)	\$500.00
<input type="checkbox"/>	Stabilizer jacks front and rear	\$200.00
<input type="checkbox"/>	Stainless Steel countertop	\$320.00
<input type="checkbox"/>	Tongue and groove Cedar ceiling in cabin	\$300.00
<input type="checkbox"/>	Tongue and grove cedar or fir side cladding (stain colour options available)	\$300.00
<input type="checkbox"/>	Vinyl flooring cabin and galley floor	\$300.00
<input type="checkbox"/>	Checker plate side cladding powder coated (colour options available)	\$600.00
<input type="checkbox"/>	Spare tire with side mount (can be installed between axels, on the side of trailer or on top of roof rack)	\$340.00
	Total	0

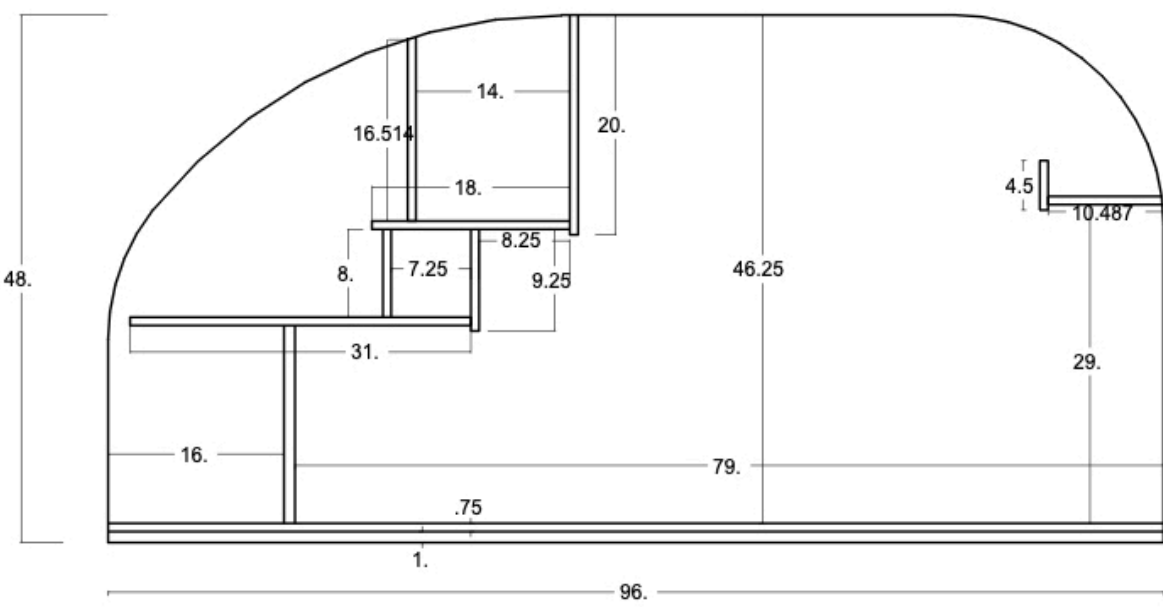
Total subject to PST and GST

50% Deposit required to commission your teardrop trailer build.

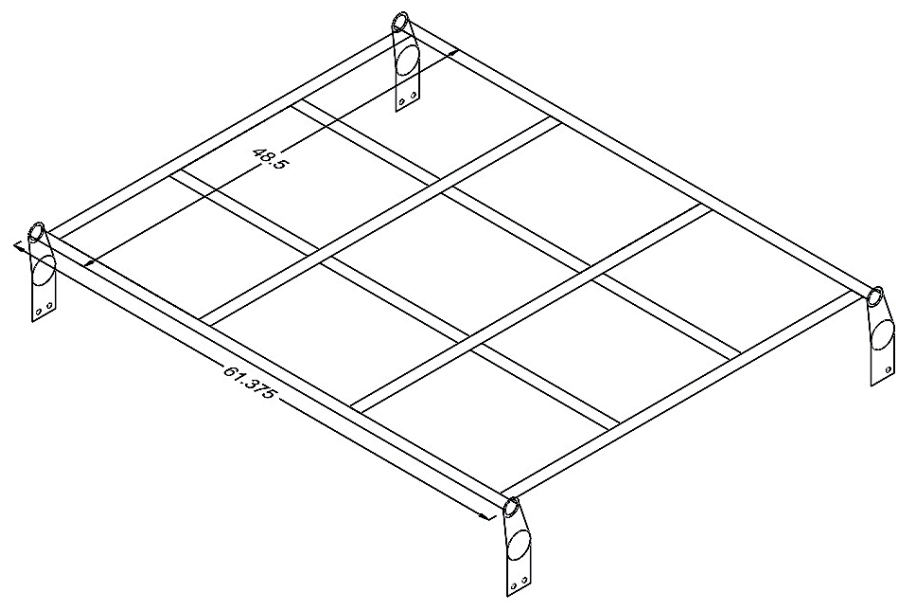
Return form to baddogin@live.ca for a custom quotation

If an option was not listed above please write below or if you have a comment

Standard teardrop layout



Full Roof Rack



Baddog's standard Trailer Frame

