



PORTAFILL



PORTAFILL 3000ST WASH SYSTEM TECHNICAL SPECIFICATION

**All drawing dimensions approximate and in millimetres. Portafill International reserves the right to alter the specification of these machine without notice.*



PORTAFILL 3000ST WASH SYSTEM

SCREEN

- Bolted, 2 Deck, 2 Bearing Screen High Speed, High Vibration Screen
- Overall Screen Box 2890mm (9'5") x 1200mm (4')
- Screen Deck Options –
 - Typical woven wire mesh top deck
 - Typical piano/harp wire bottom deck
- 2 Deck spray bar system
- Rubber lined sand catch box with single water outlet
- Water requirement – 1,000 to 1,500 L/min approx. More or less depending on material.

TIPPING GRID

- Hydraulically Tipping Grid with Remote Control
- Replaceable Grid Bars at 100mm Spacing
- Hopper Volume 3.25 cubic meters
- Maximum feed size 400mm on grid bars (depending on material)

MAIN CONVEYOR

- 800mm (32") Wide Main Belt
- Variable speed

WING CONVEYORS

- 600mm (24") Wide Conveyors
- Retractable Head Drum
- Discharge Height 2700mm (8'10")
- Hydraulically folding for transport

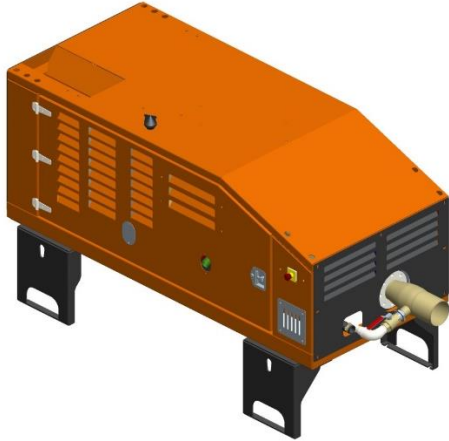
POWER

- Deutz D2011 L04I (EU Stage IIIA, EPA Tier 3) 36Kw (49HP)
- Deutz TCD2.2 L3 (EU Stage V, EPA Tier 4) 55kw (74HP)
- Additional pump drive to power DW80 Dewaterer
- 100Ltr Capacity Diesel Tank
- 300Ltr Hydraulic Tank

**All drawing dimensions approximate and in millimetres. Portafill International reserves the right to alter the specification of these machine without notice.*



WATER PUMP

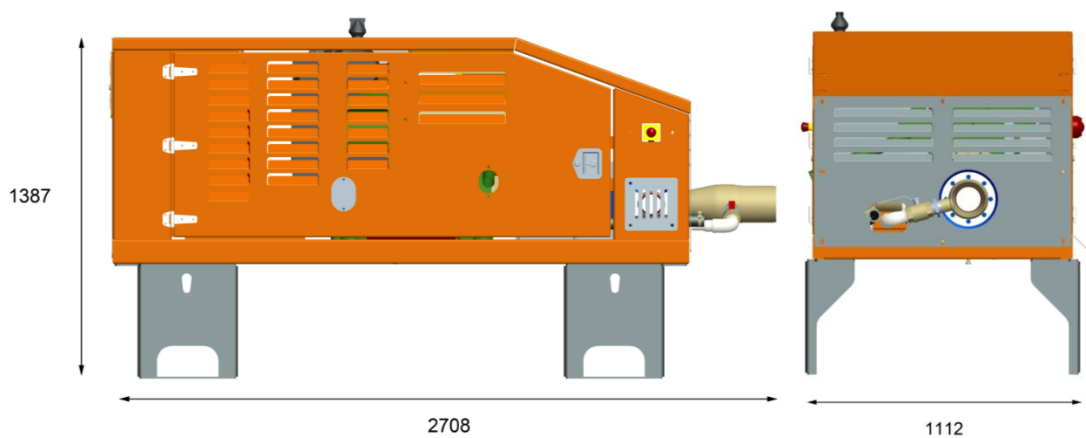


POWER

- Deutz D2011 L04I (EU Stage IIIA, EPA Tier 3) 36Kw (49HP)
- Deutz TCD2.2 L3 (EU Stage V, EPA Tier 4) 55kw (74HP)
- 100Ltr Capacity Diesel Tank
- Engine Control Panel
- Emergency stop switches

PUMP

- Centrifugal Pump capable of delivering 4000L/min
- Water reservoir for priming suction line

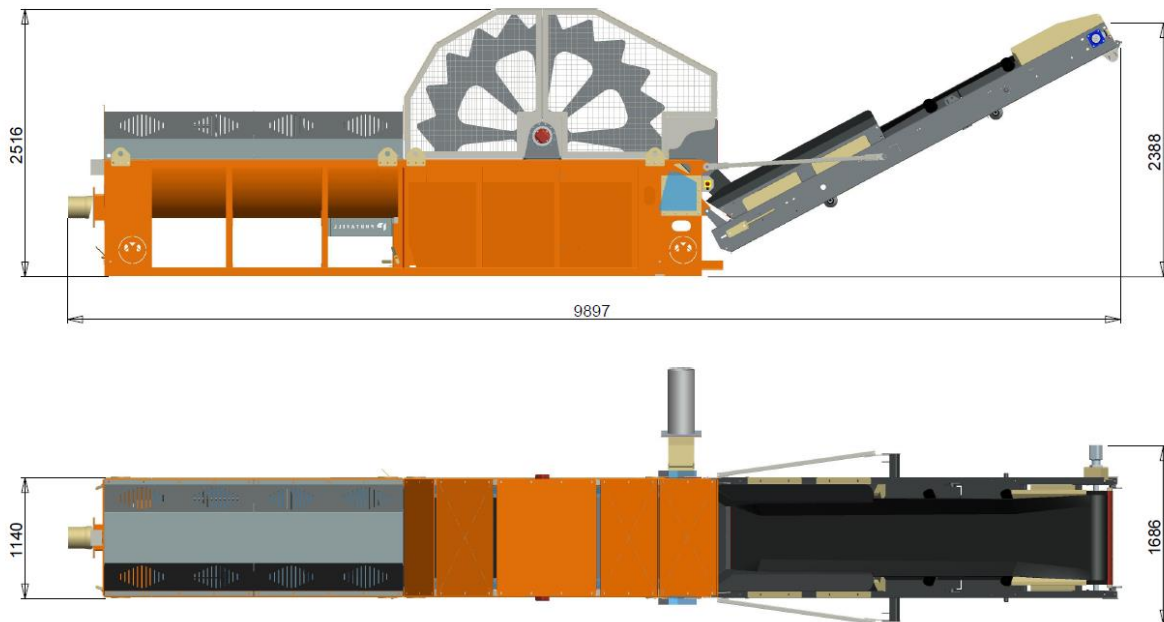


**All drawing dimensions approximate and in millimetres. Portafill International reserves the right to alter the specification of these machine without notice.*



PORTAFILL DW80 DEWATERER

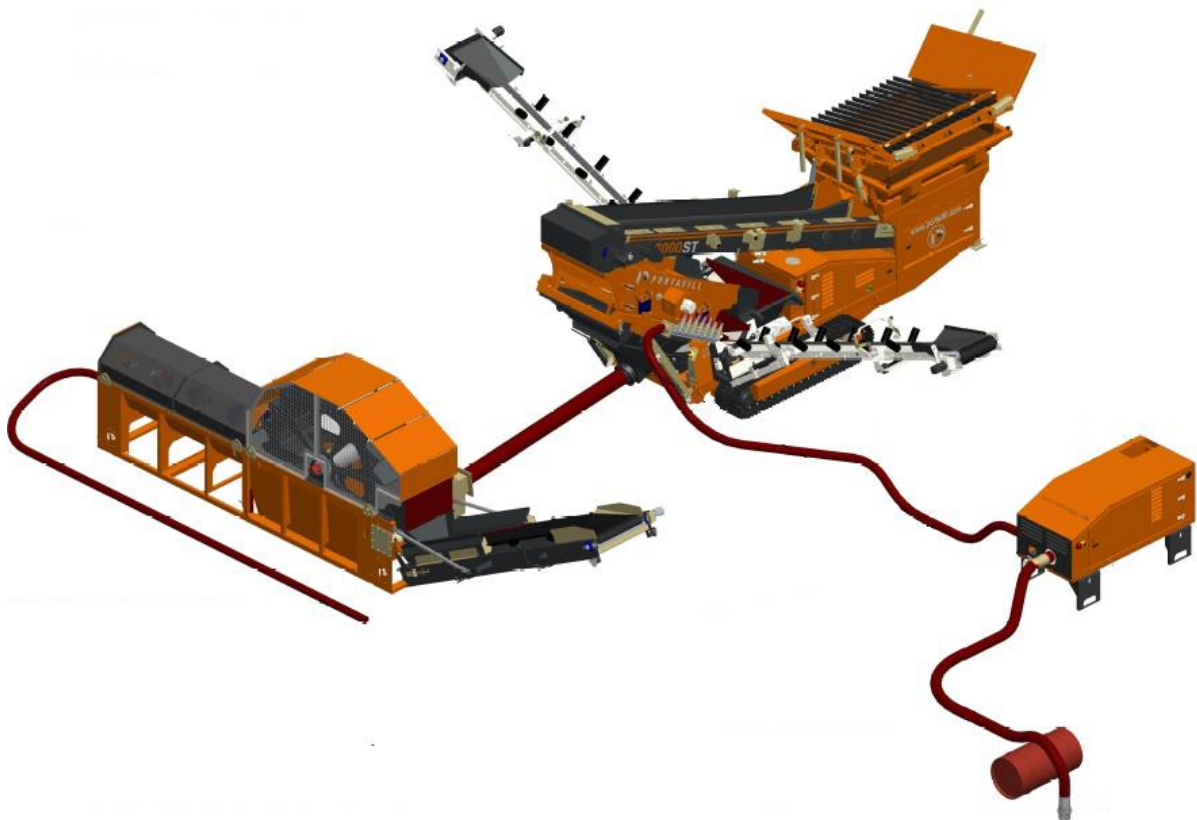
- Wheel diameter – 2360mm
- Bucket width – 750mm
- No of buckets - 20
- Mesh size in bucket – 4 x 8mm slot aperture
- Screw diameter – 940mm
- Length of screw – 2123mm
- Machine weight – 3300kg
- Water tank capacity – 2.80m³
- Option of chevron belt



**All drawing dimensions approximate and in millimetres. Portafill International reserves the right to alter the specification of these machine without notice.*



WASH PLANT OVERVIEW



**All drawing dimensions approximate and in millimetres. Portafill International reserves the right to alter the specification of these machine without notice.*