

ROOF NOTES:

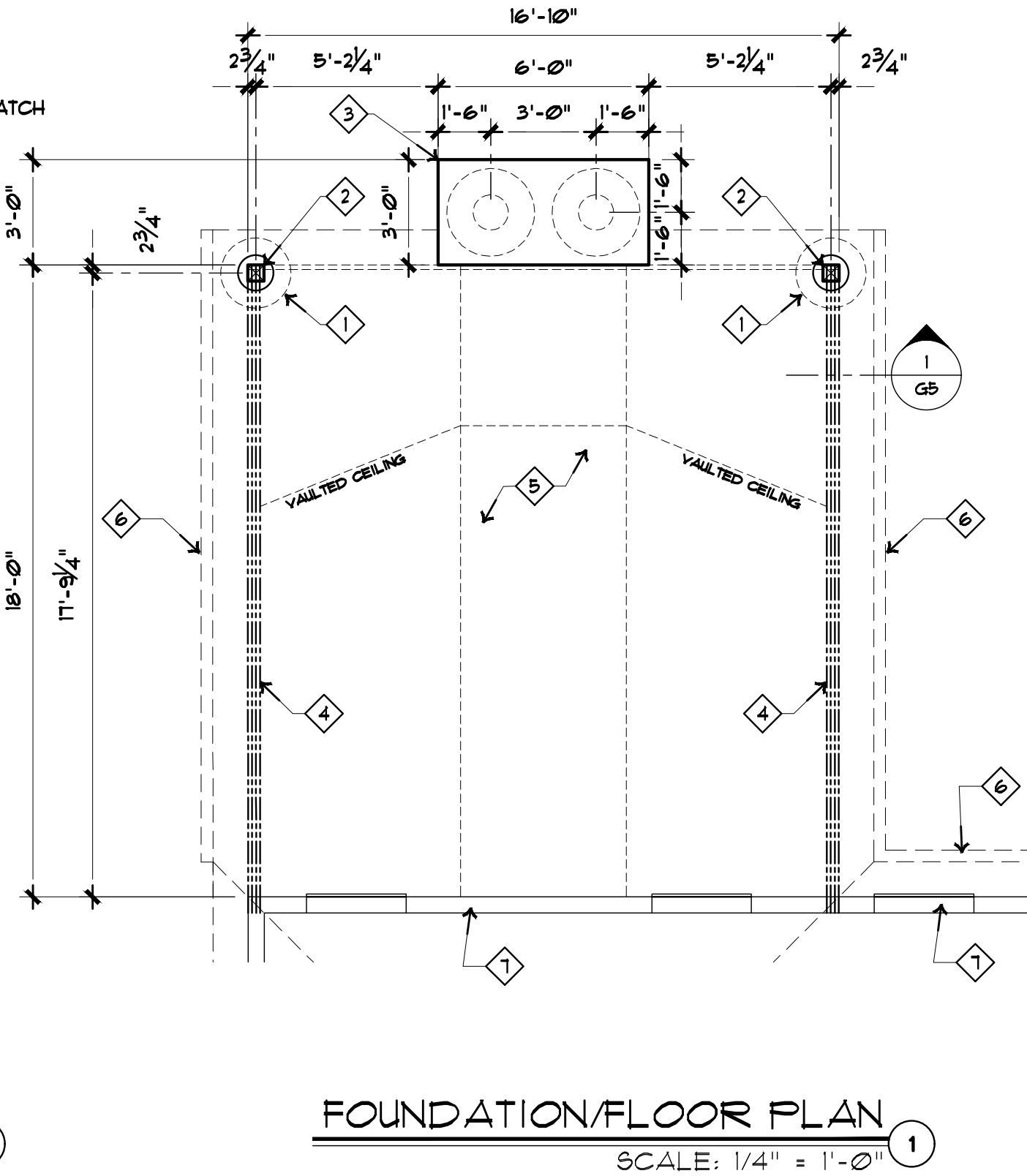
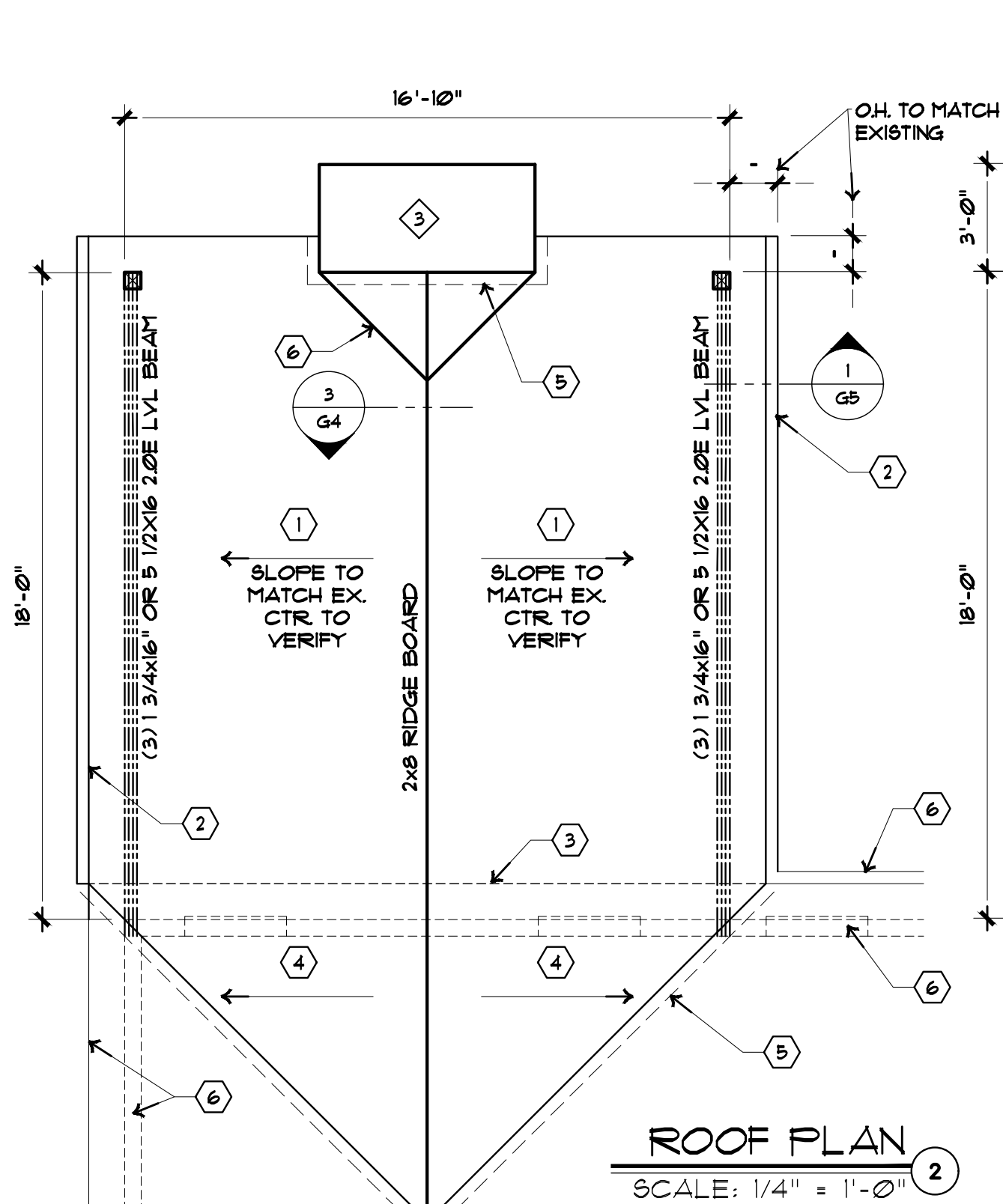
- ① ASPHALT SHINGLE ROOF (TO MATCH EX. HOME) O/ 2x6 RAFTERS SP #2 @ 16" O.C. TIE RAFTER TO BEAM w/ HURRICANE CLIP. OVERFRAME NEW INTO EXISTING
- ② GUTTERS & DOWNSPOUT TO MATCH EX. HOME

- ③ REMOVE EX. TRUSS TAILS FOR NEW PONY WALL
- ④ OVERFRAME TEW ROOF TINTO EXISTING ROOF
- ⑤ CONT. METAL FLASHING
- ⑥ EXISTING CONSTRUCTION TO REMAIN
- ⑦ NEW CRICKET @ CHIMNEY

FOUNDATION/FLOOR PLAN NOTES:

- ① 12"Ø PIERS w/ 26" BELLED BOTTOM, FLUSH w/ PATIO
- ② 6x6 PRESSURE TREATED SP #1 WOOD POST w/ SIMPSON ABU66 POST BASE
- ③ BRICK VENEER PREFAB. WOOD FIRE PLACE BY CRAFT MASTERS o/ 6" THK CONC. PAD WITH 12" PIERS w/ 30" BELLED BOTTOM PER MFG. SPECIFICATIONS

- ④ BEAM (ABOVE)
- ⑤ T4G WOOD CLG.
- ⑥ ROOF (ABOVE)
- ⑦ EXISTING CONSTRUCTION TO REMAIN



FREELANCE SERVICES
BRANDON BRETZ
brandonb@freelancesvc.com

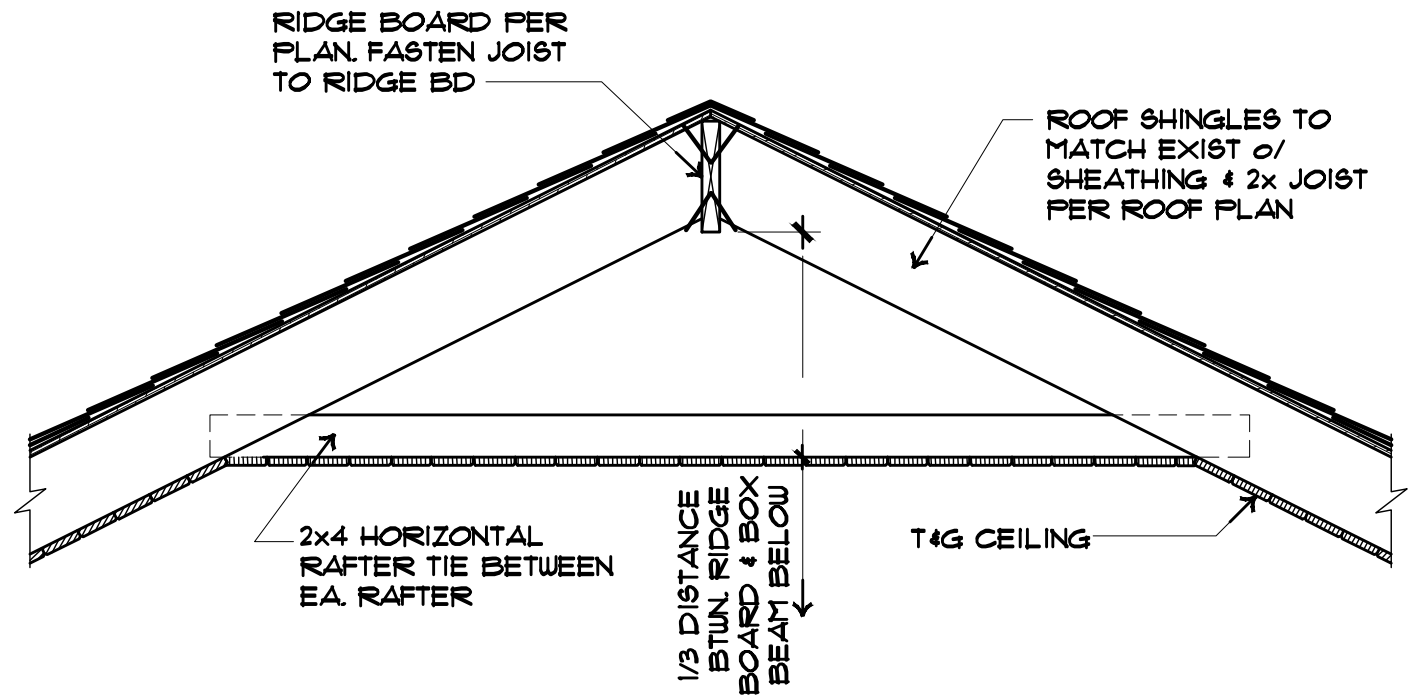
No.	Revision/Issue	Date
Δ	REMOVED ELECTRICAL INFO.	01/13/2026

PROJECT NAME AND ADDRESS

ENGINEER
DRIKOW & ASSOCIATES
GARY DRIKOW
2184 MICHIGAN AVENUE,
BOX 326
ARNOLD, MO 63010

PRELIMINARY
NOT FOR
CONSTRUCTION

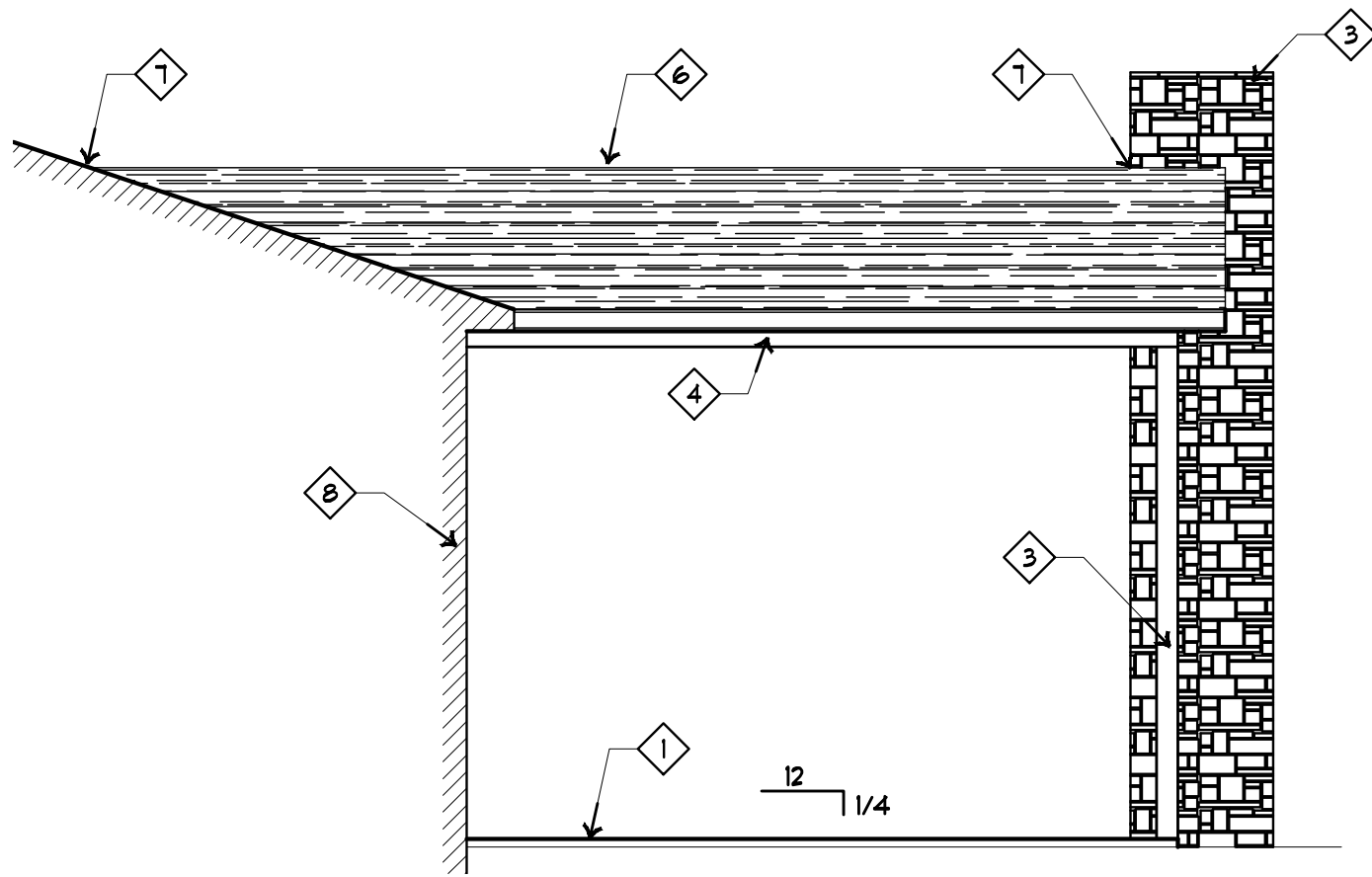
FOUNDATION PLAN
G3
DATE: 12/08/2025



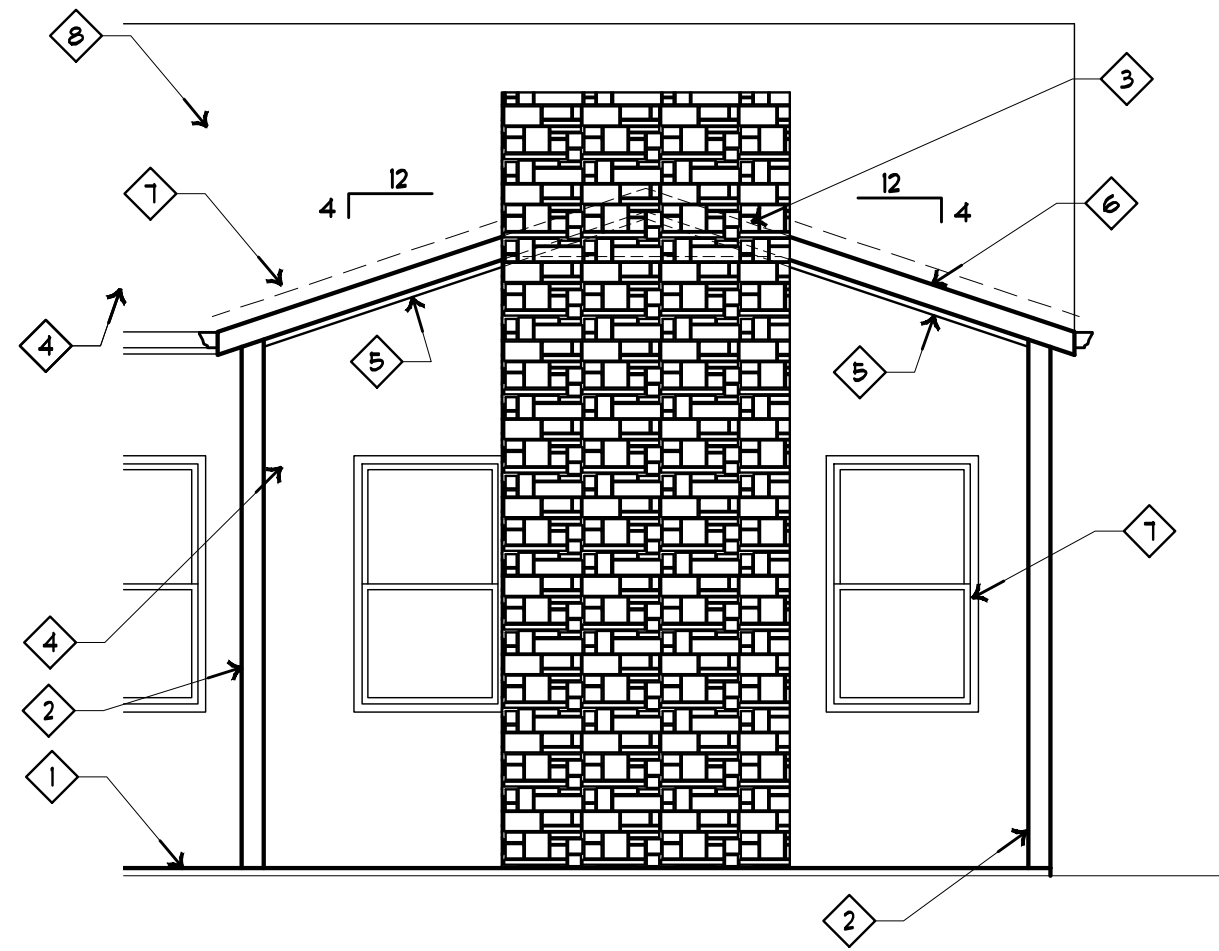
RAFTER/ COLLAR TIE DETAIL 3

ELEVATION NOTES:

- ① 4" THK CONC PATIO O/ COMPACTED GRAVEL
- ② 6x6 P.T. SP #1 WOOD POST w/ SIMPSON ABUG66 POST BASE
- ③ BRICK VENEER PREFAB. FIRE PLACE BY CRAFT MASTERS w/ A WOOD FIREPLACE INSERT. EXTEND EXHAUST PER MFG. SPECIFICATIONS
- ④ BEAM (P.T. OR WRAPPED)
- ⑤ T&G CEILING
- ⑥ ASPHALT SHINGLE GABLED ROOF. GUTTER SOFFIT & SHINGLES TO MATCH EXIST.
- ⑦ CONT. MTL FLASHING @ ROOF CONNECTION (MIN. 4" EW.)
- ⑧ EXIST. EXTERIOR WALL



SIDE ELEVATION (OPP. SIDE SIM) 2



FRONT ELEVATION 1
SCALE: 1/4" = 1'-0"

FREELANCE SERVICES
BRANDON BRETZ
brandonb@freelancesvc.com

No.	Revision/Issue	Date
Δ	XXXX	XX/XX/XXXX

PROJECT NAME AND ADDRESS

ENGINEER
DRIKOW & ASSOCIATES
GARY DRIKOW
2184 MICHIGAN AVENUE,
BOX 326
ARNOLD, MO 63010

PRELIMINARY
NOT FOR
CONSTRUCTION

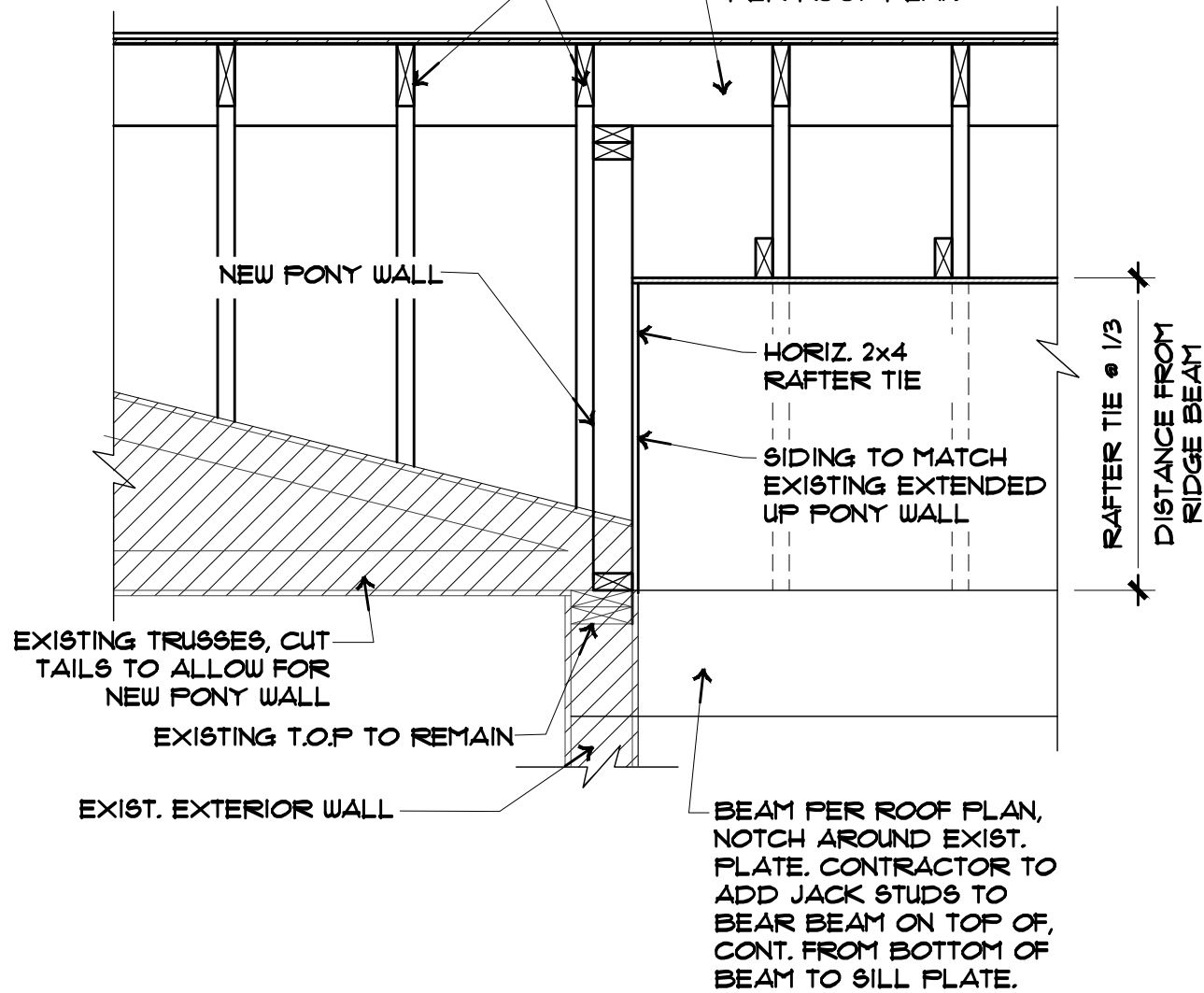
ELEVATIONS

G4

DATE: 12/08/2025

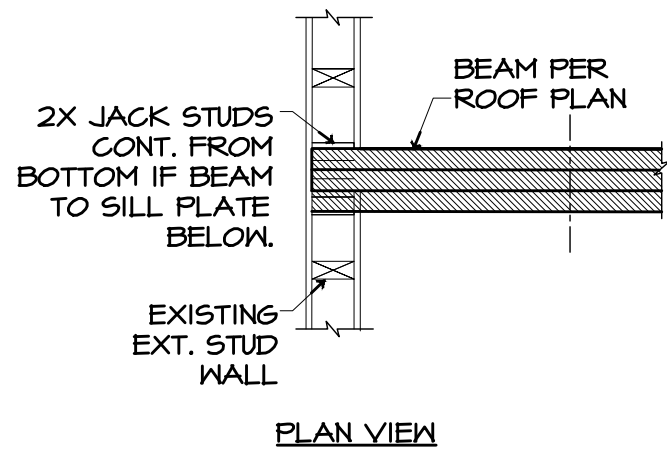
2x6 @ 16" O.C. OVERFRAME NEW HIP OVER EXISTING ROOF, CRICKET AS REQUIRED

CONT. RIDGEBEAM PER ROOF PLAN



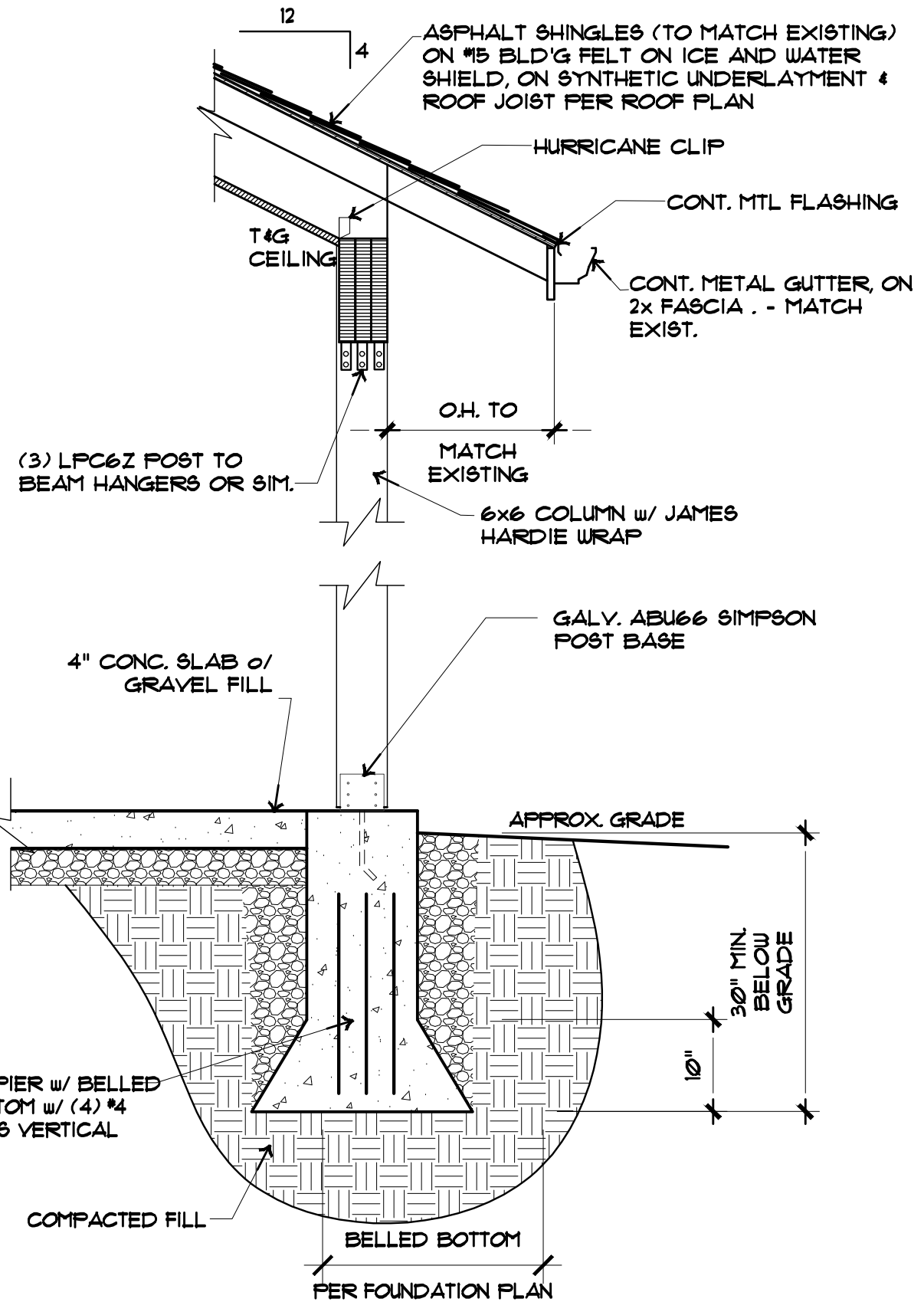
ROOF ATTACHMENT DETAIL

SCALE: 3/4" = 1'-0" **3**



BEAM ATTACHMENT DETAIL

SCALE: 3/4" = 1'-0" **2**



TYP. FOOTING DETAIL

SCALE: 3/4" = 1'-0" **1**

FREELANCE SERVICES
BRANDON BRETZ
brandonb@freelancesvc.com

No.	Revision/Issue	Date
Δ	xxxx	xx/xx/xxxx

PROJECT NAME AND ADDRESS

ENGINEER
DRIKOW & ASSOCIATES
GARY DRIKOW
2184 MICHIGAN AVENUE,
BOX 326
ARNOLD, MO 63010

PRELIMINARY
NOT FOR
CONSTRUCTION

DETAILS
G5

DATE: 12/08/2015