



CELETTE®

SEVENNE

SERIES



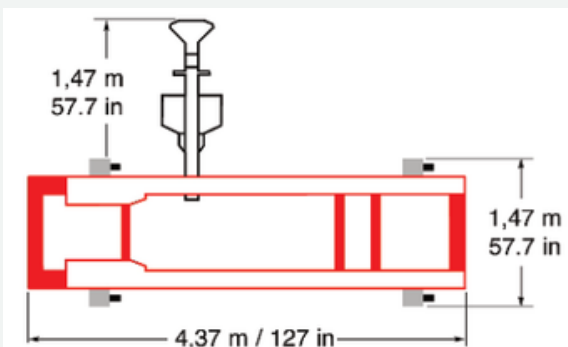
ULTIMATE
COLLISION EQUIPMENT

Sales, Service, and Training
240-749-9042
sales@ultimatecollisionequipment.com

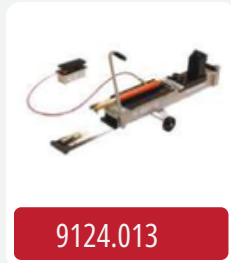
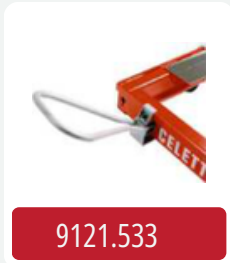
SEVENNE

COMPLETE MOBILE BENCH ON WHEELS REF NO:
SVN17.3212

Sevenne is a universal mobile bench, which can be upgraded to Rhone or Griffon. The anchoring can be achieved all around the bench, thanks to its peripheral frame for quick fixing of wheels, clamps, multi-function supports, and a steering handle.



Weight : 750 Kg / 1653 lb

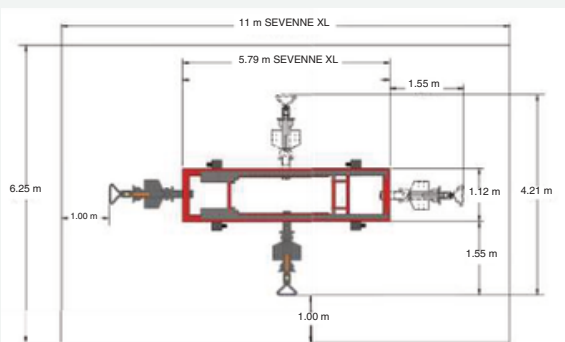


REF NUMBER	DESCRIPTION
SVN17.3212	BENCH + 4 ANCHORING CLAMPS + PULLING UNIT + STORAGE TROLLEY + CABLE + EXTENSION
REF NUMBER	OPTIONAL ACCESSORIES
9121.523	MULTI-FUNCTION SUPPORT
CSK.15111	PULLING KIT
ROLL.100	TROLLEY DISPLACEMENT
SC.40014	4 TON HYDRAULIC KIT
9124.013	SUPPLEMENTARY VECTOR PULLING UNIT
9121.533	STEERING HANDLE

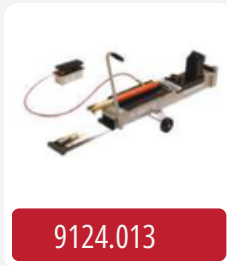
SEVENNE XL

EXTRA LONG MOBILE BENCH ON WHEELS REF NO:
SVN09XL.3112

Extended length bench on wheels is specially designed for repairing larger commercial vehicles. The key feature of this bench allows to position under a 2-post lift for loading and to easily move between work bays. The 5.8 m (19 ft) length is suitable for light trucks and commercial vehicles. The universal peripheral frame enables quick anchoring, adjustment of the clamps, wheels, transport handle and multi-function supports.



Weight : 1350 Kg / 2976 lb



REF NUMBER	DESCRIPTION
SVN09XL.3112	BENCH + 4 ANCHORING CLAMPS + PULLING UNIT + STORAGE TROLLEY
REF NUMBER	OPTIONAL ACCESSORIES
9121.523	MULTI-FUNCTION SUPPORT
CSK.15111	PULLING KIT
ROLL.100	TROLLEY DISPLACEMENT
SC.40014	4 TON HYDRAULIC KIT
9124.013	SUPPLEMENTARY VECTOR PULLING UNIT
9121.533	STEERING HANDLE



ULTIMATE
COLLISION EQUIPMENT

Sales, Service, and Training
240-749-9042
sales@ultimatecollisionequipment.com