

”

3

VARIANTS

ENTRY
PLUS
PREMIUM

CAMELEON ▶

Ultimate Collision Equipment
Sales Office: 240-749-9042
www.ultimatecollisionequipment.com

CAMELEON

Universal Jig is a system which has modularity in all the three XYZ axis which allows to setup Jigs accurately with standard tools provided by manufacturers.

The Celette universal jig system called the Cameleon is a set of customizable tools that enables the user to build highly accurate jig for any vehicle. The universal jig system works with a web based user-friendly software that determines the layout of each car based on the 3D database acquired from the respective automotive OEMs globally. The universal jig system has modularity of 1 mm on each X, Y & Z axis which enables to control the length, width & height of the different points in the car during the repair process.

WHY CAMELEON IS THE BEST UNIVERSAL JIG SYSTEM?

Cameleon universal jig system offers a complete and accurate structural repair solution for all the existing and upcoming vehicles without the need for additional tools. Online 3D software of Cameleon universal jig system ensures UP-TO-DATE largest world vehicle database. No compromise in the accuracy level of repair by Celette adaptable jig. Intuitive assembly layout facilitates quick construction of Cameleon universal jig. Complete universal jig solution for measuring/ diagnosis, anchoring, reconstruction and repair with a unique technique for all the vehicles in the segment. Universal jig setup can be customized online with 3D interaction interface to response your repair environment. Diagnostic, Pre and Post report can be created and sent to insurance companies or customers using Celette universal jig system.

VARIANTS

ENTRY | PLUS | PREMIUM



CAMELEON

CAMELEON

CUSTOMIZABLE FIXTURE SOLUTION - UNIVERSAL | ADJUSTABLE
REF NO: CAM01.102 | CAM02.142 | CAM02.162

A New concept for structural repair and measurement of damaged vehicles. Cameleon offers a complete and accurate structural repair solution for all the existing and future vehicles without the need for additional tools.



US 11,373,456 B2

ADAPTABLE FIXTURES



- ⊗ Online 3D software ensures up-to-date vehicle database all the time
- ⊗ Intuitive assembly layout facilitates quick construction of Cameleon fixtures
- ⊗ No compromise in the accuracy level of repair
- ⊗ Complete solution for measuring/diagnosis, anchoring, re-construction and repair with a unique technique for all the vehicles in the segment
- ⊗ Facilitates the use of existing Celette benches, cross members, MZ towers and MZ+ pistons
- ⊗ User-friendly software interface enables faster learning by body technicians Twice as efficient in terms of
- ⊗ productivity compared to electronic measuring systems and so-called universal jig systems

CAMELEON

CAMELEON

CUSTOMIZABLE FIXTURE SOLUTION - UNIVERSAL | ADJUSTABLE

REF NO: CAM01.102 | CAM02.142 | CAM02.162



US 11,373,456 B2

BUILD YOUR OWN JIGS WITH
OEM 3D CAD COORDINATES - CELETTE CERTIFIED REPAIR WITH CAMELEON

CAM01.102

ENTRY

10 - FIXTURES



RECOMMENDED FOR LIGHT REPAIR

CAM02.142

PLUS

14 - FIXTURES



RECOMMENDED FOR MEDIUM REPAIR

CAM02.162

PREMIUM

16 - FIXTURES



RECOMMENDED FOR MAJOR REPAIR

CAMELEON

CAMELEON

CUSTOMIZABLE FIXTURE SOLUTION - UNIVERSAL | ADJUSTABLE
REF NO: CAM01.102 | CAM02.142 | CAM02.162



US11,373,456 B2

USER INTERFACE - ISOMETRIC [3D] VIEW



3D SOFTWARE IS COMPATIBLE WITH iOS & ANDROID TOUCH-PAD

PREMIUM / PLUS



3D SOFTWARE IS COMPATIBLE WITH iOS & ANDROID TOUCH-PAD

CAMELEON

CAMELEON

CUSTOMIZABLE FIXTURE SOLUTION - UNIVERSAL | ADJUSTABLE

REF NO: CAM01.102 | CAM02.142 | CAM02.162



US 11,373,456 B2



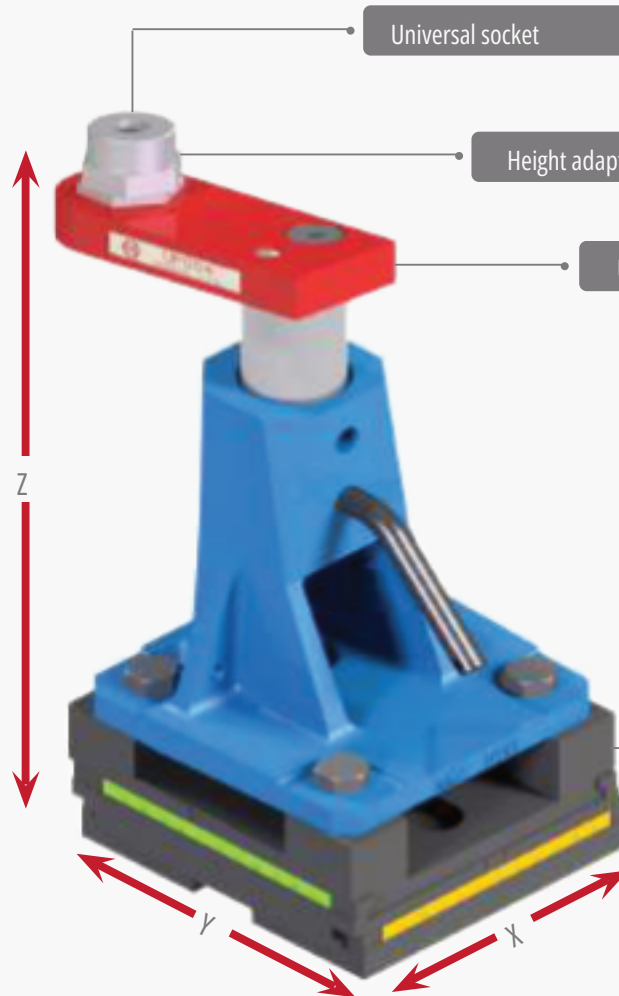
DIAGNOSTIC



SCREW FIXING



PILOT HOLE



ADJUSTABLE Z-AXIS

Adjust the MZ tower and piston configuration

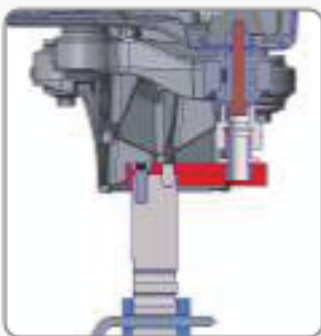
up/down by 10mm

Adjust up to 15mm with the height adaptor

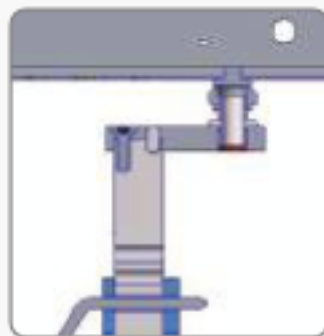
Adjustable platform

ADJUSTABLE X & Y-AXIS

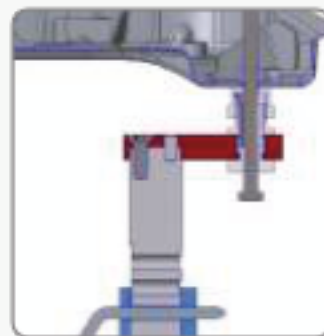
(0 to 100mm)



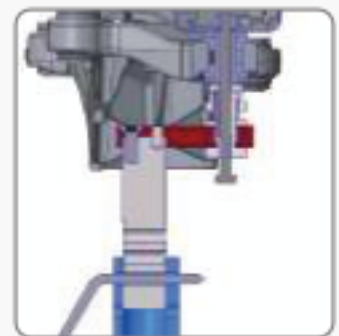
With suspension parts - diagnosis



Pilot hole checking



Without suspension parts



With suspension parts - anchoring

CAMELEON



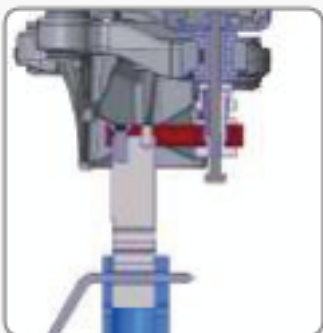
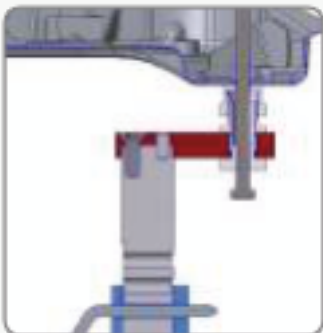
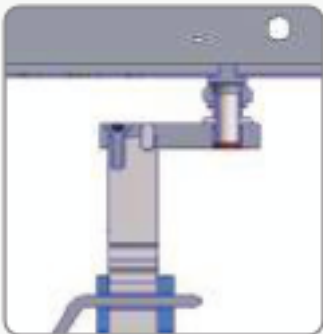
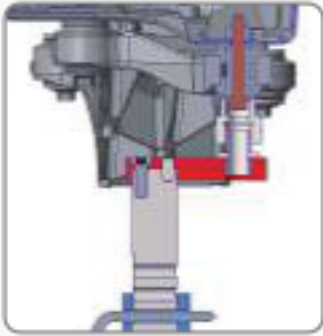
US 11,373,456 B2

CAMELEON

CUSTOMIZABLE FIXTURE SOLUTION - UNIVERSAL | ADJUSTABLE
REF NO: CAM01.102 | CAM02.142 | CAM02.162

DIAGNOSTIC | POSITIONING | ANCHORING
ALL YOU NEED TO PERFORM AN OEM CERTIFIED REPAIR PROCESS

ADAPTABLE FIXTURES



CAMELEON

CAMELEON

CUSTOMIZABLE FIXTURE SOLUTION - UNIVERSAL | ADJUSTABLE

REF NO: CAM01.102 | CAM02.142 | CAM02.162



US 11,373,456 B2



ADDITIONAL HOLDING DEVICE

STANDARD SCOPE OF SUPPLY WITH
ALL VARIANTS OF CAMELEON

**WANT TO
UPGRADE?**

PREMIUM / PLUS

CAMELEON ENTRY

CAM02.066 | ADD-ON KIT
CAMELEON PREMIUM

CAM02.042 | ADD-ON KIT
CAMELEON PLUS



ALL THE COMPONENTS ARE ERGONOMICALLY PLACED
INSIDE THE
TROLLEY FOR MANEUVERABILITY

CAMELEON

CAMELEON

CUSTOMIZABLE FIXTURE SOLUTION - UNIVERSAL | ADJUSTABLE
REF NO: CAM01.102 | CAM02.142 | CAM02.162



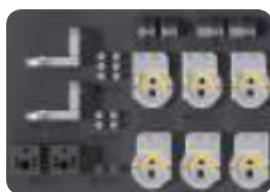
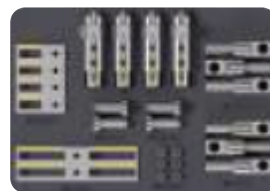
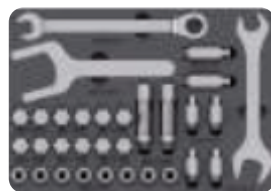
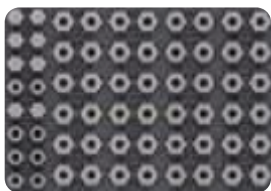
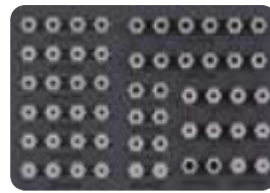
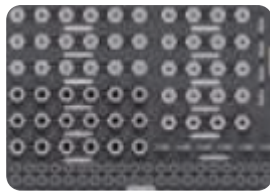
US11,373,456 B2

ADAPTABLE FIXTURES

CAMELEON

PREMIUM

CAM02.162



CAMELEON

CAMELEON

CUSTOMIZABLE FIXTURE SOLUTION - UNIVERSAL | ADJUSTABLE

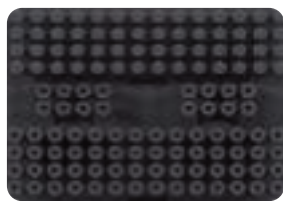
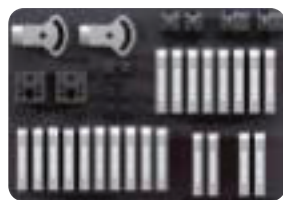
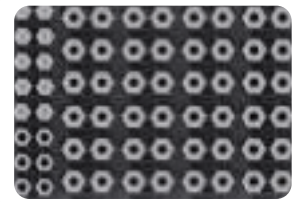
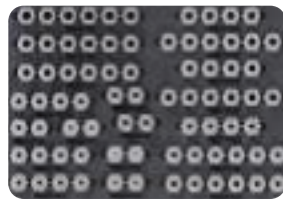
REF NO: CAM01.102 | CAM02.142 | CAM02.162



US 11,373,456 B2

CAMELEON PLUS

CAM02.142



CAMELEON

CAMELEON

CUSTOMIZABLE FIXTURE SOLUTION - UNIVERSAL | ADJUSTABLE
REF NO: CAM01.102 | CAM02.142 | CAM02.162



US 11,373,456 B2

ADAPTABLE FIXTURES

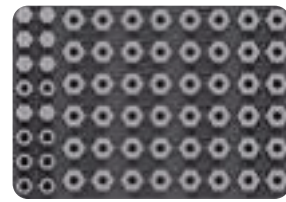
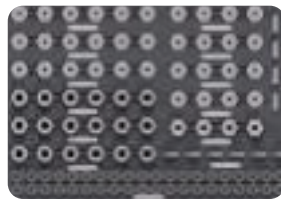
CAMELEON

ENTRY

CAM01.102



ONLY WITH PLUS & PREMIUM VARIANTS



CAMELEON

CAMELEON

CUSTOMIZABLE FIXTURE SOLUTION - UNIVERSAL | ADJUSTABLE

REF NO: CAM01.102 | CAM02.142 | CAM02.162



US11,373,456 B2

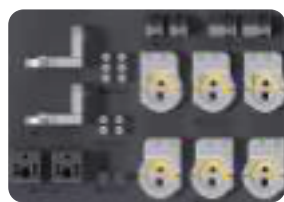
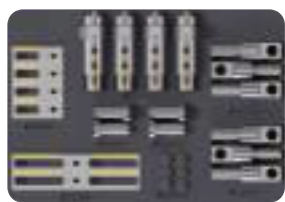
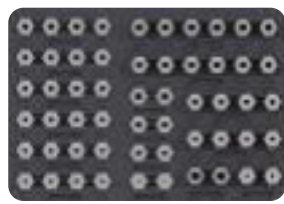
CAMELEON

ADD-ON KIT

CAM02.042



CAM02.066



UPGRADE TO PLUS VARIANT REF NO: CAM02.042

UPGRADE TO PREMIUM VARIANT REF NO: CAM02.066

CAMELEON

CAMELEON

CUSTOMIZABLE FIXTURE SOLUTION - UNIVERSAL | ADJUSTABLE
REF NO: CAM01.102 | CAM02.142 | CAM02.162



US 11,373,456 B2

CAMELEON

ADD-ON KIT

ADAPTABLE FIXTURES



ADD-ON KIT FOR
MERCEDES-BENZ - CAM01.KIT01



ADD-ON KIT FOR
BMW & JLR - CAM01.KIT02

CAMELEON

CAMELEON

CUSTOMIZABLE FIXTURE SOLUTION - UNIVERSAL | ADJUSTABLE

REF NO: CAM01.102 | CAM02.142 | CAM02.162



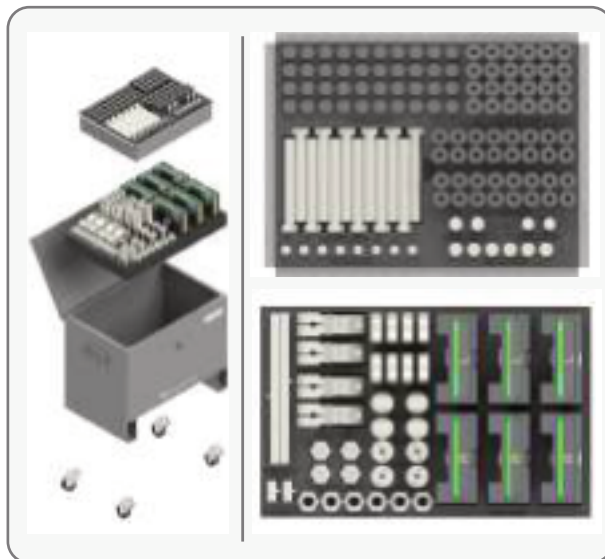
US11,373,456 B2

CAMELEON

ADD-ON KIT



ADD-ON KIT FOR
TESLA - CAM01.KIT03



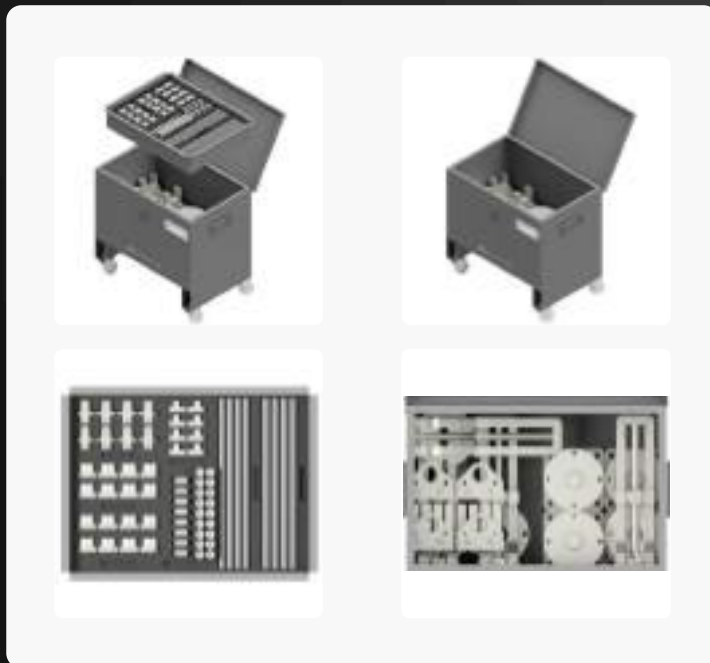
ADDITIONAL CAMELEON KIT
CAM01.KIT04

CAMELEON CHASSIS

ADD-ON KIT CAMELEON CHASSIS REF NO:
CAM03.246



- ⊖ Cameleon chassis is ideal for repairing light truck vehicle ladder frame.
- ⊖ It anchors the chassis firmly while making pulling & repair operation.
- ⊖ The adaptable Cameleon chassis is suitable for holding all the critical fixation in the ladder frame.
- ⊖ It also works as a holding device during replacement of new components.



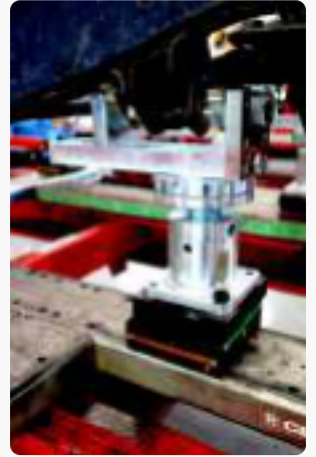
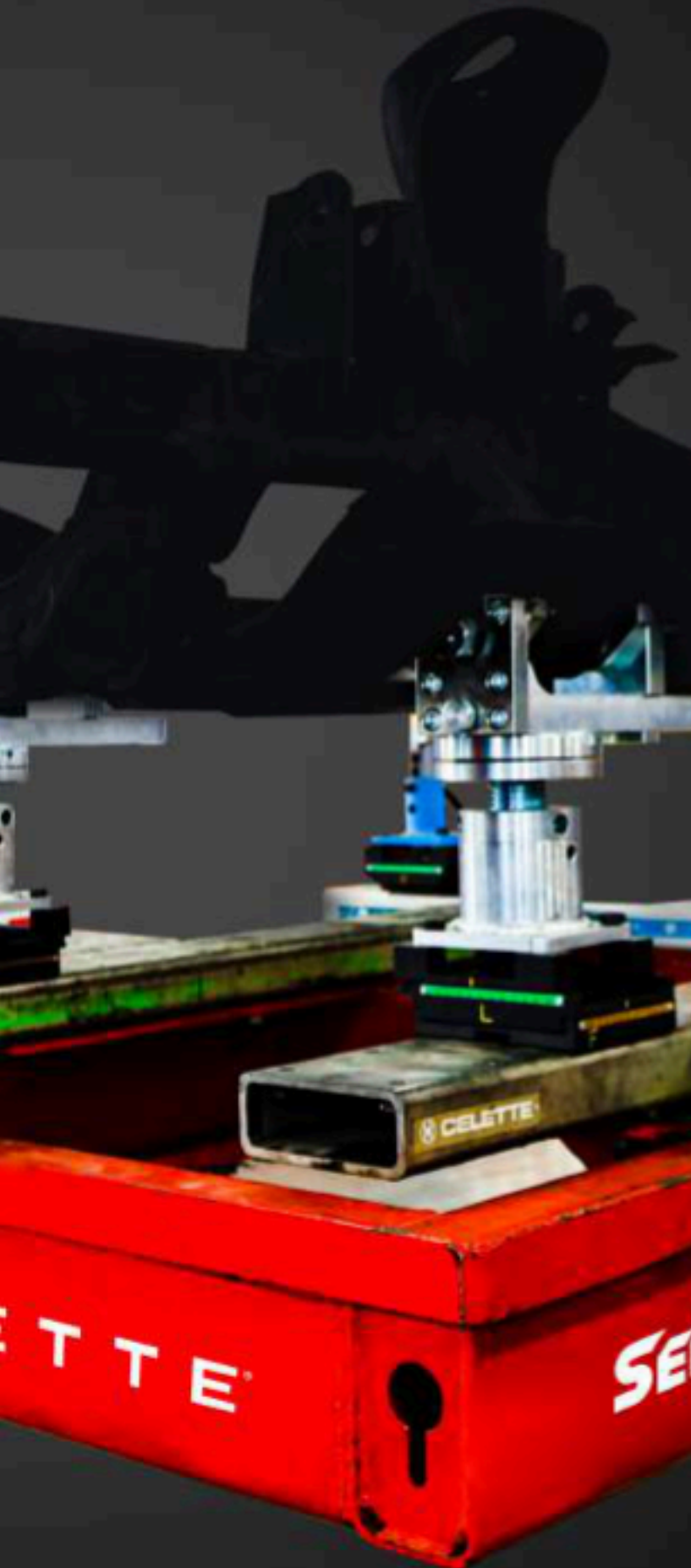
CAMELEON

CHASSIS

CAMELEON



US 11,373,456 B2



CAMELEON

CAMELEON UPPER BODY JIG

CAMELEON UPPER BODY FIXTURE SET REF NO:
CAM04.032

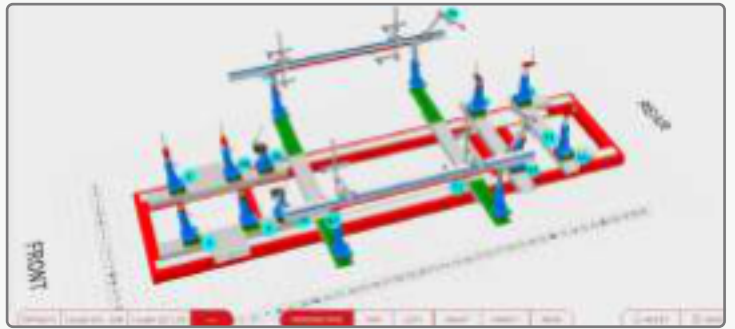
ADAPTABLE FIXTURES



NEW
« PRODUCT

PATENTED

US 11,373,456 B2



- ⊖ Cameleon upper body jigs are unique combination of adaptable fixtures which offers high level of accuracy as celette dedicated jigs.
- ⊖ It is a real universal set which can be used for all kind of vehicle upper body jig repair. The online software designs the
- ⊖ fixture set instantly from the OEM data.



CAMELEON

18

www.ultimatecollisionequipment.com
240-749-9042



COLLISION EQUIPMENT



Sales, Service, and Training

240-749-9042

sales@ultimatecollisionequipment.com