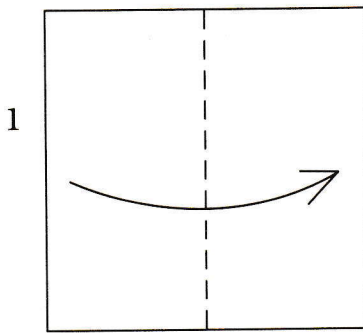
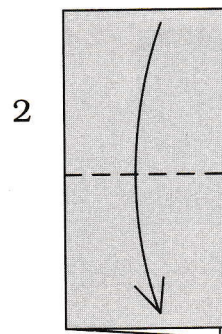


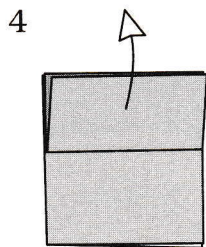
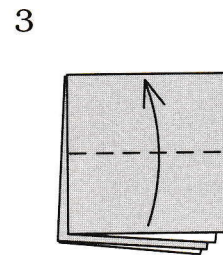
# Frog



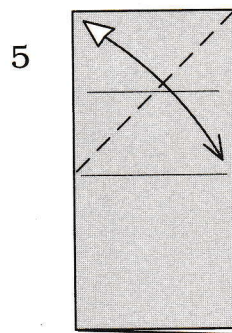
Fold in half.



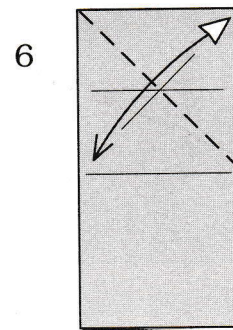
Fold in half.



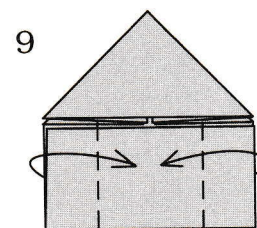
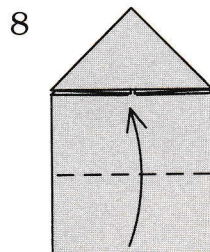
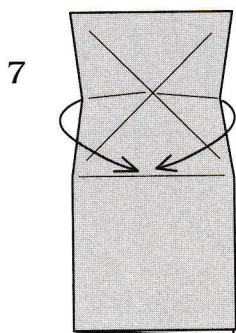
Unfold.

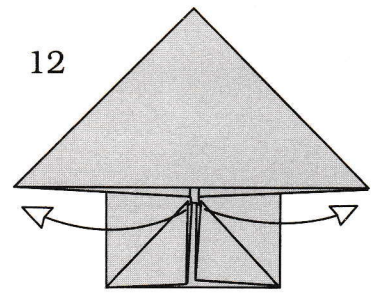
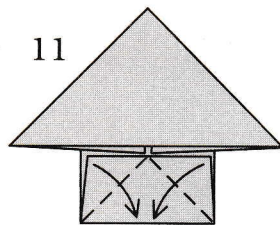
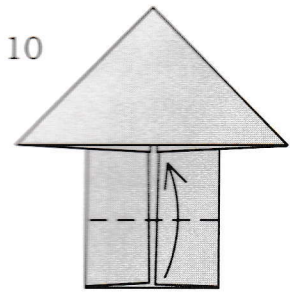


Fold and unfold.

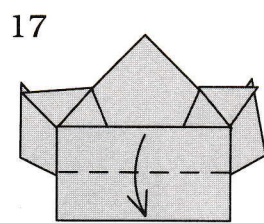
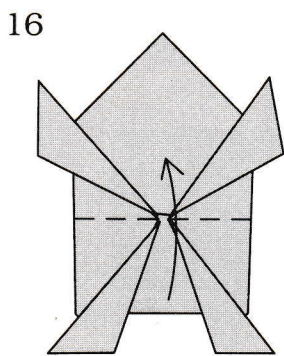
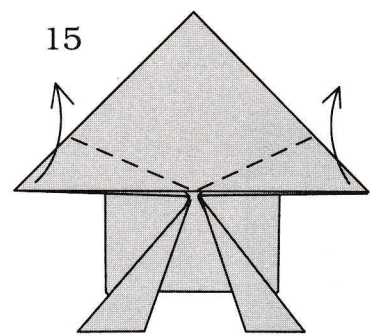
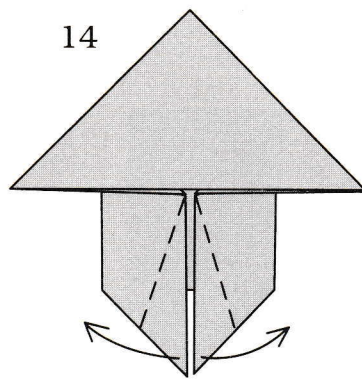
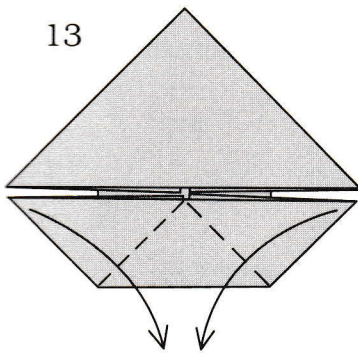


Fold and unfold.

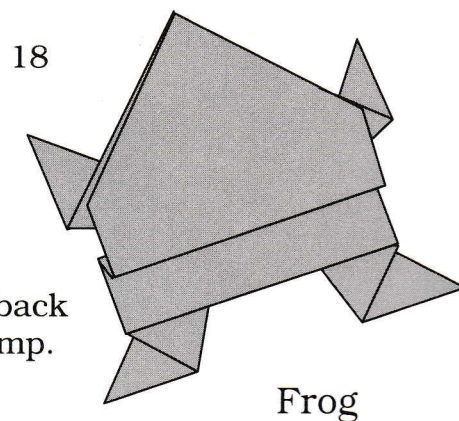




Pull out the corners.



Turn over.



Push down on the back and the frog will jump.

Frog