



MICROLOGY

BC SERIES

FULLY AUTOMATIC BATTERY CHARGER

5A and 10A

CONSTANT POTENTIAL CHARGERS

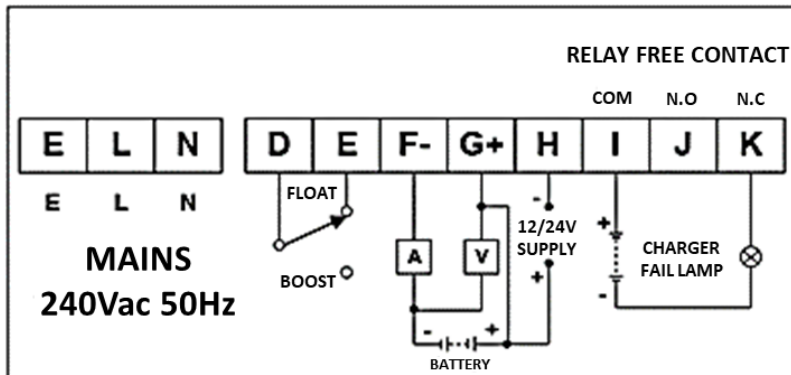
A range of compact chargers designed for any application requiring the automatic charge of batteries under varying loads.

BC SERIES

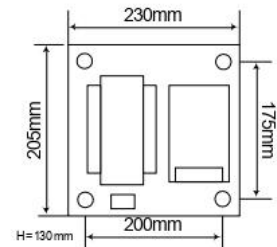
FEATURES:

- Charging LED indicator
- Boost charge facility
- Capable to restart the Flat battery
- Compatibility with Lead Acid or Ni-acid cell
- Charge fail monitor option
- Automatic turn charger OFF without the needs of attendance.
- Automatic Monitor and Rechargers it full.

TYPICAL CONNECTION DIAGRAM



Dimensions



PACKING SIZE : 25X23X14CM
(LxWxH)
Gross weight : 5kg

Specification:

Input voltage : 240Vac
Output voltage : 12Vdc (BC1210)
Output voltage : 24Vdc (BC2410)
Output Ampere : 10A max.

- (1) CHARGING LED
- BLINKS WHEN CURRENT IS LOW
- (2) LEAD ACID / NI-CAD
BATTERY SELECTION
- (3) PRESS TO JUMP START WHEN
BATTERY IS FLAT

IMPORTANT:

SELECT THE JUMPER SOCKET
ACCORDINGLY WITH REFERENCE
TO THE BATTERY TYPE

