



Micrology

model: **R499**

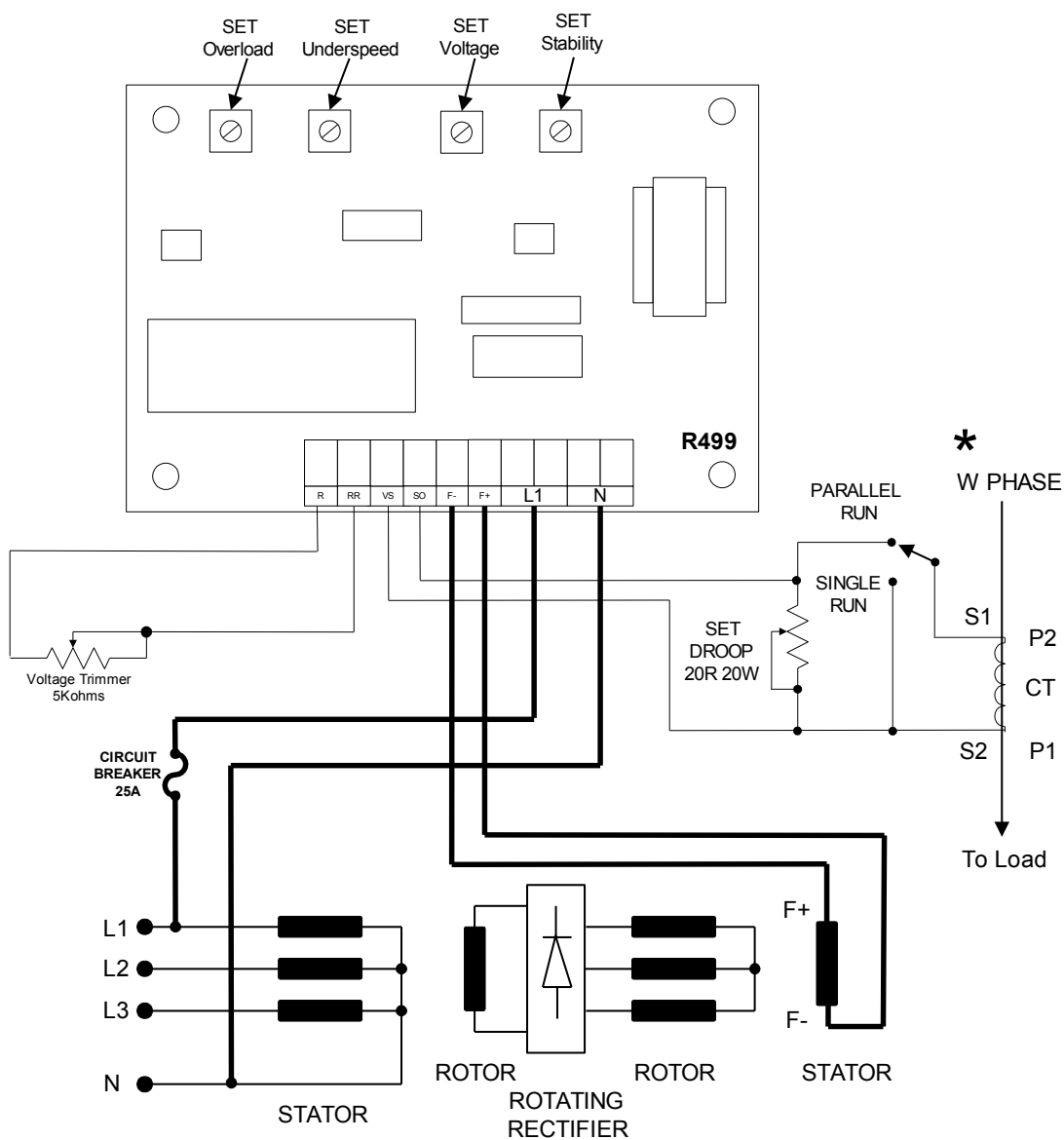
Advanced Automatic *Voltage Regulator*

SPECIFICATIONS

Input Voltages : 240Vac
Output Voltages : 50-205Vdc
Maximum Output Ampere : 25A

Features:

Voltage Adjustable, Stability Adjustable, UnderSpeed Protection, Remote Voltage Trimmer, and synchronizing.



Physical Size: L:195 W:135 H:40