



Micrology

model: **R4v3**

Automatic *Voltage Regulator*

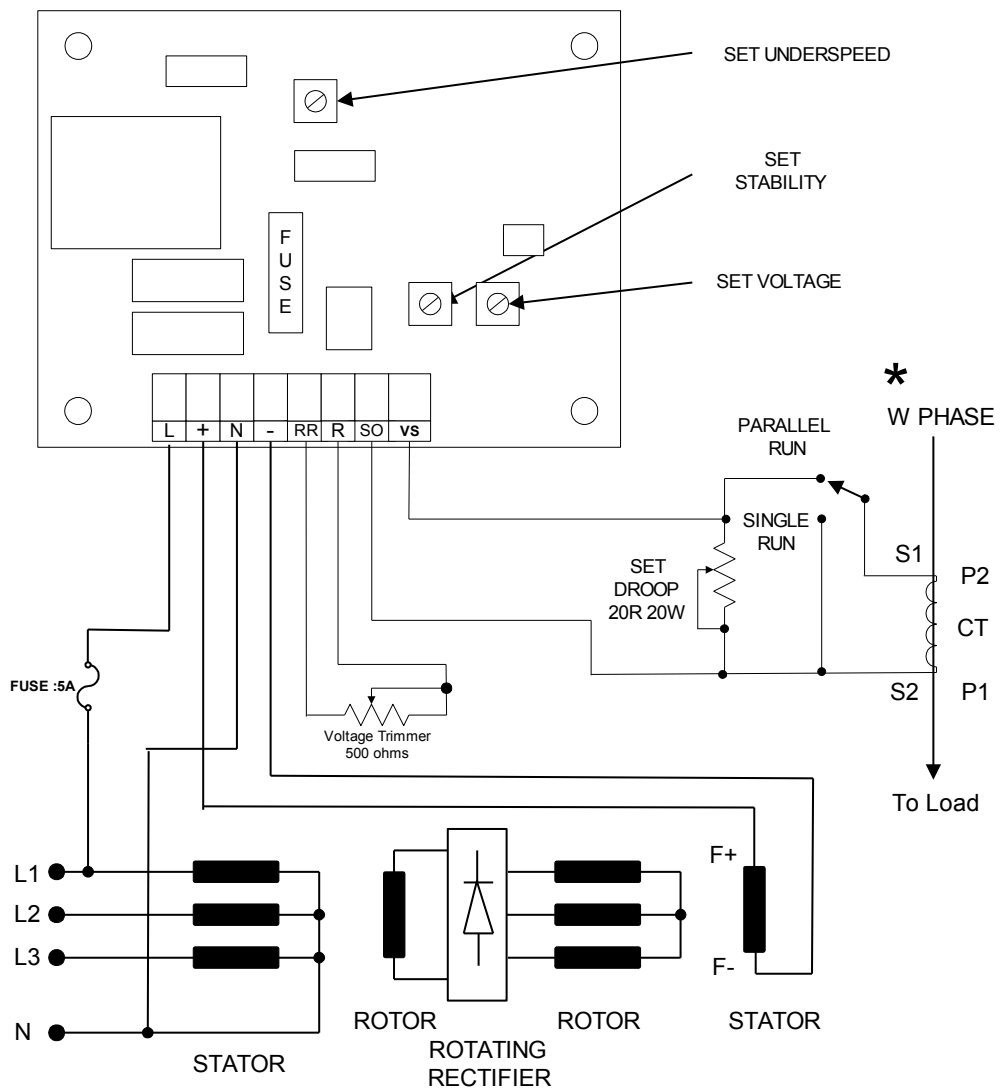
SPECIFICATIONS

Input Voltages : 200-240Vac
 Output Voltages : 3-85Vdc
 Maximum Output Ampere : 5-8A

Features:

Voltage Adjustable, Stability Adjustable, UnderSpeed Protection,
 Remote Voltage Trimmer and synchronizing.

By default factory fuse is 5A. (8A maximum)



Physical Size: L:180 W:140 H:40