



Micrology

model: R925HV

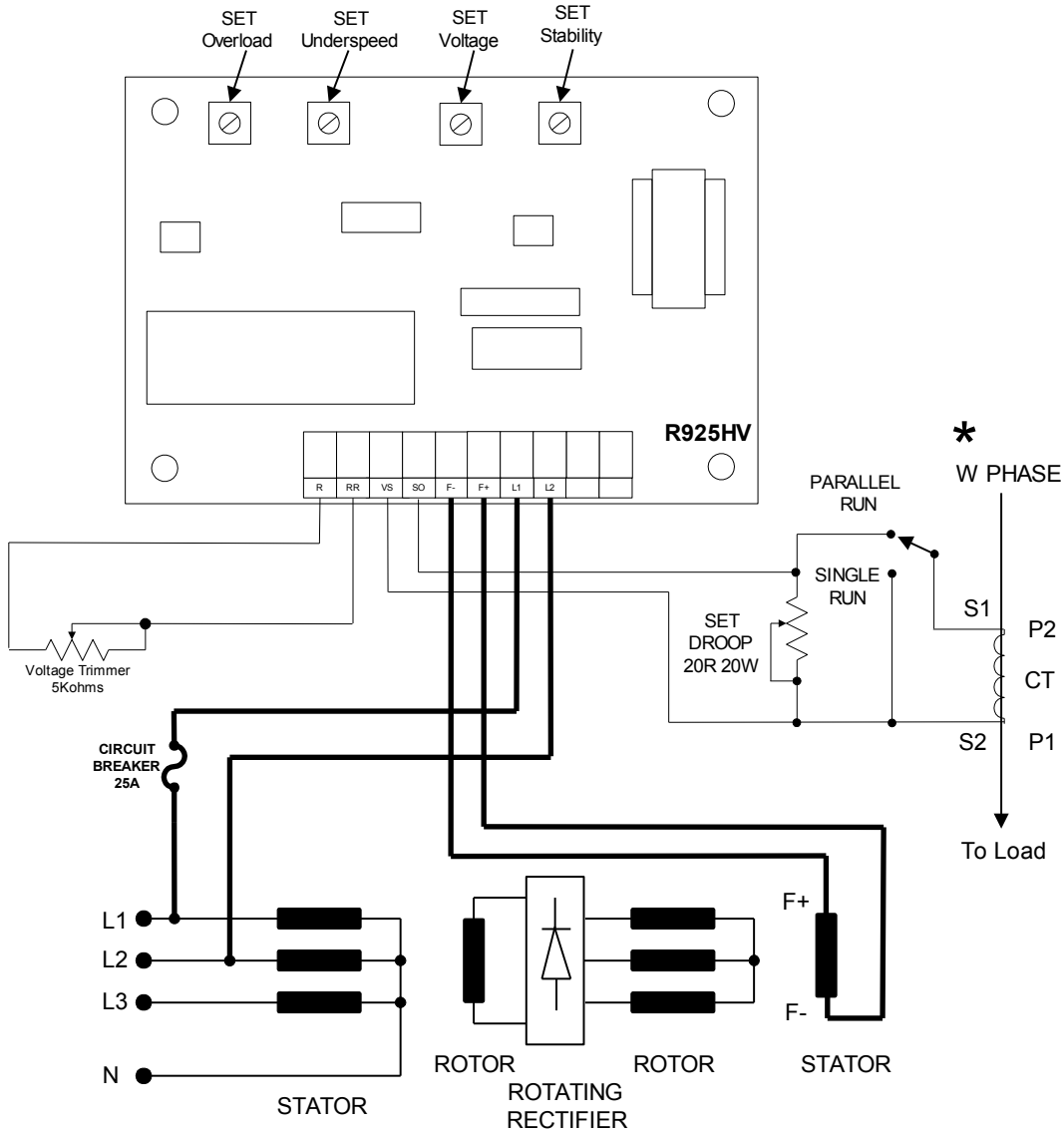
Advanced Automatic *Voltage Regulator* 2 PHASE SENSING 230V

SPECIFICATIONS

Input Voltages : 230Vac
 Output Voltages : 50-205Vdc
 Maximum Output Ampere : 25A

Features:

Voltage Adjustable, Stability Adjustable, UnderSpeed Protection, Remote Voltage Trimmer, and synchronizing.



Physical Size: L:195 W:135 H:40