



Bambi

BUCKET®

Driven by Innovation



**BUILT TO
ENDURE**



BAMBI BUCKET

Product Description

Globally, the Bambi Bucket brand has become synonymous with aerial firefighting. The Bambi Bucket is now used in more than 115 countries around the world by more than 1,000 helicopter operators.

Product Name

Standard Bambi Bucket (BB)

Weight

See chart next page

Key Benefits

- Cost-effective water delivery
- Easy to maintain
- Portable convenience

Key Features

- Fully collapsible
- High-flow dump valve
- Low power consumption (5 A @ 28 VDC)
- Designed for maximum durability and strength

Accessories

- PowerFill Snorkel
- Power Pack
- Sacksafoam Bladder
- Sacksafoam Heli-Case
- Sacksafoam Plus
- Mobility Sled
- Firesock



BAMBI BUCKET

Specifications

BAMBI BUCKET	CAPACITY		EMPTY WEIGHT		GROSS WEIGHT		OVERALL LENGTH	
	USG	liters	lb	kg	lb	kg	ft	m
BB6072	72	270	70	32	670	300	12'-11"	3.94
BB8096	96	360	73	33	870	400	14'-6"	4.42
BB9011	108	410	74	34	970	440	14'-6"	4.42
BB1012	120	450	74	33	1 070	490	14'-6"	4.42
BB1214	144	550	75	34	1 280	580	14'-10"	4.52
BB1518	180	680	79	36	1 580	720	15'-2"	4.62
BB1821	216	820	88	40	1 890	860	15'-11"	4.85
BB2024	240	910	130	59	2 130	970	20'-1"	6.13
BB2226	260	1 000	128	58	2 330	1 060	15'-10"	4.82
BB2732	320	1 230	137	62	2 840	1 290	23'-0"	7.00
BB3542	420	1 590	145	66	3 650	1 650	23'-8"	7.22
BB4453	530	2 000	180	80	4 580	2 080	23'-9"	7.25
BB5566	660	2 500	260	120	5 760	2 610	24'-0"	7.32
BB680K	680	2 570	270	120	5 930	2 690	24'-0"	7.32
BB6578	780	2 950	310	140	6 810	3 090	24'-2"	7.37
BB7590	900	3 410	340	150	7 840	3 550	30'-3"	9.21
BBHL4000	1 060	4 000	360	160	9 160	4 150	30'-0"	9.14
BBHL5000	1 320	5 000	390	180	11 390	5 170	32'-0"	9.75
BBHL7600	2 010	7 600	470	210	17 190	7 800	32'-6"	9.91
BBHL9800	2 590	9 800	530	240	22 090	10 020	33'-6"	10.21

*Please contact us for more information.
 Specifications are subject to change without notice.
 Weights listed above do not account for accessories.*

BAMBI MAX BUCKET

Product Description

The Bambi MAX Bucket offers the same robust, durable and dependable technology that you have come to know over the past 35+ years from the original Bambi Bucket®. Stay on fires longer with the Bambi MAX's added features.

The Bambi MAX Bucket offers 14 different sizes, ranging from 680 L (180 USG) to 9800 L (2590 USG).



The Bambi MAX Bucket is available with a 2-pump, or 4-pump, internal configuration. This bottom-filling technology provides fill rates of 850 or 1,700 US gallons per minute, respectively. Kits are available to add the PowerFill MAX system to your Bambi MAX Bucket.

Product Name

Bambi MAX Bucket (BBX)

Weights

See chart next page

Key Benefits

- Improve efficiency by splitting water load into multiple drops
- Improve efficiency by increasing bucket capacity through fuel cycle

Key Features

- Unlimited valve actuations
- Pilot-operated capacity control
- Low-power consumption (5 A @ 28 VDC)
- Simple three-wire electrical connection

Accessories

- PowerFill Snorkel
- PowerFill MAX
- Power Pack
- Sacksafoam Bladder
- Sacksafoam Heli-Case
- Sacksafoam Plus
- Mobility Sled
- Firesock

BAMBI MAX BUCKET

Specifications

BAMBI BUCKET	CAPACITY		EMPTY WEIGHT		GROSS WEIGHT		OVERALL LENGTH	
	USG	liters	lb	kg	lb	kg	ft	m
BBX1518	180	680	95	43	1 600	720	13'-3"	4.05
BBX1821	216	820	105	48	1 900	860	13'-6"	4.10
BBX2024	240	910	140	63	2 140	970	17'-8"	5.39
BBX2226	260	1 000	138	63	2 340	1 060	13'-6"	4.11
BBX2732	320	1 230	148	67	2 850	1 290	20'-7"	6.27
BBX3542	420	1 590	155	70	3 660	1 660	21'-3"	6.48
BBX4453	530	2 000	230	100	4 630	2 100	21'-3"	6.48
BBX5566	660	2 500	300	140	5 800	2 630	21'-5"	6.53
BBX6578	780	2 950	340	150	6 840	3 100	21'-8"	6.60
BBX7590	900	3 410	370	170	7 870	3 570	27'-11"	8.51
BBXHL4000	1 060	4 000	380	170	9 180	4 160	27'-9"	8.46
BBXHL5000	1 320	5 000	400	180	11 400	5 170	29'-3"	8.92
BBXHL7600	2 010	7 600	490	220	17 210	7 800	30'-4"	9.24
BBXHL9800	2 590	9 800	550	250	22 110	10 030	30'-8"	9.33

*Please contact us for more information.
 Specifications are subject to change without notice.
 Weights listed above do not account for accessories.*

POWERFILL MAX

Product Description

PowerFill MAX allows partial or complete bucket fills from previously inaccessible water sources as shallow as 18" (0.45 m), such as streams, ponds and low-profile dip tanks. It is available for Bambi MAX Bucket models BBX4453 – BBXHL9800.

PowerFill MAX is a two- or four-pump system mounted on the top plate of the Bambi MAX valve. When the bucket is immersed in water to the level of the top plate of the valve, the two electrically driven pumps can fill the bucket at 850 USG/min (54 L/s). Four pumps can fill the bucket at 1700 USG/min (106 L/s).

PowerFill MAX can be supplied as original equipment, or it can be added to an existing bucket.

Product Name

PowerFill MAX

Weights

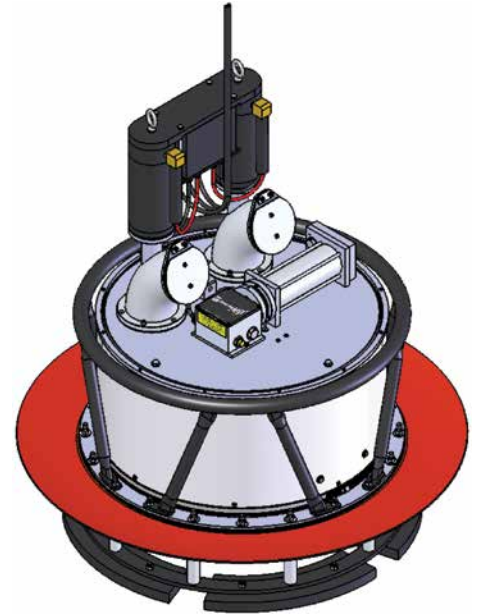
2-Pump, 100 lb (45 kg); 4-Pump, 180 lb (82 kg)

Key Benefits

- Increases operational efficiencies by utilizing shallow water sources
- Faster fill times than PowerFill Snorkel

Key Features

- Pumps fill bucket at 850 USG/min (54 L/s) – 1700 USG/min (108 L/s) in only 18" (0.45 m) of water
- Conventional dipping method may still be used with the PowerFill MAX pumps installed
- Requires 28 VDC, 90 A/180 A power supply



*2-Pump Electric
PowerFill MAX*

POWERFILL MAX

Bambi MAX Bucket with Internal PowerFill Specifications

MODEL	CAPACITY		EMPTY WEIGHT		GROSS WEIGHT		OVERALL LENGTH	
	USG	liters	lb	kg	lb	kg	ft	m
BBX4453PF	530	2 000	320	140	4 720	2 140	21'-9"	6.63
BBX5566PF	660	2 500	400	180	5 900	2 670	21'-11"	6.68
BBX6578PF	780	2 950	440	200	6 940	3 150	22'-2"	6.76
BBX7590PF	900	3 410	470	210	7 970	3 610	28'-5"	8.66
BBXHL4000PF	1 060	4 000	560	250	9 360	4 240	28'-3"	8.61
BBXHL5000PF	1 320	5 000	580	260	11 570	5 250	29'-9"	9.07
BBXHL7600PF	2 010	7 600	670	300	17 380	7 890	31'-2"	9.50
BBXHL9800PF	2 590	9 800	730	330	22 280	10 110	31'-11"	9.73

PowerFill Max

POWERFILL MAX		BAMBI MAX BUCKET
With Bucket	Kit Only	
		BBX1518
		BBX1821
		BBX2024
		BBX2226
		BBX2732
		BBX3542
007905	008722	BBX4453
007907	008722	BBX5566
007909	008724	BBX6578
007911	008725	BBX7590
007913	008726	BBXHL4000
007915	008726	BBXHL5000
007917	015747	BBXHL7600
007919	015747	BBXHL9800

*Please contact us for more information.
 Specifications are subject to change without notice.
 Weights listed above do not account for accessories.*

POWERFILL SNORKEL

Product Description

During fire season, many of the existing natural water sources such as rivers, creeks, stream beds or alpine meadows are too shallow to fully dip a bucket. The PowerFill Snorkel gives the ability to fill the bucket in shallow water sources including streams, ponds and low-profile dip tanks. It also provides additional functionality for load regulation and quicker dips.

PowerFill Snorkel provides hover-filling capability in 18" (0.45 m) of water at a maximum rate of 425 USG/min (27 L/s). With its camlock connectors, the PowerFill Snorkel can be installed or removed in the field by one person in a matter of minutes.

Product Name

Powerfill Snorkel

Weight

50 lb (21 kg)

Key Benefit

- Increases operational efficiencies by utilizing shallow water sources
- Camlock with quick-release connection



POWERFILL SNORKEL

Key Features

- Pump fills bucket at 425 USG/min (27 L/s) in as low as 18" (0.45 m) of water
- Conventional dipping method may still be used with the PowerFill Snorkel installed
- Installed or removed in the field by one person
- Requires 28 VDC, 45 A power supply

Compatibility

BAMBI BUCKET	SNORKEL		BAMBI MAX BUCKET
BB6072			
BB8096			
BB9011			
BB1012			
BB1214			
BB1518			BBX1518
BB1821	012830		BBX1821
BB2024			BBX2024
BB2226	012831		BBX2226
BB2732	012832		BBX2732
BB3542	012833		BBX3542
BB4453	012834		BBX4453
BB5566			BBX5566
BB6578			BBX6578
BB7590			BBX7590
BBHL4000			BBXHL4000
BBHL5000			BBXHL5000
BBHL7600			BBXHL7600
BBHL9800			BBXHL9800

*Please contact us for more information.
Specifications are subject to change without notice.*

BAMBI POWER PACK

Product Description

The Bambi Power Pack is a portable, rechargeable power supply used to operate the Bambi Bucket or Bambi MAX Bucket independently of the helicopter's power supply.

It consists of a battery pack, battery charger, bucket wiring harness, aircraft grounding harness, and remote dump switch.

Based on a three-minute operational cycle, the power supply operates the bucket for up to 10 hours of firefighting with a fully charged battery.

The charger plugs into a 110 VAC/60 Hz or 220 VAC/50 Hz power source, which fully recharges the battery pack in two hours.

Product Name

Power Pack

Weight

16 lb (7 kg)

Key Benefit

- Operate bucket independent of aircraft power

Key Features

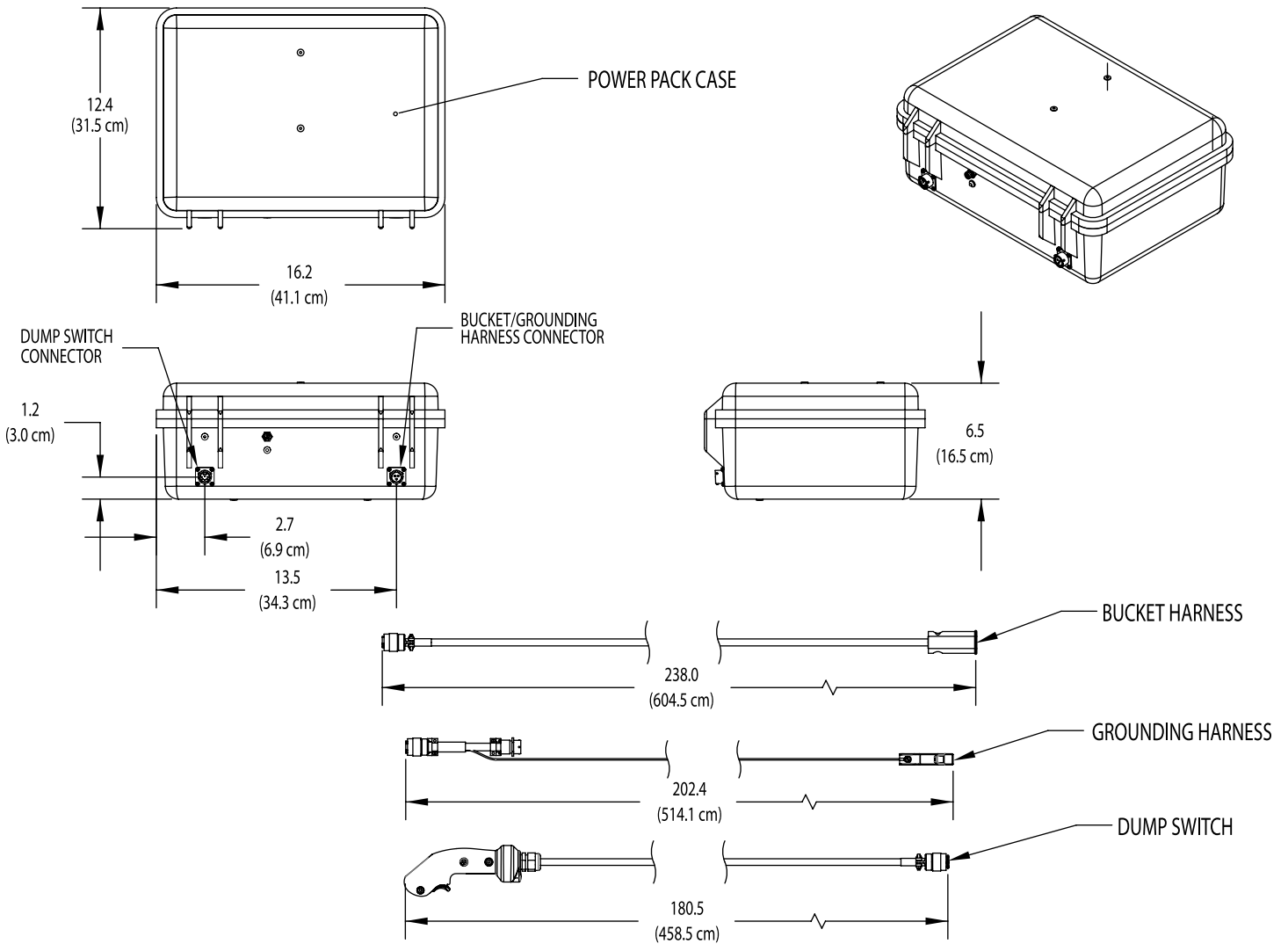
- Compact and portable
- Up to 10 hours of operation, and recharges in 2 hours
- Charger compatible with 110 VAC/60 Hz or 220 VAC/50 Hz power sources
- Grounding harness to prevent static charge buildup



POWER PACK

Compatible with all Standard Bambi Bucket (BB) and Bambi MAX Bucket (BBX) models.

All Dimensions in Inches/Centimeters



SACKSAFOAM BLADDER

Product Description

The Sacksafoam™ Bladder is a foam-injection system designed for dispensing aerial firefighting foam. It is specifically designed to work in conjunction with the Bambi Bucket.

With the included Sacksafoam Controller, dispensing foam from the bladder is easy and fully configurable for any bucket size.



Product Name

Sacksafoam Bladder

Weights

See chart next page

Key Benefit

- Adds foam capability to bucketing operation

Key Features

- No-foam concentrate in the aircraft
- Fast and easy installation
- Lightweight and collapsible
- DZUS Rail mount kit available for installation in the helicopter instrument panel



Sacksafoam Controller

SACKSAFOAM BLADDER

Compatibility

BAMBI BUCKET	SACKSAFOAM BLADDER PART #	BAMBI MAX BUCKET
BB6072		
BB8096	004338	
BB9011		
BB1012		
BB1214		
BB1518		BBX1518
BB1821		BBX1821
BB2024		004339
BB2226	BBX2226	
BB2732	BBX2732	
BB3542	BBX3542	
BB4453	BBX4453	
BB5566	004340	BBX5566
BB6578		BBX6578
BB7590		BBX7590
BBHL4000		BBXHL4000
BBHL5000		BBXHL5000
BBHL7600		BBXHL7600
BBHL9800		BBXHL9800

Weights & Capacities

PART #	CAPACITY			EMPTY WEIGHT		GROSS WEIGHT	
	IMP GAL	USG	Liters	lb	kg	lb	kg
004338	10	12	45	14	6	113	51
004339	25	30	114	17	8	268	122
004340	60	72	272	23	10	621	282

*Please contact us for more information.
 Specifications are subject to change without notice.
 Weights listed above do not account for accessories.*

SACKSAFOAM HELI-CASE

Product Description

The Sacksafoam™ Heli-Case is a foam-injection system designed for use with larger helicopters and additional flight personnel. Storage for a 5 USG pail allows the large, built-in reservoir to be refilled on-the-fly with the dip tube and transfer pump. It is designed to be paired with a Sacksafoam Plus for more capacity.

The Sacksafoam™ Heli-Case can also supply power to, and control, a Standard Bambi or Bambi MAX Bucket.

With the Sacksafoam Controller, dispensing foam from the Heli-Case is easy and fully configurable for any bucket size.



Product Name

Sacksafoam Heli-Case

Weight

See chart next page

Key Benefits

- Adds foam capability to bucketing operation
- Less time spent on the ground because the foam reservoir can be refilled on the fly
- Flight crew can operate the bucket and dispense foam allowing the pilot to focus on flying

Key Features

- Self-contained and designed to prevent foam from contacting the helicopter
- Transfer pump and dip tube allow the main reservoir to be refilled by 5 USG pails automatically
- Connections available to supply power to the bucket, and a hand control to operate the bucket and Heli-Case

Accessories

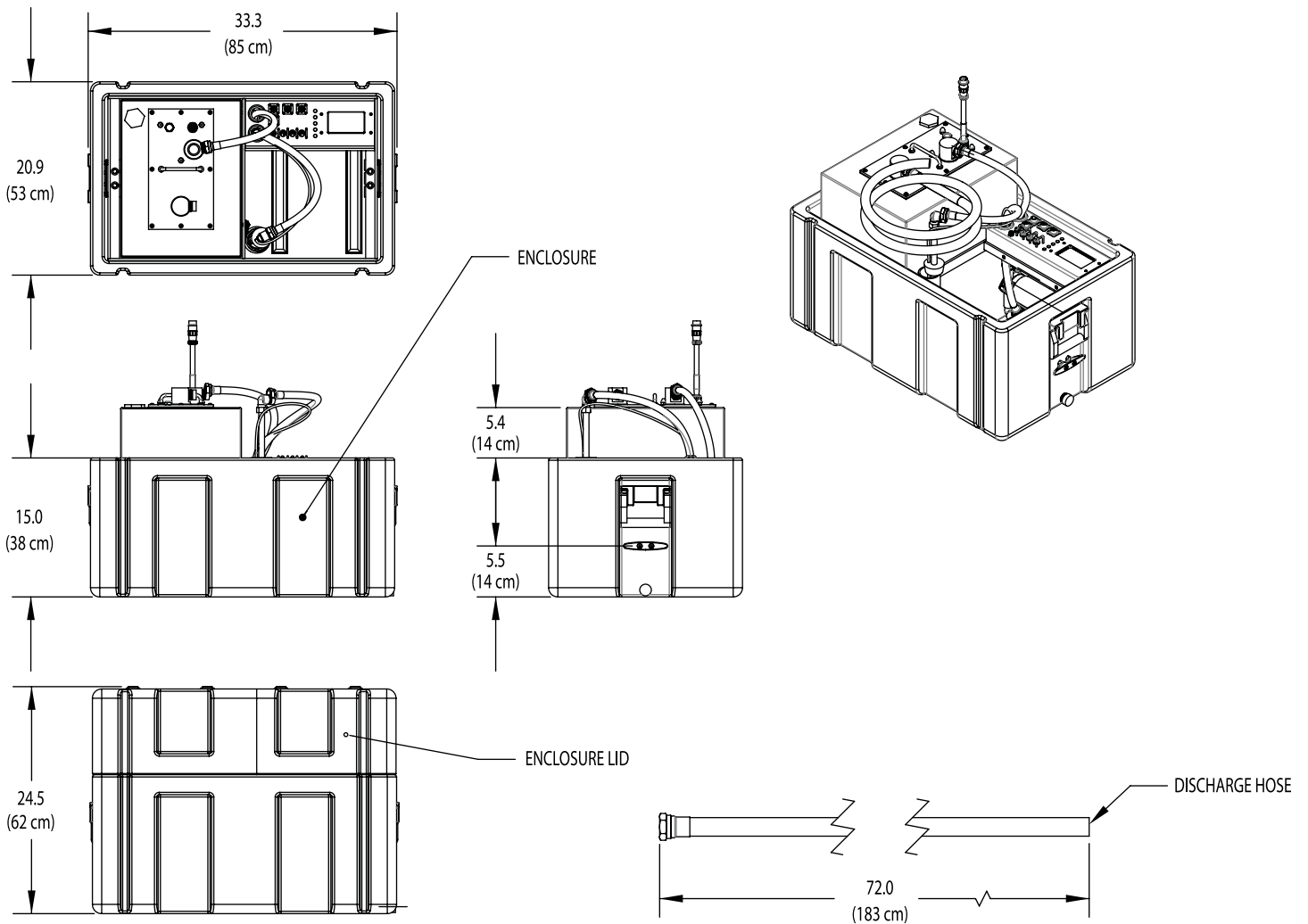
- Sacksafoam Plus

SACKSAFOAM HELI-CASE

Weights & Capacities

PART #	CAPACITY			EMPTY WEIGHT		GROSS WEIGHT	
	IMP GAL	USG	Liters	lb	kg	lb	kg
012743	21	25	95	76	34	285	129

All Dimensions in Inches/Centimeters



Please contact us for more information.
 Specifications are subject to change without notice.
 Weights listed above do not account for accessories.

SACKSAFOAM PLUS

The Sacksafoam Plus is a fully enclosed reserve tank for the Sacksafoam Heli-Case injection system allowing for more foam concentrate storage.

Specifically designed for helicopters equipped with large Bambi Buckets (models BB5566 to BBHL9800), the Sacksafoam Plus helps maximize firefighting capabilities by synchronizing refueling and foam refill cycles.

Product Name

Sacksafoam Plus

Weight

See chart next page

Key Benefits

- Maximizes firefighting capabilities by synchronizing refueling and foam refill cycles

Key Features

- Tank holds 37 USG (140 L) of foam concentrate
- Self-contained and designed to prevent foam from contacting the helicopter
- Robust construction, low maintenance



SACKSAFOAM PLUS

Weights & Capacities

PART #	CAPACITY			EMPTY WEIGHT		GROSS WEIGHT	
	IMP GAL	USG	Liters	lb	kg	lb	kg
004350	31	37	140	67	30	375	170

*Please contact us for more information.
Specifications are subject to change without notice.
Weights listed above do not account for accessories.*

BAMBI BUCKET LONGLINE

When a Bambi Bucket, or Bambi MAX Bucket, is suspended from a short line that cannot reach the water due to tall trees or high terrain—your bucket will require a fire-resistant longline.

Product Name

Bambi Bucket Longline

Weight

- Varies with length

Key Benefit

- Bucket access to water blocked by trees or terrain

Key Features

- Fire-resistant longline for bucketing applications
- Special jacket protects the longline and allows for the insertion of electrical wires that are required for bucket-activating mechanisms



MOBILITY SLED™

The mobility sled is convenient for allowing one person to load and unload even the largest Bambi Buckets.

The four-wheeled mobility sled comes equipped with 16" foam filled, all-terrain tires, tow bar and a braking system.

It can be quickly dismantled for shipping. Roll, winch and go.

A three-wheeled version is also available.



Product Name

Mobility Sled

Weight

200 lb (91 kg)

Key Benefit

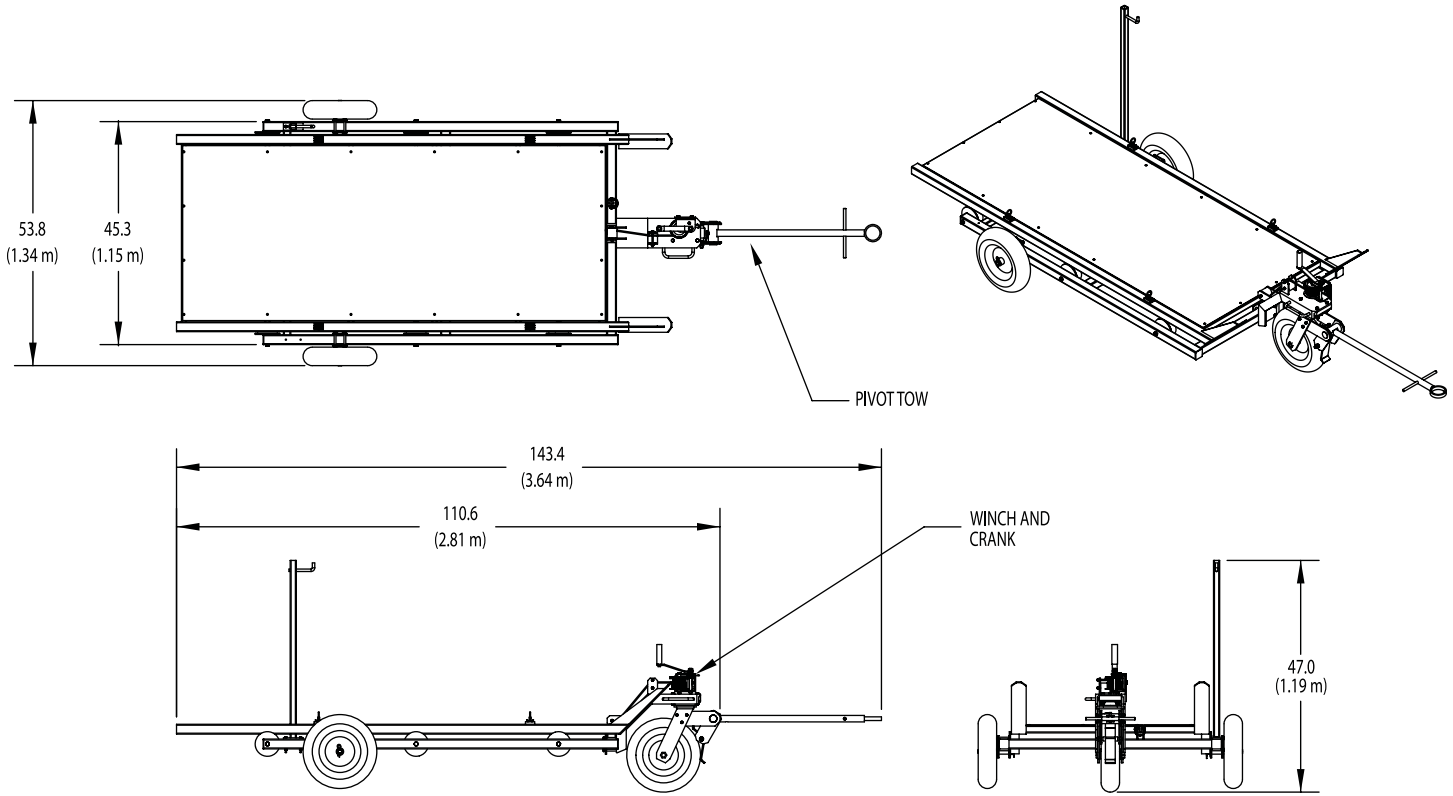
- One person can load and transport a bucket

Key Features

- 4 x16" foam-filled, all-terrain tires
- Lockable front wheels
- Compatible with CH-47 cargo bay ramp

MOBILITY SLED™

All Dimensions in Inches/Meters



*Please contact us for more information.
Specifications are subject to change without notice.*

FIRESOCK

Product Description

Attached to the bottom of a Bambi Bucket, the Firesock makes the bucket a more effective tool by providing improved coverage and suppression capabilities.

As water passes through the Firesock's mesh fabric, the Firesock breaks down water droplets, thereby increasing the exposed surface area making it ideal for combating certain types of blazes such as grass and brush fires.

When used with a Sacksafoam injection system, the Firesock increases the aeration of the foam and reduces foam concentrate usage by up to 50%.

Product Name

Firesock

Weights

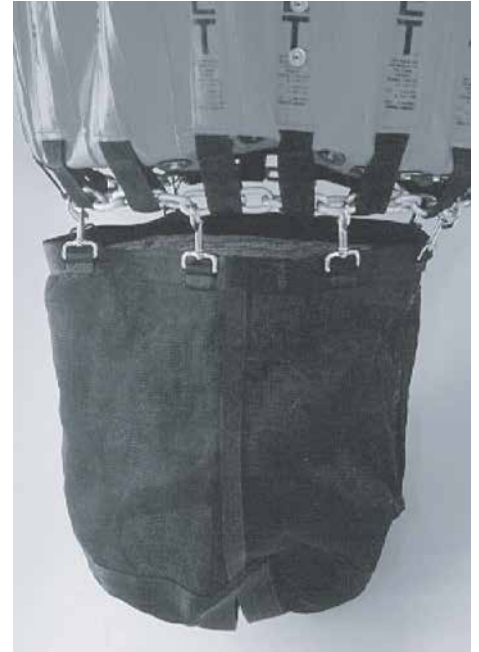
See chart next page

Key Benefits

- Increases foam aeration
- Reduces the amount of foam concentrate used
- Provides 100% longer drop pattern

Key Features

- Attaches to the bottom chain of the bucket



FIRESOCK

Firesock Specifications

BAMBI BUCKET	Firesock		Bambi Max Bucket
BB6072			
BB8096			
BB9011	005729		
BB1012			
BB1214			
BB1518			BBX1518
BB1821			BBX1821
BB2024			005730
BB2226	BBX2226		
BB2732	BBX2732		
BB3542	BBX3542		
BB4453	BBX4453		
BB5566	005731		BBX5566
BB6578			BBX6578
BB7590			BBX7590
BBHL4000			BBXHL4000
BBHL5000			BBXHL5000
BBHL7600			BBXHL7600
BBHL9800			BBXHL9800

*Please contact us for more information.
Specifications are subject to change without notice.*

SPECIFICATIONS & COMPATIBILITY

	CAPACITY			EMPTY WEIGHT		GROSS WEIGHT		OVERALL LENGTH*		PowerFill Max	PowerFill Snorkel	Power Pack	Sacks/foam Bladder	Mobility Sled	Firesock
	USG	liters	lbs	kg	lbs	kg	ft	m							
BAMBI BUCKET															
BB6072	72	270	70	32	670	300	12'-11"	3.94		•					
BB8096	96	360	73	33	870	400	14'-6"	4.42		•					
BB9011	108	410	74	34	970	440	14'-6"	4.42		•	•				•
BB1012	120	450	74	33	1 070	490	14'-6"	4.42		•	•				•
BB1214	144	550	75	34	1 280	580	14'-10"	4.52		•	•				•
BB1518	180	680	79	36	1 580	720	15'-2"	4.62		•	•				•
BB1821	216	820	88	40	1 890	860	15'-11"	4.85		•	•	•			•
BB2024	240	910	130	59	2 130	970	20'-1"	6.13		•	•	•			•
BB2226	260	1 000	128	58	2 330	1 060	15'-10"	4.82		•	•	•			•
BB2732	320	1 230	137	62	2 840	1 290	23'-0"	7.00		•	•	•			•
BB3542	420	1 590	145	66	3 650	1 650	23'-8"	7.22		•	•	•			•
BB4453	530	2 000	180	80	4 580	2 080	23'-9"	7.25		•	•	•			•
BB5566	660	2 500	260	120	5 760	2 610	24'-0"	7.32		•	•	•	•		•
BB680K	680	2 570	270	120	5 930	2 690	24'-0"	7.32		•	•	•	•		•
BB6578	780	2 950	310	140	6 810	3 090	24'-2"	7.37		•	•	•	•		•
BB7590	900	3 410	340	150	7 840	3 550	30'-3"	9.21		•	•	•	•		•
BBHL4000	1 060	4 000	360	160	9 160	4 150	31'-8"	9.65		•	•	•	•		•
BBHL5000	1 320	5 000	390	180	11 390	5 170	32'-0"	9.75		•	•	•	•		•
BBHL7600	2 010	7 600	470	210	17 190	7 800	32'-5"	9.87		•	•	•	•		•
BBHL9800	2 590	9 800	530	240	22 090	10 020	33'-6"	10.21		•	•	•	•		•
BAMBI MAX															
BBX1518	180	680	95	43	1 600	720	13'-3"	4.05		•	•	•			•
BBX1821	216	820	105	48	1 900	860	13'-6"	4.10		•	•	•			•
BBX2024	240	910	140	63	2 140	970	17'-8"	5.39		•	•	•			•
BBX2226	260	1 000	138	63	2 340	1 060	13'-6"	4.11		•	•	•			•
BBX2732	320	1 230	148	67	2 850	1 290	20'-7"	6.27		•	•	•			•
BBX3542	420	1 590	155	70	3 660	1 660	21'-3"	6.48		•	•	•			•
BBX4453	530	2 000	230	100	4 630	2 100	21'-3"	6.48	•	•	•	•			•
BBX5566	660	2 500	300	140	5 800	2 630	21'-5"	6.53	•	•	•	•			•
BBX6578	780	2 950	340	150	6 840	3 100	21'-8"	6.60	•	•	•	•			•
BBX7590	900	3 410	370	170	7 870	3 570	27'-11"	8.51	•	•	•	•			•
BBXHL4000	1 060	4 000	380	170	9 180	4 160	28'-11"	8.81	•	•	•	•			•
BBXHL5000	1 320	5 000	400	180	11 400	5 170	29'-3"	8.92	•	•	•	•			•
BBXHL7600	2 010	7 600	490	220	17 210	7 800	30'-4"	9.24	•	•	•	•			•
BBXHL9800	2 590	9 800	550	250	22 110	10 030	31'-5"	9.58	•	•	•	•			•

November 2019

Please contact SEI Industries for more information.
 Specifications are subject to change without notice. Weights listed above do not account for accessories.

For pricing and any other questions, contact us below, or visit
www.sei-ind.com/contact-us/aerial-customer-form and fill out the form.

THE LEGENDARY BAMBI BUCKET

SEI Industries Ltd. introduced the original Bambi Bucket® to the firefighting community in 1982. This strong, but light-weight, flexible firefighting bucket, was the first fully collapsible aerial-firefighting bucket.



INDUSTRY STANDARD

Today, more than 35 years later, SEI services 95% of the world's aerial firefighting water bucket market.



Bambi Bucket Inventor Don Arney, during the early years of fabric-strength testing.



DRIVEN BY INNOVATION



Bambi
BUCKET®



SEI Industries Ltd.

7400 Wilson Avenue, Delta, British Columbia, Canada, V4G 1H3

Toll Free: 1 866 570 FIRE (3473), Canadian Tel: 1 604 946 3131, E-mail: sales@sei-ind.com

BambiBucket.com

