



**TIMBERLINE**  
**TOOL®**

**FIRETOOLS**  
FIRE • HOSE • CLAMPS

**800-735-6845**

## FFV2 FIRE HOSE CLAMP

**FOR 2" - 3" FIRE HOSE**



**Clamp canvas and  
synthetic hose under  
pressure!**

**Rated to  
300 psi**



*Innovative Tool Technology*



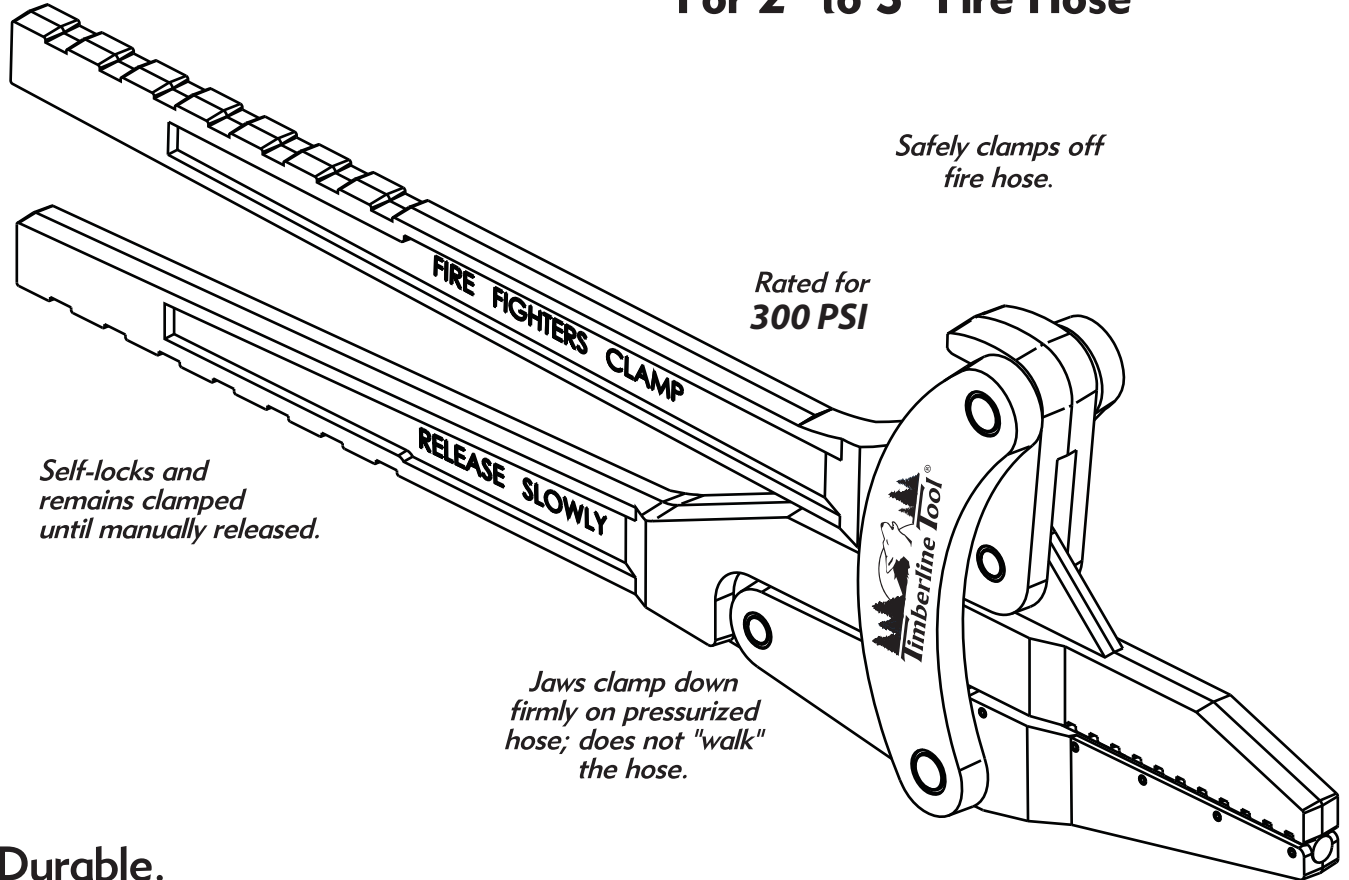
www.timberlinetool.com

800-735-6845

**Safe, Quick, Effective  
Shut-Off of Water Flow**

## **FFV2 Fire Hose Clamp**

**For 2" to 3" Fire Hose**



*Safely clamps off  
fire hose.*

*Rated for  
300 PSI*

*Self-locks and  
remains clamped  
until manually released.*

*Jaws clamp down  
firmly on pressurized  
hose; does not "walk"  
the hose.*

*Insert in lower jaw  
prevents hose  
damage.*

### **Durable.**

Cast of high strength, corrosion resistant aluminum alloy

### **Portable.**

Light and compact enough to carry on a belt or web gear.

### **Effective.**

Clamps off the flow of water in one quick step without damaging the hose

### **Convenient.**

Useful when adding, removing or replacing hose sections, changing nozzles, etc.

#### **Size:**

Width: 8.0 in (20.3 cm)

Length: 22.0 in (55.9 cm)

Weight: 5.0 lb (2.3 kg)

#### **FFV2 Model:**

for double jacket fire hose from 2" to 3" in diameter. Rated for 300 psi.

For U.S. Government purchasers: Defense Logistics Agency (DLA) National Stocking Number (NSN) 4210 0141 51022