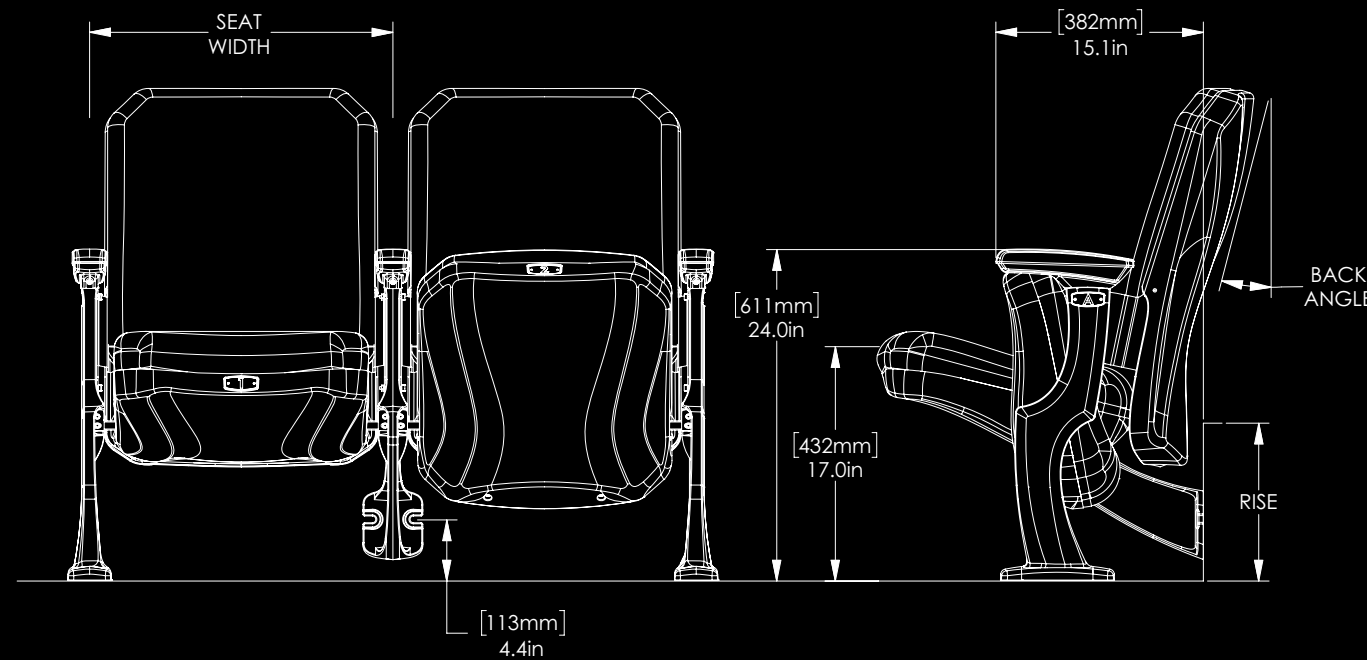


## ODYSSEY Dimensions



- Floor mount and riser mount options available
  - Sloped floors up to 10°
  - Riser mount requires minimum 7.5" (191mm) rise
- Available in seat widths of 19" - 24" (483mm-610mm)
- Multiple backrest configurations
  - High back (36") and a low back (33")
  - Back angle options : 12°, 15°, 18°, and 21°

**Upgrade** your facility with the next generation of spectator seating



5981 East Cork  
Kalamazoo, MI 49048  
[interkal.com](http://interkal.com)

Phone: 269.349.1521  
Fax: 269.349.6530  
Email: [sales@interkal.com](mailto:sales@interkal.com)

©Interkal, Kalamazoo, MI Printed in U.S.A.

**ODYSSEY** Chair  
 Interkal

The ODYSSEY is a luxurious and ergonomic chair perfect for auditoriums, arenas, and theaters. The chair offers outstanding comfort, support, and durability. Available with a variety of options and accessories.



LED, dimmable, aisle lights can be mounted to end panel or directly to end stanchion.

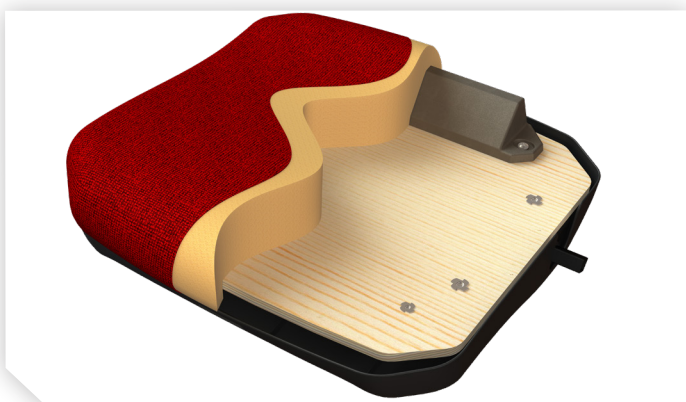


Number and row plates are available in variety of finishes and can be mechanically fastened or adhesive backed.



### ODYSSEY features include

- Style and comfort    ▪ Ergonomic design    ▪ Strength and durability
- 1 Contoured Foam for Superior Comfort**
    - 2" thick molded foam on the back
    - 3" thick molded foam on the pan
  - 2 Upholstery**
    - 100% Polyolefin fabric is nearly impervious to damage
    - Multiple standard fabric options
    - Custom fabrics available on request
  - 3 Die Cast Aluminum Stanchions**
    - Powder coated finish in black or gray
    - Floor mounted (including sloped floors)
    - Riser mount
  - 4 Back and Pan Covers**
    - Injection-molded plastic available in black or gray
  - 5 Contoured Armrests**
    - Injection-molded plastic in black or gray
    - Stained hardwood in a variety of colors
    - Vinyl laminate in variety of colors/patterns
  - 6 End Panels (optional)**
    - Stained veneer
    - Vinyl laminate in variety of colors/patterns



The ODYSSEY chair's gravity fold self-rising mechanism guarantees quiet, maintenance free operation. The pan rises to a 3/4 fold position and can be pushed to a full-fold position by a patron to achieve greater egress.



The ODYSSEY chair utilizes the proven design of the stanchion-to-stanchion cross shaft for incredible strength. The shaft is securely attached to both stanchions to ensure proper installation and safe operation.