

ODYSSEY

options & accessories

INTERKAL

SPECTATOR SEATING WORLD WIDE

With more than 100 years of experience, the Kotobuki Group is the global leader for seating solutions with manufacturing in the United States, Japan, France, the United Kingdom, Malaysia, and Vietnam. Interkal is an industry manufacturer of fixed and retractable seating products.

INTERKAL.COM/ODYSSEY-CHAIR



5981 East Cork
Kalamazoo, MI 49048
interkal.com

Phone: 269.349.1521
Fax: 269.349.6530
Email: sales@interkal.com

©Interkal, Kalamazoo, MI Printed in U.S.A. 072423





The **ODYSSEY** is a luxurious and ergonomic chair perfect for auditoriums, arenas, and theaters.

It was designed for outstanding comfort, support, and durability with unparalleled style. With multiple configurations, options, and accessories the **ODYSSEY** chair is the ideal choice for your facility.

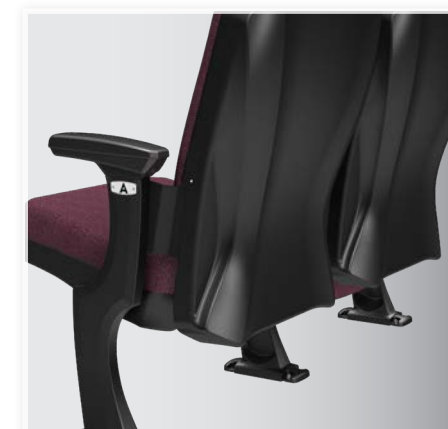
✓ Style ✓ Strength ✓ Flexibility ✓ Comfort ✓ Durability ✓ Customization



Upgrade your facility with the next generation of spectator seating

The ODYSSEY chair was developed to make a dramatic impression in your facility. Interkal is happy to provide a wide selection of options and accessories to ensure your vision is brought to life.

STANDARD OPTIONS	4
END PANEL OPTIONS	6
FINISH OPTIONS	7
OPTIONAL UPGRADES	8
FEATURES	9
SPECIFICATIONS	10



Please consult your local Interkal dealer for custom applications, specifications, and product samples.

SURFACE COLORS

The surface color of stanchions, back and pan covers and armrests are available in black or grey.

Fabrics are available in a variety of colors and patterns. See the *Sherpa & Shire* brochure for a complete list of options.



ARMRESTS

The ODYSSEY comes standard with injection-molded contoured armrests. Armrests can be upgraded to stained hardwood or 3D laminate.



Injection-Molded



Hardwood



3D Laminate



FOOT COVERS

Foot covers conceal anchor bolts to help complete the look of the chair.

*Only available with floor mount options

END PANELS

The ODYSSEY comes standard with exposed die cast aluminum stanchions. Stained hardwood veneer and 3D laminate end panels can also be added for a more finished look.



Die Cast Stanchion



Hardwood Veneer



3D Laminate

CONTEMPORARY

The Contemporary end panel has gently tapered lines, giving your auditorium seating a sleek but subtle finish.

FLOOR MOUNT



RISER MOUNT



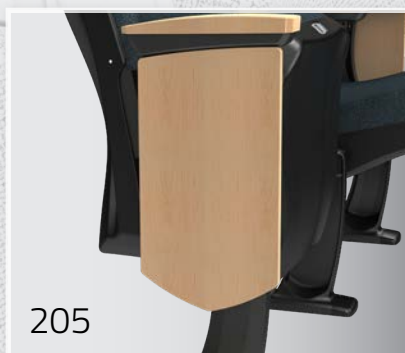
TRADITIONAL

Straight lines give the Traditional end panel a classic look with universal appeal, perfect for a variety of applications.



SHIELD

Stoic and formal, the Shield end panel provides a finished look to your auditorium seating.



WAVE

A bold choice that commands attention, the Wave end panel provides a cutting edge to your auditorium seating.



HARDWOOD

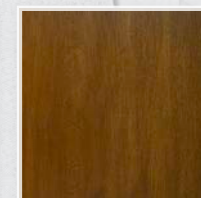
MAPLE



Natural



Honey



Rustic Brown



Merkwod

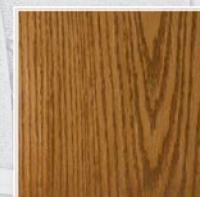


Coal

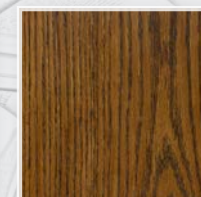
OAK



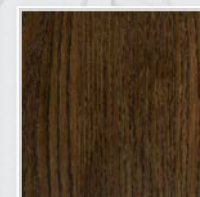
Natural



Honey



Rustic Brown



Merkwod



Coal

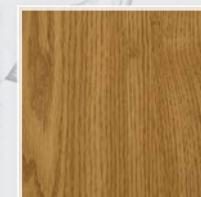
WOODGRAIN



Summer Breeze



Milltown Oak



Sherwood Oak



Milk Chocolate

SANGALLO



Joy



Escape



Dusk



Summit



Mimosa



Midnight

Wood accents are available in either hardwood (armrests) or 3D laminate (armrests/end panels). By default, the armrests and end panels will match for a uniformed appearance. To ensure color accuracy, please contact your local Interkal dealer for standard wood chip samples, custom wood species and/or stain options.

*Printed versions of colors and woodgrain can vary from production materials. Please refer to sample chips for accuracy.

PLATE FINISHES

Number and row plates are available in a variety of finishes and can be mechanically fastened.



Brushed Aluminum



Gold Anodized



Brass



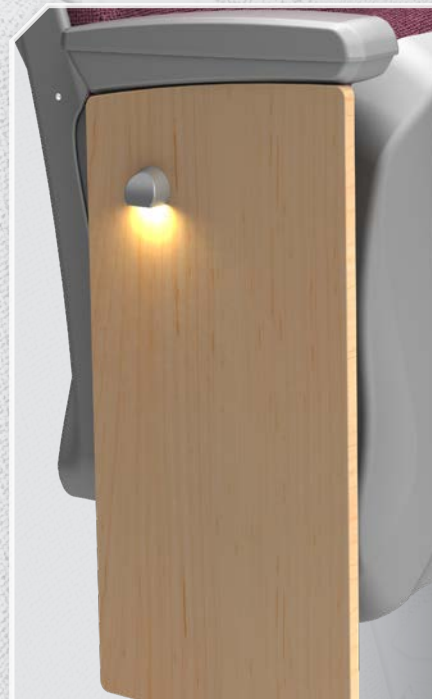
Stainless Steel



Photo-Luminous

LED AISLE LIGHTS

Aisle lights can be mounted to an end panel or directly onto the stanchion. Placement of aisle lights can range from high to low.



High Back (36")



Low Back (33")

BACK HEIGHTS

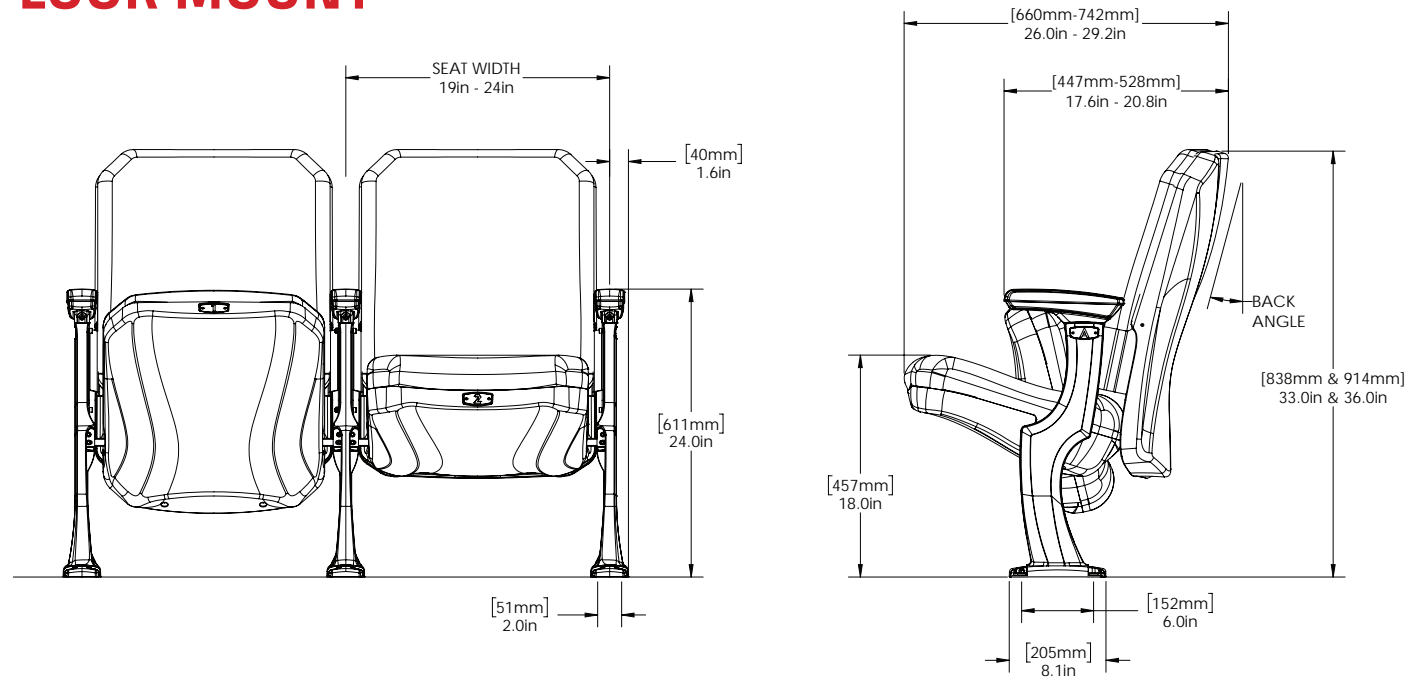
High back and low back height options are available to maximize sight lines and spectator comfort.



"We were up against a really tight timeline. Interkal stepped up to the plate and brought everything in on-time."

- Barry Davis
Hewitt-Trussville Stadium

FLOOR MOUNT

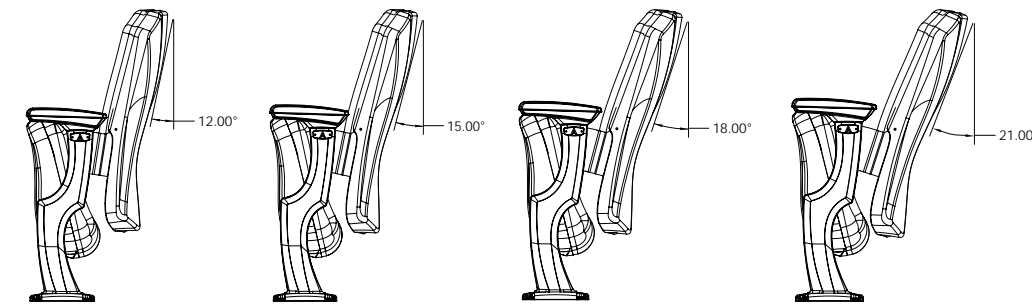
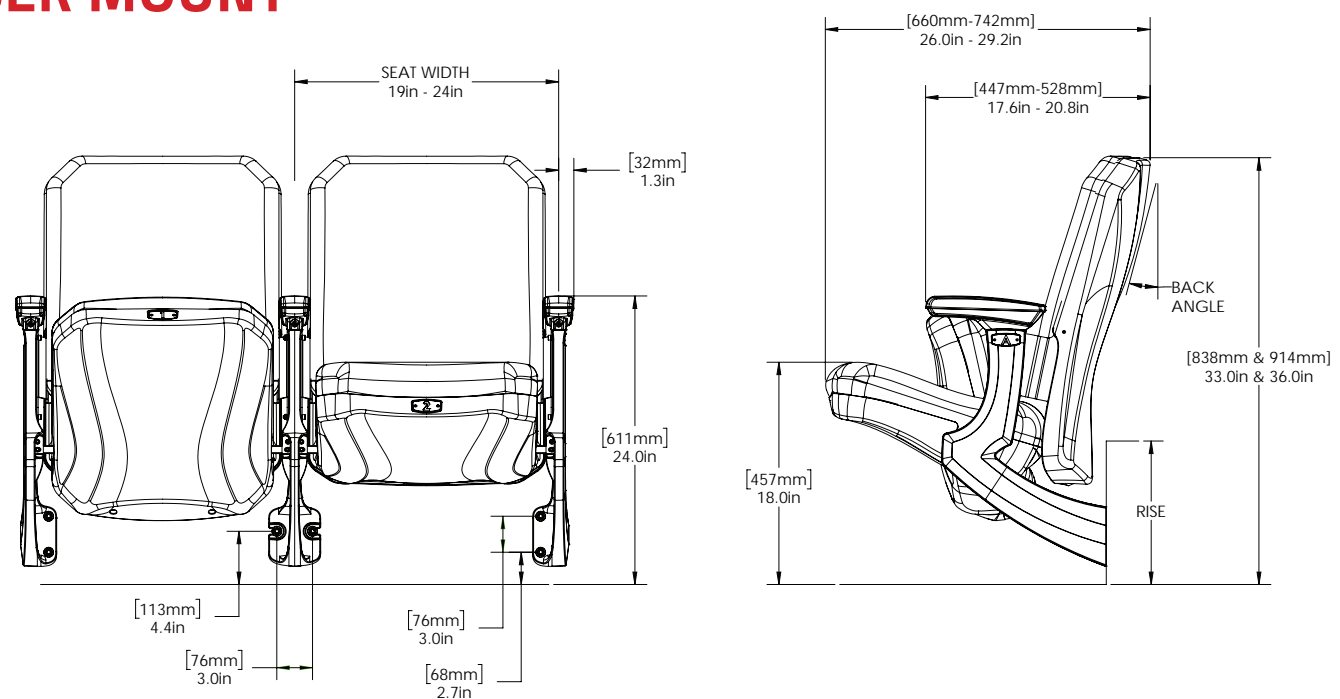


WIDTHS

Chairs are available in six standard widths:

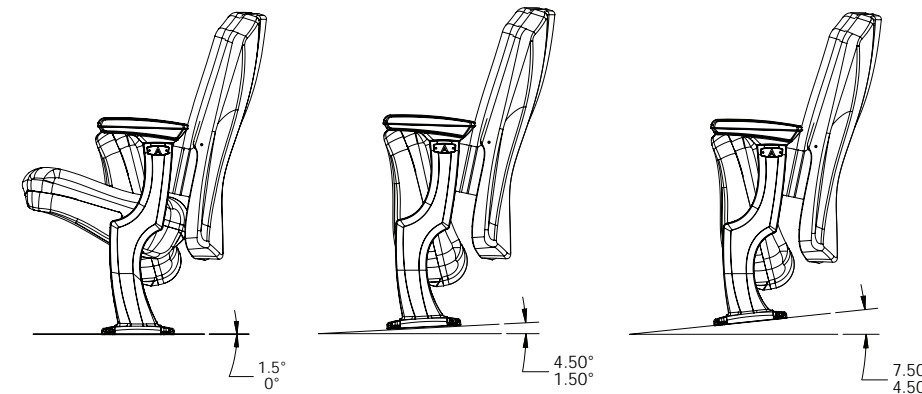
- 19" (483mm)
- 20" (508mm)
- 21" (533mm)
- 22" (559mm)
- 23" (584mm)
- 24" (601mm)

RISER MOUNT



BACK ANGLES

Multiple backrest angle options can be used to provide spectators with a great view and maximum comfort no matter their seat location.



SLOPES

Seating on sloped floors requires proper mounts. Stanchions are available for sloped floors up to 10°; riser mounts are also available.