

STOCK DOORS ONLY

Aluminum Bi-Fold Door

Installation Guide

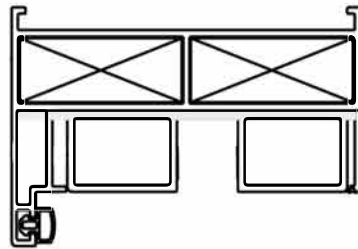
Before You Get Started:

Once you open the packages, identify the top and bottom frames before starting installation.

Side View

Top of Frame

Inside



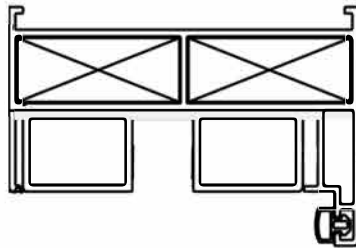
Outside

If your door configuration is outswing, the top frame is bigger on the inside compared to the outside.

Side View

Top View of Frame

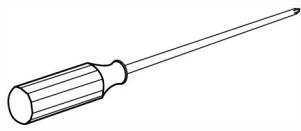
Interior View



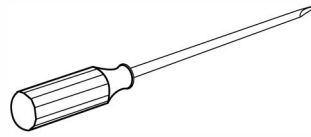
Exterior View

Required Tools:

Here are the recommended tools and materials which are not included, but are necessary to install your Bi-Fold Panels.



Phillips Screwdriver



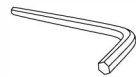
Flathead Screwdriver



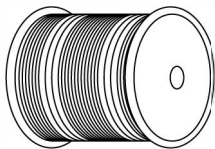
Screw



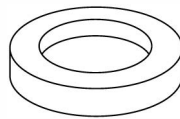
6' Spirit Level or Laser Level



Allen Key



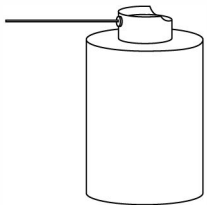
Cross Strings



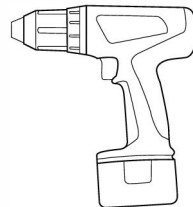
Blue Painters Tape



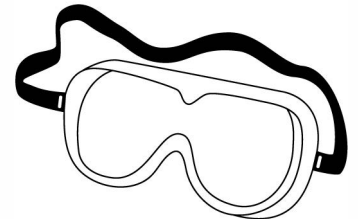
Flashing



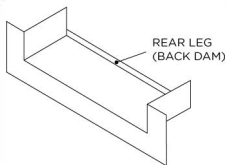
Foam Filler



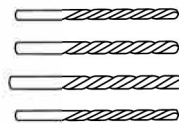
Drill/SDS Hammer Drill



Safety Goggles/Glasses



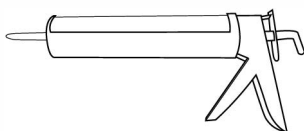
Sill Pan



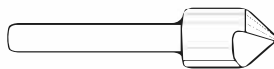
Drill Bit Index Set



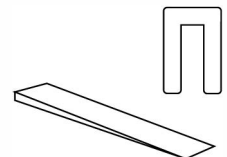
SDS Drill Bit



Sealant



Counter Sink



Wood & Plastic Shim

NOTE: Ensure all sealants and materials used are compatible.

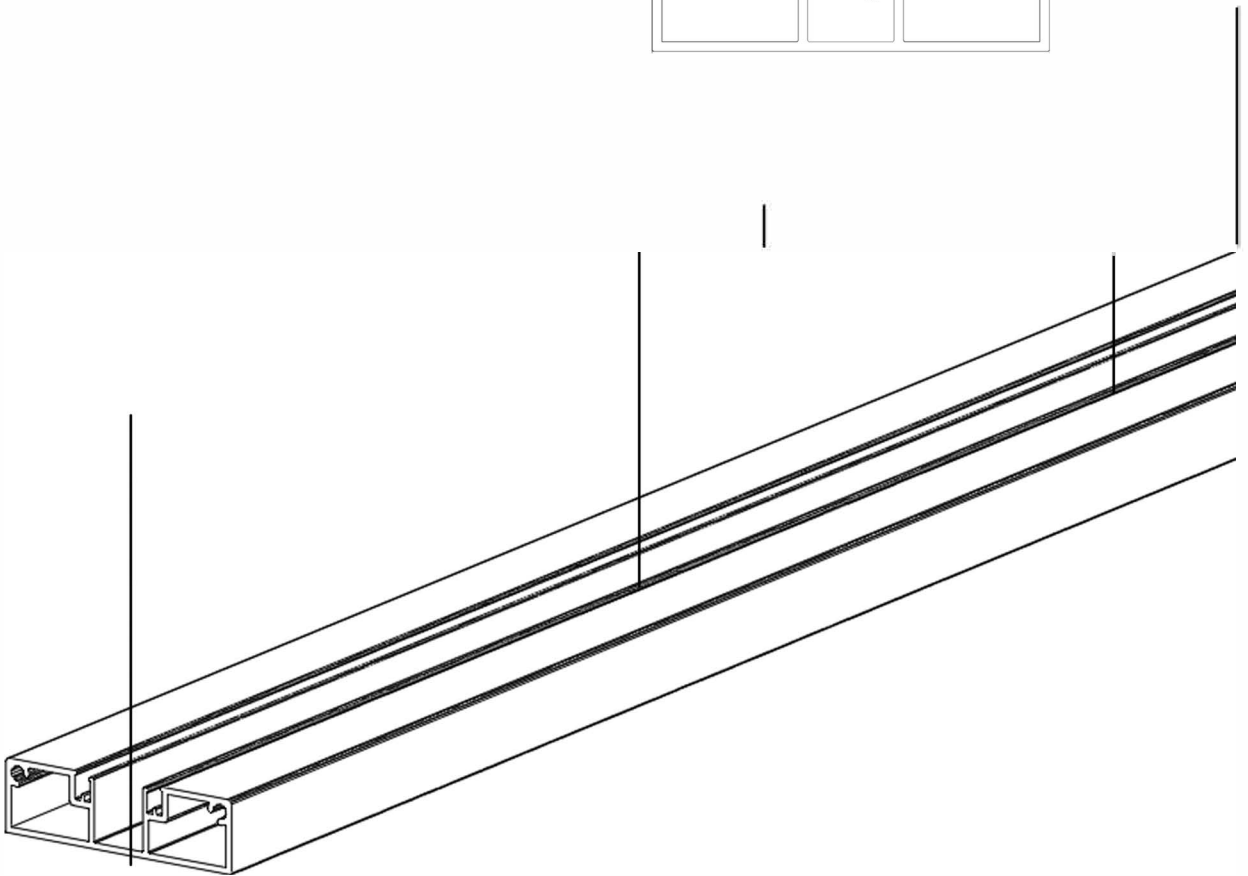
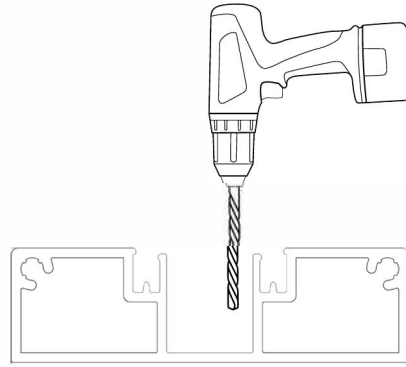
Step 1

Pre-Drilling Frames:

1. Bottom Frame

Using a drill bit, pre-drill installation holes on the bottom track locking channel.

One screw to be placed every 30" (inches) on center.



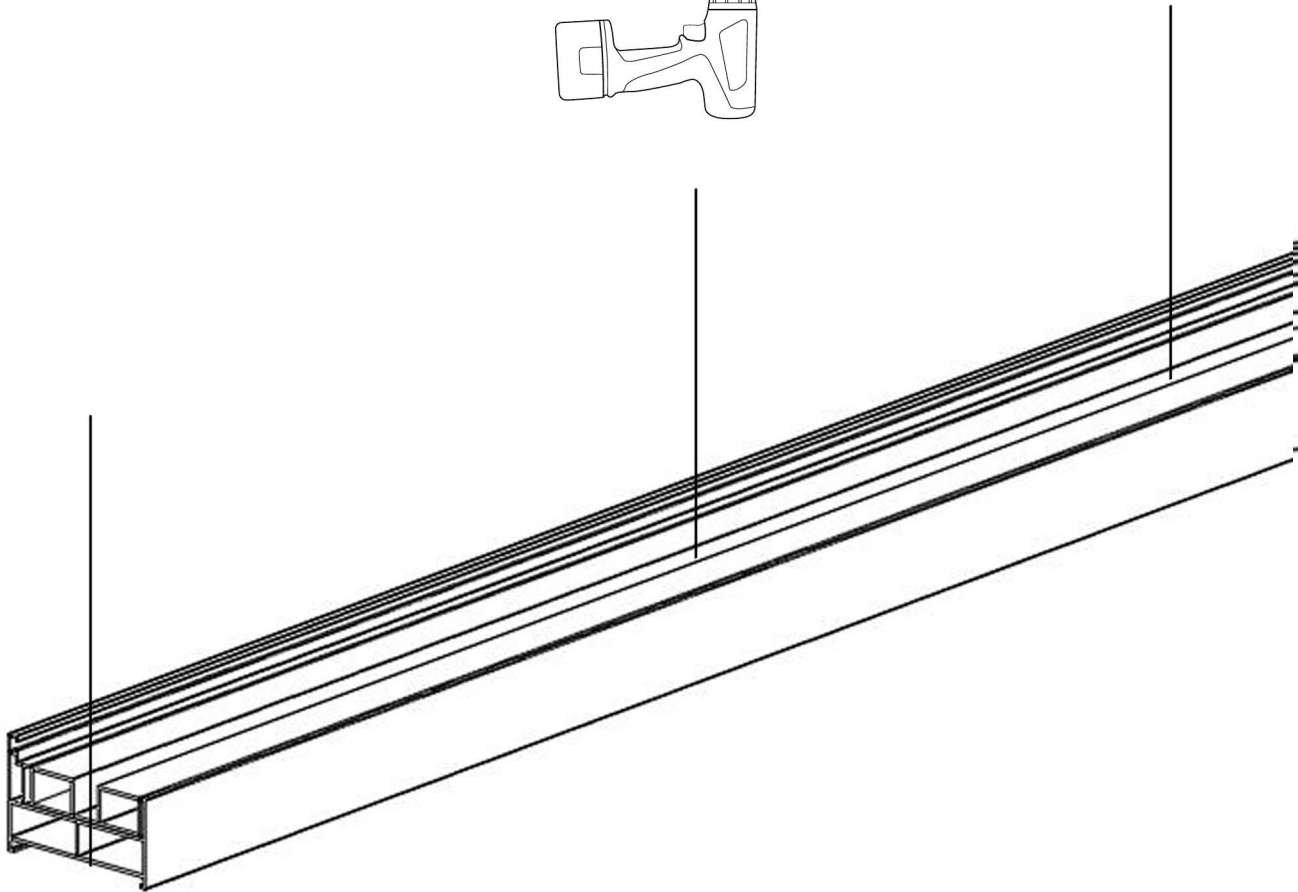
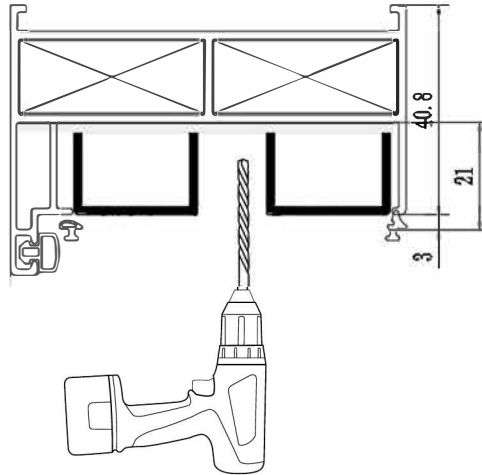
Step 1 Repeat

Pre-Drilling Frames:

2. Top Frame

Using a drill bit, pre-drill installation holes on the top track locking channel.

One screw to be placed every 30" on center.

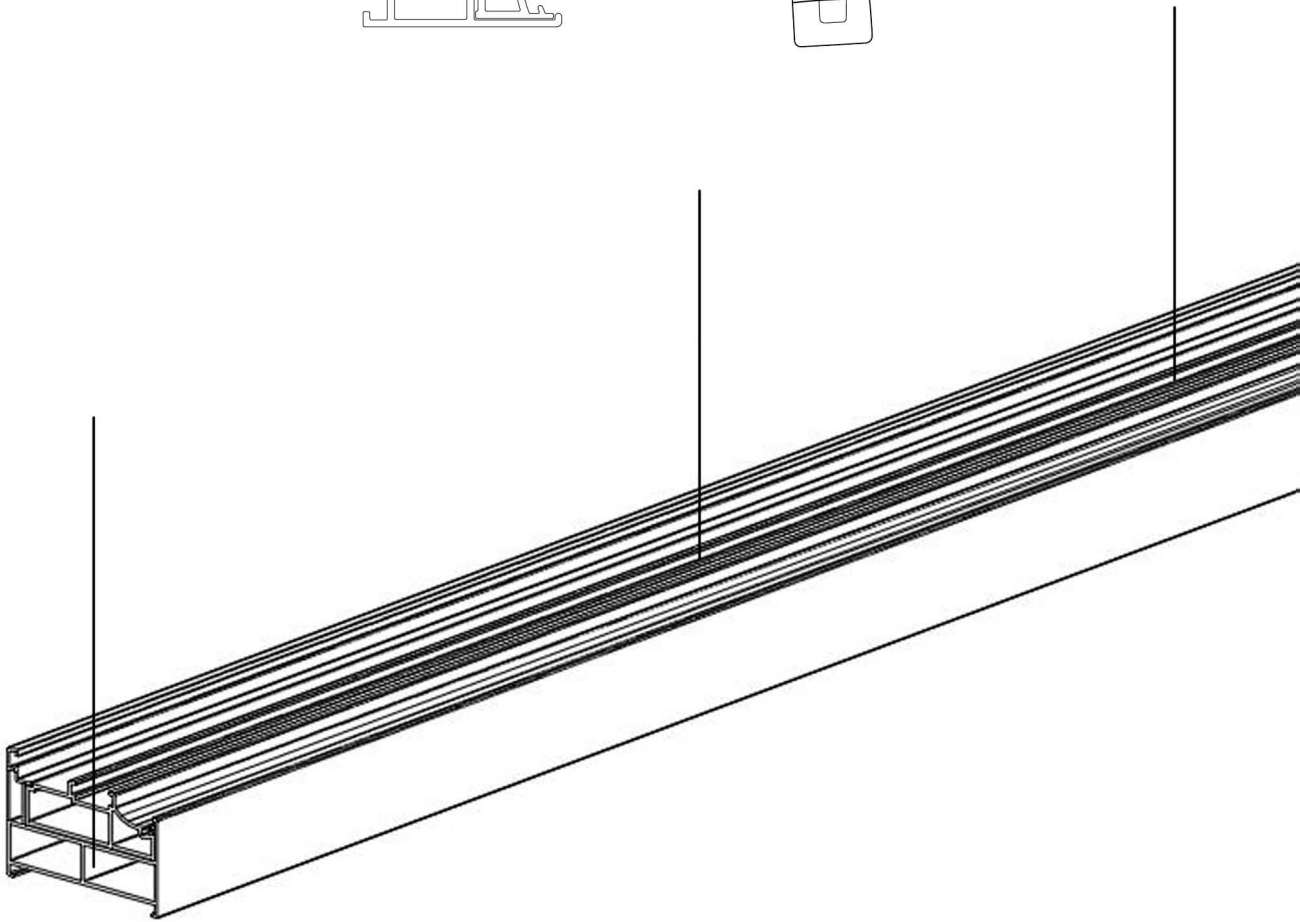
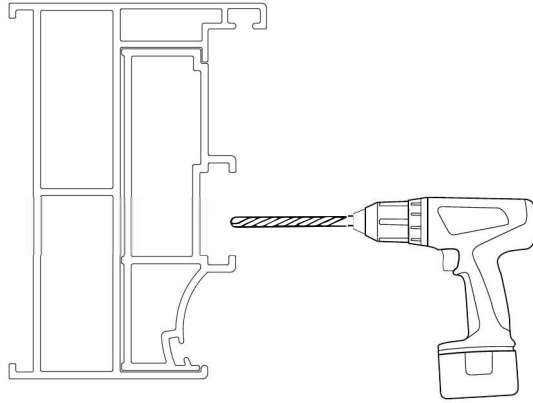


Step 1 Repeat

Pre-Drilling Side Frames:

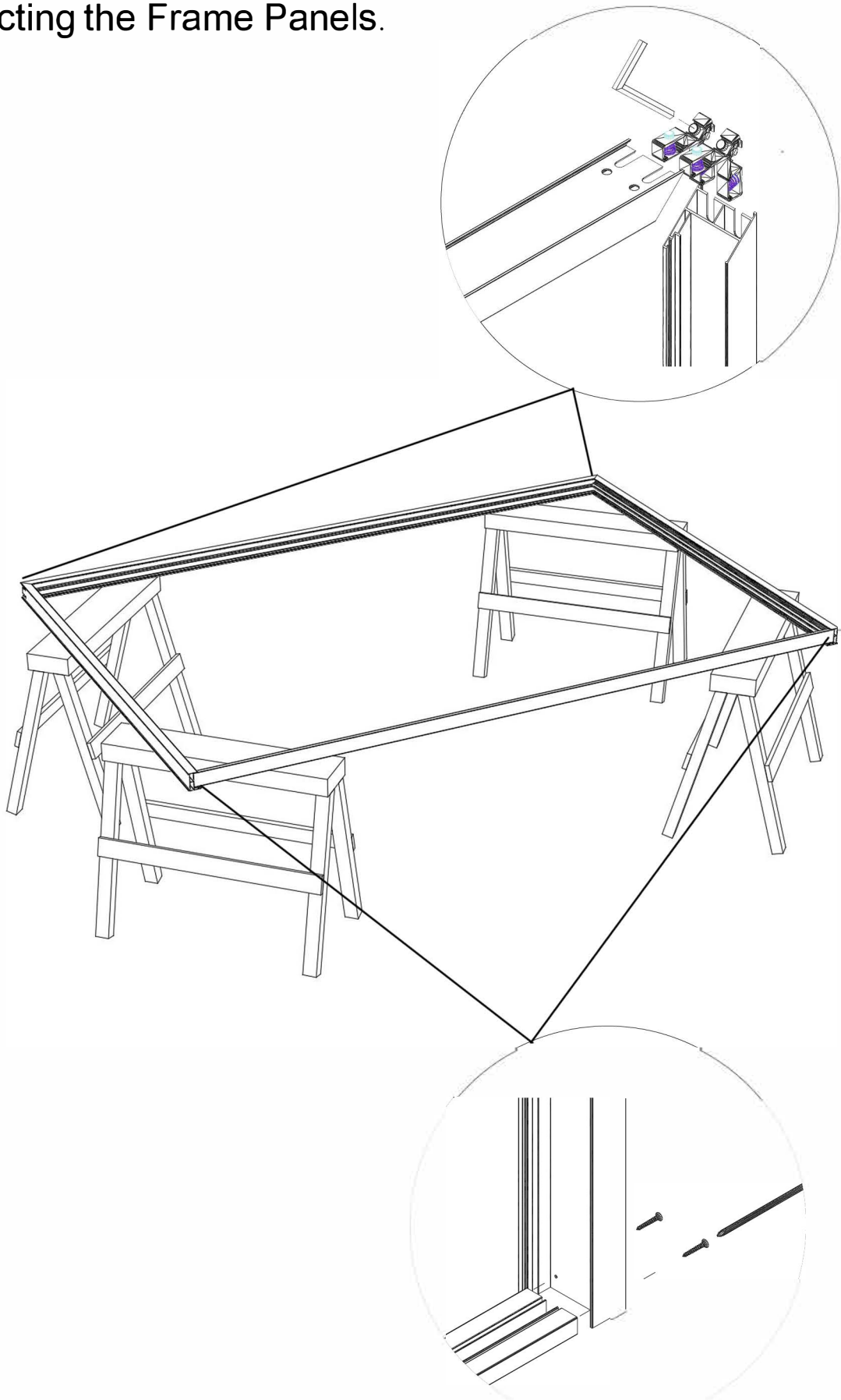
3. Side Frames

Using drill bit, pre-drill install holes in side track locking channel. One screw to be placed every 30" on center.



Step 2

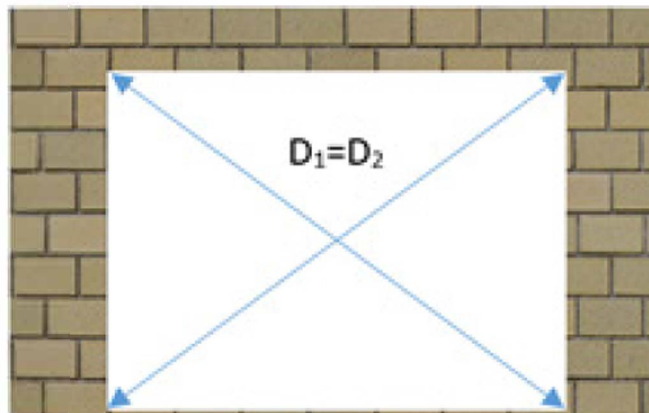
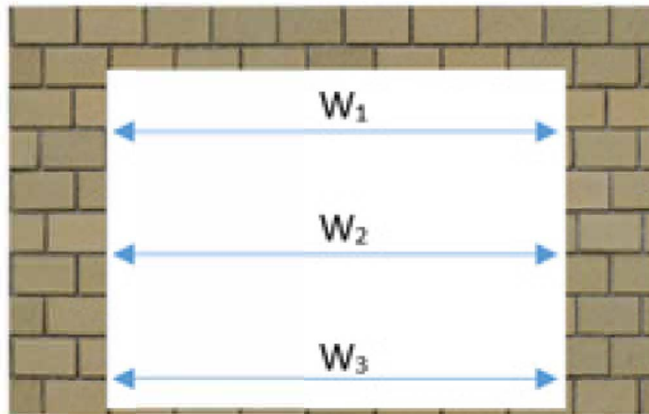
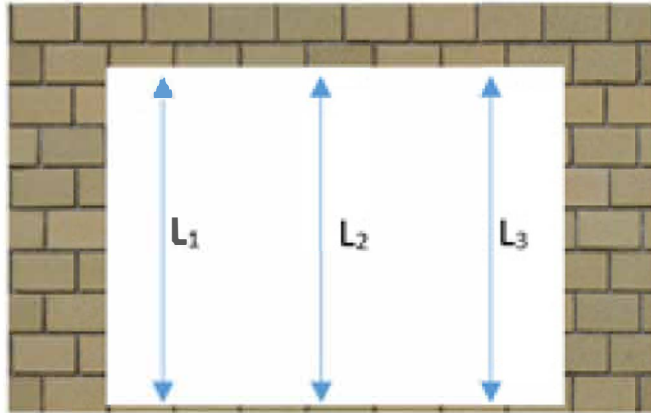
Connecting the Frame Panels.



Step 3

Measurement:

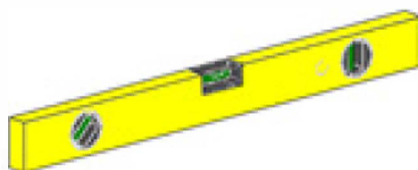
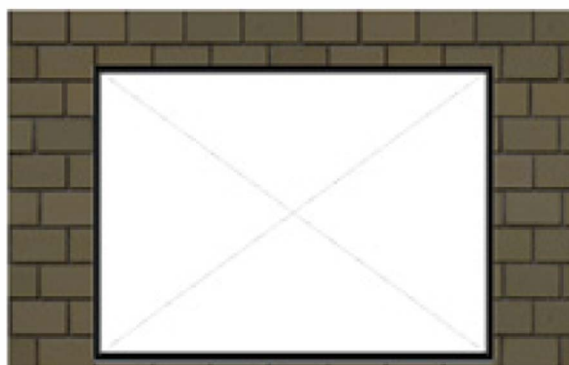
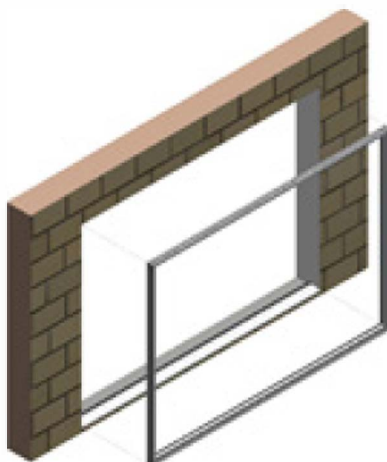
Measure the Height, Width and Depth.



Step 4

Setting the Frame:

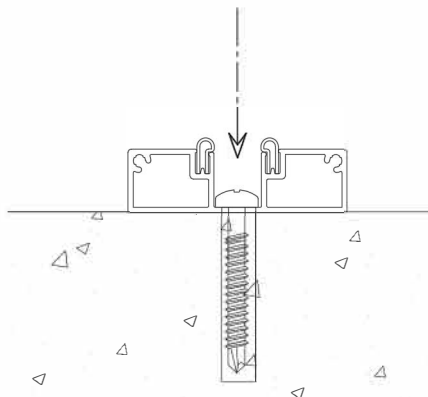
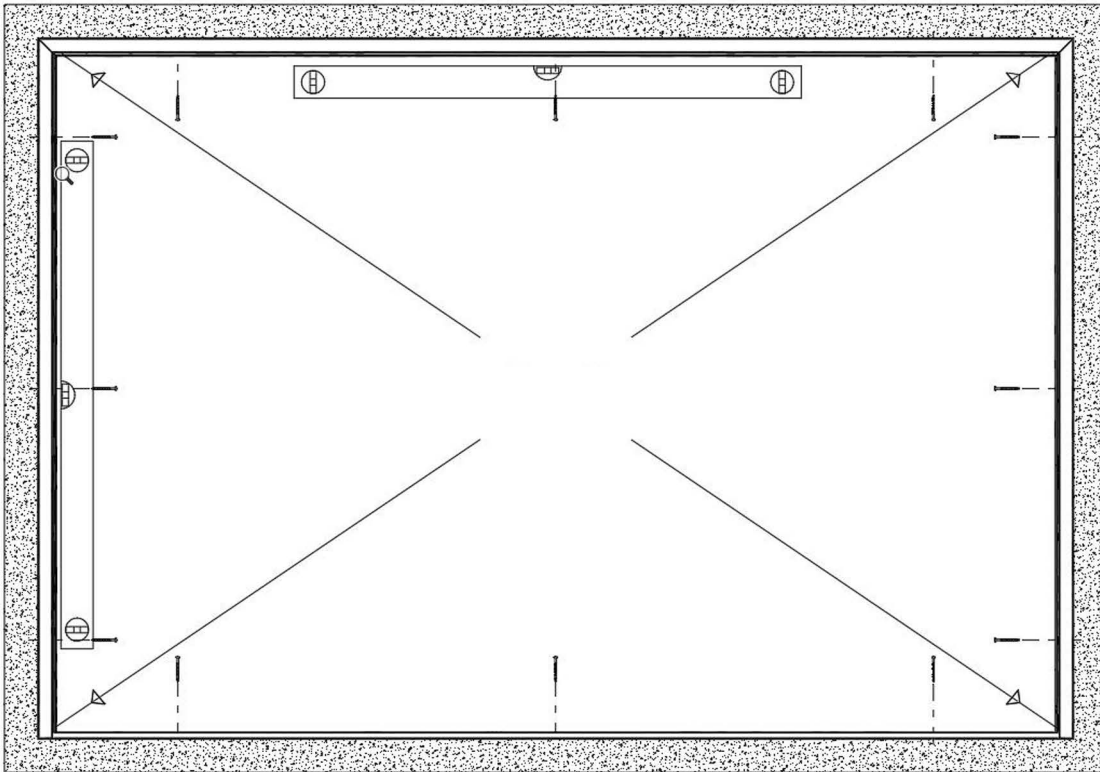
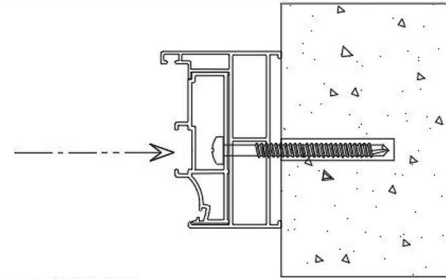
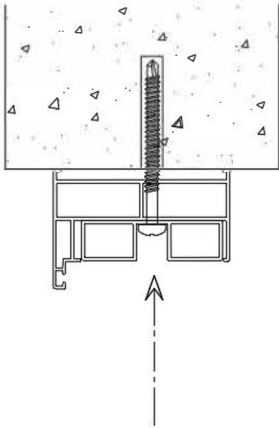
Set the Aluminum frame into the opening, make sure the frame is leveled as this step is very important for the installation process.



Step 5

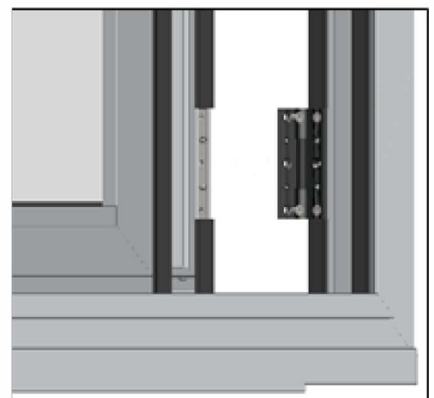
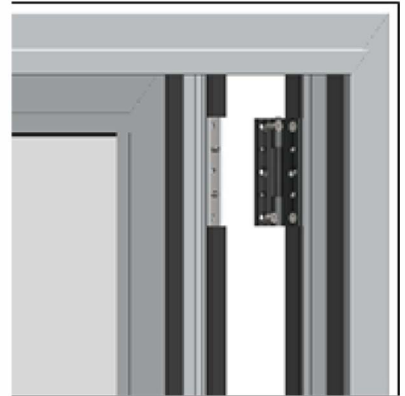
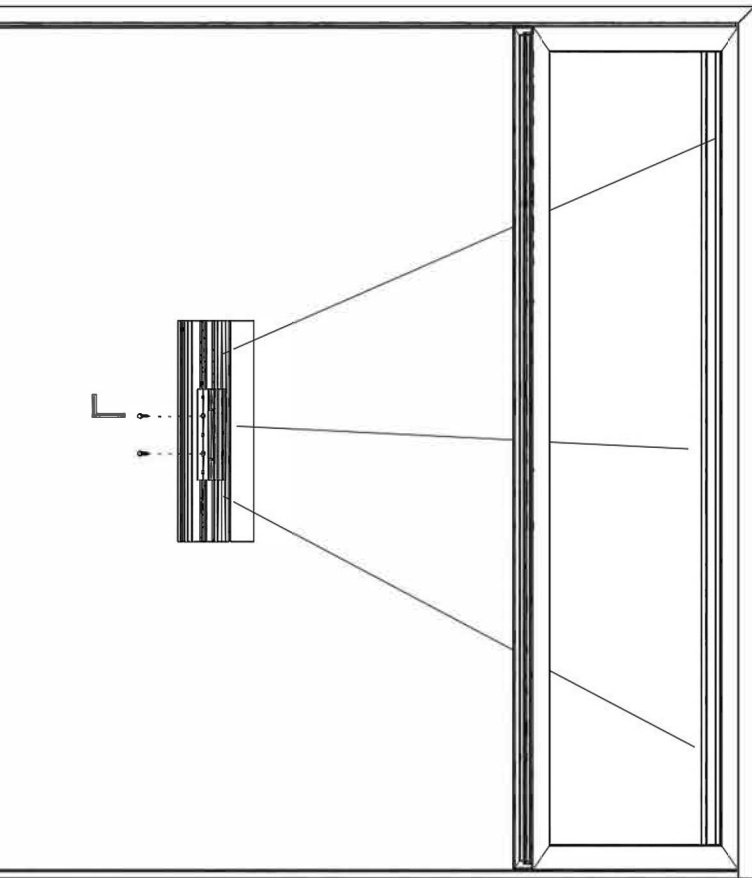
Installing the frame.

Screw the frame into the opening.



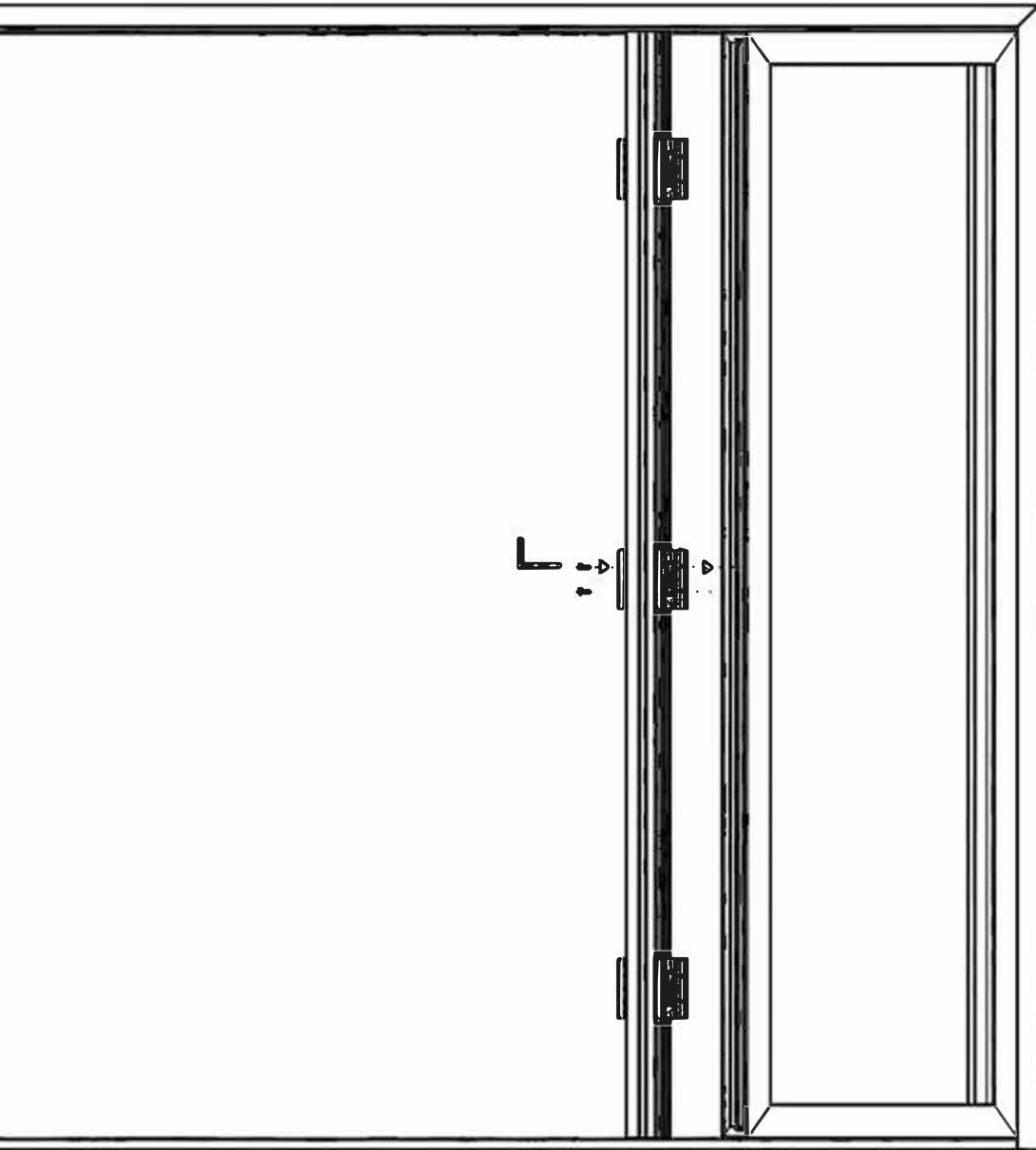
Step 6

Installing the Panels.



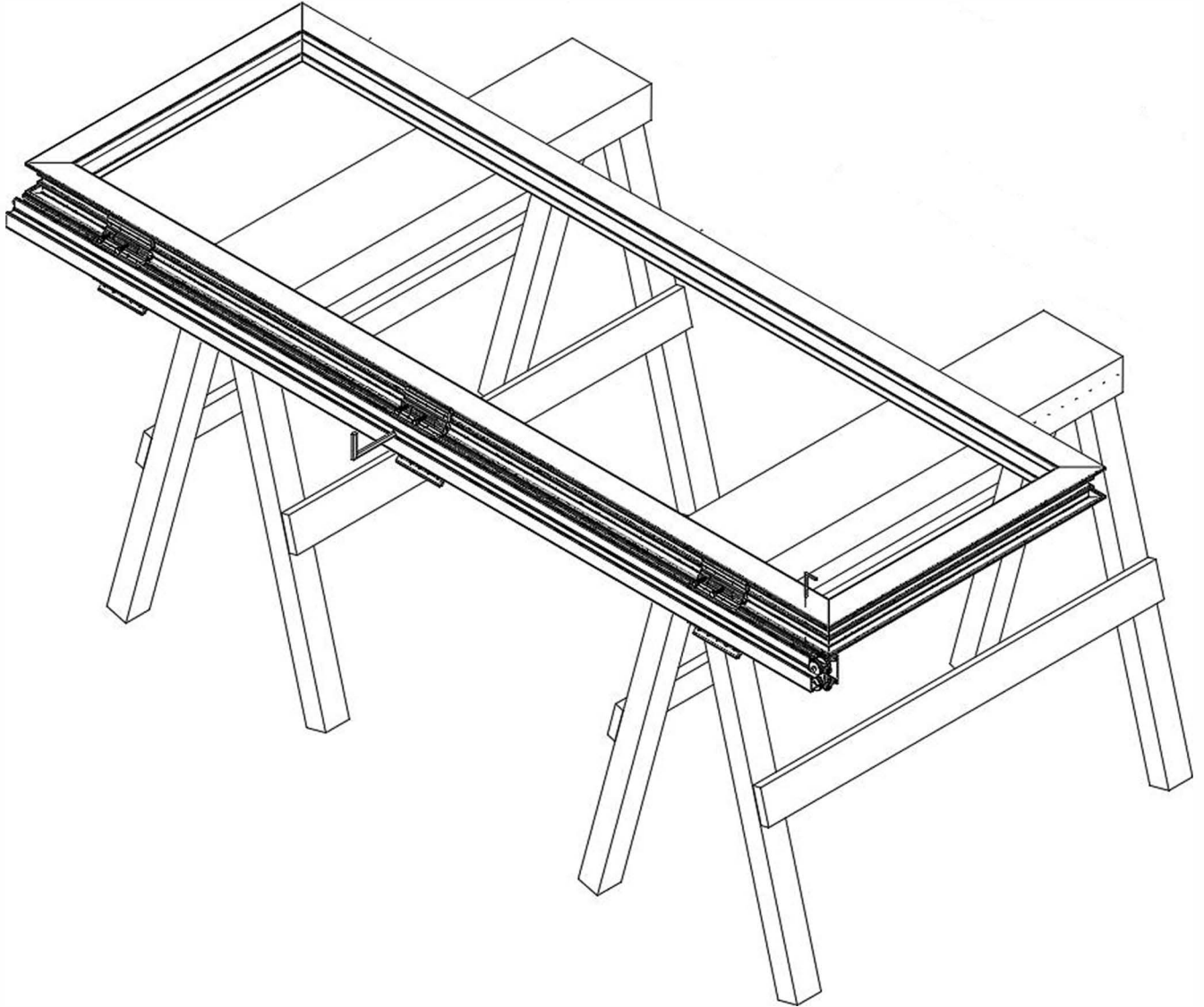
Step 7

Install the connecting panels:



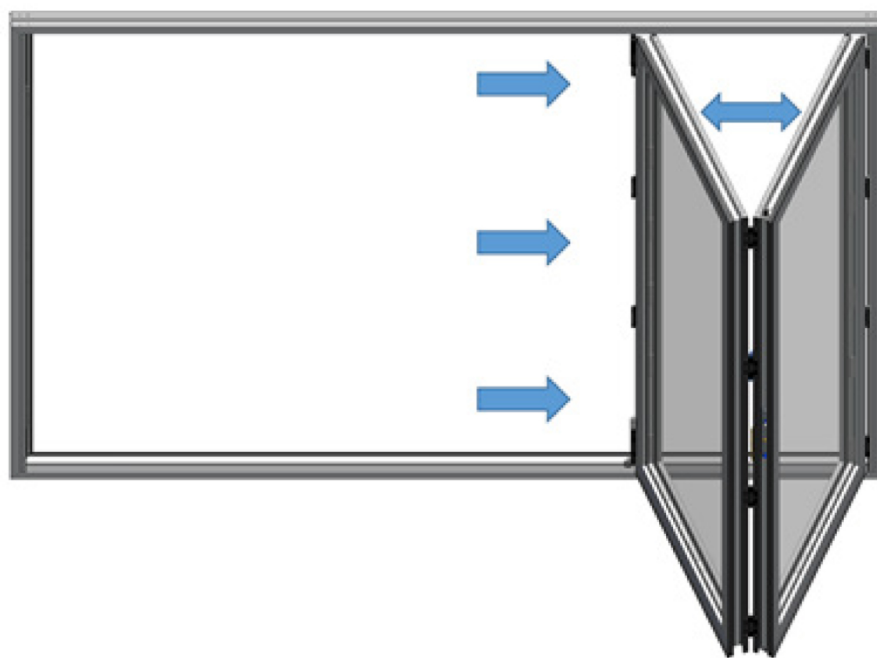
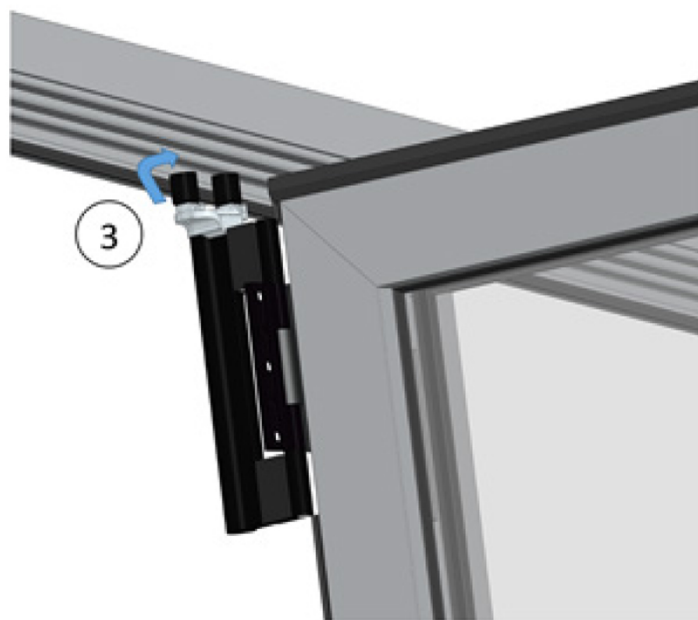
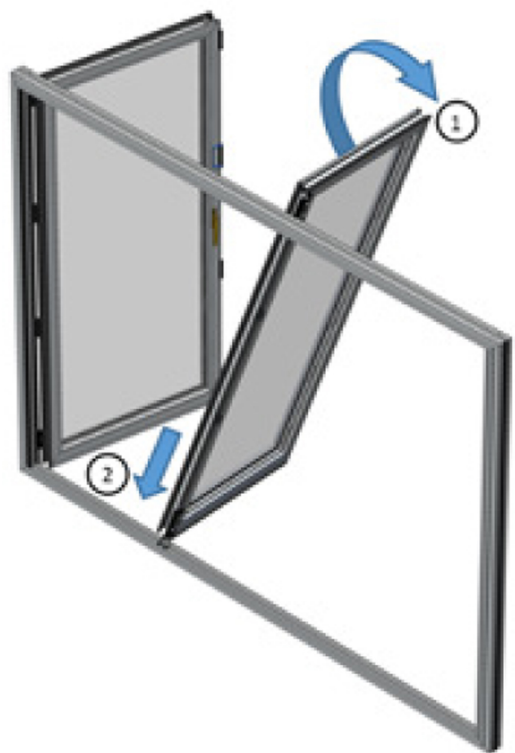
Step 8

Connect the panels together one by one in order. Panels are numbered for easy installation.



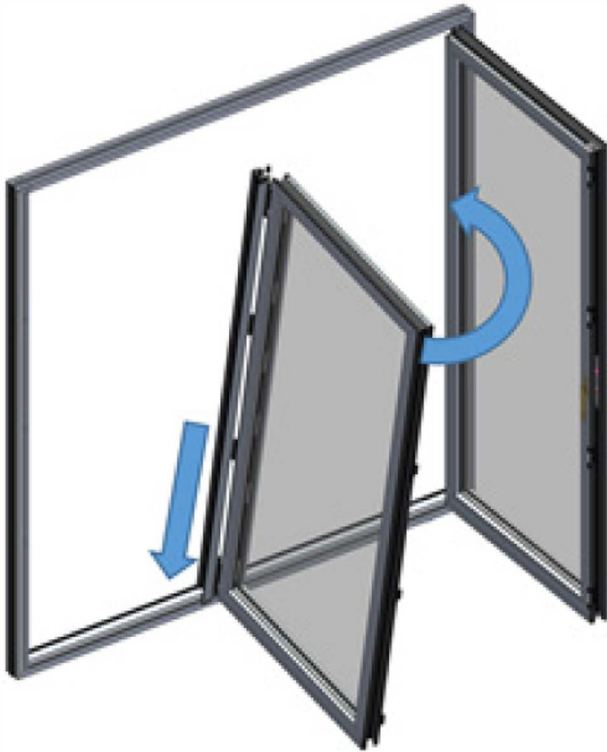
Step 9

Install the second Panel



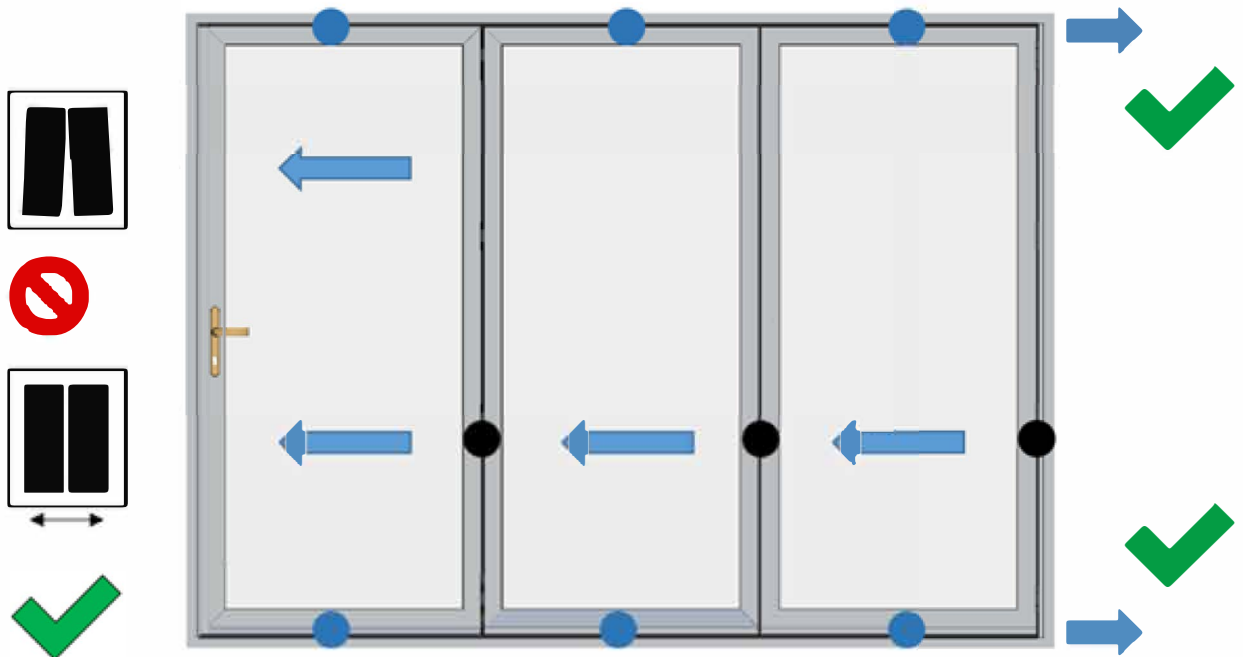
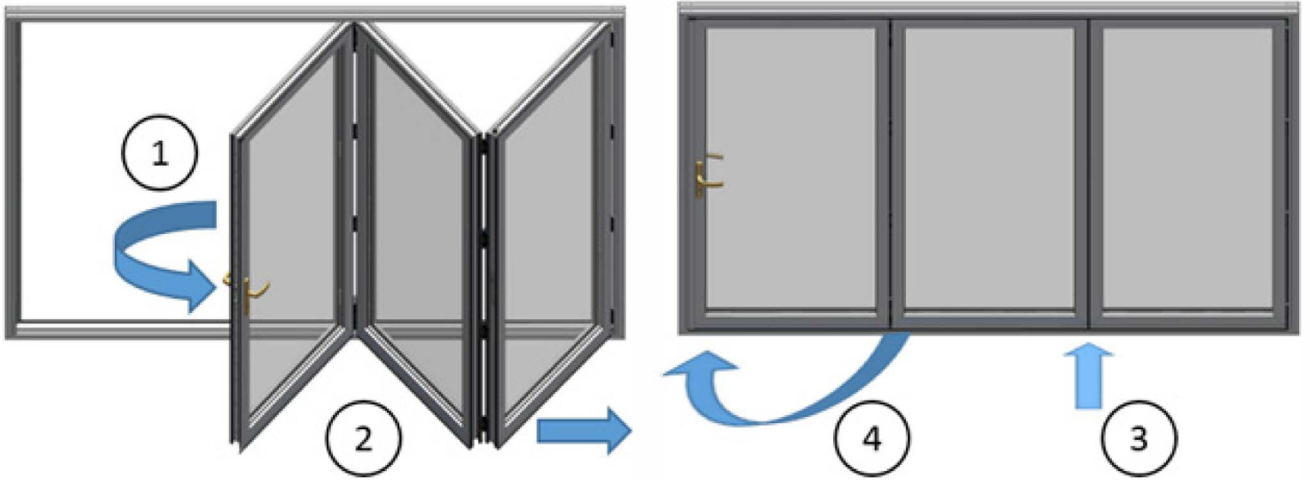
Step 11

Repeat step 9 and 10 until all the panels have been installed.



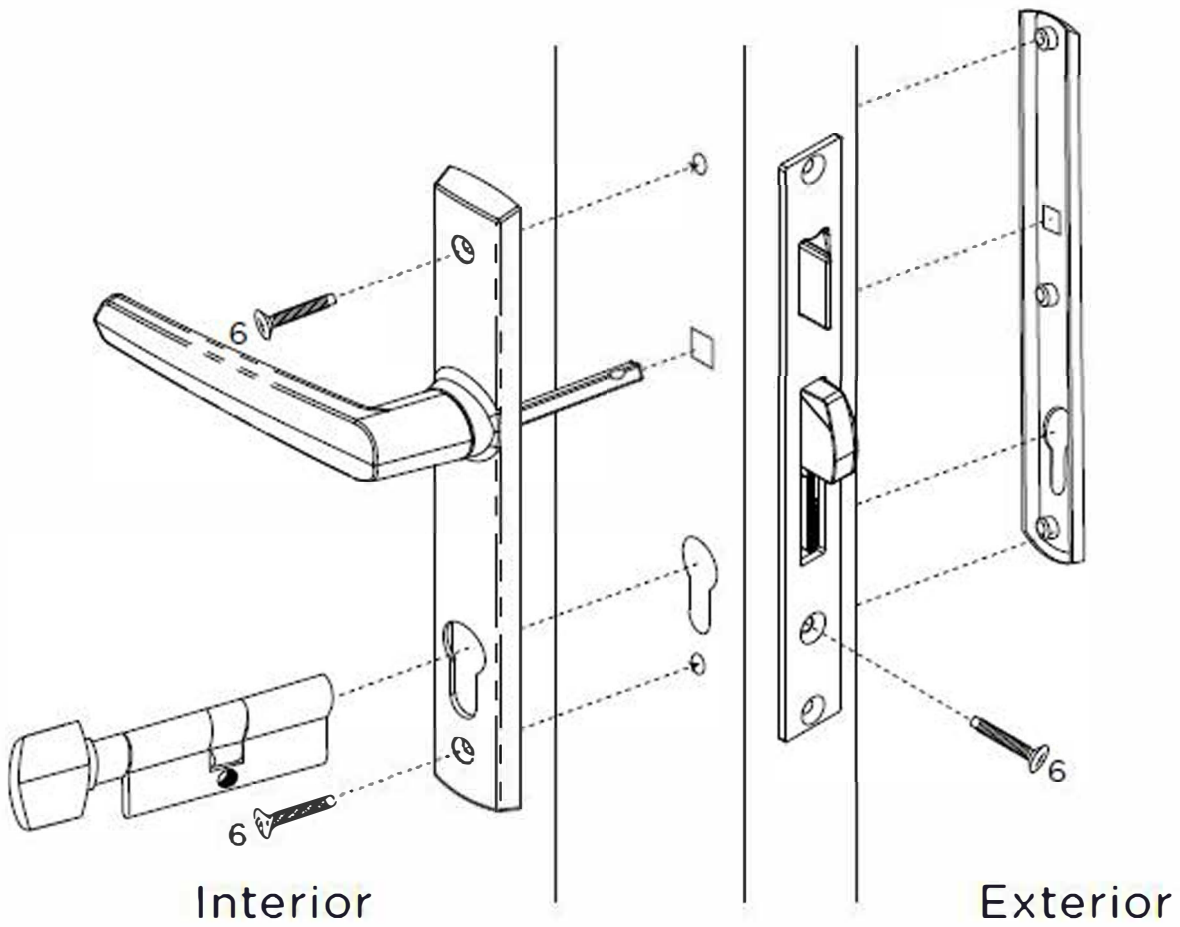
Step 12

Test the Operation.



Step 13

Install the handle.



Step 14

Use sealant to seal around the frame.

