

Fluidic Electronics: Logic Gates

Vishal V R Nandigana

Department of Mechanical Engineering, Head of Membrane Technology and Deep Learning laboratory, Fluid Systems Laboratory, Indian Institute of Technology Madras, Chennai 600036, India, Founder of Blue Fma PVT LTD *

*Corresponding author: [nandiga\[at\]iitm.ac.in](mailto:nandiga[at]iitm.ac.in), <https://bluefma.today>

Abstract: *In this paper, a novel Fluidic electronics logic gate, with two asymmetric reservoirs connected to a nanoporous PCTE membrane, of few microns in length, connected to another two asymmetric reservoirs connected to a nanoporous PCTE membrane, of few microns in length, with the entire Two Reservoirs+nanoporous membrane connected in parallel and the output reservoir is connected to the combined Two Reservoirs+nanoporous membrane unit. The Two Reservoirs+nanoporous membrane is electrically driven by Pt electrodes where the unit is filled with KCl electrolyte solution. The resulting electrokinetic transport, current, shows the Fluidic Electronics: Logic gate processor.*

Keywords: Fluidic Electronics, Logic Gates, Nanofluidics, Processor, Ion Transport

1. Introduction

Nanofluidics with nanoporous membranes are used for many applications such as blue energy [1-10], DNA sequencing [11-14], ionic circuits [15-19], seawater desalination [20-23]. Nanofluidics involves, nanoporous membranes typically integrated with two micro/mm size reservoirs with an electrical voltage applied across the Two Reservoirs+nanoporous membrane unit [24-25] filled with KCl electrolyte solution. The ion selective nature of the nanoporous membrane, allows ions of K⁺ or Cl⁻ or both K⁺ and Cl⁻ to transport through the nanoporous membrane, resulting in electrokinetic transport and a net output current [24-25].

Ionic circuits designed using Two Reservoirs+nanoporous membrane, has found niche applications in making Fluidic electronics: Logic gate processor [15-19].

1.1 Mathematical modeling

Here, we used OpenFOAM open source, freely accessible software, and an open source package platform, developed in earlier works [1-10], a multiscale multiphysics Two Reservoir+nanoporous membrane unit open source package platform, in which Poisson-Nernst-Planck (PNP) and Navier-Stokes (NS), together hereafter referred as PNP+NS software package are numerically solved using CFD numerical methods, to use for multiscale multiphysics use [1-10]. The PNP+NS software platform package is available in the GitHub, under free access and downloads at https://github.com/nandiga/PNP_Navier_Stokes_Foam

1.2 Simulation Details

Here, Two Reservoirs, Big reservoir is 10 μm long, 10 μm diameter, Small reservoir is 1 μm long, 1 μm diameter. The nanoporous membrane connecting the Two Reservoirs is 1.2 μm long and 10 nm diameter. The Two Reservoirs+nanoporous membrane unit is combined with another Two Reservoirs+nanoporous membrane unit in

parallel. The voltage applied across the Two Reservoirs+nanoporous membrane unit is 0.5V. The simulation is carried out at room temperature considering KCl properties at room temperature. The nanoporous membrane simulated is PCTE membrane shown in Figure 1, the SEM image is taken using Centre for NEMS and Nanophotonics CNNP, SEM facility at IITM, Chennai, India. Further, PCTE nanoporous membrane's surface charge density is $\sigma_n = -1 \text{ mC/m}^2$.

2. Results

Figure 2 shows the Fluidic Electronics Logic gate processor result with output current and electrokinetic flow, for the ionic circuits Fluidic electronics: Logic gate processor.

NCM & its SEM image

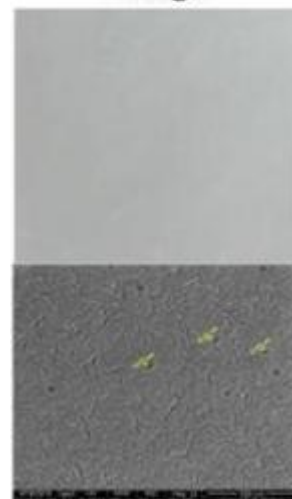


Figure 1: SEM image of PCTE nanoporous membrane. Our PCTE nanoporous membrane's image is taken from Centre for NEMS and Nanophotonics, CNNP, SEM facility at IITM, Chennai, India

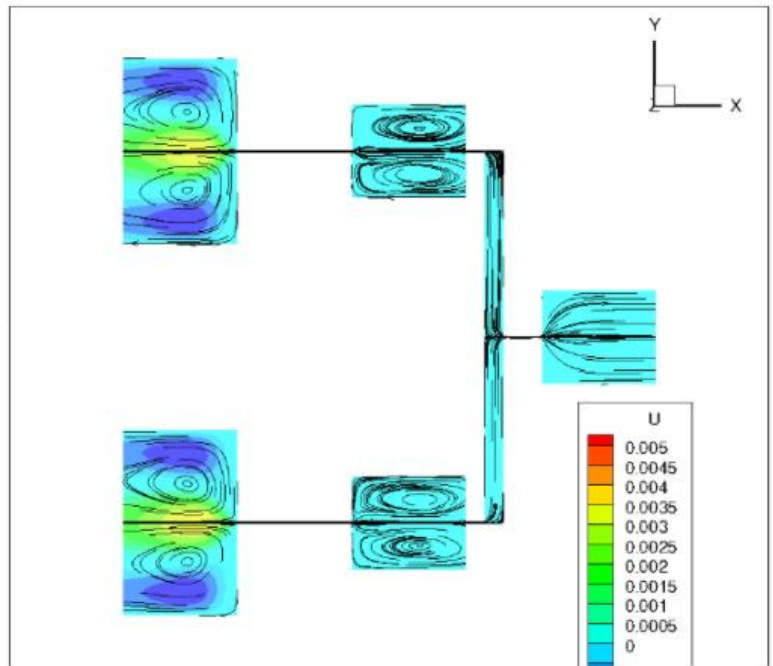
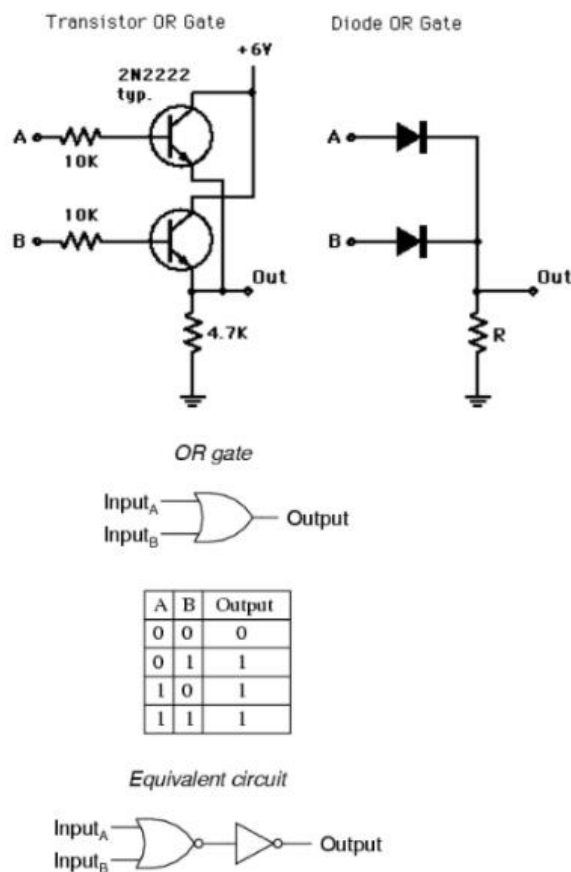


Figure 2: Fluidic electronics: Logic gate processor result

3. Conclusion

Here, a novel Fluidic electronics: Logic gate processor, with Two Reservoirs+nanoporous membrane unit for ionic circuit is shown for the first time.

4. Acknowledgments

MHRD STARS research grant STARS/APR2019/NS/148/FS., SERB CRG-Exponential technology grant CRG/2020/001684, Support for entrepreneurial and managerial development of MSMEs for Blue Fma PVT LTD, IoE-CoE C-MNBF grant, SB20210808MEMHRD008509.

References

- [1] M. Macha, S. Marion, V. V. R. Nandigana and Aleksandra Radenovic, 2D materials as an emerging platform for nanopore-based power generation, *Nature Rev. Materials*, 1, 1-18, 2019.
- [2] V. V. R. Nandigana, M. Heiranian and N. R. Aluru, Single ion transport with a single-layer graphene nanopore, *International Journal of Mechanical and Mechatronics Engineering*, 13, 2019.
- [3] V. V. R. Nandigana, K. D. Jo, A. T. Timperman and N. R. Aluru, Asymmetric-Fluidic-Reservoirs Induced High Rectification Nanofluidic diode, *Sci. Rep.*, 8, 1-10, 2018.
- [4] V. V. R. Nandigana and N. R. Aluru, 1/f pink chaos in nanopores, *RSC Advances*, 7, 46092-46100, 2017.
- [5] J. Feng, M. Graf, K. Liu, D. Ovchinnikov, D. Dumcenco, M. Heiranian, V. V. R. Nandigana, N. R. Aluru, A. Kis and A. Radenovic, Single-layer MoS₂ nanopores as nanopower generators, *Nature*, 536, 197-200, 2016.
- [6] V. V. R. Nandigana and N. R. Aluru, Avalanche effects near nano-junctions, *Phys. Rev. E*, 94, 012402, 2016.
- [7] H. Wang, V. V. R. Nandigana, K. Jo, N. R. Aluru and A. Timperman, Controlling the Ionic Current Rectification Factor of a Nanofluidic-Microfluidic Interface with Symmetric Nanocapillary Interconnects, *Anal. Chem.*, 87, 3598-3605, 2015.
- [8] V. V. R. Nandigana and N. R. Aluru, Characterization of electrochemical properties of a micro-nanochannel integrated system using computational impedance spectroscopy CIS, *Electrochimica Acta*, 105, 514-523, 2013.
- [9] V. V. R. Nandigana and N. R. Aluru, Nonlinear Electrokinetic Transport under Combined ac and dc Fields in Micro-Nanofluidic Interface Devices, *Journal of Fluids Engineering*, 135, 021201, 2013.
- [10] V. V. R. Nandigana and N. R. Aluru, Understanding anomalous current-voltage characteristics in microchannel-nanochannel interconnect devices, *JCIS*, 384, 162-171, 2012.
- [11] Y. Zhang, Y. Zhou, Z. Li, H. Chen, L. Zhang, and J. Fan, Computational Investigation of Geometrical Effects in 2D Boron Nitride Nanopores for DNA Detection, *Nanoscale* 12, 10026 2020.

- [12] G. F. Schneider and C. Dekker, DNA Sequencing with Nanopores, *Nat. Biotechnol.* 30, 326, 2012.
- [13] D. W. Deamer and D. Branton, Characterization of Nucleic Acids by Nanopore Analysis., *Acc. Chem. Res.* 35, 817 2002.
- [14] S. Cabello-Aguilar, S. Balme, A. A. Chaaya, M. Bechelany, E. Balanzat, J.-M. Janot, C. Pochat-Bohatier, P. Miele, and P. Dejardin, Slow Translocation of Polynucleotides and Their Discrimination by α -Hemolysin inside a Single Track-Etched Nanopore Designed by Atomic Layer Deposition, *Nanoscale* 5, 9582 2013.
- [15] S. H. Han, S.-R. Kwon, S. Baek, and T.-D. Chung, Ionic Circuits Powered by Reverse Electrodialysis for an Ultimate Iontronic System, *Sci. Rep.* 7, 14068 2017.
- [16] M. Ali, S. Mafe, P. Ramirez, R. Neumann, and W. Ensinger, Logic Gates Using Nanofluidic Diodes Based on Conical Nanopores Functionalized with Polyprotic Acid Chains, *Langmuir* 25, 11993 2009.
- [17] J.-H. Han, K. B. Kim, H. C. Kim, and T. D. Chung, Ionic Circuits Based on Polyelectrolyte Diodes on a Microchip, *Angew. Chemie Int. Ed.* 48, 3830 2009.
- [18] R. A. Lucas, C.-Y. Lin, L. A. Baker, and Z. S. Siwy, Ionic Amplifying Circuits Inspired by Electronics and Biology, *Nat. Commun.* 11, 1568 2020.
- [19] T. S. Plett, W. Cai, M. Le Thai, I. V Vlassiouk, R. M. Penner, and Z. S. Siwy, Solid-State Ionic Diodes Demonstrated in Conical Nanopores, *J. Phys. Chem. C* 121, 6170 2017.
- [20] M. Heiranian, A. B. Farimani, and N. R. Aluru, Water Desalination with a Single-Layer MoS₂ Nanopore, *Nat. Commun.* 6, 8616 2015.
- [21] V. P. K., S. K. Kannam, R. Hartkamp, and S. P. Sathian, Water Desalination Using Graphene Nanopores: Influence of the Water Models Used in Simulations, *Phys. Chem. Chem. Phys.* 20, 16005 2018.
- [22] B. Corry, Water and Ion Transport through Functionalised Carbon Nanotubes: Implications for Desalination Technology, *Energy Environ. Sci.* 4, 751 2011.
- [23] J. Palmeri, N. Ben Amar, H. Saidani, and A. Deratani, Process Modeling of Brackish and Seawater Nanofiltration, *Desalin. Water Treat.* 9, 263 2009.
- [24] S. Balme, F. Picaud, M. Manghi, J. Palmeri, M. Bechelany, S. Cabello-Aguilar, A. Abou-Chaaya, P. Miele, E. Balanzat, and J. M. Janot, Ionic Transport through Sub-10 Nm Diameter Hydrophobic High-Aspect Ratio Nanopores: Experiment, Theory and Simulation, *Sci. Rep.* 5, 10135 2015.
- [25] C. Ho, R. Qiao, J. B. Heng, A. Chatterjee, R. J. Timp, N. R. Aluru, and G. Timp, Electrolytic Transport through a Synthetic Nanometer-Diameter Pore, *Proc. Natl. Acad. Sci. U. S. A.* 102, 10445 LP 2005.