

Fracture mechanics Computer Simulation and Visualization using AIDesign software

Vishal Nandigana^{1,2*}

¹Department of Mechanical Engineering, Head of Membrane Technology and Deep Learning Laboratory, Fluid Systems Laboratory, IIT Madras, Chennai 600036.

²AIDesign Private Limited GSTIIN., Chennai, India, <https://aidesign.today>

*Corresponding Author

Abstract

Introduction

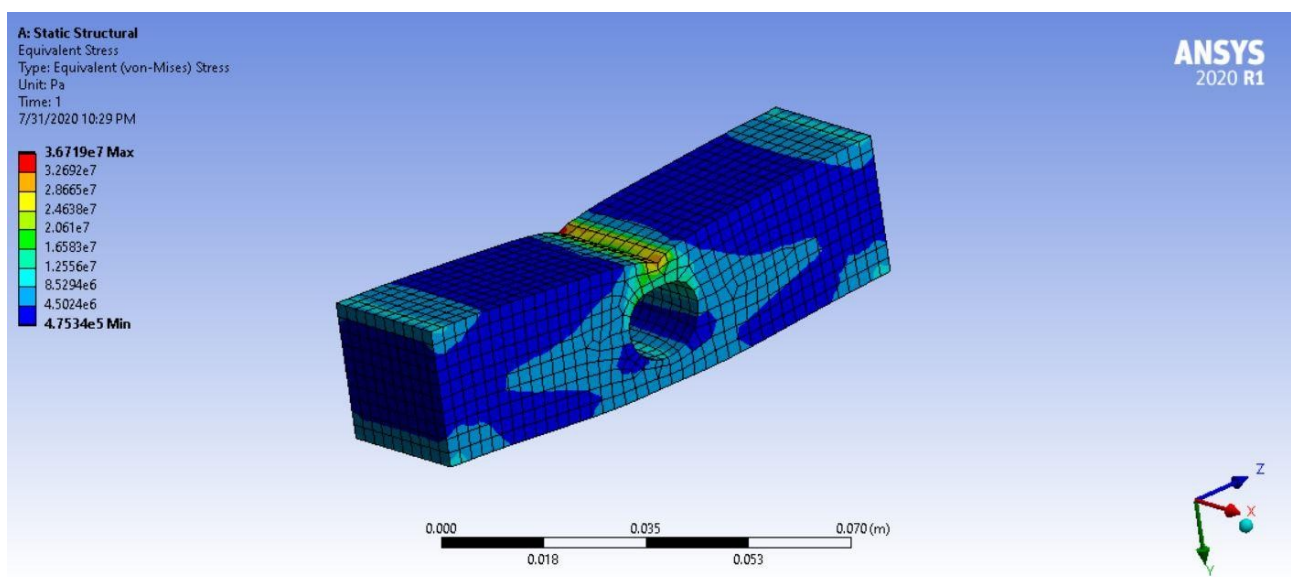
Mathematical Formulation using DANN algorithm

Fracture Mechanics Theory and Experiments in Literature

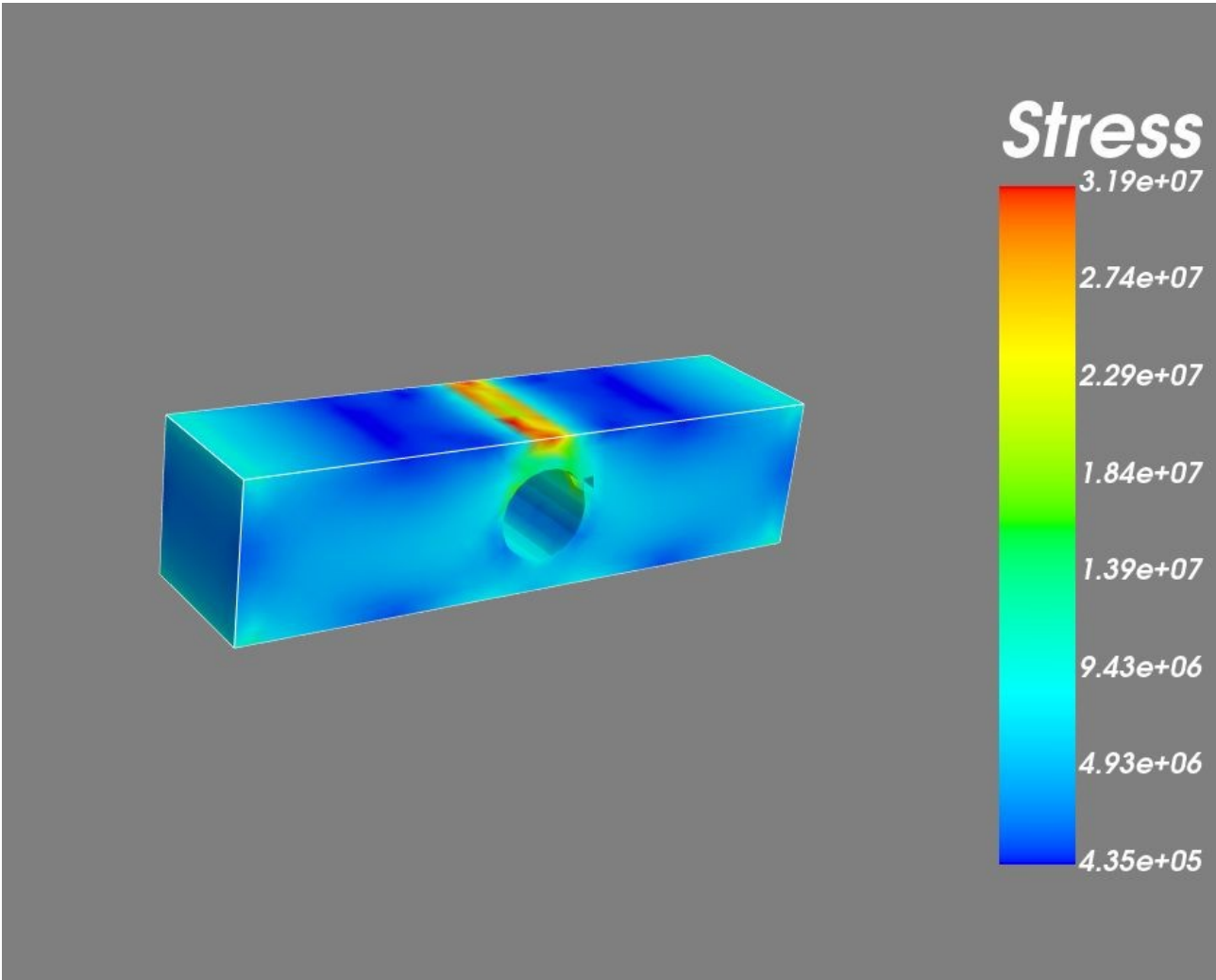
Fracture Mechanics Computer Simulation and Experiments in Literature

Results

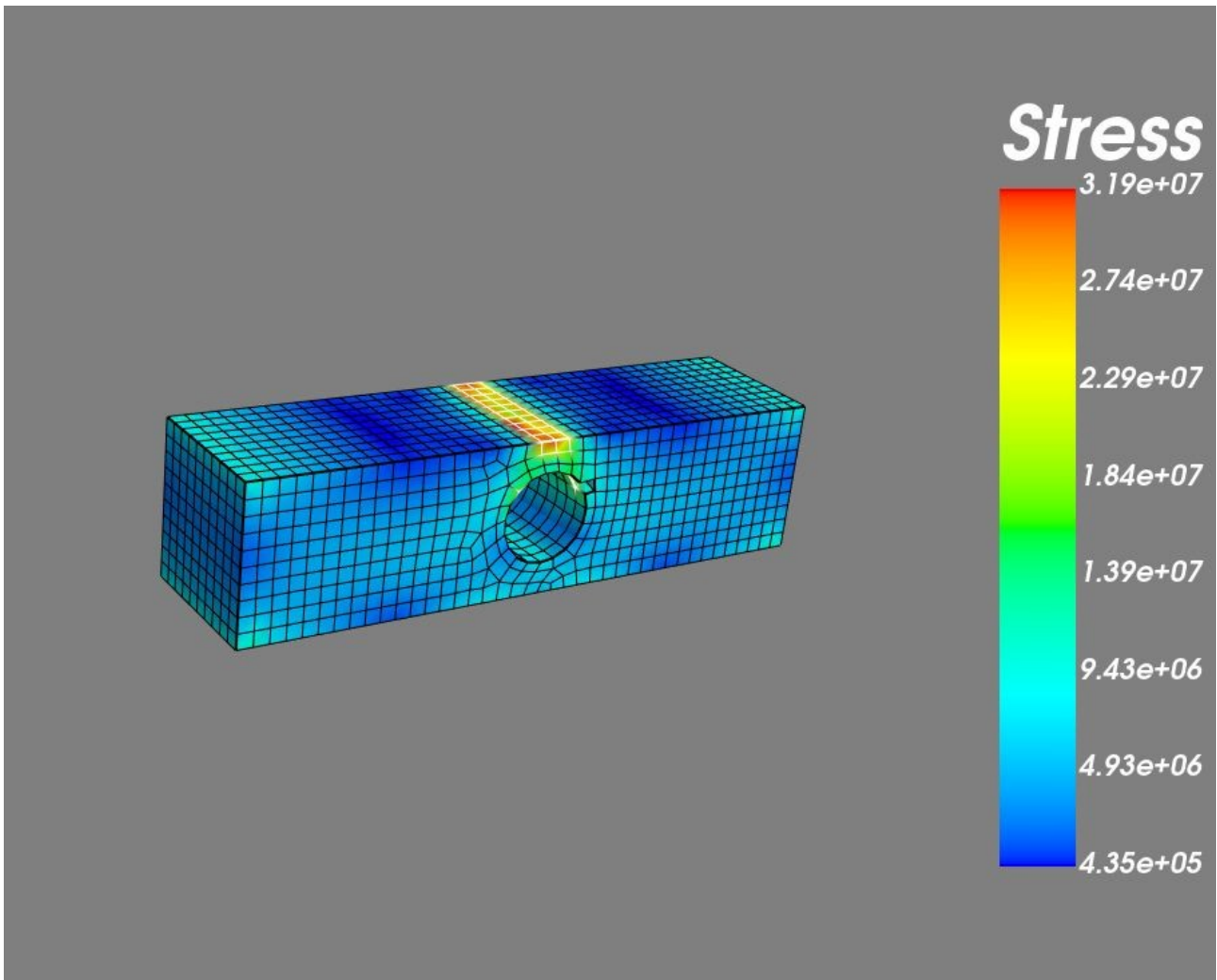
Computer Simulation of Fracture Mechanics using AIDesign Software



(a)

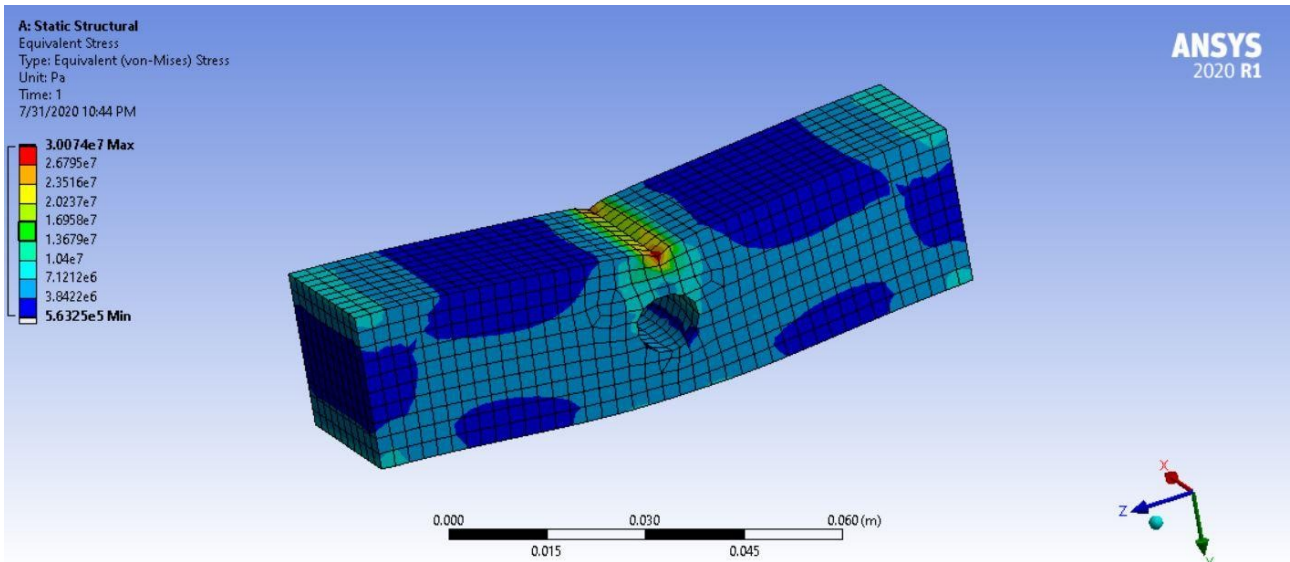


(b)

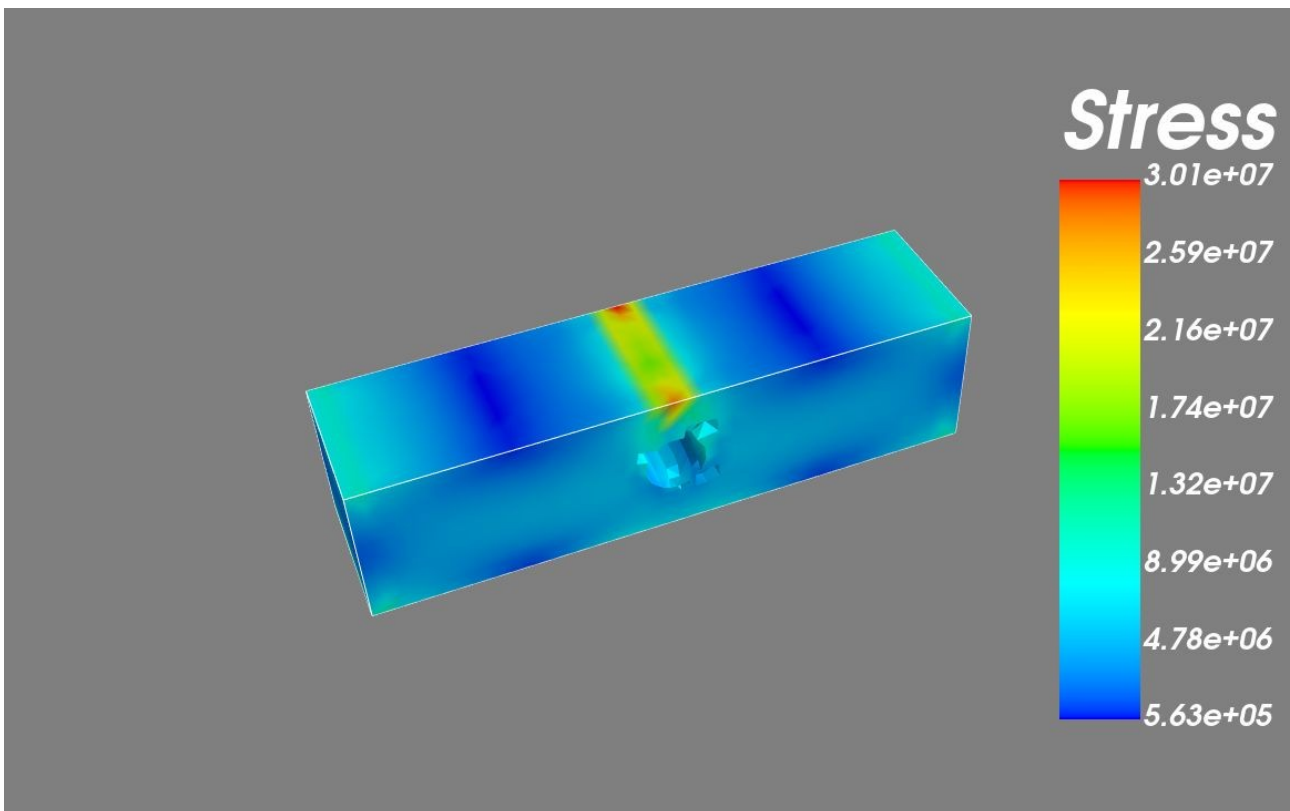


(c)

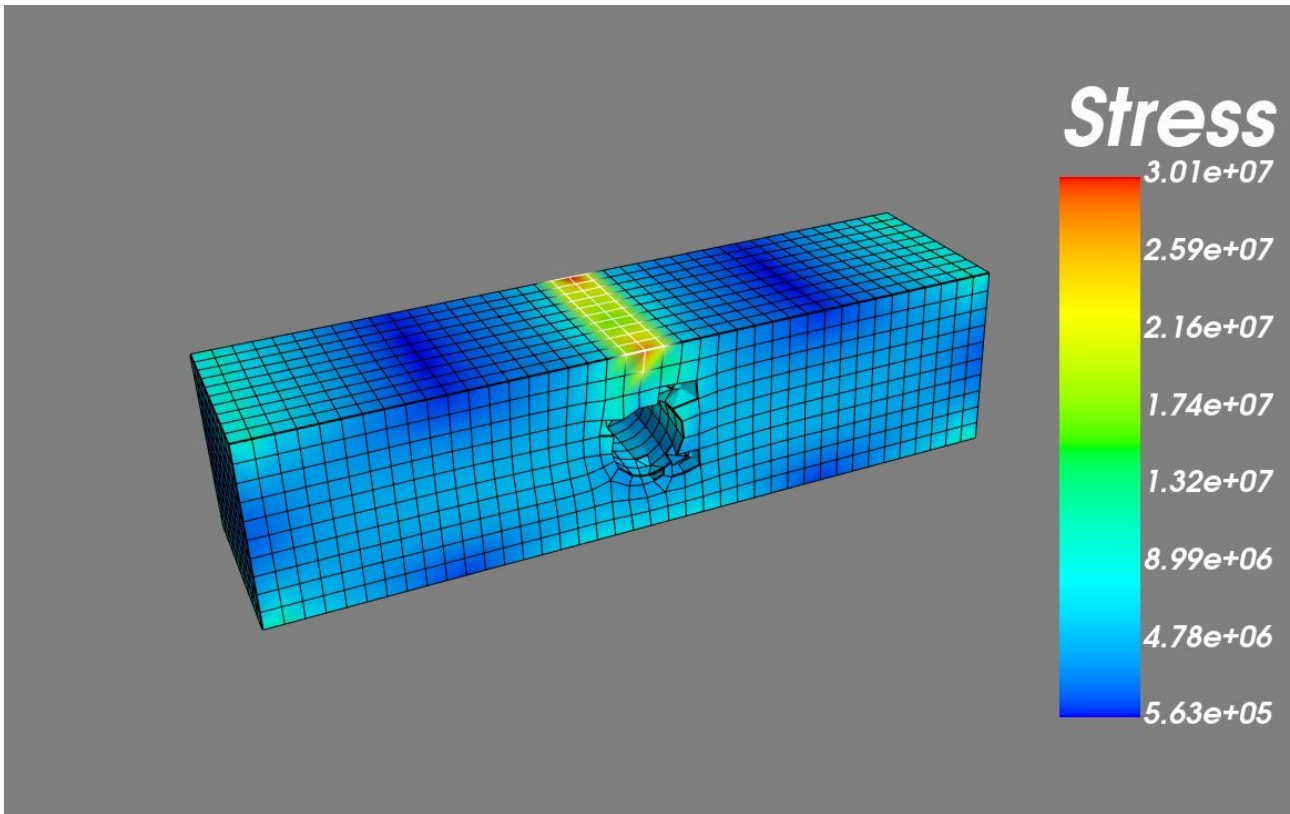
Fig. 1. Computer Simulation of Fracture Mechanics (a) Ansys simulation and visualization software (b) AIDesign simulation and visualization software view – I, (c) AIDesign simulation and visualization software view – II



(a)



(b)



(c)

Fig. 2. Computer Simulation of Fracture Mechanics (a) Ansys simulation and visualization software (b) AIDesign simulation and visualization software view – I, (c) AIDesign simulation and visualization software view – II

Discussions

Conclusions

Acknowledgements

References