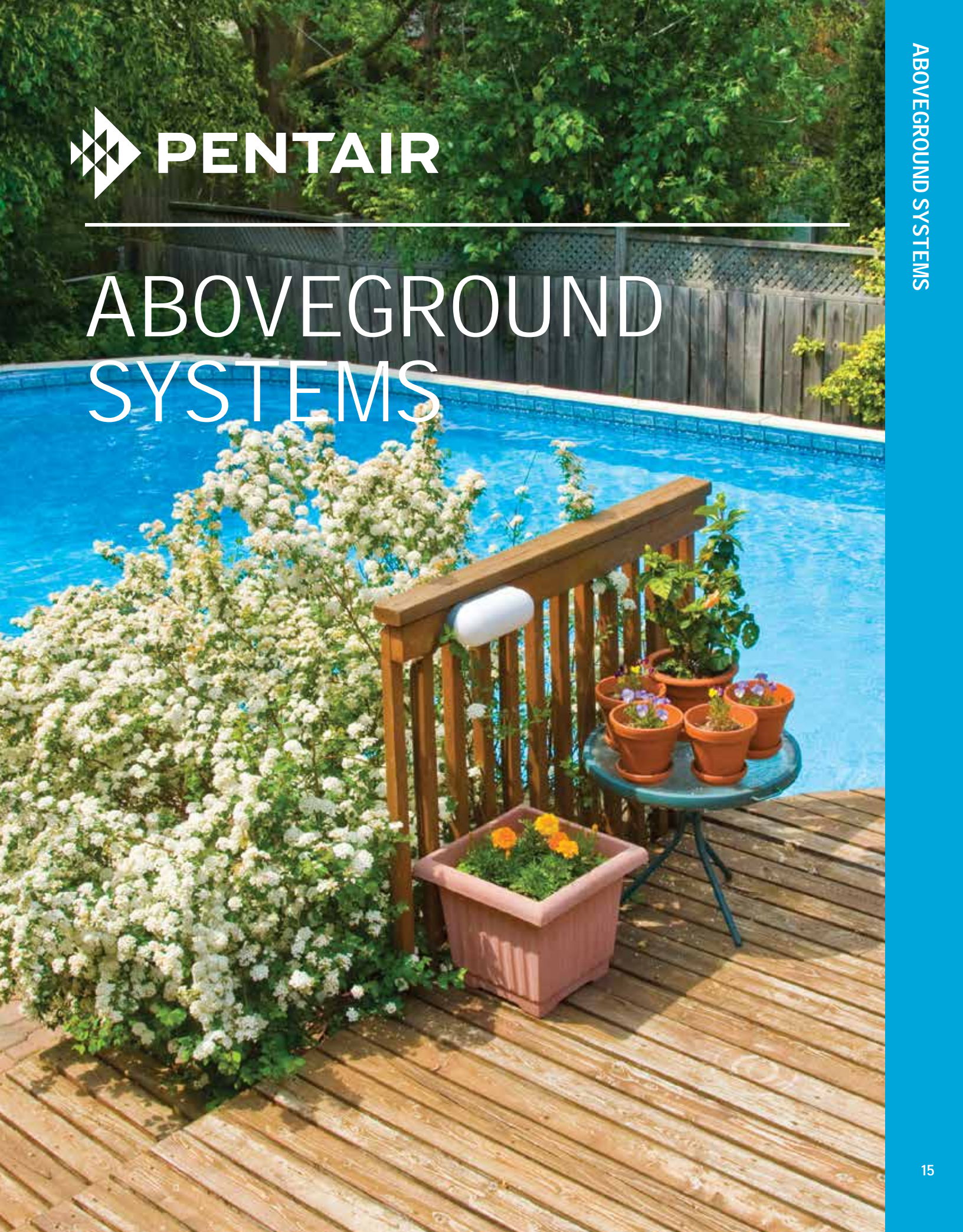




ABOVEGROUND SYSTEMS



CLEAN AND CLEAR® FILTER SYSTEMS

ABOVEGROUND CARTRIDGE POOL SYSTEMS



Clean & Clear Filter System

The Clean & Clear Filter System pairs the OptiFlo® Pump with the Clean & Clear Cartridge Filter, a high quality filtration unit using a thermoplastic chemical-resistant tank. All models are equipped with easy spin-on unions for plumbing hookups.

CALIFORNIA PROPOSITION 65 WARNING
 ⚠️ **WARNING:** Cancer and Reproductive Harm.
 ⚠️ **AVERTISSEMENT:** Peut Causer le Cancer et des Dommages au Système Reproducteur.
 ⚠️ **ADVERTENCIA:** Cáncer y Daño Reproductivo.
 www.p65warnings.ca.gov. PN202114

Featured Highlights

- Unionized pump and filter connections
- Integrated continuous High Flow™ Internal Air Relief¹
- Lock ring with spring-loaded safety latches
- Coreless media for easy cleaning
- High Flow manual air relief valve
- 1-inch drain and wash out
- Single piece base and body design

Ordering Information

Product	Pump THP	Pump Cord	Hose Kit (Ft.)	Effective Filtration Area (Sq. Ft.)	Flow ² Rate (GPM)	Turnover Capacity (In Gallons) ²			Tank Diameter (In.)	Tank Height (In.)
						8 Hour	10 Hour	12 Hour		
CLEAN AND CLEAR SYSTEM										
PNCC0050OE1162	1.0	Standard plug 3 ft cord	6 ft	50	50	24,000	30,000	36,000	15-1/2	18
PNCC0075OE1162	1.0	Standard plug 3 ft cord	6 ft	75	75	36,000	45,000	54,000	15-1/2	25-1/2
PNCC0075OE1262	1.0	Twistlock plug 3 ft cord	6 ft	75	75	36,000	45,000	54,000	15-1/2	25-1/2
PNCC0100OE1162	1.0	Standard plug 3 ft cord	6 ft	100	100	48,000	60,000	72,000	15-1/2	33
PNCC0100OE1260	1.0	Twistlock plug 3 ft cord	6 ft	100	100	48,000	60,000	72,000	15-1/2	33
PNCC0125OE1160	1.0	Standard plug 3 ft cord	6 ft	125	125	60,000	75,000	90,000	15-1/2	33
PNCC0150OE1160	1.0	Standard plug 3 ft cord	6 ft	150	150	72,000	90,000	108,000	15-1/2	40-1/2
PNCC0150OE1260	1.0	Twistlock plug 3 ft cord	6 ft	150	150	72,000	90,000	108,000	15-1/2	40-1/2
PNCC0175OE1160	1.0	Standard plug 3 ft cord	6 ft	175	150	72,000	90,000	108,000	15-1/2	40-1/2
PNCC0200OE1160	1.0	Standard plug 3 ft cord	6 ft	200	150	72,000	90,000	108,000	15-1/2	40-1/2
PNCC0200OE1260	1.0	Twistlock plug 3 ft cord	6 ft	200	150	72,000	90,000	108,000	15-1/2	40-1/2
ACCESSORIES										

PNBKCCWROXXXX0 Base Kit with pump to filter connection for Clean & Clear and Optiflo Pump

Dimensions and Performance



Clean & Clear Filter



OptiFlo Pump

* 2 Speed Pump.

¹ Integrated continuous High Flow internal air relief is operational only when there is unobstructed flow in the circulating system.

² Flow Rate and Turnover Capacity based on Filter.

See pages 299 for replacement parts.

PLM SERIES FILTER SYSTEMS

ABOVEGROUND MODULAR MEDIA FILTER SYSTEM



TRADEGRADE

Featured Highlights

- Compact Design – Fits easily in tight installations. Sleek-looking in matte black finish.
- Easy Access – The Posi-Lok™ Locking Ring is easy to use. Split-tank design permits rinse-in-place cleaning.
- Dirt Loading – Flow-balanced tank hydraulics direct water through each side of filter module. Uniform dirt-loading prevents clogging.
- Easy Reading – Information panels and top-mounted pressure gauge are positioned for easy reading



PLM Series Systems shown with OptiFlo® Pump

Convenience and helps with a maintenance-free operation make this aboveground system a smart choice. Featuring Sta-Rite's modular media technology, these systems handle dirt loads of up to 15 times more than sand filters of equivalent size. Available with rugged, large-capacity OptiFlo Series pump.

CALIFORNIA PROPOSITION 65 WARNING
 ⚠️ **WARNING:** Cancer and Reproductive Harm.
 ⚠️ **AVERTISSEMENT:** Peut Causer le Cancer et des Dommages au Système Reproducteur.
 ⚠️ **ADVERTENCIA:** Cáncer y Daño Reproductivo.
www.p65warnings.ca.gov PHS 201514

Ordering Information

Product	Pump THP	Pump Cord	Hose Kit (Ft.)	Effective Filtration Area (Sq. Ft.)	Flow ¹ Rate (GPM)	Turnover Capacity (In Gallons) ¹			Tank Diameter (In.)	Tank Height (In.)	Notes
						8 Hour	10 Hour	12 Hour			
PLM SERIES FILTER SYSTEMS											
SRPLM100OE1162	1.0	Standard plug 3 ft cord	6	100	100	48,000	60,000	72,000	15	28	—
SRPLM100OE1262	1.0	Twistlock plug 3 ft cord	6	100	100	48,000	60,000	72,000	15	28	—
SRPLM100OE13X2	1.0	CSA 25 ft cord	None	100	100	48,000	60,000	72,000	15	28	Only for sale in Canada
SRPLM150OE1162	1.0	Standard plug 3 ft cord	6	150	150	72,000	90,000	108,000	15	28	—
SRPLM150OE1262	1.0	Twistlock plug 3 ft cord	6	150	150	72,000	90,000	108,000	15	28	—
SRPLM150OE13X0	1.0	CSA 25 ft cord	None	150	150	72,000	90,000	108,000	15	28	Only for sale in Canada
SRPLM200OE1260	1.0	Standard plug 3 ft cord	6	200	150	72,000	90,000	108,000	15	28	—

¹ Flow Rate and Turnover Capacity based on Filter.

Note: Operating Limits – designed for maximum continual working pressure of 50 PSI. Water temperature maximum 104°F (40°C).

Dimensions and Performance

OptiFlo Pump

OptiFlo Pump

PLM Filter



Certified to NSF/ANSI Standard 50

PLD SERIES FILTER SYSTEMS

ABOVEGROUND MODULAR D.E. FILTER SYSTEM



TRADEGRADE



PLD Series Systems shown with OptiFlo® Pump

Sta-Rite combines improved water quality and carefree operation in a system package. Evolution of the proven modular media technology delivers D.E. filtration in a simple, one-piece module design. Available with rugged, large-capacity OptiFlo Series pump.

Featured Highlights

- **Easy-Open Convenience** – The Posi-Lok™ Locking Ring provides easy access for seasonal cleaning. Simply unscrew the ring and lift.
- **Holds More Dirt** – The modular-design filters incorporate a balanced-flow tank design that directs water through both sides of the modules, using every inch of its pleated surface
- **Ready to Go** – Complete system includes the Mod D.E. filter and a performance-matched pump that's ready for easy assembly on a tool-free platform

CALIFORNIA PROPOSITION 65 WARNING

⚠ **WARNING:** Cancer and Reproductive Harm.
 ⚠ **AVERTISSEMENT:** Peut Causer le Cancer et des Dommages au Système Reproducteur.
 ⚠ **ADVERTENCIA:** Cáncer y Daño Reproductivo.
www.p65warnings.ca.gov

Ordering Information

Product	Pump THP	Pump Cord	Hose Kit (Ft.)	Effective Filtration Area (Sq. Ft.)	Flow ¹ Rate (GPM)	Turnover Capacity (In Gallons) ¹			D.E. Required (Lbs.)	Tank Diameter (In.)	Tank Height (In.)
						8 Hour	10 Hour	12 Hour			
PLD SERIES FILTER SYSTEMS											
SRPLD050OE1162	1.0	Standard plug 3 ft cord	6 ft	30	60	28,800	36,000	43,200	15	28	28
SRPLD050OE1262	1.0	Twistlock plug 3 ft cord	6 ft	30	60	28,800	36,000	43,200	15	28	28

¹ Flow Rate and Turnover Capacity based on Filter.

Note: Operating Limits – designed for maximum continual working pressure of 50 PSI. Water temperature maximum 104°F (40°C). D.E. required: 6 lbs.

Dimensions and Performance

PLD Filter

OptiFlo Pump



EASYSYSTEM™ D.E. FILTER SYSTEMS

ABOVEGROUND D.E. POOL SYSTEMS

Featured Highlights

- Removable cartridge-style D.E. element for quick, convenient cleaning
- Automatically regenerates D.E. media during off cycle and start-up
- High Flow™ Manual Air Relief valve and continuous internal air relief work together to help eliminate air accumulation and maintain optimum filtration efficiency in single and two-speed models ¹
- Filter lock ring allows for quick and easy servicing

CALIFORNIA PROPOSITION 65 WARNING

⚠ **WARNING:** Cancer and Reproductive Harm.
 ⚠ **AVERTISSEMENT:** Peut Causer le Cancer et des Dommages au Système Reproducteur.
 ⚠ **ADVERTENCIA:** Cáncer y Daño Reproductivo.
www.p65warnings.ca.gov



EasyClean D.E. Filter System shown with OptiFlo® Pump

The EasyClean D.E. Filter System pairs the OptiFlo® Pump with the EasyClean D.E. Filter to create this high performance system for aboveground pools. Rugged, efficient and simple to operate. The EasyClean D.E. Filter System comes in a variety of sizes to suit any aboveground pool configuration.

Ordering Information

Product	Pump THP	Pump Cord	Hose Kit (Ft.)	Effective Filtration Area (Sq. Ft.)	Flow ¹ Rate (GPM)	Turnover Capacity (In Gallons) ²			Tank Diameter (In.)	Tank Height (In.)	D.E. Required (Lbs.)
						8 Hour	10 Hour	12 Hour			
EASYSYSTEM FILTER SYSTEMS											
PNEC0060OE1162	1.0	Standard plug 3 ft cord	6 ft	15	60	28,800	36,000	43,200	15-1/2	25-1/2	1-1/2
PNEC0060OE1262	1.0	Twistlock plug 3 ft cord	6 ft	15	60	28,800	36,000	43,200	15-1/2	25-1/2	1-1/2
PNEC0090OE1160	1.0	Standard plug 3 ft cord	6 ft	30	90	43,200	54,000	64,800	15-1/2	40-1/2	3
PNEC0090OE1260	1.0	Twistlock plug 3 ft cord	6 ft	30	90	43,200	54,000	64,800	15-1/2	40-1/2	3

¹ Integrated continuous High Flow internal air relief is operational only when there is unobstructed flow in the circulating system.

² Flow Rate and Turnover Capacity based on Filter.

Dimensions and Performance

OptiFlo Pump



SAND DOLLAR® FILTER SYSTEMS

SAND FILTER SYSTEM WITH BLOW-MOLDED TANK



Sand Dollar Filter System

Our blow-molded process creates a one piece, non-corrosive tank of unequalled strength and durability. This pump and filter system provides excellent performance at an affordable price.

Featured Highlights

- Six-position 1-1/2 in. multiport valve
- New 1.0 THP OptiFlo® Pump
- Our innovative process creates a one-piece, non-corrosive tank of strength and durability even in the most demanding of applications
- Combination water and sand drain makes servicing and winterizing fast and easy
- Unionized Pump to Filter connection

CALIFORNIA PROPOSITION 65 WARNING

⚠️ **WARNING:** Cancer and Reproductive Harm.
 ⚠️ **AVERTISSEMENT:** Peut Causer le Cancer et des Dommages au Système Reproducteur.
 ⚠️ **ADVERTENCIA:** Cáncer y Daño Reproductivo.

www.p65warnings.ca.gov PN201714

Ordering Information

Product	Pump THP	Pump Cord	Hose Kit (Ft.)	Effective Filtration Area (Sq. Ft.)	Flow ¹ Rate (GPM)	Turnover Capacity (In Gallons) ¹			Tank Diameter (In.)	Tank Height (In.)	Sand Required (Lbs.)
						8 Hour	10 Hour	12 Hour			
SAND DOLLAR FILTER SYSTEMS											
PNSD0035OE1160	1.0	Standard plug 3 ft cord	6 ft	1.4	35	16,800	21,000	25,200	16	28-1/2	100
PNSD0035OE11X0	1.0	Standard plug 3 ft cord	None	1.4	35	16,800	21,000	25,200	19	34	150
PNSD0040OE1162	1.0	Standard plug 3 ft cord	6 ft	1.8	40	19,200	24,000	28,800	19	34	150
PNSD0040OE11X0	1.0	Standard plug 3 ft cord	None	1.8	40	19,200	24,000	28,800	19	34	150
PNSD0040OE1260	1.0	Twistlock plug 3 ft cord	6 ft	1.8	40	19,200	24,000	28,800	19	34	150
PNSD0060OE1160	1.0	Standard plug 3 ft cord	6 ft	2.3	60	28,800	36,000	43,200	22	35-1/2	250
PNSD0060OE11X0	1.0	Standard plug 3 ft cord	None	2.3	60	28,800	36,000	43,200	22	35-1/2	250
PNSD0060OE1260	1.0	Twistlock plug 3 ft cord	6 ft	2.3	60	28,800	36,000	43,200	22	35-1/2	250

¹ Flow Rate and Turnover Capacity based on Filter.

Dimensions and Performance



See pages 306 for replacement parts.

CRISTAL-FLO™ II FILTER SYSTEMS

ABOVEGROUND SAND FILTER SYSTEM



TRADEGRADE



Cristal-Flo II Filter System shown with OptiFlo® Pump

Featured Highlights

- Less Maintenance – Enjoy greater time between cleanings. The tank's sophisticated design distributes water evenly to maximize efficiency throughout filtration media.
- One-piece polyethylene tank will never corrode
- Multi-port valve selector activates backwashing action with one quick turn
- Easy-to-read top-mounted pressure gauge
- Unionized pump to filter connection allows for easy installation and servicing

Easy-maintenance sand filter system with the rugged, large capacity OptiFlo Series pump. Low maintenance and simple installation make this system the choice for many applications.

Ordering Information

Product	Pump THP	Pump Cord	Hose Kit (Ft.)	Effective Filtration Area (Sq. Ft.)	Flow Rate (GPM)	Turnover Capacity (In Gallons) ¹			Tank Diameter (In.)	Tank Height (In.)	Sand Required (Lbs.)	Notes
						8 Hour	10 Hour	12 Hour				
CRISTAL-FLO II FILTER SYSTEMS												
SRCF2016OE1160	1.0	Standard plug 3 ft cord	6 ft	1.4	35	16,800	21,000	25,200	16	28-1/2	100	—
SRCF2019OE1160	1.0	Standard plug 3 ft cord	6 ft	1.8	40	19,200	24,000	28,800	19	34	150	—
SRCF2019OE1260	1.0	Twistlock plug 3 ft cord	6 ft	1.8	40	19,200	24,000	28,800	19	34	150	—
SRCF2019OE13X0	1.0	CSA 25 ft cord	None	1.8	40	19,200	24,000	28,800	19	34	150	Only for sale in Canada
SRCF2022OE1160	1.0	Standard plug 3 ft cord	6 ft	2.3	60	28,800	36,000	43,200	22	35-1/2	250	—
SRCF2022OE1260	1.0	Twistlock plug 3 ft cord	6 ft	2.3	60	28,800	36,000	43,200	22	35-1/2	250	—

¹ Flow Rate and Turnover Capacity based on Filter.

CALIFORNIA PROPOSITION 65 WARNING
 ⚠️ **WARNING:** Cancer and Reproductive Harm.
 ⚠️ **AVERTISSEMENT:** Peut Causer le Cancer et des Dommages au Système Reproducteur.
 ⚠️ **ADVERTENCIA:** Cáncer y Daño Reproductivo.
www.p65warnings.ca.gov PA 201514

Dimensions and Performance

OptiFlo Pump



See page 308 for replacement parts.

ACCESSORIES

FOR ABOVEGROUND SYSTEMS

A suitable ground fault interrupter (GFCI) should always be installed on aboveground system equipment.

Product	Description
ACCESSORIES	
79137800	3 ft. Standard cord
155234	3 ft. cord with twist lock
155151	1-1/2 in. x 6 ft. hose kit, (to and from pool)
155005	1-1/2 in. x 12 ft. hose kit, (to and from pool)
150046	Hose adapter 1-1/2 in. NPT with Chlorinator connector
542413	Aboveground wall fitting 1-1/2 THD x 1-1/2 THD-white
542414	Aboveground wall fitting 1-1/2 THD x 1-1/2 socket-white
98600000	AquaLuminator aboveground light
98610002	AquaLuminator aboveground light - (Canada CSA) certified
K50600	Kreepy Krauly E-Z Vac Pool Cleaner
360100	Kreepy Krauly 'Lil Shark Pool Cleaner
360321	Kreepy Krauly 910 Robotic Aboveground Cleaner
542090	Sand Vac - empties a sand filter in 10 min for repair, refilling or removal
R171016	300 Series Off-Line Chlorinator Feeder
98605300	Quasar Non-Return Light
79203100	Adapter to connect AquaLuminator to cleaner
79100000Z	Fountain attachment, fits all AquaLuminator models
79202900	Hard plumbing adapter



AquaLuminator 98600000



3 ft. Twist Lock cord 155234

CALIFORNIA PROPOSITION 65 WARNING
 ⚠️ **WARNING:** Cancer and Reproductive Harm.
 ⚠️ **AVERTISSEMENT:** Peut Causer le Cancer et des Dommages au Système Reproducteur.
 ⚠️ **ADVERTENCIA:** Cáncer y Daño Reproductivo.
www.p65warnings.ca.gov PN 200714

300 Series Chlorinator/Feeder R171016



6 ft. Hose Kit 155151
 12 ft. Hose Kit 155005

Quasar Non-return light for Aboveground Pools 98605300



Pressure Cleaner Adapter



Fountain Attachment



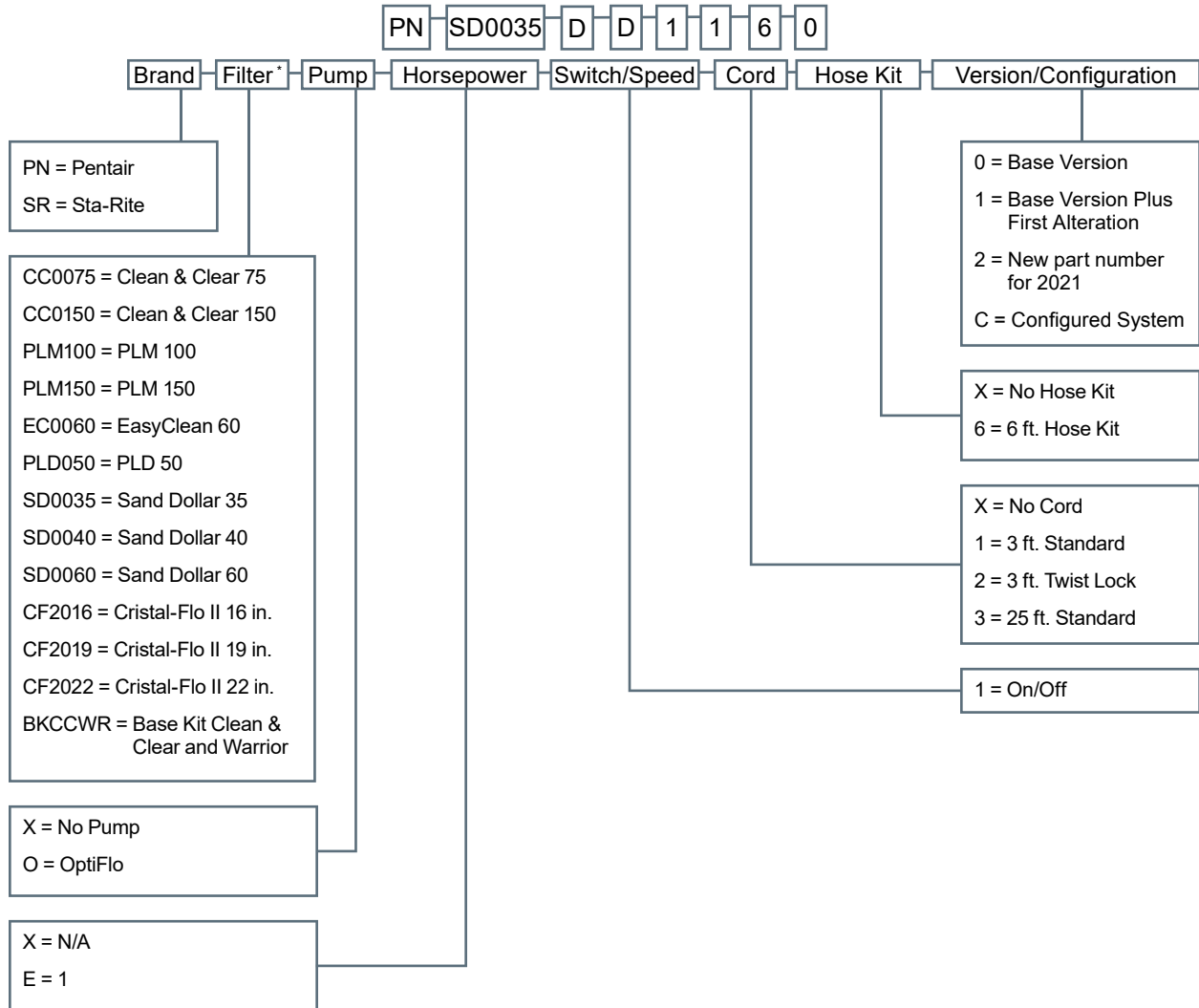
Hard Plumbing Adapter



Sand Vac 542090

PART NUMBERING SCHEME FOR ABOVEGROUND SYSTEMS

ex. PNSD0035DD1160



* Filter list may not represent all available types and sizes.



AUTOMATIC POOL CLEANERS

PENTAIR PROWLER® 930W

ROBOTIC INGROUND POOL CLEANER

TRADEGRADE



Pentair Prowler 930W

This pool cleaner is the right option for people who want the easiest way to control their pool cleaning. Mainly because it provides pool owners with anytime control via the Pentair Home app. The 930W connects to WiFi for smart device control.



Powered by Dolphin



Featured Highlights

- Using a smart device, the Pentair Home app lets pool owners go right to the problem spots and get them done fast
- All-surface deep cleaning using a powerful, high-speed scrubbing brush
- Programmable daily cleaning schedules
- Dual-level filtration with top access basket captures both large and ultra-fine debris
- Robust storage caddy for increased mobility and easy storage

CALIFORNIA PROPOSITION 65 WARNING
 ⚠️ **WARNING:** Cancer and Reproductive Harm.
 ⚠️ **AVERTISSEMENT:** Peut Causer le Cancer et des Dommages au Système Reproducteur.
 ⚠️ **ADVERTENCIA:** Cáncer y Daño Reproductivo.
www.p65warnings.ca.gov PN 201714A

Ordering Information

Product	Description	Carton Qty.	Carton Wt. (Lbs.)
PENTAIR PROWLER 930W ROBOTIC CLEANER			
360540	Prowler 930W Robotic Inground Pool Cleaner	1	40

PENTAIR PROWLER® 920

ROBOTIC INGROUND POOL CLEANER

TRADEGRADE



Pentair Prowler 920

Pool walls and floor get deep-scrubbing and powerful vacuuming action, all the way up to the tile line. Prowler 920 comes with separate mesh baskets made for either large or fine debris, to customize the filtration level or do lightning-fast swap out for touchups.



Powered by Dolphin



Featured Highlights

- All-surface deep cleaning with a powerful, high-speed scrubbing brush
- Fast and easy debris removal with a top access filtration basket
- Select from a large or fine debris filtration cartridges
- Programmable daily cleaning schedules with a built-in weekly timer

CALIFORNIA PROPOSITION 65 WARNING
 ⚠️ **WARNING:** Cancer and Reproductive Harm.
 ⚠️ **AVERTISSEMENT:** Peut Causer le Cancer et des Dommages au Système Reproducteur.
 ⚠️ **ADVERTENCIA:** Cáncer y Daño Reproductivo.
www.p65warnings.ca.gov PN 201714A

Ordering Information

Product	Description	Carton Qty.	Carton Wt. (Lbs.)
PENTAIR PROWLER 920 ROBOTIC CLEANER			
360322	Prowler 920 Robotic Inground Pool Cleaner	1	29

PENTAIR PROWLER® 917

ROBOTIC INGROUND POOL CLEANER

Featured Highlights

- All-surface deep cleaning using a powerful, high-speed scrubbing brush with wall climbing abilities
- Programmable daily cleaning schedules with built-in weekly timer, including fast clean mode
- Dual-level filtration with top access basket captures both large and ultra-fine debris
- Designed to work on any pool surface: Concrete, Plaster, Gunite, Tile, Vinyl, Fiberglass
- 50-foot power cord is perfect for pools up to 33 feet

With a high-speed scrubbing brush and a wall climber, the Prowler 917 Robotic Cleaner provides a deep clean from top to bottom on any pool surface.

TRADEGRADE



Powered by Dolphin

Pentair Prowler 917



CALIFORNIA PROPOSITION 65 WARNING

⚠ WARNING: Cancer and Reproductive Harm.
⚠ AVERTISSEMENT: Peut Causer le Cancer et des Dommages au Système Reproducteur.
⚠ ADVERTENCIA: Cáncer y Daño Reproductivo.
www.p65warnings.ca.gov

Ordering Information

Product	Description	Carton Qty.	Carton Wt. (Lbs.)
PENTAIR PROWLER 917 ROBOTIC CLEANER			
360520	Prowler 917 Robotic Inground Pool Cleaner	1	28

See page 312 for replacement parts.

PENTAIR PROWLER® 910

ROBOTIC ABOVEGROUND POOL CLEANER

Featured Highlights

- Powerful, high-speed scrubbing brush provides ultimate cleaning power
- Fast and easy debris removal with a top access filtration basket
- Durable 40-ft power cord

Just plug it in and watch as Prowler 910 makes fast work of dirt. Its deep-scrubbing and powerful vacuuming action effortlessly captures large and fine debris, depositing it into a self-contained, fine-mesh basket.

TRADEGRADE



Powered by Dolphin

Pentair Prowler 910



CALIFORNIA PROPOSITION 65 WARNING

⚠ WARNING: Cancer and Reproductive Harm.
⚠ AVERTISSEMENT: Peut Causer le Cancer et des Dommages au Système Reproducteur.
⚠ ADVERTENCIA: Cáncer y Daño Reproductivo.
www.p65warnings.ca.gov

Ordering Information

Product	Description	Carton Qty.	Carton Wt. (Lbs.)
PENTAIR PROWLER 910 ROBOTIC CLEANER			
360321	Prowler 910 Robotic Aboveground Pool Cleaner	1	27

See page 313 for replacement parts.

PENTAIR RACER®

PRESSURE-SIDE INGROUND POOL CLEANER



Pentair Racer

Pentair Racer Pressure-Side Inground Pool Cleaner has nearly 1/3 more cleaning power and 40% larger intake than other pressure-side cleaners. It is quick and simple to use — just attach the dedicated pressure line and it goes to work. It also has an adjustable flow gauge to regulate the Racer cleaner's speed for even greater control. The Night Cruise® LED Lights offer pool illumination for after-dark clean up. Racer has four venturis, a built-in rotating brush and large vacuum tube for more powerful cleaning.

CALIFORNIA PROPOSITION 65 WARNING
 ⚠️ **WARNING:** Cancer and Reproductive Harm.
 ⚠️ **AVERTISSEMENT:** Peut Causer le Cancer et des Dommages au Système Reproducteur.
 ⚠️ **ADVERTENCIA:** Cáncer y Daño Reproductivo.
www.p65warnings.ca.gov PK320714

Featured Highlights

- Front rotating brush scrubs and scours for a deep and detailed clean
- Wide tires for steady traction
- Cleans continuously in forward and reverse modes for complete uninterrupted coverage
- Ultra-bright LED lights illuminate and enhance nighttime cleaning
- Quick and easy to use and maintain — innovative design makes servicing easy

Ordering Information

Product	Description	Carton Qty.	Carton Wt. (Lbs.)
PENTAIR RACER PRESSURE-SIDE CLEANER			
360228	Racer Pressure-Side Inground Pool Cleaner	1	22.5

See page 316–317 for replacement parts.

PENTAIR REBEL®

SUCTION-SIDE INGROUND POOL CLEANER

TRADEGRADE



Pentair Rebel

Pentair Rebel cleaner packs amazing performance into a compact, easy-to-use package. Its preprogrammed steering and two-wheel design allows the Rebel cleaner to access hard-to-reach corners where debris often hides. Plus, the engineering of its turbine and roller skirt assures thorough, uninterrupted cleaning that other cleaners simply cannot match. The Rebel cleaner's extra-efficient hydraulic design makes it ideal for use with variable-speed pumps at low speed. Installation is a snap—just set it and forget it.

CALIFORNIA PROPOSITION 65 WARNING
 ⚠️ **WARNING:** Cancer and Reproductive Harm.
 ⚠️ **AVERTISSEMENT:** Peut Causer le Cancer et des Dommages au Système Reproducteur.
 ⚠️ **ADVERTENCIA:** Cáncer y Daño Reproductivo.
www.p65warnings.ca.gov PK320714

Featured Highlights

- Programmed Cleaning Cycle assures complete, thorough pool cleaning coverage
- Sure Flow Turbine design provides clear passage for dirt and debris, avoiding the clogging that is common with other 2-wheel cleaners
- Dual-Action Roller Skirt allows Rebel to maneuver up and over obstacles for uninterrupted cleaning
- Advanced Hydraulic Technology makes it ideal for use with variable speed and two-speed pumps at lower speeds
- Cleaning performance in all pool types—gunite, vinyl, fiberglass and tile pools
- Easy to install and maintain

Ordering Information

Product	Description	Carton Qty.	Carton Wt. (Lbs.)
PENTAIR REBEL SUCTION-SIDE CLEANER			
360473	Rebel Automatic Pool Cleaner for Inground Pools	1	15

See page 332 for replacement parts.

PENTAIR RACER® LS

PRESSURE-SIDE INGROUND POOL CLEANER

TRADEGRADE

Featured Highlights

- Quad-Jet Vacuum Technology —for jets create maximum vacuum power
- Large intake draws in dirt and debris of every size
- Four-wheel Steady-Grip Traction navigates all pool surfaces
- Cleans up to the waterline
- Debris bag is a snap to detach and empty

Pentair Racer LS is built for vacuum performance that provides maximum debris removal. Quad-jet vacuum technology gives you more cleaning power for a brighter, cleaner pool.

CALIFORNIA PROPOSITION 65 WARNING

⚠ **WARNING:** Cancer and Reproductive Harm.
 ⚠ **AVERTISSEMENT:** Peut Causer le Cancer et des Dommages au Système Reproducteur.
 ⚠ **ADVERTENCIA:** Cáncer y Daño Reproductivo.
www.p65warnings.ca.gov



Pentair Racer LS

Ordering Information

Product	Description	Carton Qty.	Carton Wt. (Lbs.)
PENTAIR RACER LS PRESSURE-SIDE CLEANER			
360330	Racer LS Pressure-Side Inground Pool Cleaner	1	22.5

See pages 318–319 for replacement parts.

KREEPY KRAULY® PLATINUM™

PRESSURE-SIDE INGROUND POOL CLEANER

Featured Highlights

- Dual thrust jets provide maximum power for speed and suction so most pools are cleaned in just 1–3 hours
- Front-wheel drive and wide tires provide maximum traction on inclined surfaces to assure total pool wall and floor coverage
- Four wheel design prevents tipping (common with 3 wheel cleaners) for uninterrupted and unattended performance
- Large-capacity debris channel and huge intake throat easily pick up larger leaves and debris
- Suitable for concrete, vinyl-lined and fiberglass pools

Kreepy Krauly Platinum cleaner is one rugged pressure-side cleaner. It's the ideal choice for inground pools exposed to higher loads of leaves and debris.

A great choice for pools in yards with lush landscaping and tougher cleaning challenges.

CALIFORNIA PROPOSITION 65 WARNING

⚠ **WARNING:** Cancer and Reproductive Harm.
 ⚠ **AVERTISSEMENT:** Peut Causer le Cancer et des Dommages au Système Reproducteur.
 ⚠ **ADVERTENCIA:** Cáncer y Daño Reproductivo.
www.p65warnings.ca.gov



Kreepy Krauly Platinum

Ordering Information

Product	Description	Carton Qty.	Carton Wt. (Lbs.)
KREEPY KRAULY PLATINUM PRESSURE-SIDE CLEANER (Without Pump) ¹			
LL505PM	Platinum Gray Top, White Bottom Cleaner for Lighter Colored Pools	1	23
LL505PMG	Platinum All Gray Cleaner for Darker Colored Pools	1	23

¹ The Platinum automatic pool cleaner comes ready to connect to a Booster Pump (P/N LA-MS05 and P/NLA01N) sold separately.

See pages 320–321 for replacement parts.

KREEPY KRAULY® LEGEND®

PRESSURE-SIDE INGROUND POOL CLEANER



Kreepy Krauly Legend

Kreepy Krauly Legend pressure-side cleaner features a highly efficient booster pump (sold separately) for optimum power and unimpeded surface skimming, plus a large intake throat to handle large and small debris.

CALIFORNIA PROPOSITION 65 WARNING
 ⚠️ **WARNING:** Cancer and Reproductive Harm.
 ⚠️ **AVERTISSEMENT:** Peut Causer le Cancer et des Dommages au Système Reproducteur.
 ⚠️ **ADVERTENCIA:** Cáncer y Daño Reproductivo.
www.p65warnings.ca.gov PN 202114

Featured Highlights

- Front-wheel drive for maximum traction on inclined surfaces for total pool coverage
- Four wheel design prevents tipping (common with 3 wheel cleaners) for uninterrupted and unattended performance
- Large intake throat and high-capacity bag handle large debris with ease
- Heavy-duty, large-capacity twist lock collection bag for long periods between cleanings and ease of maintenance
- Available in Gray/White or all Gray
- Cleans most pools in just 1–3 hours

Ordering Information

Product	Description	Carton Qty.	Carton Wt. (Lbs.)
KREEPY KRAULY LEGEND (Without Pump)			
LL505G	Legend Cleaner ¹ - Gray Top, White Bottom Cleaner for lighter colored pools	1	22
LL505GG	Legend - All Gray Legend Cleaner for darker colored pools ¹	1	22

¹ The Legend automatic pool cleaner comes ready to connect to a Booster Pump (P/N LA-MS05 and P/NLA01N) sold separately.

See pages 322–323 for replacement parts.

KREEPY KRAULY® LEGEND® II

PRESSURE-SIDE INGROUND POOL CLEANER



Kreepy Krauly Legend II

Kreepy Krauly Legend II cleaner provides pressure-side power without the added energy consumption of a booster pump. That means fast, thorough cleaning and a lower cost to operate. Dual-jetted design powers water through unit to create powerful vacuum action.



CALIFORNIA PROPOSITION 65 WARNING
 ⚠️ **WARNING:** Cancer and Reproductive Harm.
 ⚠️ **AVERTISSEMENT:** Peut Causer le Cancer et des Dommages au Système Reproducteur.
 ⚠️ **ADVERTENCIA:** Cáncer y Daño Reproductivo.
www.p65warnings.ca.gov PN 202114

Featured Highlights

- Front-wheel drive design assures maximum traction on inclined surfaces for total pool coverage
- Four wheel design prevents tipping (common with 3 wheel cleaners) for uninterrupted and unattended performance
- Dual thrust jets for maximum power, speed and performance
- Automatic back-up feature helps prevent hang-ups by steps and in corners to aid with uninterrupted and unattended performance
- Heavy-duty, large-capacity twist lock collection bag for long periods between cleanings and ease of maintenance
- Available in Gray/White or all Gray

Ordering Information

Product	Description	Carton Qty.	Carton Wt. (Lbs.)
KREEPY KRAULY LEGEND II PRESSURE-SIDE CLEANER			
LX5000G	Legend II - Gray Top, White Bottom Cleaner for lighter colored pools	1	20
LX5000GG	Legend II - All Gray Cleaner for Darker Colored Pools	1	20

See pages 326–327 for replacement parts.

PENTAIR DORADO®

SUCTION-SIDE INGROUND POOL CLEANER

Featured Highlights

- Bristle Drive Technology combines deep-cleaning scrubbing action and powerful, oversized vacuum inlet
- SmartTrac Programmed Steering easily navigates around pool obstacles for uninterrupted cleaning
- Clean faster with 15 inch wide cleaning path
- No assembly required. Just hook to hose and go.

The Dorado suction-side cleaner delivers simple, powerful cleaning you can see and feel. Its unique, Bristle-Drive™ Technology combines with oversized vacuum inlet to scrub and devour tough dirt and debris from your pool's floor and walls, providing complete, trouble-free cleaning. The cleaner's 15-inch-wide bristle scrubbers cover more of your pool in a single pass for fast cleaning. And Dorado's SmartTrac™ Programmed Steering easily navigates around pool obstacles for uninterrupted vacuuming of large and small debris.

TRADEGRADE



Pentair Dorado

Ordering Information

Product	Description	Carton Qty.	Carton Wt. (Lbs)
PENTAIR DORADO SUCTION-SIDE CLEANER			
360151	Dorado Automatic Pool Cleaner for Inground Pools	1	15

See page 336 for replacement parts.

KREEPY KRAULY® GREAT WHITE®

FOR INGROUND SWIMMING POOLS

Featured Highlights

- Bristle-drive dislodges tough dirt and debris for quick and thorough cleaning
- Programmed steering easily navigates around pool obstacles for uninterrupted cleaning
- Cuts a wide 15 in. path for quick cleaning
- Free Vac-Port door fitting for installation into dedicated vacuum line
- Adjustable regulator valve and free flow gauge let you set just the right cleaning speed to assure the most affective cleaning
- No assembly required. Just hook to hose and go.

Kreepy Krauly Great White cleaner scrubs and vacuums away the toughest dirt. Its bristle-drive mechanism has the strength to knock loose the most stubborn dirt, while the powerful vacuum action whisks away small and large debris.

CALIFORNIA PROPOSITION 65 WARNING

⚠️ **WARNING:** Cancer and Reproductive Harm.
 ⚠️ **AVERTISSEMENT:** Peut Causer le Cancer et des Dommages au Système Reproducteur.
 ⚠️ **ADVERTENCIA:** Cáncer y Daño Reproductivo.
www.p65warnings.ca.gov



Kreepy Krauly Great White

Ordering Information

Product	Description	Carton Qty.	Carton Wt. (Lbs)
KREEPY KRAULY GREAT WHITE SUCTION-SIDE CLEANER			
GW9500	Great White Automatic Pool Cleaner for Inground Pools	1	15

See page 337 for replacement parts.

KREEPY KRAULY®

SUCTION-SIDE INGROUND POOL CLEANER



Kreepy Krauly

Trusted by over 3 million pool owners for decades, Kreepy Krauly cleaner's powerful suction relentlessly removes dirt and debris automatically. And with only one operational moving part, you can count on years of dependable service at an exceptionally low cost of operation. It's our tireless, reliable performer... year after year.

CALIFORNIA PROPOSITION 65 WARNING

⚠️ **WARNING:** Cancer and Reproductive Harm.
 ⚠️ **AVERTISSEMENT:** Peut Causer le Cancer et des Dommages au Système Reproducteur.
 ⚠️ **ADVERTENCIA:** Cáncer y Daño Reproductivo.
www.p65warnings.ca.gov

Featured Highlights

- Rugged construction and ultra reliable service
- Dive float directional system helps guide cleaner throughout entire pool from the water line to the pool bottom for great cleaning coverage
- Automatic valve automatically regulates water flow to set the ideal travel speed for more thorough cleaning
- Roller strap maneuvers cleaner around steps and ladders for uninhibited cleaning
- Cleaner wings help channel leaves, dirt and debris directly into filtration system
- Original "one moving part" design for years of dependable service — no wheels or gears to replace

Ordering Information

Product	Description	Carton Qty.	Carton Wt. (Lbs.)
KREEPY KRAULY SUCTION-SIDE CLEANER			
360040	Kreepy Krauly Concrete/Gunite Cleaner ONLY - (Flat Seal)	1	15
360042	Kreepy Krauly Inground Universal Cleaner - (Pleated Seal)	1	15
360046	Kreepy Krauly Builder Model Concrete/Gunite Only	1	15
360049	Kreepy Krauly International Inground Cleaner - (Pleated Seal)	1	15

See page 339 for replacement parts.

KREEPY KRAULY® KRUISER™

AUTOMATIC INGROUND POOL CLEANER



Kreepy Krauly Kruiser

We took the best of our most popular suction-side cleaner in history, the Kreepy Krauly, and added performance features to make the Kreepy Krauly Kruiser. It's relentless in its ability to clean dirt and debris, while staying affordable and dependable.

CALIFORNIA PROPOSITION 65 WARNING

⚠️ **WARNING:** Cancer and Reproductive Harm.
 ⚠️ **AVERTISSEMENT:** Peut Causer le Cancer et des Dommages au Système Reproducteur.
 ⚠️ **ADVERTENCIA:** Cáncer y Daño Reproductivo.
www.p65warnings.ca.gov

Featured Highlights

- Extra-wide mouth to capture large and small debris with ease
- Includes specially engineered "fingers" to assure the unit won't get stuck or thrown off course by main drains, tight corners, eyeball fittings, and lights
- Built-in bumper assures free movement around steps and ladders for total cleaning coverage and uninterrupted, hands-free operation
- Installs in minutes without tools to skimmer

Ordering Information

Product	Description	Carton Qty.	Carton Wt. (Lbs.)
KREEPY KRAULY KRUISER SUCTION-SIDE CLEANER			
K60430	Kreepy Krauly Kruiser Inground Pool Cleaner	1	17

See page 340 for replacement parts.

PENTAIR 'LIL REBEL™

FOR ABOVEGROUND SWIMMING POOLS

TRADEGRADE

Featured Highlights

- Programmed cleaning cycle
- Sure-Flow Turbine provides clear passage for dirt and debris
- Two-wheel maneuverability and coverage
- Dual-action roller skirt maneuvers up and around obstacles
- Compact footprint for tight corners and 90 degree angles

Pentair 'Lil Rebel Cleaner makes short work of leaves, sand and other hard-to-clean debris, reaching tight spaces that other cleaners miss. Installation is a snap—just set it and forget it. With a sleek, modern design, the 'Lil Rebel cleaner is a complement to any pool environment.

CALIFORNIA PROPOSITION 65 WARNING

⚠ **WARNING:** Cancer and Reproductive Harm.
 ⚠ **AVERTISSEMENT:** Peut Causer le Cancer et des Dommages au Système Reproducteur.
 ⚠ **ADVERTENCIA:** Cáncer y Daño Reproductivo.
www.p65warnings.ca.gov



'Lil Rebel

Ordering Information

Product	Description	Carton Qty.	Carton Wt. (Lbs.)
PENTAIR 'LIL REBEL CLEANER			
360450	'Lil Rebel Automatic Pool Cleaner for Aboveground Pools	1	15

See page 342 for replacement parts.

KREEPY KRAULY® 'LIL SHARK™

FOR ABOVEGROUND SWIMMING POOLS

Featured Highlights

- Dual band of bristles scrub debris loose, while powerful vacuum action whisks it away
- Programmed cleaning provides more complete coverage without the missed spots other cleaners often leave behind
- Cuts a wide 10" path for quick and thorough cleaning
- Engineered for high performance cleaning with low cost of ownership

Dual band bristles scrub debris loose, while the powerful vacuum action whisks it away. 'Lil Shark comes fully equipped - simply remove it from the box, attach the hose, place in the water and off it goes.

CALIFORNIA PROPOSITION 65 WARNING

⚠ **WARNING:** Cancer and Reproductive Harm.
 ⚠ **AVERTISSEMENT:** Peut Causer le Cancer et des Dommages au Système Reproducteur.
 ⚠ **ADVERTENCIA:** Cáncer y Daño Reproductivo.
www.p65warnings.ca.gov



Kreepy Krauly 'Lil Shark

Ordering Information

Product	Description	Carton Qty.	Carton Wt. (Lbs.)
KREEPY KRAULY 'LIL SHARK CLEANER			
360100	'Lil Shark Automatic Pool Cleaner for Aboveground Pools	1	15

See page 344 for replacement parts.

KREEPY KRAULY® E-Z VAC®

SUCTION-SIDE ABOVEGROUND POOL CLEANER



Kreepy Krauly E-Z Vac

E-Z Vac cleaner was designed based on the same time-tested platform as the most popular suction-side cleaner in history, Kreepy Krauly cleaner. Includes 32 ft. of hose.

CALIFORNIA PROPOSITION 65 WARNING

⚠ **WARNING:** Cancer and Reproductive Harm.
 ⚠ **AVERTISSEMENT:** Peut Causer le Cancer et des Dommages au Système Reproducteur.
 ⚠ **ADVERTENCIA:** Cáncer y Daño Reproductivo.
www.p65warnings.ca.gov

Featured Highlights

- Hydraulic design for optimum vacuuming power
- Only one operational moving part—the flapper—for long, dependable service—no wheels or gears to replace or service
- Free skimming valve regulates water flow to assure proper cleaning speed and simultaneous skimming of surface debris while vacuuming
- Engineered to work flawlessly in flat-bottomed and dish-shaped pools with a banked or radius cove

Ordering Information

Product	Description	Carton Qty.	Carton Wt. (Lbs.)
KREEPY KRAULY E-Z VAC CLEANER			
K50600	E-Z Vac Pool Cleaner	3	49
K50607	E-Z Vac International Model Cleaner (Not available in the U.S.)	3	49

See page 343 for replacement parts.

KREEPY KRAULY® SANDSHARK™

FOR INGROUND SWIMMING POOLS



Kreepy Krauly SandShark

Kreepy Krauly SandShark foot pad features multiple rows of squeegee-like fins which easily dislodge stubborn dirt and debris. Cuts a 12 in. wide cleaning path and easily cleans gunite, fiberglass and vinyl surfaces in all types of in-ground pools.

CALIFORNIA PROPOSITION 65 WARNING

⚠ **WARNING:** Cancer and Reproductive Harm.
 ⚠ **AVERTISSEMENT:** Peut Causer le Cancer et des Dommages au Système Reproducteur.
 ⚠ **ADVERTENCIA:** Cáncer y Daño Reproductivo.
www.p65warnings.ca.gov

Featured Highlights

- SmartTrac™ Programmed Steering assures complete cleaning coverage from the pool floor to the waterline, maneuvering the SandShark cleaner around corners, swim-outs and steps
- Two-way cleaning action - footpad design scrubs and dislodges debris from the pool surface while its powerful vacuum action whisks it away
- Wide body design allows the SandShark cleaner to cut a broad 12" cleaning path for fast cleaning

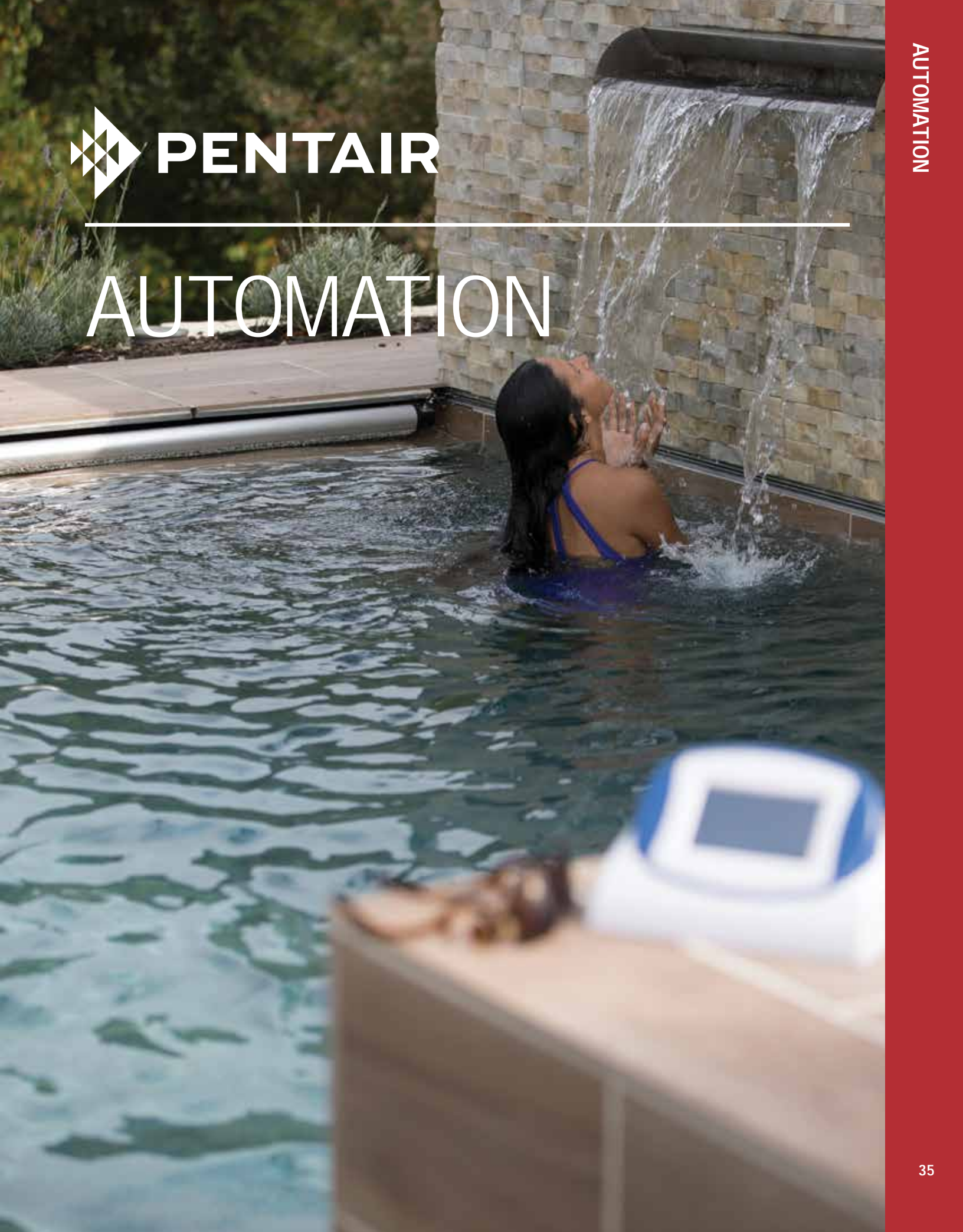
Ordering Information

Product	Description	Carton Qty.	Carton Wt. (Lbs.)
KREEPY KRAULY SANDSHARK SUCTION-SIDE CLEANER			
GW7900	SandShark Automatic Pool Cleaner for Inground Pools	1	15
GW7900-BLD	SandShark Automatic Pool Cleaner for Inground Pools - Builder Model	1	15

See page 338 for replacement parts.



AUTOMATION



INTELLICENTER®

CONTROL SYSTEM FOR POOLS AND SPAS

TRADEGRADE



IntelliCenter is Pentair's highest-capacity and most service-friendly control system ever. Communication with this system can be done on a wide range of devices and platforms. Many important service, programming and monitoring tasks can be done without an on-location service call. Order popular bundled systems and receive everything in one box or build systems a la carte.

Featured Highlights

- Easy to program, with step-by-step, on screen instructions
- Color touchscreen interface displays intuitive instructions in clear text and rich colors
- Convenient control from inside and outside the home via outdoor and indoor control panels and wireless remotes
- Remote control from anywhere: Android® and iOS® device, Web browsers on Mac® and PC computers and voice command with Amazon Echo®

CALIFORNIA PROPOSITION 65 WARNING

⚠ **WARNING:** Cancer and Reproductive Harm.
 ⚠ **AVERTISSEMENT:** Peut Causer le Cancer et des Dommages au Système Reproducteur.
 ⚠ **ADVERTENCIA:** Cáncer y Daño Reproductivo.
www.p65warnings.ca.gov

Ordering Information

Product	Country	Description	Includes IntelliChlor® Cell	Includes SCG Transformer	Includes two (2) IntelliValves
BUNDLED SYSTEMS (COMMON LOAD AND PERSONALITY KIT)					
523448	USA	IntelliCenter System (Load Center with i5P Personality Kit)	No	No	No
521903	USA	IntelliCenter System (Load Center with i8PS Personality Kit)	Yes, IC40	Yes	Yes
521904	USA	IntelliCenter System (Load Center with i8PS Personality Kit)	No	No	Yes
521905	USA	IntelliCenter System (Load Center with i5P Personality Kit)	Yes, IC40	Yes	No
521906	USA	IntelliCenter System (Load Center with i5PS Personality Kit)	Yes, IC40	Yes	Yes
521907	USA	IntelliCenter System (Load Center with i5PS Personality Kit)	No	No	Yes
521908	USA	IntelliCenter System (Load Center with i10PS Personality Kit)	Yes, IC40	Yes	Yes
523125	Canada	IntelliCenter System (Load Center with 5P-C/Personality Kit)	No	Yes	No
523126	Canada	IntelliCenter System with 5PS-C	No	Yes	Yes
523127	Canada	IntelliCenter System with 8PS-C	No	Yes	Yes

Note: Each system includes an outdoor wireless antenna. Pool/spa systems above include two IntelliValve® Valve Actuators.

INTELLICENTER UPGRADE KITS FOR EASYTOUCH AND INTELLITOUCH CONTROL SYSTEMS

522045	IntelliTouch/EasyTouch to Next Gen Upgrade Kit - i10P, for LC/PC	Systems manufactured prior to 2012 (2003 to 2012)
522046	IntelliTouch/EasyTouch to Next Gen Upgrade Kit - i10PS, for LC/PC	Systems manufactured prior to 2012 (2003 to 2012)
523218	IntelliTouch to Next Gen Upgrade Kit - i10D, for LC/PC (was 523048)	Systems manufactured prior to 2012 (2003 to 2012)
523530	IntelliTouch/EasyTouch to Next Gen Expansion Upgrade Kit LC/PC	Systems manufactured prior to 2012 (2003 to 2012)
522047	IntelliTouch/EasyTouch to Next Gen Upgrade Kit - i10P, for CLC/CPC	Systems manufactured after 2012
522048	IntelliTouch/EasyTouch to Next Gen Upgrade Kit - i10PS for CLC/CPC	Systems manufactured after 2012
523049	IntelliTouch to Next Gen Upgrade Kit - i10D, for CLC/CPC	Systems manufactured after 2012
523529	IntelliTouch/EasyTouch to Next Gen Expansion Upgrade Kit CLC/CPC	Systems manufactured after 2012

Android® is a registered trademark of Google, Inc. iOS® is a registered trademark of Cisco Technology in the United States and/or other countries. Mac® is a registered trademark of Apple, Inc. in the United States and/or other countries. Amazon Echo® is a registered trademark of Amazon Technologies, Inc. in the United States and/or other countries.

INTELLICENTER®

CONTROL SYSTEM FOR POOLS AND SPAS

AL A CARTE ORDERING STEP 1: PICK YOUR LOAD AND POWER CENTER

Ordering Information

Product	Description	IntelliChlor Transformer
LOAD AND POWER CENTERS		
522041	Load Center (with Salt Chlorine Generator support)	Included
522042	Power Center (with Salt Chlorine Generator support)	Included
522043	Load Center (without Salt Chlorine Generator support)	Not Included
522044	Power Center (without Salt Chlorine Generator support)	Not Included

STEP 2: PICK YOUR PERSONALITY KIT

Product	Description	Body of Water Style	Motherboard	Daughter Card	No. of Additional Relays**
INTELLICENTER PERSONALITY KITS					
521909	IntelliCenter Personality Kit i5P	Single	i5P	N/A	0
521910	IntelliCenter Personality Kit i8P	Single	i5P	i8P	3
521911	IntelliCenter Personality Kit i10P	Single	i5P	i10P	5
521912	IntelliCenter Personality Kit i5PS	Shared Equipment	i5P	i5PS	0
521913	IntelliCenter Personality Kit i8PS	Shared Equipment	i5P	i8PS	3
521914	IntelliCenter Personality Kit i10PS	Shared Equipment	i5P	i10PS	5
521915	IntelliCenter Personality Kit i10D	Dual Equipment	i5P	i10D	5
522033*	IntelliCenter i5X Expansion Kit	—	i5X	N/A	0
522034*	IntelliCenter i10X Expansion Kit	—	i5X	i10x	5

*Expansion kits use an i5X motherboard. i5P motherboards cannot be used in expansion panels.

** Load center comes with five (5) 3 HP relays.

STEP 3: PICK YOUR ACCESSORIES

Product	Description	Notes
LOAD AND POWER CENTERS / SPACOMMAND REMOTES		
522035	IntelliCenter Indoor Control Panel, White Faceplate	
523058	IntelliCenter Indoor Control Panel, Tan Faceplate	
523059	IntelliCenter Indoor Control Panel, Black Faceplate	
522036	IntelliCenter Wireless Remote with Transceiver	
522038Z	IntelliCenter Valve Expansion Module	Adds six actuator ports to system (on main load center).
522039Z	Pool Cover Interface Expansion Board	Supports two covers.
523434	900 MHz Wireless Ethernet Link	
523557	900 MHz Wireless Ethernet Link Kit	Includes PoE module and Ethernet cables.
544425	Cable POE/Ethernet High Power Wireless Bundle	900 MHz Wireless Cables
521176	SpaCommand Remote, Black with 150 ft. cable	
521177	SpaCommand Remote, Black with 250 ft. cable	
521178	SpaCommand Remote, White with 150 ft. cable	
521179	SpaCommand Remote, White with 250 ft. cable	
521180	Mudbox Accessory for recessing SpaCommand Remote into deck or tile. Includes cover plate and bezel.	
INTELLICENTER TRAINING AID		
523248	IntelliCenter Laptop Trainer	

See page 348 for replacement parts.

INTELLISYNC®

PUMP CONTROL AND MONITORING SYSTEM



Featured Highlights

- Affordable pool automation
- 24/7 pump control and monitoring via the Pentair Home App
- Easy Installation, plugs into a 120V outlet
- Freeze protection, helps keep the water from freezing in cold weather conditions
- Pool owners receive maintenance alerts or have them sent to their pool professional*

The IntelliSync Pump Control and Monitoring System gives pool owners smart device control of Pentair pumps such as IntelliFlo^{®1} and SuperFlo[®] Variable Speed Pumps. Through the convenience of the Pentair Home app, this pool pump controller lets you adjust the pool pump, plus get monitoring alerts on select models.

Ordering Information

Product	Description
INTELLISYNC POOL PUMP CONTROL AND MONITORING SYSTEM	
523404	IntelliSync Control Unit
350122	IntelliFlo ¹ Communication Cable (Not Included)
353129Z	SuperFlo Communication Cable (Not Included)

*Ability to send information to pool professional is optional an subject to availability.

¹ Not compatible with IntelliFlo VF pumps. Connects with other IntelliFlo pump models and SuperFlo Variable Speed pumps.

Note: The current version of IntelliSync firmware does not support the Amazon® Alexa® Skill. Support for the Amazon Alexa Skill with IntelliSync systems is currently under development and targeted for release, later this year. Amazon® and Alexa® are registered trademarks of Amazon Technologies, Inc. in the United States and/or other countries.

If your wireless connection, Internet or the AccuWeather weather service website is not working the freeze protection feature will not be operable.

CHEMCHECK™

WATER QUALITY MONITORING SYSTEM

Featured Highlights

- Continuously monitors pH, sanitizer performance and pool water temperature
- Sends alerts to a smart device when pool or spa water needs attention through the easy-to-use Pentair Home app
- Recommends ideal chemical dosage to keep the pool water balanced
- Keeps a record of all pool water chemistry information

TRADEGRADE



CHEMCHECK WATER QUALITY MONITORING SYSTEM

ChemCheck stays one step ahead of pool water chemistry, measuring pool sanitizing potential using Oxidation Reduction Potential (ORP) - analyzing more than just the amount of chemicals but also how well those chemicals are performing.

ChemCheck constantly monitors pool water quality and sends pool water chemistry information directly to a smart device using the Pentair Home app.

Ordering Information

Product	Description	Weight	Dimensions
CHEMCHECK WATER QUALITY MONITORING SYSTEM			
523402	ChemCheck Battery Control Unit	8 lbs	16.25" L x 13.375" W x 9.5" H
523476	ChemCheck 120V Control Unit	8 lbs	16.25" L x 13.375" W x 9.5" H

SCREENLOGIC2® INTERFACE

FOR INTELLITOUCH® AND EASYTOUCH® AUTOMATION SYSTEMS

TRADEGRADE



Add a ScreenLogic2 Interface to Pentair automation systems and gain pool access from practically anywhere at any time using your Android® and iOS® device, Web browsers on Mac® and PC computers

Featured Highlights

- Use an Android® and iOS® device, Web browsers on Mac® and PC computers to control pool functions from practically anywhere.
- Remotely manage using the ScreenLogic2 Interface Application
- Easily change, track and monitor history of pH and ORP levels when using IntelliChem® Chemical Control System with IntelliTouch or EasyTouch Automation
- ScreenLogic2 Interface app now allows full color lighting control for both IntelliBrite® LED Pool/Spa/Landscape Lights and MagicStream® Laminars
- All ScreenLogic2 Interface Kits come with a protocol adapter and ScreenLogic2 Interface PC program on CD

ScreenLogic2 Interface allows you to control the key functions of your pool and spa using the IntelliTouch and EasyTouch control systems, using controllers such your Android® and iOS® device, Web browsers on Mac® and PC computers. The ScreenLogic Bundle conveniently includes the Protocol Adapter (520500 and the ScreenLogic Interface Wireless Connection Kit (522620).

Ordering Information

Product	Description	
SCREENLOGIC2 INTERFACE CONTROL SYSTEMS		
522104	ScreenLogic Bundle (includes 520500 and 522620)	
520500	Protocol Adapter Only	
522620	Wireless Connection Kit Complete, antenna and transceiver	
520639	High Powered ScreenLogic Interface Wireless Connection Kit – Includes two radio transmitters that eliminate the need to run cable from the Load Center into the home where the protocol adapter and wireless router are located. This is for large properties where the standard 522620 does not work.	
523434	900 MHz Wireless Ethernet Link	
523557	900 MHz Wireless Ethernet Link Kit	Includes PoE module and Ethernet cables.
544425	Cable POE/Ethernet High Power Wireless Bundle	900 MHz Wireless Cables

* All ScreenLogic2 Interface Kits come with a protocol adapter

Macintosh® and Mac® are registered trademarks of Apple Inc. in the United States and/or other countries.

Android® is a trademark of Google LLC., in the United States and/or other countries.

iOS® is a registered trademark of Cisco Technology, Inc. in the United States and/or other countries.

NOTE: THE PENTAIR SCREENLOGIC INTERFACE FOR MACINTOSH® DESKTOP COMPUTERS IS NOT COMPATIBLE WITH 64BIT SPEED MACINTOSH CATALINA OPERATING SYSTEM. CUSTOMERS WHO UPDATE THEIR MAC® DESKTOP COMPUTERS TO THE NEW CATALINA MACOS WILL NO LONGER BE ABLE TO USE SCREENLOGIC DESKTOP INTERFACE

CALIFORNIA PROPOSITION 65 WARNING

▲ **WARNING:** Cancer and Reproductive Harm.
▲ **AVERTISSEMENT:** Peut Causer le Cancer et des Dommages au Système Reproducteur.
▲ **ADVERTENCIA:** Cáncer y Daño Reproductivo.

www.p65warnings.ca.gov
P65BTR.A

SCREENLOGIC2® INTERFACE (CONT'D)

CONNECTION DIAGRAM

ScreenLogic2 Interface allows you to control the key functions of your pool and spa using the IntelliTouch and EasyTouch control systems, using controllers such your Android® and iOS® device, Web browsers on Mac® and PC computers. The ScreenLogic Bundle conveniently includes the Protocol Adapter (520500 and the ScreenLogic Interface Wireless Connection Kit (522620).

ScreenLogic2 Interface is easy to setup. A wireless connection kit is provided to eliminate the need to run cable where impossible or impractical to do so.

Personal Computer - A PC or Laptop. Connects to a wireless router and the ScreenLogic2 Interface Protocol adapter for control of IntelliTouch and EasyTouch Automation pool/spa systems. Requires a PC/Laptop (Windows XP® or later) with Ethernet/RJ45 adapter installed.

Indoor Control Panel - This control panel for IntelliTouch and EasyTouch systems consists of a backlit LCD and connects into the Load Center for control of IntelliTouch or EasyTouch pool and spa systems.

MobileTouch® Wireless or EasyTouch Wireless Remote - This wireless control panel has a backlit LCD. Receives and transmits commands via the Transceiver antenna located at the Load Center.

Existing Wireless Router - Connects to the PC or Laptop via Ethernet connection.

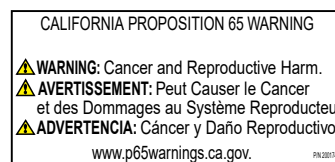
Protocol Adapter - Connects to wireless router via Ethernet connection and to Personality board (Load/Power Center) via a four-wire 22-AWG cable or provided wireless connection kit.

IntelliTouch or EasyTouch Automation Load Center or Power Center - The main control center, located at the equipment pad controls pump, heater, and light relays. It receives commands via Protocol adapter, and wireless and wired control panels connected to the Personality board.

MobileTouch Wireless and EasyTouch Wireless Remote Transceiver Antenna - This antenna sends and receives commands to and from the MobileTouch Wireless control panel.

Windows XP® is a registered trademark of Microsoft Corporation.

NOTE: THE PENTAIR SCREENLOGIC INTERFACE FOR MACINTOSH® DESKTOP COMPUTERS IS NOT COMPATIBLE WITH 64BIT SPEED MACINTOSH CATALINA OPERATING SYSTEM. CUSTOMERS WHO UPDATE THEIR MAC® DESKTOP COMPUTERS TO THE NEW CATALINA MACOS WILL NO LONGER BE ABLE TO USE SCREENLOGIC DESKTOP INTERFACE



INTELLITOUCH® AUTOMATION SYSTEMS

ADVANCED AUTOMATION SYSTEMS FOR POOL AND SPA

TRADEGRADE



Featured Highlights

- UltraTemp® Heat Pump Cooling Support
- SpaCommand® Spa-Side Remote Control of IntelliFlo® Pump
- MagicStream® Laminar support
- IntelliChem® Controller support
- ColorVision® Bubbler support

IntelliTouch Automation offers superior control systems from small to the most ambitious pool and spa designs including water features and spectacular lighting effects. IntelliTouch Automation Systems offer innovative technology and a wide range of wireless and wired control panels that are easy to program with simple menus to enable pool owners to create and change programs without complication. Add a ScreenLogic2 Interface to Pentair automation systems and gain pool access from practically anywhere at anytime using your Android® and iOS® device, Web browsers on Mac® and PC computers

IntelliTouch Automation offers advanced control technology to suite individual needs including:

- **ScreenLogic2® Interfaces** – Enables IntelliTouch Automation users to control their pool and spa features using wireless devices. ScreenLogic2 Interface systems now have advanced features such as remote monitoring and control over the internet and email alerts for specific events. Other wired interface options are also available to control pool and spa features via a desktop or laptop PC from within the home or on the road.
- **Salt Chlorine Feature** – Enables IntelliTouch Automation to control and monitor popular Salt Chlorine Generators including Pentair Aquatic Systems' IntelliChlor® Salt Generator, Goldline Controls®, AutoPilot®, and AutoClear® from many of the available user interfaces. Users do not have to adjust the salt chlorine generator at the equipment pad.
- **Support for IntelliFlo® Pumps** – The IntelliFlo Pump is the intelligent swimming pool pump that is changing all the rules. Adaptable to any application up 230 volts and 160 gallons per minute, you simply program the pump speed to suit the application. The IntelliFlo Pump then dials in the perfect power factor. IntelliFlo Pumps constantly monitor water flow and electrical current, making sure that the filtration system is operating at peak efficiency.
- **Advanced Color Lighting** – Enables users to experience a world of lighting animation when teamed up with IntelliBrite® 5g Color Lights, GloBrite® LED Lights, MagicStream Laminars, and ColorVision Bubblers. One of the most dramatic innovations is the Swimming Colors feature in which colors appear to swim through the water, pouring into one another.

Technical Note: Lights must be connected to separate Auxiliary Circuits for Swimming Colors to function.

IntelliTouch Automation systems offer the flexibility to handle from 5 to 40 circuits that can be used to control any combination of pumps, lights, water features, etc. As an added benefit, user-configurable circuits (Feature Circuits) can also be used to control these combinations of features and more. Feature Circuits even add Macro possibilities, where any number of circuits can be combined on a single button. This gives the pool owner the ability to set up “themes” with custom names all with one press of a single button.

IntelliTouch Automation users can also dim any high voltage incandescent light such as Pentair Amerlite® and SpaBrite® Lights up to eight levels using the IntelliTouch Automation Controller Dimmer Module (P/N 520406). The dimmer module supports multiple lights from 100 watts up to 1,000 watts and installs in a standard relay location. Any number of dimmers (up to 10 maximum) may be used with a maximum combined load of 4,000W in a single Load Center.

Goldline Controls® is a registered trademark of Hayward Industries, Inc.

AutoPilot® is a registered trademark of Aquacal AutoPilot, Inc.

AutoClear® is a registered trademark of Zodiac Pool Systems, Inc.

Android® is a trademark of Google LLC.

Macintosh and iOS are registered trademarks of Apple Inc. in the United States and/or other countries.

INTELLITOUCH® AUTOMATION ENCLOSURE KITS

ORDERING AN INTELLITOUCH AUTOMATION SYSTEM – STEP 1:

TRADEGRADE

Featured Highlights

- **Load Center** – Includes built-in sub panel (150 AMPS) breaker base capable of holding up to ten 1 inch breakers. Also includes five 25 AMP 3 HP relays, 120V/240V transformer with secondary side circuit protection. Multiple knockouts for 1/2 inch to 1-1/4 inch conduit are supplied as well as a GFCI receptacle side knock out. The Load Center provides ample space for all high and low voltage wiring needs.
- **Power Center** – Offers a smaller footprint than the Load Center. The Power Center does not include a circuit breaker base. Users should choose this enclosure if they already have existing circuit breakers/sub-panel for their equipment.



Power Center



Load Center
(Shown with Personality Kit)

Pentair Aquatic Systems' Load Center and Power Center features more knockouts and 150 Amps limit as well as space for 10 breakers on the Load Center. For added convenience, IntelliTouch Automation enclosures can be ordered and integrated with the IntelliChlor® Salt Chlorine Generator transformer so a separate power center is not required.

Ordering Information

Product	Description	3 HP Relays Std. / Max.	Number of Circuit Breaker Spaces	Transformer Voltage	Size
INTELLITOUCH AUTOMATION ENCLOSURE KITS WITH INTELLICHLOR TRANSFORMER					
521213	Load Center	5 / 10	10	115V / 230V	26 in. H x 17 in. W x 5-1/4 in. D
521214	Power Center	5 / 10	None	115V / 230V	20 in. H x 17 in. W x 5-1/4 in. D
INTELLITOUCH AUTOMATION ENCLOSURE KITS WITHOUT INTELLICHLOR TRANSFORMER					
521215	Load Center	5 / 10	10	115V / 230V	26 in. H x 17 in. W x 5-1/4 in. D
521216	Power Center	5 / 10	None	115V / 230V	20 in. H x 17 in. W x 5-1/4 in. D

CALIFORNIA PROPOSITION 65 WARNING
 ⚠ **WARNING:** Cancer and Reproductive Harm.
 ⚠ **AVERTISSEMENT:** Peut Causer le Cancer et des Dommages au Système Reproducteur.
 ⚠ **ADVERTENCIA:** Cáncer y Daño Reproductivo.
www.p65warnings.ca.gov PN 201714

See page 349 for replacement parts.

INTELLITOUCH® AUTOMATION PERSONALITY KITS

ORDERING AN INTELLITOUCH AUTOMATION SYSTEM – STEP 2:

TRADEGRADE

i5+3S Personality Kit
(for single body of water)



i9+3 Personality Kit
(shared equipment)



Featured Highlights

- **Shared Equipment:** Pool and spa combinations with shared filtration system – Pool owners can enjoy the convenience of motorized valves for water flow separation between pool and spa
- **Dual Equipment:** Pool and Spa Dual Sets of Equipment – The IntelliTouch Control System i10+3D provides advanced automation for a pool and spa using two separate sets of equipment. The IntelliTouch Automation Personality Kit controls ten pump and/or lighting circuits and two heaters.
- **Single Equipment:** Pool Only or Spa Only Applications – The IntelliTouch Automation i5+3S and i9+3S provide advanced automation for a single body of water

There are six Personality Kit models available for various pool and spa combinations. Each Personality Kit provides complete pool and spa controls that are fully programmable. Every circuit has a countdown timer, ability to do one-time-use programs, salt generation interface for popular salt chlorinators, spectacular colored pool/spa lighting effects, along with solar control capabilities. In addition, there are various options available including light dimming, smart home interface, spa-side remote switches, valve actuators for water flow control, additional indoor wired or wireless user interface control panels, and even telephone remote control.

Ordering Information

Product	Model Number	High Voltage Circuits	3 HP Relays Kit / Total *	Feature Circuits	Valve Actuators Std. / Opt. / w/Valve Expansion Module**
POOL/SPA – SHARED EQUIPMENT					
<i>Pump, Filter & Heater shared between Pool and Spa by two automated 3-Way Valves.</i>					
521219	i5+3	Filter + 4 Aux	0 / 5	10	2 / 4 / 7
521220	i7+3	Filter + 6 Aux	2 / 7	10	2 / 4 / 7
521221	i9+3	Filter + 8 Aux	4 / 9	10	2 / 4 / 7
POOL/SPA – DUAL EQUIPMENT					
<i>Two Pumps, Two Filters & Two Heaters for separate Pool and Spa.</i>					
521222	i10+3D	2 Filters + 8 Aux	5 / 10	10	0 / 2 / 5
POOL OR SPA – SINGLE BODY OF WATER					
<i>Pump, Filter & Heater for an individual Pool or Spa.</i>					
521223	i5+3S	Filter + 4 Aux	0 / 5	10	0 / 2 / 5
521224	i9+3S	Filter + 8 Aux	4 / 9	10	0 / 2 / 5
EXPANSION KITS					
521225	i5X Expansion Kit		0 / 5	0	0 / 2 / 5
521226	i10X Expansion Kit		5 / 10	0	0 / 2 / 5

* Load Center or Power Center, purchased separately, includes five 3 HP relays.

** Valve expansion module adds three additional valves to be used (P/N 520285).

Note: i5 and i5S are now i5+3 and i5+3S.

Note: Valve actuators now come with 25 ft. cables for wiring convenience.

CALIFORNIA PROPOSITION 65 WARNING

▲ **WARNING:** Cancer and Reproductive Harm.
▲ **AVERTISSEMENT:** Peut Causer le Cancer et des Dommages au Système Reproducteur.
▲ **ADVERTENCIA:** Cáncer y Daño Reproductivo.

www.p65warnings.ca.gov
PN 20171A

See page 349 for replacement parts.

INTELLITOUCH® AUTOMATION INTERFACE KITS

ORDERING AN INTELLITOUCH AUTOMATION SYSTEM – STEP 3:

TRADEGRADE



MobileTouch® Wireless Remote



Indoor Control Panel

One or more of the following Standard or ScreenLogic2® Interface Kits can be used with IntelliTouch Automation Personality Kits. For example, use an Android® and iOS® device, Web browsers on Mac® and PC computers and Indoor Control Panels can be mixed or matched throughout the home. ScreenLogic2 Interface systems now have advanced features such as remote monitoring and control over the internet and email alerts for specific events. The Interface options include:

Ordering Information

Product	Description
STANDARD INTERFACES	
520138	Indoor Control Panel – 3-3/4 in. monochrome backlit LCD. Wired to the Load or Power Center.
520906	MobileTouch Wireless – Wireless control panel with transceiver. 3-3/4 in. monochrome backlit LCD.
SCREENLOGIC2 INTERFACES	
522104	ScreenLogic Bundle (includes 520500 and 522620 in one box).
520500	Protocol Adapter Only
SCREENLOGIC2 INTERFACE ACCESSORIES	
522620	Wireless Connection Kit Complete, antenna and transceiver

CALIFORNIA PROPOSITION 65 WARNING
 ⚠️ **WARNING:** Cancer and Reproductive Harm.
 ⚠️ **AVERTISSEMENT:** Peut Causer le Cancer et des Dommages au Système Reproducteur.
 ⚠️ **ADVERTENCIA:** Cáncer y Daño Reproductivo.
www.p65warnings.ca.gov PR 201514

INTELLITOUCH® AUTOMATION ACCESSORIES

TRADEGRADE



SpaCommand® Spa-Side Remote (also available in black)



i-Link Home Automation Adapter



IntelliTouch Controller Dimmer Module



Outdoor Control Panel (installs in the Load or Power Center)



Load Center

CALIFORNIA PROPOSITION 65 WARNING

⚠️ **WARNING:** Cancer and Reproductive Harm.
 ⚠️ **AVERTISSEMENT:** Peut Causer le Cancer et des Dommages au Système Reproducteur.
 ⚠️ **ADVERTENCIA:** Cáncer y Daño Reproductivo.
www.p65warnings.ca.gov

Ordering Information

Product	Description
INTELLITOUCH ACCESSORIES	
520442	i-Link Home Automation Adapter Interface for IntelliTouch Automation – Enables homeowners using Home Automation systems such as Elan Home Systems®, Crestron®, AMX®, Vantage®, Lutron®, Control4® and others to control IntelliTouch Automation basic features via their Home Automation control interface. Call for other Home Automation system compatibility.
520406	IntelliTouch Controller Dimmer Module – Enables users to dim their Amerilite® and SpaBrite® Lights up to eight levels (30% to 100%). Each dimmer module supports multiple lights from 100 watts up to 1,000 watts combined load using 120VAC (220VAC not supported). For example, a 500W and a 100W Amerilite Light (total 600W) could be used with one dimmer module. Installs in a standard relay location. Any number of dimmers (up to 10 maximum) may be used with a maximum combined load of 4,000W. Note: Expansion Center Kit(s) may be required to house multiple dimmer modules (models i5x (P/N 521225) or i10x (P/N 521226). The IntelliTouch Controller Dimmer Module is only designed to be used with pool and spa lights and not backyard lighting systems.
520403	Dual Heater Kit – This kit is for use with IntelliTouch systems and enables homeowners to utilize a gas heater and heat pump. The IntelliTouch system determines which heat source is appropriate given the conditions. This kit disables most solar heating controls. The kit includes a heater relay and temperature sensor.
SPACOMMAND TEN-FUNCTION SPA-SIDE REMOTE	
521178	SpaCommand Remote, White with 150 ft. cable
521176	SpaCommand Remote, Black with 150 ft. cable
521179	SpaCommand Remote, White with 250 ft. cable
521177	SpaCommand Remote, Black with 250 ft. cable
521180	Mudbox Accessory for recessing SpaCommand Remote into deck or tile. Includes cover plate and bezel.

Product	Description
ACCESSORIES FOR INTELLITOUCH SYSTEMS	
521485	IntelliValve® Valve Actuator
520199	1000 ft. cable, four conductor, 22 AWG
520106	3HP Relay for IntelliTouch
RCS1	Additional Spa Jets Switch (for multiple jet pumps)
ESO3	Emergency Shut-Off Switch w/Audible Alarm
520138	Indoor Control Panel for IntelliTouch (White), additional
520967	Light Direct Connect Kit (eliminates need for j-box)
6870002	Telephone remote control for any single circuit, usually Spa mode

Product	Description
ACCESSORIES FOR INTELLITOUCH SYSTEMS	
520272	Air & Water Temperature Sensor (white)
522101	Solar Temperature Sensor (black)
520198	Two-Speed 3HP Relay
263045	Valve Actuator
520285	Valve module for adding up to 3 valve actuators
520818	Com Port Expansion Module
AI101	Surge Suppressor for 115V transformer wiring
AI201	Surge Suppressor for 230V transformer wiring

Elan Home Systems® is a registered trademark of Core Brands, LLC.
 Crestron® is a registered trademark of Crestron Electronics, Inc.
 AMX® is a registered trademark of AMX, L.L.C., LTD.

Vantage® is a trademark of Legrand Home Systems, Inc.
 Lutron® is a registered trademark of Lutron Electronics, Inc.
 Control4® is a registered trademark of Control4 Corp.

INTELLITOUCH® AUTOMATION ACCESSORIES (CONT'D)

Featured Highlights

- **MobileTouch® Wireless Remote Accessory** – Allows any IntelliTouch Automation System to have a wireless remote with all capabilities of the indoor control panel. With an average range of 500 feet, pool owners have system control anywhere around the home or yard. Installation is simple, and requires no high voltage wiring. Powered by a replaceable rechargeable lithium-ion battery. Includes an AC/DC adapter for recharging. Water resistant, wireless user interface control panel with high-resolution 3-3/4 in. monochrome backlit LCD. Rechargeable lithium-ion battery. Easy to use control buttons with customizing feature for naming circuits.
- **iS4 Four-Function Spa-side Remote** – Provides control of any four functions, such as pool, spa, auxiliary circuits (AUX 1-8), Feature Circuits, Macros, Heater Enable and Heat Boost. Available in White, Black and Gray. Four cable lengths are available:
- **Expansion Kits** – Models i5X and i10X, offer five or ten additional Auxiliary Circuits for systems i9+3, i9+3S and i10+3D. Each IntelliTouch Automation Expansion Kit requires a Load Center (P/N 521215) or Power Center (P/N 521216). Up to three Expansion Kits and Load or Power Centers may be added to a system, for control of up to 38 Auxiliary Circuits (40 auxiliary circuits for i10+3D).



CALIFORNIA PROPOSITION 65 WARNING
 ⚠️ **WARNING:** Cancer and Reproductive Harm.
 ⚠️ **AVERTISSEMENT:** Peut Causer le Cancer et des Dommages au Système Reproducteur.
 ⚠️ **ADVERTENCIA:** Cáncer y Daño Reproductivo.
 www.p65warnings.ca.gov. P/N 220174

Ordering Information

Product	Description
MOBILETOUCH WIRELESS REMOTE ACCESSORIES	

520906	MobileTouch Wireless Accessory Kit includes wireless remote and transceiver module with antenna.
520907	Additional MobileTouch Wireless remote only

Product	Color	Product	Color	Product	Color	Product	Color
iS4 REMOTE WITH 50 FT. CABLE		iS4 REMOTE WITH 100 FT. CABLE		iS4 REMOTE WITH 150 FT. CABLE		iS4 REMOTE WITH 250 FT. CABLE	
521883	White	521885	White	521887	White	521889	White
521884	Gray	521886	Gray	521888	Gray	521890	Gray
521891	Black	521892	Black	521893	Black	521894	Black

Product	Description	3 HP Relays Kit / Total *	Feature Circuits	Valve Actuators Std. / Opt. / w/Module
EXPANSION KITS				
521225	i5X Expansion Kit	0 / 5	0	0 / 2 / 5
521226	i10X Expansion Kit	5 / 10	0	0 / 2 / 5

* Expansion Kit requires Load or Power Center to be purchased separately, which includes five 3HP relays.

INTELLITOUCH® AUTOMATION SALES & SERVICE TOOLS

Product	Description
INTELLITOUCH AUTOMATION SALES AND SERVICE TOOLS	
520396	Service Panel for IntelliTouch Automation – If access to the Indoor Control Panel is not available, this service panel can be used by service personnel to help setup, customize, or troubleshoot an IntelliTouch Automation system from the control panel at the equipment pad. Includes an attached 6-foot cable for easy connection to the Personality board.
520456	IntelliTouch Automation Indoor Control Panel POP Display – A non-functional Indoor Control Panel. Make sure all of your dealers have plenty of these for their showrooms. Intended for display and product promotion purposes only.
520400	IntelliTouch Automation Laptop Trainer – Perfect for use in dealer showrooms or by sales personnel to demonstrate complete system functionality to prospective customers.
520352	IntelliTouch Automation Demo Unit – Perfect for use in dealer showrooms or by sales personnel to demonstrate IntelliTouch Automation system functionality with Indoor Control Panel interface option to prospective customers. Fully functioning control panel.
520957	Automation Flash Programming Kit
520461	Quick Reference Card – Credit card size reference guide. Includes step-by-step instructions to set a House Address for Indoor and MobileTouch® control panels, iS10 Spa-Side remote, and Expansion Load or Power Center.



IntelliTouch Automation Demo Unit



IntelliTouch Automation Laptop Trainer



IntelliTouch Automation ICP POP Display



IntelliTouch Automation Service Panel



Quick Reference Card

EASYTOUCH® CONTROL SYSTEMS

POOL/SPA CONTROL SYSTEMS

TRADEGRADE



EasyTouch System



521885 - iS4 Remote Control



520547 - EasyTouch wireless for 8 circuit systems

Featured Highlights

EasyTouch Features include:

- UltraTemp® Heat Pump integration
- Supports 2 IntelliFlo® Pumps
- Supports 8 Feature circuits
- MagicStream® Laminar support
- IntelliChem® Controller support
- Works with ScreenLogic2® Interface
- IntelliBrite® Pool and Spa Light support
- SpaCommand® Spa-Side Remote support and control of IntelliFlo® Pump
- Optional Controllers for added convenience: Indoor Control Panel (for 4 or 8 circuit systems), a Wireless controller (for 4 or 8 circuit systems), a 4-button spa side remote, and SpaCommand spa-side remote.
- All functions controlled with easy, one-button access from the self-contained load center or optional controllers. No need to memorize operating sequences, open and close valves, or reset time clocks and thermostats.
- Built-in diagnostics include automatic verification of the display, microprocessor, switches, indicators, relay outputs, valve outputs, sensor inputs, and communication ports as well as a diagnostic screen that reports failures for troubleshooting and repair purposes
- Includes 150 amp breaker base with space for ten 1-inch breakers
- UL and cUL approved
- Dimensions: 26 in. H x 17 in. W x 5-1/4 in. D

The EasyTouch Control System family offers control for homeowner's looking for an easy to use pool/spa control system. EasyTouch allows full control of all pool/spa features including advanced features such as colored lighting and IntelliChlor® Salt Chlorine Generator support. Every EasyTouch system includes an easy to use control panel that is built into the outdoor enclosure. This control panel allows for full system setup, programmability, and everyday operation. In addition, there are several other available remote interface choices. The EasyTouch systems come in a variety of configurations: Pool only or Spa only, Pool/Spa with shared equipment, and also integrated with Pentair Aquatic Systems' IntelliChlor Salt Chlorine Generator.

CALIFORNIA PROPOSITION 65 WARNING

⚠ **WARNING:** Cancer and Reproductive Harm.
 ⚠ **AVERTISSEMENT:** Peut Causer le Cancer et des Dommages au Système Reproducteur.
 ⚠ **ADVERTENCIA:** Cáncer y Daño Reproductivo.
www.p65warnings.ca.gov

Ordering Information

Product	Model
EASYTOUCH SYSTEMS WITHOUT INTELLICHLOR TRANSFORMER BUILT-IN	
520591	EasyTouch 4P – Single Body (base system - no ICP, no actuators)
520703	EasyTouch 8P – Single Body (base system - no ICP, no actuators)
520538	EasyTouch 4 – Pool/Spa (base system - no ICP, 2 actuators)
520540	EasyTouch 8 – Pool/Spa (base system - no ICP, 2 actuators)
EASYTOUCH SYSTEMS WITH INTELLICHLOR TRANSFORMER AND INTELLICHLOR CELL	
520592	EasyTouch 4PSC-IC20 – Single Body (includes SCG integration & IC20 cell)
520593	EasyTouch 4PSC-IC40 – Single Body (includes SCG integration & IC40 cell)
520704	EasyTouch 8PSC-IC20 – Single Body (includes SCG integration & IC20 cell)
520705	EasyTouch 8PSC-IC40 – Single Body (includes SCG integration & IC40 cell)
520542	EasyTouch 4SC-IC20 – Pool/Spa (includes SCG integration & IC20 cell, 2 actuators)
520543	EasyTouch 4SC-IC40 – Pool/Spa (includes SCG integration & IC40 cell, 2 actuators)
520544	EasyTouch 8SC-IC20 – Pool/Spa (includes SCG integration & IC20 cell, 2 actuators)
520545	EasyTouch 8SC-IC40 – Pool/Spa (includes SCG integration & IC40 cell, 2 actuators)
521150	EasyTouch 8SC-IC60 – Pool/Spa (includes SCG integration & IC60 cell, 2 actuators)
CANADIAN EASYTOUCH SYSTEMS	
520914	EasyTouch 4P-C – Single Body (salt ready system, cell must be ordered separately)
520915	EasyTouch 8-C – Pool/Spa (salt ready system, cell must be ordered separately)
520911	IntelliChlor IC20 cell for Canada
520912	IntelliChlor IC40 cell for Canada

See page 352 for replacement parts.

EASYTOUCH® CONTROL SYSTEMS ACCESSORIES

POOL/SPA CONTROL SYSTEMS

Product	Description	Product	Description
ACCESSORIES FOR EASYTOUCH SYSTEMS			
521485	IntelliValve® Valve Actuator	521885	iS4 Spa-side Remote, White 100 ft.
522104	ScreenLogic Bundle (includes 520500 and 522620)	AI101	Surge Suppressor for 115V transformer wiring
520500	Protocol Adapter Only	AI201	Surge Suppressor for 230V transformer wiring
522620	Wireless Connection Kit Complete, Antenna and Transceiver	520272	Air & Water Temperature Sensor (white)
520639	ScreenLogic High Power Wireless Link for large properties	522101	Solar Temperature Sensor (black)
520660	EasyTouch Laptop trainer	520198	Two-Speed 3HP Relay
520199	1000 ft. COM cable, four conductor, 22 AWG	263045	Valve Actuator
520106	3HP Relay for IntelliTouch or EasyTouch	520818	COM Port Expansion Module with 1 ft. cable
520548	EasyTouch ICP (Indoor Control Panel) for 4 circuit systems	RCS1	Additional Spa Jets Switch (for multiple jet pumps)
520549	EasyTouch ICP (Indoor Control Panel) for 8 circuit systems	ESO3	Emergency Shut-Off Switch w/Audible Alarm
520546	EasyTouch Wireless Controller Kit for 4 circuit system, including transceiver	520967	Light Direct Connect Kit (eliminates need for j-box)
520547	EasyTouch Wireless Controller Kit for 8 circuit system, including transceiver	521178	SpaCommand Remote, White with 150 ft. cable
520588	IntelliChlor® Sanitizer Pass-through Cell for Winter or start-up	521176	SpaCommand Remote, Black with 150 ft. cable
520594	IntelliChlor Diagnostic Wand	521179	SpaCommand Remote, White with 250 ft. cable
520595	IntelliChlor replacement unions (contains 2 o-rings, 2 couplers, 2 nuts)	521177	SpaCommand Remote, Black with 250 ft. cable
520670	IntelliChlor acid washing kit (contains closed end union cap, o-ring, & coupling nut)	521180	SpaCommand Remote Mudbox Accessory
520734	IntelliChlor 15 foot extension power cord	521500	SpaCommand Replacement Plastics (black & white trim ring, mounting bracket, screws and O-ring)
520736	IntelliChlor Flow Switch replacement kit		

CALIFORNIA PROPOSITION 65 WARNING
 ⚠️ **WARNING:** Cancer and Reproductive Harm.
 ⚠️ **AVERTISSEMENT:** Peut Causer le Cancer et des Dommages au Système Reproducteur.
 ⚠️ **ADVERTENCIA:** Cáncer y Daño Reproductivo.
www.p65warnings.ca.gov PN 202124



520818 - COM Port Expansion Module



521885 - iS4 Remote Control



520548 - EasyTouch ICP for 4 circuit systems
 520549 - EasyTouch ICP for 8 circuit systems
 520546 - EasyTouch wireless for 4 circuit systems
 520547 - EasyTouch wireless for 8 circuit systems



520554 - IntelliChlor IC20 Cell
 520555 - IntelliChlor IC40 Cell
 521105 - IntelliChlor IC60 Cell



SpaCommand® Remote
TRADEGRADE

See page 352 for replacement parts.

EASYTOUCH® PL4/PSL4 CONTROL SYSTEMS

ENTRY LEVEL POOL/SPA CONTROL SYSTEMS

TRADEGRADE



EasyTouch PL4/PSL4 System

The EasyTouch PL4/PSL4 Control Systems offers a new level of control for homeowner's looking for an affordable, easy to use pool/spa control system. EasyTouch PL4/PSL4 allows control pools with a smaller number of features including pumps, filters, lighting, water features, spa control, heaters and heat pumps, chemical control and sanitizing. The EasyTouch PL4 control system is a 4-circuit system, designed for a single body of water. The EasyTouch PLS4 is designed to control a pool/spa combination. Both options are available bundled with our ScreenLogic Interface Kit that allows for remote operation on a computer, smartphone, mobile digital device or right at the Power Center on the equipment pad. For more advanced features and up to 8 feature circuits, please see previous page for the EasyTouch Control System options.

CALIFORNIA PROPOSITION 65 WARNING

⚠ **WARNING:** Cancer and Reproductive Harm.
 ⚠ **AVERTISSEMENT:** Peut Causer le Cancer et des Dommages au Système Reproducteur.
 ⚠ **ADVERTENCIA:** Cáncer y Daño Reproductivo.
www.p65warnings.ca.gov

Featured Highlights

EasyTouch PL4/PSL4 Features include:

- Supports 1 IntelliFlo® Pump
- Supports 2 Feature circuits
- Supports 4 IntelliFlo Pump speeds
- Supports 4 scheduled programs
- Supports ScreenLogic2® Interface
- IntelliChem® Chemical Controller support
- IntelliChlor® Sanitizer support (must use optional 520556 power center)
- Supports IntelliBrite® Lights, MagicStream® Laminars and ColorVision® Bubblers

Note: EasyTouch PL4/PSL4 Systems use the power center enclosure that does not contain a breaker base.



522464 - EasyTouch PS4/PSL4 wireless for 4 circuit systems



521885 - iS4 Remote Control

Ordering Information

Product	Model
EASYTOUCH PL4/PSL4 SYSTEMS	
522352	EasyTouch PL4 - Single Body (base system - no ICP, no actuators)
522353	EasyTouch PL4 - Single Body with ScreenLogic Wireless Bundle (base system - no ICP, no actuators)
522354	EasyTouch PSL4 - Pool/Spa (base system - no ICP, 2 actuators)
522355	EasyTouch PSL4 - Pool/Spa with ScreenLogic Wireless Bundle (base system - no ICP, 2 actuators)
ACCESSORIES	
522464	EasyTouch PL4/PSL4 Wireless Remote
522465	EasyTouch PL4/PSL4 Indoor Control Panel
522104	ScreenLogic Wireless Bundle
520639	ScreenLogic High Power Wireless Link for large properties

EASYTOUCH® PS4/PSL4 CONTROL SYSTEMS

ACCESSORIES

Product	Description	Product	Description
ACCESSORIES FOR EASYTOUCH PS4/PSL4 SYSTEMS			
521485	IntelliValve® Valve Actuator	520736	IntelliChlor Flow Switch Replacement Kit
522464	EasyTouch PL4/PSL4 Wireless Remote	521885	iS4 Spa-side Remote, White 100 ft.
522465	EasyTouch PL4/PSL4 Indoor Control Panel	AI101	Surge Suppressor for 115V transformer wiring
522104	ScreenLogic Bundle (includes 520500 and 522620)	AI201	Surge Suppressor for 230V transformer wiring
520500	Protocol Adapter Only	520272	Air & Water Temperature Sensor (white)
522620	Wireless Connection Kit Complete, antenna and transceiver	522101	Solar Temperature Sensor (black)
520199	1000 ft. COM cable, four conductor, 22 AWG	520198	Two-Speed 3HP Relay
520106	3HP Relay for IntelliTouch or EasyTouch	263045	Valve Actuator
520588	IntelliChlor Sanitizer Pass-through Cell for Winter or start-up	520818	COM Port Expansion Module with 1 ft. cable
520594	IntelliChlor Diagnostic Wand	RCS1	Additional Spa Jets Switch (for multiple jet pumps)
520595	IntelliChlor replacement unions (contains 2 o-rings, 2 couplers, 2 nuts)	ESO3	Emergency Shut-Off Switch w/Audible Alarm
520670	IntelliChlor acid washing kit (contains closed end union cap, o-ring, & coupling nut)	520967	Light Direct Connect Kit (eliminates need for j-box)
520734	IntelliChlor 15 foot extension power cord		

CALIFORNIA PROPOSITION 65 WARNING
 ⚠️ **WARNING:** Cancer and Reproductive Harm.
 ⚠️ **AVERTISSEMENT:** Peut Causer le Cancer et des Dommages au Système Reproducteur.
 ⚠️ **ADVERTENCIA:** Cáncer y Daño Reproductivo.
www.p65warnings.ca.gov PA201714



520556 - IC20, IC40, IC60 Power Center



520818 - COM Port Expansion Module



521885 - iS4 Remote Control



522465 - EasyTouch PS4/PSL4 ICP for 4 circuit systems



522464 - EasyTouch PS4/PSL4 wireless for 4 circuit systems



520554 - IntelliChlor IC20 Cell
 520555 - IntelliChlor IC40 Cell
 521105 - IntelliChlor IC60 Cell



523009 - iChlor® 30 Cell Only
 523010 - iChlor 15 Cell Only

See page 352 for replacement parts.

INTELLICONNECT®

CONTROL AND MONITORING SYSTEM

TRADEGRADE



IntelliConnect Control and Monitoring System

Featured Highlights

- Enables smart connections to any of these Pentair devices: IntelliFlo® or IntelliPro® Pumps, IntelliChlor® or iChlor® Sanitizers
- Allows for two relay connections to equipment like pool or landscape lights, pool cleaner booster pumps, or single-speed pumps including competitive models
- Provides real-time information on the status of the filtration systems and other pool equipment
- Easily sets up and schedules automatic operation of connected equipment

IntelliConnect allows pool owners to monitor and control various devices, including pumps, lights, sanitizers and more, all through an app on a smart device, for easy, convenient control. IntelliConnect provides real-time information on the status of the filtration system and other pool equipment. Pool owners can command the system to work a little harder when extra filtration is needed.

Product	Description
INTELLICONNECT CONTROL AND MONITORING SYSTEM	

523317	IntelliConnect Control and Monitoring System
--------	--



IntelliFlo Pump Speed



IntelliChlor Chlorine Output



CALIFORNIA PROPOSITION 65 WARNING

⚠️ **WARNING:** Cancer and Reproductive Harm.
 ⚠️ **AVERTISSEMENT:** Peut Causer le Cancer et des Dommages au Système Reproducteur.
 ⚠️ **ADVERTENCIA:** Cáncer y Daño Reproductivo.
www.p65warnings.ca.gov PA 201514

COMPOOL® CONTROL SYSTEMS TO EASYTOUCH® AUTOMATION UPGRADE

TRADEGRADE

Featured Highlights

- Works with ScreenLogic2® Interface
- Allows easy upgrade to EasyTouch® Automation functionality for the following Compool® Systems: CP3400, CP3600, CP3800, CP3810, CP1000*, CP2000*, CP3000, CP30*, CP100*, LX100EZT*, LX100EZTL*, 520348*, 520349*, TimeMaster* with LX-10 power center
- Filter pump + 7 Auxiliaries
- AUX Extra Support
- Works with EasyTouch Automation Indoor Control Panel (520549) and EasyTouch Wireless Remote (520547)
- Supports 2 VS or 2 VF IntelliFlo® Pumps, iS4 and SpaCommand® Spa Side Remotes, IntelliChlor® Salt Chlorine Generator, IntelliBrite® LED Lights, UltraTemp® Heat Pumps, and MagicStream® Laminar Jets
- 8 Feature Circuits
- Supports IntelliChem® Chemical Controller pH/ORP Control System**

* Requires Compool System to EasyTouch Automation Upgrade System with New System Transformer Kit (P/N 521247).

** Requires v2.100 firmware or higher. Visit www.pentairpool.com for the latest firmware updates.



Compool to EasyTouch Upgrade

CALIFORNIA PROPOSITION 65 WARNING

⚠ **WARNING:** Cancer and Reproductive Harm.
 ⚠ **AVERTISSEMENT:** Peut Causer le Cancer et des Dommages au Système Reproducteur.
 ⚠ **ADVERTENCIA:** Cáncer y Daño Reproductivo.
www.p65warnings.ca.gov PN2017A

Ordering Information

Product	Description	Product	Description
COMPOOL TO EASYTOUCH UPGRADE			
521107	Compool to EasyTouch Upgrade without transformer Kit		
521247	Compool to EasyTouch Upgrade with new system transformer Kit		
COMPOOL TO EASYTOUCH UPGRADE ACCESSORIES			
522104	ScreenLogic Bundle (includes 520500 protocol adapter and 522620 wireless connection kit)	522101	Solar Temp Sensor (black)
520500	Protocol Adapter Only	520554	IntelliChlor IC20 Cell*
522620	Wireless Connection Kit Complete, antenna and transceiver	520555	IntelliChlor IC40 Cell*
520549	EasyTouch Indoor Control Panel (8 circuits)	521105	IntelliChlor IC60 Cell*
520547	EasyTouch Wireless Remote (8 circuits)	520556	IntelliChlor Power Center
521885	iS4 Spa-side Remote, White 100 ft.	523009	iChlor 30 Cell Only-Retail
521178	SpaCommand Remote, White, 150 ft. cable	523010	iChlor 15 Cell Only-Retail
521179	SpaCommand Remote, White, 250 ft. cable	523080	iChlor 15 PWR PCK 110 Bundle
521176	SpaCommand Remote, Black, 150 ft. cable	523081	iChlor 30 PWR CTR Bundle
521177	SpaCommand Remote, Black, 250 ft. cable	523108	iChlor 30 Cell Only - Canada
521180	Mudbox Accessory	523109	iChlor 15 PWR PCK Bundle - Canada
263045	Valve Actuator	RLYLXD	Relay Kit for 2 Speed Pumps
521485	IntelliValve® Valve Actuator	RLYLX3HP	Additional 25 Amp, 3 HP Power Relay
520272	Air & Water Temp Sensor (black)	521099Z	Compool to EasyTouch Replacement Circuit Board
		520818	COM port expansion Module

*** Requires the 520556 IntelliChlor® Salt Chlorine Generator Power Center when used with the Compool to EasyTouch System.

See pages 353– 355 for replacement parts.

SUNTOUCH® CONTROL SYSTEM

TRADEGRADE



SunTouch System

SunTouch Control System is the easy way to keep your pool and spa clean, comfortable, and ready to enjoy. With the touch of a few buttons, you can quickly program your pool and spa filtration and heating cycles to fit your schedule. And it's just as simple to change programs or switch to manual mode for those unplanned, spontaneous plunges. With SunTouch Control System, your pump and heater automatically run whenever you want, for as long as you want so your pool and spa are always warm and inviting.

In addition to controlling your pump and heater, the standard SunTouch Control System package has the ability to schedule operation of additional functions, such as your lights or automatic cleaner. You can also add a third valve actuator to automate a solar heating system or water feature.

Featured Highlights

- One touch function – no complicated routine to memorize
- Ability to program pool and spa and two additional features. All circuits in the system can control four operating schedules (maximum six total schedules per system)
- Supports 4 feature circuits for programming convenience
- Compatible with gas or electric heaters, heat pumps, and solar systems
- Temperature control can be set in one degree increments
- Supports one IntelliFlo® Pump and IntelliChlor® Salt Chlorine Generator

CALIFORNIA PROPOSITION 65 WARNING
 ⚠️ **WARNING:** Cancer and Reproductive Harm.
 ⚠️ **AVERTISSEMENT:** Peut Causer le Cancer et des Dommages au Système Reproducteur.
 ⚠️ **ADVERTENCIA:** Cáncer y Daño Reproductivo.
www.p65warnings.ca.gov P650154

Ordering Information

Product	Description
SUNTOUCH CONTROL SYSTEMS	
520820	SunTouch Control System (pool/spa) – Includes 2 actuators, 2 temp sensors (20 ft. water, 40 in. air) and 3 relays
520819	SunTouch Solar Control System – Includes 1 actuator, 1 solar valve, and 2 temp sensors (20 ft. water, 40 in. solar)
520859	SunTouch Single Body Control System – Includes temp sensors (20 ft. water, 40 in. air) and 3 relays
520856	SunTouch Solar with 3-way valve – Includes 1 actuator, 3-way valve, and 2 temp sensors (20 ft. water, 40 in. solar)
520857	SunTouch Booster Pump Version – Includes 1 relay, and 2 temp sensors (20 ft. water, 40 in. solar)
ACCESSORIES FOR SUNTOUCH SOLAR CONTROL SYSTEMS	
520106	3HP Relay
520272	Air & Water Temperature Sensor (white)
522101	Solar Temperature Sensor (black)
520198	2 Speed Pump Relay
ES03	Emergency Shut-Off Switch w/Audible Alarm
521485	IntelliValve® Valve Actuator
263045	Valve Actuator
520967	Light Direct Connect Kit (eliminates need for J-box)

SOLARTOUCH®

SOLAR CONTROL SYSTEM

TRADEGRADE



Featured Highlights

- Digital calibration of water and solar temperature in one degree increments
- Integrates with **IntelliFlo® and IntelliPro® Variable Speed pumps**
- Set pool temperatures and solar temperature differentials with the touch of a button
- Solar valve automatically drains the solar collectors when pump shuts off
- Durable PTFE seal is maintenance-free for years of dependable service
- LCD display provides sharp, clear readings
- LED indicator lights confirm SolarTouch automation is working. Service indicator LED shows when attention is required.
- Motorized valve actuator is built to last with sturdy steel gears; highly efficient low-voltage motor; service switch for flow direction
- Weatherproof composite enclosure
- Nocturnal cooling and recirculation freeze protection with filter-pump timer override
- 3-year warranty



SolarTouch System

The SolarTouch Solar Control System offers full digital control for the most precise, efficient, swimming pool heating possible. The digital thermostat is set with the touch of a button and will monitor the temperature of the pool water and solar collectors. SolarTouch Control System integrates with IntelliFlo and IntelliPro Variable Speed pumps for unparalleled efficiency.

Ordering Information

PRODUCT	DESCRIPTION
SOLARTOUCH SOLAR CONTROL SYSTEM	
521592	SolarTouch Solar Control System with 3-way solar drain down valve, valve actuator, and 2 temp sensor (20 ft. water, 40 in. solar)
521632	SolarTouch Solar Control System with 3-way Valve, valve actuator and 2 temp sensors (20 ft. water, 40 in. solar)
521590	SolarTouch Solar Control only
521942	SolarTouch Booster Pump
521606	SolarTouch Flash Programmer (USB)

CALIFORNIA PROPOSITION 65 WARNING
 ⚠️ **WARNING:** Cancer and Reproductive Harm.
 ⚠️ **AVERTISSEMENT:** Peut Causer le Cancer et des Dommages au Système Reproducteur.
 ⚠️ **ADVERTENCIA:** Cáncer y Daño Reproductivo.
www.p65warnings.ca.gov

See page 353 for replacement parts.

INTELLIVALVE®

VALVE ACTUATOR

TRADEGRADE

Featured Highlights

- Thirteen (13) LEDs give precise, easy-to-read indication of valve position
- Built-in interface allows quick and simple set-up of water flow
- Sleek, minimalist design is compact and fits easily within any equipment pad
- Sealed, maintenance-free design is weatherproofed for maximum reliability and extended service life
- Suitable for 1.5", 2", 2.5" and 3" valve sizes.
- 24-volt operation for use with standard automation systems, 750 mA max amp draw
- Adjustable 3.75-degree increments within the maximum 180-degree swing



**IntelliValve
Valve Actuator**

The IntelliValve Valve Actuator lets you set just the right flow for water features. Its intuitive controls and LED position indicator lights make operation fast and push-button easy. Thirteen (13) bright LEDs provide a clear visual indication of the valve position from fully open to fully closed and everywhere in between. Simply use the left/right and Save buttons to set the perfect flow rate in just seconds.

CALIFORNIA PROPOSITION 65 WARNING
 ⚠️ **WARNING:** Cancer and Reproductive Harm.
 ⚠️ **AVERTISSEMENT:** Peut Causer le Cancer et des Dommages au Système Reproducteur.
 ⚠️ **ADVERTENCIA:** Cáncer y Daño Reproductivo.
www.p65warnings.ca.gov PA 201514

Ordering Information

Product	Description
INTELLIVALVE	
521485	For any Pentair Automation System Compatible with control systems that use standard actuators

VALVE ACTUATOR

VALVE CONTROL SYSTEMS

TRADEGRADE



Valve Actuator

Designed for use with 2-port and 3-port valves. Features maximum torque, 24VAC bi-directional motor.

Featured Highlights

CVA24 Valve Actuator

- Helps Prevent dead-heading of pumps
- Corrosion-proof enclosure
- Service switch (for flow direction)
- ETL recognized
- UL listed for use with IntelliTouch® Automation
- Operates Compool, Ortega® or Jandy® Valves
- Compatible with all 24VAC Control Systems

CALIFORNIA PROPOSITION 65 WARNING
 ⚠️ **WARNING:** Cancer and Reproductive Harm.
 ⚠️ **AVERTISSEMENT:** Peut Causer le Cancer et des Dommages au Système Reproducteur.
 ⚠️ **ADVERTENCIA:** Cáncer y Daño Reproductivo.
www.p65warnings.ca.gov PN2017LA

Ordering Information

Product	Model	Voltage	Cable	Rotation	Compatibility	Motor
VALVE ACTUATOR						
263043	CVA24L	24 VAC	3-wire	90 deg.	2-port Compool/Ortega/Jandy Valves	Bi-directional
263044	CVA24Y	24 VAC	3-wire	120 deg.	3-port Compool PTV2Y Valve	Bi-directional
263045	CVA24T	24 VAC	3-wire	180 deg.	3-port Compool/Ortega/Jandy Valves	Bi-directional

Jandy® is a registered trademark of Jandy Industries, Inc.

GFCI CIRCUIT BREAKERS



GFCI Circuit Breakers

Featured Highlights

- Personnel Protection GFCI
- Meets 2008 to current NEC Standards for Pool Pumps
- Compatible with IntelliTouch® and EasyTouch® Control System
- Designed to protect personnel exposed to ground faults in AC, DC, and mixed AC/DC systems where levels exceed 6 milliamps

Ordering Information

Product	Description	Carton Qty.	Carton Wt (Lbs.)
GFCI CIRCUIT BREAKERS			
PA215GF	2-pole 15 amp GFCI	10	11.50
PA220GF	2-pole 20 amp GFCI	10	11.50

CALIFORNIA PROPOSITION 65 WARNING
 ⚠️ **WARNING:** Cancer and Reproductive Harm.
 ⚠️ **AVERTISSEMENT:** Peut Causer le Cancer et des Dommages au Système Reproducteur.
 ⚠️ **ADVERTENCIA:** Cáncer y Daño Reproductivo.
www.p65warnings.ca.gov PN2017LA

LX80 & LX820 SYSTEMS

COMMERCIAL POOL/SPA CONTROL SYSTEMS

TRADEGRADE

Featured Highlights

LX802 Commercial Pool/Spa Control System

- Emergency Shut-off Switch (disables all pumps)
- Audio Alarm
- Power Center available at the equipment site, features: mechanical time clocks for the Pool and Spa Filter Pumps, power relays (3) for Pool and Spa Filter Pumps and Spa Jet Pump and equipment service switches

LX8202 Emergency Shut-off System

- Emergency Shut-off Switch
- Audio Alarm
- Power Center at the equipment site with equipment status lights and power relays (2) for Spa Filter Pump and Jet Booster Pump

NOTE: System interfaces with existing Spring Wound Timer



LX802

Designed for a commercial pool and spa application. Provides Remote Spa Jets switch (suitable for outdoor locations) with electronic countdown timer (15/30 minutes).

CALIFORNIA PROPOSITION 65 WARNING

⚠ **WARNING:** Cancer and Reproductive Harm.
 ⚠ **AVERTISSEMENT:** Peut Causer le Cancer et des Dommages au Système Reproducteur.
 ⚠ **ADVERTENCIA:** Cáncer y Daño Reproductivo.
www.p65warnings.ca.gov

Ordering Information

Product	Circuits	Power Relays Std/Max	Circuit Breaker Capacity	Voltage	Relay Amp Inductive
LX80 & LX820 COMMERCIAL POOL/SPA CONTROL SYSTEMS					
LX802*	Pool Filter, Spa Filter, Jet1, Jet2	3 / 8	N/A	115V/230V	20
LX8202	*Spa Filter, Jet1, Jet2	2 / 3	N/A	115V/230V	20

* LX80 and LX820 systems standard relays included are 20 amp 2HP. Part number RLYLX3HP can be ordered if installing a 3HP pump.



LX8202

Designed for retrofitting commercial spas where an emergency shut-off switch is required.

Product	Description
ACCESSORIES FOR LX80 COMMERCIAL POOL/SPA CONTROL SYSTEM	
RCS1	Additional Spa Jets Switch (for multiple jet pumps)
ES03	Emergency Shut-Off Switch w/Audible Alarm
RLYLX	Additional Power Relay (for auxiliary equipment)
RLYLX3HP	Additional 25 Amp, 3 HP Power Relay (for auxiliary equipment)
RYALX	Harness to operate 2 Power Relays from one control circuit
ACCESSORIES FOR LX8202 COMMERCIAL POOL/SPA CONTROL SYSTEM	
RLYSC	Additional Power Relay (for second jet pump or filter pump)
RLYSC3HP	Additional 25 Amp, 3 HP Power Relay (for auxiliary equipment)

INTELLICHEM® CHEMICAL CONTROLLER

TRADEGRADE



IntelliChem Chemical Controller



Chemical Tanks with on board pumps

The IntelliChem Chemical Controller automatically monitors pool pH and sanitizing levels and delivers just the right amount of chemicals. IntelliChem Chemical Controller can work independently or in conjunction with other Pentair automation products. It's built-in Langelier Saturation Index calculator lets pool owners know when the water is in or out of balance. IntelliChem Chemical Controller uses the same technology found in commercial installations, water parks, hotel and community pools.

Featured Highlights

- Auto Setup/Configuration wizard makes start-up quick and easy
- Programmable chemical feed cycle and mix times for precise water balance
- Aids in safer water conditions by preventing excess chemical addition
- Built-in Langelier Saturation Index calculator lets you know when your water chemistry is perfectly in or out of balance
- Minimizes chemical costs by adding chemicals with precision
- Flow sensor ensures chemicals won't feed without system flow
- Password-protected access prevents tampering or accidental program change
- Seamless interface with IntelliTouch®, EasyTouch®, SunTouch® Automation Systems and ScreenLogic2® Interface for chemical management
- Compatible with IntelliChlor® Salt Chlorine Generators, external dosing pumps, and CO₂ systems

CALIFORNIA PROPOSITION 65 WARNING

⚠️ **WARNING:** Cancer and Reproductive Harm.
 ⚠️ **AVERTISSEMENT:** Peut Causer le Cancer et des Dommages au Système Reproducteur.
 ⚠️ **ADVERTENCIA:** Cáncer y Daño Reproductivo.

www.p65warnings.ca.gov PN 521357

Ordering Information

Product	Description	Application
INTELLICHEM CHEMICAL CONTROLLER		
521357	Controller Only	For systems using external feed pumps, IntelliChlor, or CO ₂ . Containers ordered separately. The 521357 Controller is NSF Listed.
522621	Controller and Acid Tank with Tank Mounted Pump ^{1,2}	For systems requiring a tank and pump for feeding liquid acid
522622	Controller and Acid and Chlorine Tanks with Tank Mounted Pumps ^{1,2}	For systems requiring tanks and pumps for feeding liquid acid and chlorine
INTELLICHEM CHEMICAL CONTROLLER ACCESSORIES		
522472	Acid Tank with Tank Mounted Pump ^{1,2}	Convenient and innovative container for storing and feeding liquid acid. No external pump required.
522473	Chlorine Tank with Tank Mounted Pump ^{1,2}	Convenient and innovative container for storing and feeding liquid chlorine. No external pump required
521378	Acid Container ¹ without pump	Convenient and innovative container for storing muriatic acid (must provide separate external pump or can be upgraded with the new pump on tank PN 522474)
521397	Chlorine Container without pump	Convenient and innovative container for storing chlorine (must provide separate external pump or can be upgraded with the new pump on tank PN 522474)
522480	Stenner Blue Pump on Tank Tube ² Replacement (2/pk)	Replacement tubes for blue tank mounted pump
522474	Upgrade Kit for IntelliChem Container	Upgrade older non-pump containers (521378 & 521397) with the new tank mounted pump
522478Z	Upgrade Kit for IntelliChem Controller	Upgrade controller only systems to use the new tank mounted pumps
714000070	CO ₂ Kit w/Diffuser, Solenoid, Regulator	For systems using CO ₂ to lower pH levels.
521622	IntelliChem Winterizing Kit	Includes protective end caps and solution for storing pH and ORP probes in freezing climates
521498	IntelliChem Flash Programming Kit	Upgrade IntelliChem Chemical Controllers to the latest firmware for added functionality and improved performance

¹ Pentair always recommends 1:1 dilution when using full strength muriatic acid.

When mixing, remember to always add acid to water.

² Pentair recommends replacing peristaltic pump tubes every 6 months.

Note: Always try to position container off the equipment pad (if possible).



See page 356–357 for replacement parts.

COMMERCIAL INTELLICHEM®

COMMERCIAL CHEMICAL CONTROLLER

Featured Highlights

- Dual sanitizer support
- Programmable chemical feed cycle and mix times for precise water balance
- Aids in safer water conditions by preventing excess chemical addition in a 24 hour period
- Built-in Langelier Saturation Index calculator lets you know when your water chemistry is perfectly in or out of balance
- Flow sensor ensures chemicals won't feed without system flow
- Password-protected access prevents tampering or accidental program change
- Use of ScreenLogic2® on iOS® device offers the ability to keep track of pH, ORP, Temperature and Calculated PPM (cPPM) levels and make adjustments locally or remotely
- Compatible with IntelliChlor® Salt Chlorine Generators, external dosing pumps, and CO₂ systems
- Title-22 Compliant
- IntelliChem Commercial iOS device is available on Apple® App Store®
- 30-day data log storage of pH, ORP, cPPM and temperature
- Battery backup for RealTime Clock (RTC)



Commercial IntelliChem
Chemical Controller

CALIFORNIA PROPOSITION 65 WARNING

⚠️ **WARNING:** Cancer and Reproductive Harm.
 ⚠️ **AVERTISSEMENT:** Peut Causer le Cancer et des Dommages au Système Reproducteur.
 ⚠️ **ADVERTENCIA:** Cáncer y Daño Reproductivo.
www.p65warnings.ca.gov

Ordering Information

Product	Description	Application
COMMERCIAL INTELLICHEM CHEMICAL CONTROLLER		
523478	IntelliChem Commercial System No pump	The 523478 Controller is ETL Listed to NSF 50 Standard. Does NOT include ScreenLogic, but available as an option.
522577	IntelliChem Commercial System 1 pump ^{1,2}	Dual sanitization support w/standalone ScreenLogic remote PC and iOS device connectivity. Pre-mounted and pre-wired on 2'x2' plastic backboard. Containers ordered separately. The 522577 Controller is ETL Listed to NSF 50 Standard.
522578	IntelliChem Commercial System 2 pumps ^{1,2}	Dual sanitization support w/standalone ScreenLogic remote PC and iOS device connectivity. Pre-mounted and pre-wired on 2'x2' plastic backboard. Containers ordered separately. The 522578 Controller is ETL Listed to NSF 50 Standard
INTELLICHEM CHEMICAL CONTROLLER ACCESSORIES		
523492Z	Stenner 50GPD External Pump ^{1,2}	50GPD Stenner pump for feeding liquid acid or chlorine
523493	Stenner 50GPD Pump Tube 2 pk. ^{1,2}	50GPD Stenner pump tubes for every 6-month replacement
523494	Stenner 50GPD Pump Tube 5 pk. ^{1,2}	50GPD Stenner pump tube for every 6-month replacement

¹ Pentair always recommends 1:1 dilution when using full strength muriatic acid. When mixing, remember to always add acid to water.

² Pentair recommends replacing peristaltic pump tubes every 6 months. Note: Always try to position container off the equipment pad (if possible).

iOS® is a registered trademark of Cisco Technology, Inc. in the United States and/or other countries.

Apple® and App Store® are registered trademarks of Apple Inc., in the United States and/or other countries.



See page 359 for replacement parts.

INTELLIPH® PH CONTROLLER

CHEMICAL CONTROLLER

TRADEGRADE

eco select®



IntellipH Controller
Requires IntelliChlor Generator
Version 3 (2010 +)

Featured Highlights

- Helps protect your pool equipment from corrosion when pH swings in and out of balance
- Acid dispensing rate adjusts with the touch of a button
- Makes sanitizing more effective by eliminating fluctuations in pH level
- Bolts securely to the equipment pad to help prevent poolside acid spills
- Powered by either IntelliChlor® Salt Chlorine Generator Power Center or EasyTouch® or IntelliTouch® Automation system with IntelliChlor Generator support for easy wiring and installation
- UL and cUL listed
- One-year limited warranty on electronics and metering pump
- New pump design allows for tool-less pump tube replacement

IntellipH Controllers is a convenient way to regulate a swimming pools pH level. It automatically dispenses muriatic acid into the pool to help eliminate fluctuations in the pH level. IntellipH is the perfect companion for the IntelliChlor Salt Chlorine Generator and together they help sanitize and balance pool water to keep it sparkling clear.

Ordering Information

Product	Description
INTELLIPH	
521377	IntellipH controller with acid container ¹
522480	Stenner replacement head pump tubes 2-pk (replace annually)

¹ Pentair always recommends 1:1 dilution when using full strength muriatic acid. When mixing, remember to always add acid to water.

Note: Always try to position container off the equipment pad (if possible).

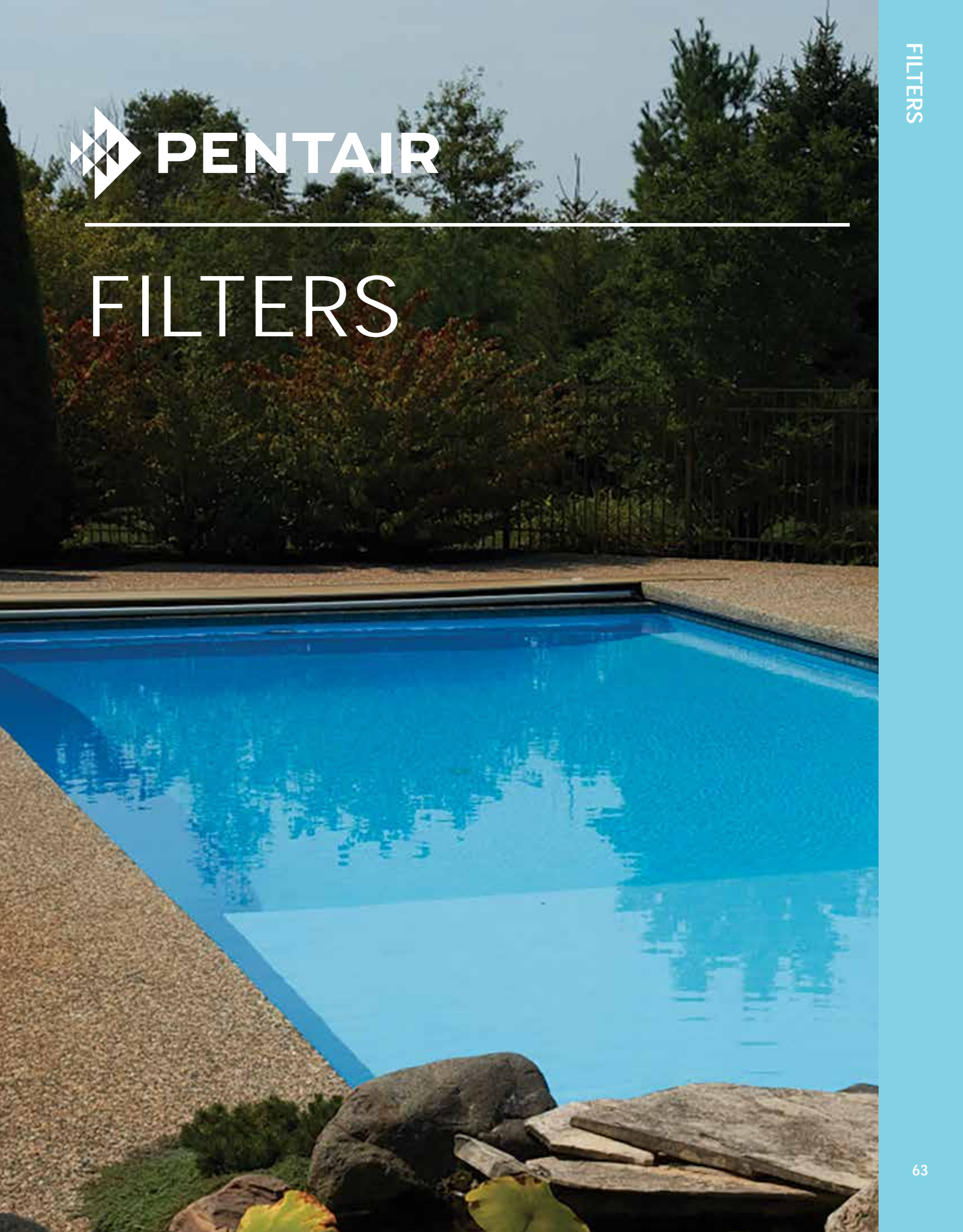
*Pentair recommends replacing peristaltic pump tubes every 6 months.



CALIFORNIA PROPOSITION 65 WARNING
 ⚠️ **WARNING:** Cancer and Reproductive Harm.
 ⚠️ **AVERTISSEMENT:** Peut Causer le Cancer et des Dommages au Système Reproducteur.
 ⚠️ **ADVERTENCIA:** Cáncer y Daño Reproductivo.
www.p65warnings.ca.gov FR 2017A



FILTERS



CLEAN & CLEAR® PLUS FILTERS

FIBERGLASS REINFORCED POLYPROPYLENE TANK

Featured Highlights

- Certified to NSF/ANSI Standard 50
- Large filter area for increased dirt capacity
- 1-1/2 in., 100% drain clean-out port
- Continuous High Flow™ Internal Air Relief *
- Base and plumbing kits available
- Injection molded tank
- Balanced hydraulic flow
- Tension Control™ Clamp
- 100% factory tested
- Black bulkhead unions
- High Flow manual air relief valve

TRADEGRADE



Clean & Clear Plus Filter

Clean & Clear Plus Filters have a corrosion resistant injection molded filter tank featuring strength and reliability. The cartridge assembly uses four easy to clean, non-woven, polyester cartridges. Each filter is supplied with a bulkhead union set for easy installation.

Ordering Information

Product	Model	Effective Filtration Area (Sq. Ft.)	Flow Rate ² (GPM Res)	Turnover Capacity (In Gallons)			Carton Qty.	Carton Wt. (Lbs.)
				8 Hour	10 Hour	12 Hour		
CLEAN & CLEAR PLUS FILTERS								
160310	CCP240	240	90	43,200	54,000	64,800	1	60
160340	CCP320 ¹	320	120	57,600	72,000	86,400	1	70
160301	CCP420 ¹	420	150	72,000	90,000	108,000	1	80
160332	CCP520 ¹	520	150	72,000	90,000	108,000	1	90
CLEAN & CLEAR PLUS REPLACEMENT CARTRIDGES								
179133	Model 240 Replacement Cartridges (4/pack)							
179134	Model 320 Replacement Cartridges (4/pack)							
179135	Model 420 Replacement Cartridges (4/pack)							
179136	Model 520 Replacement Cartridges (4/pack)							

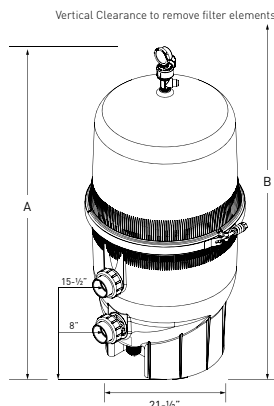
¹ Certified to NSF/ANSI Standard 50.

² Residential rate .375 GPM per sq. ft. of filter area.

Certified to NSF/ANSI Standard 50

Dimension Table

Model	A Dim.	B Dim.
160310	37"	56"
160340	43"	62"
160301	49"	68"
160332	56"	74"



Dimensions and Performance

Note: Actual system flow will depend on plumbing size and other system components.

Note: Pentair Aquatic Systems does not recommend flow rates above 150 GPM.

* Integrated continuous High Flow internal air relief is operational only when there is unobstructed flow in the circulating system.

Note: Operating Limits – maximum continual operating pressure of 50 PSI. Pool/spa (bather) applications, maximum operating water temperature (internal filter) 104°F (40°C).

CALIFORNIA PROPOSITION 65 WARNING

⚠️ **WARNING:** Cancer and Reproductive Harm.
 ⚠️ **AVERTISSEMENT:** Peut Causer le Cancer et des Dommages au Système Reproducteur.
 ⚠️ **ADVERTENCIA:** Cáncer y Daño Reproductivo.

www.p65warnings.ca.gov. PH20174A

See page 362 for replacement parts.

CLEAN & CLEAR® FILTERS

FIBERGLASS REINFORCED POLYPROPYLENE TANK

TRADEGRADE

Clean & Clear Filter



Featured Highlights

- Certified to NSF/ANSI Standard 50
- Unionized connections
- Integrated continuous High Flow™ Internal Air Relief *
- Chemical resistant tank body
- Lock ring with spring-loaded safety latches
- Coreless cartridge for easy cleaning
- High Flow manual air relief valve
- 1 in. drain and wash out
- Single piece base and body design

The Clean & Clear Filter features a chemical resistant tank with no-tool servicing and a coreless cartridge for easier cleaning. All models are equipped with easy spin-on unions for plumbing hook-ups. These filters are certified to NSF/ANSI Standard 50 and available in 50, 75, 100, 150, and 200 square foot sizes.

CALIFORNIA PROPOSITION 65 WARNING

⚠️ **WARNING:** Cancer and Reproductive Harm.
 ⚠️ **AVERTISSEMENT:** Peut Causer le Cancer et des Dommages au Système Reproducteur.
 ⚠️ **ADVERTENCIA:** Cáncer y Daño Reproductivo.
www.p65warnings.ca.gov

Ordering Information

Product	Model	Effective Filtration Area (Sq. Ft.)	Flow Rate ¹ (GPM Res)	Turnover Capacity (In Gallons)			Carton Qty.	Carton Wt. (Lbs.)
				8 Hour	10 Hour	12 Hour		
CLEAN & CLEAR FILTERS								
160314	CC 50	50	50	24,000	30,000	36,000	1	15
160315	CC 75	75	75	36,000	45,000	54,000	1	26
160316	CC 100	100	100	48,000	60,000	72,000	1	33
160317	CC 150	150	150	72,000	90,000	108,000	1	35
160318	CC 200	200	150	72,000	90,000	108,000	1	35

¹ One GPM per sq. ft. shown recommended flow rate .5 GPM per sq. ft.

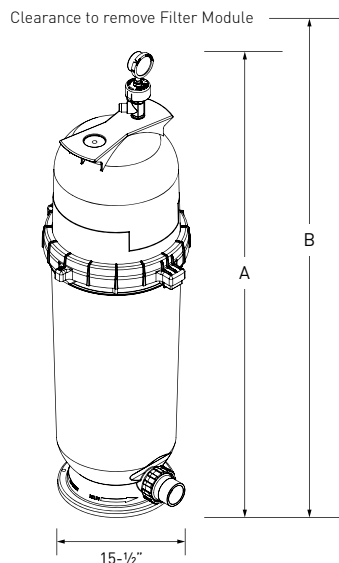
Dimensions and Performance

Note: Actual system flow will depend on plumbing size and other system components.

Note: Pentair Aquatic Systems does not recommend flow rates above 150 GPM.

* Integrated continuous High Flow internal air relief is operational only when there is unobstructed flow in the circulating system.

Note: Operating Limits – maximum continual operating pressure of 50 PSI. Pool/spa (bather) applications, maximum operating water temperature (internal filter) 104°F (40°C).



Certified to NSF/ANSI Standard 50

Dimension Table

Model	A Dim.	B Dim.
160314	18"	30"
160315	25-1/2"	39"
160316	33"	61"
160317	40-1/2"	78"
160318	40-1/2"	78"

CLEAN & CLEAR® RP FILTERS

FIBERGLASS REINFORCED POLYPROPYLENE TANK

Featured Highlights

- Cartridge is easy to remove and rinse
- Low-force, quick-connect diamond-seal fastens easily with no tools required
- Chemical resistant tank body
- High Flow™ Manual Air Relief valve and continuous internal air relief
- 1-1/2 in. drain and washout for quick and convenient maintenance and winterization
- Easy turn Lock-ring



TRADEGRADE



CALIFORNIA PROPOSITION 65 WARNING

⚠ **WARNING:** Cancer and Reproductive Harm.
 ⚠ **AVERTISSEMENT:** Peut Causer le Cancer et des Dommages au Système Reproducteur.
 ⚠ **ADVERTENCIA:** Cáncer y Daño Reproductivo.
www.p65warnings.ca.gov PK2019A

Inside, the Clean & Clear RP has increased cartridge surface consistency to block and trap particles as small as 20 microns.

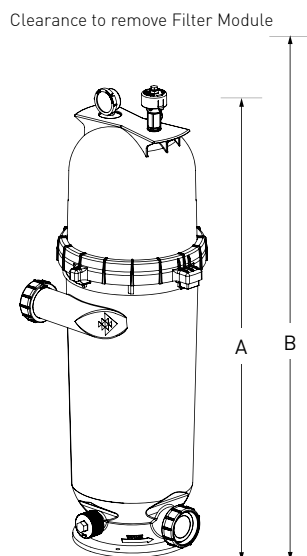
Ordering Information

Product	Model	Effective Filtration Area (Sq. Ft.)	Flow Rate ¹ (GPM Res)	Turnover Capacity (In Gallons)			Carton Qty.	Carton Wt. (Lbs.)
				8 Hour	10 Hour	12 Hour		
CLEAN & CLEAR RP FILTERS								
160354	CCRP 100	100	100	48,000	60,000	72,000	1	33
160355	CCRP 150	150	150	72,000	90,000	108,000	1	35
160353	CCRP 200	200	150	72,000	90,000	108,000	1	35

¹ One GPM per sq. ft. shown recommended flow rate .5 GPM per sq. ft.

Certified to NSF/ANSI Standard 50

Clean & Clear RP		
Model	A Dim	B Dim
160354	33"	61"
160355	40.5"	76"
160353	40.5"	76"



Dimensions and Performance

Note: Actual system flow will depend on plumbing size and other system components.

Note: Pentair Aquatic Systems does not recommend flow rates above 150 GPM.

* Integrated continuous High Flow internal air relief is operational only when there is unobstructed flow in the circulating system.

Note: Operating Limits – maximum continual operating pressure of 50 PSI. Pool/spa (bather) applications, maximum operating water temperature (internal filter) 104°F (40°C).

See page 363 for replacement parts.

DYNAMIC® FILTER SERIES

FOR SPAS, HOT TUBS AND SWIMMING POOLS



Dynamic Filter Series

Featured Highlights

- Free standing base optional on all but DSC models
- All cartridges are manufactured of the finest quality filter media

The Dynamic Filter Series line includes in-line, top load, flange lily pad and safety skim filters with automatic chemical dispensers and a host of features created for the leading spa manufacturers throughout the country.

Ordering Information

Product	Model	Description	Effective Filtration Area (Sq. Ft.)	Max GPM	Plumbing Size	Filter Dimensions		Carton Qty.	Carton Wt. (Lbs.)
						Height	Diameter		
DYNAMIC FILTER SERIES II TOP LOAD 2 in. HIGH FLOW FILTERS									
R172502J	RTL 25	Slip, 3 oz. cartridge	25	100	2 in. socket	18 in.	8-1/4 in.	4	27
R172503	RTL 75	Slip, 3 oz. cartridge	75	100	2 in. socket	25 in.	8-1/4 in.	4	30
R172504B	RTL 50	Slip, 3 oz. cartridge	50	100	2 in. socket	18 in.	8-1/4 in.	4	28
R172505	RTL 100	Slip, 3 oz. cartridge	100	100	2 in. socket	31-1/2 in.	8-1/4 in.	4	32
DYNAMIC FILTER SERIES III TOP LOAD 2 in. HIGH FLOW FILTERS WITH CHLORINE/BROMINE DISPENSERS									
R172523	RCF 25	Slip, 3 oz. cartridge	25	100	2 in. socket	18 in.	8-1/4 in.	4	28
R172535	RCF 50	Slip, 3 oz. cartridge	50	100	2 in. socket	18 in.	8-1/4 in.	4	30
R172503C	RCF 75	Slip, 3 oz. cartridge	75	100	2 in. socket	25 in.	8-1/4 in.	4	32
R172505C	RCF 100	Slip, 3 oz. cartridge	100	100	2 in. socket	31-1/2 in.	8-1/4 in.	4	34
DYNAMIC FILTER SERIES IV FLOATING LILY PAD WEIR FILTERS ¹									
R172545	DFM 50	Low profile (no weir) short basket	50	100	2 in. socket	17-1/2 in.	8-1/2 in.	4	26
R172664	DFML 25	Lily pad weir, lock ring mount	25	100	2 in. socket	19-3/8 in.	8-1/2 in.	4	27
R172666	DFML 25C	Compact, (not available with dispenser)	25	100	2 in. socket	12-7/8 in.	8-1/2 in.	4	22
R172668	DFML 25	With chlorine/bromine dispenser	25	100	2 in. socket	19-3/8 in.	8-1/2 in.	4	28
R172670	DFML 35	Lily pad weir, lock ring mount	35	100	2 in. socket	15-1/2 in.	8-1/2 in.	4	24
R172674	DFML 50	Lily pad weir, lock ring mount	50	100	2 in. socket	19-3/8 in.	8-1/2 in.	4	28
SAFETY FACE PLATE KIT ¹									
R172555WH		Safety face plate kit, white						4	5

CALIFORNIA PROPOSITION 65 WARNING

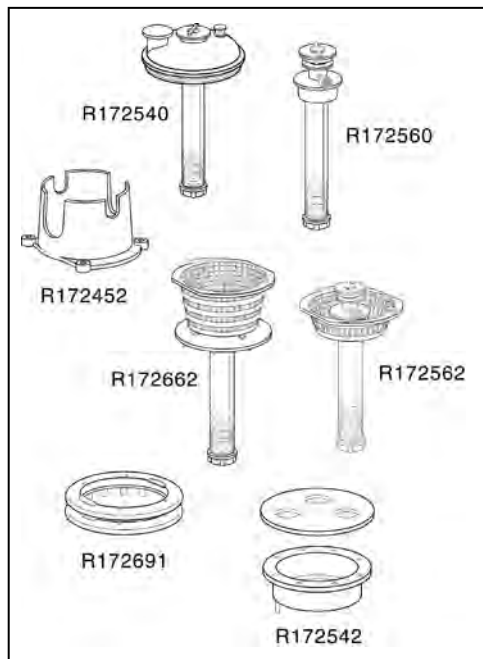
▲ **WARNING:** Cancer and Reproductive Harm.
▲ **AVERTISSEMENT:** Peut Causer le Cancer et des Dommages au Système Reproducteur.
▲ **ADVERTENCIA:** Cáncer y Daño Reproductivo.

www.p65warnings.ca.gov
PK201714A

DYNAMIC® FILTER SERIES (CONT'D)

ACCESSORIES FOR DYNAMIC FILTER SERIES II, III, IV, V		
R172452	Free standing base for Dynamic Filter Series II and III	Bulk
R172540	Chlorine/Bromine Dispenser for Dynamic Filter Series II and III	Bulk
R172560	Chlorine/Bromine Dispenser for Dynamic Filter Series IV Skim	Bulk
R172562	Chlorine/Bromine Dispenser w/ basket for DFM 50	Bulk
R172662	Chlorine/Bromine Dispenser w/ basket for DFML 25, 35, 50	Bulk

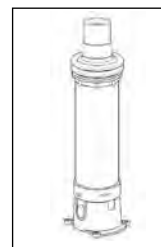
¹ All available in white. For sterling silver top add "SS" to order number. For dark grey add "DG."



RLT-25



RCF-25



DMFL-25

See page 365– 370 for replacement parts.

SYSTEM:3® MODULAR MEDIA FILTERS

SM SERIES FILTERS



TRADEGRADE



System:3 Modular Media Filter
SM Series

Featured Highlights

- Typical Installation – Inground pools, inground hot tubs, and water features
- Quality Construction – Durable two-piece tank housing constructed of Dura-Glas™, Sta-Rite's industry leading glass reinforced composite resin
- Innovative Design – The innovative balanced flow design first introduced with the System : 3 Mod Media is still the standard of the industry
- Low Maintenance – Complete media coverage combined with shallow pleats means greater dirt holding capabilities, resulting in longer filter cycles and less cleaning
- Quick Service – The shallow pleat design allows you to simply hose off the elements in a matter of minutes, making servicing a snap
- Dual Drain Plugs – Side plug available for plumbing to waste, while the bottom plug will drain entire filter

With the System : 3 Modular Media Filter, Sta-Rite brings you the product that makes Ultra-Capacity Filtration™ a reality. No longer simply “cartridges”, Sta-Rite’s modular media concept incorporates balanced flow, and an integral manifold design. This filtration concept aids in care-free operation within reach of today’s pool owners. Modular Filter Tanks allows for quick change of filter medias without changing the tank. Contemporary style and matte black finish looks attractive in any pool setting.

Ordering Information

Product	Effective Filter Area (Sq. Ft.)	Flow Rated ¹ GPM (Sq. Ft.)	Turnover Capacity (In Gallons) (Flow Rate x 60 x Hours)			Tank Port Size	Carton Wt. (Lbs.)
			6 Hour	8 Hour	10 Hour		
SYSTEM:3 MODULAR MEDIA FILTER - SM SERIES							
S7M120	300	50–100	18–36,000	24–48,000	30–60,000	2 in.	120
S7M400 ¹	400	50–115	18–41,000	24–55,000	30–69,000	2 in.	125
S8M150 ¹	450	50–124	18–45,000	24–60,000	30–74,000	2 in.	147
S8M500 ¹	500	50–130	18–46,000	24–62,400	30–78,000	2 in.	150

¹ Based on NSF rated flow range of .333 GPM per square foot for the S7M120.
.288 GPM per square foot for the S7M400, .275 GPM for the S8M150 and .26 GPM per square foot for the S8M500.

Note: No backwash valve required.

Note: Operating Limits – maximum continual operating pressure of 50 PSI. Pool/spa (bather) applications, maximum operating water temperature (internal filter) 104°F (40°C).

CALIFORNIA PROPOSITION 65 WARNING

▲ **WARNING:** Cancer and Reproductive Harm.
▲ **AVERTISSEMENT:** Peut Causer le Cancer et des Dommages au Système Reproducteur.
▲ **ADVERTENCIA:** Cáncer y Daño Reproductivo.

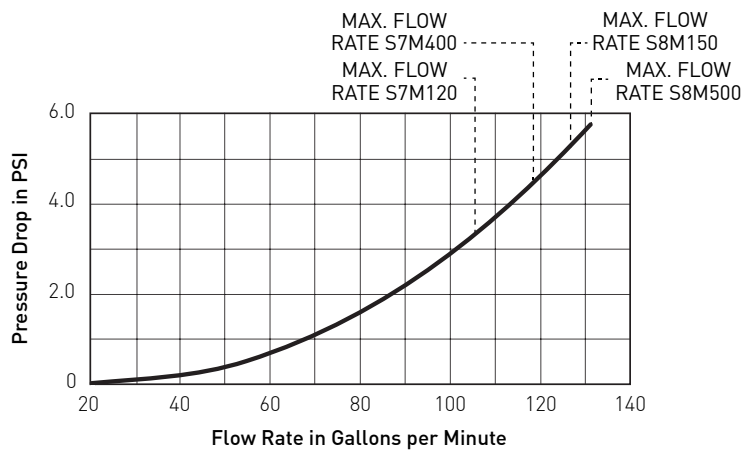
www.p65warnings.ca.gov. P6.2017A

SYSTEM:3® MODULAR MEDIA FILTERS (CONT'D)

SM SERIES FILTERS

Ordering Information

Product	Description	Carton Wt. (Lbs.)
ACCESSORIES FOR SYSTEM:3 MODULAR MEDIA FILTER - SM SERIES		
PKG 188Z	Union x 2 in. Slip Adapter - Pkg. of 2	1
PKG 189	Union x 2 in. FPT Adapter - Pkg. of 2	1
77703-0100	Union x 1-1/2 in. FPT Adapter - Pkg. of 2	1
77703-0101	Union x 1-1/2 in. Slip Adapter - Pkg. of 2	1
25021-0200S	100 sq. ft. Inner Replacement Module for S7M120	9
25022-0201S	200 sq. ft. Outer Replacement Module for S7M120	21
25021-0223S	136 sq. ft. Inner Replacement Module for S7M400	11
25022-0224S	264 sq. ft. Outer Replacement Module for S7M400	24
25021-0202S	191 sq. ft. Inner Replacement Module for S8M150	18
25022-0203S	259 sq. ft. Outer Replacement Module for S8M150	27
25021-0224S	209 sq. ft. Inner Replacement Module for S8M500	19
25022-0225S	291 sq. ft. Outer Replacement Module for S8M500	28
25021-0021	Modular Media Conversion Kit - S7M120/S7M400 (Order Modules Separately)	4
25021-0025	Modular Media Conversion Kit - S8M150/S8M500 (Order Modules Separately)	5
170145	S7M120 Inner & Outer Replacement Cartridge Pack	35
170146	S7M400 Inner & Outer Replacement Cartridge Pack	35
170147	S8M150 Inner & Outer Replacement Cartridge Pack	50
170148	S8M500 Inner & Outer Replacement Cartridge Pack	50

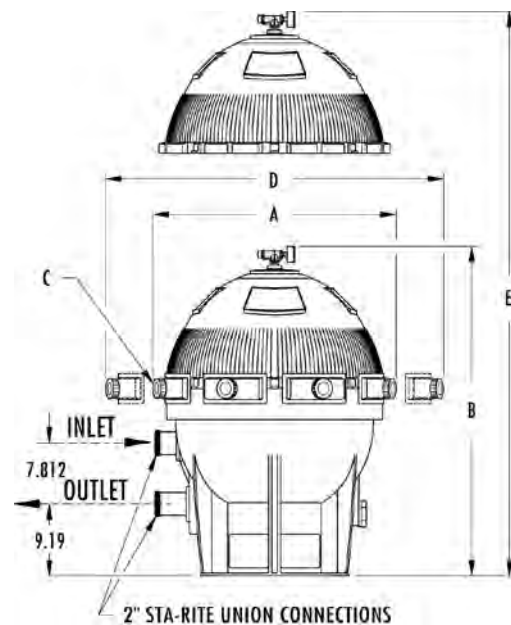


Catalog Number	DIMENSION				
	A	B	C	D	E
S7M120/S7M400	28-1/2	42	7	36	50
S8M150/S8M500	32-1/2	42-1/4	8	40	50

- A = width
 - B = height
 - C = number of clamps
 - D = area (width) needed to take off clamps
 - E = area (height) needed to remove top half of tank
- All dimensions shown in inches.

Dimensions and Performance

**Certified to
NSF/ANSI Standard 50**



See page 371 for replacement parts.

SYSTEM:2™ MODULAR MEDIA FILTERS

PLM SERIES FILTERS



TRADEGRADE



System:2 Modular Media Filters
PLM Series

Featured Highlights

- Typical Installation – aboveground pools, inground pools, and inground hot tubs
- Quality Construction – Durable two-piece tank housing constructed of rugged ABS thermoplastic to ensure a long-lasting tank life
- Easy Access – Posi-Ring Locking Ring provides fast access to tank internals
- Innovative Design – The innovative balanced flow design first introduced with the System : 3 Mod Media filter is now available in the smaller System:2 filter, helps with a maintenance-free operation for pools of all sizes
- Low Maintenance – Complete media coverage combined with shallow pleats means greater dirt holding capabilities, resulting in longer filter cycles and less cleaning
- Large Drain Plug – Filter includes 2 in. NPT Drain ports, which are provided with reducer bushing and 1-1/2 in. drain plug

Sta-Rite's modular media filtration is the perfect match for both the inground and aboveground pool markets. Advances in media technology and balanced flow design provide dirt-loading capabilities up to 15 times greater than sand filters of equivalent size. Helps with a maintenance-free operation for today's pool owner. The small diameter footprint makes the System:2 filter a perfect fit for new and retrofit installations.

Modular Filter Tanks allows for quick change of filter medias without changing the tank. Contemporary style and matte black finish looks attractive in any pool setting.

Ordering Information

Product	Effective Filter Area (Sq. Ft.)	Flow Rated ¹ GPM (Sq. Ft.)	Turnover Capacity (In Gallons) (Flow Rate x 60 x Hours)			Tank Port Size	Carton Wt. (Lbs.)
			6 Hour	8 Hour	10 Hour		
SYSTEM:2 MODULAR MEDIA FILTER - PLM SERIES							
PLM100	100	38-100	14-36,000	18-48,000	23-60,000	2 in.	41
PLM125	125	47-125	17-45,000	22-60,000	28-75,000	2 in.	42
PLM150	150	56-150	20-54,000	27-72,000	34-90,000	2 in.	43
PLM175	175	66-150	24-54,000	31-72,000	39-90,000	2 in.	44
PLM200	200	75-150	27-54,000	36-72,000	45-90,000	2 in.	45
PLM300	300	113-150	41-54,000	54-72,000	68-90,000	2 in.	53

¹ Based on NSF recommended flow rate for commercial at .375 GPM per square foot.

Note: No backwash valve required.

Note: Operating Limits – maximum continual operating pressure of 50 PSI. Pool/spa (bather) applications, maximum operating water temperature (internal filter) 104°F (40°C).

CALIFORNIA PROPOSITION 65 WARNING

▲ **WARNING:** Cancer and Reproductive Harm.
▲ **AVERTISSEMENT:** Peut Causer le Cancer et des Dommages au Système Reproducteur.
▲ **ADVERTENCIA:** Cáncer y Daño Reproductivo.

www.p65warnings.ca.gov
PH 201714A

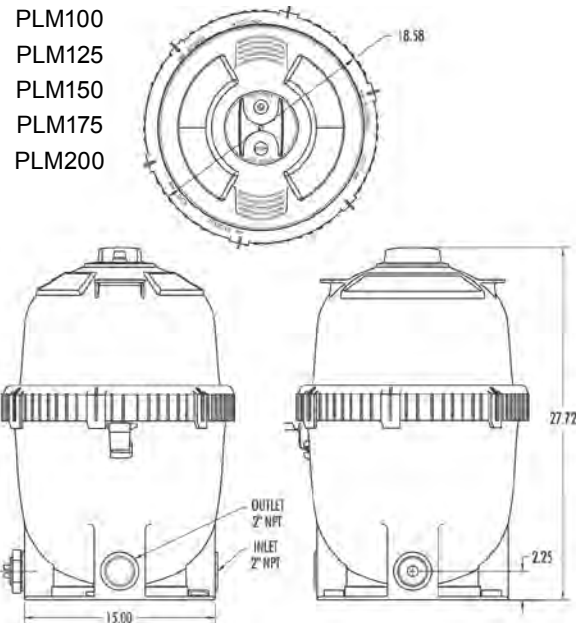
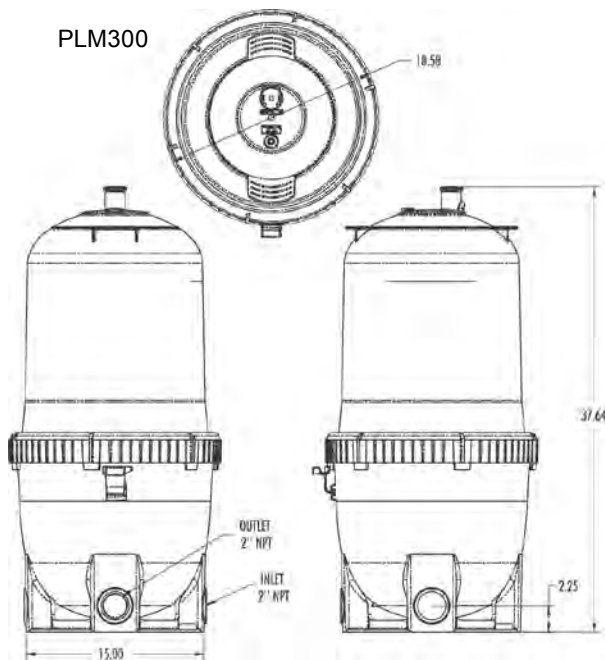
SYSTEM:2™ MODULAR MEDIA FILTERS (CONT'D)

PLM SERIES FILTERS

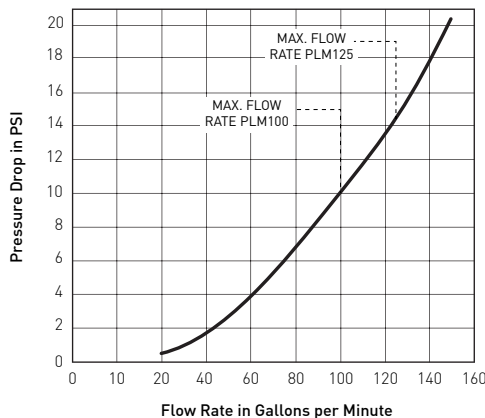
Ordering Information

Product	Description	Carton Wt. (Lbs.)
ACCESSORIES FOR SYSTEM:2 MODULAR MEDIA FILTER - PLM SERIES		
27002-0100S	100 Sq. Ft. Replacement Module for PLM100	11
27002-0125S	125 Sq. Ft. Replacement Module for PLM125	11.5
27002-0150S	150 Sq. Ft. Replacement Module for PLM150	12
27002-0175S	175 Sq. Ft. Replacement Module for PLM175	13
27002-0200S	200 Sq. Ft. Replacement Module for PLM200	14
27002-0300S	300 Sq. Ft. Replacement Module for PLM 300	19
U78-820P	2 in. x 1-1/2 in. Pipe Reducer Bushing	8 oz.
27001-0130S	Spring Check Valve	1

Dimensions and Performance



All dimensions shown in inches.



PLM100,
PLM125,
PLM150,
PLM175,
PLM200,
PLM300

**Certified to
NSF/ANSI Standard 50**

See page 372 for replacement parts.

POSI-CLEAR™ RP FILTERS

FIBERGLASS REINFORCED POLYPROPYLENE TANK



TRADEGRADE



Posi-Clear RP Filter



Featured Highlights

- Certified to NSF/ANSI Standard 50
- Unionized connections
- Integrated continuous High Flow™ Internal Air Relief *
- Chemical resistant tank body
- Lock ring with spring-loaded safety latches
- Coreless cartridge for easy cleaning
- High Flow Manual Air Relief valve
- 1 in. drain and wash out
- Single piece base and body design

The Posi-Clear RP Filter features a chemical resistant tank with no-tool servicing and a coreless cartridge for easier cleaning. All models are equipped with easy spin-on unions for plumbing hook-ups. These filters are certified to NSF/ANSI Standard 50 and available in 100, 150, and 200 square foot sizes.

CALIFORNIA PROPOSITION 65 WARNING

⚠️ **WARNING:** Cancer and Reproductive Harm.
 ⚠️ **AVERTISSEMENT:** Peut Causer le Cancer et des Dommages au Système Reproducteur.
 ⚠️ **ADVERTENCIA:** Cáncer y Daño Reproductivo.

www.p65warnings.ca.gov PK201714

Ordering Information

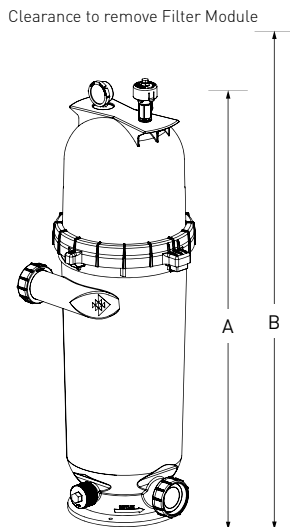
Product	Model	Effective Filtration Area (Sq. Ft.)	Flow Rate ¹ (GPM Res)	Turnover Capacity (In Gallons)			Carton Qty.	Carton Wt. (Lbs.)
				8 Hour	10 Hour	12 Hour		
POSI-CLEAR RP FILTERS								
160351	PXCRP100	100	100	48,000	60,000	72,000	1	33
160352	PXCRP150	150	150	72,000	90,000	108,000	1	35
160350	PXCRP200	200	150	72,000	90,000	108,000	1	35

¹ One GPM per sq. ft. shown recommended flow rate. .5 GPM per sq. ft.

Dimensions and Performance

Certified to NSF/ANSI Standard 50

Posi-Clear RP		
Model	A Dim	B Dim
160351	33"	61"
160352	40.5"	76"
160350	40.5"	76"



Note: Actual system flow will depend on plumbing size and other system components.

Note: Pentair Aquatic Systems does not recommend flow rates above 150 GPM.

* Integrated continuous High Flow internal air relief is operational only when there is unobstructed flow in the circulating system.

Note: Operating Limits – maximum continual operating pressure of 50 PSI. Pool/spa (bather) applications, maximum operating water temperature (internal filter) 104°F (40°C).

See page 373 for replacement parts.

FNS® PLUS FILTERS

FIBERGLASS REINFORCED POLYPROPYLENE MATERIAL, VERTICAL GRID, D.E.

Featured Highlights

- Certified to NSF/ANSI Standard 50
- Service-Ease™ Grid Pack
- Continuous High Flow™ Internal Air Relief *
- 100% factory tested
- Top-to-bottom backwash
- High Flow Manual Air Relief valve
- Tension Control™ Clamp
- 1-1/2 in. bottom clean out port
- 7-1/2 in. centerline bulkhead fittings

FNS Plus filters are fiberglass reinforced polypropylene of advanced chemical resistant materials for strength and reliability. The top manifold design features the Service-Ease grid pack for convenient one-at-a-time grid servicing.

TRADEGRADE



FNS Plus Filter

Valve adapters not included.

CALIFORNIA PROPOSITION 65 WARNING

⚠ **WARNING:** Cancer and Reproductive Harm.
 ⚠ **AVERTISSEMENT:** Peut Causer le Cancer et des Dommages au Système Reproducteur.
 ⚠ **ADVERTENCIA:** Cáncer y Daño Reproductivo.
www.p65warnings.ca.gov PN 201214

Ordering Information

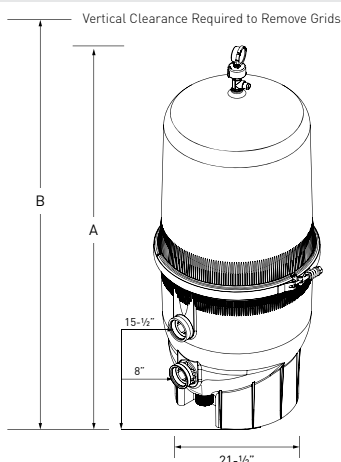
Product	Model	Effective Filtration Area (Sq. Ft.)	Flow Rate ¹ (GPM)	Turnover Capacity (In Gallons)			D.E. Required (Lbs.)	Carton Qty.	Carton Wt. (Lbs.)
				8 Hour	10 Hour	12 Hour			
FNS PLUS FILTERS									
180006	FNSP24	24	48	23,040	28,800	34,560	2.4	1	60
180007	FNSP36	36	72	34,560	43,200	51,840	3.6	1	70
180008	FNSP48	48	96	46,080	57,600	69,120	4.8	1	80
180009	FNSP60	60	120	57,600	72,000	86,400	6.0	1	90
FNS PLUS VALVE OPTIONS²									
263079	2 in. PVC Slide valve w/o bulkhead fitting							1	3
261049	2 in. HiFlow valve, no plumbing							1	7
261142	2 in. HiFlow valve with plumbing for FNS, FNS Plus, NSP filters							1	11
261152	2 in. MPV, threaded for FNS, FNS Plus, NSP filters							1	10
263064	Push pull valve, 7-1/2 in. Center, Almond PVC							1	6
261177	1-1/2 in. MPV, threaded for FNS, FNS Plus, NSP filters							1	7
263081	Valve for D.E., inlet port on bottom, Pentair 2 in. unions glued on XF Valve							1	12
270100	Valve Adaptor Kit 2" Black							1	1
271096	Valve Adaptor Kit 2" White							1	1
FNS PLUS REPLACEMENT GRID ELEMENTS									
198080	FNSP24 Element Only Replacement Pack (7 large, 1 small)			198082	FNSP48 Element Only Replacement Pack (7 large, 1 small)				
198081	FNSP36 Element Only Replacement Pack (7 large, 1 small)			198083	FNSP60 Element Only Replacement Pack (7 large, 1 small)				

¹ Flow rate is based on 2.0 GPM per sq. ft. of filter area. Actual system flow will depend on plumbing size and other system components.

² Valves must be purchased separately.

* Integrated continuous High Flow internal air relief is operational only when there is unobstructed flow in the circulating system.

Note: Operating Limits – maximum continual operating pressure of 50 PSI. Pool/spa (bather) applications, maximum operating water temperature (internal filter) 104°F (40°C).



Dimensions and Performance

Certified to NSF/ANSI Standard 50

Dimension Table

Product	A Dim.	B Dim.
180006	37"	48"
180007	43"	62"
180008	49"	74"
180009	55"	86"

See pages 375 for replacement parts.

EASyclean™ FILTERS

FIBERGLASS REINFORCED POLYPROPYLENE TANK

TRADEGRADE



EasyClean Filter

The EasyClean Filter features a chemical resistant tank with no-tool servicing and a cored cartridge for easier cleaning. All models are equipped with easy spin-on-unions for plumbing hook-ups.

Featured Highlights

- Unionized connections
- Integrated continuous High Flow™ Internal Air Relief *
- Chemical resistant tank body
- Lock ring with spring-loaded safety latches
- High Flow manual air relief valve
- 1 in. drain and wash out
- Single piece base and body design

CALIFORNIA PROPOSITION 65 WARNING
 ⚠️ **WARNING:** Cancer and Reproductive Harm.
 ⚠️ **AVERTISSEMENT:** Peut Causer le Cancer et des Dommages au Système Reproducteur.
 ⚠️ **ADVERTENCIA:** Cáncer y Daño Reproductivo.
 www.p65warnings.ca.gov. P# 201514

Ordering Information

Product	Model	Effective Filtration Area (Sq. Ft.)	Vertical Clearance ¹	Flow Rate ² (GPM)	D.E. Required	Turnover Capacity (In Gallons)			Carton Qty.	Carton Wt. (Lbs.)
						8 Hour	10 Hour	12 Hour		
EASyclean FILTERS										
188614	EC60	15	39 in.	60	1.3	28,000	36,000	43,000	1	26
188615	EC90	30	76 in.	90	2.4	43,200	54,000	64,800	1	35

¹ Required clearance to remove filter elements.

² Maximum flow rate.

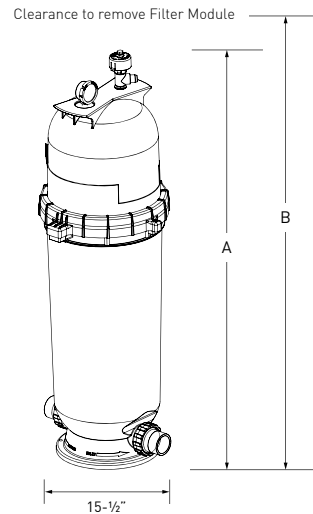
Dimensions and Performance

Note: Actual system flow will depend on plumbing size and other system components.

Note: Pentair Aquatic Systems does not recommend flow rates above 150 GPM.

* Integrated continuous High Flow internal air relief is operational only when there is unobstructed flow in the circulating system.

Note: Operating Limits – maximum continual operating pressure of 50 PSI. Pool/spa (bather) applications, maximum operating water temperature (internal filter) 104°F (40°C).



Model	A Dim	B Dim
188614	25-1/2 in.	39 in.
188615	40-1/2 in.	76 in.

QUAD D.E.® FILTERS

CARTRIDGE STYLE FILTER

TRADEGRADE



Featured Highlights

- Four large-capacity cartridges provide maximum filter surface area for greater dirt-trapping capacity and longer periods between cleanings
- Chemical resistant, fiberglass reinforced polypropylene tank for exceptional strength and long life
- Easily removable cartridge elements make maintenance fast and easy
- The efficient water flow through the Quad D.E. Filter may assist your pump in using less energy

The Highest Water Clarity with the Lowest Amount of Fuss. Quad D.E. combines the finest filtration available for the most sparkling clear water with the convenience and easy-cleaning features usually found only in a cartridge filter. Four easily accessible and removable D.E. cartridges simplify maintenance and save time.

CALIFORNIA PROPOSITION 65 WARNING
 ⚠️ **WARNING:** Cancer and Reproductive Harm.
 ⚠️ **AVERTISSEMENT:** Peut Causer le Cancer et des Dommages au Système Reproducteur.
 ⚠️ **ADVERTENCIA:** Cáncer y Daño Reproductivo.
www.p65warnings.ca.gov PN202714



Quad D.E. Filter

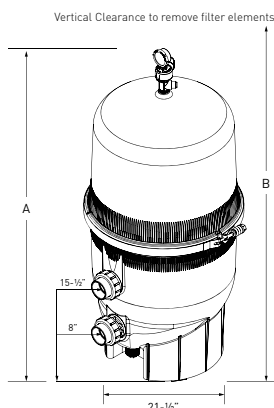
Ordering Information

Product	Model	Effective Filtration Area (Sq. Ft.)	Flow Rate (GPM)	Turnover Capacity (In Gallons)			D.E. Required (Lbs.)	Carton Qty.	Carton Wt. (Lbs.)
				8 Hour	10 Hour	12 Hour			
QUAD D.E. FILTERS									
188592	Quad D.E. 60	60	120	57,600	72,000	86,400	6.0	1	70
188593	Quad D.E. 80	80	160	76,800	96,000	115,200	8.0	1	80
188594	Quad D.E. 100	100	160	76,800	96,000	115,200	10.0	1	90
QUAD D.E. VALVE OPTIONS ¹									
261173	1-1/2 in. MPV, for Triton and Quad D.E. filters (SM 10-3)							1	3
263079	2 in. PVC Slide valve w/o plumbing, for D.E. & sand filters							1	7
261049	2 in. HiFlow valve, no plumbing							1	11
261050	2 in. HiFlow w/ plumbing, for Triton and Quad D.E. filters							1	10
261055	2 in. MPV, for Triton and Quad D.E. filters (SM 20-3)							1	5
263064	Push pull valve, 7-1/2 in. Center, Almond PVC							1	4
270100	Union Kit, 2 in. I.D. (For no valve assembly)							1	1
274426	Adapter Kit, 2-1/2 in. x 2 in.							1	1
263080	Valve for D.E., inlet port on bottom, Pentair 2 in. unions glued on XF Valve							1	12

¹ Valves must be purchased separately.

Certified to NSF/ANSI Standard 50

Product	A Dim.	B Dim.
188592	43"	62"
188593	49"	68"
188594	56"	74"



Dimensions and Performance

Note: Actual system flow will depend on plumbing size and other system components.

Note: Pentair Aquatic Systems does not recommend flow rates above 150 GPM.

* Integrated continuous High Flow internal air relief is operational only when there is unobstructed flow in the circulating system.

Note: Operating Limits – maximum continual operating pressure of 50 PSI. Pool/spa (bather) applications, maximum operating water temperature (internal filter) 104°F (40°C).

See page 376 for replacement parts.

SYSTEM:2™ MODULAR D.E. FILTERS

PLD SERIES FILTERS



TRADEGRADE



System:2 Modular D.E. Filter
PLD Series

Featured Highlights

- Typical Installations – Inground pools and inground hot tubs
- Quality Construction – Durable two-piece tank housing constructed of rugged ABS thermoplastic to ensure a long-lasting tank life
- Easy Access – Posi-Ring Closure provides fast access to tank internals
- Innovative Design – The innovative balanced flow design first introduced with the System : 3 Mod Media filter is now available in the smaller System:2 filter. Helps with a maintenance-free operation for pools of all sizes
- Low Maintenance – Complete media coverage combined with shallow pleats means greater dirt holding capabilities, resulting in longer filter cycles and less cleaning
- Modular Filter Tanks – Allows for quick change of filter medias without changing the tank

Sta-Rite delivers the benefits of D.E. filtration in a variation of their proven modular media technology. A single replaceable grid delivers improved water quality without the complex workings of other D.E. filters. Tank and one-piece grid design will help be a maintenance-free filter. Contemporary style and matte black finish looks attractive in any pool setting. The small diameter footprint makes the System:2 filter a perfect fit for new and retrofit installations. Filter includes 2 in. NPT Drain ports, which are provided with reducer bushing and 1-1/2 in. drain plug.

Ordering Information

Product	Effective Filter Area (Sq. Ft.)	Flow Rated ¹ at 1-2 GPM (per Sq. Ft.)	Turnover Capacity (Gallons) (Flow Rate x 60 x Hours)			Tank Port Size	D.E. ² Required (Lbs.)	Carton Wt. (Lbs.)
			6 Hour	8 Hour	10 Hour			
SYSTEM:2 MODULAR D.E. FILTER - PLD SERIES								
PLD50	30	30-60	11-22,000	14-29,000	18-36,000	2 in.	6 ³	37
PLD70	36	36-72	13-26,000	17-35,000	22-43,000	2 in.	4	38

¹ Based on NSF recommended flow rate for commercial at 1-2 GPM per square foot.

² Do not use more D.E. than shown here. Mixed results with D.E. alternatives.

³ PLD50 requires more D.E. than the PLD70 because of precoat design and flow characteristics.

Note: Operating Limits – maximum continual operating pressure of 50 PSI. Pool/spa (bather) applications, maximum operating water temperature (internal filter) 104°F (40°C).

CALIFORNIA PROPOSITION 65 WARNING

⚠ **WARNING:** Cancer and Reproductive Harm.
⚠ **AVERTISSEMENT:** Peut Causer le Cancer et des Dommages au Système Reproducteur.
⚠ **ADVERTENCIA:** Cáncer y Daño Reproductivo.

www.p65warnings.ca.gov
PH 2007EA

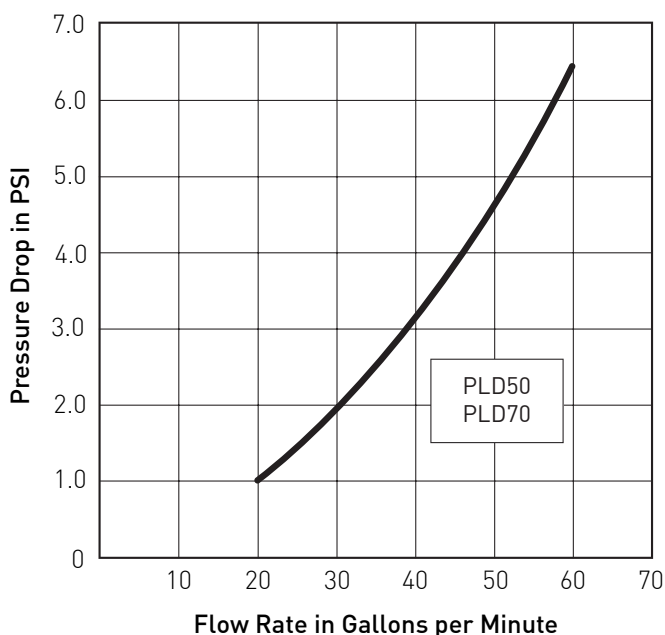
SYSTEM:2™ MODULAR D.E. FILTERS (CONT'D)

PLD SERIES FILTERS

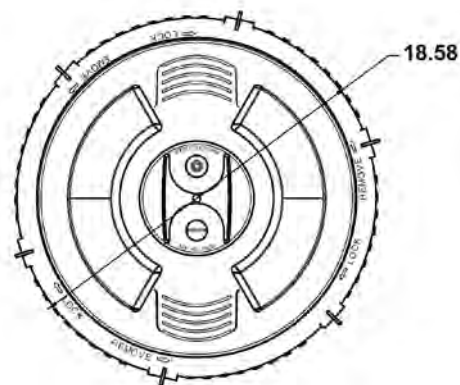
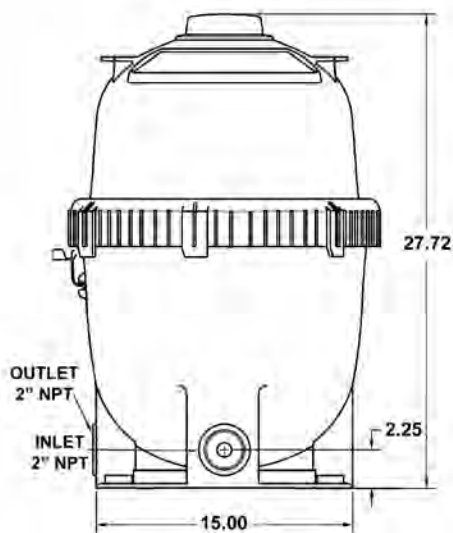
Ordering Information

Product	Description	Carton Weight (Lbs.)
ACCESSORIES FOR SYSTEM:2 MODULAR D. E. FILTER - PLD SERIES		
27002-0030S	30 sq. ft. Replacement Module for PLD50	10
27002-0036S	36 sq. ft. Replacement Module for PLD70	10
U78-820P	2 in. x 1-1/2 in. Pipe Reducer Bushing	1
27001-0130S	Spring Check Valve	1

Dimensions and Performance



**Certified to
NSF/ANSI Standard 50**



All dimensions shown in inches.

See page 378 for replacement parts.

SYSTEM:2™ MODULAR D.E. FILTERS

PLDE SERIES FILTERS



TRADEGRADE



System:2 Modular D.E. Filters
PLDE Series

Featured Highlights

- Typical Installations – Inground pools and inground hot tubs
- Quality Construction – Durable two-piece tank housing constructed of rugged ABS thermoplastic to ensure a long-lasting tank life
- Easy Access – Posi-Ring Locking Ring provides easy access to tank internals
- Innovative Design – The innovative, balanced-flow design – first introduced with the System : 3 Mod Media filter – is now available in the smaller System:2 filter. Helps with a maintenance-free operation for pools of all sizes.
- A Perfect Fit – The small diameter footprint makes the System:2 filter a perfect fit for new and retrofit installations
- Modular Filter Tanks – Allows for quick change of filter medias without changing the tank plumbing

Sta-Rite delivers the benefits of D.E. filtration in a variation of their proven modular media technology. A single replaceable grid delivers improved water quality without the complex workings of other D.E. filters. This innovative one-piece design is fully backwashable and can be plumbed with or without a backwash valve. 2 in. union valves are included for installations electing not to use a backwash valve. For deep-down cleaning, simply remove the filter lid and hose off in place. No more hassle of tearing down the grid assembly for cleaning and servicing. Contemporary style and matte black finish looks attractive in any pool setting.

CALIFORNIA PROPOSITION 65 WARNING

⚠ **WARNING:** Cancer and Reproductive Harm.
 ⚠ **AVERTISSEMENT:** Peut Causer le Cancer et des Dommages au Système Reproducteur.
 ⚠ **ADVERTENCIA:** Cáncer y Daño Reproductivo.

www.p65warnings.ca.gov

Ordering Information

Product	Effective Filter Area (Sq. Ft.)	Flow Rated ¹ at 1–2 GPM (per Sq. Ft.)	Turnover Capacity (Gallons) (Flow Rate x 60 x Hours)			Tank Port Size	D.E. ² Required (Lbs.)	Carton Wt. (Lbs.)
			6 Hour	8 Hour	10 Hour			
SYSTEM:2 MODULAR D.E. FILTER - PLDE SERIES								
PLDE36	36	36–72	13–26,000	17–35,000	22–43,000	2 in.	5.4	38
PLDE48	48	48–96	17–34,000	23–46,000	29–57,600	2 in.	7.2	46
PLDE VALVE OPTIONS³								
18202-0250	ABS 6-Position Valve with Union Connections – 1-1/2 in. Valve Port							5
18201-0300	ABS 6-Position Valve with Union Connections – 2 in. Valve Port							8
263053	VLV Push Pull, 7.81 in. center							12
262509	Valve with filter inlet port on top, no fittings, only valve							12

¹ Based on NSF recommended flow rate for commercial at 1–2 GPM per square foot.

² Do not use more D.E. than shown here. Mixed results with D.E. alternatives.

³ Valves must be purchased separately.

Note: Operating Limits – maximum continual operating pressure of 50 PSI. Pool/spa (bather) applications, maximum operating water temperature (internal filter) 104°F (40°C).

SYSTEM:2™ MODULAR D.E. FILTERS (CONT'D)

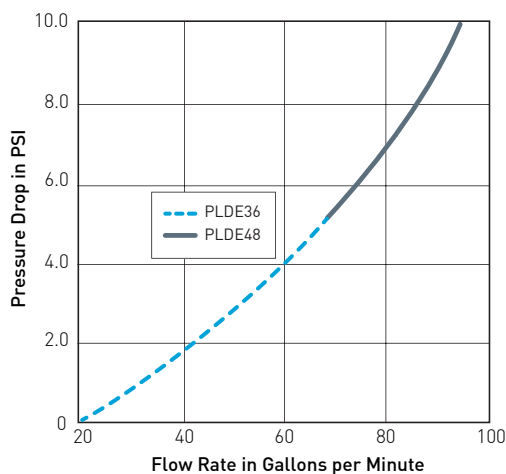
PLDE SERIES FILTERS

Ordering Information

Product	Description	Carton Weight (Lbs.)
ACCESSORIES FOR SYSTEM:2 MODULAR D.E. FILTER - PLDE SERIES		
27002-0036S	36 sq. ft. Replacement Module for PLD50, PLDE36	10
27002-0048S	48 sq. ft. Replacement Module for PLDE48	11
PKG 188Z	2 in. Union Half x 2 in. Slip - Package of 2	1
77703-0101	2 in. Union Half x 1-1/2 in. Slip - Package of 2	1

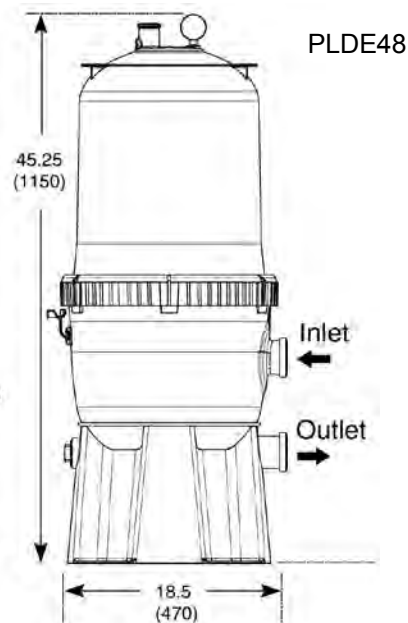
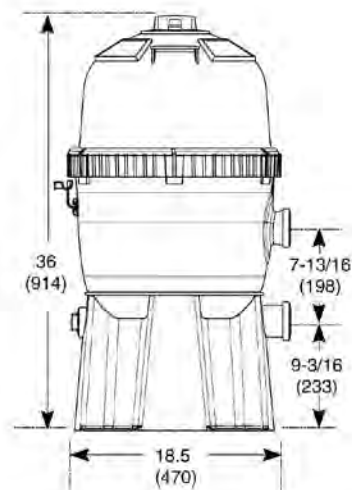
Dimensions and Performance

PLDE SERIES FILTER PERFORMANCES				
PLDE36	35,000	36	54	5.4
PLDE48	46,000	48	72	7.2



**Certified to
NSF/ANSI Standard 50**

PLDE36
All dimensions shown in inches.



See page 379 for replacement parts.

SYSTEM:3® D.E. FILTERS

SD SERIES FILTERS



TRADEGRADE



System:3 D.E. Filters
SD Series

Featured Highlights

- Typical Installations – Inground pools, inground hot tubs, and water features
- Quality Construction – Durable two-piece tank housing constructed of Dura-Glas™, Sta-Rite's industry leading glass-reinforced composite resin
- Easy Access – Posi-Lok™ Clamps provides easy access to tank internals
- Innovative Design – 2 in. plumbing throughout combined with Sta-Rite's rectangular grid system provides D.E. filtration
- Low Maintenance – Easy backwash capabilities means less manual cleaning of the grids
- Dual Drain Plugs – Side plug assembly includes 1-1/2 in. NPT port for direct discharge plumbing
- Sleek Looks – Contemporary style and matte black finish looks attractive in any pool setting

D.E. is now more practical for all backyard pools as well. System:3 brings you the proven performance of Sta-Rite's diatomaceous earth media in an easy-to-operate filter. The greater cycle times and minimized maintenance of the System:3, coupled with Sta-Rite's grid system, gives you the finest D.E. filter available.

Ordering Information

Product	Effective Filter Area (Sq. Ft.)	Flow Rated ¹ at 1-2 GPM (per Sq. Ft.)	Turnover Capacity (Gallons) (Flow Rate x 60 x Hours)			Tank Port Size	D.E. ² Required (Lbs.)	Carton Wt. (Lbs.)
			6 Hour	8 Hour	10 Hour			
SYSTEM:3 D. E. FILTERS - SD SERIES								
S7D75	37	37-74	13-27,000	18-36,000	22-44,000	2 in.	3.7	112
S8D110	53	53-106	19-38,000	26-51,000	32-64,000	2 in.	5.3	136
SD SERIES VALVE OPTIONS³								
18202-0150	ABS 6-Position Valve with Union Connections – 1-1/2 in. Valve Port							5
18201-0200	ABS 6-Position Valve with Union Connection – 2 in. Valve Port							8
263053	VLV Push Pull, 7.81 in. center							12
262508	Sta-Rite version for System 3 D.E. and Sand, inlet on bottom, with Sta-Rite offset adapters glued on							12
ACCESSORIES FOR SYSTEM:3 MODULAR D. E. FILTER - SD SERIES								
25021-1021	DE Conversion Kit – S7D75 - Grid Assembly and Valve Sold separately (new valve may be required)							18
25021-1025	DE Conversion Kit – S8D110 - Grid Assembly and Valve Sold separately (new valve may be required)							20

¹ Based on NSF recommended flow rate for commercial at 1-2 GPM per square foot.

² Do not use more D.E. than shown here. Mixed results with D.E. alternatives.

³ Valves must be purchased separately.

Note: Operating Limits – maximum continual operating pressure of 50 PSI. Pool/spa (bather) applications, maximum operating water temperature (internal filter) 104°F (40°C).

CALIFORNIA PROPOSITION 65 WARNING

▲ **WARNING:** Cancer and Reproductive Harm.
▲ **AVERTISSEMENT:** Peut Causer le Cancer et des Dommages au Système Reproducteur.
▲ **ADVERTENCIA:** Cáncer y Daño Reproductivo.

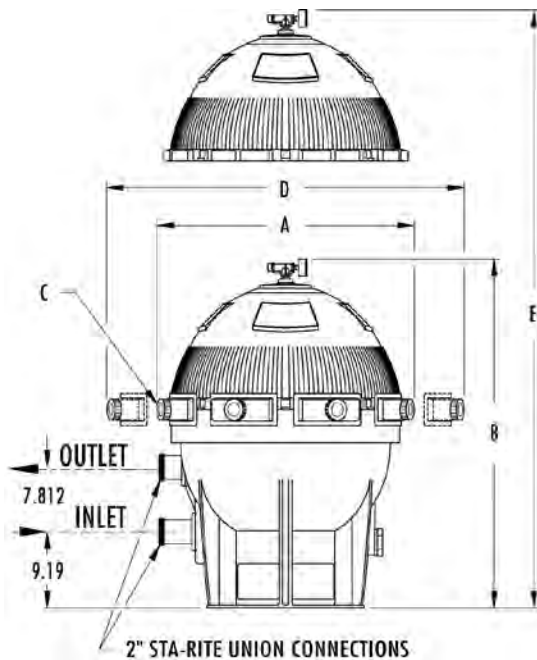
www.p65warnings.ca.gov. PS 201514

SYSTEM:3® D.E. FILTERS (CONT'D)

SD SERIES FILTERS

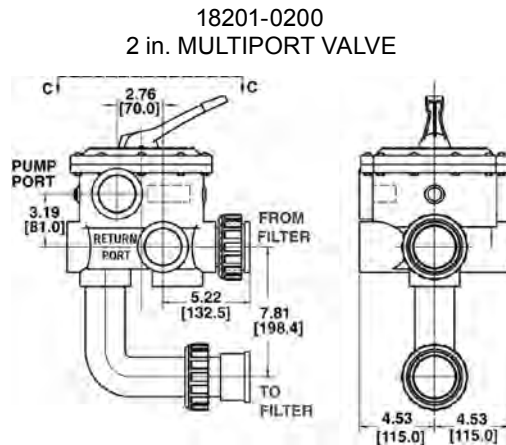
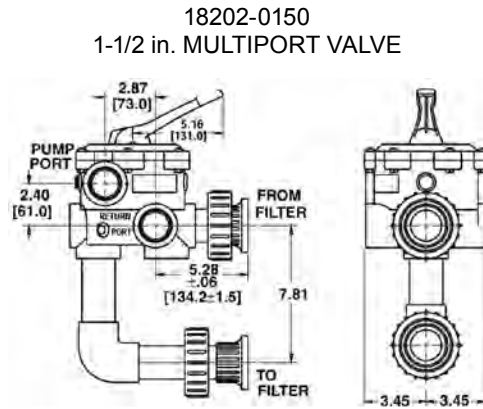
Dimensions and Performance

Certified to
NSF/ANSI Standard 50

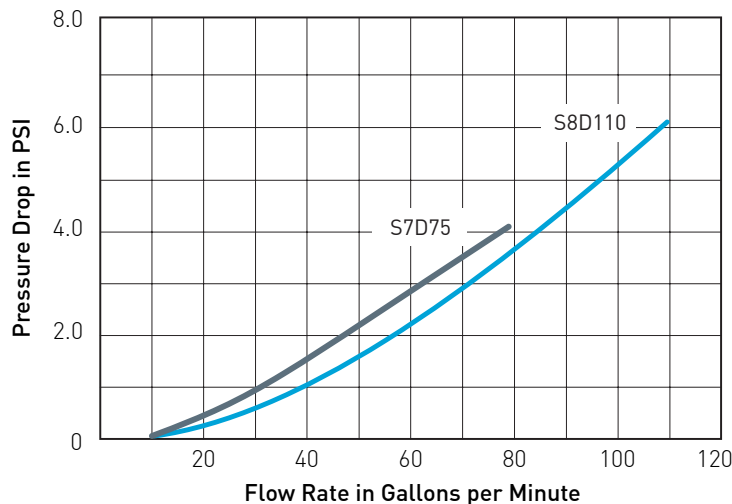


Catalog Number	DIMENSION				
	A	B	C	D	E
S7D75	28-1/2	42	7	36	50
S8D110	32-1/2	42-1/4	8	40	50

- A = width
 - B = height
 - C = number of clamps
 - D = area (width) needed to take off clamps
 - E = area (height) needed to remove top half of tank
- All dimensions shown in inches.



All dimensions shown in inches.



See page 380–381 for replacement parts.

SYSTEM:3® MODULAR D.E. FILTERS

SMD SERIES FILTERS



TRADEGRADE



System:3 Modular D.E. Filters
SMD Series

Featured Highlights

- Typical Installations – Inground pools, inground hot tubs, and water features
- Quality Construction – Durable two-piece tank housing constructed of Dura-Glas™, Sta-Rite's industry leading glass-reinforced composite resin
- Easy Access – Posi-Lok™ Clamps provides easy access to tank internals
- Modular Filter Tanks – Allows for quick change of filter medias without changing the tank
- Low Maintenance – Easy backwash capabilities means less manual cleaning of the grids
- Dual Drain Plugs – Side plug assembly includes 1-1/2 in. NPT port for direct discharge plumbing
- Sleek Looks – Contemporary style and matte black finish looks attractive in any pool setting

Sta-Rite is proud to bring you the proven technology of System:3 Modular Media into the world of D.E. With balanced flow and integral manifold design, the System:3 Modular D.E. filter brings pool filtration to new heights. Available in 2 sizes, 60 and 72 sq. ft., System:3 Modular Media D.E. filtration will bring years of sparkling clear water to your customer's pool or spa. For cleaning, simply remove filter lid and hose off in place. No more hassle of tearing down the grid assembly for cleaning and servicing. The balanced flow design allows for a constant D.E. cake on the entire module, assuring full optimization of the module and longer cycles between cleanings.

Ordering Information

Product	Effective Filter Area (Sq. Ft.)	Flow Rated ¹ at 1–2 GPM (per Sq. Ft.)	Turnover Capacity (Gallons) (Flow Rate x 60 x Hours)			Tank Port Size	D.E. Required (Lbs.)	Carton Wt. (Lbs.)
			6 Hour	8 Hour	10 Hour			
SYSTEM:3 MODULAR D.E. FILTERS - SMD SERIES								
S7MD60	60	60–120	21–32,400	28–43,200	36–54,000	2 in.	9	115
S7MD72	72	72–144	25–38,880	34–51,800	43–64,800	2 in.	11	117
SMD SERIES VALVE OPTIONS								
18201-0300	ABS 6-Position Valve with Union Connections – 2 in. Port Valve							8
263053	VLV Push Pull, 7.81 in. center							12
ACCESSORIES FOR SYSTEM:3 MODULAR D.E. FILTER - SMD SERIES								
25023-0160S	60 sq. ft. Replacement D.E. Element							20
25023-0172S	72 sq. ft. Replacement D.E. Element							21
PKG 188Z	Union x 2 in. Slip Adapter – Pkg. of 2							1
PKG 189	Union x 2 in. FPT Adapter – Pkg. of 2							1
23910-1100S	System 3 Modular D.E. Conversion Kit (replacement element required; new valve may be required)							3

¹ Based on NSF recommended flow rate for commercial at 1–2 GPM per square foot.

Note: Operating Limits – maximum continual operating pressure of 50 PSI. Maximum operating water temperature (internal filter) 104°F (40°C).

CALIFORNIA PROPOSITION 65 WARNING

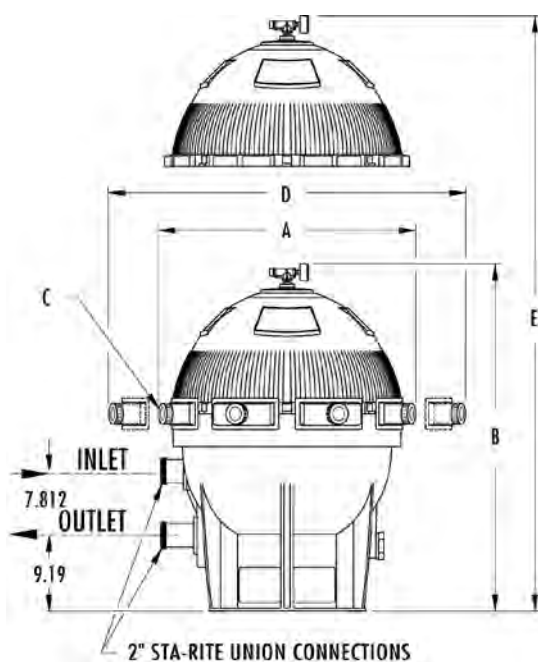
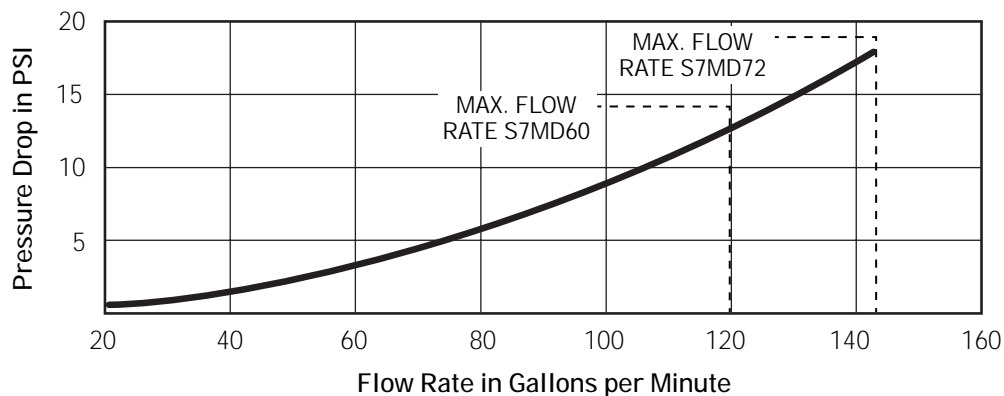
▲ **WARNING:** Cancer and Reproductive Harm.
▲ **AVERTISSEMENT:** Peut Causer le Cancer et des Dommages au Système Reproducteur.
▲ **ADVERTENCIA:** Cáncer y Daño Reproductivo.

www.p65warnings.ca.gov
PK 201714

SYSTEM:3® MODULAR D.E. FILTERS (CONT'D)

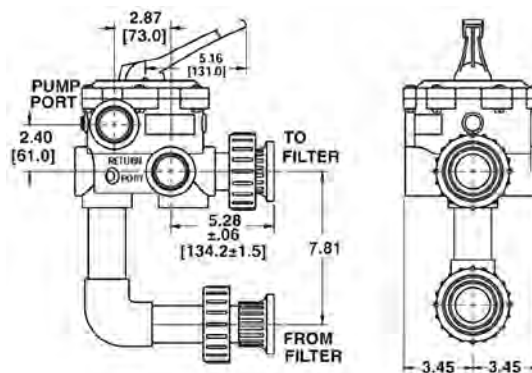
SMD SERIES FILTERS

Dimensions and Performance



18201-0300
2 in. MULTIPORT VALVE

**Certified to
NSF/ANSI Standard 50**



18201-0300
2 in. SLIDE VALVE

DIMENSION

Catalog Number	A	B	C	D	E
S7MD60	28-1/2	42	7	36	50
S7MD72	28-1/2	42	7	36	50

- A = width
- B = height
- C = number of clamps
- D = area (width) needed to take off clamps
- E = area (height) needed to remove top half of tank

All dimensions shown in inches.

See page 382 for replacement parts.

D.E. SEPARATION TANK 100



Separation Tank 100

Featured Highlights

Quarter turn locking-ring provides quick and easy access for removing debris bag. Offers 2 x 2-1/2 inch unionized fittings. Debris bag holds up to 10 lbs of D.E.

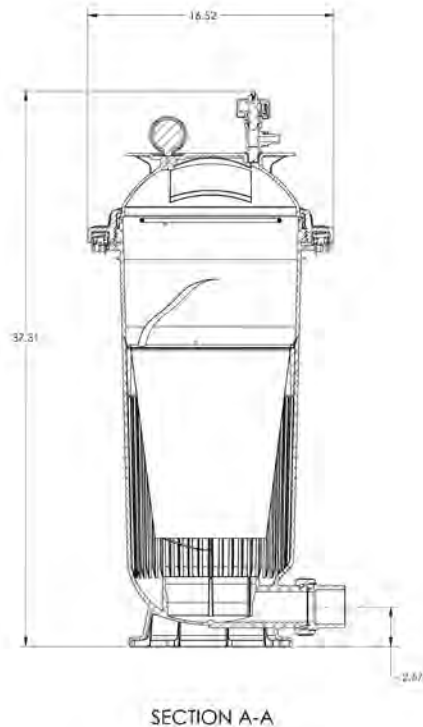
CALIFORNIA PROPOSITION 65 WARNING

⚠ **WARNING:** Cancer and Reproductive Harm.
 ⚠ **AVERTISSEMENT:** Peut Causer le Cancer et des Dommages au Système Reproducteur.
 ⚠ **ADVERTENCIA:** Cáncer y Daño Reproductivo.
www.p65warnings.ca.gov

Ordering Information

Product	Pipe For Filters	Connections	Carton Wt. (Lbs.)
D.E. SEPARATION TANK			
300005	100 sq. ft.	2 x 2-1/2 in. SLIP	30

Dimensions and Performance



See page 395 for replacement parts.

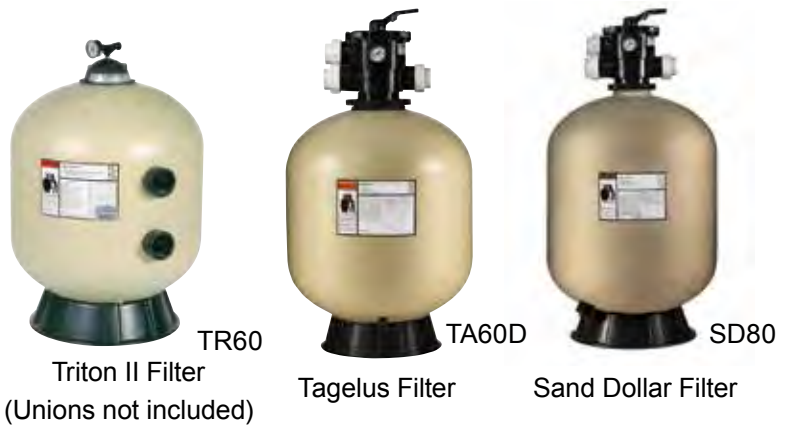
TRITON® II, TAGELUS® & SAND DOLLAR® FILTERS

WITH CLEARPRO TECHNOLOGY®

Featured Highlights

- All the same, great features of the Triton II, Tagelus and Sand Dollar Filters
- Helps improve water quality
- Max water temperature for Sand Dollar is 95° F

CALIFORNIA PROPOSITION 65 WARNING
 ⚠️ **WARNING:** Cancer and Reproductive Harm.
 ⚠️ **AVERTISSEMENT:** Peut Causer le Cancer et des Dommages au Système Reproducteur.
 ⚠️ **ADVERTENCIA:** Cáncer y Daño Reproductivo.
www.p65warnings.ca.gov

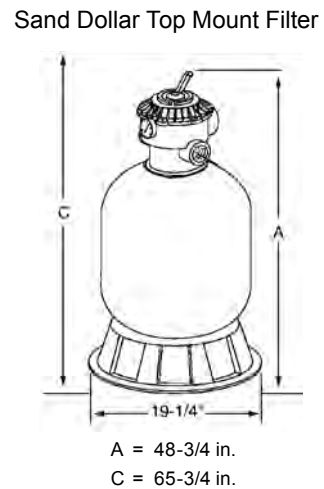
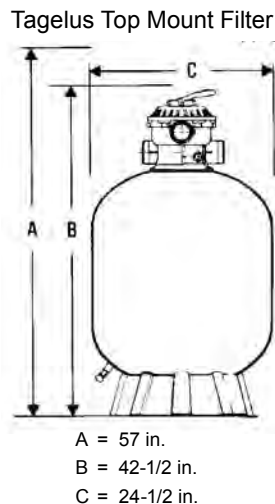
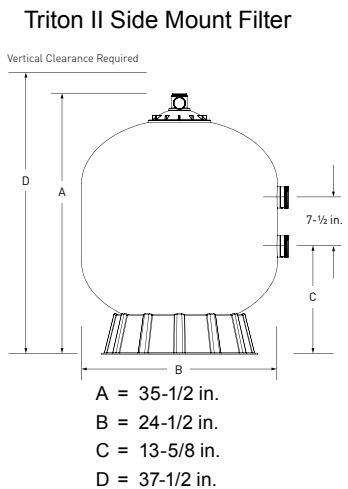


Ordering Information

Product	Model	Effective Filtration Area (Sq. Ft.)	Max. Press (PSI)	Flow Rate (GPM)	Turnover Capacity (In Gal.)			Filter Media		All Sand Req'd (Lbs.)	Ctn Qty.	Ctn Wt. (Lbs.)
					8 Hour	10 Hour	12 Hour	Pea Gravel Required (Lbs.)	Sand Req'd (Lbs.)			
TRITON II SAND FILTERS												
140212	TR 60	3.14	50	63	30,240	37,800	45,360	75	250	325	1	40
TAGELUS FILTERS												
145201	TA 60D	3.1	50	60	28,800	36,000	43,200	N/A	N/A	325	1	30
145389*	TA 60D	3.1	50	60	28,800	36,000	43,200	N/A	N/A	325	1	30
SAND DOLLAR FILTERS												
145300	SD 80	3.5	50	75	36,000	45,000	54,000	N/A	N/A	350	1	76
145388*	SD80	3.5	50	75	36,000	45,000	54,000	N/A	N/A	350	1	76
145390	CFII26 w 2" Hybrid Viv											

* with 2 in. valve

Dimensions and Performance



SAND DOLLAR® TOP MOUNT FILTER

THERMOPLASTIC TANK WITH CLAMP STYLE MULTIPOST VALVE

TRADEGRADE



SD80
with 2 in. valve

Sand Dollar Top Mount Filter

Featured Highlights

- Six-position, top-mounted multiport valve
- Combination water and sand drain makes servicing and winterizing fast and easy

The one piece Sand Dollar filter features a clamp style, six-position multiport valve. Special lateral design provides flow characteristics and extended filter cycles to aid economical operation.

* Max water temperature for Sand Dollar 95° F

CALIFORNIA PROPOSITION 65 WARNING

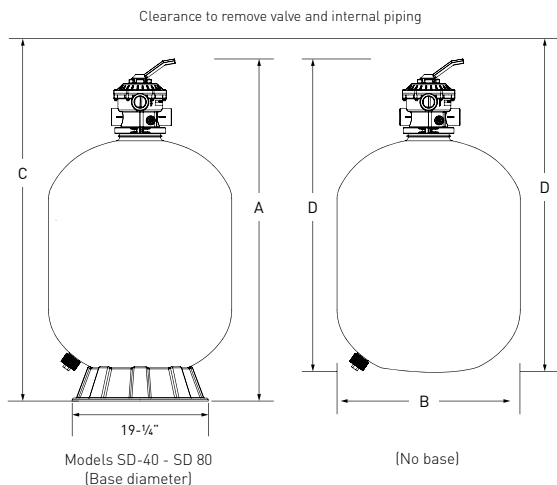
⚠ **WARNING:** Cancer and Reproductive Harm.
 ⚠ **AVERTISSEMENT:** Peut Causer le Cancer et des Dommages au Système Reproducteur.
 ⚠ **ADVERTENCIA:** Cáncer y Daño Reproductivo.
www.p65warnings.ca.gov

Ordering Information

Product	Model	Effective Filtration Area (Sq. Ft.)	Max. Pressure (PSI)	Flow Rate (GPM)	Turnover Capacity (In Gallons)			All Sand Required (Lbs.)	Carton Qty.	Carton Wt. (Lbs.)
					8 Hour	10 Hour	12 Hour			
SAND DOLLAR FILTERS										
145315	SD 35	1.4	30	35	16,800	21,000	25,200	100	1	22
145320	SD 40	1.8	35	40	19,200	24,000	28,800	150	1	24
145322	SD 60	2.3	40	60	28,800	36,000	43,200	250	1	28
145367	SD 70	3.15	50	70	33,600	42,000	54,000	300	1	58
145333	SD80	3.5	50	75	36,000	45,000	54,000	350	1	76
145386*	SD80 2 in.	3.5	50	75	36,000	45,000	54,000	350	1	76

Dimensions and Performance

* with 2 in. valve



DIMENSION TABLE

Model	A DIM.	B DIM.	C DIM.	D DIM.	E DIM.
SD 35	33-1/2 in.	16-1/2 in.	37 in.	30-3/4 in.	34-1/4 in.
SD 40	37-3/4 in.	19-1/2 in.	46-1/4 in.	35 in.	43-1/2 in.
SD 60	43-3/4 in.	22-1/2 in.	52-1/2 in.	40-3/4 in.	49-1/4 in.
SD 70	46-1/4 in.	24 in.	57 in.	43-1/4 in.	53-3/4 in.
SD 80	48-3/4 in.	26 in.	65-3/4 in.	45-5/8 in.	62-1/2 in.

TAGELUS® TOP MOUNT FILTER

FIBERGLASS TANK WITH MULTIPOINT VALVE, CLAMP STYLE

Featured Highlights

- Special lateral design provides flow characteristics and extended filter cycles to aid economical operation
- Maximum Operating Pressure 50 psi
- Combination water and sand drain makes servicing and winterizing fast and easy
- 40 and 60D models standard with plastic clamp

Our process creates a one-piece, fiberglass reinforced tank with strength and durability. Tagelus filters are equipped with a six-position, clamp style, top-mounted multiport valve.

CALIFORNIA PROPOSITION 65 WARNING

⚠ **WARNING:** Cancer and Reproductive Harm.
⚠ **AVERTISSEMENT:** Peut Causer le Cancer et des Dommages au Système Reproducteur.
⚠ **ADVERTENCIA:** Cáncer y Daño Reproductivo.
www.p65warnings.ca.gov

TRADEGRADE



TA60D
with 2 in. valve

Tagelus Top Mount Filter
(Unions sold separately)

Ordering Information

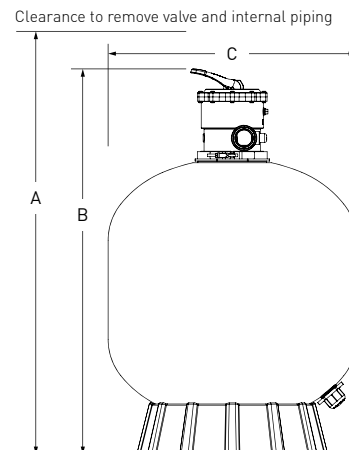
Product	Model	Effective Filtration Area (Sq. Ft.)	Flow Rate (GPM)	Turnover Capacity (In Gallons)			All Sand Required (Lbs.)	Carton Qty.	Carton Wt. (Lbs.)
				8 Hour	10 Hour	12 Hour			
TAGELUS FILTERS									
144126	TA 40D	1.8	40	19,200	24,000	28,800	175	1	30
145241	TA 60D	3.1	60	28,800	36,000	43,200	325	1	38
145240	TA 100D	4.9	100	48,000	60,000	72,000	600	1	78
145385*	TA60D(2)	3.1	60	28,800	36,000	43,200	325	1	38

Note: Operating Limits – maximum continual operating pressure of 50 PSI. Maximum operating water temperature (internal filter) 104°F (40°C). Unions shown in product image above sold separately.

* with 2 in. valve

Dimensions and Performance

MODEL	A. DIM.	B DIM.	C DIM.
TA 40D	47 in.	37 in.	19-1/2 in.
TA 60D	57 in.	42-1/2 in.	24-1/2 in.
TA 100D	65-1/2 in.	47-1/4 in.	30-1/2 in.



See page 385–386 for replacement parts.

TRITON® II SIDE MOUNT FILTERS

FIBERGLASS SAND FILTER WITHOUT VALVES

TRADEGRADE



Triton II Side Mount Filter
(Unions not included)

The original and still the industry standard. Our process creates a one-piece, fiberglass reinforced tank with UV resistant surface finish for years of strength and durability. This method locks in fiberglass, preventing fibers from “blooming” under harsh conditions.

Featured Highlights

- Heavy-duty closure provides easy inspection, and features an easy-to-read pressure gauge with air relief valve
- Swing-away diffuser allows instant access to sand and all internal parts
- All internal parts are threaded for ease of service
- Internal air bleed
- Bulkhead connectors are threaded for easy installation and service
- Combination sand and water drain makes servicing and winterizing fast and easy
- Maximum Operating Pressure 50 psi

CALIFORNIA PROPOSITION 65 WARNING

⚠ **WARNING:** Cancer and Reproductive Harm.
 ⚠ **AVERTISSEMENT:** Peut Causer le Cancer et des Dommages au Système Reproducteur.
 ⚠ **ADVERTENCIA:** Cáncer y Daño Reproductivo.
www.p65warnings.ca.gov

Ordering Information

Product	Model	Effective Filtration Area (Sq. Ft.)	Flow Rate (GPM Comm)	Turnover Capacity (In Gal.)			Filter Media		All Sand Req'd (Lbs.)	Ctn Qty.	Ctn Wt. (Lbs.)
				8 Hour	10 Hour	12 Hour	Pea Gravel Req'd (Lbs.)	Sand Req'd (Lbs.)			
TRITON II SAND FILTERS											
140236	TR 40	1.92	38	18,240	22,800	27,360	50	125	175	1	25
140264	TR 60	3.14	63	30,240	37,800	45,360	75	250	325	1	40
140210	TR 100	4.91	74	35,520	44,400	53,280	150	450	600	1	65
140243	TR 140	7.06	106	50,880	63,600	76,320	275	650	925	1	75
TRITON II VALVE OPTIONS ¹											
261173	1-1/2 in. MPV, for sand filters (SM 10-3)									1	6
263079	2 in. PVC Slide valve w/o plumbing, for D.E. & sand filters									1	3
261049	2 in. HiFlow valve, no plumbing									1	7
261050	2 in. HiFlow w/ plumbing, for sand filters									1	11
261055	2 in. MPV, for sand filters (SM 20-3)									1	10
263064	Push Pull 7-1/2 in. Center Valve, Almond PVC									1	5
263080	Valve for Sand and Quad D.E., inlet port on top, Pentair 2 in. unions glued on XF Valve									1	10

¹ Valves must be purchased separately.

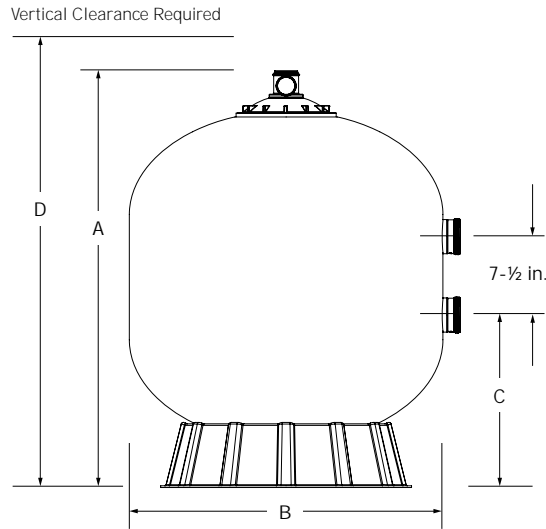
Note: Operating Limits – maximum continual operating pressure of 50 PSI. Maximum operating water temperature (internal filter) 104°F (40°C).

TRITON® II SIDE MOUNT FILTERS (CONT'D)

FIBERGLASS SAND FILTER WITHOUT VALVES

Dimensions and Performance

**Certified to
NSF/ANSI Standard 50**



DIMENSION TABLE

MODEL	A. DIM.	B DIM.	C DIM.	D DIM.
TR 40	30-1/2 in.	19-1/2 in.	10-3/4 in.	32-1/2 in.
TR 50	34-3/4 in.	21-1/2 in.	11-7/8 in.	36-3/4 in.
TR 60	35-1/2 in.	24-1/2 in.	13-5/8 in.	37-1/2 in.
TR 100	39-3/4 in.	30-1/2 in.	16-1/4 in.	41-3/4 in.
TR 140	45-1/4 in.	36-1/2 in.	18-3/4 in.	47-1/4 in.

CRISTAL-FLO™ II TOP-MOUNT FILTERS

HIGH RATE SAND FILTERS



TRADEGRADE



Cristal-Flo II
Top-Mount Filters

Featured Highlights

- Quality Construction – Durable one-piece extra-thick molded polyethylene tank
- 6-Position Valve – Allows you to perform all necessary water movement functions.
- Large Drain Plug – Large drain plug is easy to get at for removing and installing by hand or with tools if required
- Sleek Looks – Contemporary style with a textured black finish that provides great performance in all weather conditions
- Innovative - Integrated continuous High Flow™ Internal Air Relief *

For residential inground or aboveground swimming pools requiring turnover through 54,000 gallons, at flow rates up to 20 GPM for 8 to 10 hours. Permanent media high rate sand filters in 16 in., 19 in., 22 in., 24 in. and 26 in. diameter models accommodate large and small pools, offering a combination of performance, durability and ease of maintenance. Corrosion-resistant, one-piece, extra-thick molded polyethylene tank assures long service life. Top-mounted, corrosion-resistant multiport selector valve included. Also includes a convenient tank winterizing drain and continuous air relief system. *Max Operating Temp 95°F

CALIFORNIA PROPOSITION 65 WARNING

⚠️ **WARNING:** Cancer and Reproductive Harm.
 ⚠️ **AVERTISSEMENT:** Peut Causer le Cancer et des Dommages au Système Reproducteur.
 ⚠️ **ADVERTENCIA:** Cáncer y Daño Reproductivo.

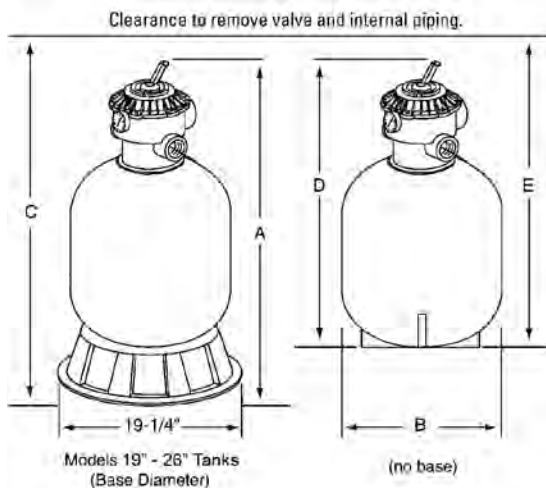
www.p65warnings.ca.gov

Ordering Information

Product	Effective Filtration Area (Sq. Ft.)	Max. Pressure (PSI)	Flow Rate (GPM)	Turnover Capacity (In Gallons)			All Sand Required (Lbs.)	Carton Qty.	Carton Wt. (Lbs.)
				8 Hour	10 Hour	12 Hour			
CRISTAL-FLO II FILTERS									
145359	1.4	30	35	16,800	21,000	25,200	100	1	22
145360	1.8	35	40	19,200	24,000	28,800	150	1	24
145361	2.3	40	60	28,800	36,000	43,200	250	1	28
145362	3.15	50	70	33,600	42,000	54,000	300	1	58
145363	3.5	50	75	36,000	45,000	54,000	350	1	76
145387*	3.5	50	75	36,000	45,000	54,000	350	1	76

* with 2 in. valve

Dimensions and Performance



DIMENSION TABLE

Model	A DIM.	B DIM.	C DIM.	D DIM.	E DIM.
145359	33-1/2 in.	16-1/2 in.	37 in.	30-3/4 in.	34-1/4 in.
145360	37-3/4 in.	19-1/2 in.	46-1/4 in.	35 in.	43-1/2 in.
145361	43-3/4 in.	22-1/2 in.	52-1/2 in.	40-3/4 in.	49-1/4 in.
145362	46-1/4 in.	24 in.	57 in.	43-1/4 in.	53-3/4 in.
145363	48-3/4 in.	26 in.	65-3/4 in.	45-5/8 in.	62-1/2 in.
145387	48-3/4 in.	26 in.	65-3/4 in.	45-5/8 in.	62-1/2 in.

* Integrated continuous High Flow internal air relief is operational only when there is unobstructed flow in the circulating system.

See page 389 for replacement parts.

SYSTEM:3® SAND FILTERS

SS SERIES FILTERS



TRADEGRADE

Featured Highlights

- Typical Installations – Inground pools, inground hot tubs, and water features
- Quality Construction – Durable two-piece tank housing constructed of Dura-Glas™, Sta-Rite's industry leading glass-reinforced composite resin
- Innovative Design – The innovative design of the System : 3 tank combined with the lateral/hub assembly produces a balanced flow of water and deeper sand bed penetration
- Low Maintenance – The deep sand bed holds more dirt, resulting in longer filter cycles and less cleaning
- Dual Drain Plugs – Side plug helps make sand removal easy, while the bottom plug comes with integral screen for easy draining without the loss of sand
- Sleek Looks – Contemporary style and matte black finish looks attractive in any pool setting



System:3 Sand Filters
SS Series

System:3 brings you the proven performance of Sta-Rite's sophisticated sand filter hydraulics in an easier-to-operate filter. Highly efficient, its sophisticated design yields a uniform flow pattern through a deeper sand bed. Modular filter tanks allows for quick change of filter medias without changing the tank. Contemporary style and matte black finish looks attractive in any pool setting.

Ordering Information

Product	Filter Area (Sq. Ft.)	Flow Rated ¹ at 15–20 GPM (per Sq. Ft.)	Turnover Capacity (Gallons) (Flow Rate x 60 x Hours)			Tank Port Size	Sand ² Required (Lbs.)	Carton Wt. (Lbs.)
			6 Hour	8 Hour	10 Hour			
SYSTEM:3 SAND FILTERS - SS SERIES								
S7S50	2.4	36–48	13–17,000	17–23,000	22–29,000	2 in.	200	103
S8S70	3.4	51–68	18–25,000	25–33,000	31–41,000	2 in.	300	121
SS SERIES VALVE OPTIONS³								
18202-0150	ABS 6-Position Valve with Union Connections – 1-1/2 in. Valve Port							5
18201-0200	ABS 6-Position Valve with Union Connections – 2 in. Valve Port							8
263053	VLV Push Pull, 7.81 in. center							4
262508	FullFloXF for System 3 D.E. and Sand, inlet on bottom, with Sta-Rite offset adapters glued on							10
ACCESSORIES FOR SS SERIES								
25021-2021	Sand Conversion Kit – S7S50 - Collector Assembly and Valve Sold Separately (new valve may be required)							5
25021-2025	Sand Conversion Kit – S8S70 - Collector Assembly and Valve Sold Separately (new valve may be required)							6

¹ Based on NSF recommended flow rate for commercial at 15–20 GPM per square foot.

² Use only #20 white quartz silica sand, size range 0.40–0.55 mm; 12 in. to 15 in. sand bed depth required.

³ Valves must be purchased separately.

Note: Operating Limits – maximum continual operating pressure of 50 PSI. Pool/Spa (bather) applications, maximum water temperature (internal filter) 104°F (40°C).

CALIFORNIA PROPOSITION 65 WARNING

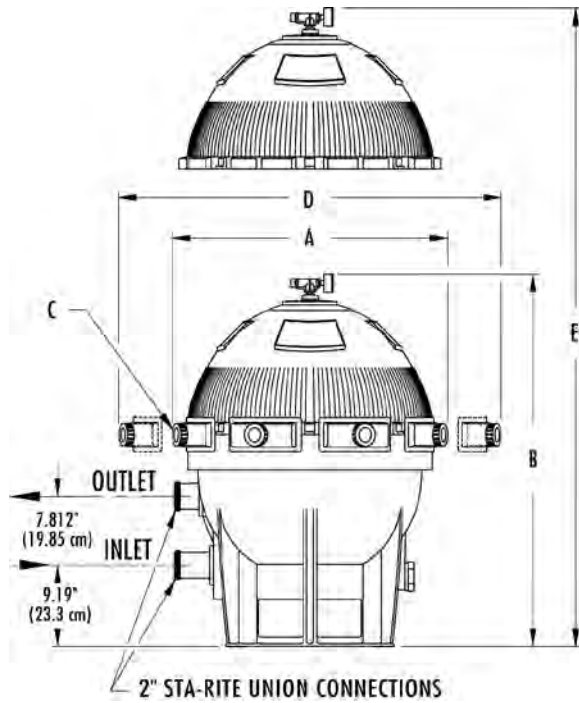
⚠ **WARNING:** Cancer and Reproductive Harm.
 ⚠ **AVERTISSEMENT:** Peut Causer le Cancer et des Dommages au Système Reproducteur.
 ⚠ **ADVERTENCIA:** Cáncer y Daño Reproductivo.

www.p65warnings.ca.gov. PH202174A

SYSTEM:3® SAND FILTERS (CONT'D)

SS SERIES FILTERS

Dimensions and Performance

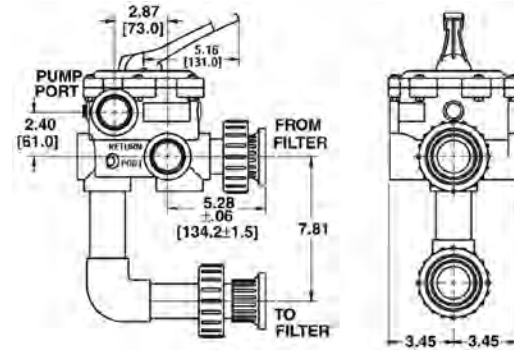


Catalog Number	DIMENSION				
	A	B	C	D	E
S7S50	28-1/2	42	7	36	50
S8S70	32-1/2	42-1/4	8	40	50

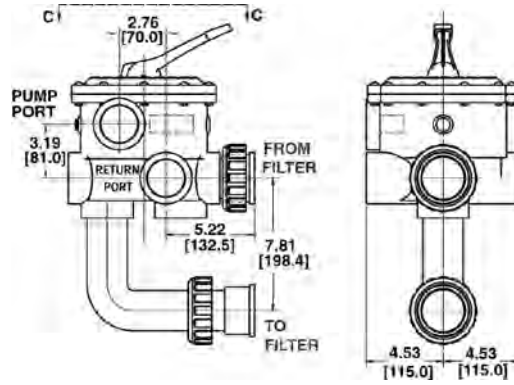
- A = width
 - B = height
 - C = number of clamps
 - D = area (width) needed to take off clamps
 - E = area (height) needed to remove top half of tank
- All dimensions shown in inches.

**Certified to
NSF/ANSI Standard 50**

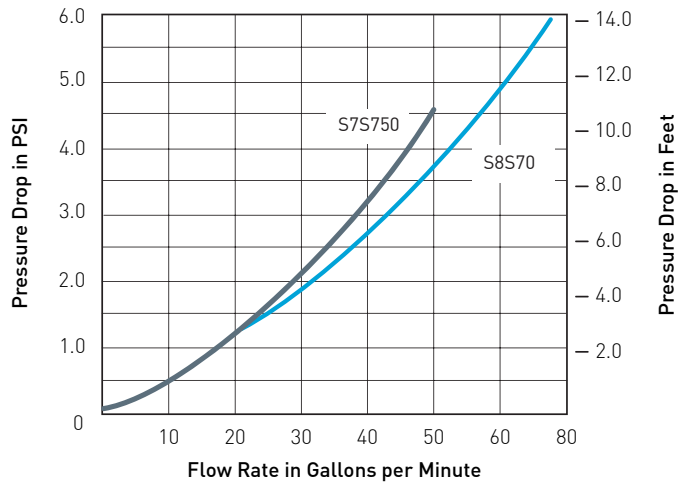
18202-0150
1-1/2 in. MULTIPOINT VALVE



18201-0200
2 in. MULTIPOINT VALVE



All dimensions shown in inches.



See page 390 for replacement parts.

THS SERIES® HORIZONTAL SAND FILTER

Featured Highlights

- Five sizes to 27 sq. ft.
- Manway in front for easier access and smaller footprint
- Manway with viewport available as option
- 6 in. flanged connections, 4 in. victaulic on the THS Series 3461
- Optional manual, semi-automatic, and automatic backwash systems for one and two tank systems
- Two backwash controllers to choose from
- Influent manifold distribution to prevent clogging
- NSF approved from 5–20 gpm/sq. ft.



THS Series Horizontal Sand Filter

The THS Series Filter is an NSF-approved 50 psi rated tank with flow rates up to 535 gallons per minute. The filter shell is manufactured from a lasting composite laminate design that makes winding unnecessary. Paracote®, a waterbased, coating, provides remarkable surface protection.

Ordering Information

Product	Model	Description	Effective Filtration Area (Sq. Ft.)	Flow Rate (15 GPM/ Sq. Ft.)	6 Hour Turnover Capacity (In Gallons)	Filter Media		All Sand Required (Lbs.)	Carton Wt. (Lbs.)
						Pea Gravel Required (Lbs.)	Sand Required (Lbs.)		
THS SERIES HORIZONTAL FILTER									
143461	THS3461	THS 34 in. x 61 in.	13.5	203	73,080	300	1250	1550	550
143484	THS3484	THS 34 in. x 84 in.	19.0	285	102,600	600	1350	1950	610
144272	THS4272	THS 42 in. x 72 in.	19.7	295	106,200	500	2100	2600	650
144284	THS4284	THS 42 in. x 84 in.	23.2	348	125,280	600	2400	3000	725
144296	THS4296	THS 42 in. x 96 in.	26.7	400	144,000	700	2800	3500	800
CONTROLLERS (MUST USE WITH DIAPHRAGM VALVES MANIFOLD KITS)									
156400	Single THS manual controller 6 in. FP				156850	Single THS CA100 autbackwash controller			
156450	Dual THS manual controller 6 in. FP				CS400-01	CS400 backwash controller for single tank system			
156800	Dual THS CA100 autbackwash controller				CS400-02	CS400 backwash controller for dual tank system			



CM200 Manual Backwash Controller
This is the simplest option. No electronics or programming required. Simply turn the knob to backwash each tank in the system.



CS 400 Commercial Backwash Controller
This controller is programmable and controls every aspect of the backwash cycle once initiated. Backwash can be initiated three ways: by an operator with the touch of a button, by a signal from a master controller (such as the AK600), or by a signal from an optional differential pressure switch (CS400-DP). Stored backwash data and history, alarms, and calculated backwash cycle times are also features of the CS400 controller, as are relays for communication with the heater, pump and Acu Drive.



CA 100 Fully Automatic Backwash Controller
This is the most comprehensive backwash controller and can be readily reprogrammed to initiate backwash automatically based on differential pressure (integral pressure transducers are standard), time (internal seven-day clock with battery back-up is standard), flow (with optional flow sensor), or any combination of the above. The controller has real-time display of operation mode, filter flow rate, and water temperature (with optional temperature probe). Also, includes Energy Saver Mode for simple On/Off pump scheduling and various interlocks and relays to communicate with other equipment (pump, heater, Acu Drive).

THS SERIES® HORIZONTAL SAND FILTER (CONT'D)

MANIFOLD KITS ⁷	
155700	THS single tank manifold kit with butterfly valves ³
155720	THS dual tank manifold kit with butterfly valves ³
155701	THS single tank 6 in. FP kit with diaphragm valves ⁶
155721	THS dual 34 x 84 in. 6 in. FP kit with diaphragm valves ⁶
155730	THS dual 42 in. dia. 6 in FP Kit with diaphragm valves ⁶
MANIFOLD KITS FOR THS 34 X 61 ONLY ⁷	
155702	Kit-THS3461, single tank manifold, with butterfly valve kit ³
155722	Kit-THS3461, dual tank manifold, with butterfly valve kit ³
155703	Kit-THS3461, single tank manifold, with diaphragm valve kit ⁶
155723	Kit-THS3461, dual tank manifold, with diaphragm valve kit ⁶

ACCESSORIES	
140325	Adder kit for third THS Filter ²
156100	Temperature probe kit ⁴
156150	Flowmeter saddle kit 6 in. ⁴
155800	WA-KIT wedge anchor kit ¹
155705	Manway with Viewport upgrade - at time of purchase
155706	Manway with Viewport Retrofit Kit - replace existing in field
CS400DP	Mounted differential pressure switch ⁵
B4110	120v to 24v 100w transformer
B4221KIT	Gauge Panel Kit Influent/Effluent gauge

¹ One each per tank purchased if required.

² Adder Kit provides 6 in., SCH 80 manifold piping, fittings and hardware for the addition of a third THS Series filter of equal diameter only when #155720 Dual-Filter Butterfly Valve Face Piping Kit is used. Note: Using a 6 in. Schedule 80 plumbing kit with flows in excess of 812 GPM exceeds the maximum water velocity recommended in ANSI/NSPI-1 2003 Standard for Public Swimming Pools. For higher flows, summary calculations should be provided to show that the greater flow is possible with the pump and piping provided.

³ Does not require a purchase of a controller.

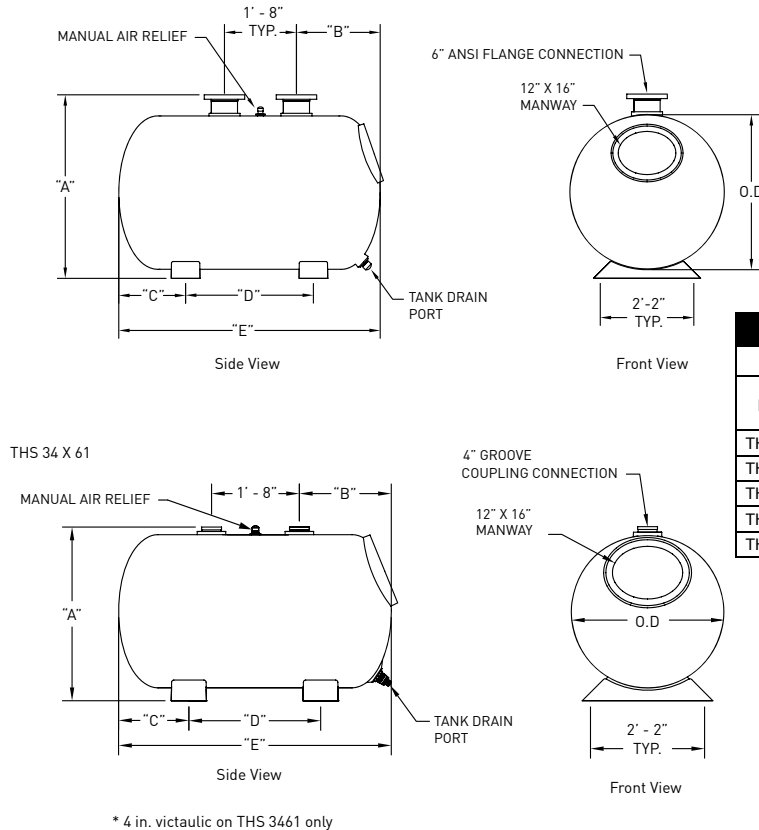
⁴ Only used with CA100 controller option.

⁵ Only available with CS400 controller.

⁶ Does require a purchase of a controller.

⁷ Does not include THS Tanks.

Dimensions and Performance



Certified to
NSF/ANSI Standard 50

THS SERIES SPECIFICATION CHART							
Model	Tank Dimensions						WT
	"A" in.	"B" in.	"C" in.	"D" in.	"E" in.	"O.D." in.	
THS3461	39-1/2	21	16	30	62	35	550
THS3484	45	21-1/4	24-5/8	35-1/4	85	35	610
THS4272	52-1/4	23-1/4	18-7/8	35-1/4	73	43	650
THS4284	52-1/4	23-1/4	24-7/8	35-1/4	85	43	725
THS4296	52-1/4	23-1/4	30-7/8	35-1/4	97	43	800

NSF/ANSI 50 approved for 5-20 gpm/sq.ft.

CALIFORNIA PROPOSITION 65 WARNING

⚠️ **WARNING:** Cancer and Reproductive Harm.
 ⚠️ **AVERTISSEMENT:** Peut Causer le Cancer et des Dommages au Système Reproducteur.
 ⚠️ **ADVERTENCIA:** Cáncer y Daño Reproductivo.
www.p65warnings.ca.gov PWS 201714

TRITON® HD SIDE MOUNT FILTERS

HEAVY-DUTY FIBERGLASS SAND FILTER WITHOUT VALVES

TRADEGRADE

Featured Highlights

Maximum Operating Pressure 75 psi

CALIFORNIA PROPOSITION 65 WARNING
 ⚠️ **WARNING:** Cancer and Reproductive Harm.
 ⚠️ **AVERTISSEMENT:** Peut Causer le Cancer et des Dommages au Système Reproducteur.
 ⚠️ **ADVERTENCIA:** Cáncer y Daño Reproductivo.
 www.p65warnings.ca.gov. PH201714



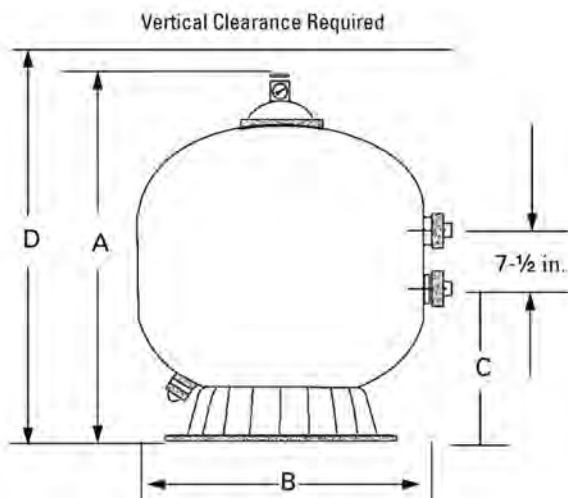
Triton HD Filter
(Unions not included)

All the same great performance and features of the original Triton filter with maximum operating pressure of 75 psi for those special high pressure installations such as single pump in-floor cleaning systems.

Ordering Information

Product	Model	Effective Filtration Area (Sq. Ft.)	Flow Rate (GPM Comm)	Turnover Capacity (In Gallons)			Filter Media		All Sand Req'd (Lbs.)	Carton Wt. (Lbs.)
				8 Hour	10 Hour	12 Hour	Pea Gravel Required (Lbs.)	Sand Required (Lbs.)		
TRITON HD SAND FILTER										
140335	TR100 HD	4.91	74	35,520	44,400	53,280	150	450	600	66
TRITON HD VALVE OPTIONS ¹										
263079	2 in. PVC slide valve w/o plumbing, for D.E. & sand filters									3
261049	2 in. HiFlow valve, no plumbing									7
261050	2 in. HiFlow valve w/ plumbing, for sand filters									11
261055	2 in. MPV for sand filters (SM 20-3)									10
261173	1-1/2 in. MPV, for sand filters (SM 10-3)									6
263064	Push Pull 7-1/2 in. Center Valve, Almond ABS									5
263080	FullFloXF Valve for Sand, inlet port on top, Pentair 2 in. unions glued on XF Valve									

¹ Valves must be purchased separately.



Dimensions and Performance

Certified to NSF/ANSI Standard 50

MODEL	A. DIM.	B DIM.	C DIM.	D DIM.
TR100 HD	39-3/4 in.	30-1/2 in.	16-1/4 in.	41-3/4 in.

TRITON® C AND TRITON C-3

HIGH CAPACITY FIBERGLASS SIDE MOUNT SAND FILTER WITHOUT VALVES

TRADEGRADE



TR 140C-3

TR 100 C

This filter series features multiple diverters for increased filtration rates in commercial applications up to 20 GPM/sq. ft.

Featured Highlights

- Maximum Operating Pressure 50 psi
- Full 2 in. Drain
- 8 in. opening for easy access to sand bed
- The Triton C-3 features standard 3 in. flange connections
- TR 100C-3 & TR 140C-3 models are available in black only

CALIFORNIA PROPOSITION 65 WARNING

⚠ **WARNING:** Cancer and Reproductive Harm.
 ⚠ **AVERTISSEMENT:** Peut Causer le Cancer et des Dommages au Système Reproducteur.
 ⚠ **ADVERTENCIA:** Cáncer y Daño Reproductivo.
www.p65warnings.ca.gov

Ordering Information

Product	Model	Effective Filtration Area (Sq. Ft.)	Flow Rate	Turnover Capacity (In Gal.) ²			Filter Media		All Sand Req'd (Lbs.)	Ctn Qty.	Ctn Wt. (Lbs.)
				6 Hour	8 Hour	10 Hour	Pea Gravel Req'd (Lbs.)	Sand Req'd (Lbs.)			
TRITON C SAND FILTERS											
140315	TR 100C- Almond	4.91	98	35,280	47,040	58,800	150	450	600	1	70
140316	TR 140C- Almond	7.06	141	50,760	67,680	84,600	275	650	925	1	82
TRITON C-3 SAND FILTERS											
140310	TR 100C-3-Black only	4.91	98	35,280	47,040	58,800	150	450	600	1	65
140342	TR 140C-3-Black only	7.06	141	50,760	67,680	84,600	275	650	925	1	82
TRITON C VALVE OPTIONS¹											
261050	2 in. HiFlow w/ plumbing, for sand filters									1	11
261055	2 in. MPV, for sand filters (SM 20-3)									1	10
263010	Full-Flow valve, sand filters (will only work on the TR100C and TR140C models)									1	7
263080	FullFloXF Valve for Sand, inlet port on top, Pentair 2 in. unions glued on XF Valve										
CLEAR PRO TECHNOLOGY LATERAL KITS											
159029	Clear Pro TR 100C Kit										
159031	Clear Pro TR 100C-3 Kit										
159030	Clear Pro TR 140C Kit										
159032	Clear Pro TR 140C-3 Kit										

¹ Valves must be purchased separately.

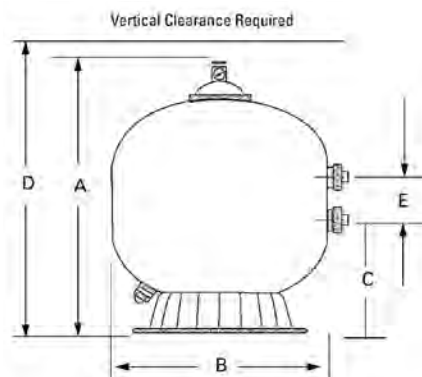
² Based on 20 gpm per sq. ft. Tanks are NSF/ANSI 50 approved for 5–20 gpm/sq.ft.

Dimensions and Performance

**Certified to
NSF/ANSI Standard 50**

DIMENSION TABLE

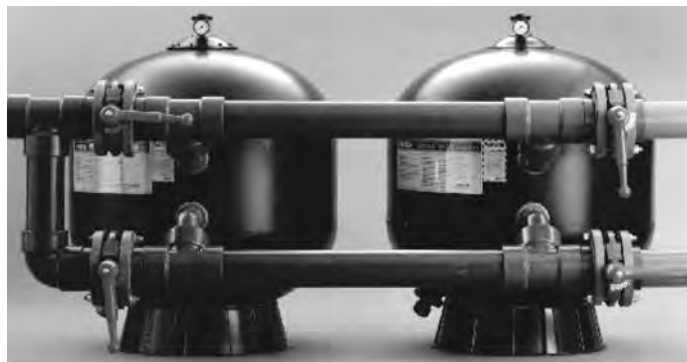
MODEL	A. DIM.	B. DIM.	C. DIM.	D. DIM.	E. DIM.
TR 100 C	39 3/4 in.	30 1/2 in.	16 1/2 in.	43 3/4 in.	7 1/2 in.
TR 140 C	45 1/4 in.	36 1/2 in.	18 3/4 in.	49 1/4 in.	7 1/2 in.
TR 100 C-3	39 3/4 in.	30 1/2 in.	16-1/16 in.	43 3/4 in.	7.72 in.
TR 140 C-3	45 1/4 in.	36 1/2 in.	18 1/2 in.	49 1/4 in.	7.72 in.



See pages 391–392 for replacement parts.

SCH 40 & 80 FOR TR100C, TR140C, TR100C-3 & TR140C-3

TANDEM FILTER PIPING KITS FOR 2 & 3 IN. FILTERS



These Tandem Filter Piping Kits are designed specifically for use with the Triton® TR100C, TR140C, Triton TR100C-3 and TR140C-3 Sand Filters to make the best even better.

We are providing this additional service for your convenient one-stop shopping. Pipe and filters are all you need.

Pipe is not included in kits.

Tandem Filter Piping Kits for Triton TR100C, TR140C, TR100C-3 and TR140C-3 Sand Filters

CALIFORNIA PROPOSITION 65 WARNING
 ⚠️ **WARNING:** Cancer and Reproductive Harm.
 ⚠️ **AVERTISSEMENT:** Peut Causer le Cancer et des Dommages au Système Reproducteur.
 ⚠️ **ADVERTENCIA:** Cáncer y Daño Reproductivo.
www.p65warnings.ca.gov P65-2005-14

Product	Model
For Plumbing Two TR100C or TR140C Filters	
146400	3 in. Two filter kit, SCH 40 (200 GPM)
146402	4 in. Two filter kit, SCH 40 (300 GPM)
146404	6 in. Two filter kit, SCH 40 (700 GPM)
146403	4 in. Two filter kit, SCH 80 (300 GPM)
146405	6 in. Two filter kit, SCH 80 (700 GPM)
For Plumbing Two TR100C-3 or TR140C-3 Filters	
147400	3 in. Two filter kit, SCH 40 (200 GPM)
147402	4 in. Two filter kit, SCH 40 (300 GPM)
147404	6 in. Two filter kit, SCH 40 (700 GPM)
147401	3 in. Two filter kit, SCH 80 (200 GPM)
147403	4 in. Two filter kit, SCH 80 (300 GPM)
147405	6 in. Two filter kit, SCH 80 (700 GPM)

Note: All kits include hardware, fittings, gaskets and butterfly valves.

Ordering Information

Product	Model
Adder Kits for TR100C and TR140C Filters ¹	
146406	4 in. Single filter kit, SCH 40
146408	6 in. Single filter kit, SCH 40
146407	4 in. Single filter kit, SCH 80
146409	6 in. Single filter kit, SCH 80
Adder Kits for TR100C-3 and TR140C-3 Filters	
147406	4 in. Single filter kit, SCH 40
147408	6 in. Single filter kit, SCH 40
147407	4 in. Single filter kit, SCH 80
147409	6 in. Single filter kit, SCH 80

Note: All kits include hardware, fittings, gaskets.

Filters	Filter Area Sq. Ft.	Manifold Pipe Dia.	Filter Rate Sq. Ft.		Turnover Capacity		
			15 GPM	20 GPM	6 Hours	8 Hours	10 Hours
TANDEM TRITON 140C FILTER INSTALLATION							
6 TR 140's	42.36	6 in.	635	—	228,600	304,800	381,000
		8 in.	—	847	304,920	406,560	508,200
7 TR 140's	49.42	6 in.	741	—	266,760	355,680	444,600
		8 in.	—	988	355,680	474,240	592,800
8 TR 140's	56.48	8 in.	847	—	304,920	406,560	508,200
		8 in.	—	1130	406,800	542,400	678,000

SCH 40 & 80 FOR TR100C, TR140C, TR100C-3 & TR140C-3 (CONT'D)

TANDEM FILTER PIPING KITS FOR 2 & 3 IN. FILTERS

Filters	Filter Area Sq. Ft.	Manifold Pipe Dia.	Filter Rate Sq. Ft.		Turnover Capacity		
			15 GPM	20 GPM	6 Hours	8 Hours	10 Hours
TANDEM TRITON TR100C AND TR100C-3 FILTER INSTALLATION							
2 TR 100's	9.82	3 in.	147	—	52,920	70,560	88,200
		4 in.	—	196	70,560	94,080	117,600
3 TR 100's	14.73	4 in.	221	—	79,560	106,080	132,600
		4 in.	—	295	106,200	141,600	177,000
4 TR 100's	19.64	4 in.	295	—	106,200	141,600	177,000
		5 in.	—	393	141,480	188,640	235,800
5 TR 100's	24.55	5 in.	368	—	132,480	176,640	220,800
		5 in.	—	491	176,760	235,680	294,600
TANDEM TRITON TR140C AND TR140C-3 FILTER INSTALLATION							
2 TR 140's	14.12	4 in.	212	—	76,320	101,760	127,200
		4 in.	—	282	101,520	135,360	169,200
3 TR 140's	21.18	4 in.	318	—	114,480	152,640	190,800
		5 in.	—	424	152,640	203,520	254,400
4 TR 140's	28.24	5 in.	424	—	152,640	203,520	254,400
		6 in.	—	565	203,040	270,720	338,400
5 TR 140's	35.30	5 in.	530	—	190,800	254,400	318,000
		6 in.	—	706	254,160	338,880	423,600

Dimensions and Performance

Two Filter System	A	B	C	D	E	F	G	H	I	J	K	Total Wt.
3 in.-TR100C	82-3/8 in.	17-15/16 in.	48 in. min.	18 in. min.	39-3/4 in.	15 in.	29-33/64 in.	8-5/8 in.	11-1/32 in.	51-13/16 in.	—	2300 lbs.
3 in.-TR140C	88-3/8 in.	17-15/16 in.	54 in. min.	18 in. min.	45-1/4 in.	18 in.	32-33/64 in.	8-5/8 in.	13-15/32 in.	57-13/16 in.	—	3200 lbs.
4 in.-TR140C	95-3/4 in.	19-35/64 in.	54 in. min.	18 in. min.	45-1/2 in.	18 in.	33-1/8 in.	9-15/16 in.	12-21/32 in.	59-11/64 in.	—	2300 lbs.
6 in.-TR140C*	111-3/4 in.	24-7/32 in.	54 in. min.	18 in. min.	45-1/2 in.	18 in.	35-3/8 in.	12-13/16 in.	10-21/64 in.	64-13/32 in.	64-53/64 in.	3550 lbs.

* 6 in. piping needs to be rotated upward as shown at 25° so handle will clear the floor.

FIGURE 4A

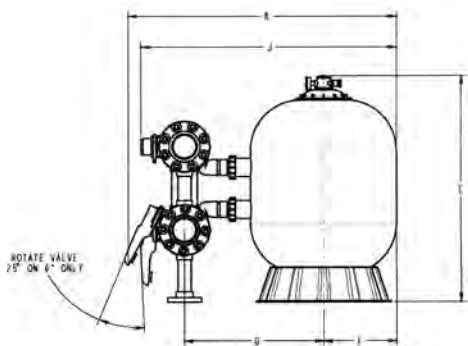
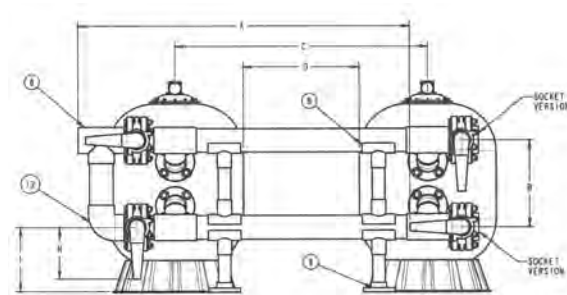


FIGURE 4B



See page 393 for replacement parts.

PLUMBING KITS & ACCESSORIES

Featured Highlights

- Unionized pump/filter plumbing kits and base
- Bulkhead Union Sets can connect D.E. and high-rate sand filters to any plumbing. The kit consists of two half unions with both 1-1/2 and 2 in. pipe connections.



50901600



154566

Ordering Information

Product	Description	Carton Qty.	Carton Wt. (Lbs.)
UNIONS			
98960311	Bulkhead union kit, 1-1/2 in. & 2 in. for Eclipse Filters	1	1
SIGHT GLASS			
50901600	Sight glass, 1-1/2 in. socket	1	1
TOOLS			
192019	Drain plug wrench ¹	1	1
ACCESSORIES AND KITS			
154566	2 in. Sight glass nipple, clear	1	1
185208	Plumbing kit, NS/FNS/CH, for use with Slide valve & Challenger, without valve	1	17
271092	2 in. Threaded adapter kit, for installations without valve	1	1
271094	1-1/2 in. Threaded adapter kit, w/o valve, for installations without valve	1	1
271096	2 in. Threaded bulkhead adapter kit, for installations without valve	1	1
274725	Union check valve, 2 in. socket	1	1
274426Z	Adapter Union Replacement Kit, 2-1/2 in. x 2 in.	1	2
354570	1-1/2 in. Quick disconnect kit, for Regenerative D.E. Filter	1	1
542090	Sand Vac, empties a sand filter in 10 minutes for repair, refilling, or removal	1	3

¹ For use on FNS Plus, Nautilus Plus & Clean & Clear Plus filters.

² For use on Star filters.

³ Torque wrench not required for filters with Tension Control™ clamp.

CALIFORNIA PROPOSITION 65 WARNING
 ⚠️ **WARNING:** Cancer and Reproductive Harm.
 ⚠️ **AVERTISSEMENT:** Peut Causer le Cancer et des Dommages au Système Reproducteur.
 ⚠️ **ADVERTENCIA:** Cáncer y Daño Reproductivo.
www.p65warnings.ca.gov PN 201514



542090



354570
(now available in black)



274725



271094, 271096,
271092



185208

See pages 395–396 for replacement parts.

RETRO-FIT & UPGRADE KITS

Ordering Information

Product	Description
FNS KITS ¹	
181010	FNS clamp spring kit (works on all FNS clamps after 1-89)
NS KITS ¹	
181011	NS/PF35 spring clamp assembly

Product	Description
PF SAND KITS ¹	
181011	NS/PF35 spring clamp assembly
FILTER UPGRADES	
98209804	High flow manual air relief valve w/ instruction labels
59000400	High flow internal air relief kit upgrade for Titan manifold

¹ For filters manufactured prior to 1991.

² For use on filters built before 11-94.

CALIFORNIA PROPOSITION 65 WARNING

⚠ **WARNING:** Cancer and Reproductive Harm.
 ⚠ **AVERTISSEMENT:** Peut Causer le Cancer et des Dommages au Système Reproducteur.
 ⚠ **ADVERTENCIA:** Cáncer y Daño Reproductivo.
www.p65warnings.ca.gov

FILTER BASE KITS

BASE KITS FOR D.E. AND/OR SAND FILTERS



180010 - Elevated Base, Pump to Valve Plumbing Parts, and Mounting Hardware.

Use with FNS® Plus Filters and Challenger® Pumps with Slide Valve.

Ordering Information

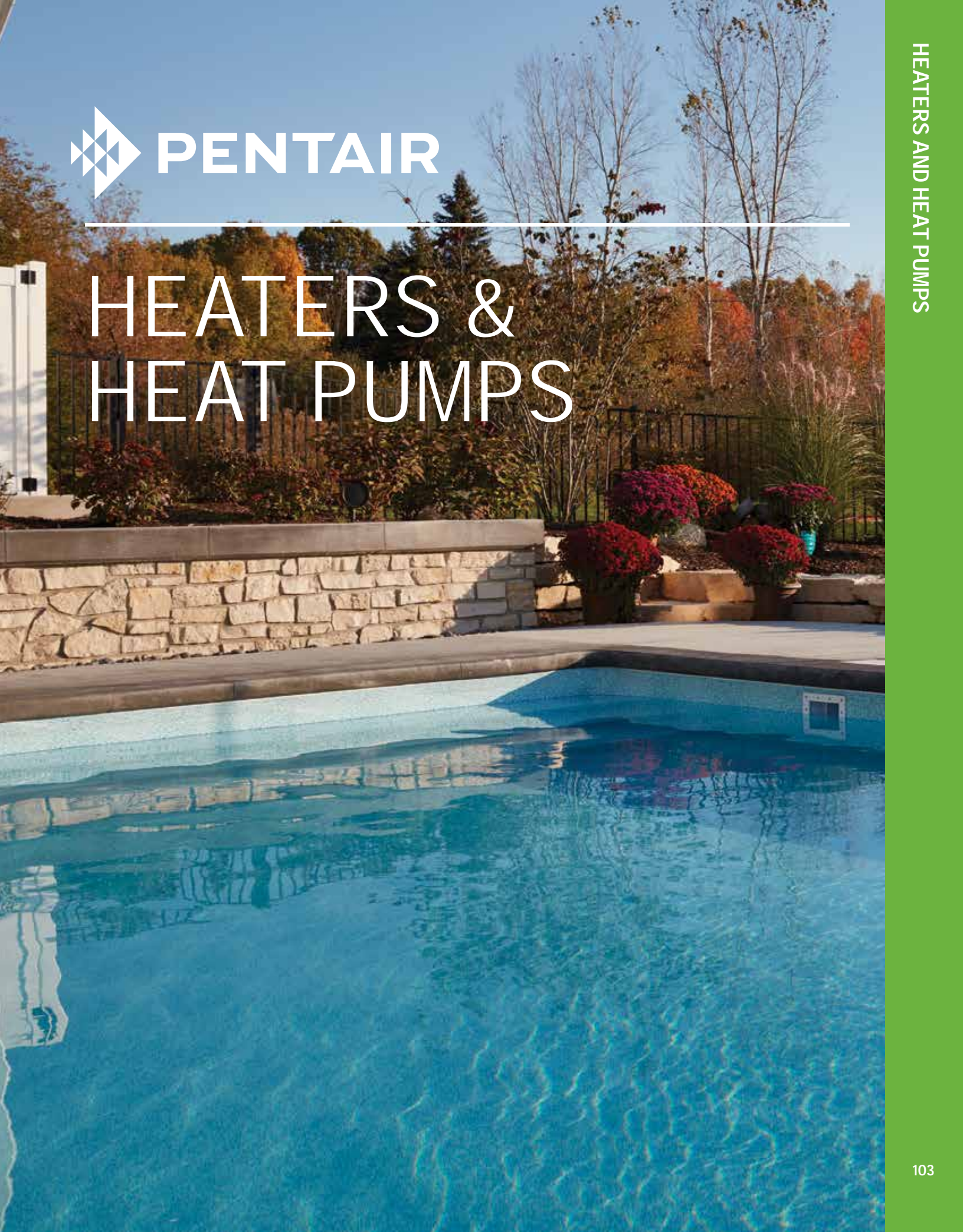
Product	Description	Carton Qty.	Carton Wt. (Lbs.)
ELEVATED BASE KITS			
180010	Base kit FNS Plus/CH/Slide, used for mounting FNS Plus and Slide Valves with Challenger Pump	1	17

CALIFORNIA PROPOSITION 65 WARNING

⚠ **WARNING:** Cancer and Reproductive Harm.
 ⚠ **AVERTISSEMENT:** Peut Causer le Cancer et des Dommages au Système Reproducteur.
 ⚠ **ADVERTENCIA:** Cáncer y Daño Reproductivo.
www.p65warnings.ca.gov



HEATERS & HEAT PUMPS



ULTRATEMP ETi® HEATER

HIGH PERFORMANCE HYBRID HEATER

TRADEGRADE

eco select®



UltraTemp ETi HYBRID Heater

First-Ever Dual-Fuel Heating Technology,
delivering the fastest and most economical
heating options

Featured Highlights

- Available in Propane and Natural Gas
- Gas-Fired functionality for quick heat-ups
- Onboard intelligence delivers outstanding efficiency
- TitanTough™ Direct-Fire Titanium gas heat exchanger assures corrosion-free performance for extra long life
- 93% thermal efficiency gas engine coupled with high performance heat pump
- Smart controls and space savings versus installing two separate units, gas heater and heat pump
- Automation ready with seamless interfacing with Pentair Control Systems
- High efficiency design (four selectable modes: Heat Pump only, Gas only, Hybrid, Dual)
- In "Dual" mode the heater runs both the heat pump and gas heater simultaneously for maximum heat output
- In "Hybrid" mode the heater runs state-of-the-art programming logic to determine the fastest and most economical way to heat your pool based on user input water temperature differential and time period
- Dual internal water bypass assembly automatically adjusts for water flows up to 120 GPM without the need for an external water bypass

Ordering Information

Part #		Model	80/80/80* BTU/COP	80/63/80* BTU/COP	50/63/80* BTU/COP	Gas BTU	Freq (Hz)	Breaker Size (amp)	Phase	Volt	Ctn Wt.
BLACK	ALMOND										
ULTRATEMP ETi HEATER											
460970	460969	220K - Natural Gas	108,000/5.8	100,000/5.6	70,000/4.0	110,000	60	50	1	230	450
462043	462042	220K - Propane	108,000/5.8	100,000/5.6	70,000/4.0	110,000	60	50	1	230	450

* Rating in accordance with ARI Standard 1160 (air temp. °F. / % relative humidity / water temp °F.)

IMPORTANT NOTE:

The Hybrid is tested & factory-configured for either Natural Gas or Propane Gas, and it cannot be converted from one fuel type to another in the field. Please order the specific model (Natural Gas or Propane) to match the fuel source of your intended application.

The AHRI Certified® Mark is applied only to HVACR equipment and components that have been independently tested to certify manufacturers' performance claims are accurate. Visit www.ahridirectory.org for a complete list of certified products.

CEC indicates that Heat Pump has been evaluated to California Title-20, listed in the California Energy Commission's (CEC) database of compliant heat pumps, and certified to use on Residential Swimming Pool Filtration Systems.

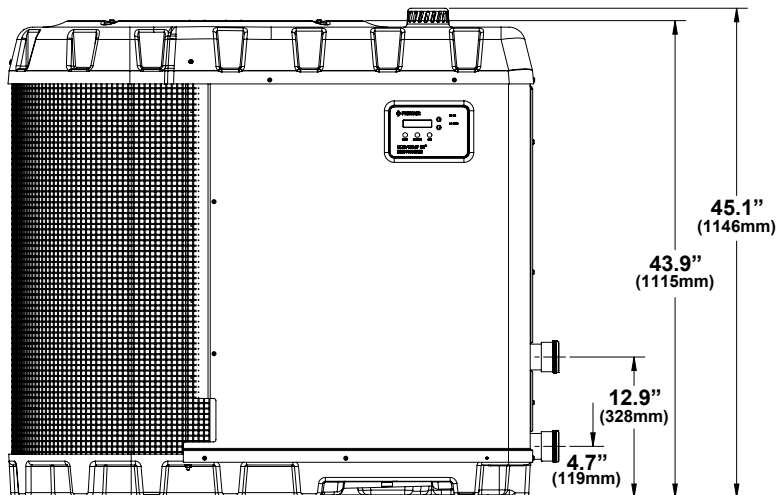
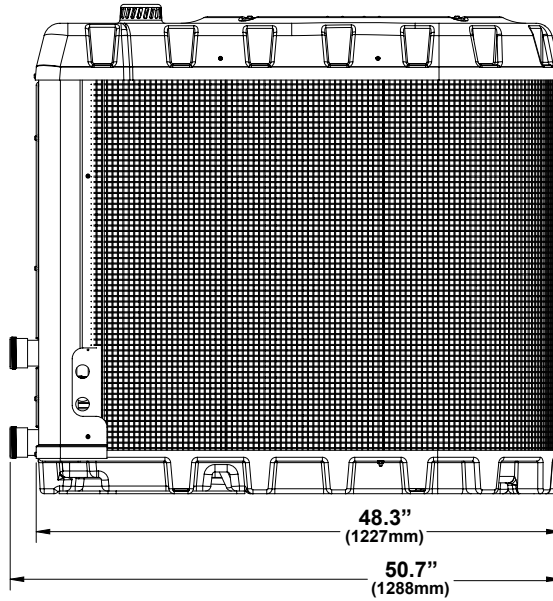
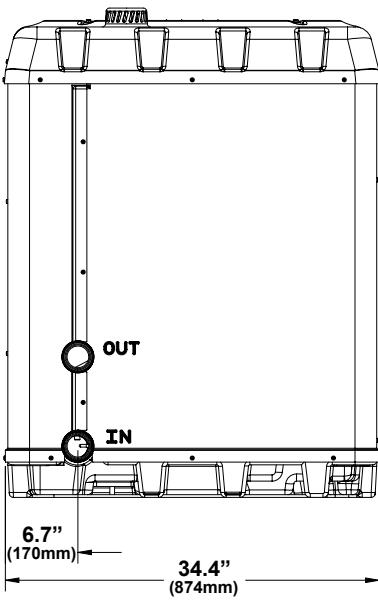
CALIFORNIA PROPOSITION 65 WARNING

⚠ **WARNING:** Cancer and Reproductive Harm.
 ⚠ **AVERTISSEMENT:** Peut Causer le Cancer
 et des Dommages au Système Reproducteur.
 ⚠ **ADVERTENCIA:** Cáncer y Daño Reproductivo.
www.p65warnings.ca.gov PN201514

ULTRATEMP ETi[®] HEATER

HIGH PERFORMANCE HYBRID HEATER

Dimensions and Performance



ETi[®] 400

HIGH EFFICIENCY HEATER

TRADEGRADE



ETi 400 Heater

Featured Highlights

- TitanTough™ Direct-Fire Titanium ASME certified heat exchanger
- Certified for Ultra Low NOx Emissions
- Best-in-Class Energy Efficiency for fast heat up times and energy savings
- 4" PVC or CPVC vent up to 120 ft and 6" vent up to 300 ft long
- Indoor and Outdoor rating
- Ultra-Quiet operation
- Convenient 180 degrees rotating controls panel for left or right plumbing orientation
- Convenient front and rear gas connection capability
- Factory configured for Natural Gas. Propane conversion kit available.

The ETi 400 pool and spa heater brings you TitanTough Direct-Fire Titanium, the toughest ASME certified construction heat exchanger ever built. At 96% thermal efficiency, the ETi 400 heater has the highest efficiency ever built in its class. All this in a heater that operates with ultra-quiet noise level and out performs energy emissions standards.

Ordering Information

Product	Gas Type	BTU (400,000)	Crate Qty.	Crate Wt.
ETi400 Heater				
461113	Natural	400,000 BTU—ASME LISTED	1	365
ACCESSORIES				
475971	Direct Air Intake Kit (for indoor installations)		1	5
475612	Condensate Neutralizer Cartridge Kit		1	5
476072	Propane Gas Conversion Kit		1	2

CALIFORNIA PROPOSITION 65 WARNING

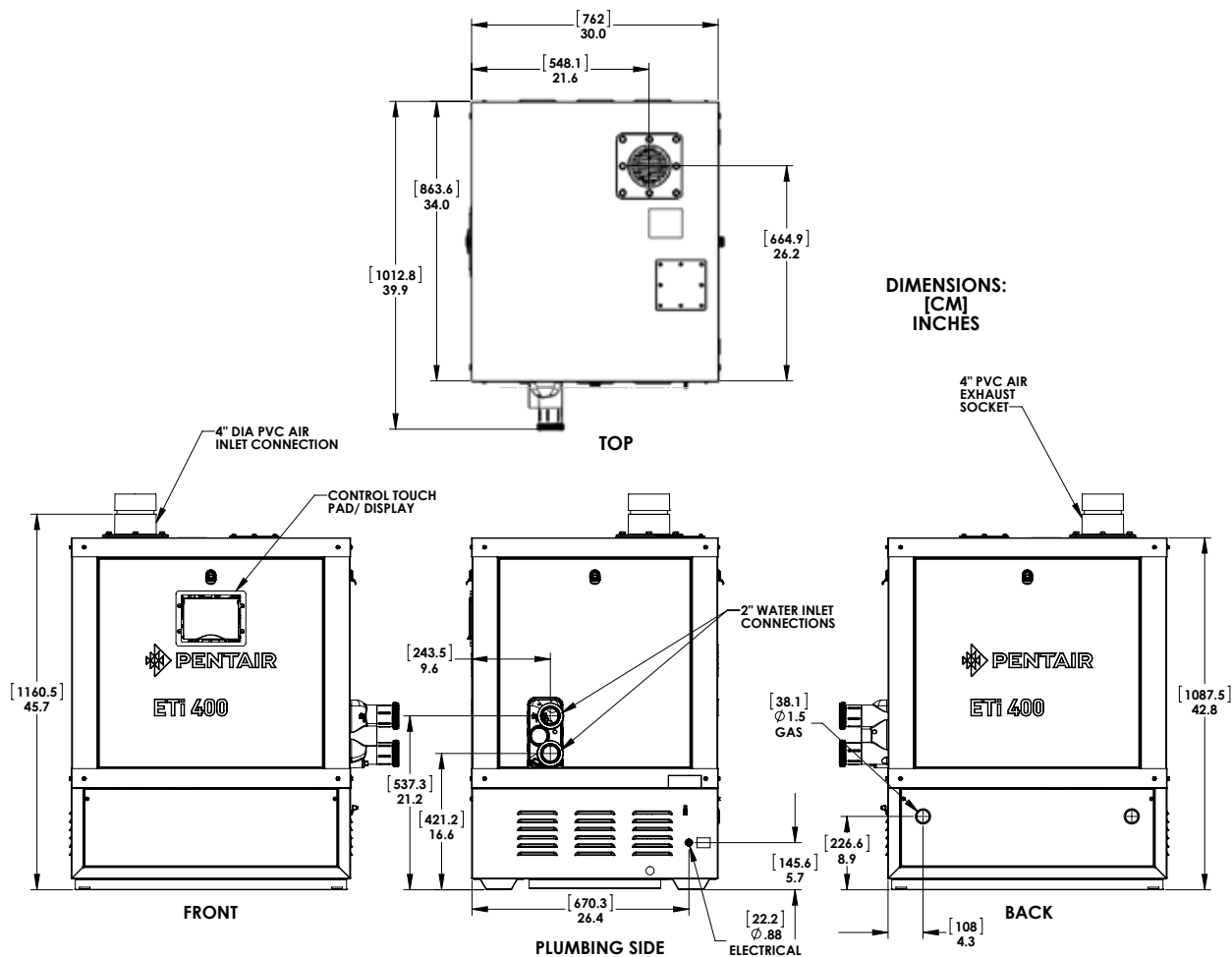
⚠ **WARNING:** Cancer and Reproductive Harm.
 ⚠ **AVERTISSEMENT:** Peut Causer le Cancer et des Dommages au Système Reproducteur.
 ⚠ **ADVERTENCIA:** Cáncer y Daño Reproductivo.
www.p65warnings.ca.gov

See pages 400–404 for replacement parts.

ETi® 400

HIGH EFFICIENCY HEATER

Dimensions and Performance



MASTERTEMP® HEATER

HIGH PERFORMANCE HEATER

TRADEGRADE



MasterTemp High Performance Heater

Featured Highlights

- Now with smart connectivity and energy-saving automation, it's easier than ever to get the pool warm and ready whenever it's needed.
- New automation functionality and ignition control module with flame strength sensor for always optimized performance.
- Eco-friendly MasterTemp Heater is certified for low NOx emission.
- Multi-position top panel allows digital display to be re-positioned for convenient operation.
- Tough, rustproof exterior handles the heat and weathers the elements.
- Certified for outdoor and indoor installations.
- **Optional Smart Heater Bypass valve control diverts water flow when the heater isn't needed to help save up to 35% in yearly operational costs.***

MasterTemp heaters offer all the efficiency, convenience and reliability features you want in a pool heater, plus a lot more. As easy to use as your home heating system, plus, user-friendly LCD display and troubleshoot icons make system operation and monitoring a snap. The compact design and super-quiet operation won't intrude on your poolside leisure time. Heavy-duty (HD) unit with cupro-nickel exchanger for improved performance in more challenging applications, like low pH, high flow or heavy use.

Ordering Information

Product	Gas Type	BTU (000's)	Carton Wt. LBS
MASTERTEMP HEATERS			
460730	Natural	200	128
460731	Propane	200	128
461000	Natural	200 ASME	138
460732	Natural	250	133
460733	Propane	250	133
460771	Natural	250 ASME	140
461020	Natural	250 ASME HD	140
460806	Natural	250HD	136
460734	Natural	300	136
460735	Propane	300	136
460736	Natural	400	136
460737	Propane	400	136
460805	Natural	400HD	136
460775	Natural	400ASME	149
461021	Natural	400 ASME HD	149
461031	Air Intake Kit		
462048	Smart Heater Bypass Kit		

Note:

The MasterTemp High Performance Heater is certified for low NOx emissions.

*Standard Copper Heat Exchanger
84% Efficient.

Heavy-Duty (HD) Cupro-Nickel Heat
Exchanger 82% Efficient.

CALIFORNIA PROPOSITION 65 WARNING

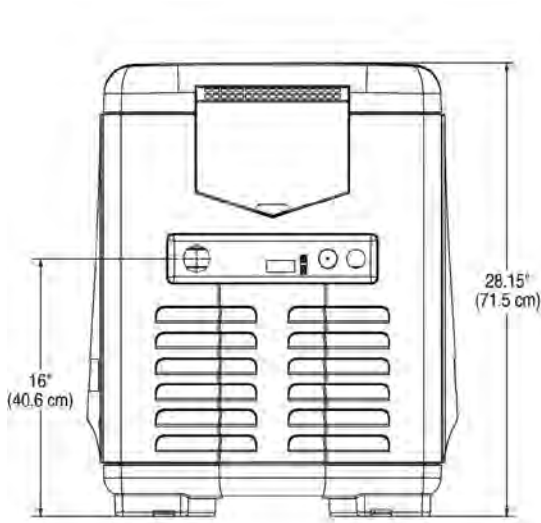
⚠ **WARNING:** Cancer and Reproductive Harm.
 ⚠ **AVERTISSEMENT:** Peut Causer le Cancer et des Dommages au Système Reproducteur.
 ⚠ **ADVERTENCIA:** Cáncer y Daño Reproductivo.
www.p65warnings.ca.gov

*Savings amount based on lab testing conducted using MasterTemp 400® heater in conjunction with IntelliFlo® VSF Pump and Bypass Kit, which includes IntelliValve® controlled by heater. Test Conditions: Pump flow rate: 50gpm. Pump run time: 3000 hours/yr. Heater run time: 100 hours/yr. Electrical Cost: \$0.21 per kWh. System TDH: Heater and Bypass Kit added to Standardized "Curve C" System Curve performance data as per California Energy Commission Title 20 Appliance Efficiency Regulations. Test conditions assume pump flow rate of 50gpm and Constant Flow operation utilizing a lower motor RPM when flow is bypassing the heater due to lower system TDH. Actual performance and any subsequent energy consumption/savings are dependent upon various characteristics of the plumbing system, including but not limited to, pipe size, pipe lengths, filter type, fittings, system design, equipment run time/settings and more.

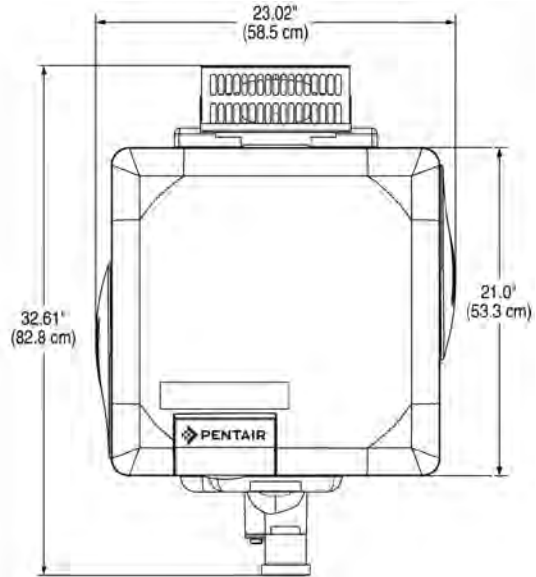
MASTERTEMP® HEATER (CONT'D)

HIGH PERFORMANCE HEATER

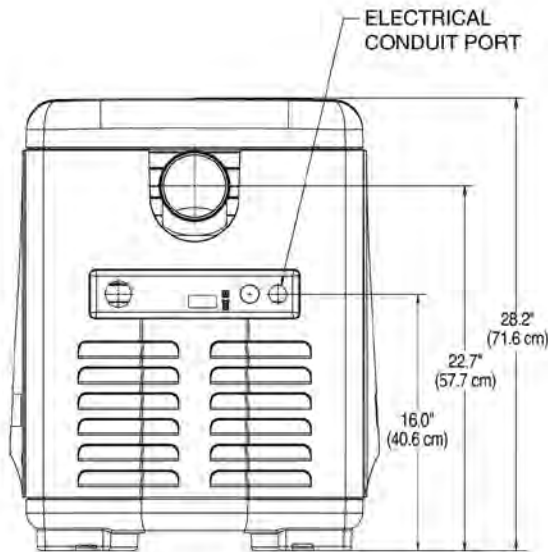
Dimensions and Performance



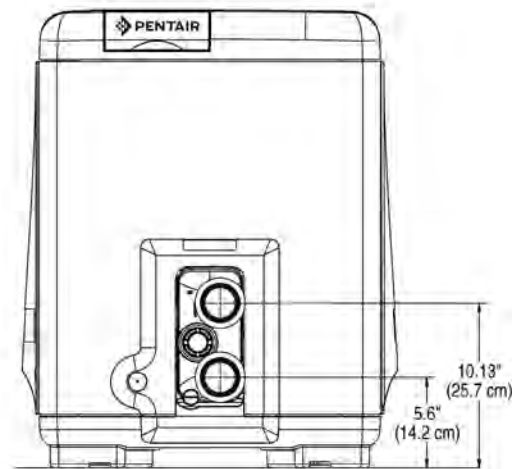
FRONT



TOP



EXHAUST SIDE



PLUMBING SIDE

See pages 405–409 for replacement parts.

MASTERTEMP® 125

HIGH PERFORMANCE HEATER

TRADEGRADE



MasterTemp 125 Heater

Featured Highlights

- Now with smart connectivity and energy-saving automation, it's easier than ever to get the pool warm and ready whenever it's needed.
- New automation functionality and ignition control module with flame strength sensor for always optimized performance.
- Eco-friendly MasterTemp 125 Heater is certified for low NOx emission and outperforms industry standards.
- Multi-position top panel allows digital display to be re-positioned for convenient operation.
- Tough, rustproof exterior handles the heat and weathers the elements.
- Certified for outdoor and indoor installations.
- 1-1/2 in. Plumbing connection—ideal for smaller bodies of water, including aboveground pools, spas and in-ground pools up to 15,000 gallons
- Available in natural gas or propane gas
- Lightweight: 80 lbs.—easy to handle and ship
- 3/4 in. gas line up to 50 ft. from source
- **Optional Smart Heater Bypass valve control diverts water flow when the heater isn't needed to help save up to 35% in yearly operational costs.***

The MasterTemp 125 Heater provides energy-savings and advanced operating features that were only available from much larger heaters. With its revolutionary pre-mixed gas combustion technology, the MasterTemp 125 Heater offers 82% thermal efficiency, the highest in its class. The advanced LCD display/controller provides more information and better control.

Ordering Information

Product	Gas Type	BTU (000's)	Carton Wt.
MASTERTEMP 125 HIGH PERFORMANCE HEATER			
461058	Natural, without cord	125	100
461059	Natural, with cord	125	100
461060	LP, without cord	125	100
461061	LP, with cord	125	100
474845	Air Intake Kit		
462048	Smart Heater Bypass Kit		

CALIFORNIA PROPOSITION 65 WARNING

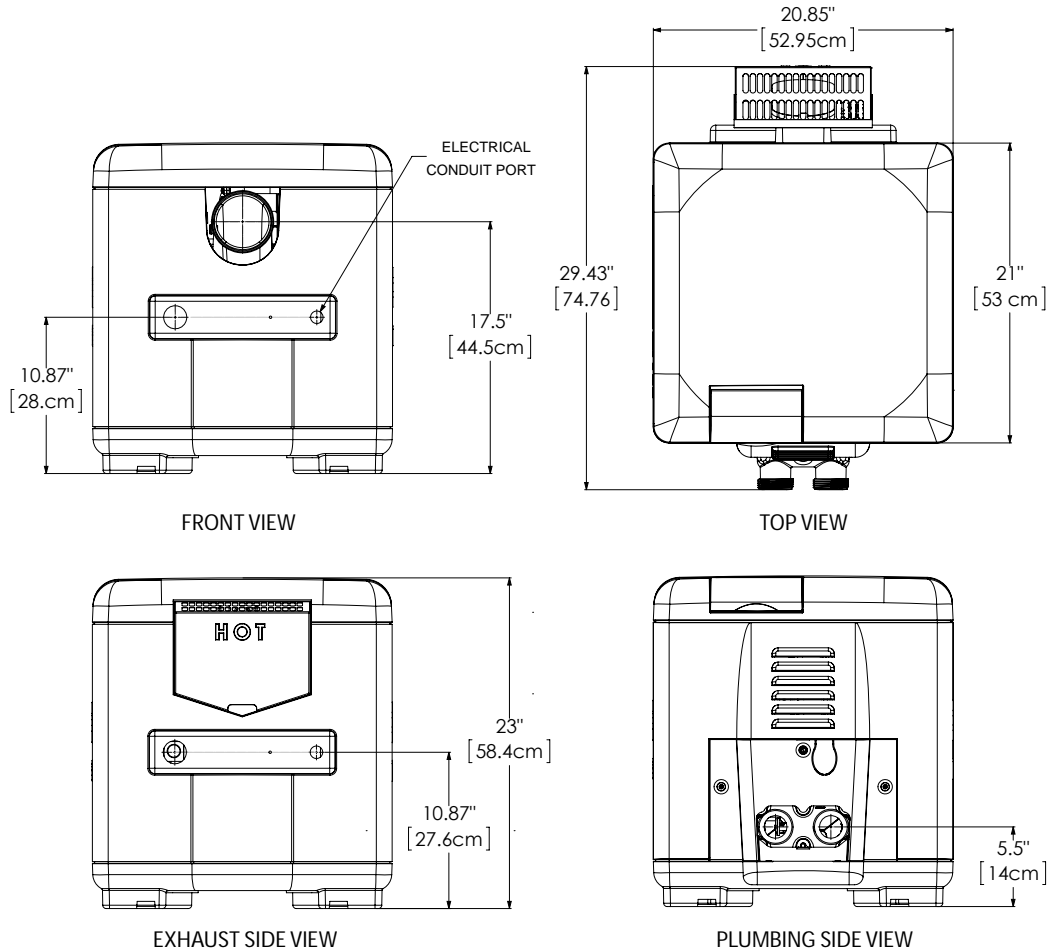
- ⚠ **WARNING:** Cancer and Reproductive Harm.
 ⚠ **AVERTISSEMENT:** Peut Causer le Cancer et des Dommages au Système Reproducteur.
 ⚠ **ADVERTENCIA:** Cáncer y Daño Reproductivo.
- www.p65warnings.ca.gov

*Savings amount based on lab testing conducted using MasterTemp 400® heater in conjunction with IntelliFlo® VSF Pump and Bypass Kit, which includes IntelliValve® controlled by heater. Test Conditions: Pump flow rate: 50gpm. Pump run time: 3000 hours/yr. Heater run time: 100 hours/yr. Electrical Cost: \$0.21 per kWh. System TDH: Heater and Bypass Kit added to Standardized "Curve C" System Curve performance data as per California Energy Commission Title 20 Appliance Efficiency Regulations. Test conditions assume pump flow rate of 50gpm and Constant Flow operation utilizing a lower motor RPM when flow is bypassing the heater due to lower system TDH. Actual performance and any subsequent energy consumption/savings are dependent upon various characteristics of the plumbing system, including but not limited to, pipe size, pipe lengths, filter type, fittings, system design, equipment run time/settings and more.

MASTERTEMP® 125 (CONT'D)

HIGH PERFORMANCE HEATER

Dimensions and Performance



MAX-E-THERM® POOL AND SPA HEATER



TRADEGRADE



Max-E-Therm Pool and Spa Heater

Featured Highlights

- Now with smart connectivity and energy-saving automation, it's easier than ever to get the pool warm and ready whenever it's needed.
- New automation functionality and ignition control module with flame strength sensor for always optimized performance.
- Eco-friendly Max-E-Therm Heater is certified for low NOx emission.
- Multi-position top panel allows digital display to be re-positioned for convenient operation.
- Tough, rustproof exterior handles the heat and weathers the elements.
- Certified for outdoor and indoor installations.
- **Optional Smart Heater Bypass valve control diverts water flow when the heater isn't needed to help save up to 35% in yearly operational costs.***

For indoor or outdoor installations on pools and spas. Features include an LCD temperature readout with dual thermostat controls, temperature safety lockout, and 6-position control panel. PMG burner technology requires no outdoor draft hood. Proven Dura-Glas Resin provides rust-proof construction. Heavy-duty (HD) unit with cupro-nickel exchanger for improved performance in more challenging applications, like low pH, high flow or heavy use.

Ordering Information

Product	Description	BTU (000's)	Carton Wt.
MAX-E-THERM POOL/SPA HEATER			
SR200NA	Max-E-Therm 200 BTU Natural Gas Heater	200	131
SR200LP	Max-E-Therm 200 BTU Propane Gas Heater	200	131
SR200HD	Max-E-Therm 200 BTU Heavy Duty Heater	200	131
SR333NA	Max-E-Therm 333 BTU Natural Gas Heater	333	138
SR333LP	Max-E-Therm 333 BTU Propane Gas Heater	333	138
SR333HD	Max-E-Therm 333 BTU Heavy Duty Heater	333	138
SR400NA	Max-E-Therm 400 BTU Natural Gas Heater	400	138
SR400LP	Max-E-Therm 400 BTU Propane Gas Heater	400	138
SR400HD	Max-E-Therm 400 BTU Heavy Duty Heater	400	138
460763	Max-E-Therm 400 BTU ASME NA Heater	400	149
475002	Air Intake Kit		
462048	Smart Bypass Kit		

Note: The Max-E-Therm Heater is certified for low NOx emissions.

* Standard Copper Heat Exchanger 84% Efficient.

Heavy Duty (HD) Cupro-Nickel Heat Exchanger 82% Efficient.

CALIFORNIA PROPOSITION 65 WARNING

▲ **WARNING:** Cancer and Reproductive Harm.
▲ **AVERTISSEMENT:** Peut Causer le Cancer et des Dommages au Système Reproducteur.
▲ **ADVERTENCIA:** Cáncer y Daño Reproductivo.

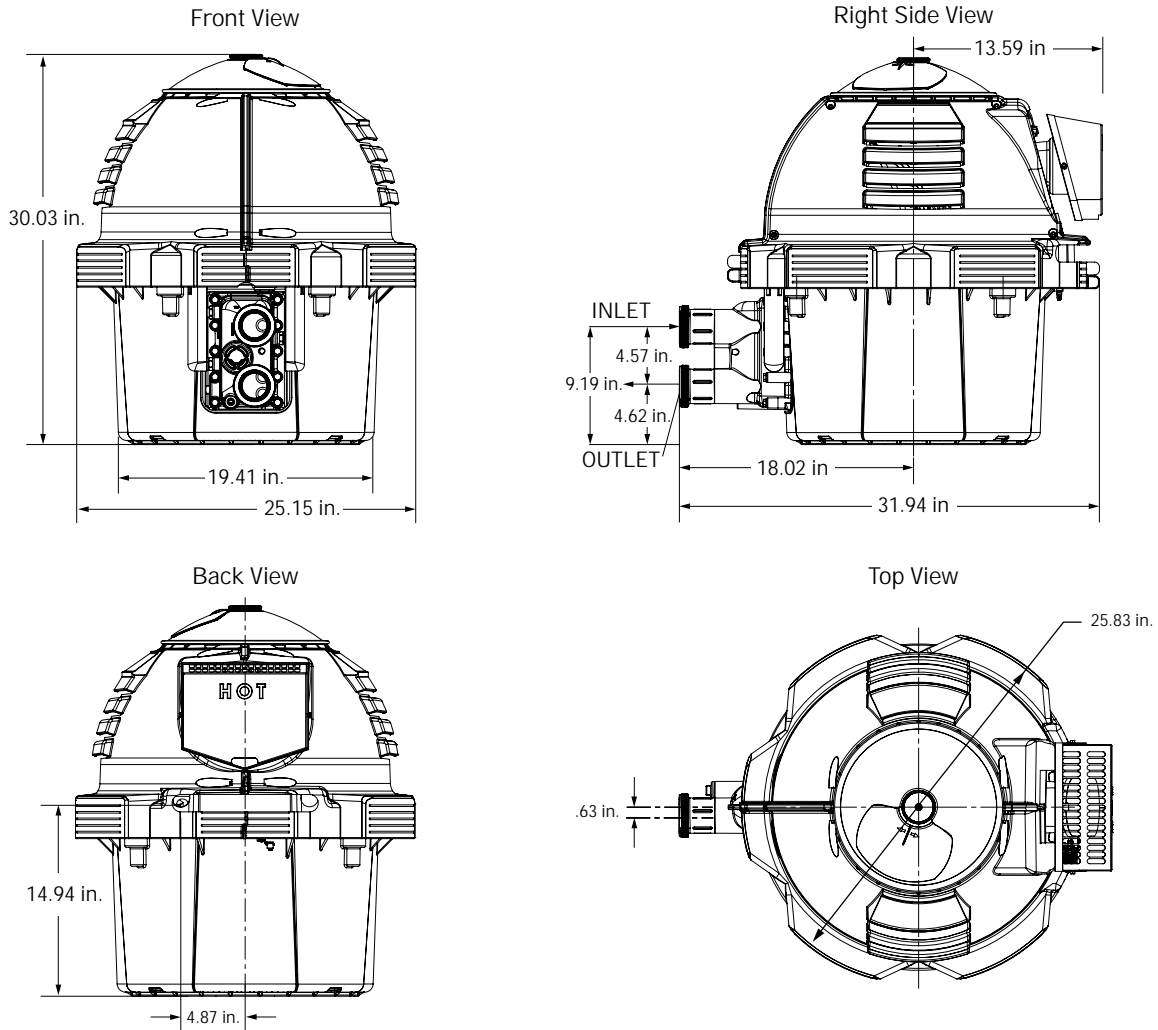
www.p65warnings.ca.gov
PK22075A

*Savings amount based on lab testing conducted using MasterTemp 400® heater in conjunction with IntelliFlo® VSF Pump and Bypass Kit, which includes IntelliValve® controlled by heater. Test Conditions: Pump flow rate: 50gpm. Pump run time: 3000 hours/yr. Heater run time: 100 hours/yr. Electrical Cost: \$0.21 per kWh. System TDH: Heater and Bypass Kit added to Standardized "Curve C" System Curve performance data as per California Energy Commission Title 20 Appliance Efficiency Regulations. Test conditions assume pump flow rate of 50gpm and Constant Flow operation utilizing a lower motor RPM when flow is bypassing the heater due to lower system TDH. Actual performance and any subsequent energy consumption/savings are dependent upon various characteristics of the plumbing system, including but not limited to, pipe size, pipe lengths, filter type, fittings, system design, equipment run time/settings and more.

MAX-E-THERM® (CONT'D)

POOL AND SPA HEATER

Dimensions and Performance



MAX-E-THERM® AND MASTERTEMP® HEATER ACCESSORIES

Featured Highlights

- Optional Smart Heater Bypass valve control diverts water flow when the heater isn't needed to help save up to 35% in yearly operational costs.*

Ordering Information

Product	Description	Approx. Ship. Weight (Lbs.)
VERTICAL VENTING – NEGATIVE PRESSURE		
77707-0076	4 in. x 6 in. Metal Flue Collar	3
77707-0077	4 in. x 8 in. Metal Flue Collar	3
HORIZONTAL OR VERTICAL VENTING – POSITIVE PRESSURE ⁴		
77707-0086	Appliance Adapter, Stainless Steel – Manufactured by HeatFab® venting manufactured by Selkirk Corp. *	3
77707-0087	Appliance Adapter, Stainless Steel – Manufactured by Z-Flex U.S. Venting	3
CONVERSION KITS – NATURAL GAS TO LPG		
461063	NG to LP Conversion Kit - Model 125	1
460794	NG to LP Conversion Kit - Model 175	1
77707-1461	Conversion Kit NG-LPG 200K for Pool and Spa Heater	1
460741	NG to Propane Conversion Kit – Model 250	1
460755	NG to Propane Conversion Kit – Model 300	1
77707-1451	Conversion Kit NG-LPG 333K for Pool and Spa Heater	1
77707-1441	Conversion Kit NG-LPG 400K for Pool and Spa Heater	1
CONVERSION KITS – LPG to NATURAL GAS		
461062	LP to NG Conversion Kit - Model 125	1
460795	LP to NG Conversion Kit - Model 175	1
77707-1431	Conversion Kit LPG-NG for 200K Pool and Spa Heater	1
460742	Propane to NG Conversion Kit – Model 250	1
460756	Propane to NG Conversion Kit – Model 300	1
77707-1421	Conversion Kit LPG-NG for 333K Pool and Spa Heater	1
77707-1411	Conversion Kit LPG-NG for 400K Pool and Spa Heater	1
HEATER ACCESSORIES		
42001-0085S	Heater Bolt Down Bracket Kit (Max-E-Therm)	1
460738	Heater Bolt Down Bracket Kit (MasterTemp)	1
PKG 188Z	Union Package (2" Unions)	1
474974	Union Package (1-1/2" Unions)	1
U11-197P	2 in. Adapter (for service loop)	1
461031	Direct Air Intake Duct Kit (MasterTemp)	5
475002	Direct Air Intake Duct Kit (Max-E-Therm)	5
474845	Direct Air Intake Duct Kit (MasterTemp 125)	5
SERVICE PROFESSIONAL PARTS KIT		
461100	Pro Service Package – Heater Master Package of Water & Electrical System Parts. Includes many common repair parts for Pentair & Sta-Rite heaters in reusable hard case ¹	5
461101	Pro Service Package – Heaters Electrical System Parts. Includes common Electrical System repair parts for Pentair & Sta-Rite heaters in reusable hard case ¹	3
461102	Pro Service Package – Heaters Water System Parts. Includes common Water System repair parts for Pentair & Sta-Rite heaters in reusable hard case ¹	3
461102	Smart Bypass Kit	

¹ Compatible with Pentair MasterTemp® High Performance Heaters, Sta-Rite Max-E-Therm® High Performance Heaters, Models 175/200/250/300/333/400. Not compatible with 125,000 BTU heater

See Engineering Data pages 593–604 for information on selecting the proper size heater and for gas supply and pipe sizing information.

* HeatFab® is a registered trademark of Hart & Cooley, Inc.

*Savings amount based on lab testing conducted using MasterTemp 400® heater in conjunction with IntelliFlo® VSF Pump and Bypass Kit, which includes IntelliValve® controlled by heater. Test Conditions: Pump flow rate: 50gpm. Pump run time: 3000 hours/yr. Heater run time: 100 hours/yr. Electrical Cost: \$0.21 per kWh. System TDH: Heater and Bypass Kit added to Standardized "Curve C" System Curve performance data as per California Energy Commission Title 20 Appliance Efficiency Regulations. Test conditions assume pump flow rate of 50gpm and Constant Flow operation utilizing a lower motor RPM when flow is bypassing the heater due to lower system TDH. Actual performance and any subsequent energy consumption/savings are dependent upon various characteristics of the plumbing system, including but not limited to, pipe size, pipe lengths, filter type, fittings, system design, equipment run time/settings and more.

COMMERCIAL POWERMAX®

HIGH PERFORMANCE ELECTRONIC IGNITION HEATER

Featured Highlights

- Reliable operation in natural or propane models
- Fan-assisted and filtered combustion air
- Dual ignition systems for models greater than 750,000 BTU
- Built-in mixing system reduces condensation possibilities
- Fits through standard doorways
- Gas supply right or left side
- CSA Certified
- **CSD-1 and other options available. Contact factory for part numbers.**



Commercial PowerMax Heater

When performance is critical, the PowerMax Heater provides peak efficiency and easy maintenance in both indoor and outdoor applications. Seven sizes delivering up to 85% efficiency ratings and meeting all Low NOx requirements. PowerMax Heater is designed for operation to 10,000 foot elevation.

CALIFORNIA PROPOSITION 65 WARNING

▲ **WARNING:** Cancer and Reproductive Harm.
▲ **AVERTISSEMENT:** Peut Causer le Cancer et des Dommages au Système Reproducteur.
▲ **ADVERTENCIA:** Cáncer y Daño Reproductivo.
www.p65warnings.ca.gov

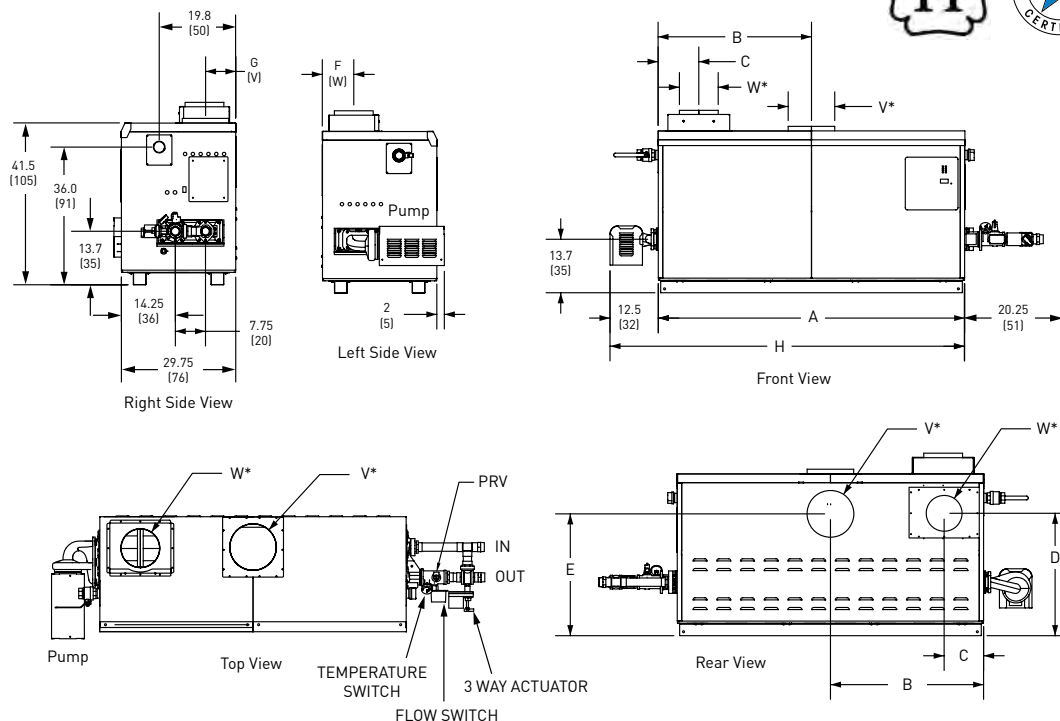
Ordering Information

Product	BTUs (000's)	Installation	Gas Type	Pump System	Heat Exchanger	Carton Wt. (Lbs.)
COMMERCIAL POWERMAX NATURAL GAS MODELS						
PM0500NACC3BXN	500	Indoor/Outdoor	Natural	Pump Mounted	Copper	495
PM0750NACC3BXN	750	Indoor/Outdoor	Natural	Pump Mounted	Copper	575
PM1000NACC3BXN	1000	Indoor/Outdoor	Natural	Pump Mounted	Copper	685
PM1250NACC3BXN	1250	Indoor/Outdoor	Natural	Pump Mounted	Copper	730
PM1500NACC3BXN	1500	Indoor/Outdoor	Natural	Pump Mounted	Copper	830
PM1750NACC3BXN	1750	Indoor/Outdoor	Natural	Pump Mounted	Copper	880
PM2000NACC3BXN	2000	Indoor/Outdoor	Natural	Pump Mounted	Copper	1025
PM0500NACC3PXN	500	Indoor/Outdoor	Natural	Pump Mounted	CuproNickel	495
PM0750NACC3PXN	750	Indoor/Outdoor	Natural	Pump Mounted	CuproNickel	575
PM1000NACC3PXN	1000	Indoor/Outdoor	Natural	Pump Mounted	CuproNickel	685
PM1250NACC3PXN	1250	Indoor/Outdoor	Natural	Pump Mounted	CuproNickel	730
PM1500NACC3PXN	1500	Indoor/Outdoor	Natural	Pump Mounted	CuproNickel	830
PM1750NACC3PXN	1750	Indoor/Outdoor	Natural	Pump Mounted	CuproNickel	880
PM2000NACC3PXN	2000	Indoor/Outdoor	Natural	Pump Mounted	CuproNickel	1025
COMMERCIAL POWERMAX PROPANE GAS MODELS						
PM0500PACC3BXN	500	Indoor/Outdoor	Propane	Pump Mounted	Copper	495
PM0750PACC3BXN	750	Indoor/Outdoor	Propane	Pump Mounted	Copper	575
PM1000PACC3BXN	1000	Indoor/Outdoor	Propane	Pump Mounted	Copper	685
PM1250PACC3BXN	1250	Indoor/Outdoor	Propane	Pump Mounted	Copper	730
PM1500PACC3BXN	1500	Indoor/Outdoor	Propane	Pump Mounted	Copper	830
PM1750PACC3BXN	1750	Indoor/Outdoor	Propane	Pump Mounted	Copper	880
PM2000PACC3BXN	2000	Indoor/Outdoor	Propane	Pump Mounted	Copper	1025
PM0500PACC3PXN	500	Indoor/Outdoor	Propane	Pump Mounted	CuproNickel	495
PM0750PACC3PXN	750	Indoor/Outdoor	Propane	Pump Mounted	CuproNickel	575
PM1000PACC3PXN	1000	Indoor/Outdoor	Propane	Pump Mounted	CuproNickel	685
PM1250PACC3PXN	1250	Indoor/Outdoor	Propane	Pump Mounted	CuproNickel	730
PM1500PACC3PXN	1500	Indoor/Outdoor	Propane	Pump Mounted	CuproNickel	830
PM1750PACC3PXN	1750	Indoor/Outdoor	Propane	Pump Mounted	CuproNickel	880
PM2000PACC3PXN	2000	Indoor/Outdoor	Propane	Pump Mounted	CuproNickel	1025
POWERMAX STACKING SYSTEMS						
Product	Type	Heater Model	Product	Type	Heater Model	
CA000800	Rack	PM500	CA001100	Rack	PM1250	
CA000900	Rack	PM750	CA001200	Rack	PM1500, PM1750	
CA0001000	Rack	PM1000	CA001300	Rack	PM2000	

COMMERCIAL POWERMAX® (CONT'D)

HIGH PERFORMANCE ELECTRONIC IGNITION HEATER

Dimensions and Performance



Dimensional Data Dimensions shown in inches, cm.

Size (000's)	A		B		C		D		E		F		G		H		Air Conn. W*		Vent Conn. V*		Horiz. Vent Pipe	
500	33½	85	15¾	40	5¾	15	29¾	76	32¾	83	7¾	20	8¾	22	46	117	6	15	8	15	6	15
750	45½	116	21¾	55	5¾	15	29¾	76	32¾	83	7¾	20	8¾	22	58	147	6	15	10	20	8	15
1000	57½	146	28¾	73	5¾	15	29¾	76	32¾	83	7¾	20	7	18	70	178	8	20	10	25	8	20
1250	68	172	34	86	10¼	26	30¾	78	29½	75	8¾	22	8¾	22	80	203	8	20	12	30	8	20
1500	78½	199	39¾	101	10¼	26	30¾	78	29½	75	8¾	22	8¾	22	91	231	8	20	12	30	8	20
1750	89	226	44½	113	10¼	26	30¾	78	29½	75	8¾	22	8¾	22	101	256	8	20	14	36	8	20
2000	99½	253	49¾	126	10¼	26	30¾	78	29½	75	8¾	22	8¾	22	112	284	12	30	14	36	12	30

*Air and vent connections may be on top or back of the PowerMax, and are field convertible.

Sizing Data

Indoor Model	Input ¹ BTU/h x1000	Output ¹ BTU/h x1000	Gas Conn. Size inches ²	Heater Water Conn. Size inches ²	Mixing System Water Conn. Size inches ²	Shipping Weight	
						lbs.	kg
500	500	425	1¼	2	2	495	225
750	750	638	1¼	2	2	575	261
1000	999	849	1½	2½	2	685	311
1250	1250	1063	2	2½	2	730	331
1500	1500	1275	2	2½	2	830	377
1750	1750	1488	2	2½	2	880	400
2000	1999	1699	2	2½	2	1025	465

NOTES: 1. Input and output must be derated 2% per 1000 feet above sea level when installed above 2000 feet altitude.
2. Dimensions are nominal.

Note: Contact factory at 1-800-831-7133 for replacement parts.

COMMERCIAL MEGATHERM®

HIGH PERFORMANCE ELECTRONIC IGNITION HEATER

Featured Highlights

- Electronic ignition
- Built-in draft diverter (indoor models) simplifies installation
- Integral pump assures proper water flow (models 500-1825)
- High temperature refractory firebox liner to 2000° F for greater efficiency
- Easy-to-service header flanges
- Corrosion-resistant glass-lined headers
- CSA Certified
- **CSD-1 and other options available. Contact factory for part numbers**
- Start-up service by an authorized representative is strongly recommended before regular operation

Commercial
MegaTherm
Heater



CALIFORNIA PROPOSITION 65 WARNING

▲ **WARNING:** Cancer and Reproductive Harm.
 ▲ **AVERTISSEMENT:** Peut Causer le Cancer et des Dommages au Système Reproducteur.
 ▲ **ADVERTENCIA:** Cáncer y Daño Reproductivo.
www.p65warnings.ca.gov

MegaTherm Pool Heaters are designed for commercial, institutional and large residential where economical performance and rapid heat-up are required. Available in indoor and outdoor models in both natural and propane. MegaTherm is design verified to the ANSI Z21.56 Standard for Gas-Fired Pool Heaters (Outdoor 5---1825 units are certified for use without the addition of a draft diverter or external vent. Indoor units incorporate a built-in draft diverter and require only vent piping.)

Ordering Information

Product	BTUs (000's)	Installation	Gas Type	Pump System	Heat Exchanger	Carton Wt. (Lbs.)
COMMERCIAL MEGATHERM NATURAL GAS MODELS						
MT0500IN09C1PC	500	Indoor	Natural	Pump Mounted	Copper	808
MT0600IN09C1PC	600	Indoor	Natural	Pump Mounted	Copper	819
MT0715IN09C1PC	715	Indoor	Natural	Pump Mounted	Copper	873
MT0850IN09C1PC	850	Indoor	Natural	Pump Mounted	Copper	945
MT0999IN09C1PC	999	Indoor	Natural	Pump Mounted	Copper	1041
MT1010IN09C1PC	1010	Indoor	Natural	Pump Mounted	Copper	1041
MT1200IN09C1PC	1200	Indoor	Natural	Pump Mounted	Copper	1199
MT1430IN09C1PC	1430	Indoor	Natural	Pump Mounted	Copper	1280
MT1670IN09CBPC	1670	Indoor	Natural	Pump Mounted	Copper	1445
MT1825IN09CBPC	1825	Indoor	Natural	Pump Mounted	Copper	1570
MT0500IN09C1PN	500	Indoor	Natural	Pump Mounted	CuproNickel	808
MT0600IN09C1PN	600	Indoor	Natural	Pump Mounted	CuproNickel	819
MT0715IN09C1PN	715	Indoor	Natural	Pump Mounted	CuproNickel	873
MT0850IN09C1PN	850	Indoor	Natural	Pump Mounted	CuproNickel	945
MT0999IN09C1PN	999	Indoor	Natural	Pump Mounted	CuproNickel	1041
MT1010IN09C1PN	1010	Indoor	Natural	Pump Mounted	CuproNickel	1041
MT1200IN09C1PN	1200	Indoor	Natural	Pump Mounted	CuproNickel	1199
MT1430IN09C1PN	1430	Indoor	Natural	Pump Mounted	CuproNickel	1280
MT1670IN09CBPN	1670	Indoor	Natural	Pump Mounted	CuproNickel	1445
MT1825IN09CBPN	1825	Indoor	Natural	Pump Mounted	CuproNickel	1570
MT0500EN09CBPC	500	Outdoor	Natural	Pump Mounted	Copper	855
MT0600EN09CBPC	600	Outdoor	Natural	Pump Mounted	Copper	949
MT0715EN09CBPC	715	Outdoor	Natural	Pump Mounted	Copper	1050
MT0850EN09CBPC	850	Outdoor	Natural	Pump Mounted	Copper	1100
MT0999EN09CBPC	999	Outdoor	Natural	Pump Mounted	Copper	1240
MT1010EN09CBPC	1010	Outdoor	Natural	Pump Mounted	Copper	1240
MT1200EN09CBPC	1200	Outdoor	Natural	Pump Mounted	Copper	1410
MT1430EN09CBPC	1430	Outdoor	Natural	Pump Mounted	Copper	1570
MT1670EN09CBPC	1670	Outdoor	Natural	Pump Mounted	Copper	1622
MT1825EN09CBPC	1825	Outdoor	Natural	Pump Mounted	Copper	1725
MT0500EN09CBPN	500	Outdoor	Natural	Pump Mounted	CuproNickel	855

COMMERCIAL MEGATHERM® (CONT'D)

HIGH PERFORMANCE ELECTRONIC IGNITION HEATER

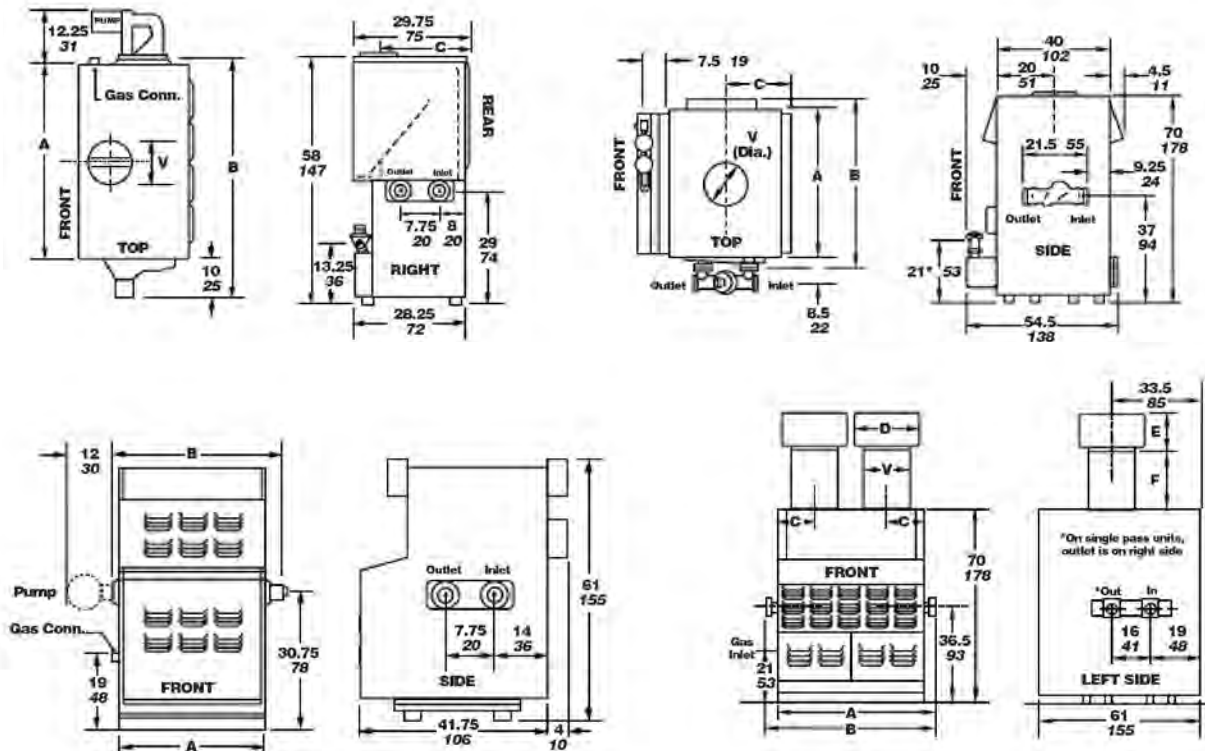
Product	BTUs (000's)	Installation	Gas Type	Pump System	Heat Exchanger	Carton Wt. (Lbs.)
COMMERCIAL MEGATHERM NATURAL GAS MODELS						
MT0600EN09CBPN	600	Outdoor	Natural	Pump Mounted	CuproNickel	949
MT0715EN09CBPN	715	Outdoor	Natural	Pump Mounted	CuproNickel	1050
MT0850EN09CBPN	850	Outdoor	Natural	Pump Mounted	CuproNickel	1100
MT0999EN09CBPN	999	Outdoor	Natural	Pump Mounted	CuproNickel	1240
MT1010EN09CBPN	1010	Outdoor	Natural	Pump Mounted	CuproNickel	1240
MT1200EN09CBPN	1200	Outdoor	Natural	Pump Mounted	CuproNickel	1410
MT1430EN09CBPN	1430	Outdoor	Natural	Pump Mounted	CuproNickel	1570
MT1670EN09CBPN	1670	Outdoor	Natural	Pump Mounted	CuproNickel	1622
MT1825EN09CBPN	1825	Outdoor	Natural	Pump Mounted	CuproNickel	1725
MT2000IN18CCAC	2000	Indoor	Natural	Less Pump	Copper	1950
MT2450IN18CCAC	2450	Indoor	Natural	Less Pump	Copper	2100
MT3050IN18CCAC	3050	Indoor	Natural	Less Pump	Copper	2250
MT3500IN18CCAC	3500	Indoor	Natural	Less Pump	Copper	2510
MT4050IN18CCAC	4050	Indoor	Natural	Less Pump	Copper	2750
MT4500IN18CCAC	4500	Indoor	Natural	Less Pump	Copper	2900
MT5000IN18CCAC	5000	Indoor	Natural	Less Pump	Copper	3200
MT2000IN18CCAN	2000	Indoor	Natural	Less Pump	CuproNickel	1950
MT2450IN18CCAN	2450	Indoor	Natural	Less Pump	CuproNickel	2100
MT3050IN18CCAN	3050	Indoor	Natural	Less Pump	CuproNickel	2250
MT3500IN18CCAN	3400	Indoor	Natural	Less Pump	CuproNickel	2510
MT4050IN18CCAN	4050	Indoor	Natural	Less Pump	CuproNickel	2750
MT4500IN18CCAN	4500	Indoor	Natural	Less Pump	CuproNickel	2900
MT5000IN18CCAN	5000	Indoor	Natural	Less Pump	CuproNickel	3200
MT2200EN18CCAC	2200	Outdoor	Natural	Less Pump	Copper	2320
MT2800EN18CCAC	2800	Outdoor	Natural	Less Pump	Copper	2500
MT3200EN18CCAC	3200	Outdoor	Natural	Less Pump	Copper	2840
MT3600EN18CCAC	3600	Outdoor	Natural	Less Pump	Copper	3175
MT4000EN18CCAC	4000	Outdoor	Natural	Less Pump	Copper	3940
MT4500EN18CCAC	4500	Outdoor	Natural	Less Pump	Copper	3790
MT2200EN18CCAN	2200	Outdoor	Natural	Less Pump	CuproNickel	2320
MT2800EN18CCAN	2800	Outdoor	Natural	Less Pump	CuproNickel	2500
MT3200EN18CCAN	3200	Outdoor	Natural	Less Pump	CuproNickel	2840
MT3600EN18CCAN	3600	Outdoor	Natural	Less Pump	CuproNickel	3175
MT4000EN18CCAN	4000	Outdoor	Natural	Less Pump	CuproNickel	3940
MT4500EN18CCAN	4500	Outdoor	Natural	Less Pump	CuproNickel	3790
COMMERCIAL MEGATHERM PROPANE MODELS						
MT0500IP09C1PC	500	Indoor	Propane	Pump Mounted	Copper	808
MT0600IP09C1PC	600	Indoor	Propane	Pump Mounted	Copper	819
MT0715IP09C1PC	715	Indoor	Propane	Pump Mounted	Copper	873
MT0850IP09C1PC	850	Indoor	Propane	Pump Mounted	Copper	945
MT0999IP09C1PC	999	Indoor	Propane	Pump Mounted	Copper	1041
MT1010IP09C1PC	1010	Indoor	Propane	Pump Mounted	Copper	1041
MT1200IP09C1PC	1200	Indoor	Propane	Pump Mounted	Copper	1199
MT1430IP09C1PC	1430	Indoor	Propane	Pump Mounted	Copper	1280
MT1670IP09CBPC	1670	Indoor	Propane	Pump Mounted	Copper	1445
MT1825IP09CBPC	1825	Indoor	Propane	Pump Mounted	Copper	1570
MT0500IP09C1PN	500	Indoor	Propane	Pump Mounted	CuproNickel	808
MT0600IP09C1PN	600	Indoor	Propane	Pump Mounted	CuproNickel	819
MT0715IP09C1PN	715	Indoor	Propane	Pump Mounted	CuproNickel	873
MT0850IP09C1PN	850	Indoor	Propane	Pump Mounted	CuproNickel	945

COMMERCIAL MEGATHERM® (CONT'D)

HIGH PERFORMANCE ELECTRONIC IGNITION HEATER

Product	BTUs (000's)	Installation	Gas Type	Pump System	Heat Exchanger	Carton Wt. (Lbs.)
COMMERCIAL MEGATHERM PROPANE MODELS						
MT0999IP09C1PN	999	Indoor	Propane	Pump Mounted	CuproNickel	1041
MT1010IP09C1PN	1010	Indoor	Propane	Pump Mounted	CuproNickel	1041
MT1200IP09C1PN	1200	Indoor	Propane	Pump Mounted	CuproNickel	1199
MT1430IP09C1PN	1430	Indoor	Propane	Pump Mounted	CuproNickel	1280
MT1670IP09CBPN	1670	Indoor	Propane	Pump Mounted	CuproNickel	1445
MT1825IP09CBPN	1825	Indoor	Propane	Pump Mounted	CuproNickel	1570
MT0500EP09CBPC	500	Outdoor	Propane	Pump Mounted	Copper	855
MT0600EP09CBPC	600	Outdoor	Propane	Pump Mounted	Copper	949
MT0715EP09CBPC	715	Outdoor	Propane	Pump Mounted	Copper	1050
MT0850EP09CBPC	850	Outdoor	Propane	Pump Mounted	Copper	1100
MT0999EP09CBPC	999	Outdoor	Propane	Pump Mounted	Copper	1240
MT1010EP09CBPC	1010	Outdoor	Propane	Pump Mounted	Copper	1240
MT1200EP09CBPC	1200	Outdoor	Propane	Pump Mounted	Copper	1410
MT1430EP09CBPC	1430	Outdoor	Propane	Pump Mounted	Copper	1570
MT1670EP09CBPC	1670	Outdoor	Propane	Pump Mounted	Copper	1622
MT1825EP09CBPC	1825	Outdoor	Propane	Pump Mounted	Copper	1725
MT0500EP09CBPN	500	Outdoor	Propane	Pump Mounted	CuproNickel	855
MT0600EP09CBPN	600	Outdoor	Propane	Pump Mounted	CuproNickel	949
MT0715EP09CBPN	715	Outdoor	Propane	Pump Mounted	CuproNickel	1050
MT0850EP09CBPN	850	Outdoor	Propane	Pump Mounted	CuproNickel	1100
MT0999EP09CBPN	999	Outdoor	Propane	Pump Mounted	CuproNickel	1240

Dimensions and Performance



ULTRATEMP® HEAT PUMP

HIGH PERFORMANCE HEAT PUMP

TRADEGRADE



UltraTemp 120Q Heat Pump

UltraTemp heat pumps are manufactured with non-ozone depleting R410 refrigerant.

Featured Highlights

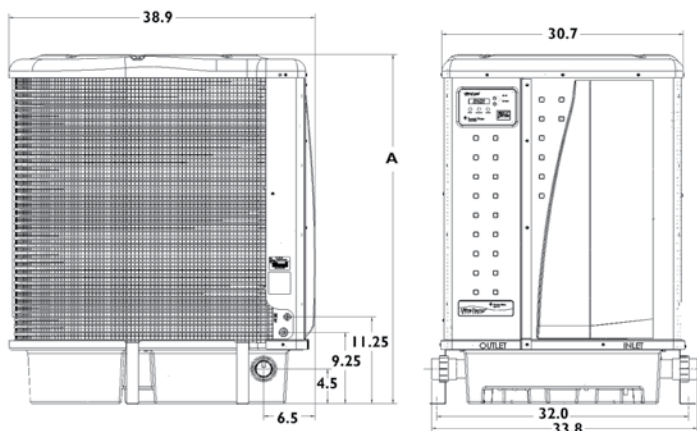
- 100% titanium heat exchanger assures corrosion-free performance for extra long life
- LCD control board displays an intuitive menu-driven read out with easy to follow full word messages...no more codes
- AutoSet (time clock over-ride) feature monitors water temperature and turns the water circulation pump on and off as needed to maintain desired pool temperatures
- Automatic defrost feature senses refrigerant temperature and prevents freezing, allowing the heat pump to operate at even lower temperatures
- Compatible with ALL automated control packages
- Long-life corrosion resistant plastic composite cabinet stands up to severe climates and pool chemicals
- ETL listed for safe operation
- Thermostatic Expansion Valve (TXV) controls refrigerant flow for optimum efficiency and BTU output over a wider operating range
- Highest efficiency available, meets or exceeds existing codes and standards
- BTU and efficiency performance independently certified by the Air-Conditioning, Heating and Refrigeration Institute, AHRI

Ordering Information

Part #		Model	80/80/80* BTU/COP	80/63/80* BTU/COP	50/63/80* BTU/COP	Freq (Hz)	Breaker Size (amp)	Phase	Volt	Ctn Qty.	Ctn Wt.	"A" Dim.
BLACK	ALMOND											
ULTRATEMP HEAT PUMPS												
460960	460930	70	75,000/5.9	70,000/5.7	50,000/4.0	60	40	1	230	1	290	33.5
460961	460931	90	90,000/5.8	85,000/5.6	60,000/4.0	60	50	1	230	1	300	33.5
460962	460932	110	110,000/6.1	101,000/5.8	70,000/4.0	60	50	1	230	1	271	45.5
460863	460833	120Q	127,000/5.7	120,000/5.5	80,000/4.0	60	50	1	230	1	270	48.1
460964	460934	140	145,000/5.8	135,000/5.6	90,000/4.0	60	50	1	230	1	335	45.5
460965	460935	120 H/C	125,000 Heat/5.5 71,000 Cool/4.1	118,000/5.3	80,000/4.0	60	50	1	230	1	283	45.5
460959	460958	140 H/C	140,000 Heat/5.6 71,000 Cool/4.1	132,000/5.4	85,000/4.0	60	50	1	230	1	344	45.5
460967	460937	120 C	122,000/5.5	114,000/5.3	76,000/4.0	60	50	3	230	1	264	45.5
460929	460928	140C	140,000/5.7	130,000/5.5	85,000/4.0	60	50	3	230	1	335	45.5

*Rating in accordance with ARI Standard 1160
(air temp. °F. / % relative humidity / water temp °F.)

Dimensions and Performance



CALIFORNIA PROPOSITION 65 WARNING

⚠️ **WARNING:** Cancer and Reproductive Harm.
 ⚠️ **AVERTISSEMENT:** Peut Causer le Cancer et des Dommages au Système Reproducteur.
 ⚠️ **ADVERTENCIA:** Cáncer y Daño Reproductivo.
www.p65warnings.ca.gov PN 201714



The AHRI Certified® Mark is applied only to HVACR equipment and components that have been independently tested to certify manufacturers' performance claims are accurate. Visit www.ahridirectory.org for a complete list of certified products.

CEC indicates that Heat Pump has been evaluated to California Title-20, listed in the California Energy Commission's (CEC) database of compliant heat pumps, and certified to use on Residential Swimming Pool Filtration Systems.

See pages 434–435 for replacement parts.



IN-FLOOR POOL CLEANING AND CIRCULATION

IN-FLOOR POOL CLEANING AND CIRCULATION

Pentair In-Floor Cleaning & Circulation provides advanced, eco-friendly, and pool systems that enhance your family's backyard lifestyle.

INTELLIGENT POOL SYSTEMS

Owning a pool should be easy. Pentair In-Floor Cleaning & Circulation systems guarantee just that—a pool that is beautiful and requires significantly less time and money to maintain.

Pentair intelligent in-floor systems sweep and remove debris from your pool, keeping your water cleaner and circulated. Not only are Pentair In-Floor Cleaning & Circulation systems more efficient, but they use fewer chemicals and energy than any other system on the market.

CLEAN AND CIRCULATE

The key to maintaining pristine and clear pool water is an effective cleaning and circulation system. Circulating your pool water eliminates cold pockets, reduces heat loss, and helps ensure an even disbursement of chemicals for a more pleasurable swimming experience.





FAMILY OF PRODUCTS

CLEANING HEADS



The G4V is a patented cleaning head technology that incorporates the power of venturi hydraulics, along with a proprietary flow path design that will change the way you circulate and clean your pool.

Pentair G4V cleaning heads allow your pool to circulate water and clean at reduced pump speeds, using less flow at lower operating pressures. This effectively increases overall system performance and substantially lowers energy costs.

WAVE VALVE



The Water Actuator Valve (WAVE) is the control center of your pool cleaning and circulation system, directing the water to specific zones in your pool. Standard features such as built-in speed control and QuikStop ensure optimum cleaning and circulation, as well as functional flexibility.

OZONE OXIDATION SYSTEM



For pool water that feels smooth to your skin, Pentair QuikPure3® Ozone Oxidation System helps reduce contaminants in your pool, leaving you with clear water for you and your family to enjoy. The Quikpure3 is an Ozone Oxidation System that introduces a small amount of ozone gas into the water to oxidize organics and contaminants that would otherwise tie up your primary sanitizer from doing its' primary job of sanitizing the water. That means no more harsh chlorine smell, red eyes, itchy skin, or discolored hair. Just fresh, clearer water.

Our cleaning and circulation systems are powered by industry-leading technology and backed by decades of experience.

AVSC® DRAIN



The AVSC drain is a heavy debris removal drain in an unblockable package. The AVSC drain conforms to all current ANSI, NSF and VGB anti-entrapment standards, and boasts one of the highest flowrates of any debris removal drain currently on the market. Available in both dual or single port models (accepting both 2.5" and 3" pipe) the AVSC comes in a wide variety of colors. In addition, an optional fillable lid is available to allow the drain to seamlessly blend into the surrounding pool interior finish.

QUIKSKIM® SKIMMER



The QuikSkim is a great addition to any pool, and a powerful compliment to a pool with an in-floor cleaning and circulation system. The QuikSkim uses venturi hydraulics (return water) to skim the pool, rather than relying on suction from the pump. This not only allows 100% of the pump suction to be directed at debris removal from the main drain(s), but also allows skimming to take place even at significantly lower pump speeds. The QuikSkim is available in two different sizes, and can also come with a bonding lug installed for bonding the water in nicheless lighting scenarios.

LEAF VAC



The LeafVac heavy debris removal container is a pivotal part of all pool cleaning systems. Its extra-large canister has a significantly greater capacity than regular pool debris containers, which means more time between cleanings, and less strain on the pump. And, LeafVac is injection molded with UV-protected materials to help withstand the most severe climates and environmental stresses.



LIGHTING



MICROBRITE®

COLOR AND WHITE LED LIGHT

TRADEGRADE



MicroBrite Color and White LED Light

Featured Highlights

- Energy-saving, LED efficiency from the industry's most compact 12V LED plastic light
- Only 3.5 inches long, fits into narrow walls and tight spaces, can be installed horizontally or vertically
- No niche required — installs in any standard 1.5 inch pool wall fitting
- Connect to any Pentair control system or the Pentair Color Sync™ Controller
- MicroBrite Color Lights allow 5 predetermined fixed colors or 7 popular "color shows" that come preprogrammed into the MicroBrite Light

Give pools a brilliant lighting upgrade without the installation difficulties. Only 3.5-in. long, MicroBrite lights fit easily into standard 1.5-in. wall fittings and are suitable for retrofit into many pools with older fiber optic systems.

All Pentair UL Listed underwater lights are certified for use in fresh water with up to 6,000 ppm salinity.

Ordering Information

Product	Description	Color	Lights	Cord Length	Voltage	Watts
MICROBRITE LED LIGHT						
620424	MicroBrite Light	Color LED	One	50'	12V	14W
620425	MicroBrite Light	Color LED	One	100'	12V	14W
620426	MicroBrite Light	Color LED	One	150'	12V	14W
602166	MicroBrite-G Light	Color LED, for installation in Pentair GloBrite Niche or Pentair ColorVision Bubbler	One	150'	12V	14W
620428	MicroBrite Light	White LED	One	50'	12V	14W
620429	MicroBrite Light	White LED	One	100'	12V	14W
620430	MicroBrite Light	White LED	One	150'	12V	14W
602165	MicroBrite-G Light	White LED, for installation in Pentair GloBrite Niche or Pentair ColorVision Bubbler	One	150'	12V	14W
620457	MicroBrite Light	Warm White LED	One	100'	12V	14W
602155	MicroBrite Light	Warm White LED	One	150'	12V	14W
602167	MicroBrite-G Light	Warm White LED, for installation in Pentair GloBrite Niche or Pentair ColorVision Bubbler	One	150'	12V	14W
602157	MicroBrite Light	Turtle Edition*	One	150'	12V	14W

*620nm red/orange light, for special oceanfront pool applications in certain areas with regulations intended to protect sea turtles.

Note: Appearance of color and white LED light may vary between various models of lights. Appearance and perception of pool lighting may vary depending on a number of factors including, but not limited to, the particular model of light, the location/depth/angle of the light's installation, pool finish/material, pool depth/shape/geometry, ambient light sources, subjective factors and more. For best results when using multiple lights, use all the same model and do not mix multiple models of lights within a single installation.

CALIFORNIA PROPOSITION 65 WARNING

⚠️ **WARNING:** Cancer and Reproductive Harm.
 ⚠️ **AVERTISSEMENT:** Peut Causer le Cancer et des Dommages au Système Reproducteur.
 ⚠️ **ADVERTENCIA:** Cáncer y Daño Reproductivo.

www.p65warnings.ca.gov. P6.2017A

MICROBRITE®

COLOR AND WHITE LED LIGHT

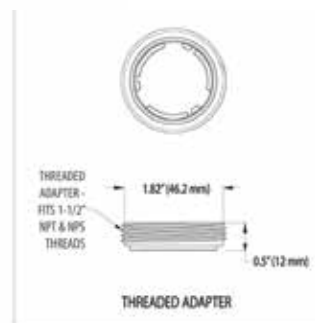
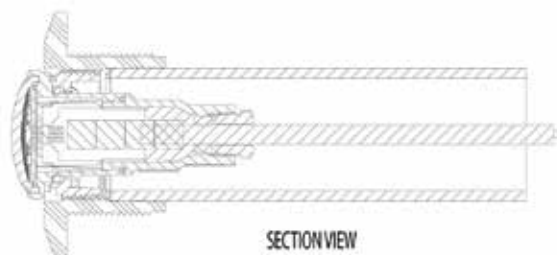
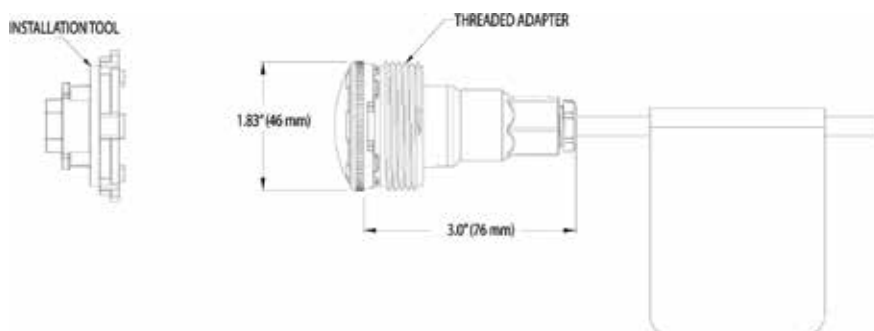
Product	Description	Color	Lights	Cord Length	Voltage
MICROBRITE COMBO KITS WITH 300 WATT TRANSFORMER					
602130	MicroBrite 2 Light Combo Kit	Color LED	Two	100'	12V
602131	MicroBrite 2 Light Combo Kit	White LED	Two	100'	12V
602132	MicroBrite 2 Light Combo Kit	Warm White LED	Two	100'	12V
602133	MicroBrite 4 Light Combo Kit	Color LED	Four	100'	12V
602134	MicroBrite 4 Light Combo Kit	White LED	Four	100'	12V
602135	MicroBrite 4 Light Combo Kit	Warm White LED	Four	100'	12V

Note: A 300W transformer is included in each combo kit. Transformer is 120V input, 12V-14V output.

Product	Description
REPLACEMENT KITS	
620460	MicroBrite Light Adaptor, Replacement
620459	Installation Tool, Replacement. (Hex/Wrench Style)
620158Z	Installation Tool, Replacement (Hand/Grip Style)
620463	Conduit Seal O-Ring, Replacement
618040	Adapter for MicroBrite to GloBrite

Product	Voltage	Wattage
TRANSFORMERS (LANDSCAPE POOL RATED)		
619962	120V Input, 12-14V Output	100W
619963	120V Input, 12-14V Output	300W

Dimensions and Certifications



INTELLIBRITE® 5G COLOR LED LIGHTS

UNDERWATER LED LIGHTS FOR SWIMMING POOLS AND SPAS

TRADEGRADE



IntelliBrite 5g Color LED Pool and Spa Lights

IntelliBrite 5g Color-Changing Underwater LED Lights provide vivid illumination and consumes only 26 watts for pool lights and 18 watts for spa lights. IntelliBrite 5g lights also use significantly less energy than traditional incandescent and halogen pool lights.

Featured Highlights

- An enhanced reflector design helps assure more light is directed toward the pool bottom to further increase intensity and color effects, while minimizing glare
- Unique lens geometry distributes light in an optimum way to avoid “hot spots” on the pool bottom. Light intensity and color are distributed more uniformly throughout your pool.
- Pool lens can be rotated to 180 degrees to provide wide beam pattern (standard) or narrow beam pattern
- Set one of 5 predetermined fixed colors to match or create the mood for the evening – blue, green, magenta, white, and red or select from 7 popular “color shows” that come preprogrammed into IntelliBrite Light
- IntelliBrite 5g Lights easily pair with Pentair Control Systems for integrated pool, spa and poolscape equipment automation
- Compatible with Pentair stainless steel and plastic niches

Ordering Information

Product	Voltage	Wattage	Cord Length (Ft.)	Primary Listings and Certifications	Carton Qty.	Carton Wt (Lbs.)
INTELLIBRITE 5g COLOR POOL LIGHTS						
601000	120	26W	30	UL, cUL	1	
601001	120	26W	50	UL, cUL	1	
601002	120	26W	100	UL, cUL	1	
601003	120	26W	150	UL, cUL	1	
601004	120	26W	250	UL, cUL	1	
601010	12	26W	30	UL, cUL	1	
601011	12	26W	50	UL, cUL	1	
601012	12	26W	100	UL, cUL	1	
601013	12	26W	150	UL, cUL	1	
602010	12	26W	30	CSA	1	5.5
602012	12	26W	100	CSA	1	12
602000	120	26W	30	CSA	1	6.5
602002	120	26W	100	CSA	1	12
602003	120	26W	150	CSA	1	21

All Pentair UL Listed underwater lights are certified for use in fresh water with up to 6,000 ppm salinity.

Note: All 120 volt pool and spa lights must be connected to a branch circuit protected by a ground fault circuit interrupter (GFCI).

NOTE: Appearance of color and white LED light may vary between various models of lights. Appearance and perception of pool lighting may vary depending on a number of factors including, but not limited to, the particular model of light, the location/depth/angle of the light's installation, pool finish/material, pool depth/shape/geometry, ambient light sources, subjective factors and more. For best results when using multiple lights, use all the same model and do not mix multiple models of lights within a single installation.

CALIFORNIA PROPOSITION 65 WARNING

⚠️ **WARNING:** Cancer and Reproductive Harm.
 ⚠️ **AVERTISSEMENT:** Peut Causer le Cancer et des Dommages au Système Reproducteur.
 ⚠️ **ADVERTENCIA:** Cáncer y Daño Reproductivo.
www.p65warnings.ca.gov PA201514

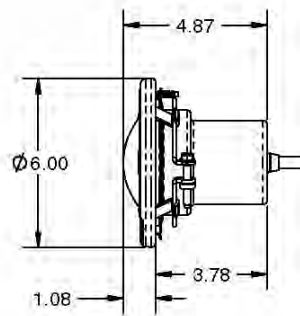
See pages 444–445 for replacement parts.

INTELLIBRITE® 5G COLOR LED LIGHTS (CONT'D)

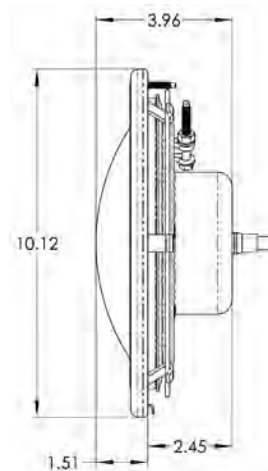
UNDERWATER LED LIGHTS FOR SWIMMING POOLS AND SPAS

Product	Voltage	Wattage	Cord Length (Ft.)	Primary Listings and Certifications	Carton Qty.	Carton Wt. (Lbs.)
INTELLIBRITE 5g COLOR SPA LIGHTS						
640120	120	18W	30	UL, cUL	1	6.5
640121	120	18W	50	UL, cUL	1	8
640122	120	18W	100	UL, cUL	1	12
640123	120	18W	150	UL, cUL	1	16
640124	120	18W	250	UL, cUL	1	25
640130	12	18W	30	UL, cUL	1	5.5
640131	12	18W	50	UL, cUL	1	7
640132	12	18W	100	UL, cUL	1	11
640133	12	18W	150	UL, cUL	1	18

Dimensions and Certifications



IntelliBrite Spa Light Dimensions



IntelliBrite Pool Light Dimensions

Notice: Underwriters Laboratories has listed Pentair Water Pool and Spa, Inc. lights for use with Pentair Water Pool and Spa, Pentair Pool Products, American Products, Purex, or PacFab niches ONLY. To ensure proper grounding/bonding connections install only Pentair Water Pool and Spa lights in Pentair, Water Pool and Spa, Pentair Pool Products, American Products, Purex or PacFab niches only.

Note: **IntelliBrite Pool Sized Lights** can be utilized to replace: **Sta-Rite:** SunSaver¹, SunBrite¹, SunGlow¹. **American Products:** Amerlite¹. **Purex-Triton:** SunRay¹, Pool Star¹, Hatteras¹. **PacFab:** Spectrum Amerlite¹ (SAM), AmerQuartz¹, and most lights that are 10.12" across. To ensure proper grounding of replacement lights, please see the notice directly above.

CALIFORNIA PROPOSITION 65 WARNING

⚠ **WARNING:** Cancer and Reproductive Harm.
 ⚠ **AVERTISSEMENT:** Peut Causer le Cancer et des Dommages au Système Reproducteur.
 ⚠ **ADVERTENCIA:** Cáncer y Daño Reproductivo.

www.p65warnings.ca.gov. PR22074A

INTELLIBRITE® 5G WHITE LED LIGHTS

UNDERWATER LED LIGHTS FOR SWIMMING POOLS AND SPAS

TRADEGRADE



IntelliBrite 5g White LED Pool Light

IntelliBrite 5g White LED light offers a brighter, more energy efficient alternative to incandescent white lighting. Utilizing its array of LEDs, it is also ideal for commercial applications.

All Pentair UL Listed underwater lights are certified for use in fresh water with up to 6,000 ppm salinity.

Featured Highlights

- Utilizing less energy than comparable incandescent lights.
- Energy efficient utilizing up to 86% less energy than comparable incandescent lights
- Unique lens geometry and innovative reflector design combine to create a wider beam and more uniform light distribution
- Pool lens can be rotated to 180 degrees to provide wide beam pattern (standard) or narrow beam pattern
- Compatible with Pentair stainless steel and plastic niches
- Available in 120V and 12V versions
- Available in 300W, 400W, and 500W incandescent equivalencies

CALIFORNIA PROPOSITION 65 WARNING

⚠ **WARNING:** Cancer and Reproductive Harm.
 ⚠ **AVERTISSEMENT:** Peut Causer le Cancer et des Dommages au Système Reproducteur.
 ⚠ **ADVERTENCIA:** Cáncer y Daño Reproductivo.
www.p65warnings.ca.gov

Ordering Information for Pool Lights

Product	Voltage	Wattage	Cord Length (Ft.)	Incandescent Equivalency	Primary Listing and Certifications	Carton Qty.	Carton Wt. (Lbs.)
INTELLIBRITE 5g WHITE POOL LIGHTS – 300 WATT EQUIVALENT, 120 VOLT							
601100	120V	40	30	300W	UL, cUL, CSA	1	
601101	120V	40	50	300W	UL, cUL, CSA	1	
601102	120V	40	100	300W	UL, cUL, CSA	1	
601103	120V	40	150	300W	UL, cUL, CSA	1	
601104	120V	40	250	300W	UL, cUL, CSA	1	
INTELLIBRITE 5g WHITE POOL LIGHTS – 300 WATT EQUIVALENT, 12 VOLT							
601105	12V	40	30	300W	UL, cUL, CSA	1	
601106	12V	40	50	300W	UL, cUL, CSA	1	
601107	12V	40	100	300W	UL, cUL, CSA	1	
601108	12V	40	150	300W	UL, cUL, CSA	1	
INTELLIBRITE 5g WHITE POOL LIGHTS – 400 WATT EQUIVALENT, 120 VOLT							
601200	120V	48	30	400W	UL, cUL, CSA	1	
601201	120V	48	50	400W	UL, cUL, CSA	1	
601202	120V	48	100	400W	UL, cUL, CSA	1	
601203	120V	48	150	400W	UL, cUL, CSA	1	
601204	120V	48	250	400W	UL, cUL, CSA	1	
INTELLIBRITE 5g WHITE POOL LIGHTS – 400 WATT EQUIVALENT, 12 VOLT							
601205	12V	48	30	400W	UL, cUL, CSA	1	
601206	12V	48	50	400W	UL, cUL, CSA	1	
601207	12V	48	100	400W	UL, cUL, CSA	1	
601208	12V	48	150	400W	UL, cUL, CSA	1	
INTELLIBRITE 5g WHITE POOL LIGHTS – 500 WATT EQUIVALENT, 120 VOLT							
601300	120V	55	30	500W	UL, cUL, CSA	1	
601301	120V	55	50	500W	UL, cUL, CSA	1	
601302	120V	55	100	500W	UL, cUL, CSA	1	
601303	120V	55	150	500W	UL, cUL, CSA	1	
601304	120V	55	250	500W	UL, cUL, CSA	1	
INTELLIBRITE 5g WHITE POOL LIGHTS – 500 WATT EQUIVALENT, 12 VOLT							
601305	12V	55	30	500W	UL, cUL, CSA	1	
601306	12V	55	50	500W	UL, cUL, CSA	1	
601307	12V	55	100	500W	UL, cUL, CSA	1	
601308	12V	55	150	500W	UL, cUL, CSA	1	

NOTE: Appearance of color and white LED light may vary between various models of lights. Appearance and perception of pool lighting may vary depending on a number of factors including, but not limited to, the particular model of light, the location/depth/angle of the light's installation, pool finish/material, pool depth/shape/geometry, ambient light sources, subjective factors and more. For best results when using multiple lights, use all the same model and do not mix multiple models of lights within a single installation.

INTELLIBRITE® 5G WHITE LED LIGHTS (CONT'D)

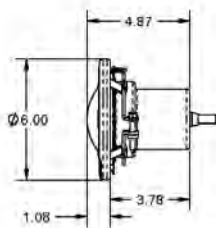
UNDERWATER LED LIGHTS FOR SWIMMING POOLS AND SPAS

Ordering Information for Spa Lights

Product	Voltage	Wattage	Cord Length (Ft.)	Incandescent Equivalency	Primary Listing and Certifications	Carton Qty.	Carton Wt. (Lbs.)
INTELLIBRITE 5g WHITE SPA LIGHTS - 120 VOLT							
640140	120V	18W	30	100W	UL, cUL	1	6.5
640141	120V	18W	50	100W	UL, cUL	1	8
640142	120V	18W	100	100W	UL, cUL	1	12
640143	120V	18W	150	100W	UL, cUL	1	16
640144	120V	18W	250	100W	UL, cUL	1	25
INTELLIBRITE 5g WHITE SPA LIGHTS - 12 VOLT							
640150	12V	18W	30	100W	UL, cUL	1	5.5
640151	12V	18W	50	100W	UL, cUL	1	7
640152	12V	18W	100	100W	UL, cUL	1	11
640153	12V	18W	150	100W	UL, cUL	1	18

Warning: The IntelliBrite White LED light cannot be used with a dimmer circuit. Using a dimmer switch will result in permanent damage to the light.

Dimensions and Certifications



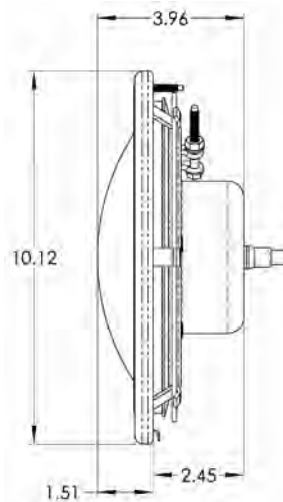
IntelliBrite White Spa Light Dimensions

Note: All 120 volt pool and spa lights must be connected to a branch circuit protected by a ground fault circuit interrupter (GFCI).

¹**Notice:** Underwriters Laboratories has listed Pentair Water Pool and Spa, Inc. lights for use with Pentair Water Pool and Spa, Pentair Pool Products, American Products, Purex, or PacFab niches ONLY. To ensure proper grounding/bonding connections install only Pentair Water Pool and Spa lights in Pentair, Water Pool and Spa, Pentair Pool Products, American Products, Purex or PacFab niches only.

Note: **IntelliBrite Pool Sized Lights** can be utilized to replace: **Sta-Rite:** SunSaver¹, SunBrite¹, SunGlow¹. **American Products:** Amerlite¹. **Purex-Triton:** SunRay¹, Pool Star¹, Hatteras¹. **PacFab:** Spectrum Amerlite¹ (SAM), AmerQuartz¹, and most lights that are 10.12" across. To ensure proper grounding of replacement lights, please see the notice directly above.

IntelliBrite Spa Sized Light can be utilized to replace: **Sta-Rite:** SunBurst¹. **American Products:** Hi-Lite¹, Aqua-Light¹, Spa Brite¹. **Purex-Triton:** SunRise¹. **PacFab:** Spectrum Aqualight¹ (SAL). To ensure proper grounding of replacement lights, please see the notice directly above.



IntelliBrite White Pool Light Dimensions

CALIFORNIA PROPOSITION 65 WARNING

▲ **WARNING:** Cancer and Reproductive Harm.
▲ **AVERTISSEMENT:** Peut Causer le Cancer et des Dommages au Système Reproducteur.
▲ **ADVERTENCIA:** Cáncer y Daño Reproductivo.

www.p65warnings.ca.gov. PN 201744

GLOBRITE® WHITE AND COLOR LED LIGHTS

UNDERWATER LED LIGHTS FOR SWIMMING POOLS AND SPAS



GloBrite LED Light
Fiberglass Niche



GloBrite LED Light
Vinyl Niche



GloBrite LED Light
Gunite/Concrete Niche

GloBrite LED lighting is a brilliant way to showcase your backyard oasis and highlight pool features like sun shelves, steps, beach entries and bubblers.

Note: Only GloBrite **white** lights have two dimming levels. GloBrite color lights cannot be dimmed.

Featured Highlights

- Advanced technology for energy-efficient high quality pool lighting.
- Can be placed in as little as 4 in. of water even in the floor pointing up
- Does not require grounding or bonding for quick and easy installations
- 5 brilliant fixed colors and 7 pre-programmed light shows
- Compatible with all Pentair Lighting Controllers and Automation Systems for advanced control features
- Compatible with gunite/concrete, fiberglass and vinyl pools

CALIFORNIA PROPOSITION 65 WARNING
 ⚠️ WARNING: Cancer and Reproductive Harm.
 ⚠️ AVERTISSEMENT: Peut Causer le Cancer et des Dommages au Système Reproducteur.
 ⚠️ ADVERTENCIA: Cáncer y Daño Reproductivo.
www.p65warnings.ca.gov PH 201714

Ordering Information

Product	Voltage	Wattage	Cord Length (Ft.)	Carton Qty.	Carton Wt. (Lbs.)
GLOBRITE COLOR LED LIGHTS					
602053	12	15W	30	1	5
602054	12	15W	50	1	6
602055	12	15W	100	1	9
602056	12	15W	150	1	12

Product	Voltage	Wattage	Cord Length (Ft.)	Carton Qty.	Carton Wt. (Lbs.)
GLOBRITE WHITE LED LIGHTS					
602102	12	15W	30	1	5
602103	12	15W	50	1	6
602104	12	15W	100	1	9
602105	12	15W	150	1	12

Product	Description	Carton Qty.	Carton Wt. (Lbs.)
GLOBRITE NICHES			
620040	Gunite/Concrete Niche for GloBrite (includes white, blue, black, gray and tan rings)	1	1.3
620039	Vinyl Niche for GloBrite (includes white, blue, and gray rings)	1	1.3
620041	Fiberglass Niche for GloBrite (white)	1	1.3
620093	Fiberglass Niche for GloBrite (blue)	1	1.3
620094	Fiberglass Niche for GloBrite (gray)	1	1.3
GLOBRITE COLOR KITS, INCLUDING NICHE & TRANSFORMER			
619993	1 GloBrite Color 100 ft. with 300W Transformer + Gunite Niche	1	25
619994	2 GloBrite Color 100 ft. with 300W Transformer + 2 Gunite Niches	1	40
620051	1 GloBrite Color 100 ft. with 300W Transformer + Fiberglass Niche	1	25
620052	2 GloBrite Color 100 ft. with 300W Transformer + 2 Fiberglass Niches	1	40
620080	1 GloBrite Color 100 ft. with 300W Transformer + Vinyl Niche	1	25
620081	2 GloBrite Color 100 ft. with 300W Transformer + 2 Vinyl Niches	1	40

NOTE: Appearance of color and white LED light may vary between various models of lights. Appearance and perception of pool lighting may vary depending on a number of factors including, but not limited to, the particular model of light, the location/depth/angle of the light's installation, pool finish/material, pool depth/shape/geometry, ambient light sources, subjective factors and more. For best results when using multiple lights, use all the same model and do not mix multiple models of lights within a single installation.

GLOBRITE® WHITE AND COLOR LED LIGHTS (CONT'D)

UNDERWATER LED LIGHTS FOR SWIMMING POOLS AND SPAS

Ordering Information

Product	Description	Carton Qty.	Carton Wt. (Lbs.)
GLOBRITE WHITE KITS, INCLUDING NICHE & TRANSFORMER			
602106	2 GloBrite White 100 ft. with 300W Transformer + 2 Gunite Niches	1	40
602107	2 GloBrite White 100 ft. with 300W Transformer + 2 Fiberglass Niches	1	40
602108	2 GloBrite White 100 ft. with 300W Transformer + 2 Vinyl Niches	1	40
TRANSFORMERS (LANDSCAPE AND POOL RATED)			
619962	120V Input, 12-14V Output 100W	1	12
619963	120V Input, 12-14V Output 300W	1	12
ACCESSORIES			
620314	GloBrite LED Light Glare Shield		
602136	Replacement Face Ring Kit for GloBrite Vinyl Liner Niche, Blue*		
602137	Replacement Face Ring Kit for GloBrite Vinyl Liner Niche, Gray*		
602138	Replacement Face Ring Kit for GloBrite Vinyl Liner Niche, White*		

* Includes three (3) faceplates in specified color, three (3) gaskets, twelve (12) screws. Each kit can fully equip three (3) GloBrite lights with new faceplates, gaskets and screws.

All Pentair UL Listed underwater lights are certified for use in fresh water with up to 6,000 ppm salinity.

Dimensions and Certifications



<p>CALIFORNIA PROPOSITION 65 WARNING</p> <p>⚠ WARNING: Cancer and Reproductive Harm.</p> <p>⚠ AVERTISSEMENT: Peut Causer le Cancer et des Dommages au Système Reproducteur.</p> <p>⚠ ADVERTENCIA: Cáncer y Daño Reproductivo.</p> <p>www.p65warnings.ca.gov PR 2017/14</p>
--

See page 447 for replacement parts.

INTELLIBRITE® COLOR LANDSCAPE LIGHTS

COLOR LED LIGHTS FOR LANDSCAPES

TRADEGRADE



IntelliBrite Landscape Lights

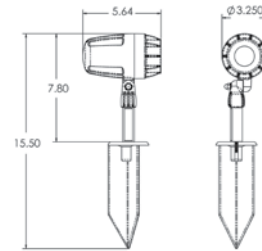
IntelliBrite Landscape Lights, with 5 fixed colors and 7 shows, are compatible with IntelliBrite Pool and Spa Lights, and can be controlled by IntelliTouch and EasyTouch Controllers. These lights can be mounted in any position on the wall or ground with an arm swing of 0° to 90°.

CALIFORNIA PROPOSITION 65 WARNING
 ⚠️ **WARNING:** Cancer and Reproductive Harm.
 ⚠️ **AVERTISSEMENT:** Peut Causer le Cancer et des Dommages au Système Reproducteur.
 ⚠️ **ADVERTENCIA:** Cáncer y Daño Reproductivo.
 www.p65warnings.ca.gov. PN 201741

Featured Highlights

- Ability to Synchronize with IntelliBrite Color Pool and Spa Lights
- Can be controlled by IntelliTouch® and EasyTouch® Systems
- Utilizes Energy Efficient LED technology
- 2 levels of Brightness and color saturation
- 2 suites of colors ("Landscape and IntelliBrite")
- 40° beam width

Dimensions and Certifications



See page 447 for replacement parts.

Ordering Information

Product	Voltage	Wattage	Carton Qty.	Carton Wt. (Lbs.)
INTELLIBRITE LANDSCAPE LIGHTS				
690019	12V	15	1	2.5
POOL AND LANDSCAPE RATED LIGHT TRANSFORMERS				
619962	12V-14V	100	1	10
619963	12V-14V	300	1	17

COLOR SYNC™ CONTROLLER

FOR PENTAIR COLOR LED POOL LIGHTS

With the Color Sync Controller, your customers can quickly, easily and remotely turn their backyard oasis into a true extension of their home. Convenient control through the Pentair Home app puts them in the driver's seat to automate a vibrant pool experience that matches their mood.



Featured Highlights

- Universally compatible with all Pentair Color LED lights.
- Convenient control with the Pentair Home app.
- Create dazzling light shows from seven existing themes and five colors.
- Easily save favorite color settings for future use.
- Set automated schedules through the app.
- Weatherproof design for outdoor installation.
- GPS enabled to automatically turn on at twilight.
- Weekday vs. weekend options, with multiple runtime options.

Compatible with MicroBrite® Color LED Lights, GloBrite® Color Changing LED Lights, IntelliBrite® 5G Color LED Pool Lights, ColorVision® LED Bubbler, MagicStream® Laminars, and MagicBowl® Water Effects

Ordering Information

Product	Descriptor
COLOR SYNC™ CONTROLLER	
618031	Color Sync Controller

CALIFORNIA PROPOSITION 65 WARNING
 ⚠️ **WARNING:** Cancer and Reproductive Harm.
 ⚠️ **AVERTISSEMENT:** Peut Causer le Cancer et des Dommages au Système Reproducteur.
 ⚠️ **ADVERTENCIA:** Cáncer y Daño Reproductivo.
 www.p65warnings.ca.gov. PN 201741

NOTE: Appearance of color and white LED light may vary between various models of lights. Appearance and perception of pool lighting may vary depending on a number of factors including, but not limited to, the particular model of light, the location/depth/angle of the light's installation, pool finish/material, pool depth/shape/geometry, ambient light sources, subjective factors and more. For best results when using multiple lights, use all the same model and do not mix multiple models of lights within a single installation.

AMERLITE®

UNDERWATER INCANDESCENT LIGHTS WITH S/S FACE RINGS

TRADEGRADE

Featured Highlights

- A standard of reliability
- Stainless steel face ring with uni-tension clamp
- Prismatic tempered lens
- Low water cutoff
- Medium blue lenses available
- Plastic snap-on face rings available for s/s lights

Amerlite light, a standard of reliability for underwater lights, features a stainless steel shell, 8-3/8 in. prismatic tempered glass lens, and stainless steel face ring with uni-tension clamp. Amerlite lights are UL listed to install in full-sized Pentair Pool Products, American, PacFab and Purex niches.



Amerlite Incandescent Light

CALIFORNIA PROPOSITION 65 WARNING

⚠️ **WARNING:** Cancer and Reproductive Harm.
 ⚠️ **AVERTISSEMENT:** Peut Causer le Cancer et des Dommages au Système Reproducteur.
 ⚠️ **ADVERTENCIA:** Cáncer y Daño Reproductivo.

www.p65warnings.ca.gov

All Pentair UL Listed underwater lights are certified for use in fresh water with up to 6,000 ppm salinity.

Ordering Information

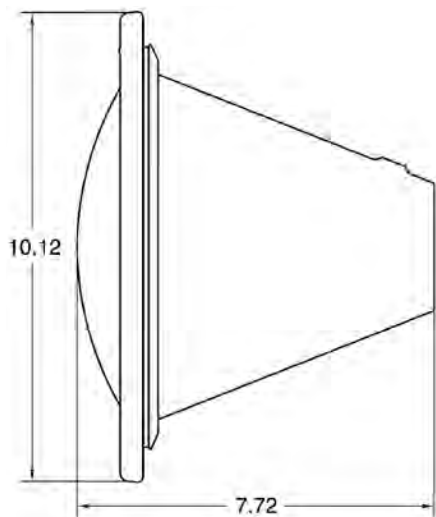
Product	Voltage	Wattage	Cord Length (Ft.)	Carton Qty.	Carton Wt. (Lbs.)
AMERLITE WITH STAINLESS STEEL FACE RING – 300 WATT, 120 VOLT					
78421100	120	300	15	1	6
78428100	120	300	50	1	10
78928500	120	300	100	1	15
78927000	120	300	150	1	20
78927900	120	300	200	1	25
AMERLITE WITH STAINLESS STEEL FACE RING – 400 WATT, 120 VOLT					
78441100	120	400	15	1	6
78448100	120	400	50	1	10
78949100	120	400	100	1	15
78447100	120	400	150	1	20
78449100	120	400	200	1	25
AMERLITE WITH STAINLESS STEEL FACE RING – 500 WATT, 120 VOLT					
78451100	120	500	15	1	6
78458100	120	500	50	1	10
78456300	120	500	100	1	15
78457100	120	500	150	1	20
78459100	120	500	200	1	25
78458300	120	500	250	1	35
AMERLITE WITH STAINLESS STEEL FACE RING – 100 WATT, 12 VOLT					
78411100	12	100	15	1	6
78418100	12	100	50	1	10
78415100	12	100	100	1	15

AMERLITE® (CONT'D)

UNDERWATER INCANDESCENT LIGHTS WITH S/S FACE RINGS

Product	Voltage	Wattage	Cord Length (Ft.)	Carton Qty.	Carton Wt. (Lbs.)
AMERLITE WITH STAINLESS STEEL FACE RING – 300 WATT, 12 VOLT					
78431100	12	300	15	1	10
78438100	12	300	50	1	17
78435100	12	300	100	1	20
STAINLESS STEEL AMERLITE WITH MEDIUM BLUE LENS – 400 WATT, 120 VOLT					
78444200	120	400	30	1	8
78448200	120	400	50	1	10
78950100	120	400	100	1	15
STAINLESS STEEL AMERLITE WITH MEDIUM BLUE LENS – 500 WATT, 120 VOLT					
78454200	120	500	30	1	8
78458200	120	500	50	1	10
78958500	120	500	100	1	15
AMERLITE WITH STAINLESS STEEL FACE RING - CANADIAN LIGHT					
78453102	120	500	30	4	11
LENS, COVERS, AND FACE RINGS FOR AMERLITE					
79100100	Clear Lens, tempered			1	1
79100200	Medium Blue Lens, tempered			1	1/2
78900100	Plastic Snap-on Color Lens Kit (Blue, Green, Red)			1	1
79110600	Stainless Steel Face Ring			1	1/2
79213100	Plastic Snap-on face ring (White), Qty. 24			24	2
79212165	Plastic Snap-on face ring (Gray) Qty. 1			1	1/2
79212111	Plastic Snap-on face ring (Black) Qty. 1			1	1/2

Dimensions and Certifications



Note: All 120 volt pool and spa lights must be connected to a branch circuit protected by a ground fault circuit interrupter (GFCI).

Note: All cord lengths over 50 feet on 12 volt lights create resistance that dramatically reduces the light output. This condition exists on all low voltage lights regardless of design or manufacturer.

Notice: Underwriters Laboratories has listed Pentair Water Pool and Spa, Inc. lights for use with Pentair Water Pool and Spa, Pentair Pool Products, American Products, Purex, or PacFab niches ONLY. To ensure proper grounding/bonding connections install only Pentair Water Pool and Spa lights in Pentair, Water Pool and Spa, Pentair Pool Products, American Products, Purex or PacFab niches only.

Note: **Amerlite** Incandescent Lights can be utilized to replace: **Sta-Rite:** SunSaver, SunGlow. **Purex-Triton:** Hatteras. **PacFab:** AmerQuartz, Spectrum Amerlite (SAM). To ensure proper grounding of replacement lights, please see the notice directly above.

CALIFORNIA PROPOSITION 65 WARNING

⚠️ **WARNING:** Cancer and Reproductive Harm.
 ⚠️ **AVERTISSEMENT:** Peut Causer le Cancer et des Dommages au Système Reproducteur.
 ⚠️ **ADVERTENCIA:** Cáncer y Daño Reproductivo.
www.p65warnings.ca.gov PA 201514

See page 450 for replacement parts.

SPABRITE®

INCANDESCENT LIGHTS FOR SWIMMING POOLS AND SPAS

Featured Highlights

- Stainless steel face rings
- Prismatic tempered glass lens
- Stainless steel housing
- Easy service stainless steel clamp
- Incandescent 12V and Halogen 120V lamp
- Low water cutoff
- Easy to service
- Plastic snap-on colored face ring covers available

SpaBrite lights are available with stainless steel face rings. These lights are perfect for spas and areas where space is not available for a full-size light. SpaBrite lights install in small plastic or stainless steel Pentair niches.

CALIFORNIA PROPOSITION 65 WARNING

⚠ **WARNING:** Cancer and Reproductive Harm.
 ⚠ **AVERTISSEMENT:** Peut Causer le Cancer et des Dommages au Système Reproducteur.
 ⚠ **ADVERTENCIA:** Cáncer y Daño Reproductivo.
www.p65warnings.ca.gov

TRADEGRADE



SpaBrite Incandescent Lights

Ordering Information

Product	Voltage	Wattage	Cord Length (Ft.)	Carton Qty.	Carton Wt. (Lbs.)
SPABRITE HALOGEN LIGHTS WITH STAINLESS STEEL FACE RING – 120 VOLT					
78106000	120	60W (100W equivalency)	30	1	7
78106100	120	60W (100W equivalency)	50	1	9
78106200	120	60W (100W equivalency)	100	1	14
78106300	120	60W (100W equivalency)	150	1	19
78106400	120	60W (100W equivalency)	200	1	24
SPABRITE LIGHTS WITH STAINLESS STEEL FACE RING – 12 VOLT					
78101200	12	100W	15	1	6
78108200	12	100W	50	1	9
78107500	12	100W	100	1	14
SPABRITE WITH STAINLESS STEEL FACE RING - CANADIAN LIGHTS					
78103202	12	100W equivalency	30	12	9
78106002	120	60W (100 equivalency)	30	12	9
ACCESSORIES					
79212200	Snap-on face ring, plastic, white			1	1/2
79212211	Snap-on face ring plastic, black			1	1/2
79212265	Snap-on face ring, plastic, gray			1	1/2
79108900	Snap-on color lens plastic, red			1	1/2
79109000Z	Snap-on color lens plastic, blue			1	1/2
650019	Snap-on color lens kit (magenta, purple, teal, green)			1	2

All Pentair UL Listed underwater lights are certified for use in fresh water with up to 6,000 ppm salinity.

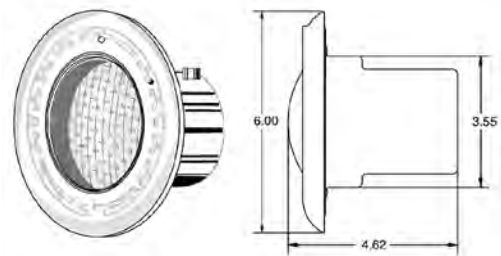
Note: All 120 volt pool and spa lights must be connected to a branch circuit protected by a ground fault circuit interrupter (GFCI).

Note: All cord lengths over 50 feet on 12 volt lights create resistance that dramatically reduces the light output. This condition exists on all low voltage lights regardless of design or manufacturer.

Notice: Underwriters Laboratories has listed Pentair Water Pool and Spa, Inc. lights for use with Pentair Water Pool and Spa, Pentair Pool Products, American Products, Purex, or PacFab niches ONLY. To ensure proper grounding/bonding connections install only Pentair Water Pool and Spa lights in Pentair, Water Pool and Spa, Pentair Pool Products, American Products, Purex or PacFab niches only.



Dimensions and Certifications



See page 451 for replacement parts.

AQUALIGHT®

HALOGEN QUARTZ LIGHTS WITH STAINLESS STEEL FACE RING

TRADEGRADE



AquaLight Halogen Lights

The AquaLight light uses halogen quartz bulbs and designed for installation in small plastic or stainless steel Pentair niches. The light shell is high-quality stainless steel and the lens is Prismatic tempered glass.

CALIFORNIA PROPOSITION 65 WARNING
 ⚠️ **WARNING:** Cancer and Reproductive Harm.
 ⚠️ **AVERTISSEMENT:** Peut Causer le Cancer et des Dommages au Système Reproducteur.
 ⚠️ **ADVERTENCIA:** Cáncer y Daño Reproductivo.
www.p65warnings.ca.gov PH201714A

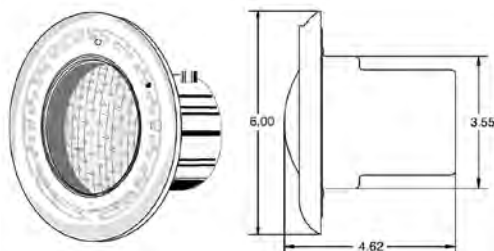
Featured Highlights

- Prismatic tempered glass lens
- Stainless steel housing
- Easy service stainless steel clamp
- Halogen-quartz lamp
- Low water cutoff
- Easy to service
- Plastic snap-on face rings and colored lenses available

Ordering Information

Product	Voltage	Wattage	Cord Length (Ft.)	Carton Qty.	Carton Wt. (Lbs.)
AQUALIGHT LIGHTS – 100 WATT, 120 VOLT					
77111100	120	100	15	1	6
77118100	120	100	50	1	9
77310100	120	100	100	1	14
AQUALIGHT LIGHTS – 250 WATT, 120 VOLT					
77161100	120	250	15	1	6
77168100	120	250	50	1	9
77360300	120	250	100	1	14
77365000	120	250	150	1	19
77362000	120	250	200	1	24
AQUALIGHT LIGHTS – 75 WATT, 12 VOLT					
77181100	12	75	15	1	6
77188100	12	75	50	1	9
77182500	12	75	100	1	12
AQUALIGHT LIGHTS - CANADIAN LIGHTS					
77113102	120	100	30	12	9
77163102	120	250	30	23	9
ACCESSORIES					
79212200	Snap-on face ring, plastic, white			1	.5
79212211	Snap-on face ring plastic, black			1	.5
79212265	Snap-on face ring, plastic, gray			1	.5
79108900	Snap-on color lens plastic, red			1	.5
79109000Z	Snap-on color lens plastic, blue			1	.5
650019	Snap-on color lens kit (magenta, purple, teal, green)			1	2

Dimensions and Certifications



All Pentair UL Listed underwater lights are certified for use in fresh water with up to 6,000 ppm salinity.

Note: All 120 volt pool and spa lights must be connected to a branch circuit protected by a ground fault circuit interrupter (GFCI).

Note: All cord lengths over 50 feet on 12 volt lights create resistance that dramatically reduces the light output. This condition exists on all low voltage lights regardless of design or manufacturer.

Notice: Underwriters Laboratories has listed Pentair Water Pool and Spa, Inc. lights for use with Pentair Water Pool and Spa, Pentair Pool Products, American Products, Purex, or PacFab niches ONLY. To ensure proper grounding/bonding connections install only Pentair Water Pool and Spa lights in Pentair, Water Pool and Spa, Pentair Pool Products, American Products, Purex or PacFab niches only.

See page 451 for replacement parts.

AQUALUMIN® III LIGHTS

NICHELESS LIGHT FOR SWIMMING POOLS AND SPAS

Featured Highlights

- Requires only a 3 in. hole in wall panel
- No costly make-up panels
- No extra braces
- Wall hugging fit
- Easy to service
- Easy to install

The AquaLumin III nicheless lights provide brilliant, double contact halogen quartz lighting for all vinyl liner pools and spas. This convenient design uses a mounting hub and bracket instead of a niche. This light eliminates the need for pre-punched light panels, costly make-up panels and extra braces for vinyl pools.

CALIFORNIA PROPOSITION 65 WARNING
 ⚠️ **WARNING:** Cancer and Reproductive Harm.
 ⚠️ **AVERTISSEMENT:** Peut Causer le Cancer et des Dommages au Système Reproducteur.
 ⚠️ **ADVERTENCIA:** Cáncer y Daño Reproductivo.
www.p65warnings.ca.gov P65-2015-11

TRADEGRADE



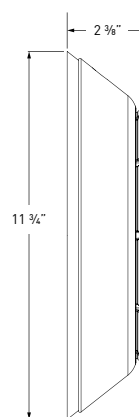
AquaLumin III Nicheless Light

Ordering Information

Product	Voltage	Wattage	Cord Length (Ft.)	Carton Qty.	Carton Wt. (Lbs.)
AQUALUMIN III LIGHTS – 250 WATT, 120 VOLT					
78864200	120	250	50	1	9
78864250	120	250	100	1	13
78864300	120	250	150	1	15
12 VOLT					
78873500	12	100	50	1	9
78873700	12	100	100	1	11
Accessories					
78887700	Vinyl liner, 3/4 in. hub (Includes mounting bracket)			1	2
78887800	Vinyl liner, 1 in. hub (Includes mounting bracket)			1	2
Replacement Parts					
600140	AquaLumin III Lens Kit (red, green, blue)			1	1

All Pentair UL Listed underwater lights are certified for use in fresh water with up to 6,000 ppm salinity

Dimensions and Certifications



Note: All 120 volt pool and spa lights must be connected to a branch circuit protected by a ground fault circuit interrupter (GFCI).

Note: All cord lengths over 50 feet on 12 volt lights create resistance that dramatically reduces the light output. This condition exists on all low voltage lights regardless of design or manufacturer.

See page 452 for replacement parts.

AQUALUMINATOR®

LIGHT AND WATER RETURN FOR ABOVEGROUND POOLS



AquaLuminator Light and Water Return

Our Hydro-Optic™ Technology creates this integrated light and return fitting combination. This light fits the existing water return hole pre-punched by most aboveground pool manufacturers and can be installed on new or millions of existing pools. The AQL 500, with 33% fewer lumens than the standard AquaLuminator light offers quality entry-level lighting for smaller pools.

CALIFORNIA PROPOSITION 65 WARNING

⚠️ **WARNING:** Cancer and Reproductive Harm.
 ⚠️ **AVERTISSEMENT:** Peut Causer le Cancer et des Dommages au Système Reproducteur.
 ⚠️ **ADVERTENCIA:** Cáncer y Daño Reproductivo.
www.p65warnings.ca.gov

Featured Highlights

- Light and return fitting
- 25 ft. plug-in cord
- Deluxe retail packaging
- Fits most aboveground pools
- AQL 500 for smaller pools
- Pressure cleaner adapter
- Fountain attachment available
- Hard plumbing adapter

Ordering Information

Product	Description	Carton Qty.	Carton Wt. (Lbs.)
ABOVEGROUND LIGHTS			
600030	AQL 500 aboveground light ¹	1	6
600040	Quasar 500 Non-return light ¹	1	6
98600000	AquaLuminator 2010 convertible	1	6
98605300	Quasar Non-return light	1	6
98630000	AquaLuminator 2000, no transformer	1	1
98600008	AquaLuminator, 240 volt	1	1
AQUALUMINATOR ABOVEGROUND LIGHTS - CANADIAN			
600042	Quasar 500 CSA	8	6
98610002	AquaLuminator 2000	8	6
98610042	AquaLumator 2000 w/Fountain CSA	8	6
ACCESSORIES			
79100000	Fountain attachment, fits all AquaLuminator models	1	1
79202900	Hard plumbing adapter	1	2
79203100	Adapter to connect AquaLuminator to cleaner ¹	1	1
619539	Non-return fitting	1	1
619551	Color Lens Kit (Blue & Green)	1	2

¹ AQL 500 and Quasar 500 does not support the fountain attachment or the pressure cleaner adapter.

All Pentair UL Listed underwater lights are certified for use in fresh water with up to 6,000 ppm salinity.

Dimensions and Certifications



Hard Plumbing Adapter



Pressure Cleaner Adapter



Fountain Attachment



Quasar Non-return Light for Aboveground Pools

See page 449 for replacement parts.

FOUNTAIN LIGHTS AND FIXTURES

FOR USE IN FOUNTAINS

Featured Highlights

Fountain Fixtures

- Sturdy cast bronze construction with attractive natural bronze finish
- Base and yoke-mount rotate 360° and pivot 180°
- Integrated bonding lug for electrical safety
- Innovative strain-relief prevents damage to wiring connections
- Niche installation option available
- Large fixture for use with the IntelliBrite® 5g Pool Light for water fountains, and Amerlite® Lights listed for fountain use
- Small fixture for use with IntelliBrite 5g Spa Light, AquaLight®, and SpaBrite® Lights listed for fountain use



Pentair Fountain Lights are commercial grade fixtures that offer color lighting capabilities, as well as traditional white lighting. When combined with Pentair's IntelliBrite 5g color lights, these systems can bathe fountains in a constantly changing spectrum of color. Both large and small fixtures are designed for easy installation and for use with Pentair lights only.

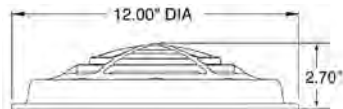
Ordering Information

Product	Description	Carton Qty.	Carton Wt. (Lbs.)
FOUNTAIN FIXTURES			
560000	Fountain fixture for large lights with rock guard ¹	1	15
560001	Fountain fixture for small lights with rock guard ¹	1	9
FOUNTAIN ROCK GUARDS			
560002	Fountain rock guard for large niches ²	1	7
560003	Fountain rock guard for small niches ²	1	4

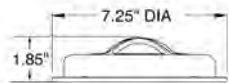
¹ Light is sold separately.

² Light and niche sold separately.

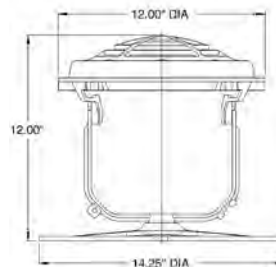
Dimensions and Certifications



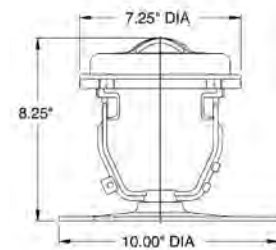
Fountain Rock Guard for Large Niches



Fountain Rock Guard for Small Niches



Fountain Fixture for Large Lights



Fountain Fixture for Small Lights

Note: Underwriters Laboratories has listed Pentair Water Pool and Spa, Inc. lights for use with Pentair Water Pool and Spa, Pentair Pool Products, American Products, Purex, or PacFab niches ONLY. To ensure proper grounding/bonding connections install only Pentair Water Pool and Spa lights in Pentair, Water Pool and Spa, Pentair Pool Products, American Products, Purex or PacFab niches only.

CALIFORNIA PROPOSITION 65 WARNING

⚠ **WARNING:** Cancer and Reproductive Harm.
 ⚠ **AVERTISSEMENT:** Peut Causer le Cancer et des Dommages au Système Reproducteur.
 ⚠ **ADVERTENCIA:** Cáncer y Daño Reproductivo.
www.p65warnings.ca.gov

See page 453 for replacement parts.

PENTAIR LARGE STAINLESS STEEL NICHES

NICHES FOR SWIMMING POOLS AND SPAS



Pentair Large Niches

Large stainless steel niches are formed with brass fittings. All niches have internal and external grounding lugs for use with either metal or PVC conduit.

CALIFORNIA PROPOSITION 65 WARNING
 ⚠️ WARNING: Cancer and Reproductive Harm.
 ⚠️ AVERTISSEMENT: Peut Causer le Cancer et des Dommages au Système Reproducteur.
 ⚠️ ADVERTENCIA: Cáncer y Daño Reproductivo.
 www.p65warnings.ca.gov. PH 201714

Featured Highlights

- Niches for all installations
- Stainless steel housing
- Brass hub: 1/2, 3/4, or 1 in.
- Internal/external bonding lugs
- Vinyl niches with chrome/brass sealing rings
- Sandwich gasket for vinyl
- Powder coated sealing ring (optional)

Ordering Information

Product	Description	Carton Qty.	Carton Wt. (Lbs.)
LARGE STAINLESS STEEL NICHES FOR CONCRETE INSTALLATION			
78210400	3/4 in. top hub	1	3
78210700	3/4 in. rear hub	1	3
78210500	1 in. top hub	1	3
78210600	1 in. rear hub	1	3
VINYL AND FIBERGLASS INSTALLATION, STANDARD 10 HOLE PATTERN			
78232400	Fiberglass/liner, 3/4 in. rear hub	1	5
78232500	Fiberglass/liner, 1 in. rear hub	1	5
LARGE STAINLESS STEEL NICHE, CONCRETE SHIELD			
45361000	Niche Shield for construction	1	0.325
79211600Z	Replacement/Repair Niche plaster ring	1	5
LARGE STAINLESS STEEL NICHE - CANADIAN LIGHTS			
78210701	For Concrete Installation - 3/4 in. rear hub	1	0.25
78232401	For Vinyl and Fiberglass Installation - 3/4 in. rear hub		
POWDER COATED SEALING RINGS, VINYL/FIBERGLASS			
79200255	Sealing ring, large niche (white)	1	0.01
SEALANT FOR NICHE BONDING LUGS			
60028300	Listed potting compound	1	0.0375

Dimensions and Certifications



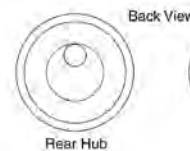
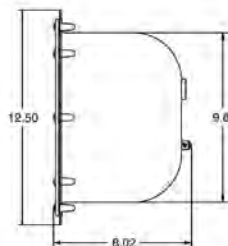
Notice: Underwriters Laboratories has listed Pentair Water Pool and Spa, Inc. lights for use with Pentair Water Pool and Spa, Pentair Pool Products, American Products, Purex, or PacFab niches ONLY. To ensure proper grounding/bonding connections install only Pentair Water Pool and Spa lights in Pentair, Water Pool and Spa, Pentair Pool Products, American Products, Purex or PacFab niches only.



Standard 10 Hole Pattern



Gunitite Hole Pattern



See page 454 for replacement parts.

PENTAIR SMALL STAINLESS STEEL NICHEs

NICHEs FOR SWIMMING POOLs AND SPAS

Featured Highlights

- Stainless steel housing
- Brass hub: 1/2, 3/4, 1 in.
- Internal/external bonding lugs
- Vinyl niches with chrome/brass sealing rings
- Niches for all installations
- Sandwich gasket for vinyl



Pentair Small Niches

Small stainless steel niches are formed with brass fittings. All niches have internal and external bonding lugs and can be used with either metal or PVC conduit.

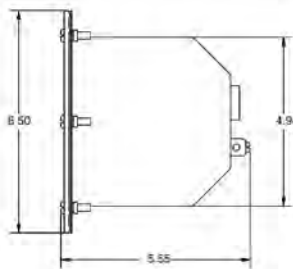
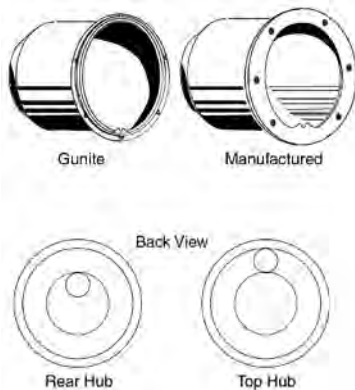
CALIFORNIA PROPOSITION 65 WARNING

⚠ **WARNING:** Cancer and Reproductive Harm.
 ⚠ **AVERTISSEMENT:** Peut Causer le Cancer et des Dommages au Système Reproducteur.
 ⚠ **ADVERTENCIA:** Cáncer y Daño Reproductivo.
www.p65warnings.ca.gov

Ordering Information

Product	Description	Carton Qty.	Carton Wt. (Lbs.)
SMALL STAINLESS STEEL NICHEs FOR CONCRETE INSTALLATION			
78243200	Concrete pools or spas, 3/4 in. top hub	1	2
78244200	Concrete pools or spas, 3/4 in. rear hub	1	2
78243300	Concrete pools or spas, 1 in. top hub	1	2
78244300	Concrete pools or spas, 1 in. rear hub	1	2
MANUFACTURED POOLs, SPAS & TUBs INSTALLATION			
78242200	Manufactured pools, spas & tubs, 3/4 in. rear hub	1	3
78242300	Manufactured pools, spas & tubs, 1 in. rear hub	1	3
SMALL STAINLESS STEEL NICHE SHIELD			
45361500	Niche shield for SpaBrite/AquaLight Niche	1	0.25
VINYL/FIBERGLASS NICHE SEALING RING, POWDER-COATED			
79206055	Sealing ring, small niche	1	0.01
SEALANT FOR NICHE BONDING LUGs			
60028300	Listed potting compound	1	0.325
SMALL STAINLESS STEEL NICHEs - CANADIAN LIGHTs			
78241202	For manufactured pools, spas & tubs, 3/4" top hub - Canadian Lights	12	2
78242202	For manufactured pools, spas & tubs, 3/4" rear hub - Canadian Lights	12	2
78244202	For Concrete Installation - 3/4 in. rear hub - Canadian Lights	12	3

Dimensions and Certifications



Notice: Underwriters Laboratories has listed Pentair Water Pool and Spa, Inc. lights for use with Pentair Water Pool and Spa, Pentair Pool Products, American Products, Purex, or PacFab niches ONLY. To ensure proper grounding/bonding connections install only Pentair Water Pool and Spa lights in Pentair, Water Pool and Spa, Pentair Pool Products, American Products, Purex or PacFab niches only.

See page 455 for replacement parts.

PLASTIC NICHES

PLASTIC NICHES FOR SWIMMING POOLS AND SPAS



Gunite Plastic Niches - These plastic concrete niches are molded of high strength, corrosion resistant PVC with a one inch PVC hub. Both 450 and 3/4 in. reducer bushings are included. Gunite models feature rebar tie-backs and a plaster ring for clean, simple installations and all are packed with a gunite/plaster shield.



QuickNiche™ Vinyl Liner Niche - One look at the QuickNiche is all it takes to see that this is a product that really lives up to its name. It is an easy-to-install, super-sealing light niche for vinyl liner pools. It features a revolutionary lock-ring design that mounts and seals like a vinyl inlet fitting fast, secure, and totally leak proof.

Featured Highlights

Gunite Plastic Niches:

- Innovative cord seal grommet (Accessory sold separately)
- Large and small models
- Rebar tie-backs
- Plaster ring for secure sealing
- Internal/external bonding lugs
- High strength PVC construction
- Rear one inch PVC hub
- Includes 45° and 3/4 in. reducer bushings
- Includes gunite/plaster shield

QuickNiche:

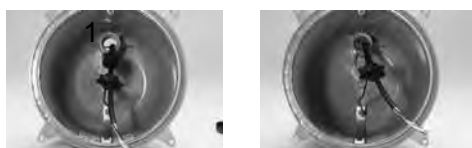
- Revolutionary design mounts and seals like a vinyl inlet fitting
- No screws directly through the pool wall as with conventional vinyl niches
- Designed for quick and easy, one-person installation
- Rubber gasket overmolded on seal ring for reliable sealing
- Built-in current-collecting ring for maximum safety
- Zero wall panel exposure
- Fits standard niche panel
- UL listed

Ordering Information

Product	Description	Carton Qty.	Carton Wt. (Lbs.)
PLASTIC NICHE - CONCRETE			
79206600	Small PVC niche, concrete	1	2
79206700	Large PVC niche, concrete	1	3
PLASTIC NICHE - VINYL			
620004	QuickNiche ¹	1	1
630043	QuickNiche blue seal ring	1	1
630044	QuickNiche gray seal ring	1	1
ACCESSORIES			
670044	Cord Seal Grommet Kit	3	1
60028300	Listed potting compound	1	0.325

Dimensions and Certifications

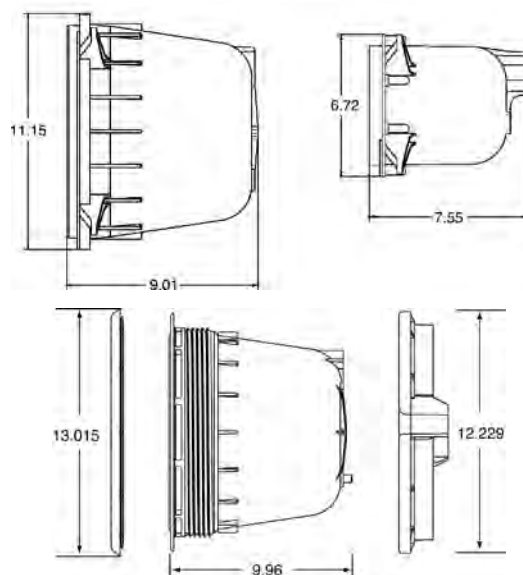
¹ Cord seal grommet not available for Quick Niche.



Innovative cord seal grommet accessory (p/n 670044)

Notice: Underwriters Laboratories has listed Pentair Water Pool and Spa, Inc. lights for use with Pentair Water Pool and Spa, Pentair Pool Products, American Products, Purex, or PacFab niches ONLY. To ensure proper grounding/bonding connections install only Pentair Water Pool and Spa lights in Pentair, Water Pool and Spa, Pentair Pool Products, American Products, Purex or PacFab niches only.

¹ Plastic niches are only listed for use with 12V lights in Canada.



See page 456 and 458 for replacement parts.

CALIFORNIA PROPOSITION 65 WARNING

⚠ **WARNING:** Cancer and Reproductive Harm.
 ⚠ **AVERTISSEMENT:** Peut Causer le Cancer et des Dommages au Système Reproducteur.
 ⚠ **ADVERTENCIA:** Cáncer y Daño Reproductivo.

www.p65warnings.ca.gov

LIGHT ACCESSORIES AND JUNCTION BOXES

ADD-ON FEATURES AND ACCESSORIES FOR ALL PENTAIR LIGHTS

Featured Highlights

Kwik-Change Lens Covers

- Powder coated vinyl niche sealing ring
- Snap-on plastic face rings available for s/s lights

Junction Boxes

- Available in 3 sizes: 1/2, 3/4 & 1 in.
- Polycarbonate cover with brass base
- Built-in strain relief
- UL listed

Our optional light and niche features are designed to enhance our standard products and accommodate your specific project requirements.



Add-on Light Features and Accessories

Ordering Information

Product	Description	Carton Qty.	Carton Wt. (Lbs.)
KWIK-CHANGE LENS COVERS			
650015	SpaBrite/AquaLight lens, magenta	1	0.5
650016	SpaBrite/AquaLight lens, purple	1	0.5
650017	SpaBrite/AquaLight lens, teal	1	0.5
650018	SpaBrite/AquaLight lens, green	1	0.5
78900800	Amerlite/AmerQuartz lens, blue	1	0.5
78900900	Amerlite/AmerQuartz lens, red	1	0.5
650019	SpaBrite/AquaLight lens, 6 assorted colors	1	0.5
78883700	AquaLumin (3 assorted colors)	1	0.8
600140	AquaLumin 3 Lens Cover Kit	1	0.5
78883701	AquaLumin lens, blue	1	0.5
78883702	AquaLumin lens, red	1	0.5
78883703	AquaLumin lens, green	1	0.5
78900100	Amerlite/AmerQuartz lens (3 colors - red, green, blue)	1	1
78900700	Amerlite/AmerQuartz lens, green	1	0.5

Product	Description	Carton Qty.	Carton Wt. (Lbs.)
SNAP-ON PLASTIC FACE RINGS FOR AMERLITE			
79212111	Black	1	0.01
79212165	Gray	1	0.01
79213111	Black	24	0.01
79213100	White	24	0.01
SNAP-ON PLASTIC FACE RINGS FOR SPABRITE/AQUALIGHT			
79212200	White	1	0.01
79212211	Black	1	0.06
79212265	Gray	1	0.06
VINYL NICHE SEALING RING, WHITE POWDER-COATED			
79200255	Sealing ring, large niche	1	0.01
79206055	Sealing ring, small niche	1	0.01
JUNCTION BOX BRASS BASE W/ POLYCARBONATE COVER ¹			
78310500	(3) - 1/2 in. ports	1	1
78310600	(3) - 3/4 in. ports	1	1
78310700	3/4 in. x 1 in. x 3/4 in. ports	1	1

¹ UL Listed.

CALIFORNIA PROPOSITION 65 WARNING
 ⚠️ **WARNING:** Cancer and Reproductive Harm.
 ⚠️ **AVERTISSEMENT:** Peut Causer le Cancer et des Dommages au Système Reproducteur.
 ⚠️ **ADVERTENCIA:** Cáncer y Daño Reproductivo.
www.p65warnings.ca.gov PK 2017/14

Dimensions and Certifications



See page 453 for junction box replacement parts.



MAINTENANCE & SAFETY EQUIPMENT



BRUSHES AND SCRUBBERS

POOL, SPA, DECK AND TILE BRUSHES

Featured Highlights

Curved Brushes

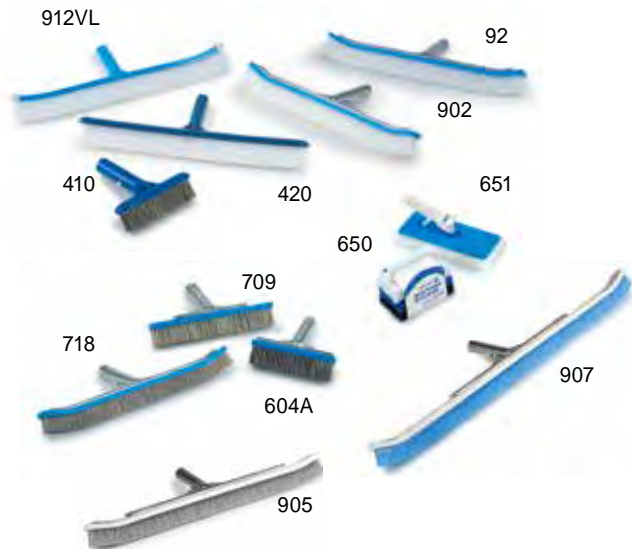
- UV stabilized polypropylene or nylon bristles.
- Snap-adapt handle fits most poles
- Aluminum Back Brushes with strong die cast aluminum back
- Molded Brushes with heavy-duty one piece molded construction
- Model 907 has a 50/50 blend of stainless and nylon bristles. Recommended for new pool start-up brushing or mild algae cleaning.

Stainless Steel Algae Brushes

- All algae brushes feature quality stainless steel bristles
- Perfect for removing tough algae on plaster surfaces
- Snap-adapt handle fits most poles

Scrubbers

- 650 Scrubber has a molded hand grip and includes 3 interchangeable pads
- 651 Universal Scrubber features an ABS back with a swivel joint handle and a light duty replaceable pad



Pool, Spa, Deck and Tile Brushes

CALIFORNIA PROPOSITION 65 WARNING

⚠ **WARNING:** Cancer and Reproductive Harm.
 ⚠ **AVERTISSEMENT:** Peut Causer le Cancer et des Dommages au Système Reproducteur.
 ⚠ **ADVERTENCIA:** Cáncer y Daño Reproductivo.
www.p65warnings.ca.gov

Ordering Information

Product	Model	Description	Carton Qty.	Carton Wt. (Lbs.)
CURVED BRUSHES				
R111046	92	18 in. Aluminum Back White nylon	12	13
R111316	902	18 in. Aluminum Back White polypropylene	12	12
R111358	907 ¹	18 in. Aluminum Back Blended, stainless & nylon	12	13
R111342	905	24 in. Aluminum Back Blue nylon	12	19
R111366	912	18 in. Molded Back White polypropylene	12	10
R111386	912VL	18 in. Molded Back White nylon, end caps for vinyl liner pools	12	10
R500013	420	18 in. Molded Back White polypropylene	12	9
ALGAE BRUSH – (NOT FOR VINYL LINER POOLS)				
R500012	410	6 in. Molded Back, Stainless Steel for Plaster, Concrete, Gunite	12	7
R111616	604A	6 in. Aluminum Back, Stainless Steel for plaster, Concrete, Gunite	12	6
R111626	709	9 in., Aluminum Back Stainless Steel for plaster, Concrete, Gunite	12	9
R111646	718	18 in., Aluminum Back Stainless Steel for plaster, Concrete, Gunite	12	15
ACID-WASH/TILE/DECK BRUSHES				
R111584		10 in. Blue & white crimped bristles	25	21
SCRUBBERS				
R111556	650	Multi-purpose scrub brush w/ 3 pads	12	6
R111560	651	Universal swivel handle, 4-5/8 in. x 10 in. w/ removable pad	12	6

¹ Not for use on vinyl liner pools.

Note: All items with snap-adapt handle include a high performance Acetal Resin Spring and will snap into all standard poles or can be bolted on, if preferred, simply by removing the Acetal Resin Spring.

FLOATS, FLOAT ROPE, AND SAFETY HOOK



Float Keepers

CALIFORNIA PROPOSITION 65 WARNING
 ⚠️ **WARNING:** Cancer and Reproductive Harm.
 ⚠️ **AVERTISSEMENT:** Peut Causer le Cancer et des Dommages au Système Reproducteur.
 ⚠️ **ADVERTENCIA:** Cáncer y Daño Reproductivo.
www.p65warnings.ca.gov PK 2017A

Featured Highlights

Floats & Safety Equipment

- Unsinkable, durable, polyethylene floats are available in a variety of sizes

Safety Float Lines

- Include 3/8 in. poly rope, 3 in. x 5 in. floats, solid chrome brass rope hook, 1 fid and locking device

Floats, Float Rope, and Safety Hook

Ordering Information

Product	Model	Description	Carton Qty.	Carton Wt. (Lbs.)
SAFETY POOL HOOK				
R221026	153	Fits any standard straight pole (do not attach to telescopic poles), nut. Mounting Hardware set not included. See item R221030	12	14
R221030	153	Hardware set for Pool Hook	1	
SWIM TEACHER				
R221056	58	Two 7 in. x 7 in. poly floats with 30 in. white PVC bar, packed in bag with header	6	10
FLOATS				
R181026	350	Red and white, 3 in. x 5 in. Oval Float, Fits 1/2 in. Rope	100	12
R181016	350	Blue and white, 3 in. x 5 in. Oval Float, Fits 1/2 in. Rope	100	12
R181046	350	Solid white, 3 in. x 5 in. Oval Float, Fits 1/2 in. Rope	100	12
R181086	590	Blue and white, 5 in. x 9 in. Oval Float, Fits 3/4 in. Rope	24	11
R181096	590	Red and white, 5 in. x 9 in. Oval Float, Fits 3/4 in. Rope	24	11
R181156	770	Solid white, 7 in. x 7 in. Round Float, Fits 3/4 in. Rope	20	10
FLOAT KEEPERS & ROPE HOOKS				
R181436	71	Secures No. 590 to 3/4 in. rope, two pieces and two screws, one set holds one float in place	1	
R181446	71	Set of two, bubble pack	12	1
R181486	74	Secures No. 590 to 3/4 in. rope, four pieces and two screws, one set holds one float in place	1	
R06017	355	Replacement chrome brass rope hook	1	
R181416	355	Replacement chrome brass rope hook, bubble pack	12	2
SAFETY FLOAT LINES				
R181206	3520	20 ft. Pool Dimension, 9 floats	6	15
R181216	3518	18 ft. Pool Dimension, 7 floats	6	14
R181226	3516	16 ft. Pool Dimension, 5 floats	6	12
R181200	3525	25 ft. Pool Dimension, 9 floats (Available Built to Order Only)	1	3
R181268	3524	24 ft. Pool Dimension, 9 floats (Available Built to Order Only)	1	3
R181269	3530	30 ft. Pool Dimension, 9 floats (Available Built to Order Only)	1	2

FLOATING CHEMICAL DISPENSERS

Featured Highlights

For use with Bromine or slow dissolving Trichlor tablets

330 Floating Chemical Dispenser

- Linear polyethylene construction and foam filled for added buoyancy. Has twist lock cap and adjustable control ring. Holds six 3 in. or 3 lbs. of 1 in. tablets.

335 Chlorine/Bromine Floating Dispenser

- For spas and small swimming pools. Linear polyethylene and foam filled. Rate of chemical dispensing is controlled by dial device. Holds 1 in. tablets only.

332 Splasher Pool/Spa Floating Dispenser

- For aboveground, splasher or small pools and spas. Can be used under spa or pool covers. Linear polyethylene and foam filled. Molded dispensing windows and positive control device. Holds approx. 11 oz. of 1 in. tablets.

Floating Accessory Leash

- Prevents floating items from hanging up or drifting away. Has 36 in. cord and molded anchor plate with pressure sensitive pad that adheres to most surfaces.



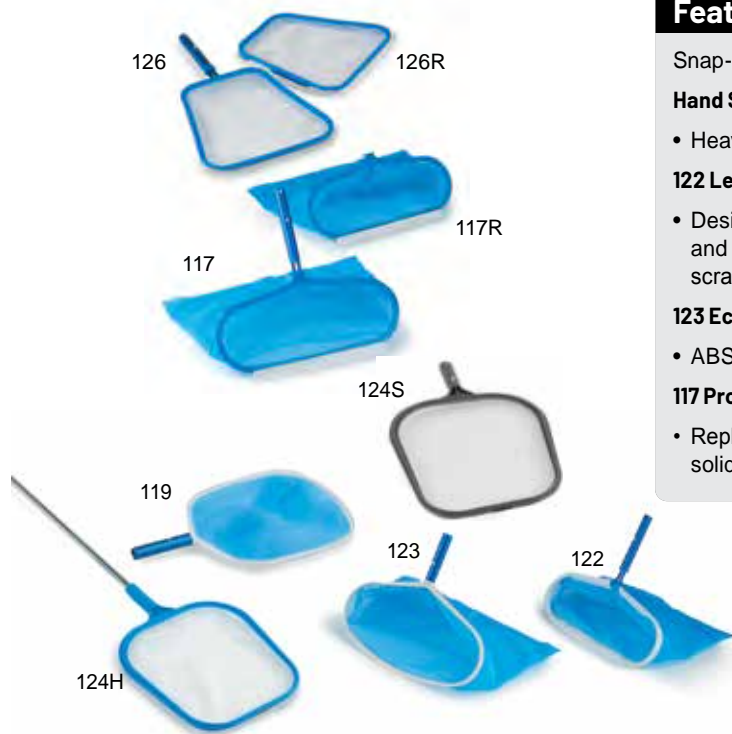
Floating Chemical Dispensers

CALIFORNIA PROPOSITION 65 WARNING
 ⚠️ **WARNING:** Cancer and Reproductive Harm.
 ⚠️ **AVERTISSEMENT:** Peut Causer le Cancer et des Dommages au Système Reproducteur.
 ⚠️ **ADVERTENCIA:** Cáncer y Daño Reproductivo.
www.p65warnings.ca.gov PA 200714

Ordering Information

Product	Description	Carton Qty.	Carton Wt. (Lbs.)
330 FLOATING CHEMICAL DISPENSER			
R171060	Floating Chemical Dispenser with screen installed between adjustment ring and body	12	13
R171086	Blue and white Floating Chemical Dispenser	12	13
332 SPLASHER POOL/SPA FLOATING DISPENSER			
R171130	Splasher Pool/Spa Dispenser	12	9
335 CHLORINE/BROMINE FLOATING DISPENSER			
R171074	Blue and white	12	8
R171090	Beige and white	12	8
R18855	Optional protective screen	1	
ACCESSORIES			
R221270	Floating Accessory Leash	1	

HAND SKIMMERS AND LEAF RAKES



Hand Skimmers and Leaf Rakes

Featured Highlights

Snap-adapt handles allow for use with most poles

Hand Skimmers

- Heavy-duty reversible nets stand up to tough wear

122 Leaf Rake

- Designed to easily remove leaves and debris. Screen and frame completely covered with squeegee for scraping fine, loose debris on pool bottom

123 Econo Leaf Rake

- ABS molded frame with aluminum reinforcement

117 Pro Leaf Rake

- Replaceable snap-on frame and net fits on 3/8 in. solid anodized aluminum rod

CALIFORNIA PROPOSITION 65 WARNING
 ⚠️ **WARNING:** Cancer and Reproductive Harm.
 ⚠️ **AVERTISSEMENT:** Peut Causer le Cancer et des Dommages au Système Reproducteur.
 ⚠️ **ADVERTENCIA:** Cáncer y Daño Reproductivo.
www.p65warnings.ca.gov PWS2017A

Ordering Information

Product	Model	Description	Carton Qty.	Carton Wt. (Lbs.)
HAND SKIMMERS				
R121026	119	Molded Frame Skimmer reinforced with aluminum and aluminum handle	12	8
R121166	124S	Spa/Aboveground Skimmer, screen molded into frame, with magnet	12	7
R121186	124H	Long Handle Skimmer, molded frame with 1 in. x 4 ft. pole	12	11
R121196	126	Professional Grade Heavy-duty Skimmer, 3/8 in. solid aluminum rod, Deep net molded into ABS snap-on replacement frame	12	13
R121216	126R	No. 126 Professional Grade Replacement frame and net	12	6
LEAF RAKES				
R121106	122	Leaf rake, 3/8 in. aluminum rod with attached handle and heavy-duty fiberglass screen	12	18
R121126	123	Econo leaf rake, ABS molded frame reinforced with aluminum, frame has raised lip for scraping bottom	12	10
R121230	117	Pro leaf rake, replaceable frame and net snaps onto 3/8 in. solid aluminum rod, replaceable squeegee strip	12	18
R121232	117R	Replacement frame, squeegee and netting for No. 117 and No. 122	12	12

LEAF TRAPS / LEAF EATERS

Featured Highlights

Leaf Traps

- Specially designed to be used with automatic suction-side pool cleaners or vacuum heads. Pentair Leaf Traps capture large amounts of leaves, twigs, rocks, hair pins, and other debris before it reaches the skimmer or pump basket. Most models include 3 ft. of flexible vacuum hose.

186 'Snap Open' Leaf Trap

- Features snap open and close lid, clear housing and large handle for ease of carrying. Available in 1-1/2 in. and 2 in. models. Traps debris in polyester bag. 25 sq. ft. cartridge (with special plug) for 100% filtration of fine dust, silt or small debris is also available.

360476 2.2 L Leaf Trap

- Fast and easy debris removal. Quick snap canister is a cinch to empty and clean. One male and one female hose attachment, no need for adapters.

185 Leaf Eater® Cleaner

- Venturi action top skimmer or bottom cleaner. Works with a garden hose and standard telepole or automatic pool cleaner hose. Collector bag slips on and off easily. Comes with brushes for vinyl liner pools and wheels for ease of turning on hard bottomed pools.



R172653 186A/B
Snap Open Leaf Traps

360476



185

186

Ordering Information

Product	Model	Description	Carton Qty.	Carton Wt. (Lbs.)
LEAF TRAPS				
R211084	186A	5.0 Liter Capacity, 1-1/2 in., bag, 3 ft. 1-1/2 in. hose	6	33
R211086	186B	5.0 Liter Capacity, 2 in., bag, 3 ft. hose	1	7
R211087	186B	5.0 Liter Capacity, 2 in., bag, no hose	1	5
R211256		Replacement hose	1	
R172653	186	25 sq. ft. cartridge w/ plug	1	
R211516		Standard mesh bag No. 186, No. 179C	1	
R211518		Sand/silt bag No. 186, No. 179C	1	
360476		2.2 Liter Capacity, 1-1/2 in., no hose	1	2
LEAF EATERS				
R211036	185	Wheels and brushes, mesh bag, display box	3	12
R211046	185B	Wheels and brushes, mesh bag, bulk, no display	6	17
R211286	185	No. 185-03 Sand/silt bag		
R211406	185	No. 185-15 Replacement brushes, bubble pack	1	
R211426	185	No. 185 Replacement bag, mesh	1	
R211436	185	No. 185 Wheels assembly, 3 per bubble pack	1	
HIGH CAPACITY LEAF EATER BAGS WITH EASY SLIDE ON/OFF CLOSURE				
R211432		Bag, 3 ft. long	1	

CALIFORNIA PROPOSITION 65 WARNING

⚠️ **WARNING:** Cancer and Reproductive Harm.
 ⚠️ **AVERTISSEMENT:** Peut Causer le Cancer et des Dommages au Système Reproducteur.
 ⚠️ **ADVERTENCIA:** Cáncer y Daño Reproductivo.

www.p65warnings.ca.gov. PN2017A

See page 460 for replacement parts.

REPLACEMENT BASKETS



Featured Highlights

Replacement Baskets for Skimmers and Pumps

- These superior quality replacements are injection molded of the best materials required for optimum performance
- Designed to fit the most popular skimmer wells and pump pots

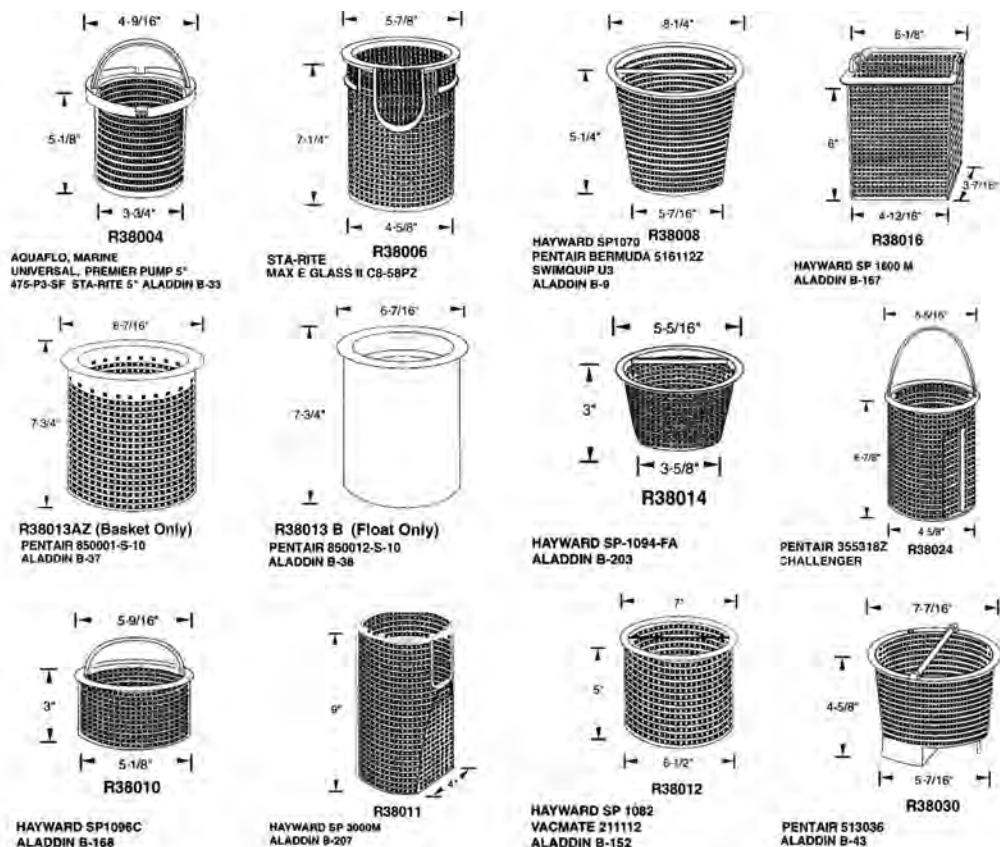
CALIFORNIA PROPOSITION 65 WARNING

⚠ **WARNING:** Cancer and Reproductive Harm.
 ⚠ **AVERTISSEMENT:** Peut Causer le Cancer et des Dommages au Système Reproducteur.
 ⚠ **ADVERTENCIA:** Cáncer y Daño Reproductivo.
www.p65warnings.ca.gov

Ordering Information

Product	Description	Carton Qty.
REPLACEMENT SKIMMER AND PUMP BASKETS		
R38004	Aquaflo, Marine, Universal, Premier Pump 5 in., 475-P3-SF, Sta-Rite 5 in., Aladdin B-33	1
R38006	Sta-Rite Max-E-Glas II C8-58PZ	1
R38008	Hayward® SP 1070, Pentair Aquatic Systems Bermuda 516112Z, Swimquip U3, Jacuzzi® 4138, Aladdin B-9	1
R38010	Hayward SP-1096C, Aladdin B-168	1
R38011	Hayward SP-3000M, Aladdin B-207	1
R38012	Hayward SP-1082, VacMate 211112, Aladdin B-152	1
R38013AZ	(Basket Only) Pentair Aquatic Systems 850001-S-10, Aladdin B-37	1
R38013B	(Float Only) Pentair Aquatic Systems 850012-S-10, Aladdin B-38	1
R38014	Hayward SP-1094-FA, Aladdin B-203	1
R38016	Hayward SP-1600M, Aladdin B-167	1
R38024	Pentair Aquatic Systems 355318Z Challenger	1
R38030	Pentair Aquatic Systems 513036, Aladdin B-43	1

Hayward® is a registered trademark of Hayward Industries, Inc. and Jacuzzi® is a registered trademark of Jacuzzi, Inc.



MAINTENANCE KITS

Featured Highlights

Maintenance Kits

- Pentair has a variety of standard kits with the most popular combinations requested by our customers. Each kit is packaged in an attractive box with a handle.



CALIFORNIA PROPOSITION 65 WARNING
 ⚠️ **WARNING:** Cancer and Reproductive Harm.
 ⚠️ **AVERTISSEMENT:** Peut Causer le Cancer et des Dommages au Système Reproducteur.
 ⚠️ **ADVERTENCIA:** Cáncer y Daño Reproductivo.
www.p65warnings.ca.gov PA 201514

Ordering Information

Product	VL/Gunite	Brush	Vacuum	Thermometer	Test Kit	Leaf Net/Leaf Rake	Pole/Hose Hanger	Discharge Hose	Qty.
SWIMMING POOL MAINTENANCE KITS									
R131016 ¹		912		125	752	119	145		3
R131020 ¹		912		125	754 For Canada	119	145		3
R131021 ²	VL	912VL	191LW	125	752	124S			1
R131037 ¹		902B		127	3-Way Strips	119	145		3
R131046 ¹		902		130	78HR	126	145		3
R131048 ¹	VL	912	194	127		119			3
R131066 ¹	VL	902	194	127	752	126			3
R131074 ¹	VL	912	193	127	752	124S			3
R131075 ¹	VL	912	196	127	752	124S			3
R131076 ¹	VL	912VL	193	127	752	124S			3
R131078 ¹	VL	912VL	196	127	752	124S			3
R131079 ¹	VL	912VL	194		752	119			3
R131106 ¹		902		127	754 For Canada	126	145/165		3
R131146 ¹		912		127	78HR	124S			3
R131147 ¹		902		130	78HR	119			3
R131148A ²		902		133	78HR	119			1
R131155 ¹	Gunite	902	203	133	78HR	123	145		3
R131204 ²		902		136	78DPD	124S	145		1
R131256A ²		903 Alt. ⁴		133	752	119			1
R131316 ²	VL	902	194	136	752	124S		1.5 in. x 50 ft.	1
R131360 ²	Gunite	902	188	127	78HR	119			1
R131371 ²	Gunite	902	203	127 and 133		126			1
R131388 ¹	Gunite	902	201		78HR	119			3
R131398 ²	VL	902	196	127		119			1
R131404 ¹	Gunite	902	203		78HR	124S			3
R131410 ³	Gunite	902	203	125	Test Strips	119	145		1
R131418 ¹	Gunite	912	203	136		119			3
R131442 ³	VL	902	196	127	752	123		1.5 in. x 50 ft.	1
R131448 ¹	Gunite	903 Alt. ⁴	203	Yes - Jumbo	5-Way Strips	124S			3

¹ Pentair kraft box style.

² Corrugated box style.

³ Corrugated white box style.

⁴ Brush model 903 has been replaced with an alternate direct replacement.

POLES



Featured Highlights

- **Telescopic Poles** are constructed of high quality drawn aluminum tubing. The 1-1/8 in. OD inside tube is clear anodized and the 1-1/4 in. OD outer tube is bright blue anodized. Each has a bicycle type vinyl hand grip and packed in a protective poly sleeve.
- **Fiberglass Poles** with E-Z Lock compression lock are manufactured to withstand abuse. Required for service pros in areas where protection from electrical shock is mandatory. UV protective coating helps prevent splintering with age.

CALIFORNIA PROPOSITION 65 WARNING

⚠ **WARNING:** Cancer and Reproductive Harm.
 ⚠ **AVERTISSEMENT:** Peut Causer le Cancer et des Dommages au Système Reproducteur.
 ⚠ **ADVERTENCIA:** Cáncer y Daño Reproductivo.
www.p65warnings.ca.gov

Ordering Information

Product	Model	Description	Carton Qty.	Carton Wt. (Lbs.)
POLES				
R191106	820-12	1 piece Straight clear anodized pole -12 ft. w/ pole cap	12	28
R191116	820-16	1 piece Straight clear anodized pole -16 ft. w/ pole cap	12	37
R500070	406-16	2 piece telescopic "ribbed" pole - E-Z lock Cam - 8 ft.-16 ft.	12	28
R500072	406-12	2 piece telescopic "ribbed" pole - E-Z lock Cam - 6 ft.-12 ft.	12	22
R191306	806-16	2 piece telescopic pole - E-Z lock Cam - 8 ft. to 15-1/2 ft., blue	12	35
R191046	812-16	2 piece telescopic pole - Metal Cam - 8 ft. to 15-1/2 ft.	12	36
R191066	812-8	2 piece telescopic pole - Metal Cam - 4 ft. to 7-1/2 ft.	12	21
R191088	806-24	Commercial Aluminum Pole - 12 ft. to 23-1/2 ft. E-Z Lock	12	52
R191090	812-24	Commercial Aluminum Pole - 12 ft. to 23-1/2 ft. Metal cam	12	52
R191091	808-12	Commercial Fiberglass Pole - 6 ft. to 12 ft.	6	20
R191092	808-16	Commercial Fiberglass Pole - 8 ft. to 16 ft.	6	25
R191095	818-12	Commercial Fiberglass Pole - Straight 12 ft. w/ pole cap	6	21
R191101	808-22	Commercial Fiberglass Pole - 11-1/2 ft. to 22 ft.	6	32
R191104	818-16	Commercial Fiberglass Pole - Straight 16 ft. w/ pole cap	3	38
R191380		3 piece telescopic pole - E-Z Lock device - 12 ft.-36 ft., aluminum	6	35

POLE ACCESSORIES

Featured Highlights

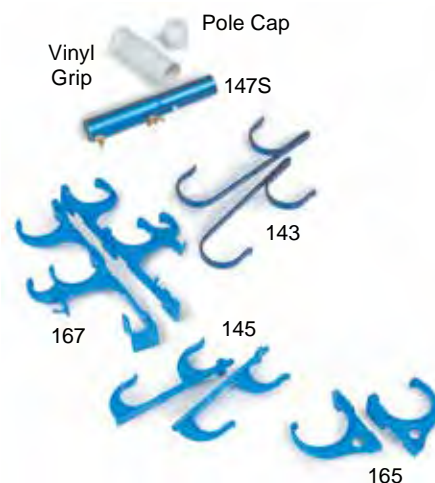
- **Algae-Gon Chlorine Tablet Holder** securely holds a standard tablet at the end of any pole to deliver direct surface application of chlorine to eliminate dark algae and other surface stains. Snap-adapt handle attaches to most poles.



Algae-Gon Tablet Holder



Cams



Pole Accessories

CALIFORNIA PROPOSITION 65 WARNING
 ⚠️ **WARNING:** Cancer and Reproductive Harm.
 ⚠️ **AVERTISSEMENT:** Peut Causer le Cancer et des Dommages au Système Reproducteur.
 ⚠️ **ADVERTENCIA:** Cáncer y Daño Reproductivo.
www.p65warnings.ca.gov P8 201514

Ordering Information

Product	Model	Description	Carton Qty.	Carton Wt. (Lbs.)
POLE ACCESSORIES				
R07023		Replacement tip tool adapter for fiberglass poles	1	
R22006	1125	Pole cap 1-1/8 in. poles	1	
R22007	900	Pole cap 1-1/4 in. poles	1	
R22025		White vinyl hand grip, 1 in.	1	
R22054		White vinyl hand grip, 1-1/8 in.	1	
R221036	145	Pole hangers, ABS with screws, 1 set per bubble pack card	24	5
R221042	143	Metal pole hangers, screws included, 1 set per bubble pack card	24	7
R221046	165	Hose hangers, ABS with screws 1 set per bubble pack card	24	8
R221054	167	Hose, pole, accessory hangers, large multi-purpose hangers hold vac hose, telepole, test kit, skimmer, brushes, etc., 1 set with screws per bubble pack card	12	12
542068		Algae-Gon chlorine tablet holder, snap-adapt handle attaches to telescopic pole	100	
R221126	147	Pool pole adapters, 3 pieces per set with 6 brass, 1/4 in. x 1-3/4 in. bolts and wing nuts, bubble pack	24	15
R221136	147S	Pool pole adapter, one piece with 2 sets of brass wing nuts and bolts, bubble pack	24	6
R221156	155	Brass bolt and wing nut	1	
R221166	155	Brass bolt and wing nut, 6 sets per bubble pack	12	
R191206	801	White ABS, assembled, 1-1/4 in. brass screw, cam fits most 1-1/8 in. OD drawn and welded tubing, sleeve fits 1-1/4 in. OD	1	
R191216	801	No. 801 Cam, bubble pack	12	
R191256	803	Metal cam die cast aluminum with white ABS sleeve, unassembled with 1/4-28 x 1 in. SS hex bolt, cam fits 1-1/8 in. OD drawn tubes, sleeve fits 1-1/4 in. OD, bubble pack	12	
R191296	806	E-Z Lock cam for aluminum poles, unassembled complete with glue and instructions, bubble pack	12	
R191302	807	E-Z Lock cam for fiberglass poles, unassembled complete with glue and instructions, bubble pack	12	

POOL & SPA SIGNS



Featured Highlights

Pool & Spa Signs

- Commercial quality pool and spa signs are constructed of weather-resistant, high impact plastic and finished with brass grommets for easy, secure hanging.

CALIFORNIA PROPOSITION 65 WARNING

⚠️ **WARNING:** Cancer and Reproductive Harm.
 ⚠️ **AVERTISSEMENT:** Peut Causer le Cancer et des Dommages au Système Reproducteur.
 ⚠️ **ADVERTENCIA:** Cáncer y Daño Reproductivo.
www.p65warnings.ca.gov

Ordering Information

Product	Description	Size	Ctn Qty.
POOL & SPA SIGNS			
R230200	Pool Rules (Calif.)	18 in. x 24 in.	6
R230300	Spa Rules	18 in. x 24 in.	6
R230400	Pool Rules	18 in. x 24 in.	6
R230500	No Lifeguard On Duty. (4 in. letters)	24 in. x 18 in.	6
R235100	No Lifeguard On Duty. (4 in. letters - Texas)	24 in. x 24 in.	6
200186	No Lifeguard On Duty. (4 in. letters - Georgia)	24 in. x 36 in.	6
R230800	Public Pool Use Notice	18 in. x 24 in.	6
R230900	Pool Capacity	18 in. x 12 in.	6
R231100	C.P.R.	24 in. x 18 in.	6
R231200	No Diving Allowed	18 in. x 12 in.	6
R231400	Pool Closed	12 in. x 6 in.	6
R231700	Emergency Phone No. 911	12 in. x 6 in.	6
R232600	No Glassware In Pool Area	9 in. x 12 in.	6
R233800	No Diving (South Carolina)	24 in. x 24 in.	6
R233900	Caution Spa Rules (South Carolina)	24 in. x 36 in.	6
R234000	Pool Rules (South Carolina)	24 in. x 36 in.	6
R234100	Pool Rules (North Carolina)	24 in. x 36 in.	6
R234200	SPA Rules (North Carolina)	24 in. x 36 in.	6
R234500	Water Conditions (Virginia)	12 in. x 9 in.	6
R234700	Danger Pool Closed	18 in. x 12 in.	6
R234800	Pool Rules (Florida)	24 in. x 42 in.	6
R234900	Spa Rules (Florida)	18 in. x 24 in.	6
R235200	Pool Risks (Georgia)	24 in. x 29.5 in.	6
R235300	No Lifeguard (South Carolina) 6 in. x 4 in. letters	36 in. x 24 in.	6
SPANISH POOL & SPA SIGNS			
R233700	(Reglamentos) Pool Rules	18 in. x 24 in.	6

Note: Sign images on the following two pages.

POOL & SPA SIGNS (CONT'D)



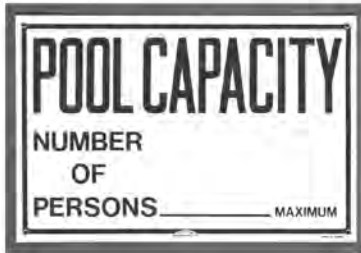
R230500 No Lifeguard On Duty
24 in. x 18 in.



R235100 No Lifeguard On Duty,
(Texas) 24 in. x 24 in.
(4 in. letters)



R230800 Public Pool
Use Notice 18 in. x 24 in.



R230900 Pool Capacity
18 in. x 12 in.



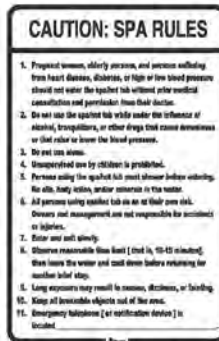
R231100 "C.P.R."
24 in. x 18 in.



R231200 No Diving
Allowed, 18 in. x 12 in.



R231700 Emergency
Phone No. 911, 12 in. x 6 in.



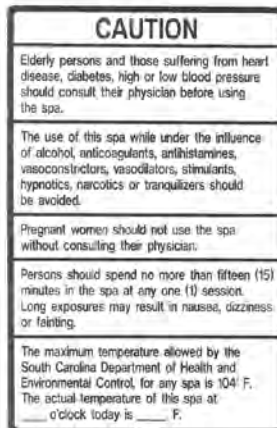
R234200 Caution Spa Rules
(N. Carolina) 24 in. x 36 in.



R232600 No Glassware
In Pool Area, 9 in. x 12 in.



R231400 Pool Closed
12 in. x 6 in.



R233900 Caution Spa Users
(S. Carolina), 24 in. x 36 in.



R233800 No Diving
(S. Carolina) 24 in. x 24 in.



R234000 Pool Rules
(S. Carolina), 24 in. x 36 in.

POOL & SPA SIGNS (CONT'D)



R234100 Pool Rules
(N. Carolina), 24 in. x 36 in.



R230200 Pool Rules
(Calif.) 18 in. x 24 in.



R230300 Spa Rules
18 in. x 24 in.



R234700 Danger
Pool Closed 18 in. x 12 in.



R235200 Pool Risks
Georgia, 24 in. x 29.5 in.



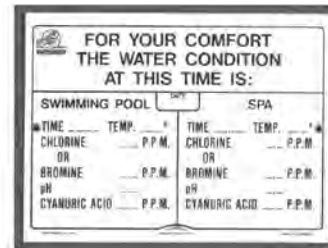
R234900 Spa Rules
(Florida), 18 in. x 25 in.



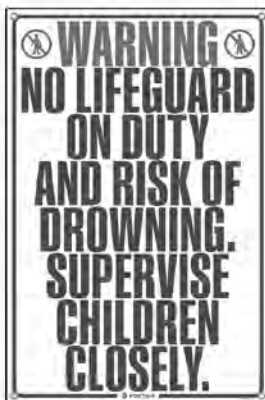
R234800 Pool Rules
(Florida), 24 in. x 50 in.



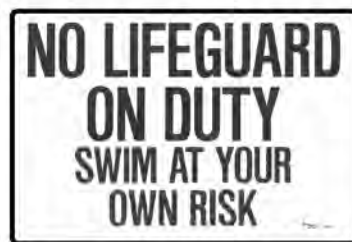
R230400 Pool Rules
18 in. x 24 in.



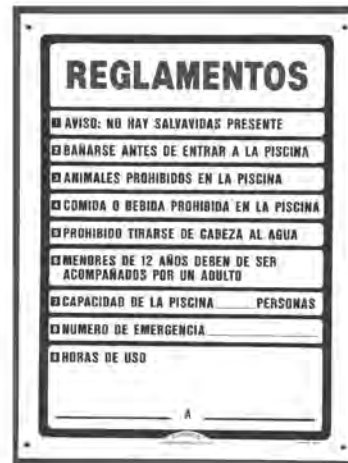
R234500 Water Conditions
(Virginia), 12 in. x 9 in.



200186 No Lifeguard On Duty
(Georgia), 24 in. x 36 in.
(4 in. letters)



R235300 No Lifeguard
(S. Carolina), 36 in. x 24 in.
(6 in. x 4 in. letters)



R233700 Reglamentos
(Pool Rules), 18 in. x 24 in.

TEST KITS

DPD, BROMINE, PH & CHLORINE TEST KITS

Featured Highlights

Pentair testing kits and chemicals are manufactured under the strictest quality control standards in a laboratory staffed by certified chemists where all Test Solutions are formulated and packaged. To guarantee reliability, test reagents should be replaced annually. Replacement and bulk reagents are available in a variety of sizes and packaging.

CALIFORNIA PROPOSITION 65 WARNING

⚠️ **WARNING:** Cancer and Reproductive Harm.
 ⚠️ **AVERTISSEMENT:** Peut Causer le Cancer et des Dommages au Système Reproducteur.
 ⚠️ **ADVERTENCIA:** Cáncer y Daño Reproductivo.
www.p65warnings.ca.gov



752DPD/pH



77DPD



752



78HR



756



Bulk Reagents



78DPD



78DPD+

Ordering Information

Product	Model	Description	Carton Qty.	Carton Wt. (Lbs.)
BROMINE TEST KITS				
R151196	756	"2 n 1" Bromine test kit, 1/2 oz. OTO and pH, Br range 0.5–6.5, yellow hinged case, packed 12 kits per counter display	24	10
R151201	756	"2 n 1" Bromine test kit, 1/2 oz. OTO and pH, Br range 0.5–6.5, yellow hinged case, packed 12 kits per counter display, for Canada	24	10
DPD TEST KITS				
R151190	77DPD	4 in 1 Chlorine/Bromine test kit. DPD No. 1 and No. 3 tablets, solutions No. 2, No. 3, No. 4, No. 5, wide Lucite test cell	12	16
R151246	78DPD	"All-in-One" test kit, free, total and combined Cl, pH, acid demand and total Alkalinity, Lucite test cell, 50 each DPD No. 1 and No. 3 tabs, 1 oz. No. 2, No. 3, 1/2 oz. No. 4, No. 5, water test booklet, red display box	12	17
R151248	78DPD+	"All-in-One" plus test kit, for servicemen or homeowners, free, total and combined Cl, Cyanuric Acid, pH, Acid Demand, Alkali Demand and Total Alkalinity, Lucite test cell, 50 each DPD No. 1 and No. 3 tablets, 10 Cyanuric acid tablets, 1 oz. No. 2, No. 3, 1/2 oz. No. 3B, No. 4, No. 5, water test booklet, red display box	12	18
200063	752DPD/PH	Free chlorine and pH analyzer test kit. DPD and pH tablets, 30 tablets each.	12	5
pH & CHLORINE TEST KITS				
R151076	752	"2 n 1" Test Kit 1/2 oz. OTO and Pre-Blended pH, Cl range 0.3–3.0, blue hinged case, packed 12 Kits per counter dispenser	24	10
R151082	752	"2 n 1" Test Kit 1/2 oz. OTO and Pre-Blended pH, Cl range 0.3–3.0, blue hinged case, packed 12 Kits per counter dispenser, for Canada	24	10
R151083	752	"2 n 1" Test Kit 1/2 oz. OTO and Pre-Blended pH, Cl range 0.3–3.0, blue hinged case, packed 12 Kits per counter dispenser, bubble pack, with Spanish instructions	24	10
R151186	78HR	"All-in-One" 4 Way Test Kit, Cl, pH, Acid Demand, Total Alkalinity, Lucite test cell with wide standards, 1 oz. No. 1, No. 2, No. 3, 1/2 oz. No. 4, No. 5, water test booklet, blue display box	12	16

Note: Products containing OTO not available in the State of California.

Note: Air shipment of OTO solution and kits containing OTO solution is prohibited.

TEST REAGENTS

CALIFORNIA PROPOSITION 65 WARNING

⚠️ **WARNING:** Cancer and Reproductive Harm.
 ⚠️ **AVERTISSEMENT:** Peut Causer le Cancer et des Dommages au Système Reproducteur.
 ⚠️ **ADVERTENCIA:** Cáncer y Daño Reproductivo.
www.p65warnings.ca.gov

Ordering Information

Product	Description	Carton Qty.	Carton Wt. (Lbs.)
CYANURIC ACID REAGENT			
R161596	Cyanuric Acid Reagent, 8 ounce	24	15
R161606	Cyanuric Acid Reagent, 16 ounce	12	15
R161616	Cyanuric Acid Reagent, 32 ounce	12	28
R161626	Cyanuric Acid Reagent, 1 gallon	4	36
DPD TABLETS			
R161576	DPD No. 1 tablets, rapid dissolve	1000	1
R161586	DPD No. 3 tablets, rapid dissolve	1000	1
R161590	Phenol red tablets, rapid dissolve	1000	1
R161591	Cyanuric acid tablets	1000	1
R161676	Cyanuric acid tablets, 20 per bubble pack	12	2
R161593	DPD No. 1 tablets, 50 per bubble pack	12	2
R161599	DPD No. 3 tablets, 50 per bubble pack	12	2
R161594	Phenol red tablets, 50 per bubble pack	12	2
OTO AND pH SOLUTIONS (BUBBLE PACK)			
R161150	1/2 ounce	24	4
R161160	1 ounce	24	6
R161216	Refill No. 78, test kit, bubble pack	24	11
R161666	Refill No. 78 DPD, test kit, bubble pack	24	13
SOLUTIONS			
R161004	OTO Solution No. 1, 1/2 ounce, used in No. 782, No. 783 ¹	48	3
R161025	OTO Solution No. 1, 1 ounce ¹	48	6
R161046	OTO Solution No. 1, 8 ounce ¹	24	16
R161056	OTO Solution No. 1, 16 ounce ¹	12	15
R161018	pH Solution Phenol Red with Chlorine Neutralizer, 1/2 ounce, used in No. 761, No. 782, No. 783	48	3
R161094	pH Solution Phenol Red with Chlorine Neutralizer, 1 ounce	48	6
R161116	pH Solution Phenol Red with Chlorine Neutralizer, 8 ounce	24	15
R161126	pH Solution Phenol Red with Chlorine Neutralizer, 16 ounce	12	15
R161178	No. 2 (pH Test), 1 ounce ²	48	6
R161180	No. 2 (pH Test), 1 ounce, used in No. 78 and No. 7000 Series, PRO 11, display box ²	24	3
R161286	No. 2 (pH Test), 8 ounce ²	24	16
R161182	No. 3 (Acid Demand, Total Alkalinity), 1 ounce, used in No. 78 and No. 7000 Series, No. 1300, PRO 11, 12 pack display box ³	24	31
R161185	No. 3 (Acid Demand, Total Alkalinity), 1 ounce, used in No. 78 and No. 7000 Series, No. 1300, PRO 11 ³	48	6
R161302	No. 3 (Acid Demand, Total Alkalinity), 1/2 ounce, used in No. 761, No. 782, No. 783 ³	48	3
R161200	No. 3B (Alkali Base Demand), 1/2 ounce, used in No. 78+, No. 7600, No. 7700DPD	48	3
R161202	No. 3B (Alkali Base Demand), 1 ounce, used in No. 78DPD+, PRO 11	48	6
R161204	No. 4 (Chlorine Neutralizer), 1/2 ounce, used in No. 78+, No. 7000 Series, No. 1300, PRO 11, No. 761, No. 782, No. 783 ⁵	48	3
R161203	No. 5 (Total Alkalinity Test), 1/2 ounce, used in No. 78+, No. 7000 Series, No. 1300, PRO 11, No. 761, No. 782, No. 783 ⁴	48	3
R161634	No. 6 (Water Hardness Test), 1/2 ounce. Used in No. 761, No. 782, No. 783, No. 1200, PRO II	48	3
R161642	No. 7 (Water Hardness), 1/2 ounce. Used in No. 761, No. 782, No. 783	48	3
R161644	No. 7 (Water Hardness), 1 ounce. Used in No. 1200, PRO II	48	6

¹ Replaces Solution "A"

³ Replaces Solution "C"

⁵ Replaces Solution "1"

⁶ "pH Solution" or "Phenol Red" formulated by Pentair contains chlorine

² Replaces Solution "B"

⁴ Replaces Solution "D"

⁵ Replaces Solution "4"

Note: Products containing OTO not available in the State of California.

Note: Air shipment of OTO solution and kits containing OTO solution is prohibited.

WATER HARDNESS/SPECIALTY TEST KITS

Featured Highlights

Professionals Pro 11 Test Lab

- Complete 11 test lab designed for service professionals. Free, Total and Combined Cl, Br, Iodine, pH, Acid Demand, Total Alkalinity, Water Hardness and Cyanuric Acid. Handy red tote box contains complete instructions, solutions and tests. Pro-Design Test Cell features Cl range to 10ppm and meets recommended industry standards.



PRO11

CALIFORNIA PROPOSITION 65 WARNING

⚠ **WARNING:** Cancer and Reproductive Harm.
 ⚠ **AVERTISSEMENT:** Peut Causer le Cancer et des Dommages au Système Reproducteur.
 ⚠ **ADVERTENCIA:** Cáncer y Daño Reproductivo.
www.p65warnings.ca.gov

Ordering Information

Product	Model	Description	Carton Qty.	Carton Wt. (Lbs.)
CYANURIC ACID TEST KITS				
R151226	79	Determine parts per million of Cyanuric Acid, test vial designed for positive readout, 8 oz. reagent, instructions in Styrene box with clear top	6	8
PRO 11 MINI LAB				
R151716	PRO 11	Professional Test Lab	6	13
TOTAL ALKALINITY TEST KITS				
R151306	1300	Indicates ppm of alkalinity, test vial, 1 oz. No. 3, 1/2 oz. No. 4, No. 5, blue compact box with instructions	24	12
WATER HARDNESS TEST KITS				
R151276	1200	Total Water Hardness Test Kit, total Hardness in ppm or grains, test vial, 1/2 oz. No. 6, 1 oz. No. 7 and instructions, compact box	24	11



Water Hardness/Specialty Test Kits

RAPID TEST STRIPS AND DIGITAL SALT TESTER



QuickTest™ Salt Tracer Kit

Featured Highlights

- **Rapid Test Strips** - Dip...swirl...and read instantly. No waiting.
- **3-Way Strip Tests for Free Chlorine or Bromine, pH, and Alkalinity**
50 Rapid Tests per bottle
- **5-Way Strip Tests for Free Chlorine or Bromine, Total Chlorine, pH, Alkalinity and Total Hardness**
50 Rapid Tests per bottle
- **Salt Strips (Sodium Chloride)**
10 Tests per bottle - Range 1500–5000 ppm

CALIFORNIA PROPOSITION 65 WARNING

⚠ **WARNING:** Cancer and Reproductive Harm.
 ⚠ **AVERTISSEMENT:** Peut Causer le Cancer et des Dommages au Système Reproducteur.
 ⚠ **ADVERTENCIA:** Cáncer y Daño Reproductivo.
www.p65warnings.ca.gov

Ordering Information

Product	Description	Carton Qty.	Carton Wt. (Lbs.)
RAPID TEST STRIPS			
R161566	3 Way, French, Spanish, English, with display box	12	2
R161568	5 Way, French, Spanish, English, Blister Card with display box	12	3
200060	Salt Strips (Sodium Chloride), English, Spanish, Blister Card with display box	12	2
DIGITAL SALT TRACER			
200064	QuickTest Salt Tracer Kit, includes handheld meter, 50 phosphate test strips, water sample cup, 2 vials of conductivity standard test solutions, carrying case	1	3
200065	Replacement Phosphate Test Strips, Clamshell – 50 strips/pack WHT	6	2
200066	Replacement QuickTest Calibration Solution	12	1.5



Rapid Test Strips

THERMOMETERS

Featured Highlights

High-quality pool and spa thermometers help deliver accurate temperature readings for greater enjoyment of recreational water. Pool thermometers also provide crucial information about the performance of pool heating systems.



Thermometers

CALIFORNIA PROPOSITION 65 WARNING

⚠️ **WARNING:** Cancer and Reproductive Harm.
 ⚠️ **AVERTISSEMENT:** Peut Causer le Cancer et des Dommages au Système Reproducteur.
 ⚠️ **ADVERTENCIA:** Cáncer y Daño Reproductivo.

www.p65warnings.ca.gov P65-2015-14

Ordering Information

Product	Model	Description	Carton Qty.	Carton Wt. (Lbs.)
THERMOMETERS				
R141036	127	Tube thermometer, ABS case, 3 ft. cord, bubble pack	24	4
R141046	127	Tube thermometer, bulk pack	48	6
R141076	130	Chrome brass thermometer, blown glass tube secured in brass tubing, 3 ft. cord, bubble pack	24	6
R141086	130	Chrome brass thermometer, bulk pack	48	9
R141106	133	Floating thermometer, ABS tube, flotation cap with color label, bubble pack	24	6
R141200	136	E-Z read combo sink or float thermometer ABS with shatterproof magnifying lens, snap-on/off flotation top, 3 ft. leash w/ anchor plate, hanging or standing clam shell pack	24	8
R221270		Floating accessory leash, prevents floating thermometers from hanging up or drifting away, 3 ft. cord and anchor plate with pad to adhere to most surfaces	24	1



Floating Accessory Leash – prevents items such as a floating chlorinators or thermometers from hanging up or drifting away. Three foot cord and anchor plate with pad to adhere to most surfaces.

VINYL LINER POOL VACUUMS



Featured Highlights

191 Economy Vacuum

- Crescent shaped blue ABS with polypropylene bristles. Has snap-adapt handle and fits 1-1/4 in. or 1-1/2 in. vacuum hose.

193 Vinyl Liner Vacuum

- Oval shaped blue ABS with protective vinyl bumper. Ideal for vinyl liner pools or use on new plaster pools. Replaceable brushes, enclosed lead weights and snap-adapt handle. Fits 1-1/4 in. or 1-1/2 in. vacuum hose.

194 Econo Triangular Vacuum

- Sand weighted ABS body with replaceable brushes and snap-adapt handle. Fits 1-1/4 in. or 1-1/2 in. vacuum hose.

196 Clear View Vacuum

- Triangular shaped, weighted "see-thru" design. Features 2 piece 1-1/4 in. 1-1/2 in. vacuum hose swivel connection which allows hose to move freely without twisting. Cleans corners easily with protective vinyl bumper. Snap-adapt handle and replaceable adjustable brushes.

CALIFORNIA PROPOSITION 65 WARNING

⚠ **WARNING:** Cancer and Reproductive Harm.
 ⚠ **AVERTISSEMENT:** Peut Causer le Cancer et des Dommages au Système Reproducteur.
 ⚠ **ADVERTENCIA:** Cáncer y Daño Reproductivo.
www.p65warnings.ca.gov

Ordering Information

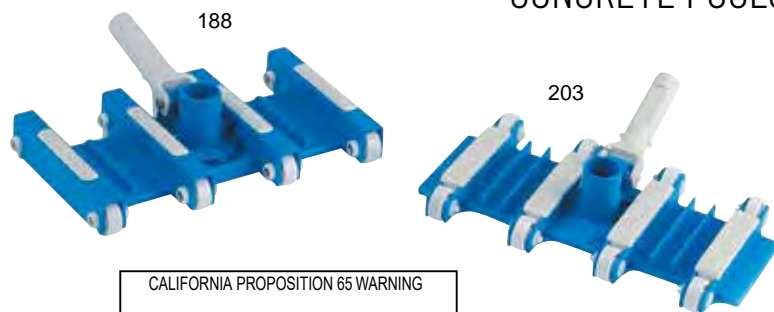
Product	Model	Description	Carton Qty.	Carton Wt. (Lbs.)
VINYL LINER POOL VACUUMS				
R201108	191	Economy vacuum, 191SW with lead weights	12	21
R201350	193	Vinyl liner vacuum, clam shell display pack	6	21
R201392	194	Econo triangular vacuum, clam shell display pack	6	26
R201398	196	Clearview vacuum, clam shell display pack	6	28

Note: All items with snap-adapt handle include a High Performance Acetal Resin spring and will snap into all standard poles or can be bolted on if preferred simply by removing Acetal Resin spring.

See page 461 for replacement parts.

FLEXIBLE POOL VACUUMS

CONCRETE POOLS



CALIFORNIA PROPOSITION 65 WARNING
 ⚠ **WARNING:** Cancer and Reproductive Harm.
 ⚠ **AVERTISSEMENT:** Peut Causer le Cancer et des Dommages au Système Reproducteur.
 ⚠ **ADVERTENCIA:** Cáncer y Daño Reproductivo.
www.p65warnings.ca.gov

Featured Highlights

188 Flexible Pool Vacuum

- Rugged polyethylene housing with enclosed weights. Adjustable solid molded wheels with stainless steel fasteners. Snap-adapt handle.

203 Superflex 14 in. Flexible Pool Vacuum

- Has factory set replaceable molded wheels and fasteners. Includes covered weights and snap-adapt handle with stainless steel wall-hugging spring device.

Ordering Information

Product	Model	Description	Carton Qty.	Carton Wt. (Lbs.)
FLEXIBLE POOL VACUUMS				
R201112	188	12 in. flexible vacuum, clam shell display pack	6	35
R201388	203	Superflex 14 in. flexible vacuum, clam shell display pack	6	25

PROVAC®

FLEXIBLE COMMERCIAL VACUUMS

Featured Highlights

ProVac Residential & Commercial Vacuums

- The ProVac vacuum cleans a pool bottom in half the time
- Suction chamber concentrates vacuum velocity equally
- Full width flex strips guide debris into the suction chamber
- All wheels are adjustable to increase or decrease the vacuum velocity
- Includes 1-1/2 in. vac hose swivel connection

241 Super ProVac Vacuum

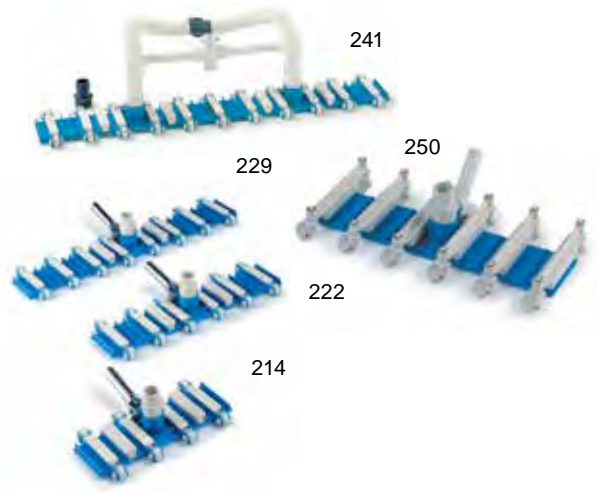
- Increased speed in cleaning large commercial pools

241 Super ProVac Vacuum (cont'd)

- 41 in. wide, dual port vacuum
- 22 ball bearing polyurethane wheels
- Includes adapters for 1-1/2 in. and 2 in. vacuum hose

250 Swivel Wheel 19 in. Commercial Flexible Vacuum

- ABS and polyethylene wheels with 6 lead weights swivel in any direction
- 19 in. body has 1-1/2 in. vacuum swivel adapter which allows hose to move freely without twisting. 2 in. hose fits directly on vacuum.
- Has snap-adapt handle and all component parts are replaceable



Ordering Information

Product	Model	Description	Carton Qty.	Carton Wt. (Lbs.)
241 SUPER PROVAC				
R201298	241	Super ProVac Vacuum, 22 ball bearing polyurethane wheels, suction chamber, strategic weighting and dual manifold with handle joining assembly, includes adapters for 1-1/2 in. and 2 in. vacuum hose, boxed	1	21
250 COMMERCIAL FLEXIBLE VACUUM				
R201126	250	Swivel wheel 19 in., boxed	4	37
PROVAC SERIES RESIDENTIAL & COMMERCIAL VACUUMS				
R201276	214	14 in. Commercial model, metal swivel handle, ball bearing wheels, SS nut and bolt, boxed	6	46
R201286	222	22 in. Commercial model, metal swivel handle, ball bearing wheels, stainless steel shaft, boxed	1	9
R201296	229	29 in. Commercial model, metal swivel handle, ball bearing wheels, stainless steel shaft, boxed	1	11

Note: Refer to price list for vacuum replacement items such as handles, pins, hardware, wheels, axle assemblies, High Performance Acetal Resin clips and brushes.

CALIFORNIA PROPOSITION 65 WARNING

▲ **WARNING:** Cancer and Reproductive Harm.
▲ **AVERTISSEMENT:** Peut Causer le Cancer et des Dommages au Système Reproducteur.
▲ **ADVERTENCIA:** Cáncer y Daño Reproductivo.

www.p65warnings.ca.gov
PW.201714

MINI VAC™ / VAC-MATE® VACUUM/SKIMMER



204

Mini Vac Display Box

CALIFORNIA PROPOSITION 65 WARNING

⚠ **WARNING:** Cancer and Reproductive Harm.
 ⚠ **AVERTISSEMENT:** Peut Causer le Cancer et des Dommages au Système Reproducteur.
 ⚠ **ADVERTENCIA:** Cáncer y Daño Reproductivo.
www.p65warnings.ca.gov PN201718A

Featured Highlights

Mini Vac Vacuum

Cleans spas, above ground pools, ponds, fountains and spot cleans large pools

- Designed for use with a garden hose or 1-1/4 in. or 1-1/2 in. vacuum hose
- Mini Vac Vacuum comes complete with silt bag, hose adapter, shut-off valve for garden hose use and snap-adapt handle for attaching PVC or telescopic poles
- Includes brush attachment for use on vinyl, fiberglass or smooth plaster surfaces and a nozzle attachment with wheel for use on rougher surfaces or spot cleaning large pools

Vac-Mate Vacuum/Skimmer

- A multi-function vacuum/skimmer attachment. The addition of a Vac-Mate Vacuum/Skimmer in most skimmers allows you to control a suction cleaner while maximizing surface skimming, all with one simple setting of the control handle.
- Skims pool surface continuously while cleaner is operating
- Traps debris in Vac-Mate Vacuum/Skimmer basket before it reaches pump pot
- Replaces most control mechanisms supplied with pool cleaners
- Makes any suction type pool cleaner and wall skimmer fully automatic

Ordering Information

Product	Model	Description	Carton Qty.	Carton Wt. (Lbs.)
MINIVAC VACUUM				
R191128	666H	PVC handle, 1-1/4 in. x 6 ft.	12	13
R201146	204	Mini Vac Vacuum, display box.	12	15
R201156	204	Mini Vac Vacuum, bubble pack card	12	16
R201716	204	Silt socks, 3 per bubble pack	12	2
R201718	204	Replacement bags, 2 per bubble pack	12	2
VAC-MATE VACUUM/SKIMMER				
R211100		Fits Pentair products 506300 Series and SwimQuip U3.	6	21



VAC-MATE



R211100

See pages 461 and 465 for replacement parts.

MISCELLANEOUS ACCESSORIES

Featured Highlights

Ladder Bumper

- Inner/outer design with pliable starter plug. Molded of medium density PVC. Fits standard 1.900 O.D. S.S. tubing.
- Protects pool wall from open end of tubular ladders

Silicone Lubricant

- For use on rubber seals, gaskets and o-rings in contact with plastics and metals. Recommended for use on filters, pumps, chlorinators and valves where corrosion occurs.



CALIFORNIA PROPOSITION 65 WARNING
 ⚠️ **WARNING:** Cancer and Reproductive Harm.
 ⚠️ **AVERTISSEMENT:** Peut Causer le Cancer et des Dommages au Système Reproducteur.
 ⚠️ **ADVERTENCIA:** Cáncer y Daño Reproductivo.
www.p65warnings.ca.gov PK22071A

Ordering Information

Product	Model	Description	Carton Qty.	Carton Wt. (Lbs.)
DISCHARGE HOSES				
R221218		1-1/2 in. x 50 ft. with stainless steel clamp, display box	1	4
R221220		2 in. x 50 ft. with stainless steel clamp, display box	1	6
R221222		1-1/2 in. x 200 ft., display box	1	18
R221224		2 in. x 200 ft., display box	1	20
R221400		1-1/2 in. x 35 ft., display box	1	3
LADDER BUMPER				
R221298		Ladder Bumper, Bulk pack, fits std 1.900 O.D. S.S. tubing	288	49
R221300		Ladder Bumper, Bubble pack (2 per card), fits std 1.900 O.D. S.S. tubing	1	
SILICONE LUBRICANT				
R172036Z		3/4 ounce	1	
R172351		3/4 ounce, in counter display	30	3
MISCELLANEOUS ACCESSORIES				
R22010Z	850	Winterizing plug, 1-1/2 in. pipe thread, polyurethane	1	
R22011	852	Winterizing plug, 2 in. pipe thread, polyurethane	1	
LEAK DETECTOR				
R220006	151	Device attaches to telepole or 1-1/4 in. pole, includes red dye solution which follows leaks, can also be used to spot treat algae, rust etc., 1/2 oz. leak detector solution, 1/2 oz. bottle, complete instructions, bubble packed	12	6
R220008		Leak detector replacement solution, 3/4 oz.	1	

AQUATRAM® POOL ACCESS LIFTS

ADA-COMPLIANT COMMERCIAL POOL LIFTS



Featured Highlights

- All AquaTRAM lifts comply with ADA Guidelines
- Dual flip-up arm rests provide easy and safe access
- Rechargeable battery-powered operation for easy use
- Comfortable seat with adjustable lap belt
- Simple-to-operate controls provide easy access in and out of pool
- Stainless steel with corrosion-resistant powder coated finish
- Lifting capacities up to 500 pounds

New ADA Regulations mandate that most types of commercial swimming pools must have ADA-compliant pool lifts or other approved means of access installed. AquaTRAM pool access lifts provide, safe, easy swimming pool access for swimmers with physical disabilities. With four versions to choose from, there is an AquaTRAM lift that fits every pool and budget. Standard features include simple to operate controls, rechargeable battery-powered operation and lifting capacities of up to 500 pounds.

CALIFORNIA PROPOSITION 65 WARNING

⚠ **WARNING:** Cancer and Reproductive Harm.
 ⚠ **AVERTISSEMENT:** Peut Causer le Cancer et des Dommages au Système Reproducteur.
 ⚠ **ADVERTENCIA:** Cáncer y Daño Reproductivo.
www.p65warnings.ca.gov

Ordering Information

Product	Model	Carton Qty.	Carton Wt. (Lbs.)
AQUATRAM 90			
11220	AquaTRAM 90 Lift with Quickset Dual Wedge Anchor	1	245
11220-A	AquaTRAM 90 Lift without Quickset Dual Wedge Anchor	1	235
11221	AquaTRAM 90 with Round Anchor	1	165
11221-A	AquaTRAM 90 Lift without Round Anchor	1	155
AQUATRAM			
11200	AquaTRAM Lift with Anchor	1	200
11200-A	AquaTRAM Lift without Anchor	1	190
11201	AquaTRAM Lift with Anchor-Left facing	1	200
11201-A	AquaTRAM Lift without Anchor-Left facing	1	190
AQUATRAM LT			
11230	AquaTRAM LT Lift with Anchor Kit	1	200
11230-A	AquaTRAM LT Lift without Anchor Kit	1	190
AQUATRAM 360			
11250	AquaTRAM 360 Lift with Anchor	1	335
11250-A	AquaTRAM 360 Lift without Anchor	1	325
AQUATRAM PT			
11280	AquaTRAM PT Portable Lift	1	425

*Includes cover, headrest, chest strap and extra integrated battery/control box unit.

Note: For best efficiency please fax your purchase orders directly to 845-463-7291 or email: paragoncustserv@pentair.com.

Note: Not every lift will work for every application and pool profile. For example, the AquaTRAM and AquaTRAM LT lifts are not designed to clear high curbs or walls. To ensure that you are selecting an appropriate lift for your facility, please refer to our AquaTRAM verification guides or contact customer service for additional applications assistance. AquaTRAM verification guides are available on our website at www.pentaircommercial.com.

For information about AquaTRAM lift accessories, please contact your Pentair Aquatic Systems Representative.

AquaTRAM products may have extended lead-times and cannot be combined with any Pentair Aquatic Systems freight programs..

AQUATRAM® POOL ACCESS LIFTS

POOL LIFT ACCESSORIES

Features and Benefits	AquaTRAM 90	AquaTRAM 360 Lift with in-deck tool-free anchoring	AquaTRAM Lift with in-deck tool-free anchoring
Lifting capacity	300 lbs.	500 lbs.	400 lbs.
ADA Compliant	.	√	√
Rotation for tight-area access	90° right or left	360°	
Boom arm design adapts to the most demanding and specialized applications; superb reach and wall clearance	√	√	
Can serve 2 adjoining pools with 1 lift		√	
Low profile design uses minimal deck space	√		√
22" wide seat standard		√	
Compact and lightweight, fits through most doorways	√		√
Secure in-deck anchoring with patented design; tool-free removal; portable with optional Transport Cart	√ Using Dual Wedge Anchor		√
Secure Docking Bar included to secure in place per ADA requirement			
Lag bolt anchoring, quick removal with tools; portable with optional Transport Cart			
Dual flip-up armrests for easier access and safer transfers	√	√	√
Adjustable & removable footrest fits users across a wide range of sizes	√	√	√
Adjustable lap belt with hook & eye fastening	√	√	√
Easy-to-use Slim Line controls can be operated from seat or pool ledge	√	√	√
Stainless steel construction, durable powder-coat finish	√	√	√
Battery-operated; easier to install & smoother transport than water power	√	√	√
Slim, one-piece 24v rechargeable battery	√	√	√
Submersible remote	√	√	√
5-year Limited Warranty (pro-rated after Year 2 on electronics)		√	√
Lifetime Limited Warranty on frame		√	√
2-year Limited Warranty	√		

Features and Benefits	AquaTRAM LT Lift with Lag-bolt anchoring	AquaTRAM PT
Lifting capacity	350 lbs.	350 lbs.
ADA Compliant	√	√
Rotation for tight-area access		
Boom arm design adapts to the most demanding and specialized applications; superb reach and wall clearance		
Can serve 2 adjoining pools with 1 lift		
Low profile design uses minimal deck space	√	√
22" wide seat standard		
Compact and lightweight, fits through most doorways	√	√
Secure in-deck anchoring with patented design; tool-free removal; portable with optional Transport Cart		
Secure Docking Bar included to secure in place per ADA requirement		√
Lag bolt anchoring, quick removal with tools; portable with optional Transport Cart	√	
Dual flip-up armrests for easier access and safer transfers	√	√
Adjustable & removable footrest fits users across a wide range of sizes	√	√
Adjustable lap belt with hook & eye fastening	√	√
Easy-to-use Slim Line controls can be operated from seat or pool ledge	√	√
Stainless steel construction, durable powder-coat finish	√	√
Battery-operated; easier to install & smoother transport than water power	√	√
Slim, one-piece 24v rechargeable battery	√	√
Submersible remote	√	√
5-year Limited Warranty (pro-rated after Year 2 on electronics)		
Lifetime Limited Warranty on frame		
2-year Limited Warranty	√	√

AQUATRAM® POOL ACCESS LIFTS

POOL LIFT ACCESSORIES (CONT'D)

AquaTRAM LT Lift and Anchor	
Pentair P/N	Description
11230	AquaTRAM LT Lift w/ Anchor Kit
11230-A	AquaTRAM LT Lift Less Anchor Kit
11231	AquaTRAM LT Anchor Kit only
11232	AquaTRAM LT Transport Cart
11204	AquaTRAM Protective Cover
11205	Adjustable Headrest, AquaTRAM only
11270	AquaTRAM Replacement Hand Control
11271	AquaTRAM Replacement Control Box (LINAk)
11278	AquaTRAM Replacement Control Box (VITO)
11273	AquaTRAM Replacement Actuator Cover
11276	Actuator (order with 11302)
11303	Actuator Frame and Bracket LT (VITO)

AquaTRAM Lift and Anchor	
Pentair P/N	Description
11200	AquaTRAM Lift w/ Anchor
11200-A	AquaTRAM Lift without Anchor
11201	AquaTRAM Lift w/ Anchor - Left facing
11201-A	AquaTRAM Lift without Anchor - Left facing
11202	QuickSet Dual Wedge Anchor for AquaTRAM Lift
11203	AquaTRAM Transport Cart
11276	Actuator (order with 11302)
11302	AquaTRAM Replacement Actuator Frame
11204	AquaTRAM Protective Cover
11205	Adjustable Headrest, AquaTRAM Only
11270	AquaTRAM Replacement Hand Control
11271	AquaTRAM Replacement Control Box
11273	AquaTRAM Replacement Actuator Cover

AquaTRAM Series SHARED Options & Accessories	
Pentair P/N	Description
11206	AquaTRAM Adjustable Chest Strap
11208	AquaTRAM Pull-out Leg rest
11211	AquaTRAM Replacement Battery (LINAk)
11277	AquaTRAM Replacement Charger (LINAk)
11212	AquaTRAM Replacement Battery (VITO)
11279	AquaTRAM Replacement Charger (VITO)
11213	AquaTRAM Replacement Footrest
11207	AquaTRAM Cycle Attachment
11305	AquaTRAM Replacement Seat w/ Arms
11215	AquaTRAM Replacement Seat Belt
11306	AquaTRAM Foot Rest

AquaTRAM 90 Lift	
Pentair P/N	Description
11220	AquaTRAM 90 Lift w/ Quickset Dual Wedge Anchor
11220-A	AquaTRAM 90 Lift w/o Quickset Dual Wedge Anchor
11221	AquaTRAM 90 Lift for Round Anchor Post w/Anchor
11221-A	AquaTRAM 90 Lift for Round Anchor w/o Anchor
11222	AquaTRAM 90 Lift Cover
11224	AquaTRAM 90 Lift Transport Cart
11226	AquaTRAM 90 Anchor for Round Post Model
11202	AquaTRAM 90 Anchor for Square Post Anchor
11240	2-1/2"OD x 1.95"ID Anchor Adapter Sleeve
11241	2-3/8"OD x 1.95"ID Anchor Adapter Sleeve
11242	2-5/8"OD x 1.95"ID Anchor Adapter Sleeve
11243	Round Anchor for Wood Framed Deck

AquaTRAM PT Lift	
Pentair P/N	Description
11280	AquaTRAM PT Lift w/ Sand Ballast (sand not incl.)
11280-C	AquaTRAM PT Lift w/ Concrete Ballast (concrete incl.)
11285	AquaTRAM PT Cover, Blue
11287	AquaTRAM PT Accessory Upgrade Kit
11289	Affixment Kit (contains docking bar and anchor)
11276	Actuator (order with 11301)
11301	Actuator Frame and Bracket PT (VITO)

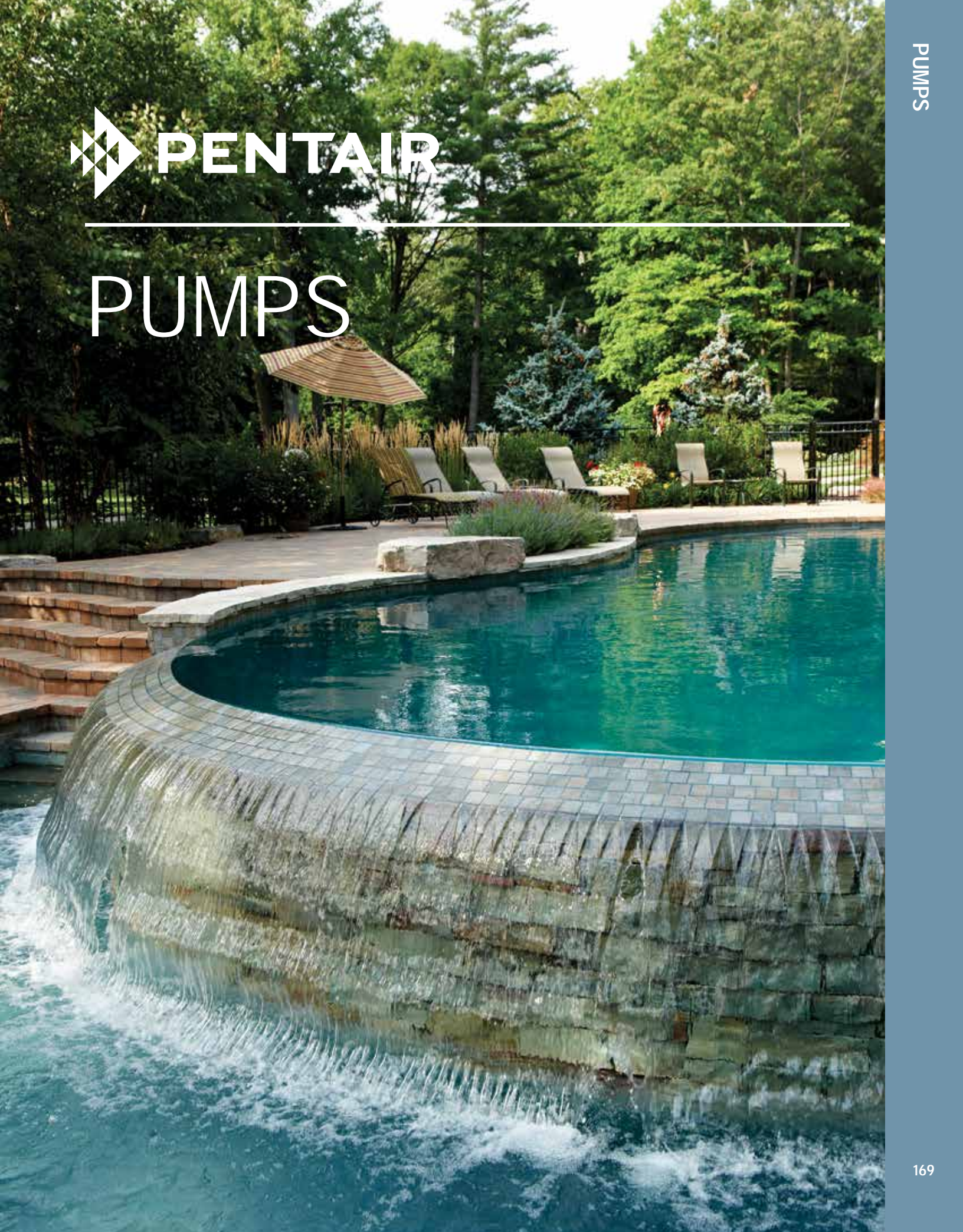
CALIFORNIA PROPOSITION 65 WARNING

⚠ **WARNING:** Cancer and Reproductive Harm.
 ⚠ **AVERTISSEMENT:** Peut Causer le Cancer et des Dommages au Système Reproducteur.
 ⚠ **ADVERTENCIA:** Cáncer y Daño Reproductivo.
www.p65warnings.ca.gov

AquaTRAM 360 Lift and Accessories	
Pentair P/N	Description
11250	AquaTRAM 360 Lift w/ Anchor
11250-A	AquaTRAM 360 Lift without Anchor
11252	AquaTRAM 360 Anchor Kit w/ Cap
11257	AquaTRAM 360 Protective Cover
11254	AquaTRAM 360 Adjustable Headrest
11253	AquaTRAM 360 Transport Cart
11255	AquaTRAM 360 Sling Arm Option (500# Capacity)
11256-C	AquaTRAM 360 Replacement Sling Chain Set
11256	AquaTRAM 360 Replacement Sling (500# Capacity)
11256-B	AquaTRAM 360 Replacement Sling Bars
11258	AquaTRAM 360 Gurney Option
11260	AquaTRAM 360 Spine Board Option
11261	AquaTRAM 360 Head Immobilizer for Spine Board
11274	AquaTRAM 360 Replacement Hand Control, 4-Button
11275	AquaTRAM 360 Replacement Control Box
11276	AquaTRAM 360 Replacement Actuator
11259	AquaTRAM 360 Wheelchair Option 22" Chair included



PUMPS



INTELLIFLOXF® VSF

VARIABLE SPEED AND FLOW PUMP

TRADEGRADE



IntelliFloXF VSF
Variable Speed and Flow Pump

Patent Information: www.pentair.com/patents

Featured Highlights

- Eight programmable speed or flow settings and built-in timer
- Rotatable keypad with optional wall mount kit (sold separately)
- Top-mounted field wiring compartment is easier to access and connect
- Totally enclosed fan-cooled design keeps motor shielded from the elements for extended life
- Menus are easier than ever to use
- Union connectors included for connecting directly to 2.5" or 3" plumbing
- Maintains system flow requirements
- Compatible with Pentair Automation

The IntelliFlo VSF pump family is the first variable speed and flow pump that adjusts to changes in flow system conditions to maintain its programmed flow rate. With its available performance and efficiency, it is perfectly suited for large and feature rich pools with high flow demand to power waterfalls, slides, negative edges and more.

Ordering Information

Product	Description	THP	WEF	HHP	Service Factor	Voltage	Frequency	Current	Port Size (NPT)	Weight	Certifications ³
INTELLIFLOXF VSF ENERGY EFFICIENT VARIABLE SPEED AND FLOW PUMP											
022056	IntelliFloXF VSF	3.95	5.6	2.10	1.0	230	50/60	16.0	2.5" x 2.5" OR 3" x 3"	60	UL ¹ , NSF ²
ACCESSORIES											
400012	XF Riser Base - Simplifies installation of XF-series pumps in applications where Challenger pumps are being replaced.										
521109	IntelliCom 2 - Rated 9 - 30 V DC with 4 inputs										1
350122	Communication Cable - 50 ft. - Included with pump										2
356904Z	Keypad Relocation Kit										2

¹ 'UL' indicates that pump bears a UL mark signifying evaluation to U.S. Standards UL1081 for Permanently Connected Swimming Pool and Spa Pumps and to Canadian Standards CAN/CSA C22.2 No. 108-01 Liquid Pumps For Swimming Pools Only (Enclosure 3).

² 'NSF' indicates that pump bears a mark signifying evaluation to NSF Standard 50 For Self-Priming Centrifugal Pumps For Swimming Pools Only.

³ Product may have been evaluated to other state and local regulatory standards. Listing status may change. Always confirm status with appropriate agency if in doubt.

Note: Pump must be used with current collectors when installed on spas or hot tubs in Canada.

Refer to catalog page 58 for a selection of 2-Pole GFCI breakers which offer 6 milliamp personnel protection while meeting 2008 to current NEC Standards for Pool Pumps.

CALIFORNIA PROPOSITION 65 WARNING

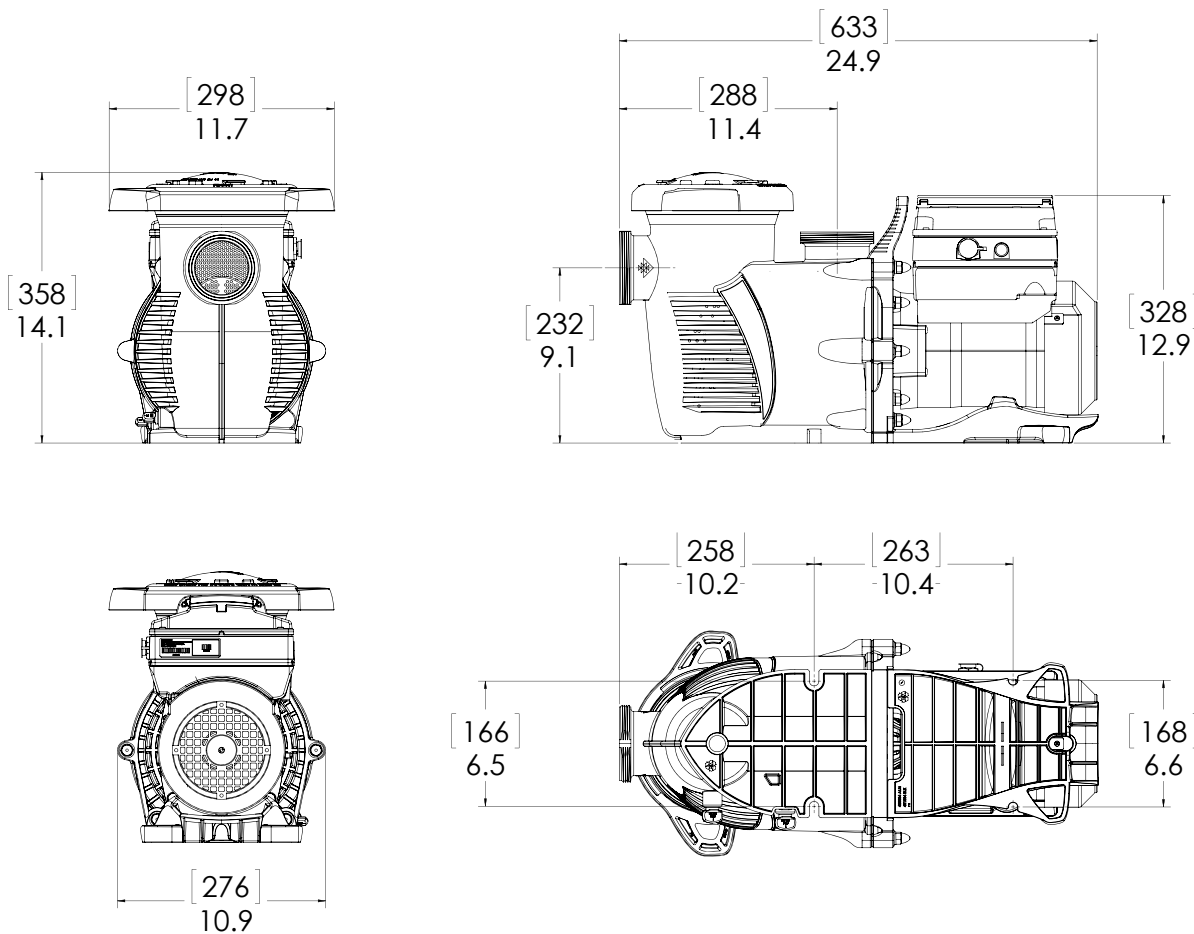
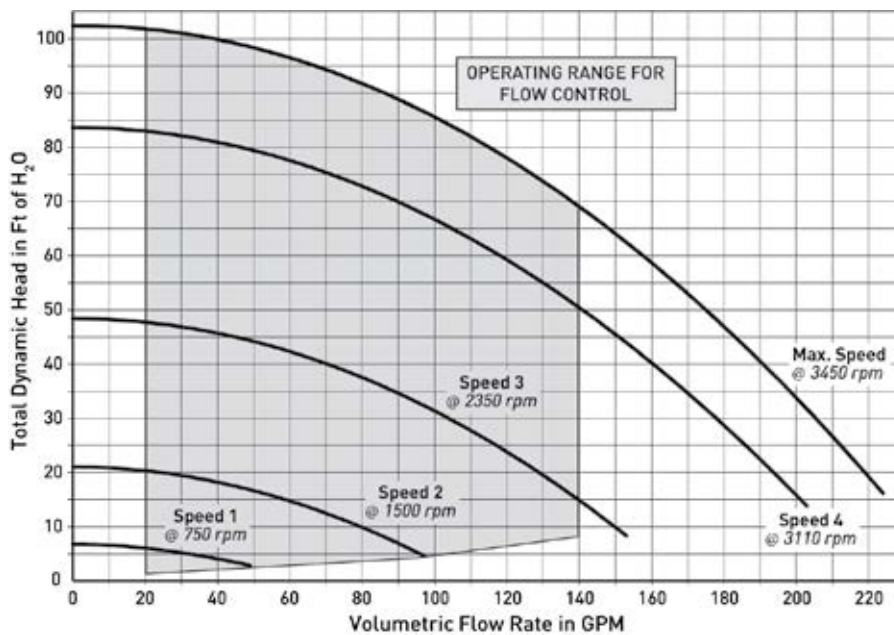
▲ **WARNING:** Cancer and Reproductive Harm.
▲ **AVERTISSEMENT:** Peut Causer le Cancer et des Dommages au Système Reproducteur.
▲ **ADVERTENCIA:** Cáncer y Daño Reproductivo.

www.p65warnings.ca.gov
PK320174

INTELLIFLOXF® VSF

VARIABLE SPEED AND FLOW PUMP (CONT'D)

Dimensions and Performance



See page 469 for replacement parts.

INTELLIFLO® VSF

VARIABLE SPEED AND FLOW PUMP

TRADEGRADE



IntelliFlo VSF
Variable Speed and Flow
Pump

Featured Highlights

- Eight programmable speed or flow settings and built-in timer
- Rotatable keypad with optional wall mount kit (sold separately)
- Top-mounted field wiring compartment is easier to access and connect
- Totally enclosed fan-cooled design for increased performance and long life
- Menus are easier than ever to use
- Consistently maintains system flow requirements
- Compatible with Pentair Automation

Patent Information: www.pentair.com/patents

IntelliFlo VSF pump is the first variable speed and flow pump that adjusts to changes in flow conditions to maintain its preprogrammed flow rate to run optimally throughout the entire filtration cycle. Filters get the right amount of flow to maintain water clarity. Laminares and other water features perform more consistently. Equipment efficiency and service life increase.

Ordering Information

Product	Description	THP	WEF	HHP	Service Factor	Voltage	Frequency	Current	Port Size	Weight	Certifications ³
INTELLIFLO VSF ENERGY EFFICIENT VARIABLE SPEED AND FLOW PUMP											
011056	IntelliFlo VSF	3.95	6.9	1.88	1.0	230	50/60	16.0	2" x 2"	53	UL ¹ , NSF ²
ACCESSORIES											
521109	IntelliCom 2 - Rated 9 - 30 V DC with 4 inputs										1
350122	Communication Cable - 50 ft. - Included with pump										2
357156	Chemical Resistant Lid										1
356904Z	Keypad Relocation Kit										2
356198	Chemical/Salt/Ozone Resistant EPDM & SS Seal Quick Kit										1
UNIONS											
11201-0154	2 in. x 2 in. Union (2 in. NPT male x 2 in. female NPT quick connect)										* Note: two required per pump (sold individually) 2

¹ 'UL' indicates that pump bears a UL mark signifying evaluation to U.S. Standards UL1081 for Permanently Connected Swimming Pool and Spa Pumps and to Canadian Standards CAN/CSA C22.2 No. 108-01 Liquid Pumps For Swimming Pools Only (Enclosure 3).

² 'NSF' indicates that pump bears a mark signifying evaluation to NSF Standard 50 For Self-Priming Centrifugal Pumps For Swimming Pools Only.

³ Product may have been evaluated to other state and local regulatory standards. Listing status may change. Always confirm status with appropriate agency if in doubt.

Note: Pump must be used with current collectors when installed on spas or hot tubs in Canada.

Refer to catalog page 58 for a selection of 2-Pole GFCI breakers which offer 6 milliamp personnel protection while meeting 2008 to current NEC Standards for Pool Pumps.

CALIFORNIA PROPOSITION 65 WARNING

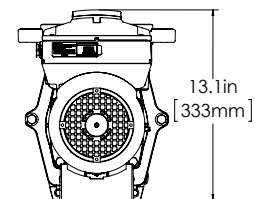
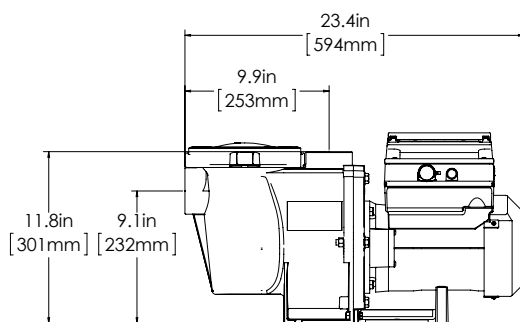
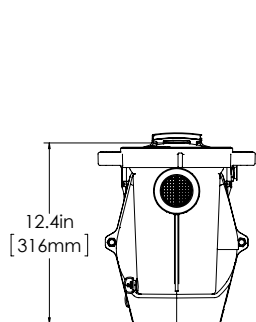
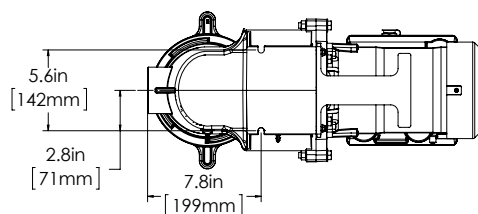
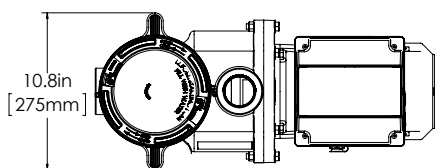
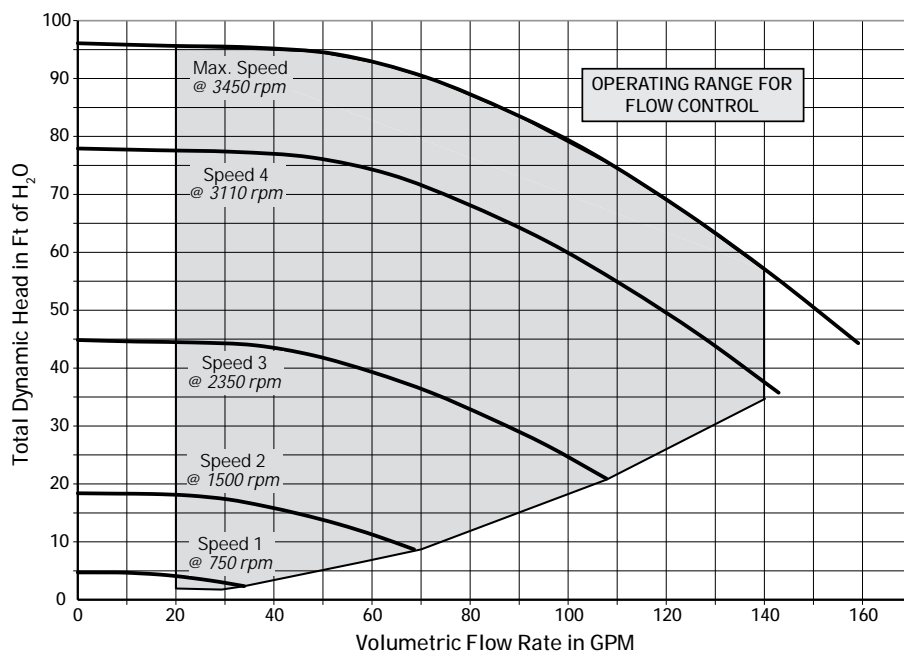
⚠ **WARNING:** Cancer and Reproductive Harm.
 ⚠ **AVERTISSEMENT:** Peut Causer le Cancer et des Dommages au Système Reproducteur.
 ⚠ **ADVERTENCIA:** Cáncer y Daño Reproductivo.

www.p65warnings.ca.gov PH28114

INTELLIFLO® VSF

VARIABLE SPEED AND FLOW PUMP (CONT'D)

Dimensions and Performance



See page 472 for replacement parts.

INTELLIFLO® VS+SVRS HIGH PERFORMANCE PUMPS



IntelliFlo VS+SVRS
High Performance Pump

Patent Information: www.pentair.com/patents

IntelliFlo pumps combine variable speed technology, onboard digital intelligence and permanent magnet motors (used in hybrid cars) to reduce pump-related energy costs by up to 90%*. The IntelliFlo VS+SVRS pump models were the first swimming pool pumps to feature a built-in Safety Vacuum Release System that detects drain blockage and automatically shuts the pump off.

Featured Highlights

- Ability to program exact pump speeds for specific operations – filtering, heating, cleaning, spa jets, water features and more
- SVRS complies with Virginia Graeme Baker Safety Act
- Built-in diagnostics helps protect the IntelliFlo pump from the most common causes of premature failure – overheating, freezing, and voltage irregularities.
- Includes priming protection. No SVRS calibrations needed. Built-in SVRS cannot be turned off.
- Safety lock-out feature (password protected) prevents pump speed settings from being changed by unauthorized personnel
- Ability to set minimum and maximum speeds so pump will only operate within the ranges set to help assure suitable operation for a longer life
- Compatible with Pentair Automation Systems
- Compliant with the current ASME A112.19.17 Standard for Safety Vacuum Release Systems (SVRS)
- Operates seamlessly on 50 hz or 60 hz input power. Flow/speed are constant when operating on 50hz or 60 hz.

Ordering Information

Product	Description	THP	WEF	HHP	Service Factor	Voltage	Frequency	Current	Port Size	Weight	Certifications ³
ENERGY EFFICIENT VARIABLE SPEED WITH SAFETY VACUUM RELEASE SYSTEM											
011057	IntelliFlo VS+SVRS	3.95	6.9	1.88	1.0	230	50/60	16.0	2" x 2"	53	UL ¹ , NSF ²
ACCESSORIES											
521109	IntelliCom 2 - Rated 9 - 30 V DC with 4 inputs										1
350122	Communication Cable - 50 ft. - Included with pump										2
350250Z	SVRS KIT - Allows use of discharge check valves with SVRS pump										1
356198	Chemical/Salt/Ozone Resistant EPDM & SS Seal Quick Kit										1
UNIONS											
11201-0154	2 in. x 2 in. Union (2 in. NPT male x 2 in. female NPT quick connect)										* Note: two required per pump (sold individually) 2

¹ 'UL' indicates that pump bears a UL mark signifying evaluation to U.S. Standards UL1081 for Permanently Connected Swimming Pool and Spa Pumps and to Canadian Standards CAN/CSA C22.2 No. 108-01 Liquid Pumps For Swimming Pools Only (Enclosure 3).

² 'NSF' indicates that pump bears a mark signifying evaluation to NSF Standard 50 For Self-Priming Centrifugal Pumps For Swimming Pools Only.

³ Product may have been evaluated to other state and local regulatory standards. Listing status may change. Always confirm status with appropriate agency if in doubt.

Note: Pump must be used with current collectors when installed on spas or hot tubs in Canada.

• Savings based on variable speed pump compared to a single-speed pump running 12 hours per day at an average of \$0.16 per kWh in a 20,000 gallon pool. Actual savings may vary based on local utility rates, pool size, pump run time, pump horsepower, pump rpm, plumbing size and length, pump model, service factor and other hydraulic factors.

Refer to catalog page 58 for a selection of 2-Pole GFCI breakers which offer 6 milliamp personnel protection while meeting 2008 to Current NEC Standards for Pool Pumps.

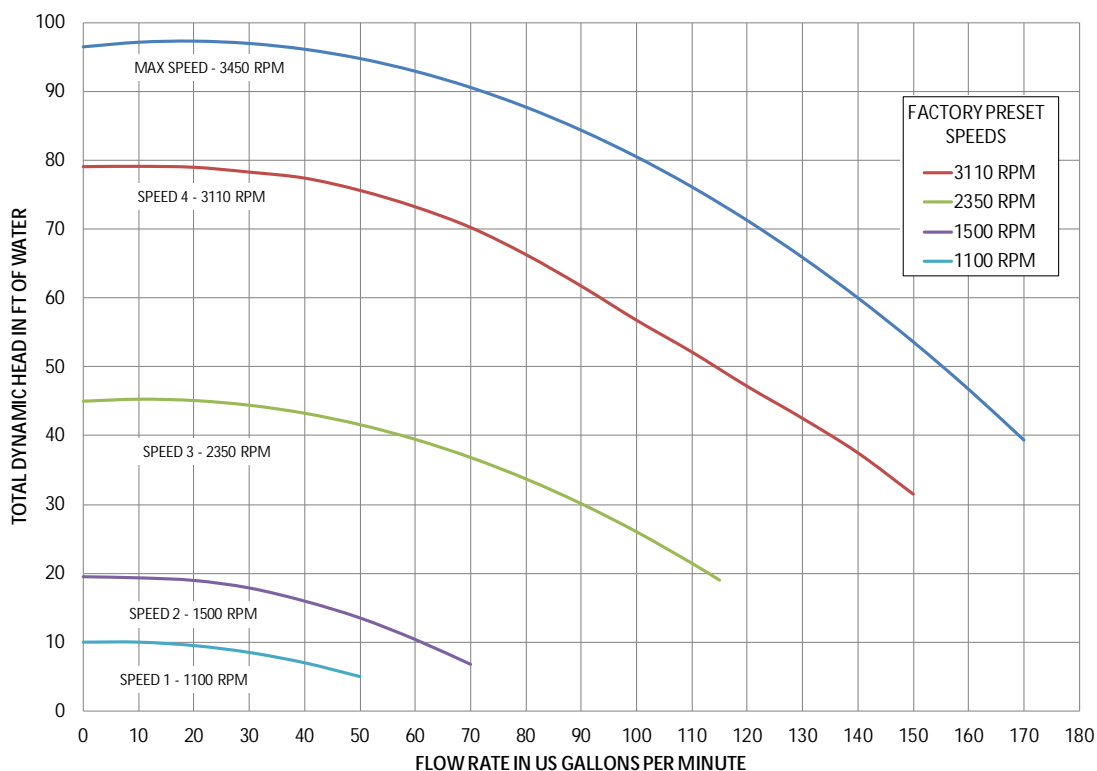
CALIFORNIA PROPOSITION 65 WARNING

⚠ **WARNING:** Cancer and Reproductive Harm.
 ⚠ **AVERTISSEMENT:** Peut Causer le Cancer et des Dommages au Système Reproducteur.
 ⚠ **ADVERTENCIA:** Cáncer y Daño Reproductivo.
www.p65warnings.ca.gov

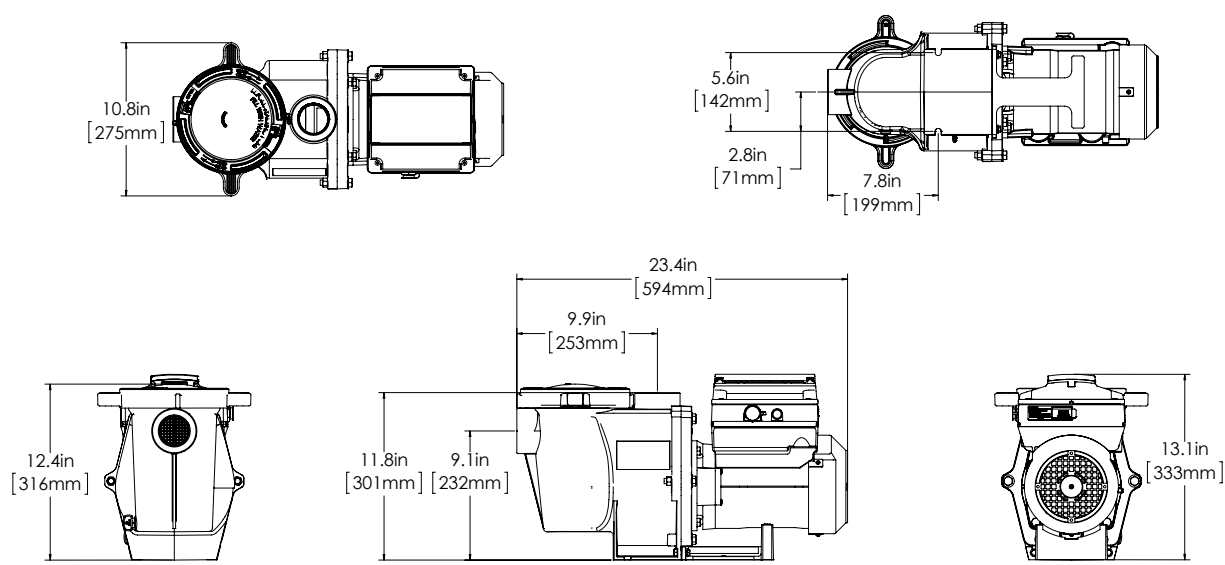
INTELLIFLO® VS+SVRS

HIGH PERFORMANCE PUMPS (CONT'D)

Dimensions and Performance



Note: IntelliFlo VS+SVRS minimum speed is 1100 RPM



See page 473 for replacement parts.

INTELLIFLO® i2

VARIABLE SPEED PUMP



IntelliFlo i2
Variable Speed Pump

Patent Information: www.pentair.com/patents

Featured Highlights

- Rotable keypad for easy programming and viewing
- Keypad has the ability to be wall mounted with optional wall kit (sold separately)
- Intuitive interface/HMI simplifies programming and use
- Top-mounted field wiring compartment for easy access and installation
- 8 programmable speed settings and built in timer
- Totally-enclosed fan-cooled design (TEFC) for quiet operation
- Built-in diagnostics helps protect the pump for longer service life
- Interfaces perfectly with Pentair automation systems

IntelliFlo i2 Variable Speed pump is hydraulically engineered to provide maximum performance on a 15-amp breaker. It has a maximum rating of 11.8 amps, also making retrofits easier in applications that are limited by existing wire gauge size. The IntelliFlo i2 pump provides all the great features that have made our best-selling IntelliFlo pumps the industry standard.

Ordering Information

Product	Description	THP	WEF	HHP	Service Factor	Voltage	Frequency	Current	Port Size	Weight	Certifications ³
ENERGY EFFICIENT VARIABLE SPEED FULL RATED											
011060	IntelliFlo i2	3.95	6.9	1.69	1.0	230	50/60	11.8	2" x 2"	53	UL ¹ , NSF ²
ACCESSORIES											
521109	IntelliCom 2 - Rated 9 - 30 V DC with 4 inputs									1	
350122	Automation Communication Cable for IntelliFlo - Included with pump									2	
357156	Chemical Resistant Lid									1	
356904Z	Optional Keypad Wall Mount Kit									2	
356198	Chemical/Salt/Ozone/Resistant EPDM & SS Seal Quick Kit									1	

¹ 'UL' indicates that pump bears a specific UL mark signifying evaluation to U.S. Standards UL1081 for Permanently Connected Swimming Pool and Spa Pumps and to Canadian Standards CAN/CSA C22.2 No. 108-01 Liquid Pumps For Swimming Pools Only (Enclosure 3).

² 'NSF' indicates that pump bears a mark signifying evaluation to NSF Standard 50 For Self-Priming Centrifugal Pumps For Swimming Pools Only.

³ Product may have been evaluated to other state and local regulatory standards. Listing status may change. Always confirm status with appropriate agency if in doubt.

Refer to catalog page 58 for a selection of 2-Pole GFCI breakers which offer 6 milliamp personnel protection while meeting 2008 to current NEC Standards for Pool Pumps.

CALIFORNIA PROPOSITION 65 WARNING

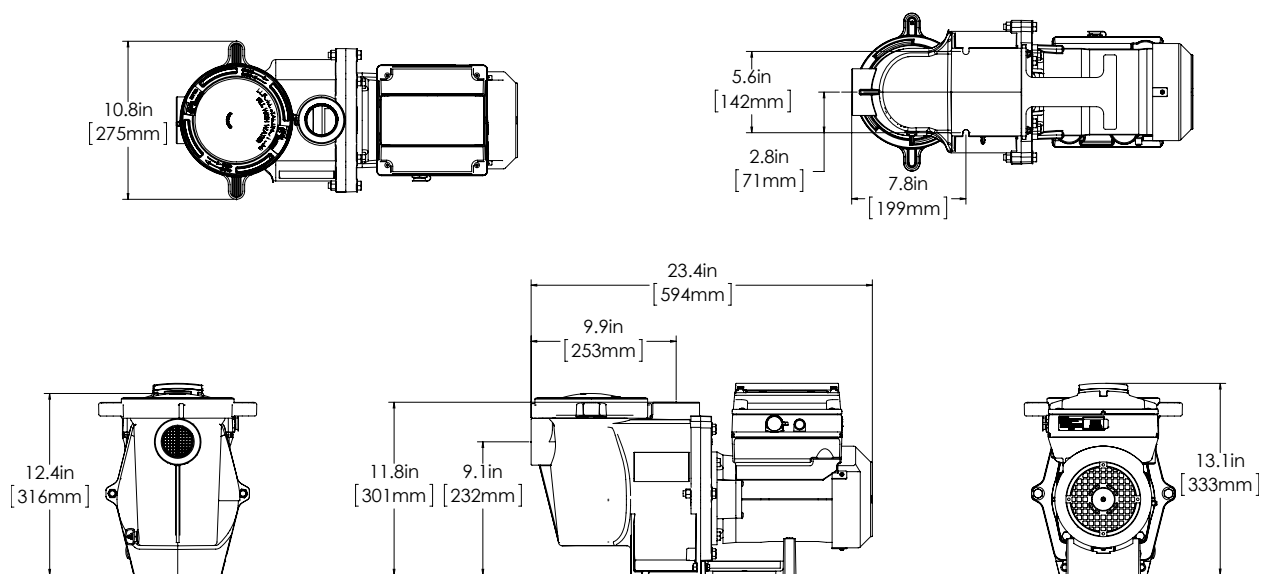
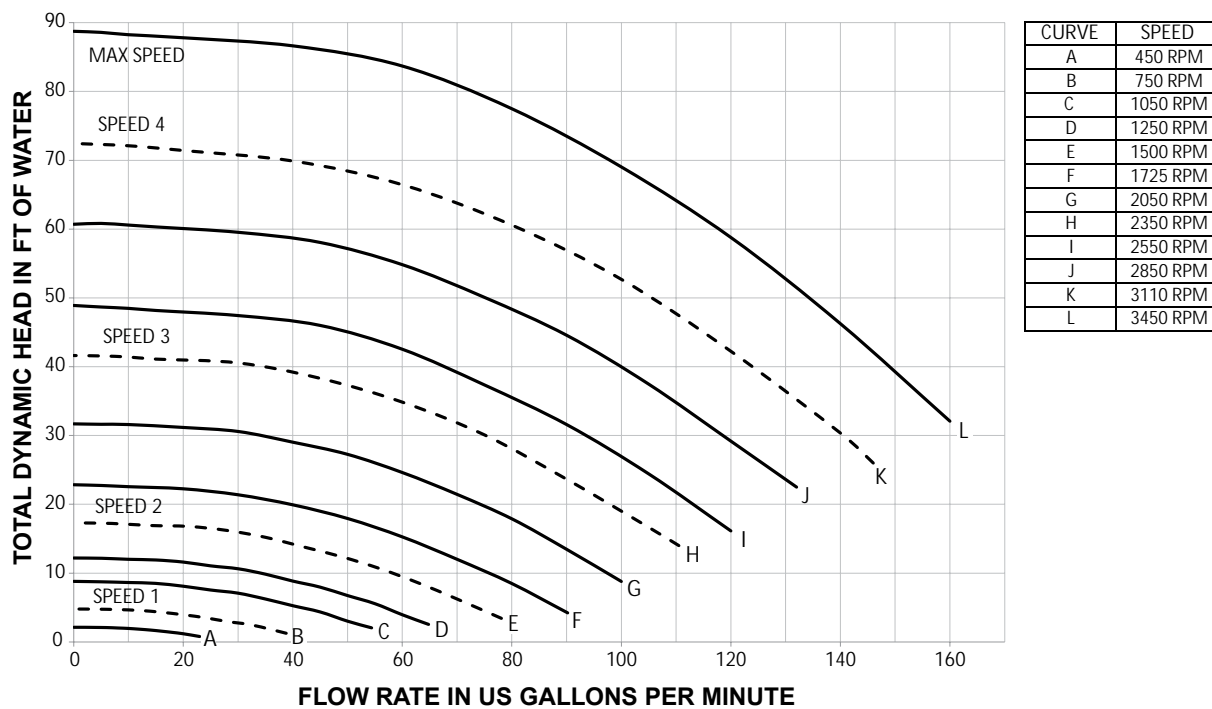
▲ **WARNING:** Cancer and Reproductive Harm.
▲ **AVERTISSEMENT:** Peut Causer le Cancer et des Dommages au Système Reproducteur.
▲ **ADVERTENCIA:** Cáncer y Daño Reproductivo.

www.p65warnings.ca.gov
PR030714A

INTELLIFLO® i2

VARIABLE SPEED PUMP (CONT'D)

Dimensions and Performance



INTELLIFLO® i1

VARIABLE SPEED PUMP



IntelliFlo i1
Variable Speed Pump

Featured Highlights

- Rotable keypad for easy programming and viewing
- Keypad has the ability to be wall mounted with optional wall kit (sold separately)
- Intuitive interface/HMI simplifies programming and use
- Top-mounted field wiring compartment for easy access and installation
- 8 programmable speed settings and built in timer
- Totally-enclosed fan-cooled design (TEFC) for quiet operation
- Built-in diagnostics helps protect the pump for longer service life
- Interfaces perfectly with Pentair automation systems

Patent Information: www.pentair.com/patents

IntelliFlo i1 Variable Speed pump has a unique hydraulic platform designed for compliance in specific geographical areas with certain flow rates. IntelliFlo i1 pump provides all the features as standard IntelliFlo pumps but is engineered to be limited to the flow rate of a 1-HP pump. It also has a max amp rating of 7 amps for easy retrofits with limited existing wire gauge size.

Ordering Information

Product	Description	THP	WEF	HHP	Service Factor	Voltage	Frequency	Current	Port Size	Weight	Certifications ³
ENERGY EFFICIENT VARIABLE SPEED FULL RATED											
011059	IntelliFlo i1	3.95	7.5	1.13	1.0	230	50/60	7.3	2" x 2"	53	UL ¹ , NSF ²
ACCESSORIES											
521109	IntelliCom 2 - Rated 9 - 30 V DC with 4 inputs									1	
350122	Automation Communication Cable for IntelliFlo - Included with pump									2	
357156	Chemical Resistant Lid									1	
356904Z	Optional Keypad Wall Mount Kit									2	
356198	Chemical/Salt/Ozone/Resistant EPDM & SS Seal Quick Kit									1	

¹ 'UL' indicates that pump bears a specific UL mark signifying evaluation to U.S. Standards UL1081 for Permanently Connected Swimming Pool and Spa Pumps and to Canadian Standards CAN/CSA C22.2 No. 108-01 Liquid Pumps For Swimming Pools Only (Enclosure 3).

² 'NSF' indicates that pump bears a mark signifying evaluation to NSF Standard 50 For Self-Priming Centrifugal Pumps For Swimming Pools Only.

³ Product may have been evaluated to other state and local regulatory standards. Listing status may change. Always confirm status with appropriate agency if in doubt.

Refer to catalog page 58 for a selection of 2-Pole GFCI breakers which offer 6 milliamp personnel protection while meeting 2008 to current NEC Standards for Pool Pumps

CALIFORNIA PROPOSITION 65 WARNING

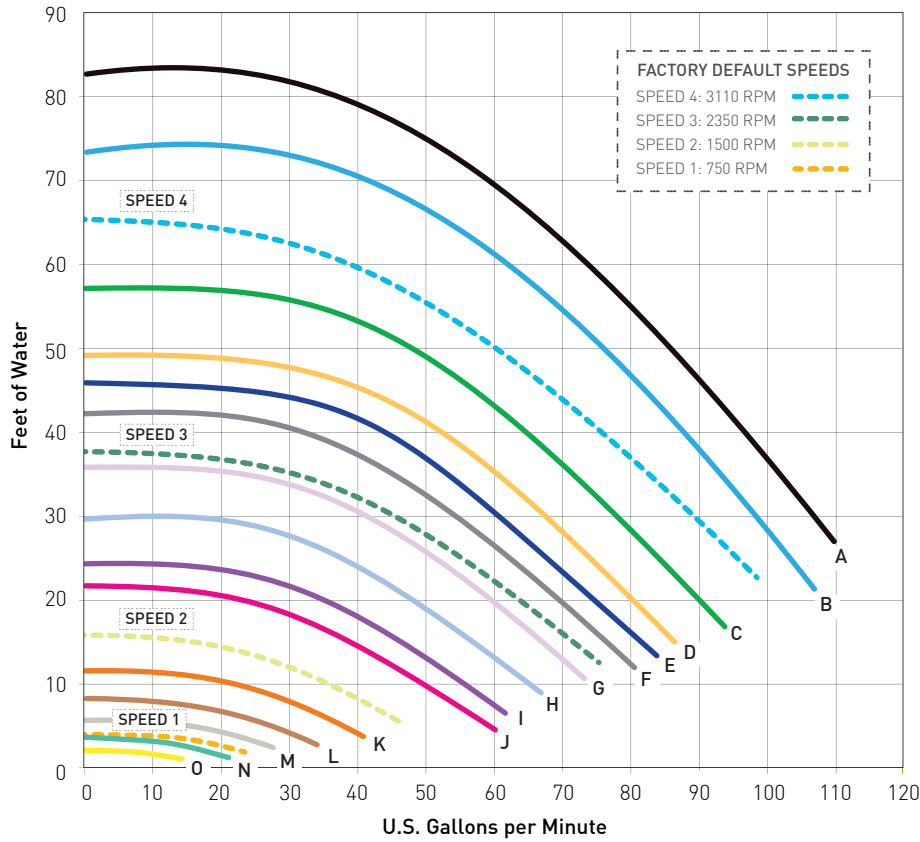
⚠ **WARNING:** Cancer and Reproductive Harm.
 ⚠ **AVERTISSEMENT:** Peut Causer le Cancer et des Dommages au Système Reproducteur.
 ⚠ **ADVERTENCIA:** Cáncer y Daño Reproductivo.

www.p65warnings.ca.gov
P9208174A

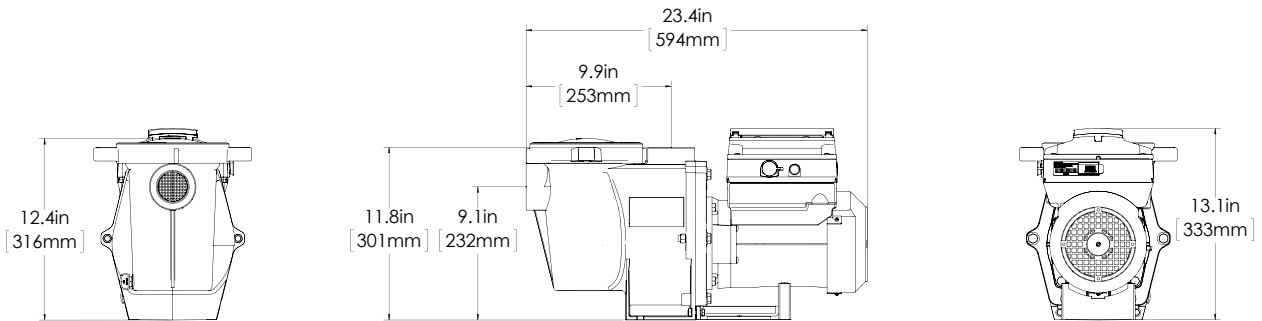
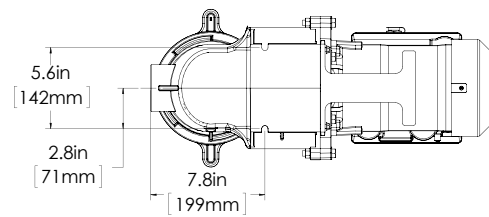
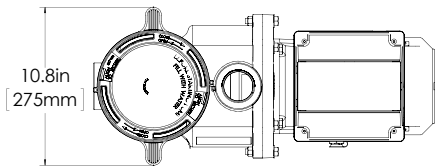
INTELLIFLO® i1

VARIABLE SPEED PUMP (CONT'D)

Dimensions and Performance



CURVE	SPEED
A	3450 RPM
B	3250 RPM
C	2850 RPM
D	2650 RPM
E	2550 RPM
F	2450 RPM
G	2250 RPM
H	2050 RPM
I	1850 RPM
J	1725 RPM
K	1250 RPM
L	1050 RPM
M	850 RPM
N	650 RPM
O	450 RPM



WHISPERFLOXF[®]

HIGH PERFORMANCE PUMPS

TRADEGRADE



WhisperFloXF Pump shown with TEFC Motor

Developed using the most advanced engineering tools available - CFD (Computational Fluid Dynamics) and FEA (Finite Element Analysis). The impeller design delivers high level of precision concentricity for increased efficiency. *Optional riser base for Challenger pump replacements, Part # 400012 available separately.

TEFC Super-Duty Single Speed Models are designated
 Product 022032, 022033, 022034

Featured Highlights

- Drop-in replacement for all WhisperFlo[®] Pump models. Simple replacement for Challenger[®] Pumps.*
- Union connectors included for connecting directly to 2.5 in. or 3 in. plumbing
- Extra large, robust basket with smooth surface for easy debris removal
- Easy-carry handle; easily removable ergonomic lock ring; and see-through lid for easy basket inspection
- Three Phase XF pumps are compatible with Pentair's Acu Drive XS VFD's

Ordering Information

Product	Rated HP	THP	WEF	HHP	Service Factor	Voltage	Frequency	Current	Port Size	Weight	Certifications ³	Curve Key
COMMERCIAL SINGLE-SPEED TEFC												
022034	5	5	N/A	N/A	1.00	208-230	60	20.0-18.8	2.5" x 2.5" or 3" x 3"	67	UL ¹ , NSF ²	A
TEFC SINGLE-SPEED—NOT FOR SALE IN THE USA												
022032-INT	2	2.60	N/A	N/A	1.30	208-230	60	11.1-9.5	2.5" x 2.5" or 3" x 3"	57	UL ¹ , NSF ²	D
022033-INT	3	3.45	N/A	N/A	1.15	208-230	60	14.6-12.7	2.5" x 2.5" or 3" x 3"	61	UL ¹ , NSF ²	B
THREE-PHASE SUPER-DUTY												
022017	2	2.6	N/A	N/A	1.30	208-230/460	60	7.5-7.2/3.6	2.5" x 2.5" or 3" x 3"	60	UL ¹ , NSF ²	I
022018	3	3.25	N/A	N/A	1.15	208-230/460	60	9.8-9.4/4.7	2.5" x 2.5" or 3" x 3"	60	UL ¹ , NSF ²	H
022019	5	5.00	N/A	N/A	1.00	208-230/460	60	13.9-13.1/6.6	2.5" x 2.5" or 3" x 3"	72	UL ¹ , NSF ²	G
ACCESSORIES												
400012	XF Riser Base - Simplifies installation of XF-series pumps in applications where Challenger pumps are being replaced.											

¹ 'UL' indicates that pump bears a UL mark signifying evaluation to U.S. Standards UL1081 for Permanently Connected Swimming Pool and Spa Pumps and to Canadian Standards CAN/CSA C22.2 No. 108-01 Liquid Pumps For Swimming Pools Only (Enclosure 3).

² 'NSF' indicates that pump bears a mark signifying evaluation to NSF Standard 50 For Self-Priming Centrifugal Pumps For Swimming Pools, Spas and Hot Tubs.

³ Product may have been evaluated to other state and local regulatory standards. Listing status may change. Always confirm status with appropriate agency if in doubt.

CALIFORNIA PROPOSITION 65 WARNING

▲ **WARNING:** Cancer and Reproductive Harm.
▲ **AVERTISSEMENT:** Peut Causer le Cancer et des Dommages au Système Reproducteur.
▲ **ADVERTENCIA:** Cáncer y Daño Reproductivo.

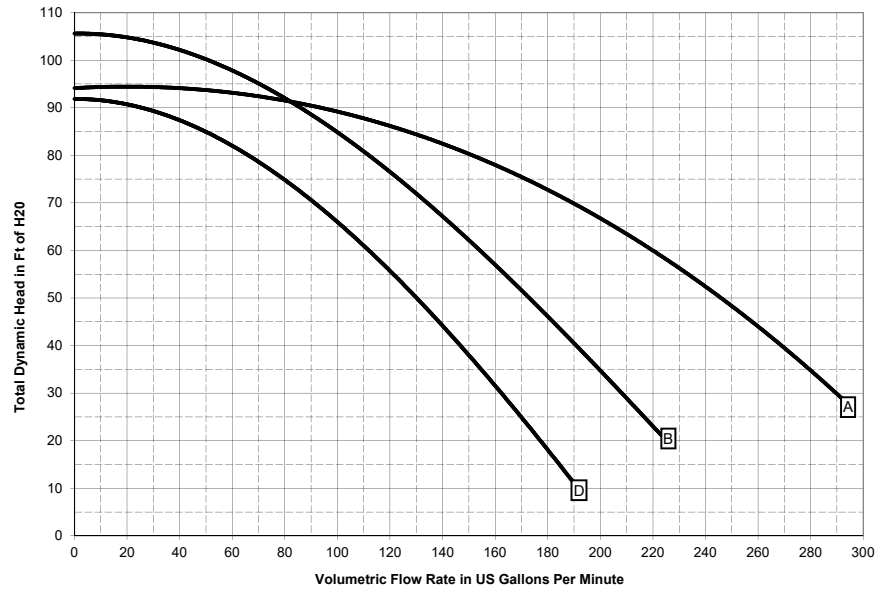
www.p65warnings.ca.gov
19/2017A

WHISPERFLOXF[®]

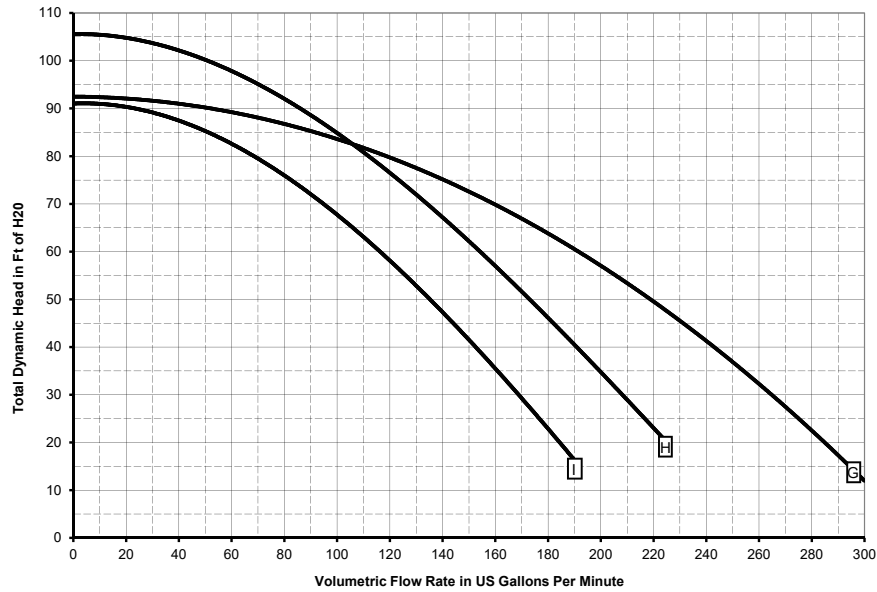
HIGH PERFORMANCE PUMPS (CONT'D)

Dimensions and Performance

1 & 2-Speed Performance Curve

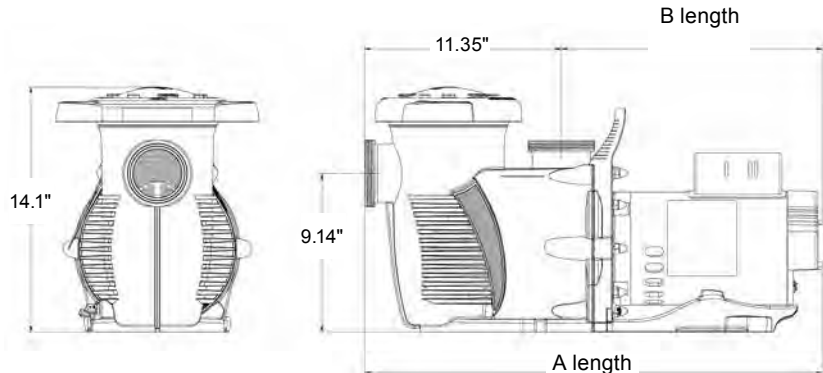


3 Phase Performance Curve



B-VARYING LENGTH		
HP	TEFC	3-PH
2	13.05	12.35
3	13.65	13.05
5	14.55	13.88

A-VARYING LENGTH		
HP	TEFC	3-PH
2	24.4	23.7
3	25	24.4
5	25.9	25.23



See page 478–479 for replacement parts.

WHISPERFLO®

HIGH PERFORMANCE PUMPS

TRADEGRADE



WhisperFlo Pump shown with TEFC Motor

Robust thermoplastic with the Cam & Ramp™ See-Through Lid design. Self-priming, high flow with Funnel-Flo™ Diffusers. 2 in. suction and discharge ports. Motor features threaded shaft and durable commercial duty 56 frame motor.

Featured Highlights

- Oversized strainer basket and volute—industry standard in pool pumps
- TEFC Motors available
- Lower HP's deliver higher performance than industry standard
- Compatible with all cleaning systems, various filters and jet action spas
- Heavy-duty/durable construction is designed for long life
- Designed for residential and commercial applications

CALIFORNIA PROPOSITION 65 WARNING

⚠ **WARNING:** Cancer and Reproductive Harm.
 ⚠ **AVERTISSEMENT:** Peut Causer le Cancer et des Dommages au Système Reproducteur.
 ⚠ **ADVERTENCIA:** Cáncer y Daño Reproductivo.
www.p65warnings.ca.gov PH 201714A

Ordering Information

Product	Rated HP	THP	WEF	HHP	Service Factor	Voltage	Frequency	Current	Port Size	Weight	Certifications ³	Curve Key
DOE COMPLIANT SINGLE-SPEED TEFC												
015583	N/A	1.1	3.4	0.69	1.00	115/208-230	60	10.5/5.4-5.4	2" x 2"	50	UL ¹ , NSF ²	E
ENERGY EFFICIENT SINGLE-SPEED - NOT FOR SALE IN THE USA												
011511-INT	1/2	0.95	N/A	N/A	1.00	115/208-230	60	8.8/4.5-4.4	2" x 2"	44	UL ¹ , NSF ²	E
011512-INT	3/4	1.25	N/A	N/A	1.00	115/208-230	60	12.8/7.0-6.4	2" x 2"	44	UL ¹ , NSF ²	F
TEFC SINGLE-SPEED - NOT FOR SALE IN THE USA												
011527-INT	1	1.65	N/A	N/A	1.00	115/208-230	60	15.1/8.5-7.7	2" x 2"	50	UL ¹ , NSF ²	G
011528-INT	1 1/2	2.21	N/A	N/A	1.00	208-230	60	10.3-9.1	2" x 2"	53	UL ¹ , NSF ²	H
011529-INT	2	2.60	N/A	N/A	1.00	208-230	60	11.7-10.3	2" x 2"	58	UL ¹ , NSF ²	I
011530-INT	3	3.45	N/A	N/A	1.00	208-230	60	14.6-12.7	2" x 2"	62	UL ¹ , NSF ²	J
ENERGY EFFICIENT 50 HZ SINGLE-SPEED - NOT FOR SALE IN THE USA												
347926-INT	1/2	0.55	N/A	N/A	1.10	240/120	50	7.5/15.0	2" x 2"	45	—	—
347927-INT	3/4	0.83	N/A	N/A	1.10	240/120	50	7.5/15.0	2" x 2"	45	—	—
347928-INT	1	1.10	N/A	N/A	1.10	240/120	50	6.9/13.8	2" x 2"	52	—	—
347929-INT	1 1/2	1.65	N/A	N/A	1.10	240	50	7.2	2" x 2"	52	—	—
347930-INT	2	2.20	N/A	N/A	1.10	240	50	9.4	2" x 2"	55	—	—
THREE-PHASE SUPER-DUTY												
011641	1	1.65	2.9	1.10	1.65	208-230/460	60	4.9-4.5/2.3	2" x 2"	41	UL ¹ , NSF ²	G
011642	1.5	2.21	2.6	1.44	1.47	208-230/460	60	6.4-6.3/3.2	2" x 2"	43	UL ¹ , NSF ²	H
011643	2	2.60	2.5	1.61	1.30	208-230/460	60	7.5-7.2/3.6	2" x 2"	47	UL ¹ , NSF ²	I
011644	3	3.45	2.1	2.02	1.15	208-230/460	60	9.8-9.4/4.7	2" x 2"	52	UL ¹ , NSF ²	J
ACCESSORIES												
11201-0154	2 in. x 2 in. Union (2 in. NPT male x 2 in. female NPT quick connect) * Note: two required per pump (sold individually)											
357156	Cover/Lid, Chemical Resistant, CAM & RAMP											
356198	Chemical/Salt/Ozone/Resistant EPDM & SS Seal Quick Kit											

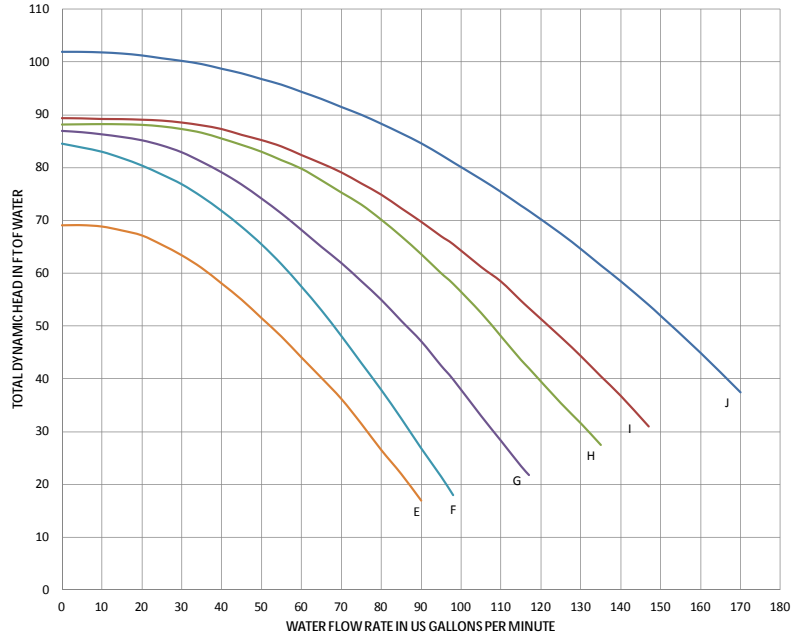
¹ 'UL' indicates that pump bears a UL mark signifying evaluation to U.S. Standards UL1081 for Permanently Connected Swimming Pool and Spa Pumps and to Canadian Standards CAN/CSA C22.2 No. 108-01 Liquid Pumps For Swimming Pools Only (Enclosure 3).

² 'NSF' indicates that pump bears a mark signifying evaluation to NSF Standard 50 For Self-Priming Centrifugal Pumps For Swimming Pools, Spas and Hot Tubs.

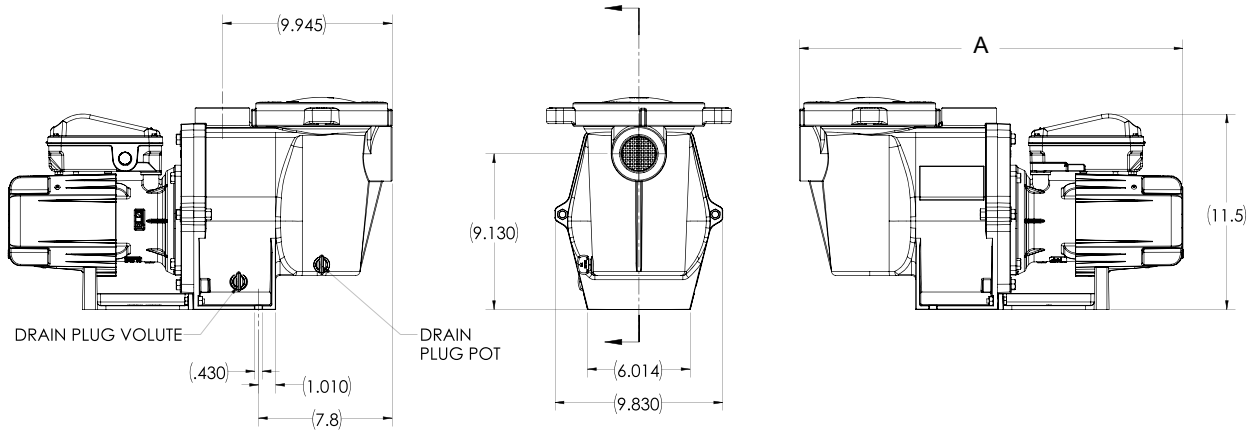
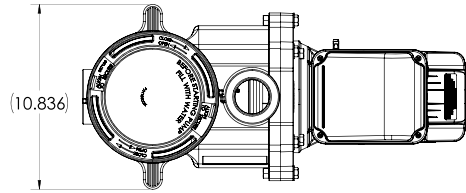
³ Product may have been evaluated to other state and local regulatory standards. Listing status may change. Always confirm status with appropriate agency if in doubt.

WHISPERFLO® HIGH PERFORMANCE PUMPS (CONT'D)

Dimensions and Performance



A- VARYING LENGTH				
HP	EE	TEFC	DOE Compliant	3-PH
0.5	24.41	—	—	—
0.75	24.41	—	—	—
1	—	21.71	—	21.5
1.1	—	—	22.5	—
1.5	—	22.16	—	21.5
2	—	22.51	—	21.81
3	—	23.21	—	22.61



See page 480–481 for replacement parts.

WATERFALL SPECIALTY PUMPS



WaterFall Specialty Pump

With Closed Impeller, Single-Speed. Custom designed for the specific demands of water features such as fountains, waterfalls, and other special pool features.

Featured Highlights

- Designed for low head applications that require 35–180 GPM's
- Pump components are custom molded of thermoplastic for strength, durability, and a quieter operation
- Standard 2 in. suction and discharge ports for operating efficiency
- Extra-large strainer basket extends time between cleanings
- Transparent strainer pot lid with comfortable handle provides easy access to strainer basket

CALIFORNIA PROPOSITION 65 WARNING

⚠ **WARNING:** Cancer and Reproductive Harm.
 ⚠ **AVERTISSEMENT:** Peut Causer le Cancer et des Dommages au Système Reproducteur.
 ⚠ **ADVERTENCIA:** Cáncer y Daño Reproductivo.
www.p65warnings.ca.gov

Ordering Information

Product	Model	Voltage	Full Load Amps	Primary Listings and Certifications ²	Port Size (NPT)	Carton Wt. (Lbs.)	Curve Key
EFFICIENT SINGLE SPEED WITH STRAINER							
▶ 340350	AFP-75	115/230	9.6/4.8	UL ^{1,2}	2 in. x 2 in.	40	A
▶ 340351	AFP-120	115/230	9.6/4.8	UL ^{1,2}	2 in. x 2 in.	40	B
▶ 340352	AFP-150	115/230	12.0/6.0	UL ^{1,2}	2 in. x 2 in.	43	D
EFFICIENT SINGLE SPEED WITHOUT STRAINER							
▶ 340300 ³	AF-75 ³	115/230	9.6/4.8	UL ^{1,2}	2 in. x 2 in.	37	A
▶ 340301 ³	AF-120 ³	115/230	9.6/4.8	UL ^{1,2}	2 in. x 2 in.	37	C
▶ 340302 ³	AF-180 ³	115/230	12.0/6.0	UL ^{1,2}	2 in. x 2 in.	40	E

¹ 'UL' indicates that pump bears a specific UL mark signifying evaluation to U.S. Standards UL1081 for Permanently Connected Swimming Pool and Spa Pumps and to Canadian Standards CAN/CSA C22.2 No. 108-01 Liquid Pumps For Swimming Pools And Spas. (Enclosure 3).

² Product may have been evaluated to other state and local regulatory standards. Listing status may change. Always confirm status with appropriate agency if in doubt.

³ Flooded suction models do not contain priming/strainer pot.



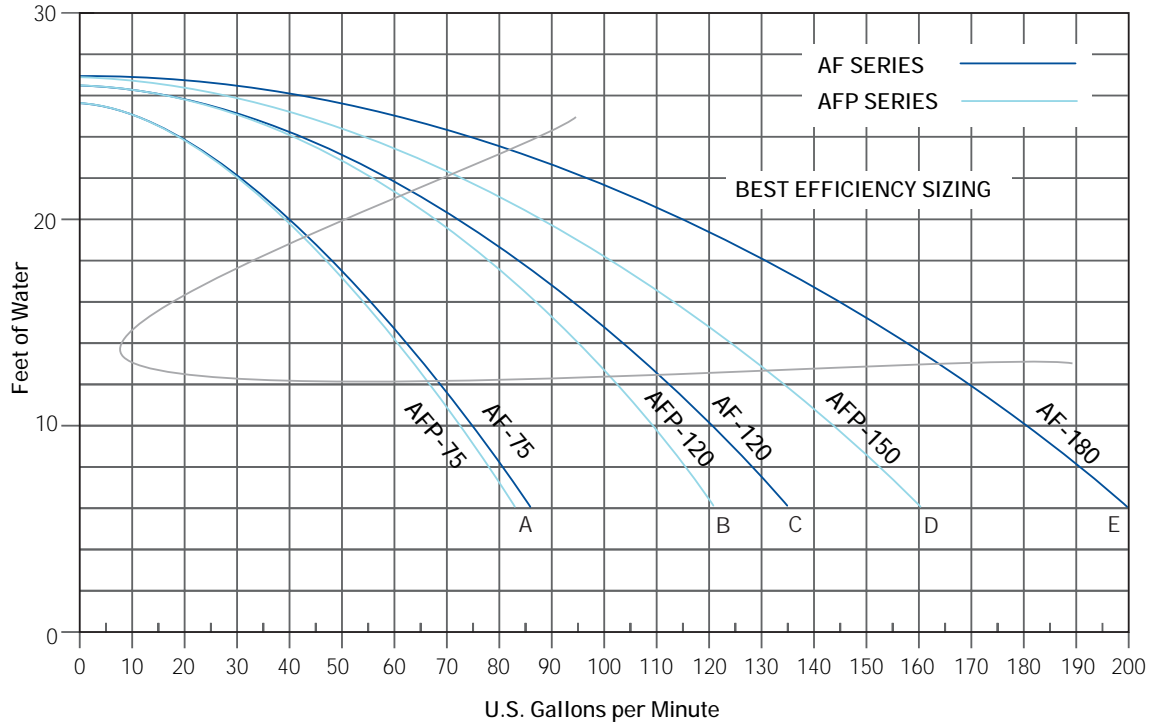
WaterFall Pump w/o Strainer
AF-75, 120, 180

▶ This product either meets or is exempt from the DOE Dedicated Purpose Pool Pump regulation. This product will remain available after the DOE regulation takes effect in July 2021.

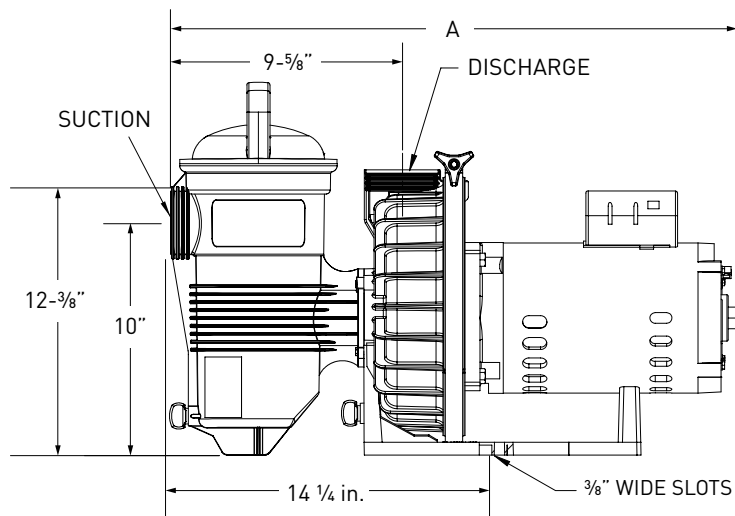
WATERFALL

SPECIALTY PUMPS (CONT'D)

Dimensions and Performance



FOR MODELS AFP 75, 120 & 150



"A" dimension varies from 23" to 24" depending upon model.
Suction and discharge connections are 2" NPT.

See page 523 for replacement parts.

SUPERFLO® VST VARIABLE SPEED PUMP

TRADEGRADE



SuperFlo VST Variable Speed Pump

Featured Highlights

- TEFC motor, can adapt to 115V to 230V or 50hz or 60hz power with no special wiring or switching
- Improved mechanical seal for long, dependable performance
- Simple, easy-to-use digital control keypad with three programmable speeds, override capability and a real-time, 24 hour clock
- Easy to access electrical connections for simple installation
- Ideal for new and standard pool pump replacement for pools requiring up to a 1.5 HP pump
- SuperFlo pumps by Pentair are a direct replacement for the Hayward® Super Pump®*

The SuperFlo VST Variable Speed Pump features sophisticated technology in a simple to operate pump. Designed for the practical pool owner, the SuperFlo VST pump has a dependable and robust Totally Enclosed Fan Cooled motor and can adapt to 115V to 230V and 50hz or 60hz power with no special wiring or switching.

CALIFORNIA PROPOSITION 65 WARNING

⚠️ **WARNING:** Cancer and Reproductive Harm.
 ⚠️ **AVERTISSEMENT:** Peut Causer le Cancer et des Dommages au Système Reproducteur.
 ⚠️ **ADVERTENCIA:** Cáncer y Daño Reproductivo.

www.p65warnings.ca.gov PN2019A

Ordering Information

Product	THP	WEF	HHP	Service Factor	Voltage	Frequency	Current	Port Size	Weight	Certifications
SUPERFLO VST VARIABLE SPEED										
342002	2.2	9.0	1.08	1.0	115/208-230	50/60	13.6/8.0-7.1	1.5" x 1.5"	53	UL ¹ , NSF ²
ACCESSORIES										
356324Z	External Control Wiring Kit									
356197	Chemical/Salt/Ozone Resistant EPDM & SS Seal Quick Kit (for pumps Mfg. before June 2019)									

¹ 'UL' indicates that pump bears a UL mark signifying evaluation to U.S. Standards UL1081 for Permanently Connected Swimming Pool and Spa Pumps and to Canadian Standards CAN/CSA C22.2 No. 108-01 Liquid Pumps For Swimming Pools Only (Enclosure 3). UL 60730 Compliant.

² 'NSF' indicates that pump bears a mark signifying evaluation to NSF Standard 50 For Self-Priming Centrifugal Pumps For Swimming Pools Only.

³ Product may have been evaluated to other state and local regulatory standards. Listing status may change. Always confirm status with appropriate agency if in doubt.

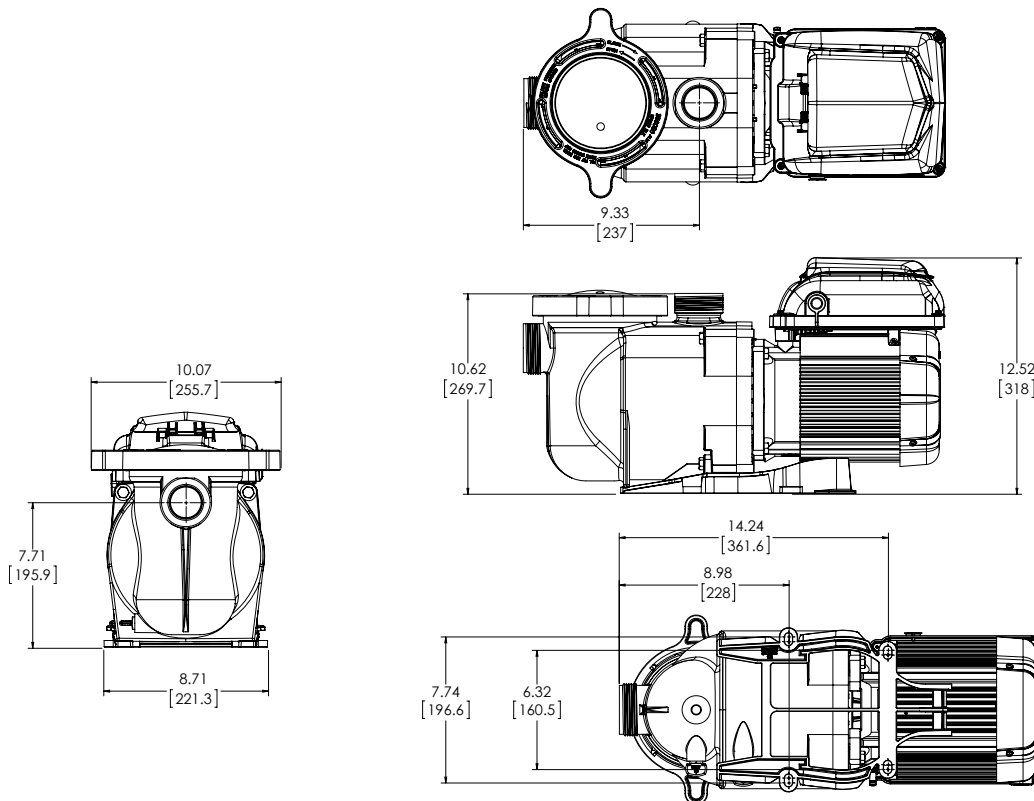
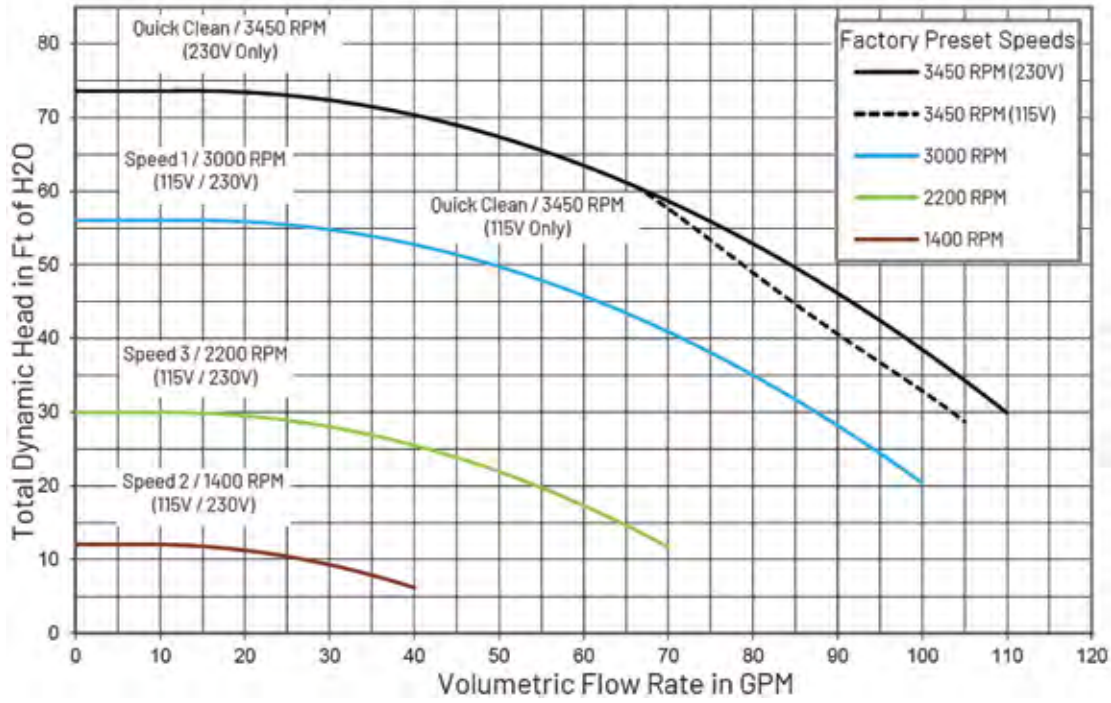
• Savings based on variable speed pump compared to a single-speed pump running 12 hours per day at an average of \$0.16 per kWh in a 20,000 gallon pool. Actual savings may vary based on local utility rates, pool size, pump run time, pump horsepower, pump rpm, plumbing size and length, pump model, service factor and other hydraulic factors.

* Hayward® and Super Pump® are registered trademarks of Hayward Industries, Inc.

See page 486–487 for replacement parts.

SUPERFLO® VST VARIABLE SPEED PUMP (CONT'D)

Dimensions and Performance



SUPERFLO®

HIGH PERFORMANCE PUMPS

TRADEGRADE



SuperFlo Pump

SuperFlo pumps feature thick walled body parts, a heavy-duty 56 square flange motor, and highly engineered hydraulics, SuperFlo pumps' silent running capability and small footprint allow it to easily drop into a compact equipment pad.

Featured Highlights

- SuperFlo pump by Pentair Aquatic Systems is a direct replacement for the Hayward® Super Pump® *
- Extremely quiet operation
- Unionized fittings included (1-1/2 in. internal slip and 2 in. external slip)
- Cam and Ramp™ Lid
- Heavy-duty, high service factor 56 square flange motor
- Integral volute and pot reduce hydraulic noise

Ordering Information

Product	Rated HP	THP	WEF	HHP	Service Factor	Voltage	Frequency	Current	Port Size	Weight	Certifications ³	Curve Key
DOE COMPLIANT SINGLE-SPEED TEFC												
348190	N/A	1.1	3.6	0.63	1.00	115/208-230	60	10.5/5.4-5.4	1.5" x 1.5"	50	UL ¹ , NSF ²	B
ENERGY EFFICIENT SINGLE-SPEED - NOT FOR SALE IN THE USA												
348021-INT	1/2	0.95	N/A	N/A	1.00	115/208-230	60	8.8/4.5-4.4	1.5" x 1.5"	44	UL ¹ , NSF ²	A
348022-INT	3/4	0.95	N/A	N/A	1.00	115/208-230	60	8.8/4.5-4.4	1.5" x 1.5"	44	UL ¹ , NSF ²	A
TEFC SINGLE-SPEED - NOT FOR SALE IN THE USA												
348144-INT	1	1.65	N/A	N/A	1.00	115/208-230	60	15.1/8.5-7.7	1.5" x 1.5"	50	UL ¹ , NSF ²	C
348145-INT	1-1/2	2.21	N/A	N/A	1.00	208-230	60	10.3-9.1	1.5" x 1.5"	53	UL ¹ , NSF ²	D
348146-INT	2	2.60	N/A	N/A	1.00	208-230	60	11.7-10.3	1.5" x 1.5"	58	UL ¹ , NSF ²	E
ENERGY EFFICIENT 50 HZ SINGLE-SPEED - NOT FOR SALE IN THE USA												
340094-INT	1/2	0.55	N/A	N/A	1.10	240/120	50	7.5/15.0	1.5" x 1.5"	45	—	—
340095-INT	3/4	0.83	N/A	N/A	1.10	240/120	50	7.5/15.0	1.5" x 1.5"	45	—	—
340096-INT	1	1.10	N/A	N/A	1.10	240/120	50	6.9/13.8	1.5" x 1.5"	52	—	—
340097-INT	1 1/2	1.65	N/A	N/A	1.10	240	50	7.2	1.5" x 1.5"	52	—	—
340098-INT	2	2.20	N/A	N/A	1.10	240	50	9.4	1.5" x 1.5"	55	—	—
ACCESSORIES												
351157	Union Kit – 1-1/2 in. Internal Slip x 2 in. External Slip (includes 2 unions as pictured above)											
356197	Chemical/Salt/Ozone Resistant EPDM & SS Seal Quick Kit											

¹ 'UL' indicates that pump bears a UL mark signifying evaluation to U.S. Standards UL1081 for Permanently Connected Swimming Pool and Spa Pumps and to Canadian Standards CAN/CSA C22.2 No. 108-01 Liquid Pumps For Swimming Pools Only (Enclosure 3).

² 'NSF' indicates that pump bears a mark signifying evaluation to NSF Standard 50 For Self-Priming Centrifugal Pumps For Swimming Pools Only.

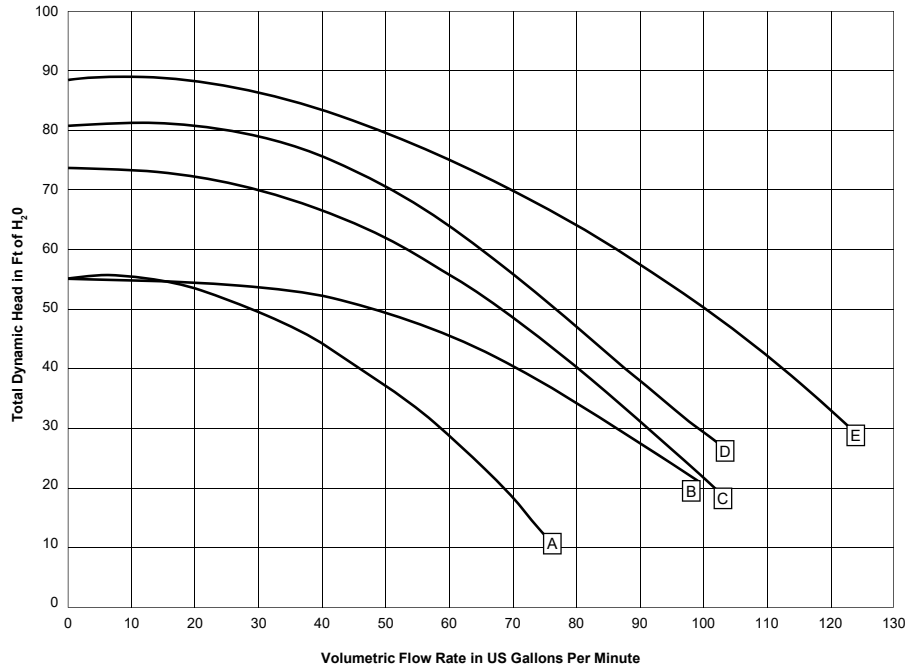
³ Product may have been evaluated to other state and local regulatory standards. Listing status may change. Always confirm status with appropriate agency if in doubt.

* Hayward® and Super Pump® are registered trademarks of Hayward Industries, Inc.

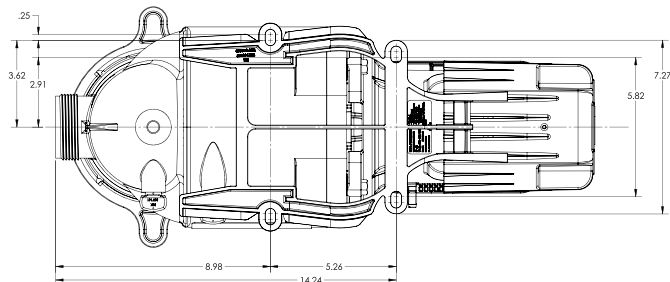
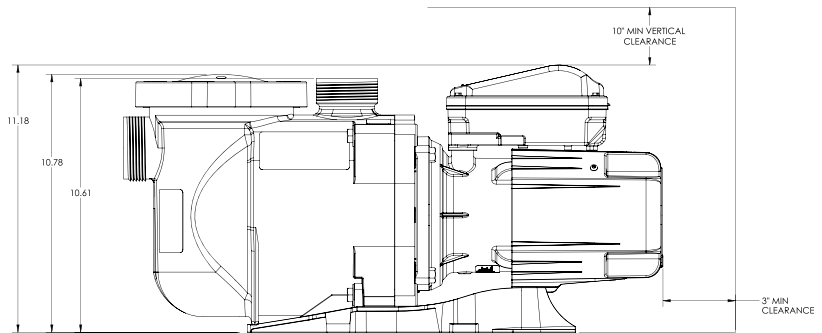
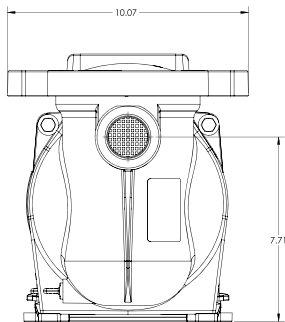
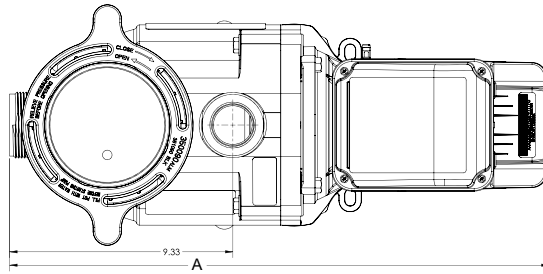
SUPERFLO®

HIGH PERFORMANCE PUMPS (CONT'D)

Dimensions and Performance



A- VARYING LENGTH			
HP	EE	TEFC	DOE Compliant
0.5	24.64	—	—
0.75	24.64	—	—
1	—	22	—
1.1	—	—	22.55
1.5	—	22.45	—
2	—	22.9	—



CALIFORNIA PROPOSITION 65 WARNING

⚠ **WARNING:** Cancer and Reproductive Harm.
 ⚠ **AVERTISSEMENT:** Peut Causer le Cancer et des Dommages au Système Reproducteur.
 ⚠ **ADVERTENCIA:** Cáncer y Daño Reproductivo.

www.p65warnings.ca.gov. PH201914

See page 490–491 for replacement parts.

INTELLIPROXF[®] VSF

VARIABLE SPEED AND FLOW PUMP



TRADEGRADE



IntelliProXF VSF Pump

Patent Information: www.pentair.com/patents

Featured Highlights

- Eight programmable speed or flow settings and built-in timer
- Rotatable keypad with optional wall mount kit (sold separately)
- Top-mounted field wiring compartment is easier to access and connect
- Totally enclosed fan-cooled design keeps motor shielded from the elements for extended life
- Menus are easier than ever to use
- Union connectors included for connecting directly to 2.5" or 3" plumbing
- Maintains system flow requirements
- Compatible with Pentair Automation

The IntelliPro VSF pump family is the first variable speed and flow pump that adjusts to changes in flow system conditions to maintain its programmed flow rate. With its available performance and efficiency, it is perfectly suited for large and feature rich pools with high flow demand.

Ordering Information

Product	Description	THP	WEF	HHP	Service Factor	Voltage	Frequency	Current	Port Size	Weight	Certifications ³
INTELLIPROXF VSF VARIABLE SPEED AND FLOW PUMP											
023056	IntelliProXF VSF	3.95	5.6	2.10	1.0	230	50/60	16.0	2" x 2"	60	UL ¹ , NSF ²
ACCESSORIES											
400012	XF Riser Base - Simplifies installation of XF-series pumps in applications where Challenger pumps are being replaced.										
521109	IntelliCom 2 - Rated 9 - 30 V DC with 4 inputs									1	
350122	Communication Cable - 50 ft. - Included with pump									2	
356905Z	Keypad Relocation Kit									1	

¹ 'UL' indicates that pump bears a UL mark signifying evaluation to U.S. Standards UL1081 for Permanently Connected Swimming Pool and Spa Pumps and to Canadian Standards CAN/CSA C22.2 No. 108-01 Liquid Pumps For Swimming Pools Only (Enclosure 3).

² 'NSF' indicates that pump bears a mark signifying evaluation to NSF Standard 50 For Self-Priming Centrifugal Pumps For Swimming Pools Only.

³ Product may have been evaluated to other state and local regulatory standards. Listing status may change. Always confirm status with appropriate agency if in doubt.

Refer to catalog page 58 for a selection of 2-Pole GFCI breakers which offer 6 milliamp personnel protection while meeting 2008 to current NEC Standards for Pool Pumps.

CALIFORNIA PROPOSITION 65 WARNING

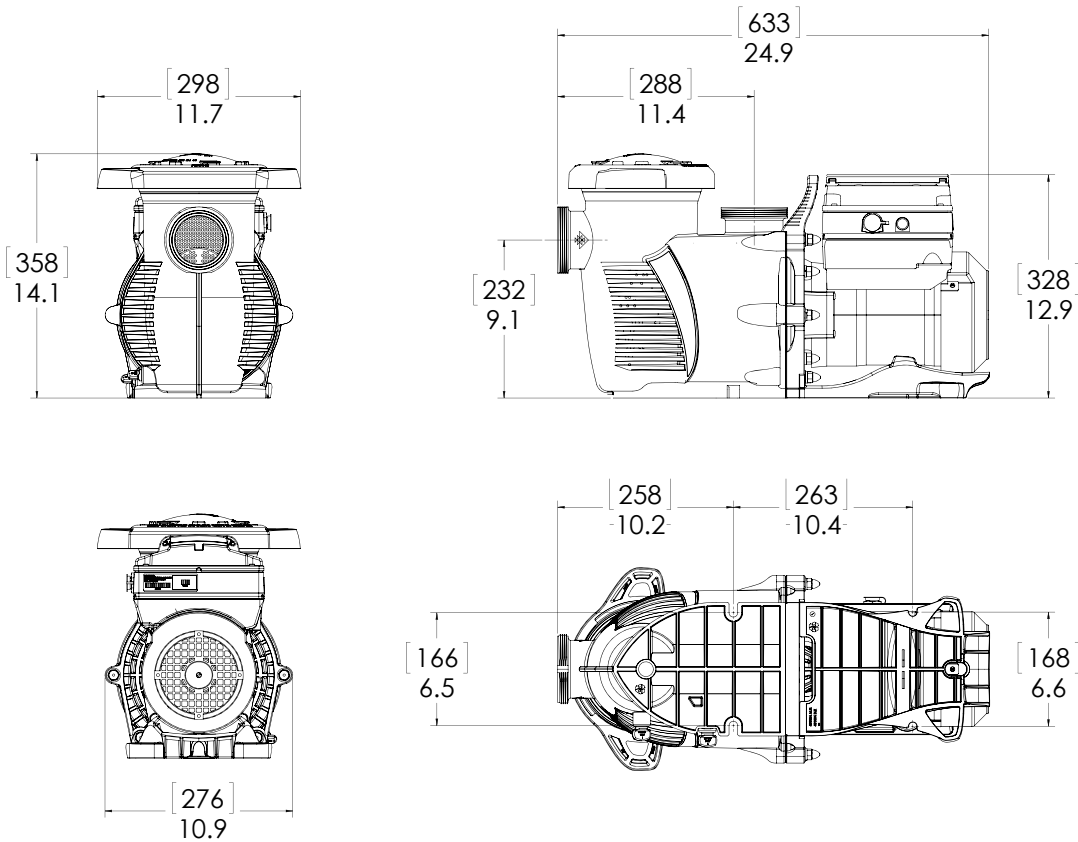
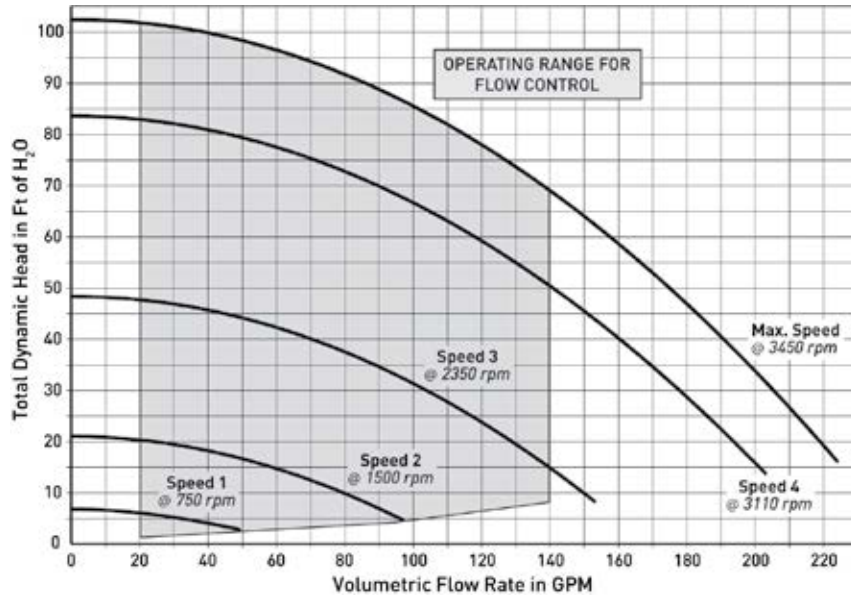
WARNING: Cancer and Reproductive Harm.
AVERTISSEMENT: Peut Causer le Cancer et des Dommages au Système Reproducteur.
ADVERTENCIA: Cáncer y Daño Reproductivo.

www.p65warnings.ca.gov
PH 201714

INTELLIPROXF[®] VSF

VARIABLE SPEED AND FLOW PUMP (CONT'D)

Dimensions and Performance



See page 492 for replacement parts.

INTELLIPRO® VSF

VARIABLE SPEED AND FLOW PUMP



TRADEGRADE



IntelliPro VSF Pump



Featured Highlights

- Eight programmable speed or flow settings and built-in timer
- Rotatable keypad with optional wall mount kit (sold separately)
- Top-mounted field wiring compartment is easier to access and connect
- Totally enclosed fan-cooled design for increased performance and long life
- Menus are easier than ever to use
- Helps maintain system flow requirements
- Compatible with Pentair Automation

Patent Information: www.pentair.com/patents

The IntelliPro VSF pump family is the first variable speed and flow pump that adjusts to changes in flow conditions to maintain its preprogrammed flow rate to run optimally throughout the entire filtration cycle. It's like having cruise control for your pump.

Ordering Information

Product	Description	THP	WEF	HHP	Service Factor	Voltage	Frequency	Current	Port Size	Weight	Certifications ³
INTELLIPRO VSF VARIABLE SPEED AND FLOW PUMP											
013004	IntelliPro VSF	3.95	6.6	2.10	1.0	230	50/60	16.0	2" x 2"	53	UL ¹ , NSF ²
ACCESSORIES											
521109	IntelliCom 2 - Rated 9 - 30 V DC with 4 inputs										1
350122	Communication Cable - 50 ft. - Included with pump										2
356905Z	Keypad Relocation Kit										2
356196	Chemical/Salt/Ozone Resistant EPDM & SS Seal Quick Kit										1

¹ 'UL' indicates that pump bears a specific UL mark signifying evaluation to U.S. Standards UL1081 for Permanently Connected Swimming Pool and Spa Pumps and to Canadian Standards CAN/CSA C22.2 No. 108-01 Liquid Pumps For Swimming Pools Only (Enclosure 3).

² 'NSF' indicates that pump bears a mark signifying evaluation to NSF Standard 50 For Self-Priming Centrifugal Pumps For Swimming Pools Only.

³ Product may have been evaluated to other state and local regulatory standards. Listing status may change. Always confirm status with appropriate agency if in doubt.

Refer to catalog page 58 for a selection of 2-Pole GFCI breakers which offer 6 milliamp personnel protection while meeting NEC 2008 Standards for Pool Pumps.

CALIFORNIA PROPOSITION 65 WARNING

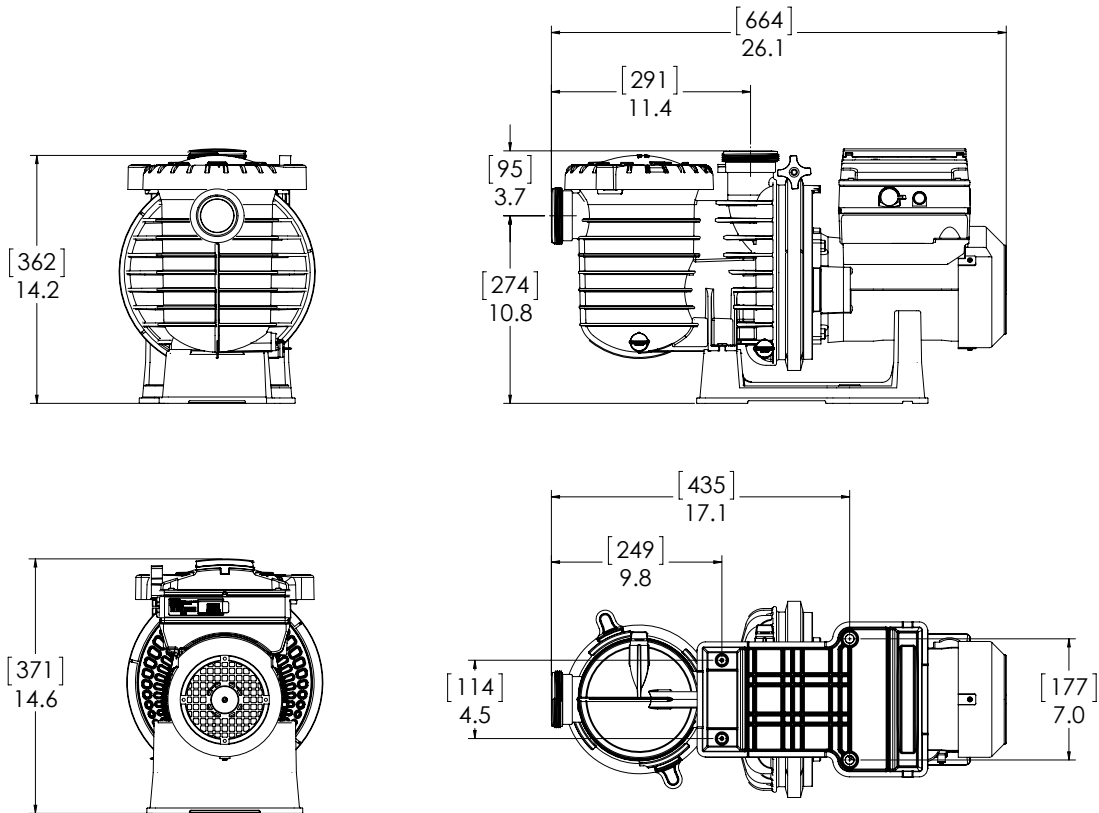
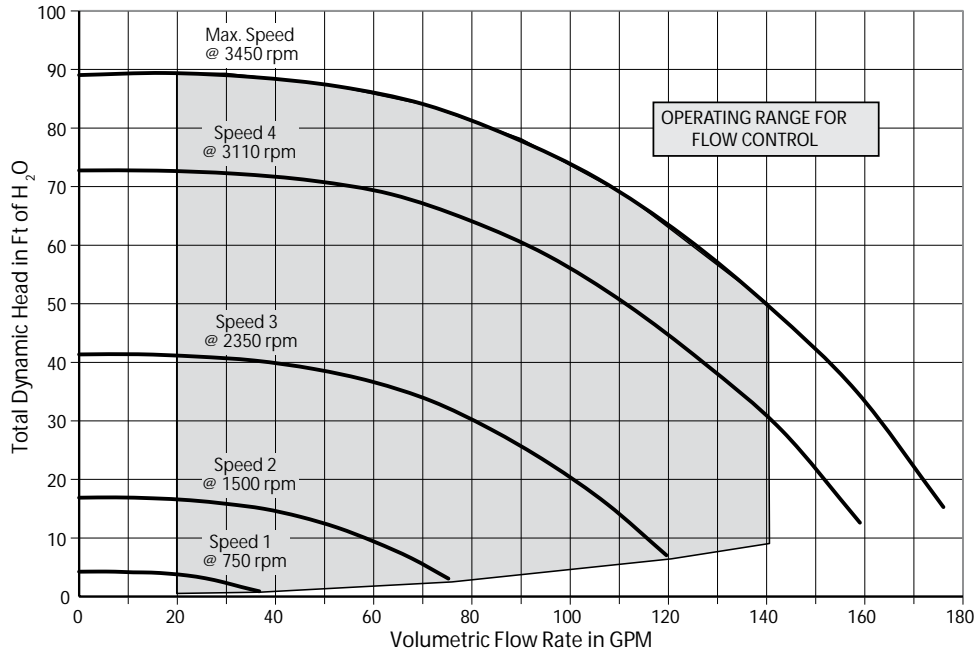
▲ **WARNING:** Cancer and Reproductive Harm.
▲ **AVERTISSEMENT:** Peut Causer le Cancer et des Dommages au Système Reproducteur.
▲ **ADVERTENCIA:** Cáncer y Daño Reproductivo.

www.p65warnings.ca.gov
PR62017A

INTELLIPRO® VSF

VARIABLE SPEED AND FLOW PUMP (CONT'D)

Dimensions and Performance



See page 494 for replacement parts.

INTELLIPRO® VS+SVRS

HIGH PERFORMANCE PUMPS



IntelliPro VS+SVRS
Variable Speed Pump

Patent Information: www.pentair.com/patents

IntelliPro pumps combine variable speed technology, onboard digital intelligence and permanent magnet motors (used in hybrid cars) to reduce pump-related energy costs by up to 90%. The IntelliPro VS+SVRS pump models were the first swimming pool pumps to feature a built-in Safety Vacuum Release System that detects drain blockage and automatically shuts the pump off.

CALIFORNIA PROPOSITION 65 WARNING

⚠️ **WARNING:** Cancer and Reproductive Harm.
 ⚠️ **AVERTISSEMENT:** Peut Causer le Cancer et des Dommages au Système Reproducteur.
 ⚠️ **ADVERTENCIA:** Cáncer y Daño Reproductivo.
www.p65warnings.ca.gov PA 201214

Featured Highlights

- Ability to program exact pump speeds for specific operations – filtering, heating, cleaning, spa jets, water features and more
- SVRS complies with Virginia Graeme Baker Safety Act
- Built-in diagnostics helps protect the IntelliPro pump from the most common causes of premature failure – overheating, freezing, and voltage irregularities.
- Includes priming protection. No SVRS calibrations needed. Built-in SVRS cannot be turned off.
- Safety lock-out feature (password protected) prevents pump speed settings from being changed by unauthorized personnel
- Ability to set minimum and maximum speeds so pump will only operate within the ranges set to help assure suitable operation for a longer life
- Compatible with Pentair Automation Systems
- Compliant with the current ASME A112.19.17 standard for Safety Vacuum Release Systems (SVRS)

Ordering Information

Product	Description	THP	WEF	HHP	Service Factor	Voltage	Frequency	Current	Port Size	Weight	Certifications ³
INTELLIPRO VS+ SVRS VARIABLE SPEED WITH SAFETY VACUUM RELEASE SYSTEM											
013004	IntelliPro VSF	3.95	6.6	2.10	1.0	230	50/60	16.0	2" x 2"	53	UL ¹ , NSF ²
ACCESSORIES											
521109	IntelliCom 2 - Rated 9 - 30 V DC with 4 inputs										1
350122	Communication Cable - 50 ft. - Included with pump										2
350250Z	SVRS KIT - Allows use of discharge check valves with SVRS pump										1
356905Z	Optional Keypad Wall Mount Kit										
356196	Chemical/Salt/Ozone Resistant EPDM & SS Seal Quick Kit										1
UNIONS											
11201-0154	2 in. x 2 in. Union (2 in. NPT male x 2 in. female NPT quick connect)										* Note: two required per pump (sold individually) 2

¹ 'UL' indicates that pump bears a UL mark signifying evaluation to U.S. Standards UL1081 for Permanently Connected Swimming Pool and Spa Pumps and to Canadian Standards CAN/CSA C22.2 No. 108-01 Liquid Pumps For Swimming Pools Only (Enclosure 3).

² 'NSF' indicates that pump bears a mark signifying evaluation to NSF Standard 50 For Self-Priming Centrifugal Pumps For Swimming Pools Only.

³ Product may have been evaluated to other state and local regulatory standards. Listing status may change. Always confirm status with appropriate agency if in doubt.

Note: Pump must be used with current collectors when installed on spas or hot tubs in Canada.

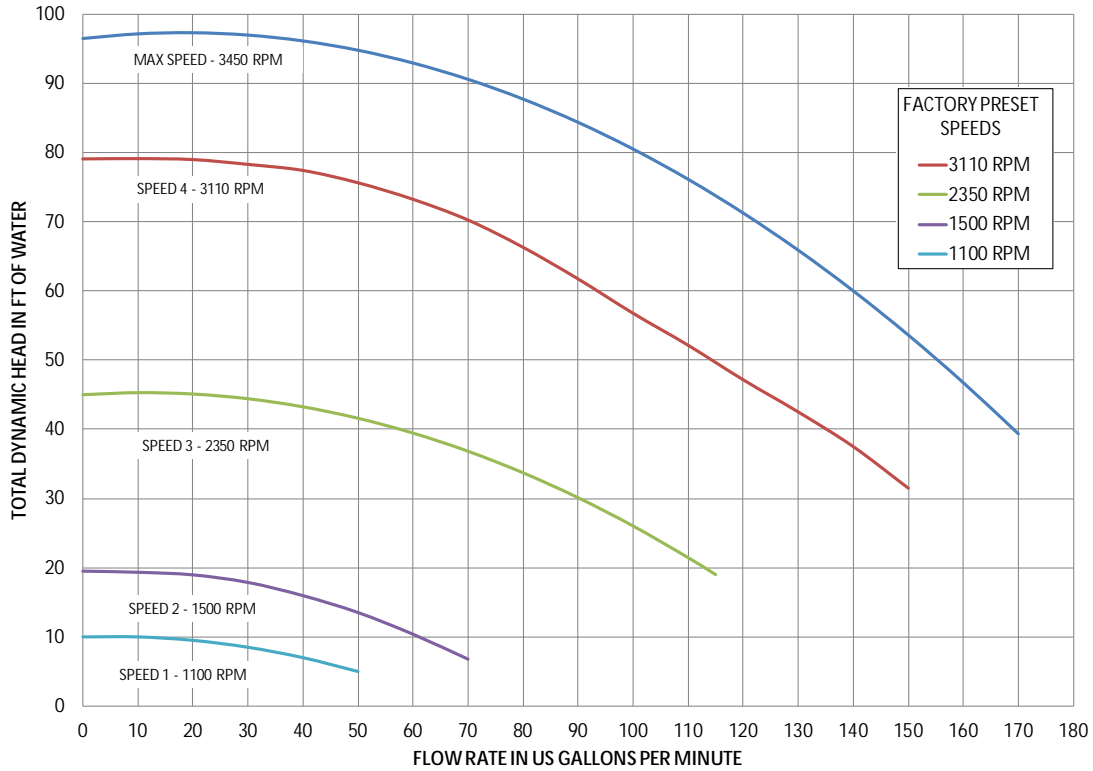
Refer to catalog page 58 for a selection of 2-Pole GFCI breakers which offer 6 milliamp personnel protection while meeting 2008 to Current NEC Standards for Pool Pumps.

• Savings based on variable speed pump compared to a single-speed pump running 12 hours per day at an average of \$0.16 per kWh in a 20,000 gallon pool. Actual savings may vary based on local utility rates, pool size, pump run time, pump horsepower, pump rpm, plumbing size and length, pump model, service factor and other hydraulic factors

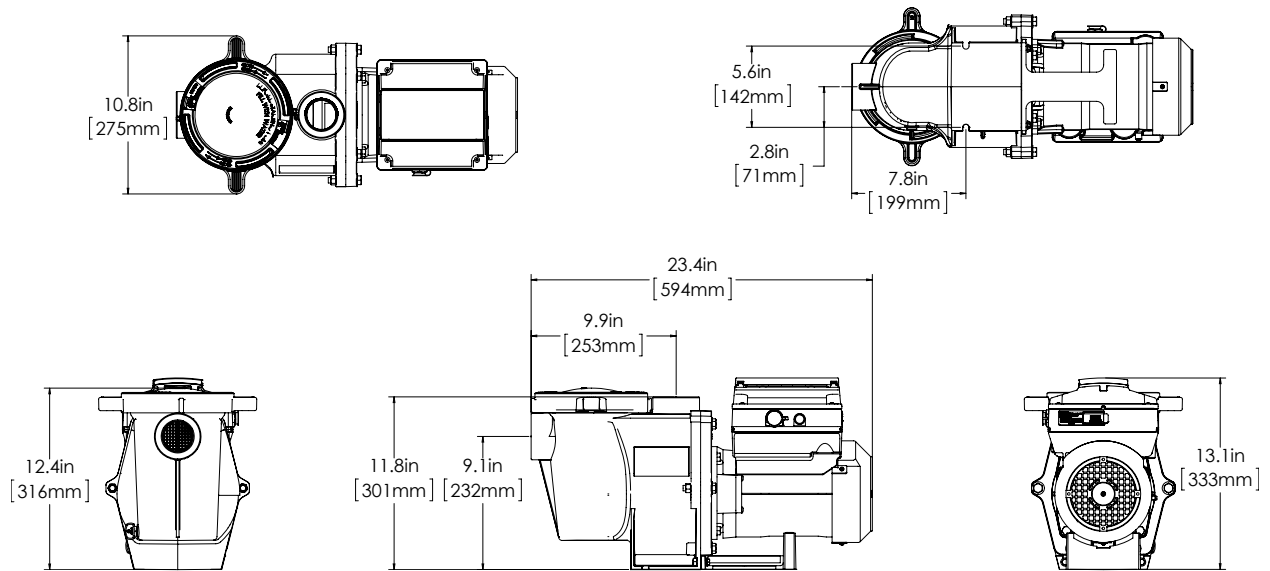
INTELLIPRO® VS+SVRS

HIGH PERFORMANCE PUMPS (CONT'D)

Dimensions and Performance



* IntelliPro VS+SVRS minimum speed is 1100 RPM



See page 496 for replacement parts.

MAX-E-PROXF[®]

HIGH PERFORMANCE PUMPS



TRADEGRADE



Max-E-ProXF Pump shown with TEFC Motor

Developed using the most advanced engineering tools available - CFD (Computational Fluid Dynamics) and FEA (Finite Element Analysis). The impeller design delivers high level of precision concentricity for increased efficiency.

Featured Highlights

- Drop-in replacement for all Max-E-Pro[®] Pump models. Simple replacement for Challenger[®] Pumps *
- Hydraulic isolator separates priming water from pumping water for faster priming, more turbulent-free flow and increased efficiency
- Union connectors included for connecting directly to 2.5 in. or 3 in. plumbing
- Extra large, robust basket with smooth surface for easy debris removal
- Easy-carry handle; easily removable ergonomic lock ring; and see-through lid for easy basket inspection
- Three Phase XF pumps are compatible with Pentair's Acu Drive XS VFD's
- Optional riser base for Challenger pump replacements, part #400012 available separately

Ordering Information

Product	Rated HP	THP	WEF	HHP	Service Factor	Voltage	Frequency	Current	Port Size	Weight	Certifications ³	Curve Key
COMMERCIAL SINGLE-SPEED TEFC												
023034	5	5	N/A	N/A	1.00	208-230	60	20.0-18.8	2.5" x 2.5" or 3" x 3"	67	UL ¹ , NSF ²	C
TEFC SINGLE-SPEED - NOT FOR SALE IN THE USA												
023032-INT	2	2.60	N/A	N/A	1.30	208-230	60	11.1-9.5	2.5" x 2.5" or 3" x 3"	57	UL ¹ , NSF ²	B
023033-INT	3	3.45	N/A	N/A	1.15	208-230	60	14.6-12.7	2.5" x 2.5" or 3" x 3"	61	UL ¹ , NSF ²	A
THREE-PHASE SUPER-DUTY												
023017	2	2.6	N/A	N/A	1.30	208-230/460	60	7.5-7.2/3.6	2.5" x 2.5" or 3" x 3"	60	UL ¹ , NSF ²	I
023018	3	3.25	N/A	N/A	1.15	208-230/460	60	9.8-9.4/4.7	2.5" x 2.5" or 3" x 3"	60	UL ¹ , NSF ²	H
023019	5	5.00	N/A	N/A	1.00	208-230/460	60	13.9-13.1/6.6	2.5" x 2.5" or 3" x 3"	72	UL ¹ , NSF ²	G
ACCESSORIES												
400012	XF Riser Base - Simplifies installation of XF-series pumps in applications where Challenger pumps are being replaced.											

¹ 'UL' indicates that pump bears a UL mark signifying evaluation to U.S. Standards UL1081 for Permanently Connected Swimming Pool and Spa Pumps and to Canadian Standards CAN/CSA C22.2 No. 108-01 Liquid Pumps For Swimming Pools Only (Enclosure 3).

² 'NSF' indicates that pump bears a mark signifying evaluation to NSF Standard 50 For Self-Priming Centrifugal Pumps For Swimming Pools, Spas and Hot Tubs.

³ Product may have been evaluated to other state and local regulatory standards. Listing status may change. Always confirm status with appropriate agency if in doubt.

CALIFORNIA PROPOSITION 65 WARNING

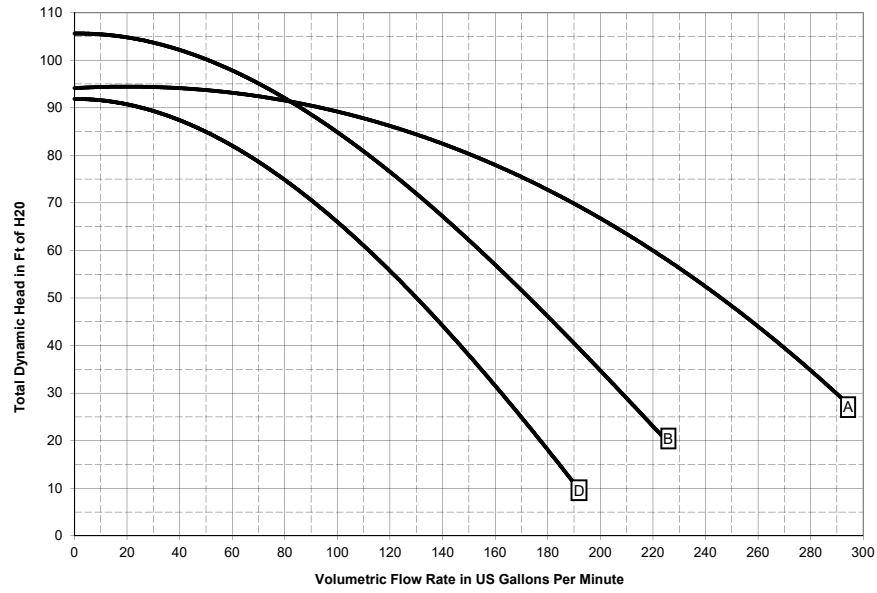
WARNING: Cancer and Reproductive Harm.
AVERTISSEMENT: Peut Causer le Cancer et des Dommages au Système Reproducteur.
ADVERTENCIA: Cáncer y Daño Reproductivo.
www.p65warnings.ca.gov

PN 20171A

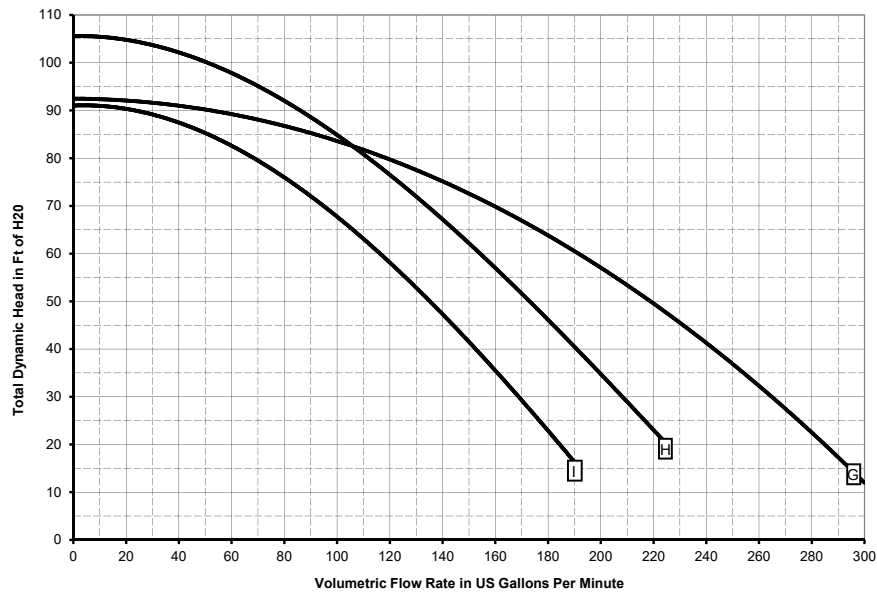
MAX-E-PROXF[®]

HIGH PERFORMANCE PUMPS (CONT'D)

1 & 2-Speed
Performance
Curve

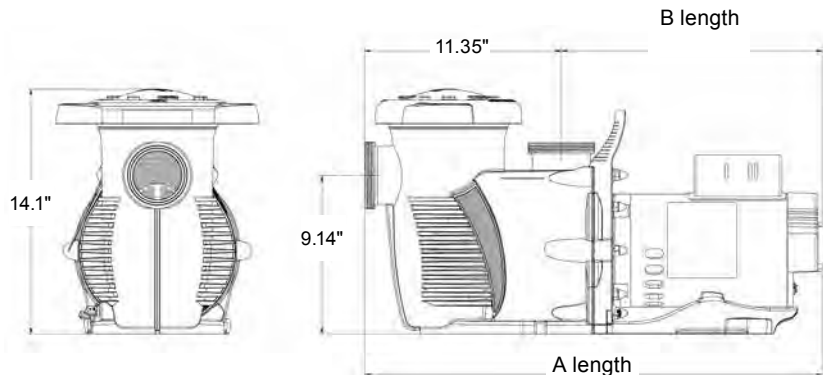


3 Phase
Performance
Curve



B-VARYING LENGTH		
HP	TEFC	3-PH
2	13.05	12.35
3	13.65	13.05

A-VARYING LENGTH		
HP	TEFC	3-PH
2	24.4	23.7
3	25	24.4



See page 498–499 for replacement parts.

MAX-E-PRO®

HIGH-EFFICIENCY POOL/SPA PUMPS



TRADEGRADE



Max-E-Pro Pump shown with TEFC Motor

CALIFORNIA PROPOSITION 65 WARNING
 ⚠️ **WARNING:** Cancer and Reproductive Harm.
 ⚠️ **AVERTISSEMENT:** Peut Causer le Cancer et des Dommages au Système Reproducteur.
 ⚠️ **ADVERTENCIA:** Cáncer y Daño Reproductivo.
 www.p65warnings.ca.gov. PN2015A

Featured Highlights

- Typical Installation – Inground pools, pool/spa combinations, inground spas, fountains and water features
- Easy-to-Install – 2 in. ports include external and internal threads for more plumbing options
- Efficient Hydraulic Design – Moves larger volumes of water, resulting in lower operating costs
- Impeller Manufactured with PPO Resin – Withstands the toughest water environments
- EDPM Rubber Shaft Seal – Longer-lasting seal stands up to the harshest environments
- Self-lubricating Lid O-ring – Does not require lubricant

P6 & 5P6R SERIES – High efficiency, low maintenance and maximum performance—all the features demanded by today’s pool professionals. The Max-E-Pro pump has our new Quick-Lock™ Trap Cover Ring and the 2 in. ports incorporate internal and external threads. Available in single- and two-speed models, with ratings from 1/2 to 3 HP. **Built with quality construction** using a durable one-piece pump housing constructed of industry leading glass-reinforced composite resin. **Fast cleaning** with a new Quick-Lock trap cover ring permits fast access to strainer basket. Large see-through lid makes it simple to check for debris. A **strong, sturdy**, specially-designed base dampens sound and vibration, making the Max-E-Pro pump one of the quietest pumps in its class.

Ordering Information

Product	Rated HP	THP	WEF	HHP	Service Factor	Voltage	Frequency	Current	Port Size	Weight	Certifications ³	Curve Key
DOE COMPLIANT SINGLE-SPEED TEFC												
348185	N/A	1.1	3.5	0.65	1.00	115/208-230	60	10.5/5.4-5.4	2" x 2"	50	UL ¹ , NSF ²	B
ENERGY EFFICIENT SINGLE-SPEED - NOT FOR SALE IN THE USA												
P6E6C-204L-INT	1/2	0.95	N/A	N/A	1.00	115/208-230	60	11/5.5	2" x 2"	44	UL ¹ , NSF ²	A
P6E6D-205L-INT	3/4	1.25	N/A	N/A	1.00	115/208-230	60	13.8/6.9	2" x 2"	44	UL ¹ , NSF ²	C
TEFC SINGLE-SPEED - NOT FOR SALE IN THE USA												
348150-INT	1	1.65	N/A	N/A	1.00	115/208-230	60	15.1/8.5-7.7	2" x 2"	50	UL ¹ , NSF ²	D
348151-INT	1-1/2	2.21	N/A	N/A	1.00	208-230	60	10.3-9.1	2" x 2"	53	UL ¹ , NSF ²	E
348152-INT	2	2.60	N/A	N/A	1.00	208-230	60	11.7-10.3	2" x 2"	58	UL ¹ , NSF ²	F
348153-INT	3	3.45	N/A	N/A	1.00	208-230	60	14.6-12.7	2" x 2"	62	UL ¹ , NSF ²	G
ENERGY EFFICIENT 50 HZ SINGLE-SPEED - NOT FOR SALE IN THE USA												
5P6R6D-209-INT	1/2	0.55	N/A	N/A	1.10	240/120	50	12.6/6.1	2" x 2"	45	—	I
5P6R6E-210-INT	3/4	0.83	N/A	N/A	1.10	240/120	50	15.4/7.7	2" x 2"	45	—	J
5P6R6F-211-INT	1	1.10	N/A	N/A	1.10	240/120	50	19.4/9.7	2" x 2"	52	—	K
5P6R6G-212-INT	1-1/2	1.65	N/A	N/A	1.10	240	50	10.5	2" x 2"	52	—	L
5P6R6H-213-INT	2	2.20	N/A	N/A	1.10	240	50	13.9	2" x 2"	55	—	M

MAX-E-PRO®

HIGH-EFFICIENCY POOL/SPA PUMPS (CONT'D)

Ordering Information

Product	Rated HP	THP	WEF	HHP	Service Factor	Voltage	Frequency	Current	Port Size	Weight	Certifications ³	Curve Key
THREE-PHASE SUPER-DUTY												
345076	1	1.65	*	*	1.65	208-230/460	60	4.9-4.5/2.3	2" x 2"	41	UL ¹ , NSF ²	D
345077	1-1/2	2.21	*	*	1.47	208-230/460	60	6.4-6.3/3.2	2" x 2"	43	UL ¹ , NSF ²	E
345078	2	2.60	*	*	1.30	208-230/460	60	7.5-7.2/3.6	2" x 2"	47	UL ¹ , NSF ²	F
345079	3	3.45	*	*	1.15	208-230/460	60	9.8-9.4/4.7	2" x 2"	52	UL ¹ , NSF ²	G
THREE-PHASE SINGLE-SPEED - HIGH VOLTAGE APPLICATIONS												
P6EA6D36-204	3/4	1.12	*	*	1.50	575	60	1.2	2" x 2"	37	NSF ²	C
P6EA6E36-205	1	1.4	*	*	1.40	575	60	1.5	2" x 2"	40	NSF ²	D
P6EA6F36-206	1-1/2	1.65	*	*	1.10	575	60	1.9	2" x 2"	41	NSF ²	E
P6EA6G36-207	2	2	*	*	1.00	575	60	3.2	2" x 2"	45	NSF ²	F
P6E6H36-209	3	3.45	*	*	1.15	575	60	3.9	2" x 2"	52	NSF ²	G
THREE-PHASE 50 HZ SINGLE-SPEED - NOT FOR SALE IN THE USA												
5P6R6D3-209-INT	3/4	0.95	N/A	N/A	1.27	220-240/380-415	50	3.6/2.1	2" x 2"	38	—	I
5P6R6E3-210-INT	1	1.25	N/A	N/A	1.25	220-240/380-415	50	4.0/2.3	2" x 2"	40	—	J
5P6R6F3-211-INT	1-1/2	1.65	N/A	N/A	1.10	220-240/380-415	50	5.2/3.0	2" x 2"	47	—	K
5P6R6G3-212-INT	2	2.2	N/A	N/A	1.10	220-240/380-415	50	6.6/3.8	2" x 2"	49	—	L
5P6R6H3-213-INT	3	3	N/A	N/A	1.10	220-240/380-415	50	8.0/4.7	2" x 2"	58	—	M
ACCESSORIES												
77703-0100	2 in. Union Half x 1-1/2 in. FPT – Package Of Two											
77703-0101	2 in. Union Half x 1-1/2 in. Slip – Package Of Two											
PKG 188Z	2 in. Union Half x 2 in. Slip – Package Of Two											
PKG 189	2 in. Union Half x 2 in. FPT – Package Of Two											
356196	Chemical/Salt/Ozone Resistant EPDM & SS Seal Quick Kit											

¹ 'UL' indicates that pump bears a specific UL mark signifying evaluation to U.S. Standards UL1081 for Permanently Connected Swimming Pool and Spa Pumps and to Canadian Standards CAN/CSA C22.2 No. 108-01 Liquid Pumps For Swimming Pools And Spas. (Enclosure 3).

² 'NSF' indicates that pump bears a mark signifying evaluation to NSF Standard 50 For Self-Priming Centrifugal Pumps For Swimming Pools, Spas and Hot Tubs.

³ Product may have been evaluated to other state and local regulatory standards. Listing status may change. Always confirm status with appropriate agency if in doubt.

* WEF and HHP values will be updated at a date TBD. For product specific requests contact Pentair.

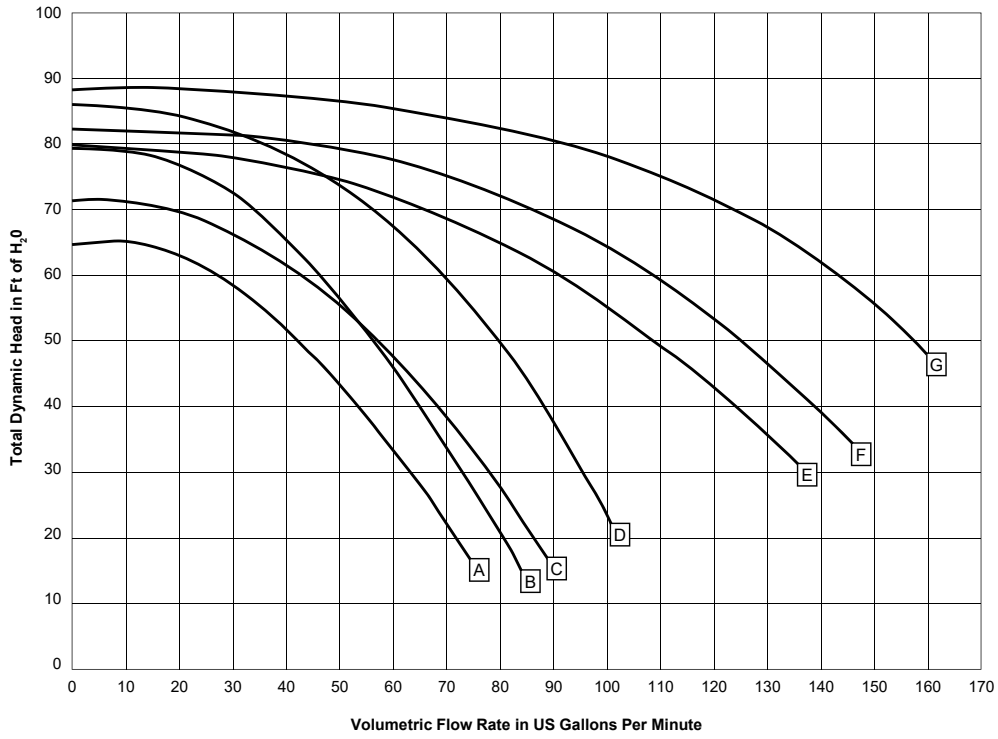
See page 500–502 for replacement parts.

MAX-E-PRO[®]

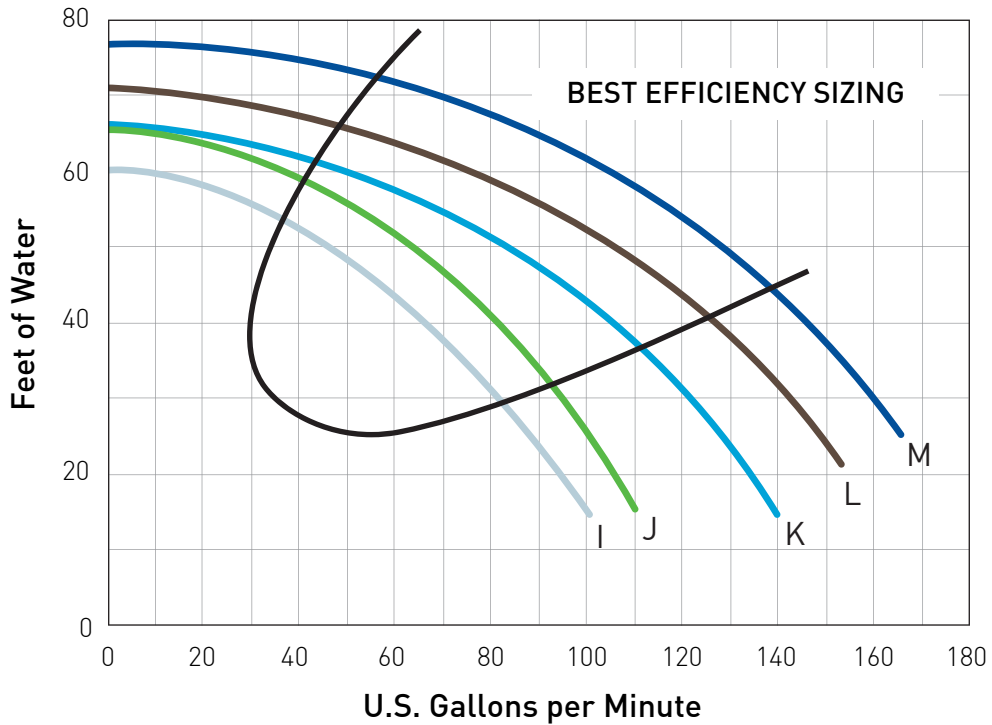
HIGH-EFFICIENCY POOL/SPA PUMPS (CONT'D)

Dimensions and Performance

60 Hz Performance Curve

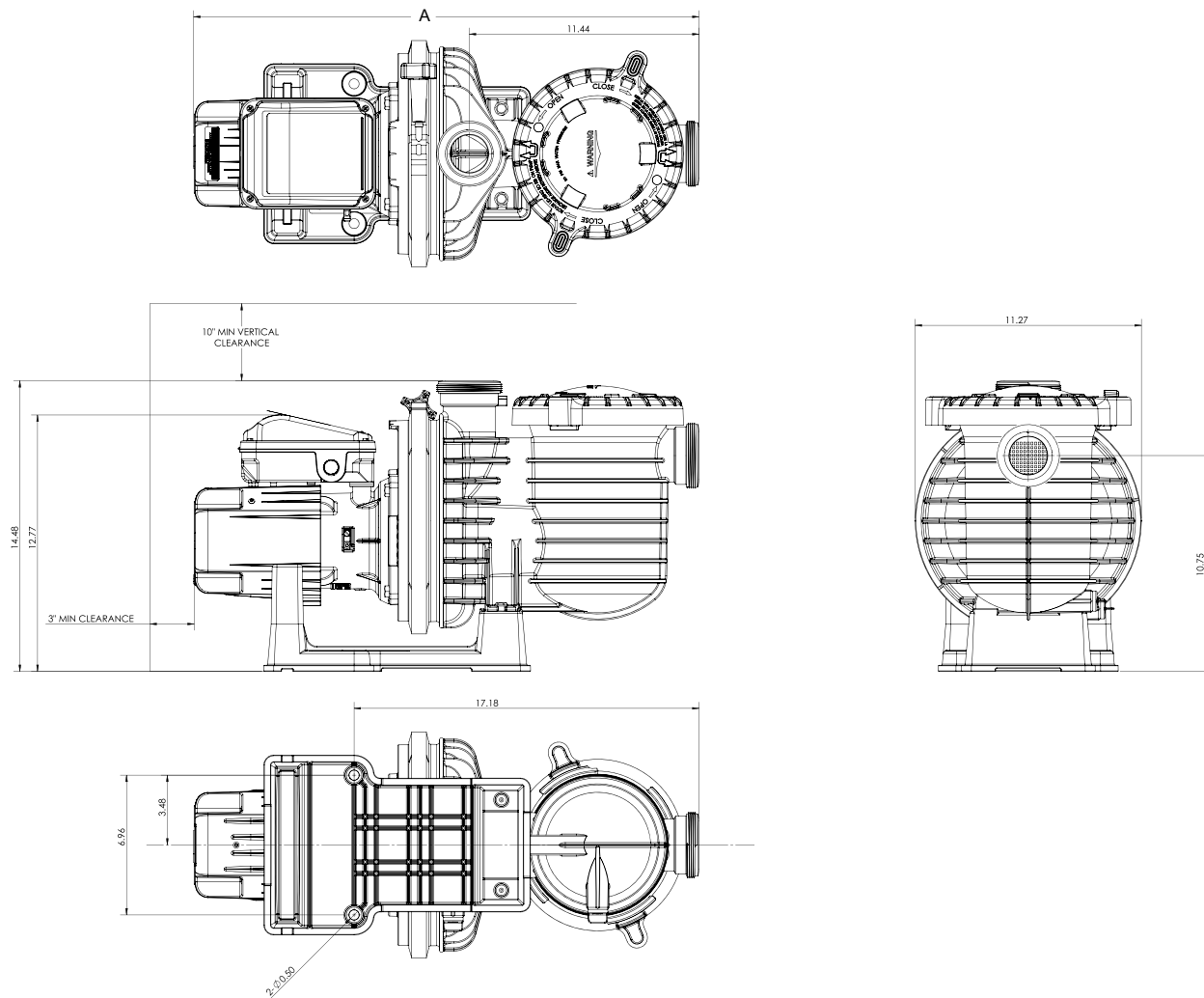


50 Hz Performance Curve



MAX-E-PRO®

HIGH-EFFICIENCY POOL/SPA PUMPS (CONT'D)



A- VARYING LENGTH					
HP	STD EFF	EE	1PH TEFC	3PH	DOE COMPLIANT
0.5	26.92	—	—	—	—
0.75	26.92	—	—	—	—
1	27.29	28.45	25.03	24.76	—
1.1	—	—	—	—	25.18
1.5	28.92	28.45	25.48	24.76	—
2	28.92	29.08	25.93	25.17	—
3	28.92	29.08	26.53	25.87	—

SUPERMAX® VS

VARIABLE SPEED PUMPS



TRADEGRADE



SuperMax VS
Variable Speed Pump

Featured Highlights

- Variable speed technology provides energy & costs savings.
- Ideal for standard pools requiring up to 1.5 hp pump
- 110/230V and 50/60 Hz capability
- Real-time clock with 24-hour memory retention
- Simple, intuitive user interface is easy to program and operate
- Easy to access electrical connections for simple installation
- Three operating speed settings plus override capability
- SuperMax pump by Pentair Aquatic Systems is a direct replacement for the Hayward® Super Pump® *

For pool owners who want to step-up to the energy and cost savings of variable speed technology, the SuperMax VS pump is the wise choice. SuperMax VS pump is engineered for easy installation, simple operation, and trouble-free service.

Ordering Information

Product	THP	WEF	HHP	Service Factor	Voltage	Frequency	Current	Port Size	Weight	Certifications ³
SUPERMAX VS VARIABLE SPEED										
343001	2.2	9.0	1.08	1.0	115/208-230	50/60	13.6/8.0-7.1	1.5" x 1.5"	53	UL ¹ , NSF ²
ACCESSORIES										
356324Z	External Control Wiring Kit									
356197	Chemical/Salt/Ozone Resistant EPDM & SS Seal Quick Kit (for pumps Mfg. before June 2019)								1	

¹ 'UL' indicates that pump bears a UL mark signifying evaluation to U.S. Standards UL1081 for Permanently Connected Swimming Pool and Spa Pumps and to Canadian Standards CAN/CSA C22.2 No. 108-01 Liquid Pumps For Swimming Pools Only (Enclosure 3). UL 60730 Compliant.

² 'NSF' indicates that pump bears a mark signifying evaluation to NSF Standard 50 For Self-Priming Centrifugal Pumps For Swimming Pools Only.

³ Product may have been evaluated to other state and local regulatory standards. Listing status may change. Always confirm status with appropriate agency if in doubt.

* Hayward® and Super Pump® are registered trademarks of Hayward Industries, Inc.

CALIFORNIA PROPOSITION 65 WARNING

⚠ **WARNING:** Cancer and Reproductive Harm.

⚠ **AVERTISSEMENT:** Peut Causer le Cancer et des Dommages au Système Reproducteur.

⚠ **ADVERTENCIA:** Cáncer y Daño Reproductivo.

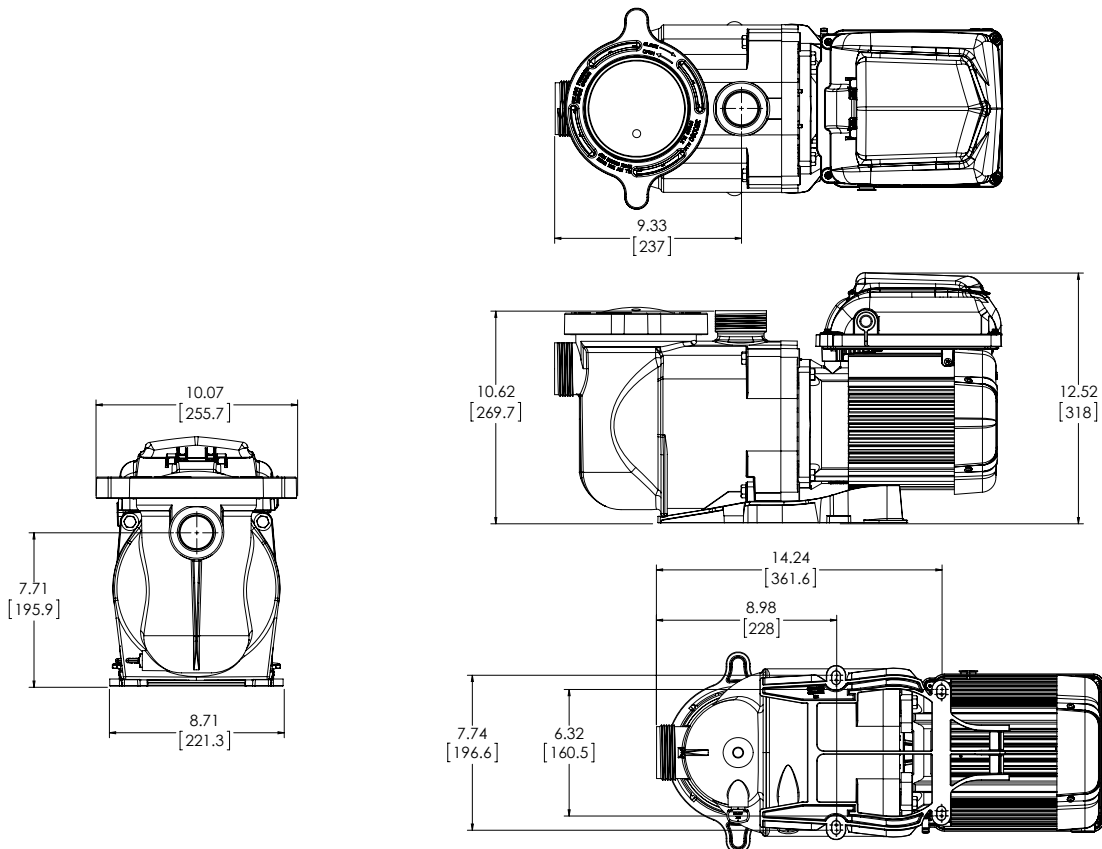
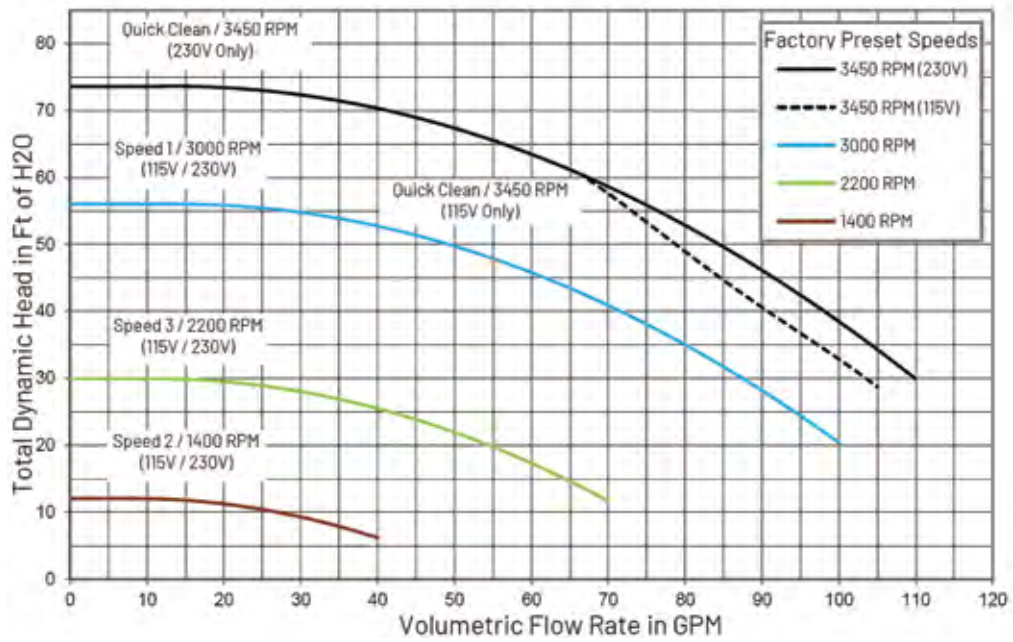
www.p65warnings.ca.gov

PH201714

SUPERMAX® VS

VARIABLE SPEED PUMPS (CONT'D)

Dimensions and Performance



See page 486–487 for replacement parts.

SUPERMAX®

HIGH PERFORMANCE PUMPS



TRADEGRADE



SuperMax Pump
shown with TEFC Motor

The SuperMax pump features a commercial grade, 56 square flange motor for top performance in residential swimming pools. SuperMax pump is a superior drop-in replacement for Super Pump. Consumers enjoy its economical performance. Pool professionals benefit from its ease of installation and reliability.

Featured Highlights

- SuperMax pump by Sta-Rite is a direct replacement for the Hayward® * Super Pump® *
- Single and two-speed models ranging from 1/2 to 2-1/2 HP
- Cam and Ramp™ Lid locks and unlocks with a simple quarter turn
- Exterior thermoplastic resin withstands temperature extremes and delivers long life
- Unionized fittings included (1-1/2 in. internal slip and 2 in. external slip)

CALIFORNIA PROPOSITION 65 WARNING
 ⚠️ WARNING: Cancer and Reproductive Harm.
 ⚠️ AVERTISSEMENT: Peut Causer le Cancer et des Dommages au Système Reproducteur.
 ⚠️ ADVERTENCIA: Cáncer y Daño Reproductivo.
www.p65warnings.ca.gov PH201714A

Ordering Information

Product	Rated HP	THP	WEF	HHP	Service Factor	Voltage	Frequency	Current	Port Size	Weight	Certifications ³	Curve Key
DOE COMPLIANT SINGLE-SPEED TEFC												
348191	N/A	1.1	3.6	0.63	1.00	115/208-230	60	10.5/5.4-5.4	1.5" x 1.5"	50	UL, NSF	B
ENERGY EFFICIENT SINGLE-SPEED - NOT FOR SALE IN THE USA												
PHK2E6C-100L-INT	1/2	0.95	N/A	N/A	1.00	115/208-230	60	8.8/4.5-4.4	1.5" x 1.5"	44	UL, NSF	A
PHK2E6D-101L-INT	3/4	0.95	N/A	N/A	1.00	115/208-230	60	8.8/4.5-4.4	1.5" x 1.5"	44	UL, NSF	A
TEFC SINGLE-SPEED - NOT FOR SALE IN THE USA												
348147-INT	1	1.65	N/A	N/A	1.00	115/208-230	60	15.1/8.5-7.7	1.5" x 1.5"	50	UL, NSF	C
348148-INT	1-1/2	2.21	N/A	N/A	1.00	208-230	60	10.3-9.1	1.5" x 1.5"	53	UL, NSF	D
348149-INT	2	2.60	N/A	N/A	1.00	208-230	60	11.7-10.3	1.5" x 1.5"	58	UL, NSF	E
ENERGY EFFICIENT 50 HZ SINGLE-SPEED - NOT FOR SALE IN THE USA												
5PHK2E6C-100-INT	1/2	0.55	N/A	N/A	1.10	240/120	50	7.5/15.0	1.5" x 1.5"	45	—	—
5PHK2E6D-101-INT	3/4	0.83	N/A	N/A	1.10	240/120	50	7.5/15.0	1.5" x 1.5"	45	—	—
5PHK2E6E-102-INT	1	1.10	N/A	N/A	1.10	240/120	50	6.9/13.8	1.5" x 1.5"	52	—	—
5PHK2E6F-103-INT	1-1/2	1.65	N/A	N/A	1.10	240	50	7.2	1.5" x 1.5"	52	—	—
5PHK2E6G-104-INT	2	2.20	N/A	N/A	1.10	240	50	9.4	1.5" x 1.5"	55	—	—
ACCESSORIES												
351157	Union Kit – 1-1/2 in. Internal Slip x 2 in. External Slip - includes 2									1		
356197	Chemical/Salt/Ozone Resistant EPDM & SS Seal Quick Kit									1		

¹ 'UL' indicates that pump bears a UL mark signifying evaluation to U.S. Standards UL1081 for Permanently Connected Swimming Pool and Spa Pumps and to Canadian Standards CAN/CSA C22.2 No. 108-01 Liquid Pumps For Swimming Pools Only (Enclosure 3).

² 'NSF' indicates that pump bears a mark signifying evaluation to NSF Standard 50 For Self-Priming Centrifugal Pumps For Swimming Pools Only.

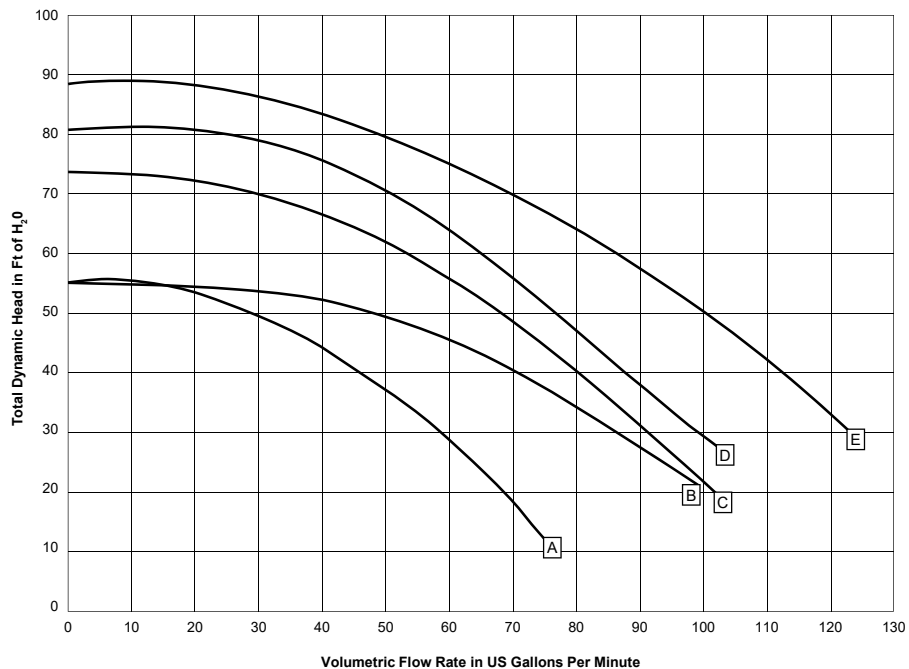
Product may have been evaluated to other state and local regulatory standards. Listing status may change. Always confirm status with appropriate agency if in doubt.

* Hayward® and Super Pump® are registered trademarks of Hayward Industries, Inc.

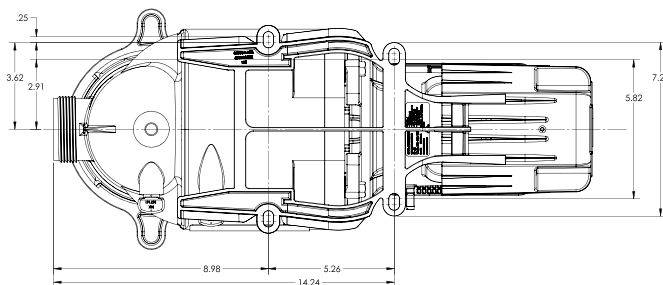
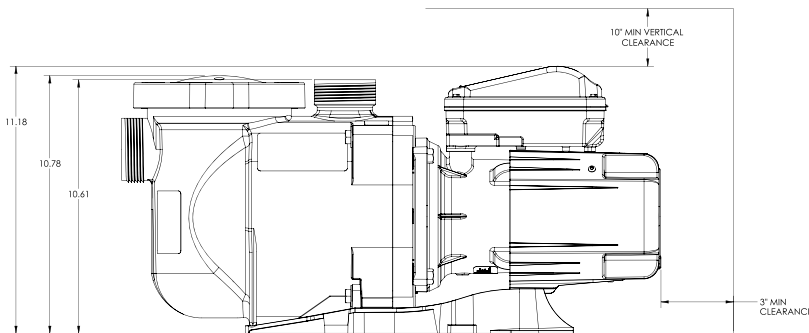
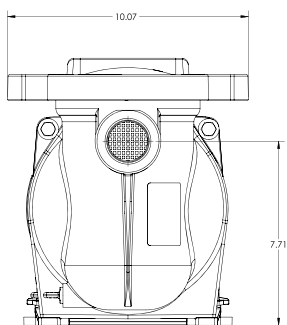
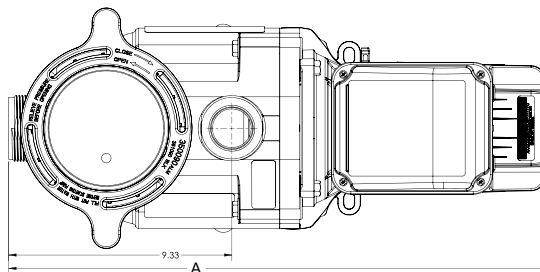
SUPERMAX®

HIGH PERFORMANCE PUMPS (CONT'D)

Dimensions and Performance



A- VARYING LENGTH			
HP	EE	TEFC	DOE Compliant
0.5	24.64	—	—
0.75	24.64	—	—
1	—	22	—
1.1	—	—	22.55
1.5	—	22.45	—
2	—	22.9	—



See pages 503–505 for replacement parts.

OPTIFLO® PUMP

FOR ABOVEGROUND POOLS



OptiFlo Pump

OptiFlo pumps feature a revolutionary design that delivers dependable high flow performance. The OptiFlo pump features a 48 frame-thru bolt motor, easy access to change the discharge port position, service the impeller, and an innovative Cam and Ramp lid.

Featured Highlights

- Large strainer basket
- Cam and Ramp™ Lid lock
- See-through lid
- Unionized discharge port connection
- Easy to service
- User-friendly removable drain plugs
- Metal base on motor
- Available with 3 ft. cord, with twist lock or standard plug

Ordering Information

Product	Discharge	Voltage	Full load amps	HP	Cord	Pipe	Weight
DOE COMPLIANT SINGLE-SPEED TEFC - CORD W/ STANDARD PLUG							
348196	Vertical	115	11.0	1	3' STD	1.5"	28.5
348200	Horizontal	115	11.0	1	3' STD	1.5"	28.5
DOE COMPLIANT SINGLE-SPEED TEFC - CORD W/ TWIST LOCK PLUG							
348195	Vertical	115	11.0	1	3' TWL	1.5"	28.5
348199	Horizontal	115	11.0	1	3' TWL	1.5"	28.5
DOE COMPLIANT SINGLE-SPEED TEFC - NO CORD							
348198	Vertical	115	11.0	1	None	1.5"	28.5
348202	Horizontal	115	11.0	1	None	1.5"	28.5
CSA SINGLE-SPEED TEFC - CORD W/ STANDARD PLUG - NOT FOR SALE IN THE USA							
348197	Vertical	115	11.0	1	25' STD	1.5"	28.5
348201	Horizontal	115	11.0	1	25' STD	1.5"	28.5
SINGLE-SPEED 230V - NO CORD - NOT FOR SALE IN THE USA							
340088	Vertical	230	4.6	3/4	None	1.5"	23.5
340089	Vertical	230	6.0	1	None	1.5"	23.0
340090	Vertical	230	8.0	1.5	None	1.5"	28.9
SINGLE-SPEED 50HZ - NO CORD - NOT FOR SALE IN THE USA							
340056	Vertical	230	5.0	3/4	None	1.5"	23.5
340057	Vertical	230	6.2	1	None	1.5"	23.0
340058	Vertical	230	7.8	1.5	None	1.5"	28.9

Note: TWL = Twist Lock Cord, STD = Standard Cord

CALIFORNIA PROPOSITION 65 WARNING

⚠️ **WARNING:** Cancer and Reproductive Harm.
 ⚠️ **AVERTISSEMENT:** Peut Causer le Cancer et des Dommages au Système Reproducteur.
 ⚠️ **ADVERTENCIA:** Cáncer y Daño Reproductivo.

www.p65warnings.ca.gov PH 201714

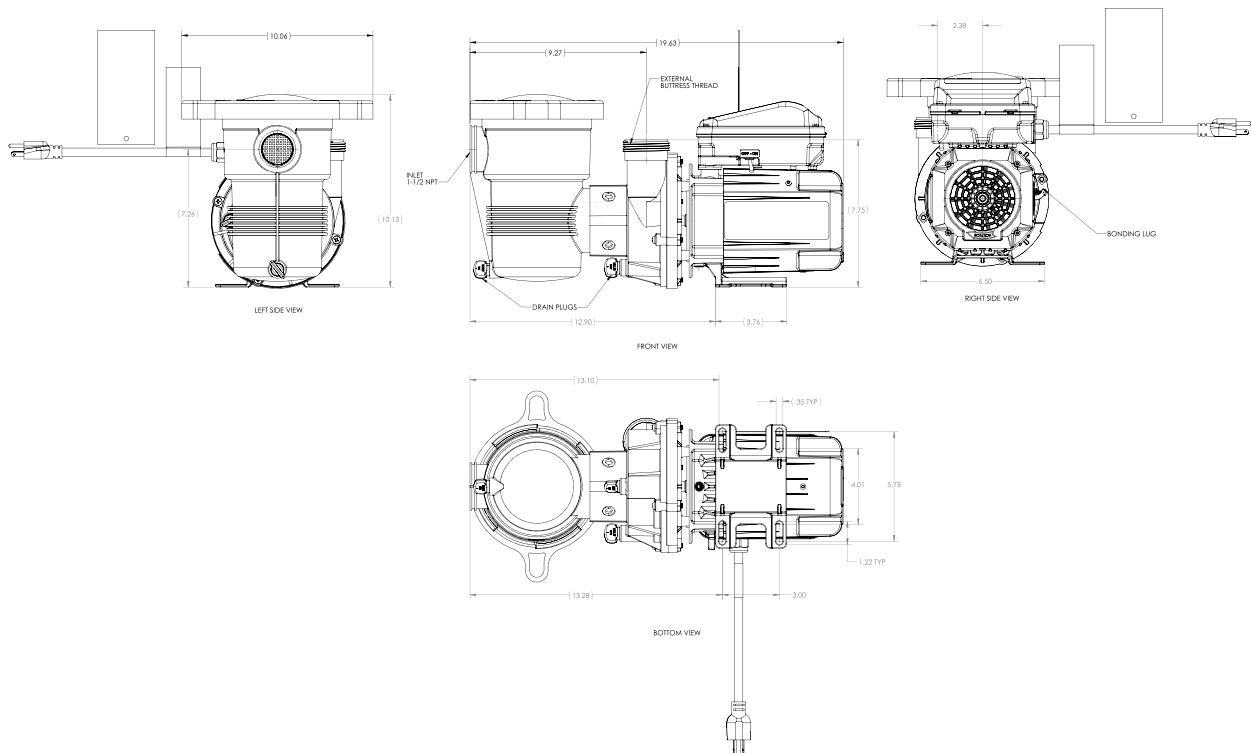
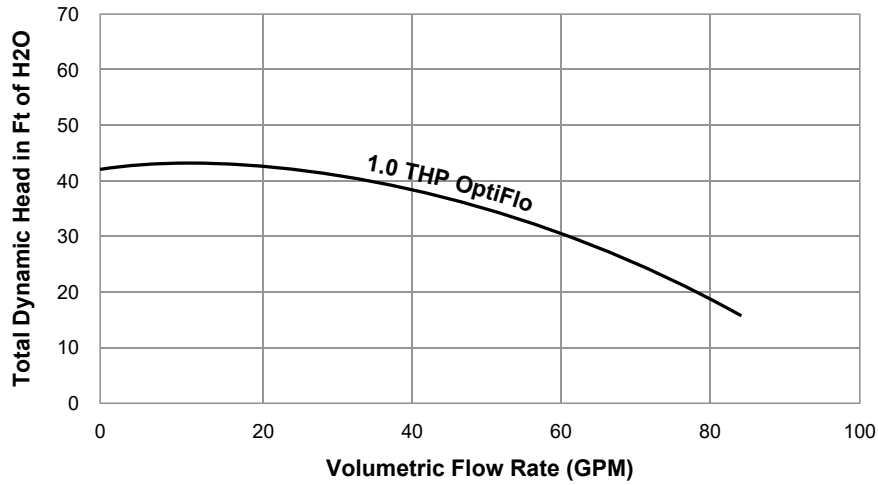
OPTIFLO® PUMP

FOR ABOVEGROUND POOLS (CONT'D)

Dimensions and Performance



OptiFlo Pool Pump Performance Curves



See page 507 for replacement parts.

STA-RITE® OPTIFLO® PUMP

FOR ABOVEGROUND POOLS



Sta-Rite OptiFlo Pool Pump

Sta-Rite OptiFlo Pump high-flow performance supports a quieter operation. Constructed of Sta-Rite's rugged thermoplastic resin. Large 5-1/2 in. capacity trap and an all-weather, smooth-running motor.

Featured Highlights

- User-friendly removable drain plugs
- Cam and Ramp™ Lid lock
- Typical Installation – Ideal for aboveground pools
- Years of Service – Stands tough against temperature and weather extremes
- External Threads – Discharge port features external threads for quick-connect unions

CALIFORNIA PROPOSITION 65 WARNING

⚠ **WARNING:** Cancer and Reproductive Harm.
 ⚠ **AVERTISSEMENT:** Peut Causer le Cancer et des Dommages au Système Reproducteur.
 ⚠ **ADVERTENCIA:** Cáncer y Daño Reproductivo.
www.p65warnings.ca.gov

Ordering Information

Product	Discharge	Voltage	Full load amps	HP	Cord	Pipe	Weight
DOE COMPLIANT SINGLE-SPEED TEFC - CORD W/ STANDARD PLUG							
348196SR	Vertical	115	11.0	1	3' STD	1.5"	28.5
348200SR	Horizontal	115	11.0	1	3' STD	1.5"	28.5
DOE COMPLIANT SINGLE-SPEED TEFC - CORD W/ TWIST LOCK PLUG							
348195SR	Vertical	115	11.0	1	3' TWL	1.5"	28.5
348199SR	Horizontal	115	11.0	1	3' TWL	1.5"	28.5
DOE COMPLIANT SINGLE-SPEED TEFC - NO CORD							
348198SR	Vertical	115	11.0	1	None	1.5"	28.5
348202SR	Horizontal	115	11.0	1	None	1.5"	28.5
CSA SINGLE-SPEED TEFC - CORD W/ STANDARD PLUG - NOT FOR SALE IN THE USA							
348197SR	Vertical	115	11.0	1	25' STD	1.5"	28.5
348201SR	Horizontal	115	11.0	1	25' STD	1.5"	28.5
SINGLE-SPEED 230V - NO CORD - NOT FOR SALE IN THE USA							
340056SR	Vertical	230	5.0	3/4	None	1.5"	23.5
340057SR	Vertical	230	6.2	1	None	1.5"	23.0
340058SR	Vertical	230	7.8	1.5	None	1.5"	28.9

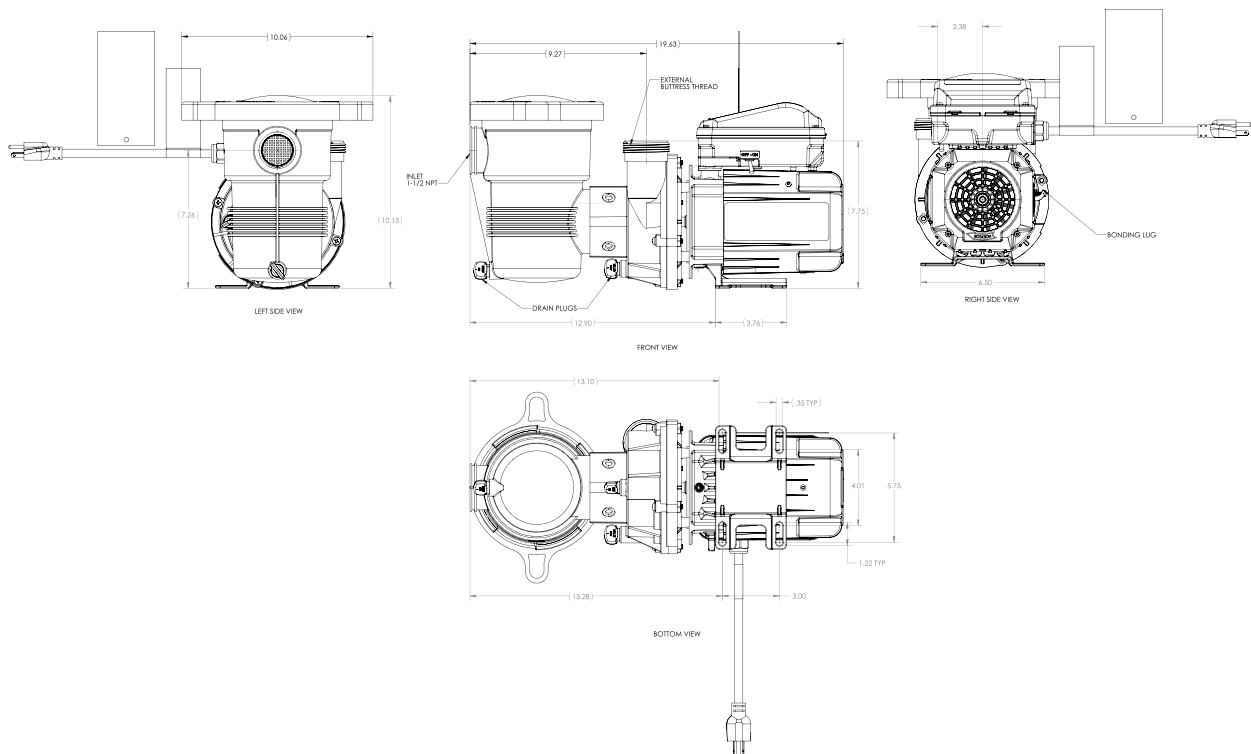
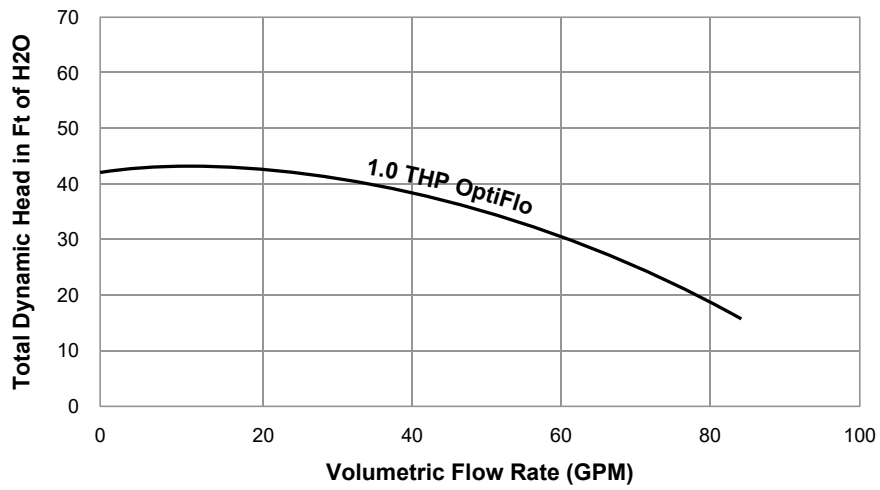
STA-RITE® OPTIFLO® PUMP

FOR ABOVEGROUND POOLS (CONT'D)

Dimensions and Performance



OptiFlo Pool Pump Performance Curves



See page 507 for replacement parts.

WHISPERFLOXF[®] VS COMMERCIAL VARIABLE SPEED PUMP

TRADEGRADE



WhisperFloXF VS Pump

The first variable speed pump that runs on single-phase or three-phase power. It's economical, combined motor/drive solution for HMAc (hotel, motel, apartment, condominium) or large residential installations, providing sophisticated, energy-saving pump technology without the high costs typically associated with independent pump/external drive setups.

Featured Highlights

- Integrated 5HP motor/drive; no expensive external drive required
- Versatile power input capability; runs off a wide range of single- or three-phase power
- Speed or flow control for maximum efficiency and pool performance*
- External control capability through automation systems or relays
- Intuitive programming and operation
- Meets commercial codes and agency requirements

Ordering Information

Product	THP	WEF	HHP	Service Factor	Voltage	Frequency	Current	Port Size	Weight	Certifications ³
WHISPERFLOXF VARIABLE SPEED										
022035	5.0	5.0	2.09	1.00	Single-Phase: 208-230/277-460 Three-Phase: 208-460	50/60	Single-Phase: 20-21/17-11 Three-Phase: 13-6	2.5" x 2.5" or 3" x 3"	95	UL ¹ , NSF ²
ACCESSORIES										
356324Z	RS-485 Automation Wiring Kit, 25 ft.									
400012	XF Riser Base - Simplifies installation of XF-series pumps in application where Challenger Pumps are being replaced.									

*When connected to Pentair's inline 4-20mA flowmeter for 3" plumbing (P/N 97014-4203KIT—sold separately), or similar 4-20mA flowmeters, this pump is capable of maintaining a constant flow based on the needs of your pool system. To connect the flowmeter and pump, the digital input cable provided in the External Control Wiring Kit (P/N 356324Z sold separately) is required.

¹ 'UL' indicates that pump bears a UL mark signifying evaluation to U.S. Standards UL1081 for Permanently Connected Swimming Pool and Spa Pumps and to Canadian Standards CAN/CSA C22.2 No. 108-01 Liquid Pumps For Swimming Pools Only (Enclosure 3).

² 'NSF' indicates that pump bears a mark signifying evaluation to NSF Standard 50 For Self-Priming Centrifugal Pumps For Swimming Pools, Spas and Hot Tubs.

³ Product may have been evaluated to other state and local regulatory standards. Listing status may change. Always confirm status with appropriate agency if in doubt.

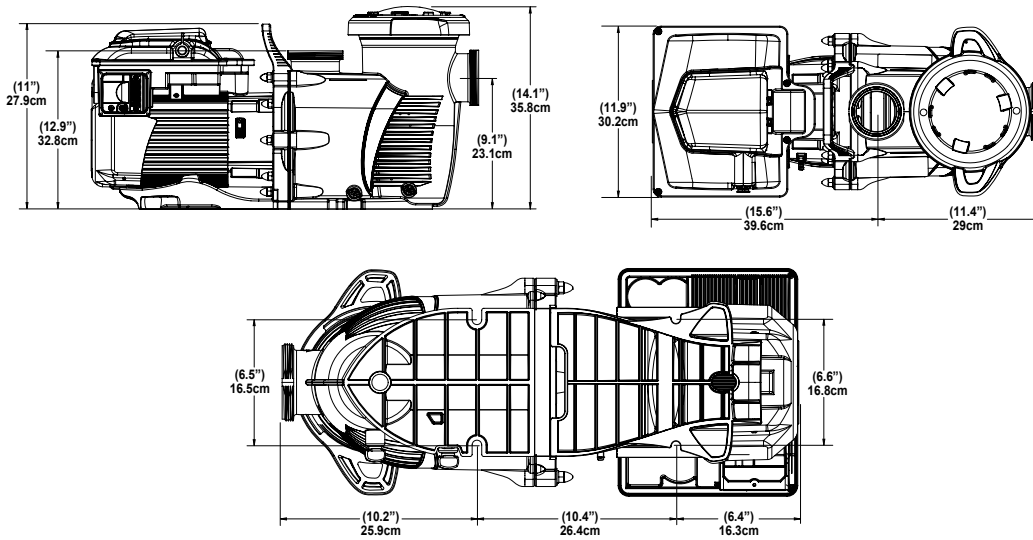
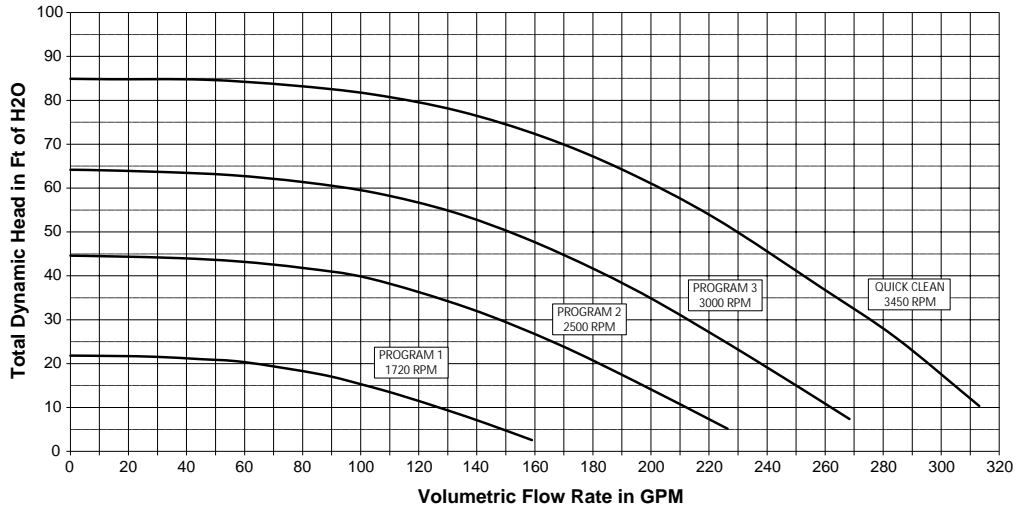
CALIFORNIA PROPOSITION 65 WARNING

▲ **WARNING:** Cancer and Reproductive Harm.
▲ **AVERTISSEMENT:** Peut Causer le Cancer et des Dommages au Système Reproducteur.
▲ **ADVERTENCIA:** Cáncer y Daño Reproductivo.

www.p65warnings.ca.gov
PH 201714

WHISPERFLOXF VS COMMERCIAL VARIABLE SPEED PUMP (CONT'D)

Dimensions and Performance



See page 509 for replacement parts.

MAX-E-PROXF[®] VS COMMERCIAL VARIABLE SPEED PUMP



TRADEGRADE



Max-E-ProXF VS Pump

The first variable speed pump that runs on single-phase or three-phase power. It's economical, combined motor/drive solution for HMAC (hotel, motel, apartment, condominium) or large residential installations, providing sophisticated, energy-saving pump technology without the high costs typically associated with independent pump/external drive setups.

Featured Highlights

- Integrated 5HP motor/drive; no expensive external drive required
- Versatile power input capability; runs off a wide range of single- or three-phase power
- Speed or flow control for maximum efficiency and pool performance*
- External control capability through automation systems or relays
- Intuitive programming and operation
- Meets commercial codes and agency requirements

Ordering Information

Product	THP	WEF	HHP	Service Factor	Voltage	Frequency	Current	Port Size	Weight	Certifications ³
WHISPERFLOXF VARIABLE SPEED										
023035	5.0	5.0	2.09	1.00	Single-Phase: 208-230/277-460 Three-Phase: 208-460	50/60	Single-Phase: 20-21/17-11 Three-Phase: 13-6	2.5" x 2.5" or 3" x 3"	95	UL ¹ , NSF ²
ACCESSORIES										
356324Z	RS-485 Automation Wiring Kit, 25 ft.									
400012	XF Riser Base - Simplifies installation of XF-series pumps in application where Challenger Pumps are being replaced.									

*When connected to Pentair's inline 4-20mA flowmeter for 3" plumbing (P/N 97014-4203KIT—sold separately), or similar 4-20mA flowmeters, this pump is capable of maintaining a constant flow based on the needs of your pool system. To connect the flowmeter and pump, the digital input cable provided in the External Control Wiring Kit (P/N 356324Z sold separately) is required.

¹ 'UL' indicates that pump bears a UL mark signifying evaluation to U.S. Standards UL1081 for Permanently Connected Swimming Pool and Spa Pumps and to Canadian Standards CAN/CSA C22.2 No. 108-01 Liquid Pumps For Swimming Pools Only (Enclosure 3).

² 'NSF' indicates that pump bears a mark signifying evaluation to NSF Standard 50 For Self-Priming Centrifugal Pumps For Swimming Pools, Spas and Hot Tubs.

³ Product may have been evaluated to other state and local regulatory standards. Listing status may change. Always confirm status with appropriate agency if in doubt.

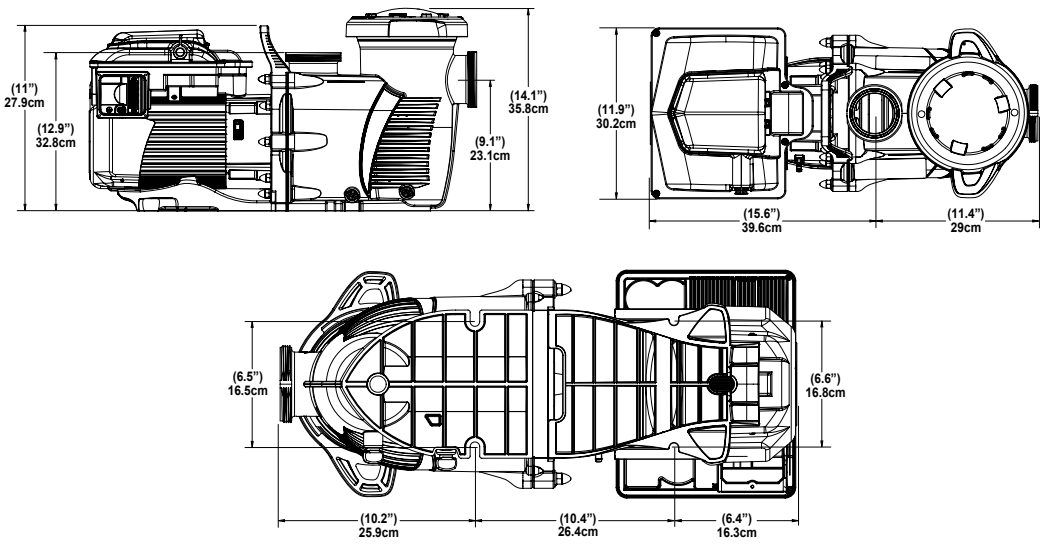
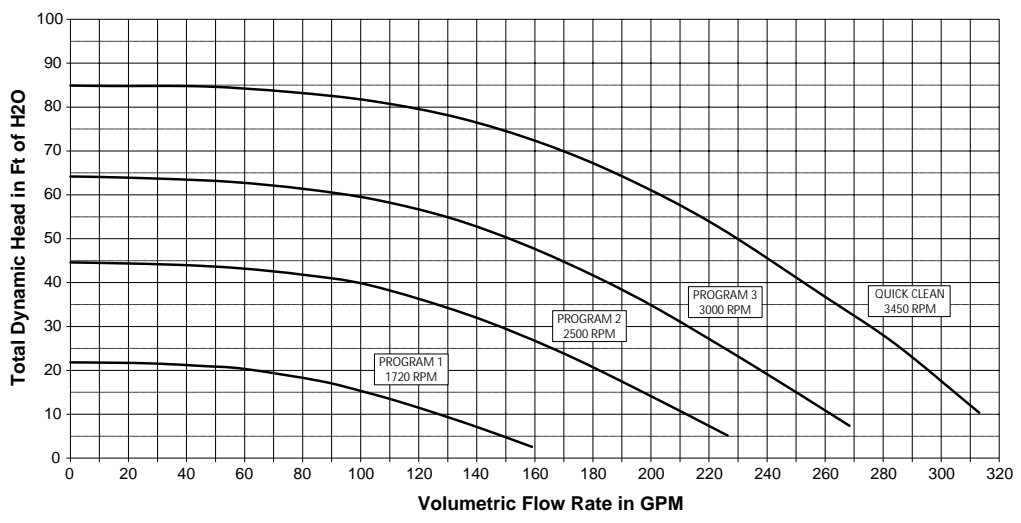
CALIFORNIA PROPOSITION 65 WARNING

▲ **WARNING:** Cancer and Reproductive Harm.
▲ **AVERTISSEMENT:** Peut Causer le Cancer et des Dommages au Système Reproducteur.
▲ **ADVERTENCIA:** Cáncer y Daño Reproductivo.

www.p65warnings.ca.gov
PH.201714

MAX-E-PROXF[®] VS COMMERCIAL VARIABLE SPEED PUMP (CONT'D)

Dimensions and Performance



See page 509 for replacement parts.

COMMERCIAL ACU DRIVE™ XS

VARIABLE FREQUENCY DRIVE

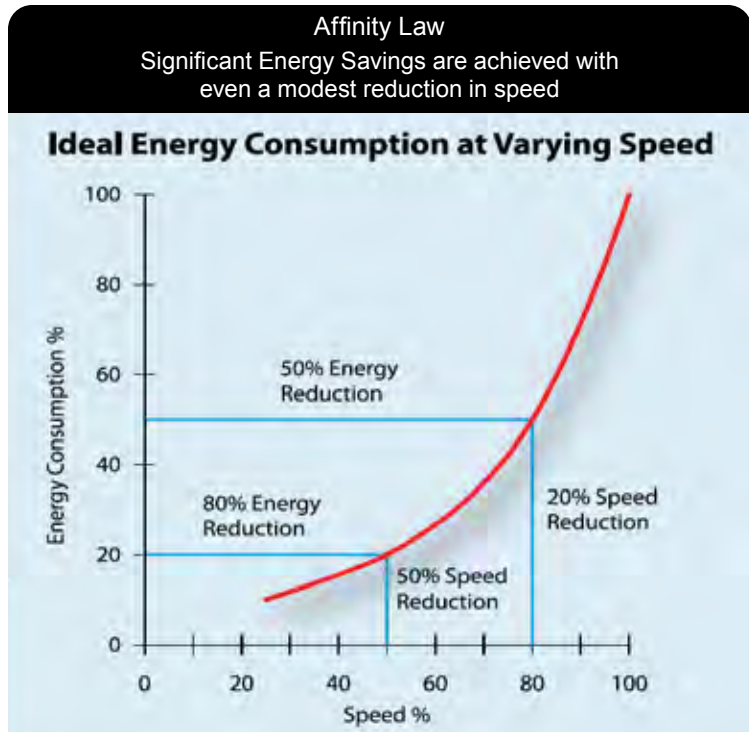


Featured Highlights

- Save up to 60% or more on pump's electricity usage*
- "Right-size" your pump to the exact flow required
- Helps save energy with constant flow as the filters gets dirty (with optional flow sensor)
- Off-hour flow management capability
- Does not blow corrosive filter-room air across the circuitry
- High efficiency up to 98% – adjusts drive input voltage for best efficiency point
- Eliminates need for motor starters
- Integrated disconnects, fusing and optional bypasses
- 2-step ramps (Soft Start Feature)
- Real-time clock for time based functions
- Great match for 3-phase models of EQ Series® Pumps
- Overload trip protection helps protect motor and Acu Drive XS VF Drive from Voltage Spikes and phase unbalance
- Can connect to an IntelliTouch® Automation System
- 3-year manufacturers warranty, Optional 6-year warranty available
- Optional: Factory Start-up upgrade available
- Indoor & Outdoor-rated enclosures
- One drive type for the full power range
- For use with 3 phase pumps only
- Acu Drive XS VF Drives with single phase input power available

The Acu Drive XS VF Drive offers built-in intelligence for increased performance in all aquatic pump applications. Specified for energy and cost savings, the Acu Drive XS VF Drive offers a fast return on investment. The Acu Drive XS VF Drive allows the pump to run at its most efficient point on the curve. Preventative maintenance costs will drop due to motor protection, motor soft start, and a significant decrease in water hammer protecting the shaft and impeller. Up to an additional 5% savings due to the Acu Drive XS VF Drive's ability to balance power phase and harmonic suppression. Built with powerful standard and optional features specifically designed for energy optimization, the Acu Drive XS VF Drive is perfectly matched with the full line of Pentair Commercial pumps.

CALIFORNIA PROPOSITION 65 WARNING
 ⚠️ **WARNING:** Cancer and Reproductive Harm.
 ⚠️ **AVERTISSEMENT:** Peut Causer le Cancer et des Dommages au Système Reproducteur.
 ⚠️ **ADVERTENCIA:** Cáncer y Daño Reproductivo.
www.p65warnings.ca.gov PH.201714



*Savings based on single speed pool pumps traditionally configured without VFD's, up to 20% larger than actual required flow and head pressure. Actual savings may vary based on local utility rates, pool size, pump run time, pump horsepower, pump RPM, plumbing size and length, pump model, service factor and other hydraulic factors.

COMMERCIAL ACU DRIVE™ XS

VARIABLE FREQUENCY DRIVE (CONT'D)

Ordering Information

3-PHASE INCLUDES FUSED DISCONNECT, BATTERY BACKUP, & PENTAIR SMART START*						
Horse Power (HP)	NEMA-12 RATED (IP 54/55)			NEMA-4X RATED (IP 66)		
	200-240 VAC	360-480 VAC	525-600 VAC	200-240 VAC	360-480 VAC	525-600 VAC
3	AD030X-2303-N12	AD030X-4603-N12	AD030X-5753-N12	AD030X-2303-N4X	AD030X-4603-N4X	AD030X-5753-N4X
5	AD050X-2303-N12	AD050X-4603-N12	AD050X-5753-N12	AD050X-2303-N4X	AD050X-4603-N4X	AD050X-5753-N4X
7-1/2	AD075X-2303-N12	AD075X-4603-N12	AD075X-5753-N12	AD075X-2303-N4X	AD075X-4603-N4X	AD075X-5753-N4X
10	AD100X-2303-N12	AD100X-4603-N12	AD100X-5753-N12	AD100X-2303-N4X	AD100X-4603-N4X	AD100X-5753-N4X
15	AD150X-2303-N12	AD150X-4603-N12	AD150X-5753-N12	AD150X-2303-N4X	AD150X-4603-N4X	AD150X-5753-N4X
20	AD200X-2303-N12	AD200X-4603-N12	AD200X-5753-N12	AD200X-2303-N4X	AD200X-4603-N4X	AD200X-5753-N4X
25	AD250X-2303-N12	AD250X-4603-N12	AD250X-5753-N12	AD250X-2303-N4X	AD250X-4603-N4X	AD250X-5753-N4X

SINGLE-PHASE INPUT DRIVES (FOR USE WITH 3-PHASE PUMPS ONLY) INCLUDES STANDARD DISCONNECT ONLY (NO FUSES), BATTERY BACKUP, & PENTAIR SMART START*		
Horse Power (HP)	NEMA-12 RATED (IP 54/55)	NEMA-4X RATED (IP 66)
	200-240 VAC	200-240 VAC
3	AD030X-2301-N12	AD030X-2301-N4X
5	AD050X-2301-N12	AD050X-2301-N4X
7-1/2	AD075X-2301-N12	AD075X-2301-N4X
10	AD100X-2301-N12	AD100X-2301-N4X
15 - 20	AD200X-2301-N12	AD200X-2301-N4X

For 30HP and higher - Please contact factory.

3-PHASE Units available with Optional Bypass Contactor mounted to common back plate. Please contact factory.

*Startup Services

CERTIFIED START-UP ASSISTANCE BY TRAINED TECHNICIANS IS AVAILABLE FOR PURCHASE WITH ALL ACU DRIVE VFD's. USE PRODUCT NUMBERS AS FOLLOWS:	
AD-STDSU01	Startup for single Drive (with or without Bypass Option)
AD-SUDW01	Batch Startup for 2-3 standard drives (4 hr. onsite / day)
AD-SUFW01	Batch Startup for 4-6 standard drives (8 hr. onsite / day)

Optional Accessories and Warranties

"ENHANCED SERVICE WARRANTY - ON SITE" INCLUDES PARTS, LABOR, TRAVEL AND ON-SITE WARRANTY REPAIR. USE PRODUCT NUMBERS AS FOLLOWS:"				
	200-240 VAC		360-480 VAC	
DURATION	3 HP & Below	5-25 HP	10 HP & Below	15-40 HP
6 YEARS	AD-EWW172	AD-EWW272	AD-EWW172	AD-EWW272

Flow Sensor Options

ACU DRIVE XS - FLOW SENSOR KITS				
Pipe Size (inches)	NEMA-12 RATED (IP 54/55)		NEMA-4X RATED (IP 66)	
	200-240 VAC	525-600 VAC	200-240 VAC	525-600 VAC
2"	97014-4202KIT	Includes:	—	Includes:
3"	97014-4203KIT	• Sch80 PVC Clamp-on Pipe Saddle.	97014BL-03KIT	• Sch80 PVC Clamp-on Pipe Saddle(3"-8").
4"	97014-4204KIT	• 100 linear feet shielded signal wire.	97014BL-04KIT	• Iron Saddle (10"-14").
6"	97016-4206KIT	• Strain relief connector.	97016BL-06KIT	• 100 linear feet shielded signal wire.
8"	97016-4208KIT	Does <u>not</u> include separate wall-mount flow display.	97016BL-08KIT	• Strain relief connector.
10"	—		97020BL-10KIT	Separate wall-mount flow display/transmitter.
12"	—		97020BL-12KIT	
14"	—		97020BL-14KIT	

*Additional charges will apply if on-site start-up exceeds four hours (including round-trip travel) per Acu Drive XS Drive.

Other options and add-ons are available including "Bypass Contactors", and "Contact Motor Select" upgrades, and additional on-site technical training. For more information on these options, other sizes, or applications assistance call 1-800-831-7133.

Some pump motors (e.g. 230/460V versions) can be wired to accommodate multiple voltages. This is not true of VFDs. In order to ensure proper VFD selection, the actual pump motor input voltage must be consistent with the drives operating range as shown.

The Acu Drive VF Drive is recommended for use with all "High" or "Premium" efficiency motors and all motors that have Class F insulation or better. For all non-Class F motors, please contact the factory for proper selection of Acu Drive XS Drive and accessories.

Standard Acu Drive XS VF Drives can be returned within 12 months of invoice only if unused, in original packaging, and subject to a 35% restocking charge. Special drives are non-returnable.

Nema Rated 12 enclosure provides protection against dust, dirt and light splashing. Nema Rated 12 units may be used outdoors when sheltered from direct precipitation and sunlight.

Nema Rated 4X enclosure provides a degree of protection against solid foreign objects(windblown dust), water(rain, sleet, snow, splashing water, and hose directed water), and an additional level of protection against corrosion; and that will be undamaged by the external formation of ice on the enclosure.

EQ SERIES®

COMMERCIAL PLASTIC PUMP WITH AND WITHOUT HAIR AND LINT STRAINER



EQ Series TEFC Pump with Strainer



EQ Series Pump without Strainer

Commercial Plastic pump built specifically for commercial and large residential pools. Pump features electrical and hydraulic designs that helps reduce electrical costs, less wear and tear on critical moving parts, and lightweight for ease of installation.

CALIFORNIA PROPOSITION 65 WARNING
 ⚠️ WARNING: Cancer and Reproductive Harm.
 ⚠️ AVERTISSEMENT: Peut Causer le Cancer et des Dommages au Système Reproducteur.
 ⚠️ ADVERTENCIA: Cáncer y Daño Reproductivo.
www.p65warnings.ca.gov

Featured Highlights

- Efficiency 3-phase motors
- Commercial grade, non-corrosive Plastic Parts for durability and long life
- Now available in TEFC and ODP 3-phase motor options
- Cam and Ramp™ See -Through Lid
- Self-priming with Hair and Lint Strainer
- Light weight
- 3-phase models compatible with Acu Drive™ XS VF Drive
- Drop-in replacement for C Series® and CSP Series™ Pumps
- Waterfall models great for low head, high flow applications
- Easy cleaning and serviceability
- 50 Hz models available -contact factory

Ordering Information

Product	Description	Voltage	Amps	HP	SF	SFHP	Primary Listings and Certifications ⁸	Port Size (ANSI Flange)	Motor Class	Carton Wt. (Lbs.)	Curve Key
PREMIUM EFFICIENCY SINGLE PHASE POOL PUMP WITHOUT STRAINER - ODP											
▶ 340019	EQ-500	230	20.0	5	1.15	5.75	NSF ² , ETL ⁵	6 in. x 4 in.	F	97	A
▶ 340021	EQ-750	230	30.4	7.5	1.15	8.63	NSF ²	6 in. x 4 in.	F	132	B
▶ 340237	EQ-1000	230	40.0	10	1.15	11.50	NSF ²	6 in. x 4 in.	F	125	C
NEMA RATED PREMIUM EFFICIENCY THREE PHASE POOL PUMP WITHOUT STRAINER - ODP											
▶ 340020	EQK-500	208-230/460	13.5-12.3/6.2	5	1.15	5.75	NSF ²	6 in. x 4 in.	F	77	D
▶ 340022	EQK-750	208-230/460	20.4-18.2/9.1	7.5	1.15	8.63	NSF ²	6 in. x 4 in.	F	87	E
▶ 340023	EQK-1000	208-230/460	27.0/26.2-13.1	10	1.15	11.50	NSF ²	6 in. x 4 in.	F	117	F
▶ 340024	EQK-1500	208-230/460	40.0-38.0/18.8	15	1.15	17.25	NSF ²	6 in. x 4 in.	F	132	G
NEMA RATED PREMIUM EFFICIENCY THREE PHASE POOL PUMP WITHOUT STRAINER - TEFC											
▶ 340608	EQKT-500	208-230/460	13.4-12.2/6.1	5	1.25	6.25	NSF ² , UL ⁷	6 in x 4 in	F	97	D
▶ 340609	EQKT-750	208-230/460	19.9-17.8/8.9	7.5	1.25	9.38	NSF ² , UL ⁷	6 in x 4 in	F	117	E
▶ 340610	EQKT-1000	208-230/460	26.4-23.5/11.7	10	1.25	12.50	NSF ² , UL ⁷	6 in x 4 in	F	163	F
▶ 340611	EQKT-1500	208-230/460	39.0-36.0/18.0	15	1.25	18.75	NSF ² , UL ⁸	6 in x 4 in	F	177	G
NEMA RATED PREMIUM EFFICIENCY THREE PHASE POOL PUMP WITHOUT STRAINER - 575 VOLT - ODP											
▶ 340148	EQK-500	575	5.1	5	1.15	5.75	NSF ²	6 in. x 4 in.	F	77	D
▶ 340149	EQK-750	575	7.2	7.5	1.15	8.63	NSF ²	6 in. x 4 in.	F	87	E
▶ 340150	EQK-1000	575	10.2	10	1.15	11.50	NSF ²	6 in. x 4 in.	F	117	F
▶ 340151	EQK-1500	575	15.0	15	1.15	17.25	NSF ²	6 in. x 4 in.	F	132	G
PREMIUM EFFICIENCY SINGLE PHASE POOL PUMP WITH STRAINER - ODP											
▶ 340030	EQ-500	230	20.0	5	1.15	5.75	NSF ³ , ETL ⁵	6 in. x 4 in.	F	126	A
▶ 340032	EQ-750	230	30.4	7.5	1.15	8.63	NSF ³	6 in. x 4 in.	F	161	B
▶ 340238	EQ-1000	230	40.0	10	1.15	11.50	NSF ³	6 in. x 4 in.	F	160	C
NEMA RATED PREMIUM EFFICIENCY THREE PHASE POOL PUMP WITH STRAINER - ODP											
▶ 340031	EQK-500	208-230/460	13.5-12.3/6.2	5	1.15	5.75	NSF ³	6 in. x 4 in.	F	106	D
▶ 340033	EQK-750	208-230/460	20.1-18.3/9.1	7.5	1.15	8.63	NSF ³	6 in. x 4 in.	F	116	E
▶ 340034	EQK-1000	208-230/460	27.0/26.2-13.1	10	1.15	11.50	NSF ³	6 in. x 4 in.	F	146	F
▶ 340035	EQK-1500	208-230/460	40.0-36.0/17.8	15	1.15	17.25	NSF ³	6 in. x 4 in.	F	161	G
NEMA RATED PREMIUM EFFICIENCY THREE PHASE POOL PUMP WITH STRAINER - TEFC											
▶ 340604	EQKT-500	208-230/460	13.4-12.2/6.1	5	1.25	6.25	NSF ³ , UL ⁷	6 in x 4 in	F	127	D
▶ 340605	EQKT-750	208-230/460	19.9-17.8/8.9	7.5	1.25	9.38	NSF ³ , UL ⁷	6 in x 4 in	F	147	E
▶ 340606	EQKT-1000	208-230/460	26.4-23.5/11.7	10	1.25	12.50	NSF ³ , UL ⁷	6 in x 4 in	F	193	F
▶ 340607	EQKT-1500	208-230/460	39.0-36.0/18.0	15	1.25	18.75	NSF ³ , UL ⁸	6 in x 4 in	F	207	G

▶ This product either meets or is exempt from the DOE Dedicated Purpose Pool Pump regulation. This product will remain available after the DOE regulation takes effect in July 2021.

EQ SERIES®

COMMERCIAL PLASTIC PUMP WITH AND WITHOUT HAIR AND LINT STRAINER

Product	Description	Voltage	Amps	HP	SF	SFHP	Primary Listings and Certifications ⁶	Port Size (ANSI Flange)	Motor Class	Carton Wt. (Lbs.)	Curve Key	
NEMA RATED PREMIUM EFFICIENCY THREE PHASE POOL PUMP WITH STRAINER - ODP - 575 VOLT												
▶ 340155	EQK-500	575	5.1	5	1.15	5.75	NSF ³	6 in. x 4 in.	F	106	D	
▶ 340156	EQK-750	575	7.2	7.5	1.15	8.63	NSF ³	6 in. x 4 in.	F	116	E	
▶ 340157	EQK-1000	575	10.2	10	1.15	11.50	NSF ³	6 in. x 4 in.	F	146	F	
▶ 340159	EQK-1500	575	15.0	15	1.15	17.25	NSF ³	6 in. x 4 in.	F	161	G	
SINGLE PHASE WATERFALL PUMP WITHOUT STRAINER - ODP - 1750 RPM												
▶ 340014	EQW-300	208-230	19.5/19.2	3	1.15	3.45	NSF ² , ETL ⁵	6 in. x 4 in.	F	97	H	
▶ 340017	EQW-500	208-230	23.0-20.1	5	1.25	6.25	NSF ² , ETL ⁵	6 in. x 4 in.	F	97	I	
NEMA RATED PREMIUM EFFICIENCY THREE PHASE WATERFALL PUMP WITHOUT STRAINER - ODP - 1750 RPM												
▶ 340016	EQWK-300	208-230/460	8.4-7.8/3.9	3	1.15	3.45	NSF ²	6 in. x 4 in.	F	77	H	
▶ 340018	EQWK-500	208-230/460	13.8-13.0/6.5	5	1.25	6.25	NSF ²	6 in. x 4 in.	F	77	I	
SINGLE PHASE WATERFALL PUMP WITH STRAINER - ODP - 1750 RPM												
▶ 340026	EQW-300	208/230	19.5/19.2	3	1.15	3.45	NSF ³ , ETL ⁵	6 in. x 4 in.	F	126	H	
▶ 340028	EQW-500	208-230	23.0/20.1	5	1.25	6.25	NSF ⁴ , ETL ⁵	6 in. x 4 in.	F	126	I	
NEMA RATED PREMIUM EFFICIENCY THREE PHASE WATERFALL PUMP WITH STRAINER - ODP												
▶ 340027	EQWK-300	208-230/460	8.4-7.8/3.9	3	1.15	3.45	NSF ³	6 in. x 4 in.	F	106	H	
▶ 340029	EQWK-500	208-230/460	13.8-13.0/6.5	5	1.25	6.25	NSF ⁴	6 in. x 4 in.	F	106	I	
HAIR AND LINT STRAINER WITH CAM AND RAMP LID, BASKET AND HARDWARE												
340013	EQ 6X6 Strainer						NSF ⁴	6 in. x 6 in.		33	J	
EQ SERIES PUMP ACCESSORIES FLANGE ASSEMBLY KITS												
357262	Flange 4 in. w/ gasket and SS hardware ¹	(See images on next page)									20	
357263	Flange 6 in. w/ gasket and SS hardware ¹	(See images on next page)									23	
357212	Flange 6 in. w/ gasket and SS hardware.	For use on EQ Pumps without Strainer.									23	

See page 249 for an assortment of PS Series In-Line Strainers that work well with EQ Series pumps.

¹ Thermoplastic PVC socket style.

² 'NSF' indicates that pump bears a mark signifying evaluation to NSF Standard 50 For Non Self-Priming Centrifugal Pumps For Swimming Pools, Spas and Hot Tubs.

³ 'NSF' indicates that pump bears a mark signifying evaluation to NSF Standard 50 For Self-Priming Centrifugal Pumps For Swimming Pools, Spas and Hot Tubs.

⁴ 'NSF' indicates that product bears a mark signifying evaluation to NSF Standard 50 For Materials and Components.

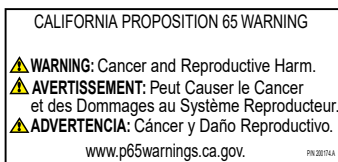
⁵ 'ETL' indicates that pump bears a specific ETL mark signifying evaluation to U.S. Standards UL1081 for Permanently Connected Swimming Pool and Spa Pumps and to Canadian Standards CAN/CSA C22.2 No. 108-01 Liquid Pumps For Swimming Pools And Spas. (Enclosure 3).

⁶ Product may have been evaluated to other state and local regulatory standards. Listing status may change. Always confirm status with appropriate agency if in doubt.

⁷ 'UL' indicates that pump bears a UL mark signifying evaluation to U.S. Standards UL1081 for Permanently Connected Swimming Pool and Spa Pumps and to Canadian Standards CAN/CSA C22.2 No. 108-01 Liquid Pumps For Swimming Pools Only (Enclosure 3).

⁸ 'UL' indicates that pump bears a UL mark signifying evaluation to U.S. Standards UL1081 for Permanently Connected Swimming Pool and Spa Pumps.

Dimensions and Performance - See next page.



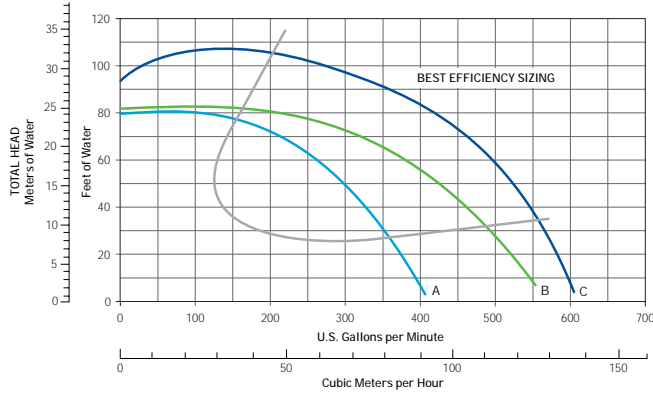
See pages 510–511 for replacement parts.

EQ SERIES®

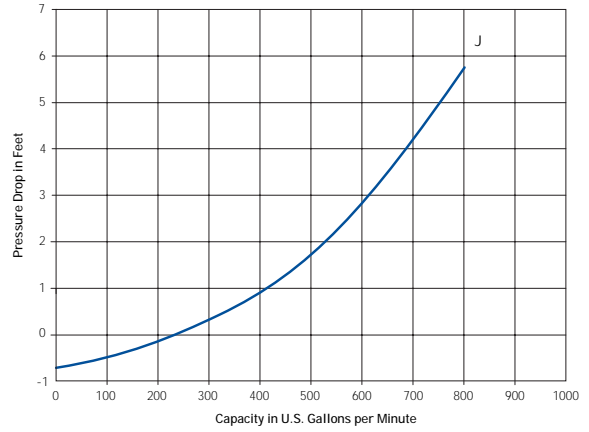
COMMERCIAL PLASTIC PUMP WITH AND WITHOUT HAIR AND LINT STRAINER (CONT'D)

Dimensions and Performance

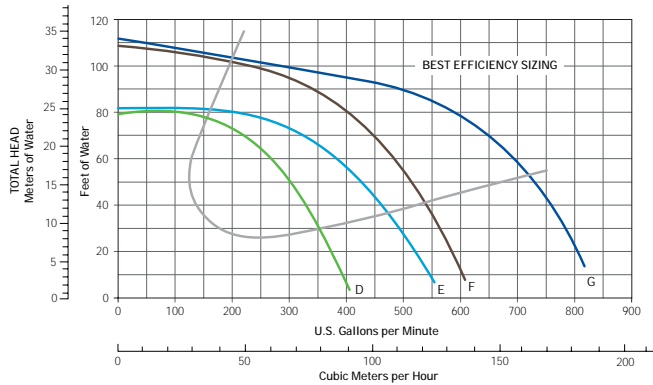
Single Phase Pumps - EQ Models



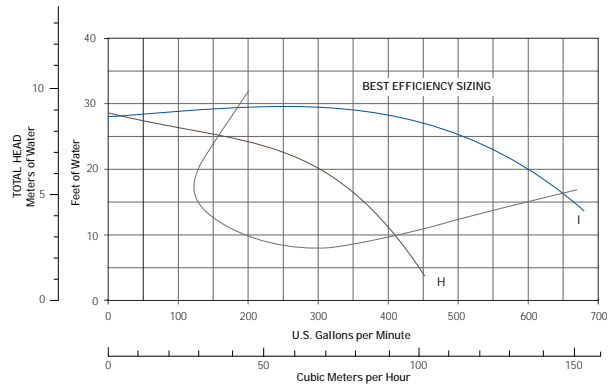
EQ Strainer Only



Three Phase Pumps - EQK Models



WaterFall Pumps - EQW & EQWK Models



For detailed efficiency curves go to www.pentaircommercial.com

EQ SERIES®

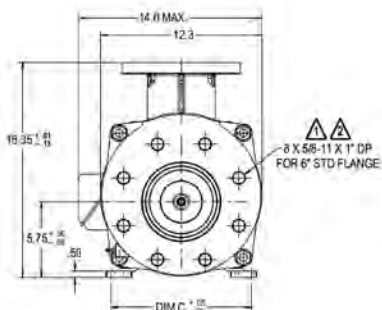
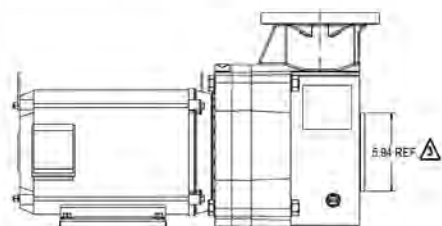
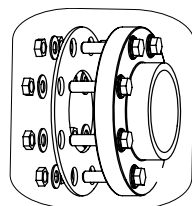
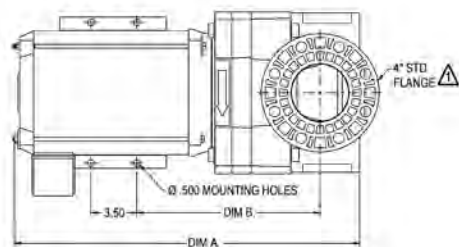
COMMERCIAL PLASTIC PUMP WITH AND WITHOUT HAIR AND LINT STRAINER

(CONT'D)

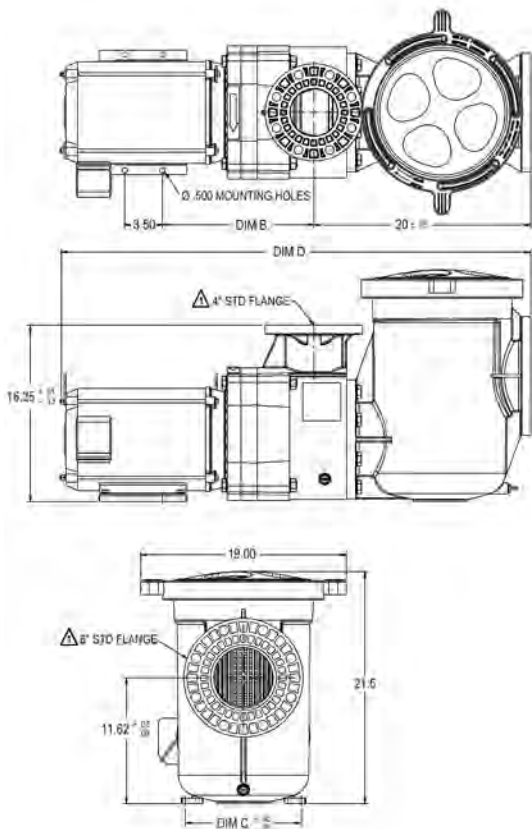
Dimensions and Performance

EQ Series Commercial Pump without Strainer

EQ Series Pump Flange Assembly Kit



EQ Series Commercial Pump with Strainer



Product No W/O Pot	Product No. W/ Pot	Dim A*	Dim B*	Dim C*	Dim D*
340014	340026	26.62	13.32	9.69	43.59
340017	340028	26.62	14.21	9.69	43.59
340019	340030	26.62	13.32	9.69	43.59
340021	340032	27.53	14.21	10.69	44.59
340237	340238	26.94	14.03	10.69	43.92
340016	340027	23.12	13.32	9.69	40.09
340018	340029	23.12	13.32	9.69	40.09
340020	340031	23.12	13.32	9.69	40.09
340022	340033	24.50	13.32	9.69	41.56
340023	340034	26.31	14.38	10.69	43.29
340024	340035	26.31	14.38	10.69	43.29
340148	340155	24.62	13.32	7.50	41.59
340149	340156	24.62	13.32	7.50	41.59
340150	340157	26.31	14.07	8.50	43.29
340151	340159	26.31	14.07	8.50	43.29
340608	340604	24.52	13.48	9.69	41.50
340609	340605	26.52	14.19	10.69	43.50
340610	340606	28.02	14.19	10.69	45.00
340611	340607	28.02	14.19	10.69	45.00
340086	340082	24.62	13.48	9.69	41.59
340085	340081	24.62	13.48	9.69	41.59
340084	340080	28.31	14.19	10.69	45.29
340083	340049	28.31	14.19	10.69	45.29
340048	340046	28.31	14.19	10.69	45.29
340047	340045	28.31	14.19	10.69	45.29

* This value may vary slightly depending upon manufacturer and motor design.

- △ FASTENERS AND O-RING ARE INCLUDED WITH PENTAIR POOL PRODUCTS EQ 6X6 STRAINER TO CONNECT STRAINER DIRECTLY TO EQ SERIES PUMP. IF PUMP IS TO BE INSTALLED WITHOUT STRAINER MAKE BOTH CONNECTIONS PER NOTE 1.
- △ USE ANSI CLASS 150 PLASTIC FLANGE AND 1/8 in. THICK CLASS 150 FULL FLANGE GASKET TO MAKE CONNECTION.
- △ THIS DIAMETER FITS INSIDE 6 in. SCH 40 PIPE. DO NOT USE SCH 80 PIPE AS FINAL PIPE SIZE WHEN MAKING THIS FLANGE CONNECTION.

See pages 510–511 for replacement parts.

C SERIES®

COMMERCIAL BRONZE PUMPS



C Series Commercial Bronze Pump

Bronze volute and pot, coated cast iron foot, flanged connections, 6 in. suction, 4 in. discharge.

CALIFORNIA PROPOSITION 65 WARNING

⚠️ **WARNING:** Cancer and Reproductive Harm.
 ⚠️ **AVERTISSEMENT:** Peut Causer le Cancer et des Dommages au Système Reproducteur.
 ⚠️ **ADVERTENCIA:** Cáncer y Daño Reproductivo.
www.p65warnings.ca.gov

Featured Highlights

- Large commercial pump with s/s basket
- Easy serviceability
- All-bronze construction for strength and durability
- 6 in. suction and 4 in. discharge for maximum capabilities
- Heavy-gauge stainless steel strainer basket with an open area 5 times the area of the suction port
- Closed impeller for longer motor bearing life
- Heat-resistant seal capable of operation at up to 150°
- Available in single and three-phase, 50 and 60-Hertz models
- For 200-208v applications order 200-208v model pump

Ordering Information

Product	Description	Voltage	Amps	HP	SF	SFHP	Primary Listings and Certifications ²	Motor Class	Port Size (ANSI Flange)	Carton Wt. (Lbs.)	Curve Key
NEMA RATED STANDARD EFFICIENCY SINGLE PHASE 230V											
▶011651	CM-50	230	24.0	5	1.15	5.75	NSF ¹	B	6 in. x 4 in.	352	F
▶011656	CH-50	230	24.0	5	1.15	5.75	NSF ¹	B	6 in. x 4 in.	352	A
▶347917	CM-75	230	37.0	7-1/2	1.15	8.63	NSF ¹	B	6 in. x 4 in.	375	G
▶347916	CH-75	230	37.0	7-1/2	1.15	8.63	NSF ¹	B	6 in. x 4 in.	375	B
▶347964	CM-100	230	51.0	10	1.15	11.50	NSF ¹	B	6 in. x 4 in.	370	H
▶347963	CH-100	230	51.0	10	1.15	11.50	NSF ¹	B	6 in. x 4 in.	370	C
NEMA RATED STANDARD EFFICIENCY SINGLE PHASE 200 - 208V											
▶347938	CM-50	200-208	29.0	5	1.15	5.75	NSF ¹	B	6 in. x 4 in.	322	F
▶348001	CM-75	200-208	42.6	7-1/2	1.15	8.63	NSF ¹	B	6 in. x 4 in.	375	G
NEMA RATED STANDARD EFFICIENCY THREE PHASE 200 - 208V											
▶347940	CMK-50	200-208	16.1	5	1.15	5.75	NSF ¹	B	6 in. x 4 in.	346	F
▶347941	CHK-50	200-208	16.1	5	1.15	5.75	NSF ¹	B	6 in. x 4 in.	350	A
▶347942	CMK-75	200-208	22.3	7-1/2	1.15	8.63	NSF ¹	B	6 in. x 4 in.	346	G
▶347943	CHK-75	200-208	22.3	7-1/2	1.15	8.63	NSF ¹	B	6 in. x 4 in.	346	B
▶347944	CMK-100	200-208	28.7	10	1.15	11.50	NSF ¹	B	6 in. x 4 in.	370	H
▶347945	CHK-100	200-208	28.7	10	1.15	11.50	NSF ¹	B	6 in. x 4 in.	356	C
▶347948	CHK-200	200-208	54.0	20	1.15	23.00	NSF ¹	F	6 in. x 4 in.	406	E
NEMA RATED STANDARD EFFICIENCY THREE PHASE 220/440V											
▶011657	CHK-50	220/440	13.0/6.5	5	1.15	5.75	NSF ¹	F	6 in. x 4 in.	336	A
▶011658	CHK-75	220/440	18.4/9.2	7-1/2	1.15	8.63	NSF ¹	F	6 in. x 4 in.	349	B
▶011659	CHK-100	220/440	25.3/12.6	10	1.15	11.50	NSF ¹	B	6 in. x 4 in.	376	C
▶011660	CHK-150	220/440	37.5/18.8	15	1.15	17.25	NSF ¹	B	6 in. x 4 in.	398	D
▶011661	CHK-200	220/440	49.0/24.6	20	1.15	23.00	NSF ¹	F	6 in. x 4 in.	403	E

▶ This product either meets or is exempt from the DOE Dedicated Purpose Pool Pump regulation. This product will remain available after the DOE regulation takes effect in July 2021.

C SERIES®

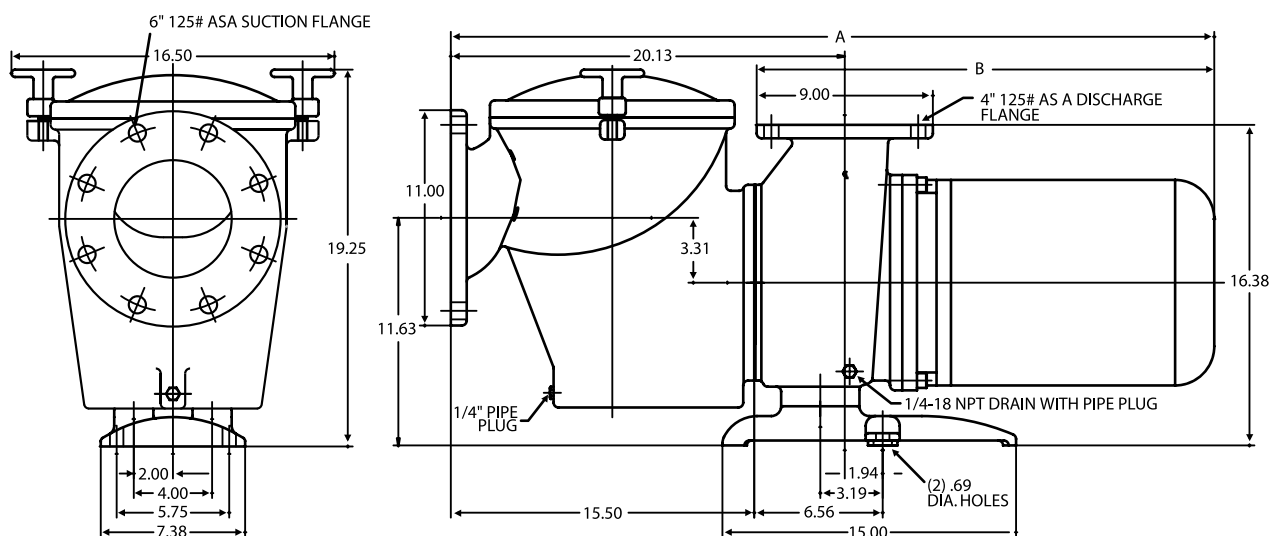
COMMERCIAL BRONZE PUMPS (CONT'D) WITH HAIR AND LINT STRAINER

Product	Description	Voltage	Amps	HP	SF	SFHP	Primary Listings and Certifications ²	Motor Class	Port Size (ANSI Flange)	Carton Wt. (Lbs.)	Curve Key
NEMA RATED STANDARD EFFICIENCY THREE PHASE 575V											
▶ 347967	CHK-50	575	5.6	5	1.15	5.75	NSF ¹	F	6 in. x 4 in.	336	A
▶ 347935	CHK-200	575	19.5	20	1.15	23.00	NSF ¹	F	6 in. x 4 in.	406	E
NEMA RATED STANDARD EFFICIENCY THREE PHASE 380-415V- 50 HZ											
▶ 014884	CHKL-200	380-415	28.0-26.0	20	1.15	23.00	NSF ¹	F	6 in. x 4 in.	403	

¹ "NSF" indicates that pump has been certified to NSF/ANSI 50, the Standard for Equipment for swimming pools, spas, hot tubs and other recreational water features.

² Product may have been evaluated to other state and local regulatory standards. Listing status may change. Always confirm status with appropriate agency if in doubt.

Dimensions and Performance



PUMP DIMENSIONS			
THREE-PHASE AMPS @ 220/440 & 380/415 V			
HP	AMPS	A	B
5	14	34.88	19.50
7.5	20	35.88	20.50
10	26	36.88	22.50
15	38	37.38	22.00
20	46	37.88	23.50

PUMP DIMENSIONS			
SINGLE-PHASE AMPS @ 230 VOLTS			
HP	AMPS	A	B
5	26	35.50	20.50
7.5	37	35.88	20.50

PUMP DIMENSIONS			
SINGLE-PHASE AMPS @ 200 VOLTS			
HP	AMPS	A	B
5	29	35.50	20.50
7.5	39.6	35.88	20.50

NOTES:
 1. BOTH "A" AND "B" DIMENSIONS ARE APPROXIMATE IT DEPENDS ON MOTOR MANUFACTURER.
 2. ALL DIMENSIONS ARE IN INCHES AND MAY VARY ± .25.

C SERIES®

COMMERCIAL BRONZE PUMPS (CONT'D) WITHOUT HAIR AND LINT STRAINER



C Series
Commercial
Bronze Pump
without Hair and
Lint Strainer

Featured Highlights

- High performance motors for maximum flow
- All-bronze construction for strength and durability
- 5 in. suction and 4 in. discharge for maximum capabilities
- Closed impeller for longer motor bearing life
- Heat-resistant seal capable of operation at up to 150°
- Available in single and three-phase, 50 and 60-hertz models
- For 200-208v applications order 200-208v model pump

CALIFORNIA PROPOSITION 65 WARNING

⚠ **WARNING:** Cancer and Reproductive Harm.
 ⚠ **AVERTISSEMENT:** Peut Causer le Cancer et des Dommages au Système Reproducteur.
 ⚠ **ADVERTENCIA:** Cáncer y Daño Reproductivo.
www.p65warnings.ca.gov

Ordering Information

Product	Description	Voltage	Amps	HP	SF	SFHP	Primary Listings and Certifications ³	Motor Class	Port Size (ANSI Flange)	Carton Wt. (Lbs.)	Curve Key
NEMA RATED STANDARD EFFICIENCY SINGLE PHASE 200-208V											
▶ 347950	CH-50	200-208	29.0	5	1.15	5.75	NSF ²	B	5 in. x 4 in.	302	A
▶ 347961	CM-75	200-208	42.6	7-1/2	1.15	8.63	NSF ²	B	5 in. x 4 in.	315	G
C SERIES & AURORA PUMP ACCESSORIES FLANGE ASSEMBLY KITS											
357260	Flange 5 in. w/ gasket and SS hardware ¹ for pump less strainer									22	
357262	Flange 4 in. w/ gasket and SS hardware ¹									20	
357263	Flange 6 in. w/ gasket and SS hardware ¹									23	

¹ Thermoplastic PVC socket style

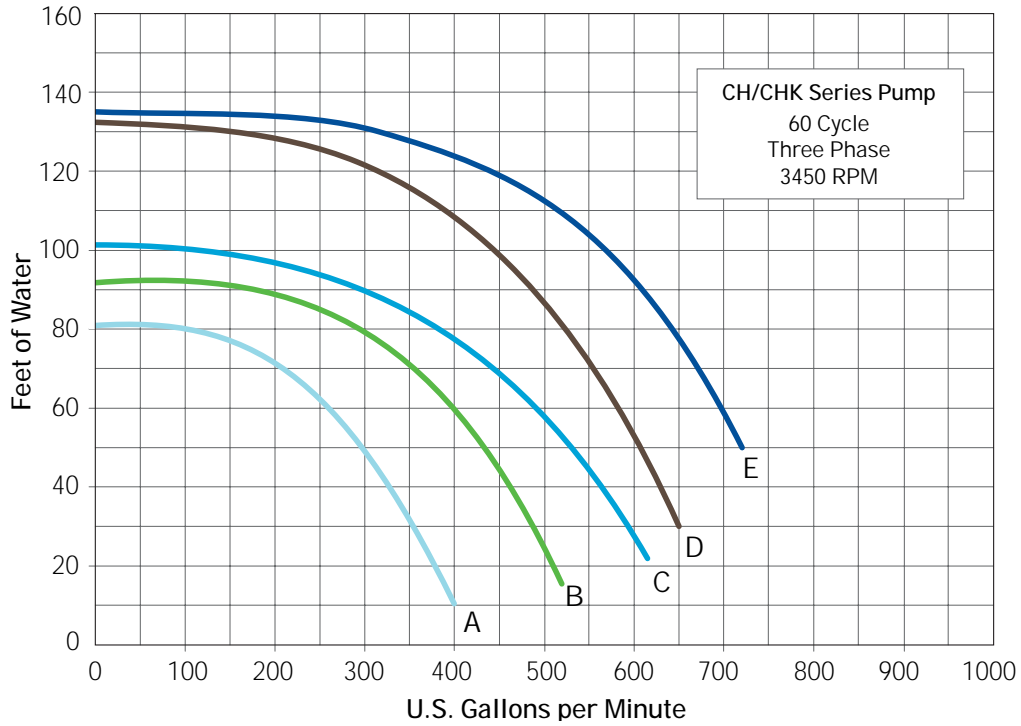
² 'NSF(1)' indicates that pump bears a mark signifying evaluation to NSF Standard 50 For Non Self-Priming Centrifugal Pumps For Swimming Pools, Spas and Hot Tubs.

³ Product may have been evaluated to other state and local regulatory standards. Listing status may change. Always confirm status with appropriate agency if in doubt.

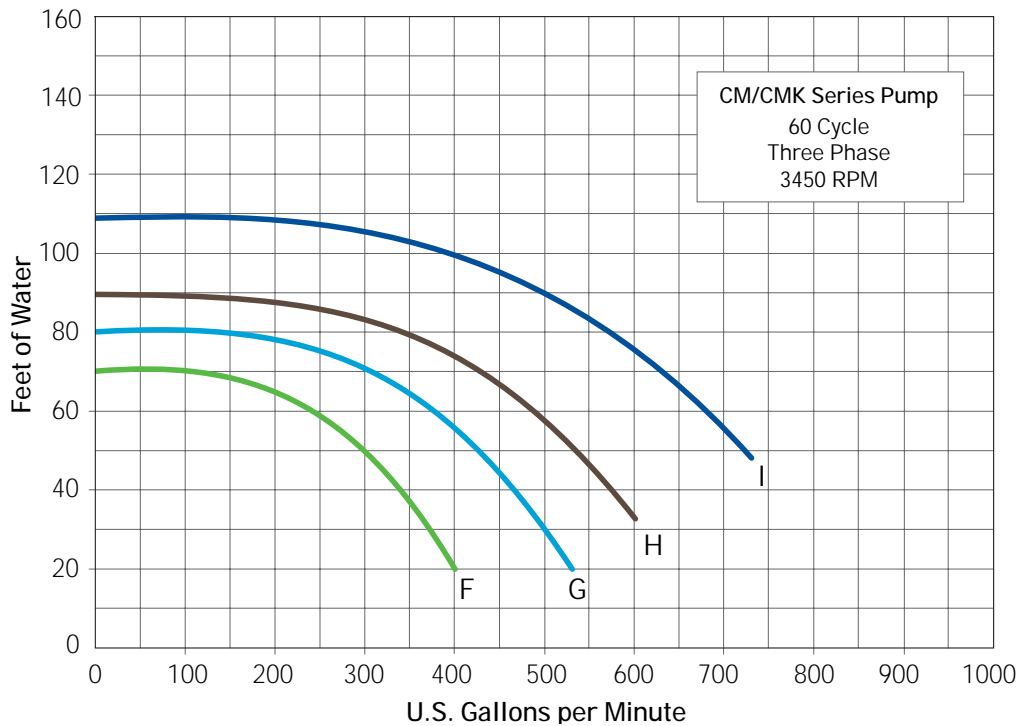
C SERIES®

COMMERCIAL BRONZE PUMPS (CONT'D) WITH HAIR AND LINT STRAINER

CH/CHK SERIES PUMP - 60HZ



CM/CMK SERIES PUMP - 60HZ



For detailed efficiency curves go to www.pentaircommercial.com

See pages 512–513 for replacement parts.

CSP/CCSP SERIES™

COMMERCIAL SELF-PRIMING PUMP



CSP/CCSP Series
Commercial Self-Priming
Pump with PKG 184
Strainer (sold separately)

CALIFORNIA PROPOSITION 65 WARNING
 ⚠️ **WARNING:** Cancer and Reproductive Harm.
 ⚠️ **AVERTISSEMENT:** Peut Causer le Cancer et des Dommages au Système Reproducteur.
 ⚠️ **ADVERTENCIA:** Cáncer y Daño Reproductivo.
www.p65warnings.ca.gov

Featured Highlights

- Especially designed for commercial and public swimming pools and spas, aquatic facilities, water parks and fountain applications where high performance and self-priming are required
- Pump has enclosed bronze impeller and standard 6 in. x 4 in. A.N.S.I. rated flange connections
- The pump strainer (order separately) has capacity of 1,100 cubic inches. Both pump and strainer can be ordered with optional epoxy coated castings to provide additional performance and corrosion resistance

Ordering Information

Product	Voltage	Amps ¹	HP	SF	SFHP	Primary Listings and Certifications ⁴	Port Size (ANSI Flange)	Carton Wt. (Lbs.)	Curve Key
NEMA RATED STANDARD EFFICIENCY SINGLE PHASE CAST IRON									
▶ CSPHK-142	230	39	7.5	1.15	8.63	NSF ²	6 in. x 4 in.	270	A
▶ CSPHL-143	230	46	10	1.15	11.50	NSF ²	6 in. x 4 in.	275	B
NEMA RATED STANDARD EFFICIENCY SINGLE PHASE EPOXY COATED CAST IRON									
▶ CCSPHK-142	230	39	7.5	1.15	8.63	NSF ²	6 in. x 4 in.	270	E
▶ CCSPHL-143	230	46	10	1.15	11.50	NSF ²	6 in. x 4 in.	275	F
NEMA RATED STANDARD EFFICIENCY THREE PHASE CAST IRON									
▶ CSPHK3-142	230/460	21.2-19.2/9.6	7-1/2	1.25	9.38	NSF ²	6 in. x 4 in.	265	A
▶ CSPHL3-143	230/460	27.6-24.4/12.2	10	1.25	12.50	NSF ²	6 in. x 4 in.	270	B
▶ CSPHM3-144	230/460	44.2-40/20	15	1.25	18.75	NSF ²	6 in. x 4 in.	280	C
▶ CSPHN3-145	230/460	55.3-50/25	20	1.25	25.00	NSF ²	6 in. x 4 in.	325	D
NEMA RATED STANDARD EFFICIENCY THREE PHASE CAST IRON - 200V⁶									
▶ CSPH2K3-142	200	22.1	7-1/2	1.15	8.63	NSF ²	6 in. x 4 in.	265	A
▶ CSPH2L3-143	200	28.1	10	1.25	12.50	NSF ²	6 in. x 4 in.	270	B
▶ CSPH2M3-144	200	42.3	15	1.25	18.75	NSF ²	6 in. x 4 in.	280	C
▶ CSPH2N3-145	200	57.3	20	1.25	25.00	NSF ²	6 in. x 4 in.	350	D
NEMA RATED STANDARD EFFICIENCY THREE PHASE EPOXY COATED CAST IRON									
▶ CCSPHK3-142	230/460	21.2-19.2/9.6	7-1/2	1.25	9.38	NSF ²	6 in. x 4 in.	265	E
▶ CCSPHL3-143	230/460	27.6-24.4/12.2	10	1.25	12.50	NSF ²	6 in. x 4 in.	270	F
▶ CCSPHM3-144	230/460	44.2-40/20	15	1.25	18.75	NSF ²	6 in. x 4 in.	280	G
▶ CCSPHN3-145	230/460	55.3-50/25	20	1.25	25.00	NSF ²	6 in. x 4 in.	325	H
NEMA RATED STANDARD EFFICIENCY THREE PHASE EPOXY COATED CAST IRON - 200 V⁶									
▶ CCSPH2K3-142	200	22.1	7-1/2	1.15	8.63	NSF ²	6 in. x 4 in.	265	E
▶ CCSPH2L3-143	200	28.1	10	1.25	12.50	NSF ²	6 in. x 4 in.	270	F
▶ CCSPH2M3-144	200	42.3	15	1.25	18.75	NSF ²	6 in. x 4 in.	280	G
▶ CCSPH2N3-145	200	57.3	20	1.25	25.00	NSF ²	6 in. x 4 in.	350	H
ACCESSORIES FOR CSP/CCSP SERIES									
PKG 184	Strainer for CSP/CCSP 6 in. ANSI flange (1,100 cu. in. capacity)					NSF ³	6 in. x 6 in.	180	I
PKG 184C	Same as PKG 184 Except Strainer is Epoxy Coated					NSF ³	6 in. x 6 in.	180	I
357262	Flange 4 in. w/ gasket and SS hardware ⁵							20	
357263	Flange 6 in. w/ gasket and SS hardware ⁵							23	

¹ Amp draw may vary depending on motor manufacturer.

² 'NSF(1)' indicates that pump bears a mark signifying evaluation to NSF Standard 50 For Self-Priming Centrifugal Pumps For Swimming Pools And Spas.

³ 'NSF(2)' indicates that product bears a mark signifying evaluation to NSF Standard 50 For Materials and Components.

⁴ Product may have been evaluated to other state and local regulatory standards. Listing status may change. Always confirm status with appropriate agency if in doubt.

⁵ Thermoplastic PVC socket style.

⁶ For 208 volt applications, use 200v model options.

▶ This product either meets or is exempt from the DOE Dedicated Purpose Pool Pump regulation. This product will remain available after the DOE regulation takes effect in July 2021.

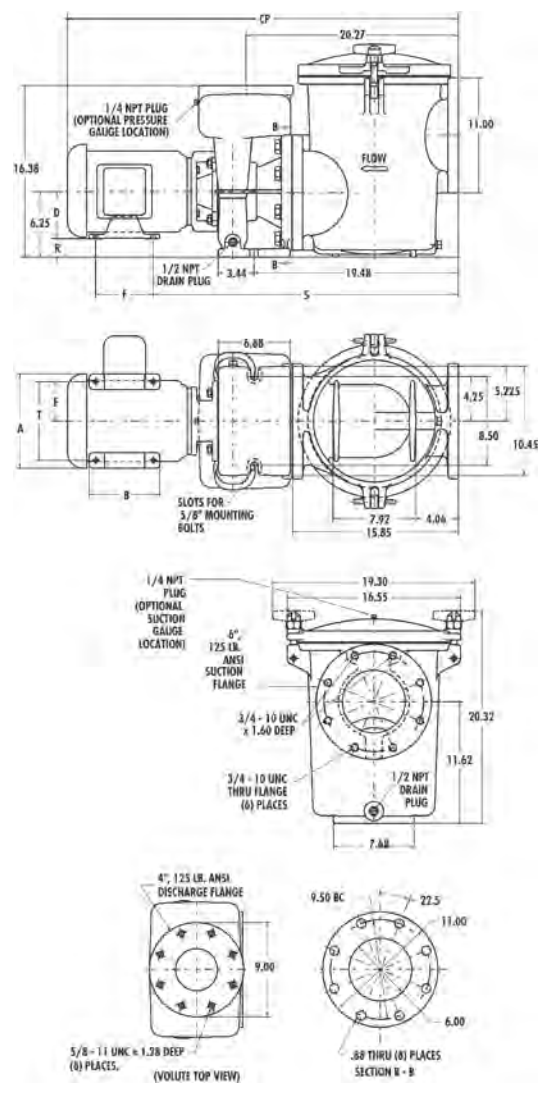
CSP/CCSP SERIES™

COMMERCIAL SELF-PRIMING PUMP (CONT'D)

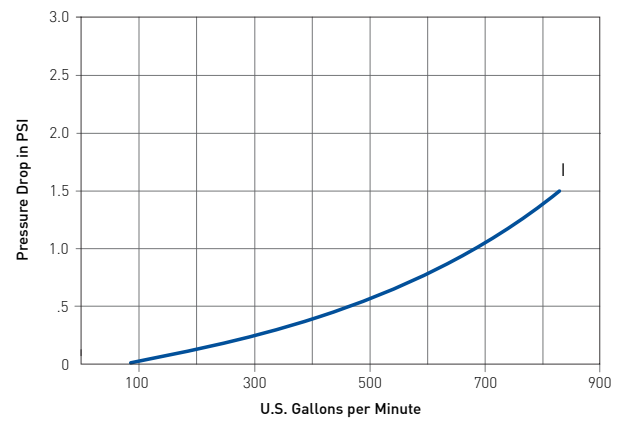
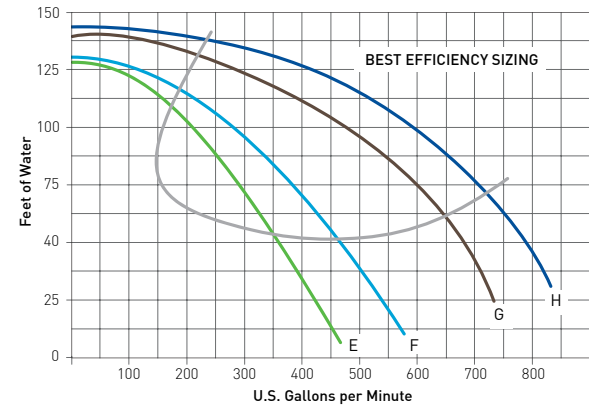
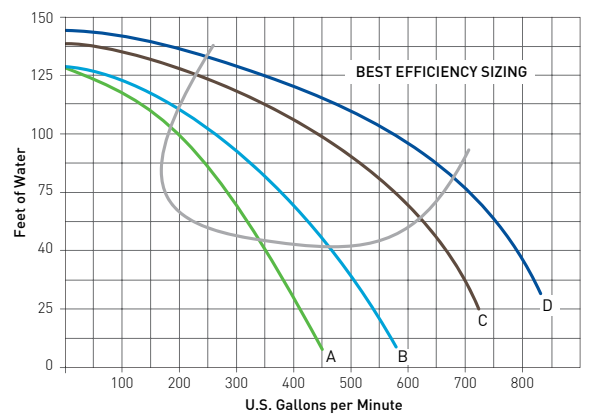
Featured Highlights

Options: CCSP Models feature special epoxy coated castings for maximum performance and corrosion resistance. 60 Hz T.E.F.C., 60 Hz premium efficiency, or 575 volt motors available. Inverter duty rated class F motors available for most models. Contact factory for details.

Note: Maximum ambient temperature for motor is 104°F (40°C). All pump motors require external overload protection (magnetic starter). Pump strainer must be ordered separately. Full load amps on motor model plate.



Dimensions and Performance



Catalog Number	A	B	CP	D	E	F	R	S	T
CSPHK, CCSPHK	10.62	7.00	39.44	5.25	4.25	5.50	1.00	30.00	8.50
CSPHK3, CCSPHK3, CSPH2K3	9.00	6.75	40.31	4.50	3.75	5.50	1.75	29.13	7.50
CSPHL, CCSPHL	10.35	8.26	42.69	5.25	4.25	7.00	1.00	30.00	8.50
CSPHL3, CCSPHL3	10.62	7.00	41.00	5.25	4.25	5.50	1.00	30.00	8.50
CSPHM3, CCSPHM3	10.62	8.50	42.50	5.25	4.25	7.00	1.00	30.00	8.50
CSPH2L3, CSPH2M3	10.62	8.50	42.50	5.25	4.25	7.00	1.00	30.00	8.50
CSPHN3, CCSPHN3	12.50	10.80	46.75	6.25	5.00	8.20	0.00	31.62	10.00
CSPH2N3, CCSPH2N3	13.38	12.44	48.50	6.25	5.00	10.00	0.00	31.65	10.00

All dimensions shown in inches.

See page 516 for replacement parts.

5CSP/5CCSP SERIES™

50 HERTZ COMMERCIAL SELF-PRIMING PUMP



5CSP/5CCSP Series Commercial Self-Priming Pump with PKG 184 Strainer Pot (sold separately)

Featured Highlights

- Especially designed for commercial and public swimming pools and spas, aquatic facilities, water parks and fountain applications where high performance and self-priming are required
- Pump has enclosed bronze impeller and standard 6 in. x 4 in. A.N.S.I. flange connections
- The pump strainer (order separately) has capacity of 1,100 cubic inches. Both pump and strainer can be ordered with optional epoxy coated castings to provide additional performance and corrosion resistance

• **Note: 50 hertz pumps cannot be used in North America.**

CALIFORNIA PROPOSITION 65 WARNING

⚠ **WARNING:** Cancer and Reproductive Harm.
 ⚠ **AVERTISSEMENT:** Peut Causer le Cancer et des Dommages au Système Reproducteur.
 ⚠ **ADVERTENCIA:** Cáncer y Daño Reproductivo.
www.p65warnings.ca.gov PK320724

Ordering Information

Product	Voltage	Amps ¹	HP	SF	SFHP	Primary Listings and Certifications ³	Port Size (ANSI Flange)	Carton Wt. (Lbs.)	Curve Key
SINGLE PHASE CAST IRON WITHOUT STRAINER- 50 HZ									
▶5CSPHJ-142	220-240	35.5-32.5	5	1.00	5		6 in. x 4 in.	270	A
▶5CSPHK-143	220-240	43.0-39.4	7-1/2	1.00	7-1/2		6 in. x 4 in.	280	B
THREE PHASE CAST IRON WITHOUT STRAINER- 50 HZ									
▶5CSPHJ3-142	220-240/380-415	13.0/6.9	5	1.00	5		6 in. x 4 in.	260	A
▶5CSPHK3-143	220-240/380-415	20.7-21.5/12.0/12.4	7-1/2	1.00	7-1/2		6 in. x 4 in.	270	B
▶5CSPHL3-144	220-240/380-415	27.0-27.5/15.6-15.9	10	1.00	10		6 in. x 4 in.	280	C
▶5CSPHM3-145	220-240/380-415	38.9-20.6	15	1.00	15		6 in. x 4 in.	300	D
THREE PHASE EPOXY COATED CAST IRON WITHOUT STRAINER - 50 HZ									
▶5CCSPHJ3-142	220-240/380-415	13.0/6.9	5	1.00	5		6 in. x 4 in.	260	A
▶5CCSPHK3-143	220-240/380-415	20.7-11.0	7-1/2	1.00	7-1/2		6 in. x 4 in.	270	B
▶5CCSPHL3-144	220-240/380-415	26.9-14.3	10	1.00	10		6 in. x 4 in.	280	C
▶5CCSPHM3-145	220-240/380-415	38.9-20.6	15	1.00	15		6 in. x 4 in.	300	D
ACCESSORIES FOR 5CSP/5CCSP SERIES									
PKG 184	Strainer for CSP/CCSP 6 in. ANSI flange (1,100 cu. in. capacity)					NSF ⁴	6 in. x 6 in.	180	I
PKG 184C	Same as PKG 184 Except Strainer is Epoxy Coated					NSF ⁴	6 in. x 6 in.	180	I
357262	Flange 4 in. w/ gasket and SS hardware ²							20	
357263	Flange 6 in. w/ gasket and SS hardware ²							23	

¹ Amp draw may vary depending on motor manufacturer. Full load amps on motor model plate.

² Thermoplastic PVC socket style.

³ Product may have been evaluated to other state and local regulatory standards. Listing status may change. Always confirm status with appropriate agency if in doubt.

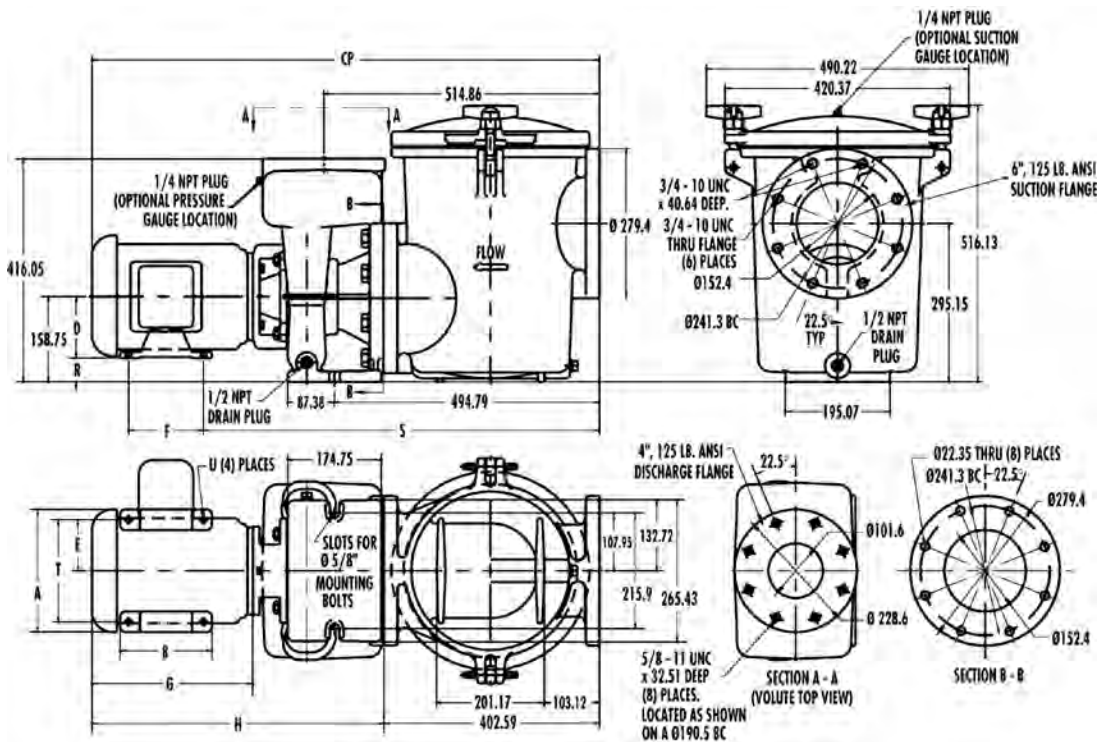
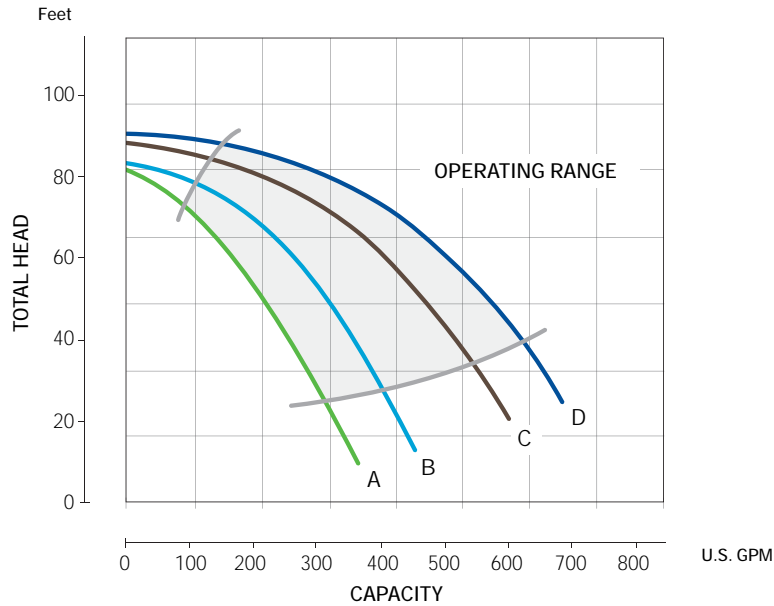
⁴ 'NSF(2)' indicates that product bears a mark signifying evaluation to NSF Standard 50 For Materials and Components.

See pages 236 for Hair and Lint Strainer Packages.

5CSP/5CCSP SERIES™

50 HERTZ COMMERCIAL SELF-PRIMING PUMP (CONT'D)

Dimensions and Performance



Catalog Number	A	B	CP	D	E	F	R	S	T
5CSPHJ	269.75	177.8	1039.62	133.25	107.95	139.7	25.4	733.3	215.9
5CSPHK	269.75	215.9	1075.69	133.25	107.95	177.8	25.4	733.3	215.9
5CSPHJ3	228.6	171.45	988.82	133.25	95.25	139.7	44.45	734.06	190.5
5CSPHK3	269.75	177.8	1039.62	133.25	107.95	139.7	25.4	733.3	215.9
5CSPHL3	269.75	215.9	1075.69	133.25	107.95	177.8	25.4	733.3	215.9
5CSPHM3	317.5	274.32	1185.67	158.75	127.0	209.55	-	793.75	254.0

All dimensions shown in millimeters.

D-SERIES™

CAST IRON SELF-PRIMING CENTRIFUGAL COMMERCIAL PUMP



D Series Cast Iron Self-Priming Centrifugal Commercial Pump

Featured Highlights

- Especially designed for commercial applications where high performance and self-priming characteristics are desired
- These self-priming, high performance pumps are available in high head and medium head models, providing a complete range of performance characteristics
- Motors are open drip-proof, continuous duty rated 3450 RPM.

CALIFORNIA PROPOSITION 65 WARNING

⚠️ **WARNING:** Cancer and Reproductive Harm.
 ⚠️ **AVERTISSEMENT:** Peut Causer le Cancer et des Dommages au Système Reproducteur.
 ⚠️ **ADVERTENCIA:** Cáncer y Daño Reproductivo.

www.p65warnings.ca.gov PK2003LA

Ordering Information

Product	Voltage	Amps ¹	HP	Primary Listings and Certifications ³	Port Size (NPT)	Carton Wt. (Lbs.)	Curve Key
STANDARD EFFICIENCY THREE PHASE HIGH HEAD							
▶ DHH3-169	230/460	8.6/4.3	3	NSF ²	1-1/2 in.	135	A
▶ DMH3-171	230/460	8.6/4.3	3	NSF ²	2 in.	135	C
STANDARD EFFICIENCY THREE PHASE MEDIUM HEAD							
▶ DHJ3-170	230/460	13.2/6.6	5	NSF ²	2 in.	178	B
▶ DMJ3-172	230/460	13.2/6.6	5	NSF ²	2-1/2 in.	178	D

* 200 Volt models available. Contact factory for details.

¹ Dimensions and Max Load Amps may vary per motor manufacturer.

² 'NSF(1)' indicates that pump bears a mark signifying evaluation to NSF Standard 50 For Self-Priming Centrifugal Pumps For Swimming Pools, Spas and Hot Tubs when installed with a NSF certified Hair and Lint Strainer.

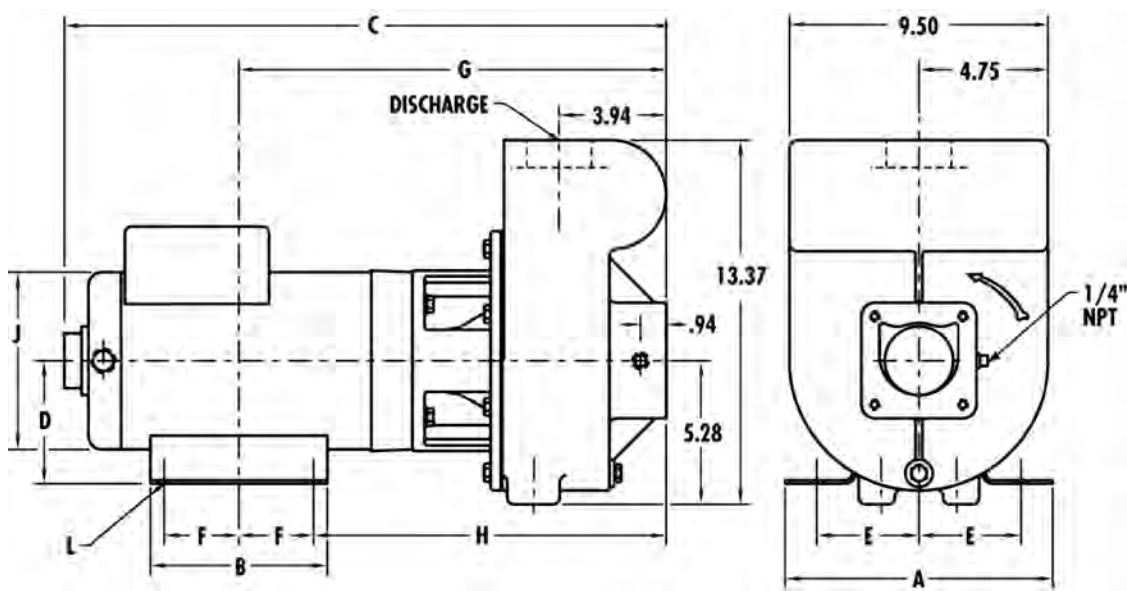
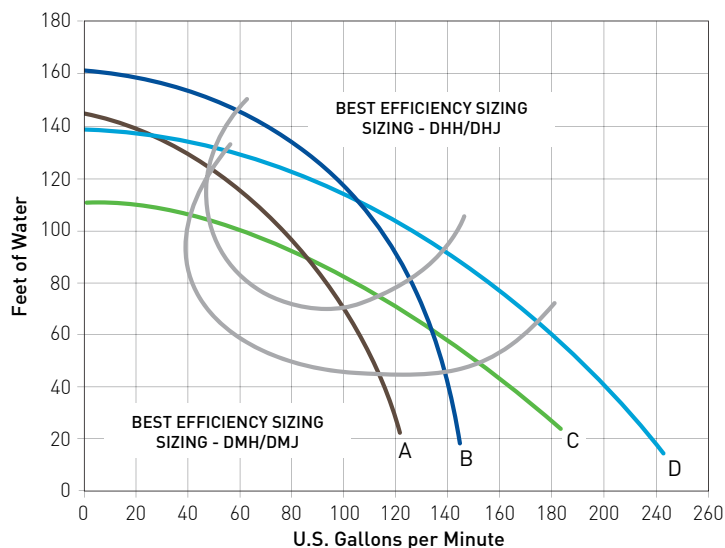
³ Product may have been evaluated to other state and local regulatory standards. Listing status may change. Always confirm status with appropriate agency if in doubt.

See pages 236 for Hair and Lint Strainer Packages.

D-SERIES™

CAST IRON SELF-PRIMING CENTRIFUGAL COMMERCIAL PUMP (CONT'D)

Dimensions and Performance



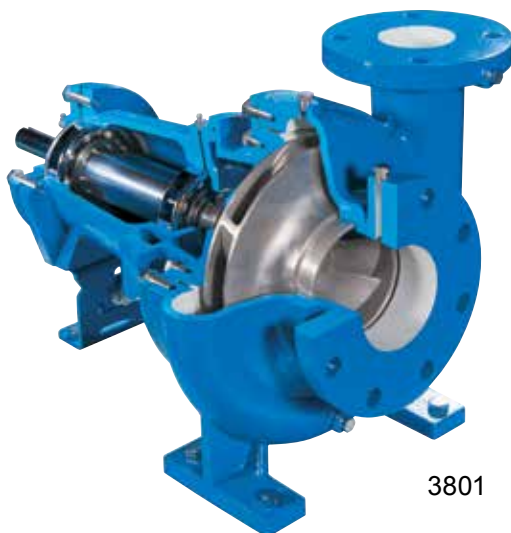
Note: "L" mounting dimension: .44 Slot = 3/8 in. Bolt .34 Diameter = 5/16 in.

Catalog Number	HP	Discharge (NPT)	A	B	C*	D	E	F	G	H	J	L
DHH-169	3	1-1/2	8.75	6.50	21.37	4.50	3.75	2.25	15.21	12.96	6.51	.44 SLOT
DHH3-169	3	1-1/2	6.50	6.50	19.87	3.50	2.75	2.50	14.45	12.20	6.51	.34 DIA.
DHJ-170	5	2	8.75	6.50	22.12	4.50	3.75	2.75	15.71	12.96	6.51	.44 SLOT
DHJ3-172	5	2	8.75	6.50	21.62	4.50	3.75	2.25	15.21	12.96	6.50	.44 SLOT
DMH-171	3	2	8.75	6.50	21.37	4.50	3.75	2.25	15.21	12.96	6.51	.44 SLOT
DMH3-171	3	2	6.50	6.50	19.87	3.50	2.75	2.50	14.45	12.20	6.51	.34 DIA.
DMJ-172	5	2-1/2	8.75	6.50	22.12	4.50	3.75	2.75	15.71	12.96	6.51	.44 SLOT
DMJ3-172	5	2-1/2	8.75	6.50	21.62	4.50	3.75	2.25	15.21	12.96	6.50	.44 SLOT

See page 517 for replacement parts.

AURORA® 3800 SERIES AND 410 SERIES

END SUCTION AND SPLIT CASE PUMPS



3801

Featured Highlights

- Multiple configurations available
- Models to 100 ft. TDH
- Compatible with Acu Drive™ XS VF Drive
- Cast Iron Stainless Steel Fitted Models
- Flooded Suction applications
- Highly reliable performance
- NSF approved models available
- Various flow capabilities for all applications
- Epoxy Coating option available
- ODP and TEFC motors in Standard and Premium efficiency available
- PS Series In-line Strainers match up to most Aurora pumps.

Pentair now offers the Aurora 3800 Series End Suction and the 410 Series Split Case Pumps for commercial pools, spas, and other water applications. The 3800 and 410 Series are available in horizontal and vertical configurations in horsepower's to 150 and flows to 8,000 GPM.

Ordering Information

Product	Description	Carton Wt. (Lbs.)
Please contact our factory (1-800-831-7133) for applications sizing, pricing, and availability.		
AURORA PUMP ACCESSORIES FLANGE ASSEMBLY KITS		
357259	Flange 2-1/2 in. w/ gasket and SS hardware ¹	16
357260	Flange 5 in. w/ gasket and SS hardware ¹	22
357261	Flange 3 in. w/ gasket and SS hardware ¹	18
357262	Flange 4 in. w/ gasket and SS hardware ¹	20
357263	Flange 6 in. w/ gasket and SS hardware ¹	23

¹ Thermoplastic PVC socket style.

CALIFORNIA PROPOSITION 65 WARNING

⚠️ **WARNING:** Cancer and Reproductive Harm.
 ⚠️ **AVERTISSEMENT:** Peut Causer le Cancer et des Dommages au Système Reproducteur.
 ⚠️ **ADVERTENCIA:** Cáncer y Daño Reproductivo.

www.p65warnings.ca.gov
PH200704

BERKELEY® B-SERIES

CENTRIFUGAL COMMERCIAL PUMPS



Featured Highlights

Where a large volume of water is needed, in flooded suction applications, Berkeley brand pumps can accommodate almost any water-moving needs. Berkeley brand pumps have been one of the top names in the water systems for decades. Once recognized for only being affiliated with irrigation and water systems, Berkeley pumps are now available in many configurations to be used in the following applications:

- Water features
- Water parks
- Aquaculture
- Commercial pools and spas

The pumps included in the chart below show just a small sampling of the many pump sizes and designs that are available. In addition, we offer a wide range of gpm/head configurations; 1200, 1750, or 3450 rpm motors; 50 or 60 Hz; optional high-efficiency motors; voltage, horsepower, and service factor options; lead-free bronze impellers; flange or threaded connection in many sizes; and packing or mechanical shaft seal design pumps. Flooded suction required. For a complete selection guide to help you size the pump(s) that best fit your needs, call our customer service at 1-800-831-7133, or use the convenient Berkeley Electronic Catalog (BEC) located at www.berkeleypumps.com.

- Berkeley pumps are not NSF approved.



Berkeley B-Series

CALIFORNIA PROPOSITION 65 WARNING

⚠️ **WARNING:** Cancer and Reproductive Harm.
 ⚠️ **AVERTISSEMENT:** Peut Causer le Cancer et des Dommages au Système Reproducteur.
 ⚠️ **ADVERTENCIA:** Cáncer y Daño Reproductivo.

www.p65warnings.ca.gov PN 2014A

Ordering Information

CALL FOR QUOTE

Product	General Pump Design Model	HP	Best Operating Performance G.P.M.	Connection at X ft. of Head	RPM	Flange (inches)
BERKELEY B-SERIES PUMPS						
B71943S	B3ZPMS	5 HP	350	40	1800	3 x 4
B71945S	B3ZPMS	7.5 HP	400	53	1800	3 x 4
B71947S	B3ZPMS	10 HP	500	60	1800	3 x 4
B71949S	B3ZPMS	15 HP	600	63	1800	3 x 4
B76775	B5EPHS	20 HP	950	60	1800	5 x 6
B76776	B5EPHS	25 HP	1050	65	1800	5 x 6
B75861	B4GPBHS	30 HP	1100	85	1800	4 x 6
B74945	B6JPBMS	40 HP	1500	80	1800	6 x 8
B76786	B8GPBMS	50 HP	2700	50	1800	8 x 10

Options: The above pumps have silicon bronze impellers, flanged connections, close-coupled, open drip-proof motors, and mechanical shaft seals. As mentioned in the text at the top of the page, many options are available. Please call our Customer Service at 800-831-7133 or try using the convenient "BEC" system at www.berkeleypumps.com.

HYDROBOOST™ BOOSTER PUMP

PRESSURE-SIDE CLEANER PUMP

TRADEGRADE



HydroBoost Booster Pump

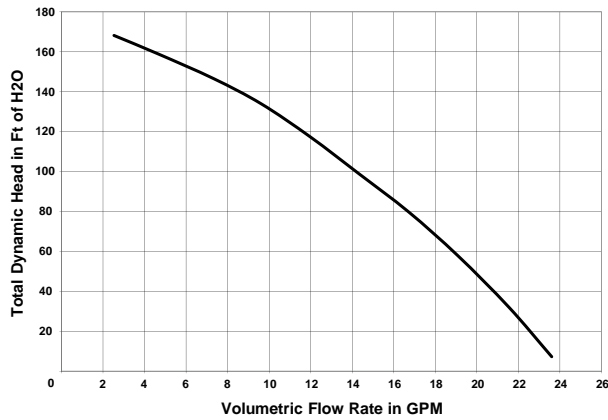
Featured Highlights

- Totally Enclosed Fan Cooled (TEFC) Motor to help reduce the chance of motor burnout
- Certified by ENERGY STAR®
- Quick installation
- Reliable operation
- THP: 0.8 WEF: 0.62

The HydroBoost™ Booster Pump provides high pressure water to your pressure side automatic pool cleaner. This booster pump is NOT self-priming and should not run unless the filter pump is running.

Ordering Information

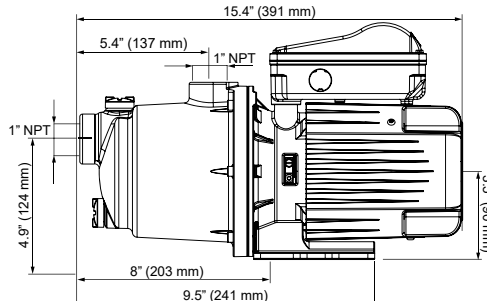
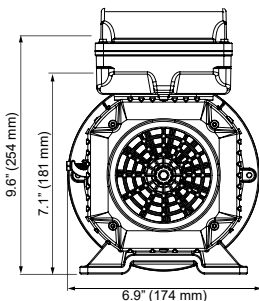
Product	Voltage	Full Load Amps	THP	WEF	Primary Listings and Certifications ²	Port Size (NPT)	Carton Wt. (Lbs.)
HYDROBOOST BOOSTER PUMP							
360526	115/230	9.0/4.5	0.8	0.62	UL ¹	1"	29.18
ACCESSORIES							
353040	Hose Kit (includes 3/4" - 1" Adapters (2); 6 ft. Hose (1))						



¹ 'UL' indicates that pump bears a specific UL mark signifying evaluation to U.S. Standards UL1081 for Permanently Connected Swimming Pool and Spa Pumps and to Canadian Standards CAN/CSA C22.2 No. 108-01 Liquid Pumps For Swimming Pools And Spas. (Enclosure 3).

² Product may have been evaluated to other state and local regulatory standards. Listing status may change. Always confirm status with appropriate agency if in doubt.

- **Pumps and replacement motors that are single speed and one (1) Total HP or greater cannot be sold, offered for sale, or installed in a residential pool for filtration use in California, Title 20 CCR sections 1601-1609.**



CALIFORNIA PROPOSITION 65 WARNING
⚠️ WARNING: Cancer and Reproductive Harm.
⚠️ AVERTISSEMENT: Peut Causer le Cancer et des Dommages au Système Reproducteur.
⚠️ ADVERTENCIA: Cáncer y Daño Reproductivo.
www.p65warnings.ca.gov PWS2017A

See page 520 for replacement parts.

BOOSTER PUMP

PRESSURE-SIDE CLEANER PUMP

Featured Highlights

- Use with all pressure-side pool cleaners
- Hose and adapters included
- Ideal for pressure-side Booster pump replacement

Combines ultimate performance with efficiency for pressure-side pool cleaner ease. The 3/4 HP booster pump is made from durable, corrosion-proof materials, and provides 50 psi at 12 GPM.

CALIFORNIA PROPOSITION 65 WARNING
 ⚠️ **WARNING:** Cancer and Reproductive Harm.
 ⚠️ **AVERTISSEMENT:** Peut Causer le Cancer et des Dommages au Système Reproducteur.
 ⚠️ **ADVERTENCIA:** Cáncer y Daño Reproductivo.
 www.p65warnings.ca.gov. PR202074



Booster Pump

Hose and adapters included



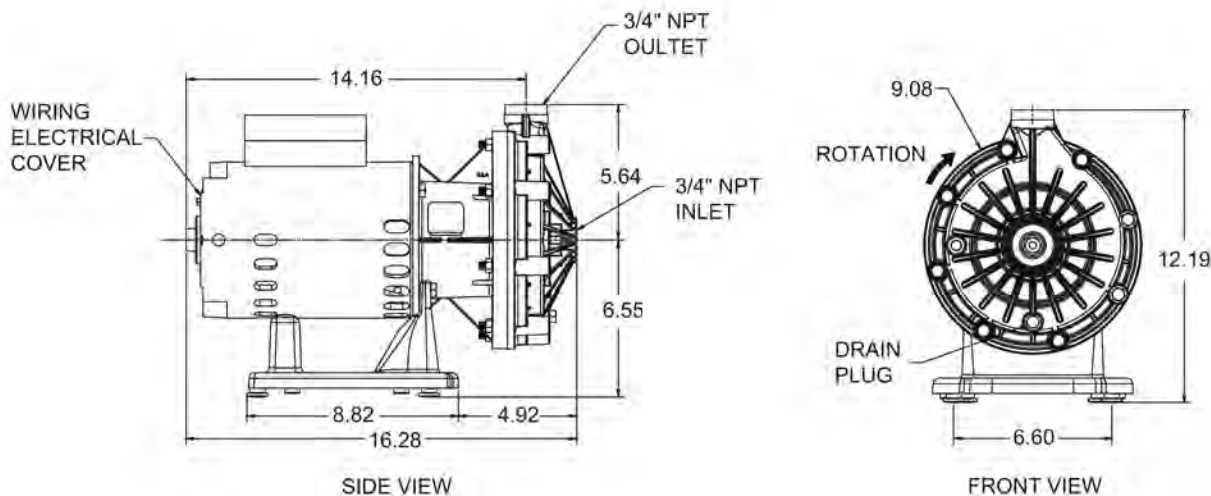
Ordering Information

Product	Voltage	Full Load Amps	HP	SF	SFHP	Primary Listings and Certifications ²	Port Size (NPT)	Carton Wt. (Lbs.)
ENERGY EFFICIENT SINGLE SPEED								
▶ LA01N	115/230	13.0/6.5	3/4	1.50	1.13	UL ¹	3/4 in. x 3/4 in.	32
ACCESSORIES								
353020	Booster Pump Hose Kit							4
370239	Booster Pump Adapter Kit (4 hose adapters in a bag, no hose)							

¹ 'UL(2)' indicates that pump bears a UL mark signifying evaluation to U.S. Standards UL1081 for Permanently Connected Swimming Pool Pumps Only.

² Product may have been evaluated to other state and local regulatory standards. Listing status may change. Always confirm status with appropriate agency if in doubt.

Dimensions and Performance



See page 522 for replacement parts.

▶ This product either meets or is exempt from the DOE Dedicated Purpose Pool Pump regulation. This product will remain available after the DOE regulation takes effect in July 2021.

PCD-1000 SUBMERSIBLE PUMP

STAINLESS STEEL SUBMERSIBLE POOL SERVICE PUMP



Submersible Pool Service Pump

Featured Highlights

- 115V, 60 Hz single phase, permanent split capacitor motor
- Automatic thermal overload protection
- Clog-resistant cast stainless steel impeller
- Accommodates water temperatures ranging from 32 degrees F to 130 degrees F
- Permanently lubricated ball bearings
- Equipped with 15-foot, 18/3 grounding type power cord
- Convenient top-mounted handle
- Rubber feet to eliminate scratching
- Optional float switch included

The PCD-1000 submersible, portable, high capacity pump designed for use by the professional in draining pools and spas as well as for general purpose applications, now has improved flow rates, and stainless steel casing, suction strainer, impeller and shaft for greater corrosion resistance and longer service life.

The PCD-1000 can pump water down to 1-3/8 inches in depth. Debris and stones up to 3/4 inch are able to pass through the pump. It also features a 1-1/4 inch discharge port for faster draining. Discharge port adapters are included. Optional float switch included; switch stops pump when low water level reached. Remove float switch for constant run.

CALIFORNIA PROPOSITION 65 WARNING
 ⚠️ **WARNING:** Cancer and Reproductive Harm.
 ⚠️ **AVERTISSEMENT:** Peut Causer le Cancer et des Dommages au Système Reproducteur.
 ⚠️ **ADVERTENCIA:** Cáncer y Daño Reproductivo.
www.p65warnings.ca.gov PW202104

Adaptors included:

- 1-1/4 in. Female NPT Elbow
- 1-1/4 in. Male NPT to 1-1/2 in. Female NPT Adaptor



Optional Float Switch Included



Ordering Information

Product	Description	Voltage	Full Load Amps	HP	Carton Wt. (Lbs.)
STAINLESS STEEL SUBMERSIBLE WITH BRASS BASE					
▶ PCD-1000	Submersible Utility Pump	115	6.4	3/4	15
ACCESSORIES					
ZBR46760	Replacement Float Switch				

Dimensions and Performance

Model	HP	Motor Full Load (Amps)	RPM	Minimum Circuit Req.	Liquid Temperature Range	Switch Setting		Pumps Down To
						On	Off	
PCD-1000	3/4	6.4	3450	15 amps	32/130°F 0/54°C	12" 30 cm	6" 15.2 cm	1 3/8" 3.5 cm

Pump Performance TDH/GPM						Shut Off Head
TDH	5'	10'	15'	20'	25'	28
GPM	55	45.5	36.5	25	8.5	N/A

▶ This product either meets or is exempt from the DOE Dedicated Purpose Pool Pump regulation. This product will remain available after the DOE regulation takes effect in July 2021.

PARTS-PAKS™ AND ACCESSORIES

POINT-OF-SALE, STOCK ROOM, SERVICE VEHICLE

OVERHAUL KITS – Attractive, clamshell packaging contains recommended parts for seal/gasket servicing or complete overhaul of most swimming pool/spa pumps. Eliminate the need for large parts inventories, protect parts from damage, and reduce paperwork.

Ordering Information

Pump Model by HP				
Product	PE, P2R	PEA, P2RA	PR	PRA
SEAL/GASKET KITS – Include shaft seal, gaskets, and O-rings				
PP1010	1/3	1/3, 1/2		1/2
PP1011	1/2	3/4	1/2	3/4
PP1012			3/4	1
PP1014	3/4	1		
PP1016	1	1-1/2		
PP1017	2	2-1/2	2	2-1/2
PP1018	1-1/2	2		
PP1019	3			

CALIFORNIA PROPOSITION 65 WARNING

⚠ **WARNING:** Cancer and Reproductive Harm.
 ⚠ **AVERTISSEMENT:** Peut Causer le Cancer et des Dommages au Système Reproducteur.
 ⚠ **ADVERTENCIA:** Cáncer y Daño Reproductivo.

www.p65warnings.ca.gov



Pump Model by HP			
Product	CH, LT, L1	LHA, LTA, L1A	PCD
SEAL/GASKET KITS – Include shaft seal, gaskets, and O-rings			
PP1080	1/6		
PP1081	1/3	1/2	
PP1082	1/2	3/4	
PP1682			1/2

Pump Model by HP			
Product	P4E, P4R	P4EA, P4RA	MPRA, MPEA
SEAL/GASKET KITS – Include shaft seal, gaskets, and O-rings			
PP4010	3/4	1	
PP4011	1	1-1/2	
PP4012	1-1/2	2	
PP4013	2	2-1/2	
PP4014	3		
PP3010			3/4
PP3011			1
PP3012			1-1/2
PP3013			2

Product	Description	Carton Wt. (Lbs.)
SEAL/GASKET KITS – Include shaft seal, gaskets, and O-rings		
PP1075	LH, LHA, LT, LTA, L1, L1A - All HP	
PP3000	MPRA, MPEA - All HP	
PP1000	PE, PEA, PR, PRA, P2R, P2RA (models with copper insert pre-1998) - All HP	
PP4000	P4E, P4EA, P4R, P4RA (models with copper insert pre-1998) - All HP	
PP1200	PE, PEA, P2R, P2RA (models without copper insert beginning 1998) - All HP	
PP4200	P4E, P4EA, P4R, P4RA (models without copper insert beginning 1998) - All HP	
TRAP LID KITS – Include trap lid and trap lid o-ring		
PP2075	PE, PEA, PR, PRA, P2R, P2RA (with 5 in. trap – standard) - ALL HP	
PP4075	P4E, P4EA, P4R, P4RA, MPR, MPE (with 6 in. trap – standard) - ALL HP	
PUMP CONNECTOR UNION HALF (WILL NOT FIT DJ OR TP SERIES PUMPS)		
PKG 188Z	2 in. Union x 2 in. Slip, 2 per Pkg.	1
PKG 189	2 in. Union x 2 in. FPT, 2 per Pkg.	1
77703-0100	2 in. Union x 1-1/2 in. FPT, 2 per Pkg.	1
77703-0101	2 in. Union x 1-1/2 in. Slip, 2 per Pkg.	1
PUMP BASE NOISE REDUCER		
17350-0008	Rubber Pump Base Pad for MPR, P4R, P4E, TPR, TPE Models	1
SEAL KIT - CHEMICAL/SALT/OZONE RESISTANT EPDM & SS SEALS		
356196	Seal Quick Kit Max-E-Pro / IntelliPro and VS Pumps Chemical/Salt/Ozone Resistant EPDM & SS	1
356197	Seal Quick Kit SuperFlo /SuperMax and VS Pumps Chemical/Salt/Ozone Resistant EPDM & SS	
356198	Seal Quick Kit WhisperFlo/IntelliFlo and VS Pumps Chemical/Salt/Ozone Resistant EPDM & SS	
356199	Seal Quick Kit Challenger Pumps Chemical/Salt/Ozone Resistant EPDM & SS	

HAIR AND LINT STRAINER PACKAGES

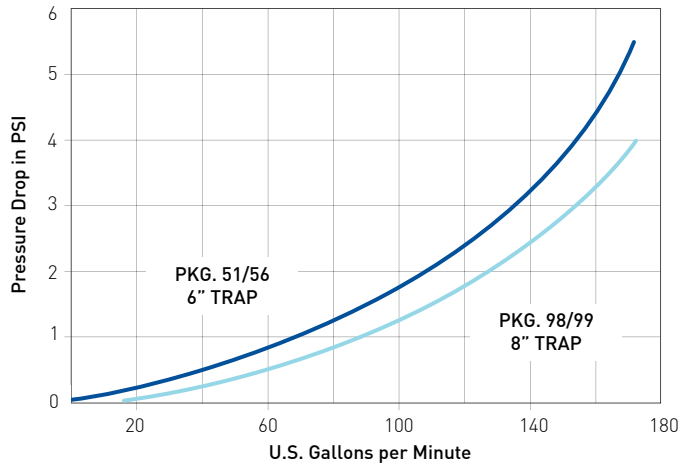


Ordering Information

Product	Description	Suction Port Size	Carton Wt. (Lbs.)
HAIR AND LINT STRAINER PACKAGES			
PKG 115	5 in. Trap with Basket (For Dura-Glas, Max-E-Glas and JWP Pumps)	1-1/2 in. NPT	5
PKG 51	6 in. Cast Iron Trap with Basket (For C, CC, and D Series Pumps)	2 in. NPT	20
PKG 56	6 in. Bronze Trap with Basket (For C, CC, and D Series Pumps)	2 in. NPT	20
PKG 98	8 in. Cast Iron Trap with Basket (For C, CC, and D Series Pumps)	3 in. NPT	40
PKG 76	Cast Iron Flange for Remote Trap Install	3 in. NPT	4
PKG 161	6 in. PPO Resin Strainer (For P2R, PE Series, Dura-Glas and Max-E-Glas Pumps)	2 in. NPT	6
PKG 184	CSP Series Hair and Lint Strainer (1100 cu. in. capacity)	6 in. ANSI Flange	180
PKG 184C	CCSP Series Hair and Lint Strainer – Coated (1100 cu. in. capacity)	6 in. ANSI Flange	180
PKG 73	3 in. Suction Flange (For C, CC, and D Series Pumps)		
PKG 72	2.5 in. Suction Flange (For C, CC, and D Series Pumps)		
PKG 52	1.5 in. Suction Flange (For C, CC, and D Series Pumps)		
PKG 53	1.5 in. Suction Flange (For C, CC, and D Series Pumps)		

CALIFORNIA PROPOSITION 65 WARNING
 ⚠️ **WARNING:** Cancer and Reproductive Harm.
 ⚠️ **AVERTISSEMENT:** Peut Causer le Cancer et des Dommages au Système Reproducteur.
 ⚠️ **ADVERTENCIA:** Cáncer y Daño Reproductivo.
www.p65warnings.ca.gov

Dimensions and Performance



PKG 76



PKG 98 - 8 in.

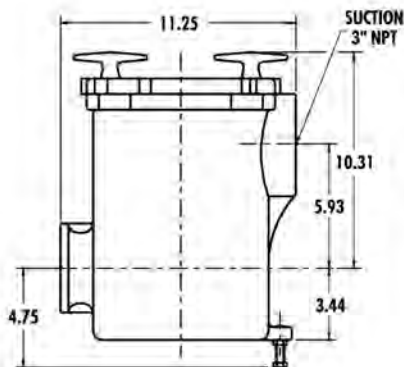


PKG 184 - 8 in.

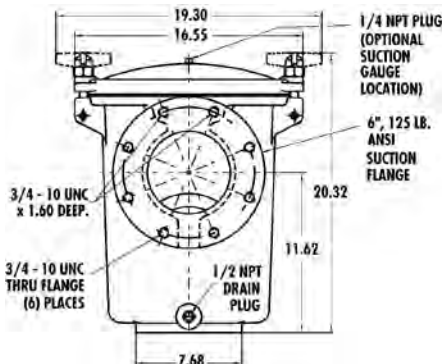


PKG 51 - 5 in. OR 6 in.

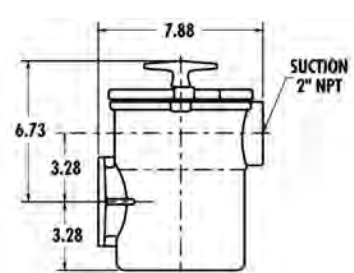
PKG 98/99 - 8 INCH TRAP



PKG 184/184C



PKG 51/56 - 6 INCH TRAP



PS SERIES™ IN-LINE STRAINER

FOR COMMERCIAL SERIES PUMPS

Featured Highlights

- Designed for hydraulic performance
- Clear lid with easy access allows for simple visibility of debris
- Extra large stainless steel strainer basket
- 50 psi rating
- NSF listed



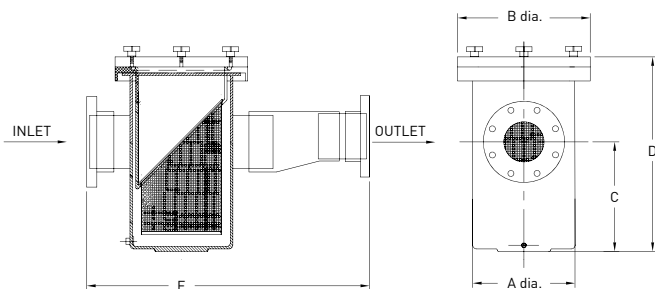
PS Series In-Line Strainer

CALIFORNIA PROPOSITION 65 WARNING
 ⚠️ **WARNING:** Cancer and Reproductive Harm.
 ⚠️ **AVERTISSEMENT:** Peut Causer le Cancer et des Dommages au Système Reproducteur.
 ⚠️ **ADVERTENCIA:** Cáncer y Daño Reproductivo.
www.p65warnings.ca.gov P65-2015-14

The Commercial PS Series In-Line Strainers from Pentair are designed for ease of installation and hydraulic efficiencies in commercial aquatics applications. In three standard sizes and with the addition of eccentric reducers PS Series strainers fit with almost any plumbing configuration. The design of the PS Series accommodates the high-flow performance in a variety of applications. ANSI flange bolt pattern allows for ease of installation and peace of mind.

Ordering Information

Product	Description	Flange Size		Typical Max. Flow (GPM)	A (Inches)	B (Inches)	C (Inches)	D (Inches)	E (Inches)
		Inlet (suction)	Outlet (pump)						
PS SERIES 6 INCH SUCTION									
PS6X6	Straight	6 in.	6 in.	540	12-3/4	16-1/2	13-5/8	25-1/2	23-5/8
PS6X5E	Eccentric Reducing	6 in.	5 in.	540	12-3/4	16-1/2	13-5/8	25-1/2	35-1/4
PS6X4E	Eccentric Reducing	6 in.	4 in.	540	12-3/4	16-1/2	13-5/8	25-1/2	32-7/8
PS6X3E	Eccentric Reducing	6 in.	3 in.	540	12-3/4	16-1/2	13-5/8	25-1/2	38
PS SERIES 8 INCH SUCTION									
PS8X8	Straight	8 in.	8 in.	930	12-3/4	16-1/2	13-5/8	25-1/2	23-3/8
PS8X6E	Eccentric Reducing	8 in.	6 in.	930	12-3/4	16-1/2	13-5/8	25-1/2	35-7/8
PS8X5E	Eccentric Reducing	8 in.	5 in.	930	12-3/4	16-1/2	13-5/8	25-1/2	43-1/2
PS8X4E	Eccentric Reducing	8 in.	4 in.	930	12-3/4	16-1/2	13-5/8	25-1/2	41-1/4
PS SERIES 10 INCH SUCTION									
PS10X10	Straight	10 in.	10 in.	1470	12-3/4	16-1/2	20-5/8	32-1/2	24-1/2
PS10X8E	Eccentric Reducing	10 in.	8 in.	1470	12-3/4	16-1/2	20-5/8	32-1/2	38-3/4
PS10X6E	Eccentric Reducing	10 in.	6 in.	1470	12-3/4	16-1/2	20-5/8	32-1/2	47
PS10X5E	Eccentric Reducing	10 in.	5 in.	1470	12-3/4	16-1/2	20-5/8	32-1/2	54-1/2
BASKETS									
67150	PS6 and PS8 Basket								
67152	PS10 Basket								



Dimensions and Performance

1. Select inlet size based on size of suction pipe. Use chart above to determine Typical Max. Flow in pipe size based on flow velocity of 6 fps.
2. Select strainer outlet size to match pump inlet where practical.
3. Also available with custom flange sizes. Call factory for more information.

CONVERSION REFERENCE CHARTS

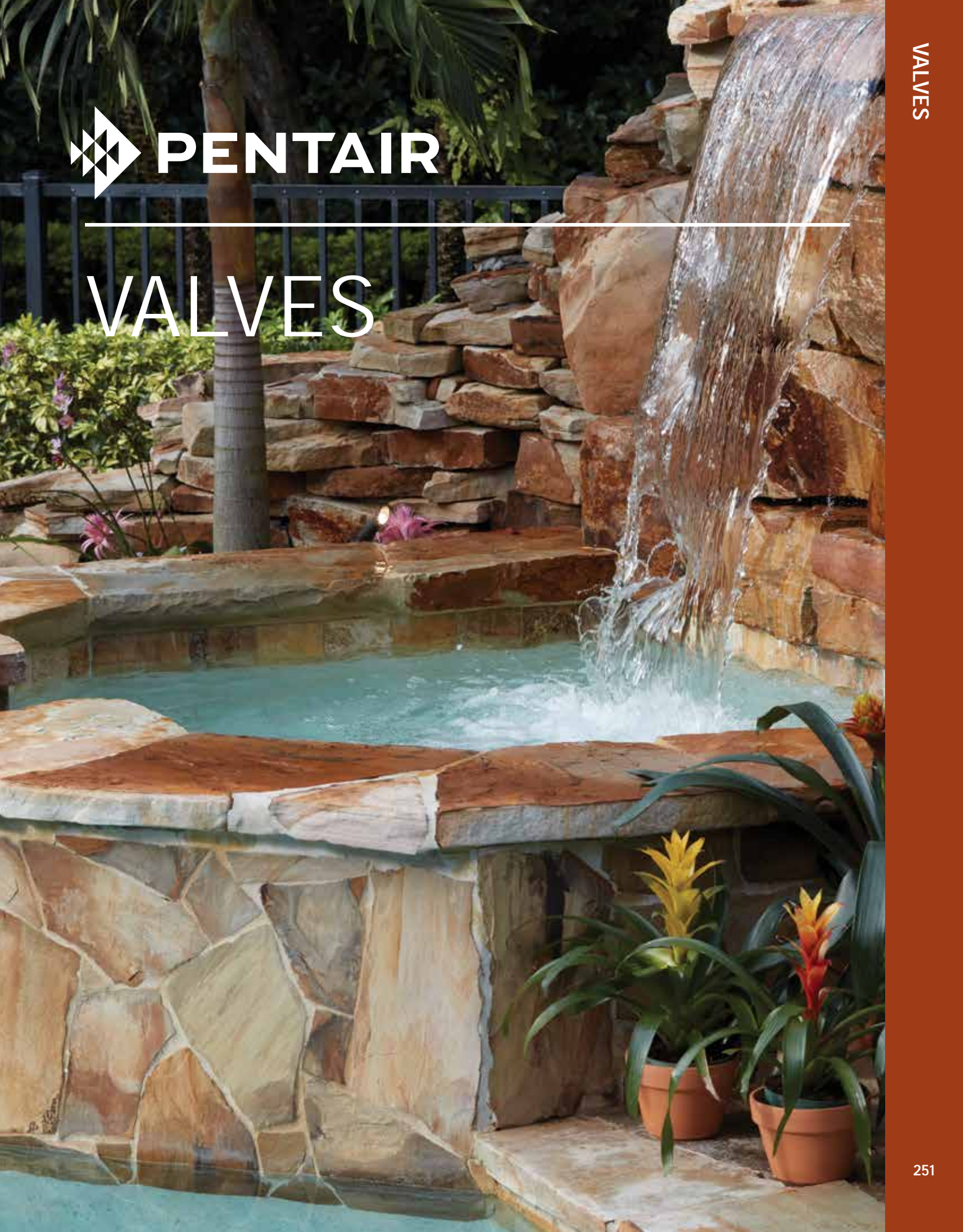
1 U.S. Gallon/Minute = 0.22712470704 Cubic Meter/Hour
1 U.S. Gallon/Minute = 0.83267418463 UK Gallon/Minute
1 Foot of Water/Head = 0.30487804878 Meter of Water/Head
1 Foot of Water/Head = 0.43352750193 Pound/Square Inch

Pressure to Head Conversion		
Feet of Water	Meters of Water	PSI
10	3.05	4.34
20	6.10	8.67
30	9.15	13.01
40	12.20	17.34
50	15.24	21.68
60	18.29	26.01
70	21.34	30.35
80	24.39	34.68
90	27.44	39.02
100	30.49	43.35
110	33.54	47.69
120	36.59	52.02
130	39.63	56.36
140	42.68	60.69
150	45.73	65.03

Volumetric Flow Rate Conversion		
US Gallons per Minute	Cubic Meters per Hour	British Gallons per Minute
10	2.27	8.33
20	4.54	16.65
30	6.81	24.98
40	9.09	33.31
50	11.36	41.64
60	13.63	49.96
70	15.90	58.29
80	18.17	66.62
90	20.44	74.94
100	22.71	83.27
110	24.98	91.60
120	27.26	99.92
130	29.53	108.25
140	31.80	116.58
150	34.07	124.91
160	36.34	133.23
170	38.61	141.56
180	40.88	149.89
190	43.15	158.21
200	45.43	166.54
210	47.70	174.87
220	49.97	183.19
230	52.24	191.52
240	54.51	199.85
250	56.78	208.18
260	59.05	216.50
270	61.32	224.83
280	63.60	233.16
290	65.87	241.48
300	68.14	249.81
310	70.41	258.14
320	72.68	266.46
330	74.95	274.79
340	77.22	283.12
350	79.49	291.45
360	81.77	299.77
370	84.04	308.10
380	86.31	316.43
390	88.58	324.75
400	90.85	333.08



VALVES



DIVERTER AND CHECK VALVES – 1-1/2 IN. AND 2 IN.

2-WAY, 3-WAY AND CHECK

263027



263026



263042



Featured Highlights

- All valves available in CPVC or PVC
- Maintenance-free PTFE coated diverter seal
- Optimum positive-seal
- High Flow Rate
- Fiberglass reinforced handle
- Withstands pressure up to 150 psi
- Chemical-resistant
- Used for diverting, shut-off or mixing applications
- Accepts 1-1/2 in., 2 in., and 2-1/2 in. PVC plumbing
- Field-adjustable stop positions
- Plumbed with inlet at any port
- Designed to work with most industry standard actuators

CALIFORNIA PROPOSITION 65 WARNING

⚠ **WARNING:** Cancer and Reproductive Harm.
 ⚠ **AVERTISSEMENT:** Peut Causer le Cancer et des Dommages au Système Reproducteur.
 ⚠ **ADVERTENCIA:** Cáncer y Daño Reproductivo.
www.p65warnings.ca.gov

Ordering Information

Product	Description	Carton Qty.	Carton Wt. (Lbs.)
2-WAY AND 3-WAY DIVERTER VALVES			
263026	3-Way CPVC 2 in. (2-1/2 in. slip outside)	1	2
263027	2-Way CPVC 2 in. (2-1/2 in. slip outside)	1	2
263028	3-Way PVC 2 in. (2-1/2 in. slip outside)	1	2
263029	2-Way PVC 2 in. (2-1/2 in. slip outside)	1	2
263035	3-Way CPVC 1-1/2 in. (2 in. slip outside)	1	2
263036	2-Way CPVC 1-1/2 in. (2 in. slip outside)	1	2
263037	3-Way PVC 1-1/2 in. (2 in. slip outside)	1	2
263038	2-Way PVC 1-1/2 in. (2 in. slip outside)	1	2
263047	3-Way Solar Valve w/ drain-down, CPVC 2 in. (2-1/2 in. slip outside)	1	2
CHECK VALVES			
263042	Check Valve CPVC 2 in. (straight 2-1/2 in. slip outside)	1	2
263042Z	Check Valve Rebuild Kit		



263027



263029



263026



263028

PVC Valves not recommended for climates that can reach air temperatures of over 104°F.

See page 538 for replacement parts.

FULLFLOXF[®] DIVERTER & CHECK VALVES 2-1/2 IN. & 3 IN.

2-WAY, 3-WAY AND CHECK

Featured Highlights

- Valves available in CPVC for maximum heat resistance
- Maintenance-free PTFE coated diverter seal
- Optimum positive-seal
- Maximum Flow Rate, low head loss
- Chemical-resistant
- Used for diverting, shut-off or mixing applications
- Accepts 2-1/2 in. and 3 in. PVC plumbing
- Field-adjustable stop positions
- Plumbed with inlet at any port
- Designed to work with most industry standard actuators

CALIFORNIA PROPOSITION 65 WARNING

⚠ **WARNING:** Cancer and Reproductive Harm.
 ⚠ **AVERTISSEMENT:** Peut Causer le Cancer et des Dommages au Système Reproducteur.
 ⚠ **ADVERTENCIA:** Cáncer y Daño Reproductivo.
www.p65warnings.ca.gov



263059



263060



263056/263057



263068



263077

Ordering Information

Product	Description	Carton Qty	Carton Wt (Lbs)
2-WAY AND 3-WAY DIVERTER VALVES			
263056	3-Way CPVC 2.5 in. (3 in. slip outside)	1	4
263057	3-Way Solar Valve w/ drain-down, CPVC 2.5 in. (3 in. slip outside)	1	4
263059	2-Way CPVC 2.5 in. (3 in. slip outside)	1	4
263068	90 degree 2-way CPVC 2.5 in. (3 in. slip outside)	1	4
2-WAY AND 90 DEGREE CHECK VALVES			
263060	Check Valve CPVC 2.5 in. (3 in. slip outside)	1	4
263077	90 degree Check Valve CPVC 2.5 in. (3 in. slip outside)	1	3
270119Z	Check Valve Rebuild Kit		

PRE-PLUMBED VALVES

BACKWASH VALVES FOR 1-1/2 & 2 IN. D.E. AND SAND FILTERS

Side mounted HiFlow™ and Multiport Valves are designed for maximum performance and working pressures. Available in 1-1/2 and 2 in. threaded or slip models.

CALIFORNIA PROPOSITION 65 WARNING
 ⚠️ **WARNING:** Cancer and Reproductive Harm.
 ⚠️ **AVERTISSEMENT:** Peut Causer le Cancer et des Dommages au Système Reproducteur.
 ⚠️ **ADVERTENCIA:** Cáncer y Daño Reproductivo.
 www.p65warnings.ca.gov. PA 201514

Featured Highlights

- PVC body
- The right valve for easy operation
- Six-position, positive-lock operation
- Special winterizing position

Ordering Information

Product	Description	Carton Qty.	Carton Wt. (Lbs.)
MULTIPOINT VALVE KIT FOR FILTERS, SLIP			
261055	2 in. MPV, for Triton & Quad D.E. filters [SM 20-3] 7-1/2 in. Centerline	1	10
261152	2 in. MPV, for FNS, FNS Plus & NSP filters [SM 20-2] 7-1/2 in. Centerline	1	10
261173	1-1/2 in. MPV, for Triton & Quad D.E. filters [SM 10-3] 7-1/2 in. Centerline	1	6
261177	1-1/2 in. MPV, for FNS, FNS Plus & NSP filters [SM 10-2] 7-1/2 in. Centerline	1	7
HIFLOW VALVE KIT FOR FILTERS, SLIP			
261050	2 in., w/ bulkhead fittings, for Triton & Quad D.E. filters, 7-1/2 in. Centerline	1	11
261142	2 in., w/ bulkhead fittings, for FNS, FNS Plus & NSP filters, 7-1/2 in. Centerline	1	11
PVC SLIDE VALVE, SLIP			
263064	Push Pull Valve, 7-1/2 in. Center, PVC, Almond	1	4.5
263079	2 in. w/o bulkhead fittings for D.E. and sand filters, 7-1/2 in. Centerline	1	3
FULLFLOXF BACKWASH VALVES			
262507	Sta-Rite version for System 3 Mod D.E., inlet on top, with Sta-Rite offset adapters glued on	1	11
262508	Sta-Rite version for System 3 D.E. and Sand, inlet on bottom, with Sta-Rite offset adapters glued on	1	10
262509	Valve with filter inlet port on top, no fittings, only valve	1	10
262511	Valve with filter inlet port on bottom, no fittings, only valve	1	10
263080	Valve for Sand and Quad D.E., inlet port on top, Pentair 2 in. unions glued on	1	12
263081	Valve for D.E., inlet port on bottom, Pentair 2 in. unions glued on	1	12



HiFlow Valve Kit
261050



PVC Slide Valve
Kit
263064



Multiport Valve Kit
261055



FullFloXF®
Backwash
Valve Kit
263080

HIFLOW™ VALVE

BACKWASH VALVE FOR SIDE MOUNTED SAND & D.E. FILTERS

Featured Highlights

- PVC body
- Large, one-piece handle for trouble-free operation
- Six-position, positive-lock operation
- Noryl heavy-duty diverter
- 2 in. ports for unrestricted flow
- Specific Valves for D.E. and sand applications
- Special winterizing position

The side mounted HiFlow valve is designed for maximum performance and working pressures. Available in 2 in. slip models.



HiFlow Valve 261049

CALIFORNIA PROPOSITION 65 WARNING

⚠ **WARNING:** Cancer and Reproductive Harm.
 ⚠ **AVERTISSEMENT:** Peut Causer le Cancer et des Dommages au Système Reproducteur.
 ⚠ **ADVERTENCIA:** Cáncer y Daño Reproductivo.
www.p65warnings.ca.gov

Ordering Information

Product	Description	Carton Qty.	Carton Wt. (Lbs.)
HIFLOW VALVE			
261049	2 in. HiFlow Valve, no plumbing	1	10

TA TAGELUS® FILTER VALVES

1-1/2 AND 2 IN. BACKWASH VALVES FOR TOP MOUNT SAND FILTER



262525

Featured Highlights

- ABS body
- Large, one-piece handle for trouble-free operation
- Six-position, positive-lock operation
- Heavy-duty diverter
- Special winterizing position

The top mounted HiFlow™ and Multiport Valves are designed for maximum sand filter backwash performance and precise water flow. Available in 1-1/2 and 2 in. threaded.

CALIFORNIA PROPOSITION 65 WARNING

⚠ **WARNING:** Cancer and Reproductive Harm.
 ⚠ **AVERTISSEMENT:** Peut Causer le Cancer et des Dommages au Système Reproducteur.
 ⚠ **ADVERTENCIA:** Cáncer y Daño Reproductivo.
www.p65warnings.ca.gov

Ordering Information

Product	Description	Carton Qty.	Carton Wt. (Lbs.)
TOP MOUNT MULTIPORT VALVES			
261124	1-1/2 in. TA Valve, "V" thread (TM 12-A), 6 in. Neck Size ¹	1	5
262504	1-1/2 in. TA Valve, Buttruss thread (TM 12-B), 6 in. Neck Size ²	1	6
262505	1-1/2 in. TA to TA D Conversion Kit w/ valve, , 6 in. Neck Size ¹	1	6
261185	2 in. TA D (TA 100D only), clamp, 8 in. Neck Size	1	8
262506	1-1/2 in. TA D (TA 30/40/50/60D), clamp, 6 in. Neck Size ¹	1	6
263085	2 in. (TA60, SD80, CFII26), clamp, 6 in. Neck Size without unions	1	8
262525	2 in. (TA60, SD80, CFII26), clamp, 6 in. Neck Size with unions	1	6

¹ For filters manufactured before 12-1-91.

² For filters manufactured after 12-1-91.



262506



262505



261185

SLIDE VALVES

ABS SLIDE VALVES/MULTIPOINT VALVES (SIDE MOUNT)



Featured Highlights

- Six-position dial-type valves offer convenience, ease of use and efficient operation
- Includes connecting pipe to match side ports in sand and D.E. filters
- 2 in. PVC unions for filter-to-valve connection
- Positive seal prevents leakage between ports



18201-0110

Featured Highlights

- Two-position backwash valves have minimal flow restriction
- Innovative handle design allows easier operation; pin locks valve in filter position
- Connects directly to side ports in D.E. or sand filters with 2 in. PVC unions



263053

Ordering Information

Product	Description	Valve Port Size	Carton Wt. (Lbs.)
SLIDE VALVES - UNION CONNECTION DESIGN			
263053	Push Pull Valve, 7.81 in. Center	2 in.	4
SLIDE VALVES - HOSE CONNECTION DESIGN ¹			
263078	Slide Valves, 2 position, Plastic	2 in.	5
MULTIPOINT VALVES - UNION CONNECTION DESIGN			
18201-0300	ABS 6-Position Valve (for System 3 Mod DE)	2 in.	8
18202-0250	ABS 6-Position Valves with piping	1-1/2 in.	6
18202-0150	ABS 6-Position Valves with 1-1/2 in. piping	1-1/2 in.	6
18201-0200	ABS 6-Position Valves with piping	2 in.	10
MULTIPOINT VALVES - UNION CONNECTION DESIGN ¹			
18202-0150H	ABS 6-Position Valves (hoses not included)	1-1/2 in.	6
18201-0200H	ABS 6-Position Valves (hoses not included)	2 in.	9
ACCESSORIES - HOSE CONNECTOR KITS - VALVE TO FILTER			
24750-0624	1-1/2 in. x 2 in. Connector		1

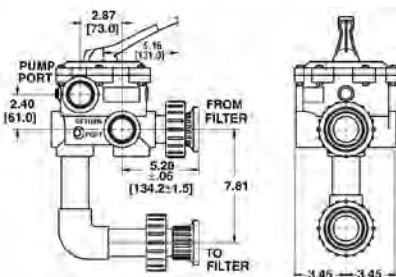
¹ Replacement Valves for Old Design Filters.

CALIFORNIA PROPOSITION 65 WARNING
 ⚠️ **WARNING:** Cancer and Reproductive Harm.
 ⚠️ **AVERTISSEMENT:** Peut Causer le Cancer et des Dommages au Système Reproducteur.
 ⚠️ **ADVERTENCIA:** Cáncer y Daño Reproductivo.
www.p65warnings.ca.gov PK32075A

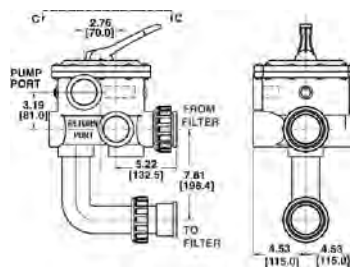
Dimensions and Performance



Certified to NSF/ANSI Standard 50



1-1/2 in. Multipoint Valve
18201-0110

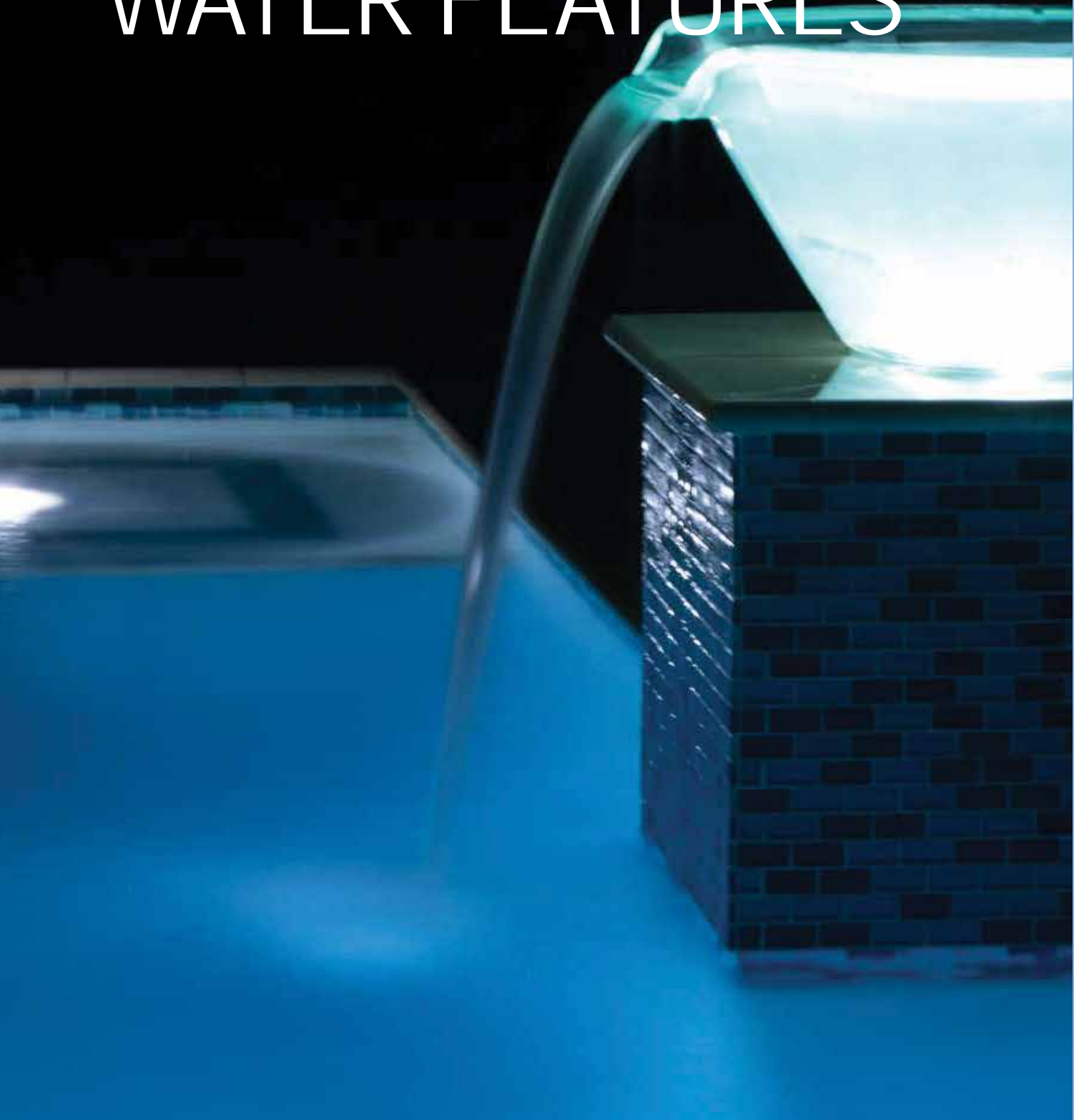


2 in. Multipoint Valve
18201-0300

See page 547 and 551 for replacement parts.



WATER FEATURES



MAGICSTREAM® LAMINAR

Featured Highlights

- Microprocessor-controlled LED light source has the ability to synchronize with the IntelliBrite® 5g LED Pool Lighting for dynamic and synchronized colored light shows
- Provides 5 brilliant fixed colors, 7 dazzling light shows
- Nighttime lighting effects include the ability to hold on a steady color or scroll through a range of available colors.
- Installation is made flush to your deck or other surface; no unsightly or unsafe edges
- Laminar deck lids are available in tan, black, and gray
- The technical principal behind MagicStream Laminars is to remove all turbulence and air bubbles from the water before projecting it through a finely-machined nozzle. The laminar water flow is very non-turbulent, so it keeps its surface tension and flows through the air in a smooth, clean, unbroken stream, instead of spraying apart into droplets.
- Low voltage operation of 12 VAC/16W
- Low flow requirements allow for multiple units per pool
- The perfect complement to IntelliBrite 5g LED Pool Lighting for dynamic and synchronized colored light shows



MagicStream Laminar

TRADEGRADE



MagicStream Laminars with 100% synchronization with IntelliBrite 5g LED color and white lights create clear, uniform arcs of moving water that originate from either a pool deck or surrounding landscape. At night, these translucent streams are brilliantly colored, creating a water effect that adds elegant entertainment to your poolscape. It is fully compatible with the IntelliBrite® 5G line of LED pool lights, optional Color Sync Controller and IntelliCenter®, EasyTouch® and IntelliTouch® Automation Systems. Custom program and control light shows using an indoor control panel, wireless remote and the ScreenLogic® Interface using your smart phone, computer or mobile digital device.

Ordering Information

Product	Description	Carton Qty.	Carton Wt.
MAGICSTREAM LAMINARS			
580001B	Laminar LED, Black Lid - 100 ft. cord	1	21
580001G	Laminar LED, Gray Lid - 100 ft. cord	1	21
580001T	Laminar LED, Tan Lid - 100 ft. cord	1	21
580038	Laminar LED, Tan Lid - 150 ft. cord	1	28
580039	Laminar LED, Black Lid - 150 ft. cord	1	28
580040	Laminar LED, Gray Lid - 150 ft. cord	1	28
TRANSFORMERS (LANDSCAPE AND POOL RATED)			
619962	12V-14V 100W	1	12
619963	12V-14V 300W	1	12

CALIFORNIA PROPOSITION 65 WARNING
 ⚠️ **WARNING:** Cancer and Reproductive Harm.
 ⚠️ **AVERTISSEMENT:** Peut Causer le Cancer et des Dommages au Système Reproducteur.
 ⚠️ **ADVERTENCIA:** Cáncer y Daño Reproductivo.
www.p65warnings.ca.gov

Dimensions and Performance

Laminars Performance Data		
Gallons (US GPM)	6.0	7.5
Inlet Pressure (psi)	2.5	3.5
Height of Jet (Ft.)	5.0	6.0

See page 558 for replacement parts.

MAGICBOWL® WATER EFFECT WITH FIREFX® LED LIGHT

TRADEGRADE



NEW!
MagicBowl Water Effect
Square Tempered Glass

Featured Highlights

- Low voltage LED lights and flow requirements make it affordable to own and operate
- Efficient LED lights provide light shows or warm flickering glow
- Sculpted from durable, UV-resistant material
- Now available in tempered, semi-transparent glass construction
- Bowls available in 7 designer colors
- Automation compatible for added convenience and control

Low-voltage LED lights and low-flow requirements allow for multiple fountains, making MagicBowl beautifully affordable. It's also easy to install, which is perfect for new pool construction or remodels. The MagicBowl light feature has two programmable options: one for the alluring fire effect and another for vibrant IntelliBrite® LED 5G Pool and Spa Lights color displays.

NOTE: FireFX LED Lights are not included and are sold separately. If installing a bowl without a light, the mounting niches must be ordered separately.

Ordering Information

Product	Description	Carton Qty	Carton Wt.
ROUND (WITHOUT LIGHT ENGINE)			
580064	Round Glass, MagicBowl	1	65
580041	Round Copper, MagicBowl	1	66
580042	Round Bronze, MagicBowl	1	66
580043	Round Pewter, MagicBowl	1	66
580044	Round Brass, MagicBowl	1	66
580046	Round Gray, MagicBowl	1	66
580047	Round Natural, MagicBowl	1	66
MAGICBOWL ACCESSORIES			
590157	Mounting Niche	1	1
580057	Winterizing Cover, Round	1	5
580058	Winterizing Cover, Square	1	5
590188	2" SS Metal Lip Extension, Square Resin Bowl	1	1
590189	2" SS Metal Lip Extension, Round Resin Bowl	1	1
590254	2" Clear Plastic Lip Extension, Round Resin Bowl	1	1
590255	2" Clear Plastic Lip Extension, Square Resin Bowl	1	1
590256	2" Clear Plastic Lip Extension, Square Glass Bowl	1	1
590246	2" Clear Plastic Lip Extension, Round Glass Bowl	1	1

Product	Description	Carton Qty	Carton Wt.
SQUARE (WITHOUT LIGHT ENGINE)			
580069	Square Glass, MagicBowl	1	87
580048	Square Copper, MagicBowl	1	93
580049	Square Bronze, MagicBowl	1	93
580050	Square Pewter, MagicBowl	1	93
580051	Square Brass, MagicBowl	1	93
580053	Square Gray, MagicBowl	1	93
580054	Square Natural, MagicBowl	1	93
LED LIGHT ENGINE			
580055	100' LED Light Engine with mounting niche	1	14
580056	150' LED Light Engine with mounting niche	1	14

Actual finish and colors may vary due to slight differences in material make-up and/or the fabrication process. Please use as a guideline only.

CALIFORNIA PROPOSITION 65 WARNING

⚠ **WARNING:** Cancer and Reproductive Harm.
⚠ **AVERTISSEMENT:** Peut Causer le Cancer et des Dommages au Système Reproducteur.
⚠ **ADVERTENCIA:** Cáncer y Daño Reproductivo.

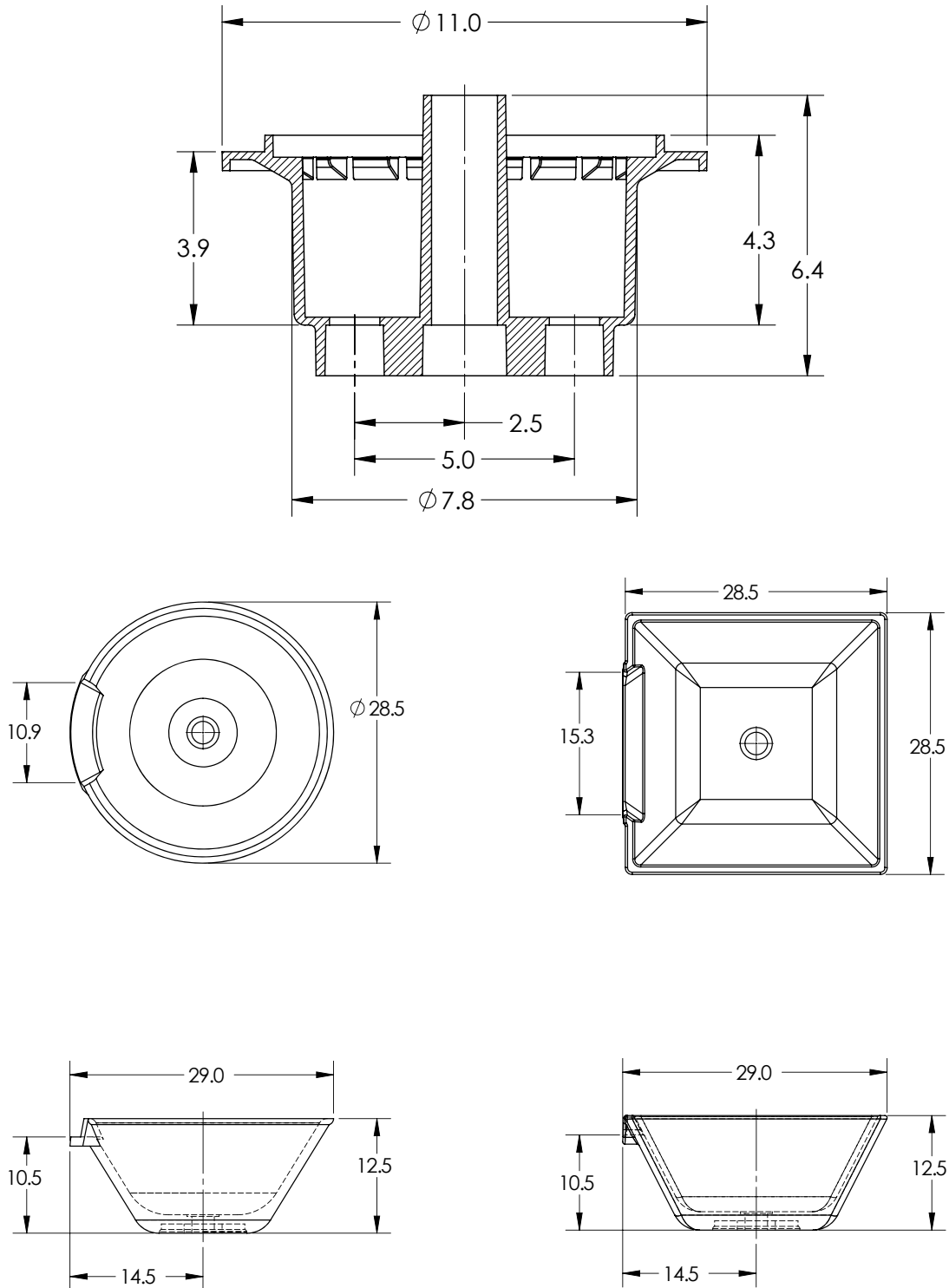
www.p65warnings.ca.gov
PN 22/01A

All Pentair UL Listed underwater lights are certified for use in fresh water with up to 6,000 ppm salinity.

See page 559 for replacement parts.

MAGICBOWL[®] WATER EFFECT WITH FIREFX[®] LED LIGHT

Dimensions and Performance



COLORVISION® BUBBLER WITH GLOBRITE® LED LIGHTS

TRADEGRADE



Featured Highlights

- Energy efficient color LED lights with vibrant colors
- Provides 5 brilliant fixed colors, 7 dazzling light shows
- Designed for 2 in. - 10 in. of water depth
- Plume height up to 24 in.
- Low voltage operation of 12 VAC / 15W
- Cord length available in 30 ft., 50 ft., 100 ft. or 150 ft.
- Low flow requirements allow for multiple units per pool
- Niche provides for flush mounting
- The perfect complement to IntelliBrite® 5g LED Pool Lighting for dynamic and synchronized colored light shows

The ColorVision Bubbler is a combination of the ColorVision Niche and Pentair GloBrite or MicroBrite LED light to create vivid fountain-like water movement. It is the perfect way to showcase and enhance pool features like sun shelves, steps, beach entries and poolscape elements like ponds and fountains. Its low voltage and minimal water flow requirements make them an ideal, energy-efficient addition to pools, fountains, ponds and more. It is fully compatible with the IntelliBrite 5g line of LED pool lights, optional Color Sync Controller and IntelliCenter®, EasyTouch® and IntelliTouch® Automation Systems. Custom program and control light shows using an indoor control panel, wireless remote and the ScreenLogic® Interface using your smartphone, computer or mobile digital device.

NOTE: GloBrite and MicroBrite LED Lights - sold separately

Ordering Information

Product	Description	Carton Qty.	Carton Wt.
COLORVISION LED LIGHT BUBBLER			
580037	ColorVision Gunitite Niche Kit (Niche only - must order GloBrite separately)	1	6
580036	ColorVision Vinyl/Fiberglass Niche Kit (Niche only - must order GloBrite separately)	1	6

Product	Voltage	Wattage	Cord Length (Ft.)	Carton Qty.	Carton Wt. (Lbs.)
GLOBRITE COLOR LED LIGHTS					
602053	12	15W	30	1	5
602054	12	15W	50	1	9
602055	12	15W	100	1	9
602056	12	15W	150	1	9

Product	Voltage	Wattage	Cord Length (Ft.)	Carton Qty.	Carton Wt. (Lbs.)
GLOBRITE WHITE LED LIGHTS					
602102	12	15W	30	1	5
602103	12	15W	50	1	9
602104	12	15W	100	1	9
602105	12	15W	150	1	9

TRANSFORMERS (LANDSCAPE AND POOL RATED)				
619962	12V-14V	100W	1	12
619963	12V-14V	300W	1	13

ACCESSORIES	
618040	Adapter—MicroBrite to GroBrite

Product	Light Output	Voltage	Wattage	Cord Length (Ft.)	Carton Qty.	Carton Wt. (Lbs.)
MICROBRITE LED LIGHT WITH GLOBRITE ADAPTER						
602165	White	12	14W	150	1	5
602166	Color	12	14W	150	1	5
602167	Warm White	12	14W	150	1	5

CALIFORNIA PROPOSITION 65 WARNING

⚠️ WARNING: Cancer and Reproductive Harm.
 ⚠️ AVERTISSEMENT: Peut Causer le Cancer et des Dommages au Système Reproducteur.
 ⚠️ ADVERTENCIA: Cáncer y Daño Reproductivo.

www.p65warnings.ca.gov

All Pentair UL Listed underwater lights are certified for use in fresh water with up to 6,000 ppm salinity.

COLORVISION® BUBBLER WITH GLOBRITE® LED LIGHTS



Dimensions and Certifications

All ColorVision bubblers come with white accessories. Optional color rings are available for the the screw cover color ring and vinyl/fiberglass ring.

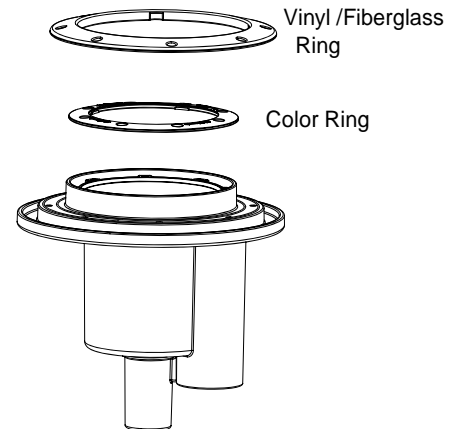
CALIFORNIA PROPOSITION 65 WARNING

⚠ **WARNING:** Cancer and Reproductive Harm.
 ⚠ **AVERTISSEMENT:** Peut Causer le Cancer et des Dommages au Système Reproducteur.
 ⚠ **ADVERTENCIA:** Cáncer y Daño Reproductivo.
www.p65warnings.ca.gov

COLOR RINGS	
590128Z	Color Ring - Blue
590127Z	Color Ring - Grey
590129Z	Color Ring - Tan
590130Z	Color Ring - Black
590132Z	Vinyl/Fiberglass Ring - Blue
590131Z	Vinyl/Fiberglass Ring - Grey
590133Z	Vinyl/Fiberglass Ring - Tan
590134Z	Vinyl/Fiberglass Ring - Black

	WATER DEPTH									
	2"		4"		6"		8"		10"	
	PLUME HEIGHT									
Nozzle Diameter										
GPM	1/2"	3/4"	1/2"	3/4"	1/2"	3/4"	1/2"	3/4"	1/2"	3/4"
15		20"	42"	11"	28"	8"	14"	6"	12"	4"
20		32"		18"		12"	24"	8"	16"	8"
25				26"		18"		12"	23"	10"
30						25"		16"		14"
35								24"		18"
40								30"		22"
45										26"

Note: Plume height may vary.



All Pentair UL Listed underwater lights are certified for use in fresh water with up to 6,000 ppm salinity.

See page 557 for replacement parts.

MAGICFALLS® WATER EFFECTS

TRADEGRADE



Featured Highlights

- Choose from sheet, curtain and rainfall or arc sheet and rainfall effects
- Individual water effects are available in widths from 8 inches to 8 feet
- Available in six finishes brass, bronze, copper, gray, pewter, or white
- Waterfalls can be straight, curved, or customized
- Vary flow to any water effect with an energy-efficient IntelliFlo® or IntelliPro® Variable Speed Pump to alter the height and distance of the water effect.
- Visit our website to use the interactive waterfall part number configurator tool: www.pentairpool.com

Actual finish and color may vary from the images found herein due to slight differences in material make-up and/or the fabrication process. Please use as a guideline only. All MagicFalls are made to order and non-refundable.

11 Series Lip = 1 in. lip, for all straight waterfalls

12 Series Lip = 6 in. Lip, for Radius Curved Waterfalls

14 Series Lip = 13 in. Lip, for super radius curved waterfalls and custom curved shapes

FACTORY CUT RADIUS CURVES:
Waterfalls with factory cut radius curves are possible on waterfalls with 6in or 13in lips with Waterfall Sheet or Waterfall Rain water effects.

Use the chart below to select the waterfall width and proper lip length for your desired radius curve.

When ordering a waterfall with a factory cut radius, follow these steps:

1. Order the waterfall part number.
2. Then include item number 5890001 on the order to indicate that you need a factory cut radius.
3. Then include a note specifying the exact radius dimension.
4. Be sure to specify "Convex" or "Concave" on your note.



An example of a complete order for a waterfall with a factory cut radius would be:

Item: 581407FSB waterfall.

Item: 5890001 radius charge.

Note: 7 ft convex radius cut.

FACTORY CUT CUSTOM CURVES:

Waterfalls with factory cut custom curves are possible on waterfalls that have 13 in. lips and Waterfall Sheet water effect.

When ordering a waterfall with a factory cut custom curve, follow these steps:

1. Order the waterfall part number.
2. Then include item number 5890002 on the order to indicate that you need a custom curve.
3. Then include a template showing the dimensions of the custom curve shape.

An example of a complete order for a waterfall with a factory cut custom curve would be:

Item: 581407FSB waterfall.

Item: 5890002 custom curve charge.

Note: Refer to enclosed template.

Lip Width Selection Guide for Radius Curve Waterfalls

Pool Section Radius	WATERFALL WIDTH									
	8 IN.	1 FT.	18 IN.	2 FT.	3 FT.	4 FT.	5 FT.	6 FT.	7 FT.	8 FT.
1 ft.	12	12 or 14	12 or 14	N/A	N/A	N/A	N/A	N/A	N/A	N/A
1-1/2 ft.	12	12 or 14	12 or 14	12 or 14	N/A	N/A	N/A	N/A	N/A	N/A
2 ft.	12	12 or 14	12 or 14	12 or 14	14	N/A	N/A	N/A	N/A	N/A
2-1/2 ft.	12	12 or 14	12 or 14	12 or 14	14	N/A	N/A	N/A	N/A	N/A
3 ft.	12	12 or 14	12 or 14	12 or 14	12 or 14	14	N/A	N/A	N/A	N/A
3-1/2 ft.	12	12 or 14	12 or 14	12 or 14	12 or 14	14	N/A	N/A	N/A	N/A
4 ft.	12	12 or 14	12 or 14	12 or 14	12 or 14	14	14	N/A	N/A	N/A
4-1/2 ft.	12	12 or 14	12 or 14	12 or 14	12 or 14	14	14	N/A	N/A	N/A
5 ft.	12	12 or 14	12 or 14	12 or 14	12 or 14	14	14	N/A	N/A	N/A
5-1/2 ft.	12	12 or 14	12 or 14	12 or 14	12 or 14	12 or 14	14	14	N/A	N/A
6 ft.	12	12 or 14	12 or 14	12 or 14	12 or 14	12 or 14	14	14	N/A	N/A
6-1/2 ft.	12	12 or 14	12 or 14	12 or 14	12 or 14	12 or 14	14	14	N/A	N/A
7 ft.	12	12 or 14	12 or 14	12 or 14	12 or 14	12 or 14	14	14	14	N/A
7-1/2 ft.	12	12 or 14	12 or 14	12 or 14	12 or 14	12 or 14	14	14	14	N/A
8 ft.	12	12 or 14	12 or 14	12 or 14	12 or 14	12 or 14	14	14	14	N/A
8-1/2 ft.	12	12 or 14	12 or 14	12 or 14	12 or 14	12 or 14	12 or 14	14	14	N/A
9 ft.	12	12 or 14	12 or 14	12 or 14	12 or 14	12 or 14	12 or 14	14	14	N/A
9-1/2 ft.	12	12 or 14	12 or 14	12 or 14	12 or 14	12 or 14	12 or 14	14	14	14
10 ft.	12	12 or 14	12 or 14	12 or 14	12 or 14	12 or 14	12 or 14	14	14	14
10-1/2 ft.	12	12 or 14	12 or 14	12 or 14	12 or 14	12 or 14	12 or 14	14	14	14
11 ft.	12	12 or 14	12 or 14	12 or 14	12 or 14	12 or 14	12 or 14	14	14	14
11-1/2 ft.	12	12 or 14	12 or 14	12 or 14	12 or 14	12 or 14	12 or 14	14	14	14
12 ft.	12	12 or 14	12 or 14	12 or 14	12 or 14	12 or 14	12 or 14	12 or 14	14	14
12-1/2 ft.	12	12 or 14	12 or 14	12 or 14	12 or 14	12 or 14	12 or 14	12 or 14	14	14
13 ft.	12	12 or 14	12 or 14	12 or 14	12 or 14	12 or 14	12 or 14	12 or 14	14	14
13-1/2 ft.	12	12 or 14	12 or 14	12 or 14	12 or 14	12 or 14	12 or 14	12 or 14	14	14
14 ft.	12	12 or 14	12 or 14	12 or 14	12 or 14	12 or 14	12 or 14	12 or 14	14	14
14-1/2 ft.	12	12 or 14	12 or 14	12 or 14	12 or 14	12 or 14	12 or 14	12 or 14	14	14
15 ft.	12	12 or 14	12 or 14	12 or 14	12 or 14	12 or 14	12 or 14	12 or 14	14	14
15-1/2 ft.	12	12 or 14	12 or 14	12 or 14	12 or 14	12 or 14	12 or 14	12 or 14	14	14
16 ft.	12	12 or 14	12 or 14	12 or 14	12 or 14	12 or 14	12 or 14	12 or 14	12 or 14	14
16-1/2 ft.	12	12 or 14	12 or 14	12 or 14	12 or 14	12 or 14	12 or 14	12 or 14	12 or 14	14
17 ft.	12	12 or 14	12 or 14	12 or 14	12 or 14	12 or 14	12 or 14	12 or 14	12 or 14	14
17-1/2 ft.	12	12 or 14	12 or 14	12 or 14	12 or 14	12 or 14	12 or 14	12 or 14	12 or 14	14
18 ft.	12	12 or 14	12 or 14	12 or 14	12 or 14	12 or 14	12 or 14	12 or 14	12 or 14	14
18-1/2 ft.	12	12 or 14	12 or 14	12 or 14	12 or 14	12 or 14	12 or 14	12 or 14	12 or 14	14
19 ft.	12	12 or 14	12 or 14	12 or 14	12 or 14	12 or 14	12 or 14	12 or 14	12 or 14	14
19-1/2 ft.	12	12 or 14	12 or 14	12 or 14	12 or 14	12 or 14	12 or 14	12 or 14	12 or 14	14
20 ft.	12	12 or 14	12 or 14	12 or 14	12 or 14	12 or 14	12 or 14	12 or 14	12 or 14	14
20-1/2 ft.	12	12 or 14	12 or 14	12 or 14	12 or 14	12 or 14	12 or 14	12 or 14	12 or 14	12 or 14

MAGICFALLS® WATER EFFECTS (CONT'D)

Ordering Information

Brass	Bronze	Copper	Grey	Pewter	White	Description	Carton Qty.	Carton Wt.
WATERFALL SHEET, 1 IN. LIP								
581100FSB	581100FSZ	581100FSP	581100FSG	581100FSS	581100FSW	SHEET / 1 in. LIP / 8 in. WIDE	1	2
581100FSBBF	581100FSZBF	581100FSPBF	581100FSGBF	581100FSSBF	581100FSWBF	SHEET / 1 in. LIP / 8 in. WIDE / BOTTOM FEED	1	2
581101FSB	581101FSZ	581101FSP	581101FSG	581101FSS	581101FSW	SHEET / 1 in. LIP / 1 ft. WIDE	1	3
581101FSBBF	581101FSZBF	581101FSPBF	581101FSGBF	581101FSSBF	581101FSWBF	SHEET / 1 in. LIP / 1 ft. WIDE / BOTTOM FEED	1	3
581118FSB	581118FSZ	581118FSP	581118FSG	581118FSS	581118FSW	SHEET / 1 in. LIP / 18 in. WIDE	1	4
581118FSBBF	581118FSZBF	581118FSPBF	581118FSGBF	581118FSSBF	581118FSWBF	SHEET / 1 in. LIP / 18 in. WIDE / BOTTOM FEED	1	4
581102FSB	581102FSZ	581102FSP	581102FSG	581102FSS	581102FSW	SHEET / 1 in. LIP / 2 ft. WIDE	1	5
581102FSBBF	581102FSZBF	581102FSPBF	581102FSGBF	581102FSSBF	581102FSWBF	SHEET / 1 in. LIP / 2 ft. WIDE / BOTTOM FEED	1	5
581103FSB	581103FSZ	581103FSP	581103FSG	581103FSS	581103FSW	SHEET / 1 in. LIP / 3 ft. WIDE	1	7
581103FSBBF	581103FSZBF	581103FSPBF	581103FSGBF	581103FSSBF	581103FSWBF	SHEET / 1 in. LIP / 3 ft. WIDE / BOTTOM FEED	1	7
581104FSB	581104FSZ	581104FSP	581104FSG	581104FSS	581104FSW	SHEET / 1 in. LIP / 4 ft. WIDE	1	9
581104FSBBF	581104FSZBF	581104FSPBF	581104FSGBF	581104FSSBF	581104FSWBF	SHEET / 1 in. LIP / 4 ft. WIDE / BOTTOM FEED	1	9
581105FSB	581105FSZ	581105FSP	581105FSG	581105FSS	581105FSW	SHEET / 1 in. LIP / 5 ft. WIDE	1	11
581106FSB	581106FSZ	581106FSP	581106FSG	581106FSS	581106FSW	SHEET / 1 in. LIP / 6 ft. WIDE	1	15
581107FSB	581107FSZ	581107FSP	581107FSG	581107FSS	581107FSW	SHEET / 1 in. LIP / 7 ft. WIDE	1	18
581108FSB	581108FSZ	581108FSP	581108FSG	581108FSS	581108FSW	SHEET / 1 in. LIP / 8 ft. WIDE	1	21
WATERFALL SHEET, 6 IN. LIP								
581200FSB	581200FSZ	581200FSP	581200FSG	581200FSS	581200FSW	SHEET / 6 in. LIP / 8 in. WIDE	1	3
581200FSBBF	581200FSZBF	581200FSPBF	581200FSGBF	581200FSSBF	581200FSWBF	SHEET / 6 in. LIP / 8 in. WIDE / BOTTOM FEED	1	3
581201FSB	581201FSZ	581201FSP	581201FSG	581201FSS	581201FSW	SHEET / 6 in. LIP / 1 ft. WIDE	1	5
581201FSBBF	581201FSZBF	581201FSPBF	581201FSGBF	581201FSSBF	581201FSWBF	SHEET / 6 in. LIP / 1 ft. WIDE / BOTTOM FEED	1	5
581218FSB	581218FSZ	581218FSP	581218FSG	581218FSS	581218FSW	SHEET / 6 in. LIP / 18 in. WIDE	1	6
581218FSBBF	581218FSZBF	581218FSPBF	581218FSGBF	581218FSSBF	581218FSWBF	SHEET / 6 in. LIP / 18 in. WIDE / BOTTOM FEED	1	6
581202FSB	581202FSZ	581202FSP	581202FSG	581202FSS	581202FSW	SHEET / 6 in. LIP / 2 ft. WIDE	1	8
581202FSBBF	581202FSZBF	581202FSPBF	581202FSGBF	581202FSSBF	581202FSWBF	SHEET / 6 in. LIP / 2 ft. WIDE / BOTTOM FEED	1	8
581203FSB	581203FSZ	581203FSP	581203FSG	581203FSS	581203FSW	SHEET / 6 in. LIP / 3 ft. WIDE	1	12
581203FSBBF	581203FSZBF	581203FSPBF	581203FSGBF	581203FSSBF	581203FSWBF	SHEET / 6 in. LIP / 3 ft. WIDE / BOTTOM FEED	1	12
581204FSB	581204FSZ	581204FSP	581204FSG	581204FSS	581204FSW	SHEET / 6 in. LIP / 4 ft. WIDE	1	16
581204FSBBF	581204FSZBF	581204FSPBF	581204FSGBF	581204FSSBF	581204FSWBF	SHEET / 6 in. LIP / 4 ft. WIDE / BOTTOM FEED	1	16
581205FSB	581205FSZ	581205FSP	581205FSG	581205FSS	581205FSW	SHEET / 6 in. LIP / 5 ft. WIDE	1	20
581206FSB	581206FSZ	581206FSP	581206FSG	581206FSS	581206FSW	SHEET / 6 in. LIP / 6 ft. WIDE	1	27
581207FSB	581207FSZ	581207FSP	581207FSG	581207FSS	581207FSW	SHEET / 6 in. LIP / 7 ft. WIDE	1	31
581208FSB	581208FSZ	581208FSP	581208FSG	581208FSS	581208FSW	SHEET / 6 in. LIP / 8 ft. WIDE	1	36
WATERFALL SHEET, 13 IN. LIP								
581401FSB	581401WFZG	581401FSP	581401FSG	581401FSS	581401FSW	SHEET / 13 in. LIP / 1 ft. WIDE	1	8
581401FSBBF	581401FSZBF	581401FSPBF	581401FSGBF	581401FSSBF	581401FSWBF	SHEET / 13 in. LIP / 1 ft. WIDE / BOTTOM FEED	1	8
581418FSB	581418FSZ	581418FSP	581418FSG	581418FSS	581418FSW	SHEET / 13 in. LIP / 18 in. WIDE	1	12
581418FSBBF	581418FSZBF	581418FSPBF	581418FSGBF	581418FSSBF	581418FSWBF	SHEET / 13 in. LIP / 18 in. WIDE / BOTTOM FEED	1	12
581402FSB	581402FSZ	581402FSP	581402FSG	581402FSS	581402FSW	SHEET / 13 in. LIP / 2 ft. WIDE	1	16
581402FSBBF	581402FSZBF	581402FSPBF	581402FSGBF	581402FSSBF	581402FSWBF	SHEET / 13 in. LIP / 2 ft. WIDE / BOTTOM FEED	1	16
581403FSB	581403FSZ	581403FSP	581403FSG	581403FSS	581403FSW	SHEET / 13 in. LIP / 3 ft. WIDE	1	22
581403FSBBF	581403FSZBF	581403FSPBF	581403FSGBF	581403FSSBF	581403FSWBF	SHEET / 13 in. LIP / 3 ft. WIDE / BOTTOM FEED	1	22
581404FSB	581404FSZ	581404FSP	581404FSG	581404FSS	581404FSW	SHEET / 13 in. LIP / 4 ft. WIDE	1	29
581404FSBBF	581404FSZBF	581404FSPBF	581404FSGBF	581404FSSBF	581404FSWBF	SHEET / 13 in. LIP / 4 ft. WIDE / BOTTOM FEED	1	29
581405FSB	581405FSZ	581405FSP	581405FSG	581405FSS	581405FSW	SHEET / 13 in. LIP / 5 ft. WIDE	1	34
581406FSB	581406FSZ	581406FSP	581406FSG	581406FSS	581406FSW	SHEET / 13 in. LIP / 6 ft. WIDE	1	42
581407FSB	581407FSZ	581407FSP	581407FSG	581407FSS	581407FSW	SHEET / 13 in. LIP / 7 ft. WIDE	1	48
581408FSB	581408FSZ	581408FSP	581408FSG	581408FSS	581408FSW	SHEET / 13 in. LIP / 8 ft. WIDE	1	56

MAGICFALLS® WATER EFFECTS (CONT'D)

Ordering Information

Brass	Bronze	Copper	Grey	Pewter	White	Description	Carton Qty.	Carton Wt.
WATERFALL CURTAIN, 6 IN. LIP								
581200FCB	581200FCZ	581200FCP	581200FCG	581200FCS	581200FCW	CURTAIN / 6 in. LIP / 8 in. WIDE	1	3
581200FCBBF	581200FCZBF	581200FCPBF	581200FCGBF	581200FCSBF	581200FCWBF	CURTAIN / 6 in. LIP / 8 in. WIDE / BOTTOM FEED	1	3
581201FCB	581201FCZ	581201FCP	581201FCG	581201FCS	581201FCW	CURTAIN / 6 in. LIP / 1 ft. WIDE	1	5
581201FCBBF	581201FCZBF	581201FCPBF	581201FCGBF	581201FCSBF	581201FCWBF	CURTAIN / 6 in. LIP / 1 ft. WIDE / BOTTOM FEED	1	5
581218FCB	581218FCZ	581218FCP	581218FCG	581218FCS	581218FCW	CURTAIN / 6 in. LIP / 18 in. WIDE	1	6
581218FCBBF	581218FCZBF	581218FCPBF	581218FCGBF	581218FCSBF	581218FCWBF	CURTAIN / 6 in. LIP / 18 in. WIDE / BOTTOM FEED	1	6
581202FCB	581202FCZ	581202FCP	581202FCG	581202FCS	581202FCW	CURTAIN / 6 in. LIP / 2 ft. WIDE	1	8
581202FCBBF	581202FCZBF	581202FCPBF	581202FCGBF	581202FCSBF	581202FCWBF	CURTAIN / 6 in. LIP / 2 ft. WIDE / BOTTOM FEED	1	8
581203FCB	581203FCZ	581203FCP	581203FCG	581203FCS	581203FCW	CURTAIN / 6 in. LIP / 3 ft. WIDE	1	12
581203FCBBF	581203FCZBF	581203FCPBF	581203FCGBF	581203FCSBF	581203FCWBF	CURTAIN / 6 in. LIP / 3 ft. WIDE / BOTTOM FEED	1	12
581204FCB	581204FCZ	581204FCP	581204FCG	581204FCS	581204FCW	CURTAIN / 6 in. LIP / 4 ft. WIDE	1	16
581204FCBBF	581204FCZBF	581204FCPBF	581204FCGBF	581204FCSBF	581204FCWBF	CURTAIN / 6 in. LIP / 4 ft. WIDE / BOTTOM FEED	1	16
581205FCB	581205FCZ	581205FCP	581205FCG	581205FCS	581205FCW	CURTAIN / 6 in. LIP / 5 ft. WIDE	1	20
581206FCB	581206FCZ	581206FCP	581206FCG	581206FCS	581206FCW	CURTAIN / 6 in. LIP / 6 ft. WIDE	1	27
581207FCB	581207FCZ	581207FCP	581207FCG	581207FCS	581207FCW	CURTAIN / 6 in. LIP / 7 ft. WIDE	1	31
581208FCB	581208FCZ	581208FCP	581208FCG	581208FCS	581208FCW	CURTAIN / 6 in. LIP / 8 ft. WIDE	1	36
WATERFALL CURTAIN, 13 IN. LIP								
581401FCB	581401FCZ	581401FCP	581401FCG	581401FCS	581401FCW	CURTAIN / 13 in. LIP / 1 ft. WIDE	1	8
581401FCBBF	581401FCZBF	581401FCPBF	581401FCGBF	581401FCSBF	581401FCWBF	CURTAIN / 13 in. LIP / 1 ft. WIDE / BOTTOM FEED	1	8
581418FCB	581418FCZ	581418FCP	581418FCG	581418FCS	581418FCW	CURTAIN / 13 in. LIP / 18 in. WIDE	1	12
581418FCBBF	581418FCZBF	581418FCPBF	581418FCGBF	581418FCSBF	581418FCWBF	CURTAIN / 13 in. LIP / 18 in. WIDE / BOTTOM FEED	1	12
581402FCB	581402FCZ	581402FCP	581402FCG	581402FCS	581402FCW	CURTAIN / 13 in. LIP / 2 ft. WIDE	1	16
581402FCBBF	581402FCZBF	581402FCPBF	581402FCGBF	581402FCSBF	581402FCWBF	CURTAIN / 13 in. LIP / 2 ft. WIDE / BOTTOM FEED	1	16
581403FCB	581403FCZ	581403FCP	581403FCG	581403FCS	581403FCW	CURTAIN / 13 in. LIP / 3 ft. WIDE	1	22
581403FCBBF	581403FCZBF	581403FCPBF	581403FCGBF	581403FCSBF	581403FCWBF	CURTAIN / 13 in. LIP / 3 ft. WIDE / BOTTOM FEED	1	22
581404FCB	581404FCZ	581404FCP	581404FCG	581404FCS	581404FCW	CURTAIN / 13 in. LIP / 4 ft. WIDE	1	29
581404FCBBF	581404FCZBF	581404FCPBF	581404FCGBF	581404FCSBF	581404FCWBF	CURTAIN / 13 in. LIP / 4 ft. WIDE / BOTTOM FEED	1	29
581405FCB	581405FCZ	581405FCP	581405FCG	581405FCS	581405FCW	CURTAIN / 13 in. LIP / 5 ft. WIDE	1	34
581406FCB	581406FCZ	581406FCP	581406FCG	581406FCS	581406FCW	CURTAIN / 13 in. LIP / 6 ft. WIDE	1	42
581407FCB	581407FCZ	581407FCP	581407FCG	581407FCS	581407FCW	CURTAIN / 13 in. LIP / 7 ft. WIDE	1	48
581408FCB	581408FCZ	581408FCP	581408FCG	581408FCS	581408FCW	CURTAIN / 13 in. LIP / 8 ft. WIDE	1	56

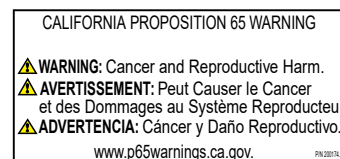
NOTES TO INSTALLERS:

1. Waterfalls Widths 5 ft.–8 ft. have two (2) Rear 1-1/2 in. Slip Male connections AND a precut manifold to balance the flow.
2. Not all Water Effects are available in all lengths. Check Price List to confirm availability.
3. Radius and Custom Curves require the use of additional option part numbers. Must specify radius and convex pool or concave pool, OR provide template (custom curve shape).

FACTORY CUT CURVES

Factory Radius Cut: 12 & 14 Series (P/N 5890001)

Custom Curve Shape: 14 Series (P/N 5890002)



MAGICFALLS® WATER EFFECTS (CONT'D)

Brass	Bronze	Copper	Grey	Pewter	White	Description	Carton Qty.	Carton Wt.
WATERFALL RAIN, 6 IN. LIP								
581200FRB	581200FRZ	581200FRP	581200FRG	581200FRS	581200FRW	RAIN / 6 in. LIP / 8 in. WIDE	1	3
581200FRBBF	581200FRZBF	581200FRPBF	581200FRGBF	581200FRSBF	581200FRWBF	RAIN / 6 in. LIP / 8 in. WIDE / BOTTOM FEED	1	3
581201FRB	581201FRZ	581201FRP	581201FRG	581201FRS	581201FRW	RAIN / 6 in. LIP / 1 ft. WIDE	1	5
581201FRBBF	581201FRZBF	581201FRPBF	581201FRGBF	581201FRSBF	581201FRWBF	RAIN / 6 in. LIP / 1 ft. WIDE / BOTTOM FEED	1	5
581218FRB	581218FRZ	581218FRP	581218FRG	581218FRS	581218FRW	RAIN / 6 in. LIP / 18 in. WIDE	1	6
581218FRBBF	581218FRZBF	581218FRPBF	581218FRGBF	581218FRSBF	581218FRWBF	RAIN / 6 in. LIP / 18 in. WIDE / BOTTOM FEED	1	6
581202FRB	581202FRZ	581202FRP	581202FRG	581202FRS	581202FRW	RAIN / 6 in. LIP / 2 ft. WIDE	1	8
581202FRBBF	581202FRZBF	581202FRPBF	581202FRGBF	581202FRSBF	581202FRWBF	RAIN / 6 in. LIP / 2 ft. WIDE / BOTTOM FEED	1	8
581203FRB	581203FRZ	581203FRP	581203FRG	581203FRS	581203FRW	RAIN / 6 in. LIP / 3 ft. WIDE	1	12
581203FRBBF	581203FRZBF	581203FRPBF	581203FRGBF	581203FRSBF	581203FRWBF	RAIN / 6 in. LIP / 3 ft. WIDE / BOTTOM FEED	1	12
581204FRB	581204FRZ	581204FRP	581204FRG	581204FRS	581204FRW	RAIN / 6 in. LIP / 4 ft. WIDE	1	16
581204FRBBF	581204FRZBF	581204FRPBF	581204FRGBF	581204FRSBF	581204FRWBF	RAIN / 6 in. LIP / 4 ft. WIDE / BOTTOM FEED	1	16
581205FRB	581205FRZ	581205FRP	581205FRG	581205FRS	581205FRW	RAIN / 6 in. LIP / 5 ft. WIDE	1	20
581206FRB	581206FRZ	581206FRP	581206FRG	581206FRS	581206FRW	RAIN / 6 in. LIP / 6 ft. WIDE	1	27
581207FRB	581207FRZ	581207FRP	581207FRG	581207FRS	581207FRW	RAIN / 6 in. LIP / 7 ft. WIDE	1	31
581208FRB	581208FRZ	581208FRP	581208FRG	581208FRS	581208FRW	RAIN / 6 in. LIP / 8 ft. WIDE	1	36
WATERFALL RAIN, 13 in. LIP								
581401FRB	581401FRZ	581401FRP	581401FRG	581401FRS	581401FRW	RAIN / 13 in. LIP / 1 ft. WIDE	1	8
581401FRBBF	581401FRZBF	581401FRPBF	581401FRGBF	581401FRSBF	581401FRWBF	RAIN / 13 in. LIP / 1 ft. WIDE / BOTTOM FEED	1	8
581418FRB	581418FRZ	581418FRP	581418FRG	581418FRS	581418FRW	RAIN / 13 in. LIP / 18 in. WIDE	1	12
581418FRBBF	581418FRZBF	581418FRPBF	581418FRGBF	581418FRSBF	581418FRWBF	RAIN / 13 in. LIP / 18 in. WIDE / BOTTOM FEED	1	12
581402FRB	581402FRZ	581402FRP	581402FRG	581402FRS	581402FRW	RAIN / 13 in. LIP / 2 ft. WIDE	1	16
581402FRBBF	581402FRZBF	581402FRPBF	581402FRGBF	581402FRSBF	581402FRWBF	RAIN / 13 in. LIP / 2 ft. WIDE / BOTTOM FEED	1	16
581403FRB	581403FRZ	581403FRP	581403FRG	581403FRS	581403FRW	RAIN / 13 in. LIP / 3 ft. WIDE	1	22
581403FRBBF	581403FRZBF	581403FRPBF	581403FRGBF	581403FRSBF	581403FRWBF	RAIN / 13 in. LIP / 3 ft. WIDE / BOTTOM FEED	1	22
581404FRB	581404FRZ	581404FRP	581404FRG	581404FRS	581404FRW	RAIN / 13 in. LIP / 4 ft. WIDE	1	29
581404FRBBF	581404FRZBF	581404FRPBF	581404FRGBF	581404FRSBF	581404FRWBF	RAIN / 13 in. LIP / 4 ft. WIDE / BOTTOM FEED	1	29
581405FRB	581405FRZ	581405FRP	581405FRG	581405FRS	581405FRW	RAIN / 13 in. LIP / 5 ft. WIDE	1	34
581406FRB	581406FRZ	581406FRP	581406FRG	581406FRS	581406FRW	RAIN / 13 in. LIP / 6 ft. WIDE	1	42
581407FRB	581407FRZ	581407FRP	581407FRG	581407FRS	581407FRW	RAIN / 13 in. LIP / 7 ft. WIDE	1	48
581408FRB	581408FRZ	581408FRP	581408FRG	581408FRS	581408FRW	RAIN / 13 in. LIP / 8 ft. WIDE	1	56
ARC SHEET, 6 IN. LIP								
581200ASB	581200ASZ	581200ASP	581200ASG	581200ASS	581200ASW	ARC SHEET / 6 in. LIP / 8 in. WIDE	1	3
581200ASBBF	581200ASZBF	581200ASPBF	581200ASGBF	581200ASSBF	581200ASWBF	ARC SHEET / 6 in. LIP / 8 in. WIDE / BOTTOM FEED	1	3
581201ASB	581201ASZ	581201ASP	581201ASG	581201ASS	581201ASW	ARC SHEET / 6 in. LIP / 1 ft. WIDE	1	5
581201ASBBF	581201ASZBF	581201ASPBF	581201ASGBF	581201ASSBF	581201ASWBF	ARC SHEET / 6 in. LIP / 1 ft. WIDE / BOTTOM FEED	1	5
581218ASB	581218ASZ	581218ASP	581218ASG	581218ASS	581218ASW	ARC SHEET / 6 in. LIP / 18 in. WIDE	1	6
581218ASBBF	581218ASZBF	581218ASPBF	581218ASGBF	581218ASSBF	581218ASWBF	ARC SHEET / 6 in. LIP / 18 in. WIDE / BOTTOM FEED	1	6
581202ASB	581202ASZ	581202ASP	581202ASG	581202ASS	581202ASW	ARC SHEET / 6 in. LIP / 2 ft. WIDE	1	8
581202ASBBF	581202ASZBF	581202ASPBF	581202ASGBF	581202ASSBF	581202ASWBF	ARC SHEET / 6 in. LIP / 2 ft. WIDE / BOTTOM FEED	1	8
ARC SHEET, 13 IN. LIP								
581401ASB	581401ASZ	581401ASP	581401ASG	581401ASS	581401ASW	ARC SHEET / 13 in. LIP / 1 ft. WIDE	1	8
581401ASBBF	581401ASZBF	581401ASPBF	581401ASGBF	581401ASSBF	581401ASWBF	ARC SHEET / 13 in. LIP / 1 ft. WIDE / BOTTOM FEED	1	8
581418ASB	581418ASZ	581418ASP	581418ASG	581418ASS	581418ASW	ARC SHEET / 13 in. LIP / 18 in. WIDE	1	12
581418ASBBF	581418ASZBF	581418ASPBF	581418ASGBF	581418ASSBF	581418ASWBF	ARC SHEET / 13 in. LIP / 18 in. WIDE / BOTTOM FEED	1	12
581402ASB	581402ASZ	581402ASP	581402ASG	581402ASS	581402ASW	ARC SHEET / 13 in. LIP / 2 ft. WIDE	1	16
581402ASBBF	581402ASZBF	581402ASPBF	581402ASGBF	581402ASSBF	581402ASWBF	ARC SHEET / 13 in. LIP / 2 ft. WIDE / BOTTOM FEED	1	16

MAGICFALLS® WATER EFFECTS (CONT'D)

Ordering Information

Brass	Bronze	Copper	Grey	Pewter	White	Description	Carton Qty.	Carton Wt.
ARC RAIN, 6 IN. LIP								
581200ARB	581200ARZ	581200ARP	581200ARG	581200ARS	581200ARW	ARC RAIN / 6 in. LIP / 8 in. WIDE	1	3
581200ARBBF	581200ARZBF	581200ARPBF	581200ARGBF	581200ARSBF	581200ARWBF	ARC RAIN / 6 in. LIP / 8 in. WIDE / BOTTOM FEED	1	3
581201ARB	581201ARZ	581201ARP	581201ARG	581201ARS	581201ARW	ARC RAIN / 6 in. LIP / 1 ft. WIDE	1	5
581201ARBBF	581201ARZBF	581201ARPBF	581201ARGBF	581201ARSBF	581201ARWBF	ARC RAIN / 6 in. LIP / 1 ft. WIDE / BOTTOM FEED	1	5
581218ARB	581218ARZ	581218ARP	581218ARG	581218ARS	581218ARW	ARC RAIN / 6 in. LIP / 18 in. WIDE	1	6
581218ARBBF	581218ARZBF	581218ARPBF	581218ARGBF	581218ARSBF	581218ARWBF	ARC RAIN / 6 in. LIP / 18 in. WIDE / BOTTOM FEED	1	6
581202ARB	581202ARZ	581202ARP	581202ARG	581202ARS	581202ARW	ARC RAIN / 6 in. LIP / 2 ft. WIDE	1	8
581202ARBBF	581202ARZBF	581202ARPBF	581202ARGBF	581202ARSBF	581202ARWBF	ARC RAIN / 6 in. LIP / 2 ft. WIDE / BOTTOM FEED	1	8
581203ARB	581203ARZ	581203ARP	581203ARG	581203ARS	581203ARW	ARC RAIN / 6 in. LIP / 3 ft. WIDE	1	12
581203ARBBF	581203ARZBF	581203ARPBF	581203ARGBF	581203ARSBF	581203ARWBF	ARC RAIN / 6 in. LIP / 3 ft. WIDE / BOTTOM FEED	1	12
581204ARB	581204ARZ	581204ARP	581204ARG	581204ARS	581204ARW	ARC RAIN / 6 in. LIP / 4 ft. WIDE	1	16
581204ARBBF	581204ARZBF	581204ARPBF	581204ARGBF	581204ARSBF	581204ARWBF	ARC RAIN / 6 in. LIP / 4 ft. WIDE / BOTTOM FEED	1	16
581205ARB	581205ARZ	581205ARP	581205ARG	581205ARS	581205ARW	ARC RAIN / 6 in. LIP / 5 ft. WIDE	1	20
581206ARB	581206ARZ	581206ARP	581206ARG	581206ARS	581206ARW	ARC RAIN / 6 in. LIP / 6 ft. WIDE	1	27
581207ARB	581207ARZ	581207ARP	581207ARG	581207ARS	581207ARW	ARC RAIN / 6 in. LIP / 7 ft. WIDE	1	31
581208ARB	581208ARZ	581208ARP	581208ARG	581208ARS	581208ARW	ARC RAIN / 6 in. LIP / 8 ft. WIDE	1	36
ARC RAIN, 13 IN. LIP								
581401ARB	581401ARZ	581401ARP	581401ARG	581401ARS	581401ARW	ARC RAIN / 13 in. LIP / 1 ft. WIDE	1	8
581401ARBBF	581401ARZBF	581401ARPBF	581401ARGBF	581401ARSBF	581401ARWBF	ARC RAIN / 13 in. LIP / 1 ft. WIDE / BOTTOM FEED	1	8
581418ARB	581418ARZ	581418ARP	581418ARG	581418ARS	581418ARW	ARC RAIN / 13 in. LIP / 18 in. WIDE	1	12
581418ARBBF	581418ARZBF	581418ARPBF	581418ARGBF	581418ARSBF	581418ARWBF	ARC RAIN / 13 in. LIP / 18 in. WIDE / BOTTOM FEED	1	12
581402ARB	581402ARZ	581402ARP	581402ARG	581402ARS	581402ARW	ARC RAIN / 13 in. LIP / 2 ft. WIDE	1	16
581402ARBBF	581402ARZBF	581402ARPBF	581402ARGBF	581402ARSBF	581402ARWBF	ARC RAIN / 13 in. LIP / 2 ft. WIDE / BOTTOM FEED	1	16
581403ARB	581403ARZ	581403ARP	581403ARG	581403ARS	581403ARW	ARC RAIN / 13 in. LIP / 3 ft. WIDE	1	22
581403ARBBF	581403ARZBF	581403ARPBF	581403ARGBF	581403ARSBF	581403ARWBF	ARC RAIN / 13 in. LIP / 3 ft. WIDE / BOTTOM FEED	1	22
581404ARB	581404ARZ	581404ARP	581404ARG	581404ARS	581404ARW	ARC RAIN / 13 in. LIP / 4 ft. WIDE	1	29
581404ARBBF	581404ARZBF	581404ARPBF	581404ARGBF	581404ARSBF	581404ARWBF	ARC RAIN / 13 in. LIP / 4 ft. WIDE / BOTTOM FEED	1	29
581405ARB	581405ARZ	581405ARP	581405ARG	581405ARS	581405ARW	ARC RAIN / 13 in. LIP / 5 ft. WIDE	1	34
581406ARB	581406ARZ	581406ARP	581406ARG	581406ARS	581406ARW	ARC RAIN / 13 in. LIP / 6 ft. WIDE	1	42
581407ARB	581407ARZ	581407ARP	581407ARG	581407ARS	581407ARW	ARC RAIN / 13 in. LIP / 7 ft. WIDE	1	48
581408ARB	581408ARZ	581408ARP	581408ARG	581408ARS	581408ARW	ARC RAIN / 13 in. LIP / 8 ft. WIDE	1	56

NOTES TO INSTALLERS:

1. Waterfalls Widths 5 ft.–8 ft. have two (2) Rear 1-1/2 in. Slip Male connections AND a precut manifold to balance the flow.
2. Not all Water Effects are available in all lengths. Check Price List to confirm availability.
3. Radius and Custom Curves require the use of additional option part numbers. Must specify radius and convex pool or concave pool, OR provide template (custom curve shape).

FACTORY CUT CURVES

Factory Radius Cut: 12 & 14 Series (P/N 5890001)

Custom Curve Shape: 14 Series (P/N 5890002)

CALIFORNIA PROPOSITION 65 WARNING

WARNING: Cancer and Reproductive Harm.
AVERTISSEMENT: Peut Causer le Cancer et des Dommages au Système Reproducteur.
ADVERTENCIA: Cáncer y Daño Reproductivo.

www.p65warnings.ca.gov
PK2017A

WALLSPRING® DECORATIVE ACCENTS

FIGURE HEADS, LIONS, SHELLS, HAND HOLDS, SCONCES & ROSETTES

Featured Highlights

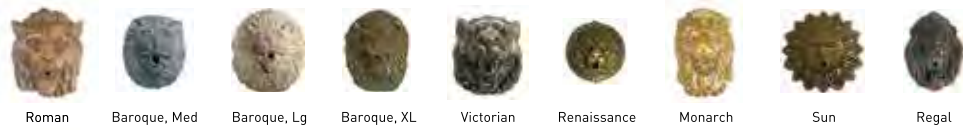
- Fixtures are easy to install with common construction adhesives
- Blended, light weight polymer construction will not rack, fade or discolor
- All fixtures attach to 3/4 in. pipe making them easy to mix and match
- Real Metallic finishes weather gracefully over time into a beautiful, rich patina

Actual finish and colors below may vary from the images found herein due to slight differences in material make-up and/or the fabrication process. Please use as a guideline only. All WallSpring Decorative Accents are made to order and non-refundable.

TRADEGRADE



Lion Heads



Sconces



Rosettes



Shells



Hand Holds



Fish



Figure Heads



With WallSpring Decorative Accents you incorporate the intrigue of falling water with elegant architectural details for the perfect finishing touch to your pool. Whether you are aiming for the look and feel of a charming Old World retreat, a romantic Mediterranean grotto, or a natural tropical paradise, there is a WallSpring Decorative Accents design to meet your goal.

CALIFORNIA PROPOSITION 65 WARNING

⚠️ **WARNING:** Cancer and Reproductive Harm.
 ⚠️ **AVERTISSEMENT:** Peut Causer le Cancer et des Dommages au Système Reproducteur.
 ⚠️ **ADVERTENCIA:** Cáncer y Daño Reproductivo.
www.p65warnings.ca.gov

Ordering Information

Part Number by Color							Description
Grey (1)	Natural (2)	White (3)	Brass (4)	Copper (5)	Pewter (6)	Bronze (7)	
LIONS							
5820501	5820502	5820503	5820504	5820505	5820506	5820507	Lion Baroque, Medium
5820601	5820602	5820603	5820604	5820605	5820606	5820607	Lion Baroque, Large
5820701	5820702	5820703	5820704	5820705	5820706	5820707	Lion Baroque, Extra Large
5820801	5820802	5820803	5820804	5820805	5820806	5820807	Lion Roman
5820901	5820902	5820903	5820904	5820905	5820906	5820907	Lion Victorian
5821001	5821002	5821003	5821004	5821005	5821006	5821007	Lion Renaissance

WALLSPRING® DECORATIVE ACCENTS (CONT'D)

Ordering Information

Part Number by Color							
Grey (1)	Natural (2)	White (3)	Brass (4)	Copper (5)	Pewter (6)	Bronze (7)	Description
LIONS CONT'D.							
5821101	5821102	5821103	5821104	5821105	5821106	5821107	Lion Monarch
5821201	5821202	5821203	5821204	5821205	5821206	5821207	Lion Sun
5821301	5821302	5821303	5821304	5821305	5821306	5821307	Lion Regal
SCONCES							
5822901	5822902	5822903	5822904	5822905	5822906	5822907	Sconce Fluer De Coeur
5823001	5823002	5823003	5823004	5823005	5823006	5823007	Sconce Fleur De Lis
5823101	5823102	5823103	5823104	5823105	5823106	5823107	Sconce Versailles
5823201	5823202	5823203	5823204	5823205	5823206	5823207	Sconce Bastion
5823301	5823302	5823303	5823304	5823305	5823306	5823307	Sconce Gothic
5823401	5823402	5823403	5823404	5823405	5823406	5823407	Sconce Rip Van Winkle
5823501	5823502	5823503	5823504	5823505	5823506	5823507	Sconce Sheet Lion
5823601	5823602	5823603	5823604	5823605	5823606	5823607	Sconce Tuscany
5823701	5823702	5823703	5823704	5823705	5823706	5823707	Sconce Corinthian
5823801	5823802	5823803	5823804	5823805	5823806	5823807	Sconce Polynesia
5823901	5823902	5823903	5823904	5823905	5823906	5823907	Sconce Sonrisa
ROSETTES							
5820301	5820302	5820303	5820304	5820305	5820306	5820307	Rosette Biscayne
5820401	5820402	5820403	5820404	5820405	5820406	5820407	Rosette Aegean
5821501	5821502	5821503	5821504	5821505	5821506	5821507	Rosette Circle Leaves
5821601	5821602	5821603	5821604	5821605	5821606	5821607	Rosette Fluted
5821701	5821702	5821703	5821704	5821705	5821706	5821707	Rosette 4pt Leaves
5821801	5821802	5821803	5821804	5821805	5821806	5821807	Rosette Scalloped
5821901	5821902	5821903	5821904	5821905	5821906	5821907	Rosette Sunflower Sml
5822001	5822002	5822003	5822004	5822005	5822006	5822007	Rosette Sunflower Lrg
5822101	5822102	5822103	5822104	5822105	5822106	5822107	Rosette Star Sml
5822201	5822202	5822203	5822204	5822205	5822206	5822207	Rosette Star Med
5822301	5822302	5822303	5822304	5822305	5822306	5822307	Rosette Oak Leaf
5822401	5822402	5822403	5822404	5822405	5822406	5822407	Rosette Art Deco
5822501	5822502	5822503	5822504	5822505	5822506	5822507	Rosette Chanterelle
5822601	5822602	5822603	5822604	5822605	5822606	5822607	Rosette Round
5822701	5822702	5822703	5822704	5822705	5822706	5822707	Rosette Sq Fern
5822801	5822802	5822803	5822804	5822805	5822806	5822807	Rosette Sq Dahlia
5824701	5824702	5824703	5824704	5824705	5824706	5824707	Rosette Basque
SHELLS							
5824001	5824002	5824003	5824004	5824005	5824006	5824007	Shell Conch
5824101	5824102	5824103	5824104	5824105	5824106	5824107	Shell Nautilus
5824201	5824202	5824203	5824204	5824205	5824206	5824207	Shell Fossil Nautilus
HAND HOLDS							
5824301	5824302	5824303	5824304	5824305	5824306	5824307	Handhold Shell
5824401	5824402	5824403	5824404	5824405	5824406	5824407	Handhold St. Lucie
5824501	5824502	5824503	5824504	5824505	5824506	5824507	Handhold St. Augustine
5824601	5824602	5824603	5824604	5824605	5824606	5824607	Handhold Lion
FIGUREHEADS							
5820001	5820002	5820003	5820004	5820005	5820006	5820007	Figurehead Neptune
5820101	5820102	5820103	5820104	5820105	5820106	5820107	Figurehead Expression
5824801	5824802	5824803	5824804	5824805	5824806	5824807	Figurehead Carp

WALLSPRING® DECORATIVE ACCENTS (CONT'D)

Dimensions and Specifications

Series #	Description	Pipe Length	Pipe Location From Center	Dimensions (W x L x D)	Shipping Dimensions	Weight (lbs.)
DIMENSIONS AND SPECIFICATIONS						
582050	Lion, Baroque Med	2 in.	Down 1-1/4 in.	7-1/2 in. x 9 in. x 4-1/8 in.	L12 in. x W12 in. x H5 in.	5.00
582060	Lion, Baroque Lg	2 in.	Down 1 in.	10-1/2 in. x 12 in. x 4-1/8 in.	L12 in. x W12 in. x H5 in.	7.00
582070	Lion, Baroque Xlg	2-3/4 in.	Down 3-1/4 in.	13-1/2 in. x 17-1/2 in. x 5-1/8 in.	L18 in. x W18 in. x H8 in.	15.00
582080	Lion, Roman	1-1/2 in.	Down 1-3/4 in.	9 in. x 11 in. x 4-1/4 in.	L12 in. x W12 in. x H5 in.	5.00
582090	Lion, Victorian	1-3/4 in.	Down 1 in.	6-1/2 in. x 6-1/2 in. x 4-1/2 in.	L12 in. x W12 in. x H5 in.	3.00
582100	Lion-Renaissance	1-1/4 in.	Down 1-1/2 in.	8 in. x 8 in. x 2-1/2 in.	L8 in. x W8 in. x H4 in.	3.00
582110	Lion-Monarch	1-1/2 in.	Center	8-1/2 in. x 11-3/4 in. x 5-1/4 in.	L12 in. x W12 in. x H5 in.	7.00
582120	Lion-Sun	1-1/2 in.	Down 1-1/2 in.	10 in. x 10 in. x 2 in.	L12 in. x W12 in. x H5 in.	5.00
582130	Lion-Regal	1-1/2 in.	Down 2 in.	8-3/4 in. x 12 in. x 4-1/4 in.	L12 in. x W12 in. x H5 in.	7.00
582300	Sconce-Fleur de Lis	3/4 in.	Down 2 in.	22 in. x 12 in. x 8 in.	L26 in. x W14 in. x H8 in.	11.00
582310	Sconce-Versailles	3/4 in.	Up 1-1/2 in.	16 in. x 12 in. x 7 in.	L18 in. x W15 in. x H8 in.	11.00
582320	Sconce-Bastion	3/4 in.	Down 1/2 in.	12 in. x 6-1/4 in. x 5-1/2 in.	L12 in. x W12 in. x H5 in.	5.00
582330	Sconce-Gothic	3/4 in.	Down 1/2 in.	12 in. x 6-1/4 in. x 5-1/2 in.	L12 in. x W12 in. x H5 in.	5.00
582340	Sconce-Rip Van	3/4 in.	Down 1 in.	7-1/2 in. x 7-1/4 in. x 3 in.	L12 in. x W12 in. x H5 in.	5.00
582350	Sconce-Sheer Lion	3/4 in.	Down 1 in.	7-1/8 in. x 9-1/8 in. x 3 in.	L12 in. x W12 in. x H5 in.	5.00
582360	Sconce-Tuscany	3/4 in.	Center	13-3/8 in. x 6-7/8 in. x 3-3/4 in.	L18 in. x W15 in. x H8 in.	7.00
582370	Sconce-Corinthian	3/4 in.	Center	9 in. x 8-1/2 in. x 4-3/4 in.	L12 in. x W12 in. x H5 in.	5.00
582380	Sconce-Polynesia	3/4 in.	Up 1/2 in.	7-1/4 in. x 7 in. x 4-1/2 in.	L8 in. x W8 in. x H4 in.	4.00
582390	Sconce-Sonrisa	3/4 in.	Center	14-1/2 in. x 7-1/4 in. x 6 in.	L18 in. x W15 in. x H8 in.	7.00
582030	Rosette-Biscayne	3/4 in.	Center	7-1/4 in. x 7-1/4 in. x 1-1/2 in.	L8 in. x W8 in. x H4 in.	4.00
582040	Rosette-Aegean	3/4 in.	Down 3/4 in.	7-1/4 in. x 7-3/4 in. x 1-1/4 in.	L8 in. x W8 in. x H4 in.	3.00
582150	Rosette-circle leaves	3/4 in.	Center	7 in. x 7 in. x 1 in.	L8 in. x W8 in. x H4 in.	3.00
582160	Rosette-fluted	1 in.	Center	8-1/2 in. x 8-1/2 in. x 1-1/2 in.	L12 in. x W12 in. x H5 in.	3.00
582170	Rosette-4 point	3/4 in.	Center	6-3/4 in. x 6-3/4 in. x 1 in.	L8 in. x W8 in. x H4 in.	3.00
582180	Rosette-scalloped	7/8 in.	Center	8 in. x 8 in. x 1-1/2 in.	L8 in. x W8 in. x H4 in.	3.00
582190	Rosette-sunflower Sm	7/8 in.	Center	8 in. x 6-1/2 in. x 1-1/4 in.	L8 in. x W8 in. x H4 in.	3.00
582200	Rosette-sunflower Lg	1-3/4 in.	Center	14 in. x 11-1/2 in. x 2 in.	L18 in. x W15 in. x H8 in.	8.00
582210	Rosette-Star Sm	1/2 in.	Center	4-1/2 in. x 4-1/2 in. x 1 in.	L8 in. x W8 in. x H4 in.	2.00
582220	Rosette-Star Med	3/4 in.	Center	6-3/4 in. x 6-3/4 in. x 1 in.	L8 in. x W8 in. x H4 in.	3.00
582230	Rosette-Oak Leaf	3/4 in.	Center	4-3/4 in. x 4-3/4 in. x 1-1/4 in.	L8 in. x W8 in. x H4 in.	3.00
582240	Rosette-Art Deco	1 in.	Center	5-3/4 in. x 5-3/4 in. x 2-1/4 in.	L8 in. x W8 in. x H4 in.	3.00
582250	Rosette-Chanterelle	3/4 in.	Center	6-1/4 in. x 8-3/4 in. x 1 in.	L12 in. x W12 in. x H5 in.	3.00
582260	Rosette-Round	3/4 in.	Center	8-1/2 in. x 8-1/2 in. x 1 in.	L12 in. x W12 in. x H5 in.	5.00
582270	Rosette-Sq. Fern	1/2 in.	Center	10-3/4 in. x 10-3/4 in. x 1-1/4 in.	L12 in. x W12 in. x H5 in.	5.00
582280	Rosette-Sq. Dahlia	3/4 in.	Center	10-3/4 in. x 10-3/4 in. x 1-1/4 in.	L12 in. x W12 in. x H5 in.	5.00
582290	Rosette-Fleur de Coeur	3/4 in.	Up 1 in.	9 in. x 7 in. x 4 in.	L12 in. x W12 in. x H5 in.	4.00
582470	Rosette-Basque	3/4 in.	Center	7-1/4 in. x 7-1/4 in. x 1 in.	L12 in. x W12 in. x H5 in.	2.50
582400	Shell-Conch	1/2 in.	Right 1 in.	5-1/2 in. x 7 in. x 3 in.	L8 in. x W8 in. x H4 in.	3.00
582410	Shell-Nautilus	1/2 in.	Down 1-1/4 in.	3 in. x 6 in. x 3-1/2 in.	L8 in. x W8 in. x H4 in.	3.00
582420	Shell-Fossil Nautilus	3/4 in.	Down 1 in.	8-1/4 in. x 7 in. x 2 in.	L12 in. x W12 in. x H5 in.	3.00
582430	Handhold-Shell	N/A	N/A	7-1/4 in. x 6 in. x 2 in.	L8 in. x W8 in. x H4 in.	3.00
582440	Handhold-St. Lucie	N/A	N/A	6 in. x 6 in. x 2 in.	L8 in. x W8 in. x H4 in.	3.00
582450	Handhold-St Augustine	N/A	N/A	6 in. x 6 in. 2-1/2 in.	L8 in. x W8 in. x H4 in.	3.00
582460	Handhold-Lion	N/A	N/A	6 in. x 6 in. x 2-1/2 in.	L8 in. x W8 in. x H4 in.	2.00
582000	Figurehead-Neptune	1-3/4 in.	Down 2-1/2 in.	10-1/2 in. x 11-1/4 in. x 3 in.	L12 in. x W12 in. x H5 in.	7.00
582010	Figurehead-Expression	1 in.	Down 1-1/4 in.	4-1/2 in. x 5-1/2 in. x 2 in.	L8 in. x W8 in. x H4 in.	2.00
582480	Figurehead-Carp	1 in.	Down 1/2 in.	9-1/4 in. x 6-3/4 in. x 3-1/2 in.	L12 in. x W12 in. x H5 in.	4.00

DECK JET & MAGICSTREAM® DECK JET II

TRADEGRADE



Deck Jet



MagicStream Deck Jet II

Featured Highlights

Deck Jet

- Deck Jet includes five interchangeable water effect eyeballs that are easy to remove and simple to change. Also Includes construction shield.
- Streams reach to eight feet, and direction can be easily adjusted
- Low water pressure requirement for minimum impact on pump performance

MagicStream Deck Jet II

- Height is adjustable to a maximum of six feet. Water direction is adjustable up to 360 degrees.
- Easy-to adjust nozzles enable your creativity: concentrate all streams into a single entry point, overlap streams of different heights, or create a symmetrical, multi-stream archway...and more
- Quality design assures low water flow requirements and eliminates any concerns about standing water or unwanted debris collection
- Attractive installation with no unsightly or unsafe edges or screws

CALIFORNIA PROPOSITION 65 WARNING

⚠ **WARNING:** Cancer and Reproductive Harm.
 ⚠ **AVERTISSEMENT:** Peut Causer le Cancer et des Dommages au Système Reproducteur.
 ⚠ **ADVERTENCIA:** Cáncer y Daño Reproductivo.
www.p65warnings.ca.gov

Deck Jet water effects can be cast into concrete decks and gunite pool walls, mounted in the sidewall of aboveground and vinyl-lined pools, or blended into surrounding landscapes.

MagicStream Deck Jet II creates a graceful arc of water that enters the pool with a gentle splash. The stream seems to appear magically from the pool deck since the jet installs flush and out of sight.

Ordering Information

Product	Description	Carton Qty.	Carton Wt.
DECK JET			
580000	Deck Jet	1	1
MAGICSTREAM DECK JET II			
580003	Magic Stream Deck Jet II	4	3



WHITE GOODS



ADMIRAL™ S15 AND S20 SKIMMERS

ADMIRAL SKIMMERS FOR POOLS AND SPAS



Admiral Skimmers



Admiral Skimmer Accessories

Admiral S15 Skimmers offer a variety of bases and throats for a wide variety of plumbing and construction requirements, configurations and materials. These skimmers have an innovative lock-down lid that can be personalized with custom logo disks. S15 Skimmers are injection molded of high strength ABS and are available with a flap weir for skimming action.

Admiral S20 Skimmers have a PVC reinforced twin port base. S20 may be purchased with equalizer for commercial and NSF applications or for when the second port is connected to the main drain. All models include the innovative lock down lid that can be personalized with custom logo disks and are available with a flap weir or the circular weir for superior skimming action.

Featured Highlights

- Admiral 15 Skimmers: High strength ABS body
- Admiral S20 Skimmers: Reinforced PVC base
- Slip FIPT, 1-1/2 inch or 2 inch
- Variety of throat lengths
- Easy to install
- Innovative lock down lid
- 1-1/2 inch and 2 inch ports
- Lid extension collars
- Flap weir or the circular weir
- Custom logo disk available

Ordering Information

Product	Description	Carton Qty.	Carton Wt. (Lbs.)
S15 SKIMMERS FOR CONCRETE CONSTRUCTION			
84120100	S15, circ. weir, 1-1/2 in., threaded	1	10
84120200	S15, circ. weir, 2 in., threaded	1	10
84900300	S15, flap weir, 1-1/2 in., threaded	1	10
S15 SKIMMERS FOR VINYL CONSTRUCTION			
84151500	S15, OM circ. weir, 1-1/2 in., threaded short throat	1	10
84141100	S15, circ. weir, 1-1/2 in., threaded short throat	1	10
S20 SKIMMERS FOR CONCRETE CONSTRUCTION			
84420405	S20, flap weir, no equalizer, 1-1/2 in. slip	1	10
84420500	S20, circ. weir, equalizer, 2 in. threaded, FIPT ¹	1	12
84420505	S20, circ. weir, equalizer, 2 in. slip ¹	1	12
84420530	S20, circ. weir, equalizer, 2 in. threaded, tan ¹	1	12
84420535	S20, circ. weir, equalizer, 2 in. slip, tan ¹	1	12
84420730	S20, circ. weir, 2 in. threaded, tan	1	10
84420735	S20, circ. weir, 2 in. slip, tan	1	10
84420600	S20, flap weir, equalizer, 2 in. threaded, FIPT ¹	1	12
84420605	S20, flap weir, equalizer, 2 in. slip ¹	1	12
84420630	S20, flap weir, equalizer, 2 in. threaded, tan ¹	1	12
84420635	S20, flap weir, equalizer, 2 in. slip, tan ¹	1	12
84420700	S20, circ. weir, no equalizer, 2 in. threaded, FIPT	1	10
84420705	S20, circ. weir, no equalizer, 2 in. slip	1	10
84420800	S20, flap weir, no equalizer, 2 in. threaded, FIPT	1	10
84420805	S20, flap weir, no equalizer, 2 in. slip	1	10
84420730	S20, circ. weir, 2 in. threaded, tan	1	10
84420735	S20, circ. weir, 2 in. slip, tan	1	10
S20 SKIMMERS FOR VINYL LINER POOLS			
84452200	S20S flap weir, equalizer, XLG std. 1-1/2 in. threaded, short throat 8-3/4 in. ¹	1	10
84472400	S20L flap weir, XLG std. 1-1/2 in. threaded, long throat 13 in.	1	10
S20 SKIMMERS FOR FIBERGLASS POOLS			
500023	S20, "WEDGE" flap weir, equalizer, 2 in. slip ¹	1	10

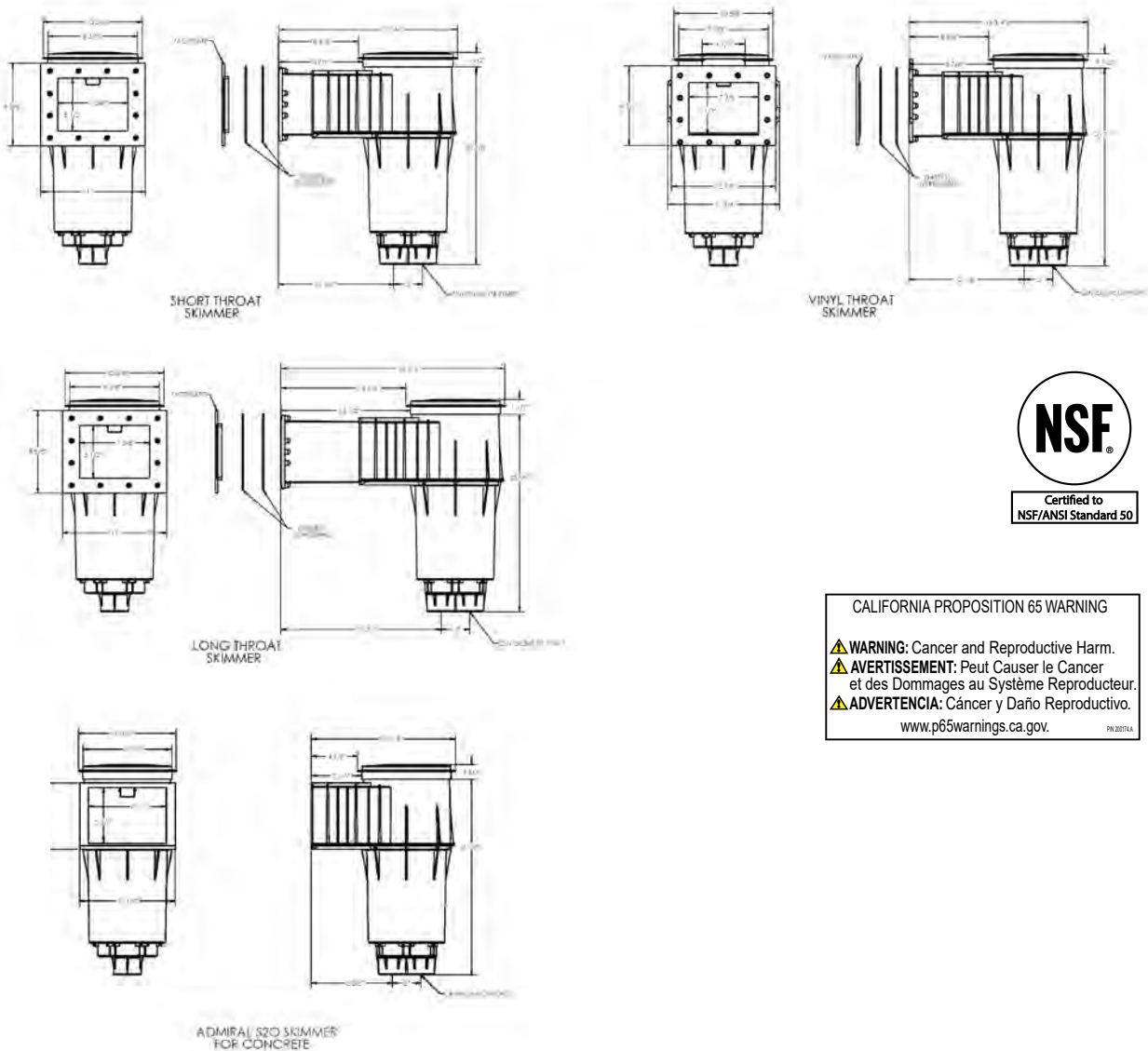
¹ NSF listed for commercial installation. Check valve 506162 must be purchased separately.

ADMIRAL™ S15 & S20 SKIMMERS (CONT'D)

506162	Equalizer check valve	1	0.25
85018000	Lid with ring seat, S15 & S20, 9 in. beige	1	1
85002300	Extension collar for ring seat, adjustable to 3 in.	1	0.50
85001900	Vacuum plate adapter, S15 & S20	1	0.50
85007400Z	Lock down lid for existing Admiral skimmers, white	1	0.50
85007411	Lock down lid for existing Admiral skimmers, black	1	0.50
85007413	Lock down lid for existing Admiral skimmers, gray	1	0.50
85007430	Lock down lid for existing Admiral skimmers, tan	1	0.50
85000400	Lid/collar set, white	1	0.50
85000411	Lid/collar set, black	1	0.50

Dimensions and Performance

ADMIRAL S20 SKIMMER PROFILE



Certified to
NSF/ANSI Standard 50

CALIFORNIA PROPOSITION 65 WARNING

⚠ **WARNING:** Cancer and Reproductive Harm.
 ⚠ **AVERTISSEMENT:** Peut Causer le Cancer et des Dommages au Système Reproducteur.
 ⚠ **ADVERTENCIA:** Cáncer y Daño Reproductivo.
www.p65warnings.ca.gov

BERMUDA™ SKIMMERS

SKIMMERS FOR GUNITE POOLS, VINYL LINER AND FIBERGLASS POOLS

Featured Highlights

Choose among the following configurations:

- ABS or PVC
- White, black and tan colors available
- 1-1/2 in. or 2 in. slip or threaded ports
- Optional equalizer valve

Bermuda Skimmers feature a heavy-duty one-piece construction with sturdy external ribbing for superior strength. All Bermuda Skimmers for vinyl liner and fiberglass pools are made from ABS plastic.



Vinyl/Fiberglass Skimmer



Gunite Skimmer

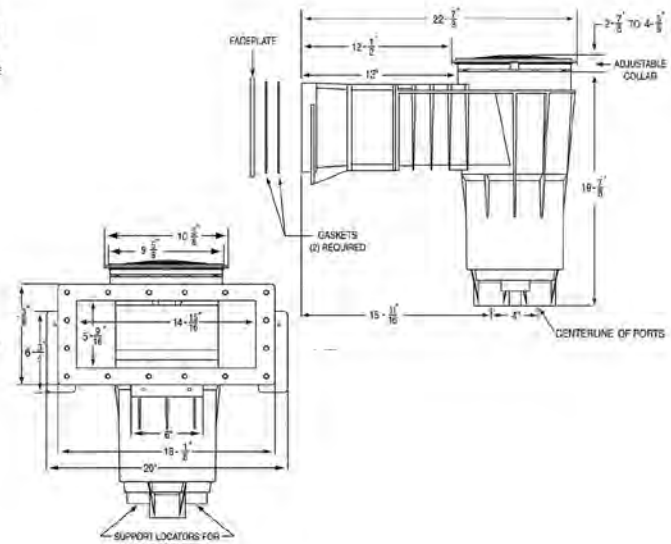
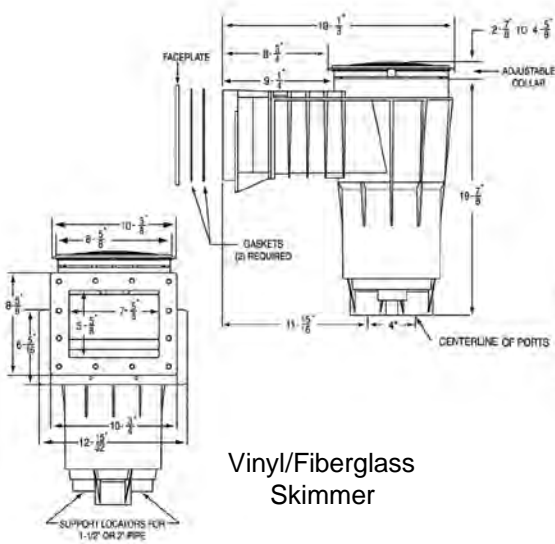


Wide-mouth Vinyl/Fiberglass Skimmer

Dimensions and Performance



CALIFORNIA PROPOSITION 65 WARNING
 ⚠️ **WARNING:** Cancer and Reproductive Harm.
 ⚠️ **AVERTISSEMENT:** Peut Causer le Cancer et des Dommages au Système Reproducteur.
 ⚠️ **ADVERTENCIA:** Cáncer y Daño Reproductivo.
www.p65warnings.ca.gov P62801A



BERMUDA™ SKIMMERS (CONT'D)

Ordering Information



A

B



F



E

CALIFORNIA PROPOSITION 65 WARNING
 ⚠️ **WARNING:** Cancer and Reproductive Harm.
 ⚠️ **AVERTISSEMENT:** Peut Causer le Cancer et des Dommages au Système Reproducteur.
 ⚠️ **ADVERTENCIA:** Cáncer y Daño Reproductivo.
www.p65warnings.ca.gov PN 2014

Product	Description	Material Type	Carton Qty.	Carton Wt. (Lbs.)
GUNITE SKIMMERS				
506300	2 in. Slip ports, white	PVC	1	10
506301	2 in. Threaded ports, white	PVC	1	10
506302	2 in. Slip ports, tan	PVC	1	10
506304	1-1/2 in. Slip ports, white	PVC	1	10
506361	2 in. Slip ports, white	ABS	1	10
506362	2 in. Threaded ports, white	ABS	1	10
506363	1-1/2 in. Slip ports, white	ABS	1	10
506364	1-1/2 in. Threaded ports, white	ABS	1	10
506365	2 in. Slip ports, black	ABS	1	10
GUNITE SKIMMERS WITH FLOAT VALVE ASSEMBLY				
506382	2 in. Slip ports, tan	ABS	1	10
506308	2 in. Slip ports with float valve, white	PVC	1	10
506309	2 in. Threaded ports with float valve, white	PVC	1	10
506310	2 in. Slip ports, tan	PVC	1	10
GUNITE SKIMMERS WITH FLOAT VALVE & EQUALIZER VALVE ASSEMBLY				
506370	2 in. slip ports, white ¹ (BKG)	PVC	1	10
506380	2 in. slip ports, white ¹ (ABKG)	ABS	1	10
506381	2 in. threaded ports, white ¹ (ABKG)	ABS	1	10
VINYL/FIBERGLASS SKIMMER				
506420	1-1/2 in. Slip ports, white	ABS	1	10
506421	1-1/2 in. Threaded ports, white	ABS	1	10
506480	1-1/2 in. Threaded ports, black	ABS	1	10
WIDE-MOUTH SKIMMER FOR VINYL LINER & FIBERGLASS POOLS				
506520	1-1/2 in. Slip ports, white	ABS	1	10
506521	1-1/2 in. Threaded ports, white	ABS	1	10
506581	1-1/2 in. Threaded ports, black	ABS	1	10

¹ NSF listed.

Item	Product	Description	Carton Wt. (Lbs.)
BERMUDA ACCESSORIES			
A	506160	Float valve assembly	1
B	506161	Vacuum plate/insert assembly, white	0.50
C	506162	Equalizer valve assembly	1.3
E	516253	Gunite extension collar, white, 3-1/8 in. length	0.20
E	516258	Gunite extension collar, tan, 3-1/8 in. length	0.60
E	516329	Gunite extension collar, black, 3-1/8 in. length	0.60
F	510327	Deck lid and collar assembly with screws, dark gray	1.3
F	510332	Deck lid, dark gray	0.50
F	516215	Deck lid, white	0.50
F	516216	Deck lid, tan	0.50
F	516254	Deck lid and collar assembly with screws, white	1.3
F	516261	Deck lid and collar assembly with screws, tan	1.3
F	516306	Deck lid, black	0.50
F	516328	Deck lid and collar assembly with screws, black	1.3

See pages 563 for replacement parts.

U-3 SKIMMERS

SWIMQUIP INGROUND SKIMMERS



Ordering Information

Product	Description	Carton Qty.	Carton Wt. (Lbs.)
SKIMMERS FOR CONCRETE POOLS			
08650-1403	U-3 Skimmer White w/ White Lid & Frame, 2 in. NPT with 1-1/2 in. NPT Reducers; Incl. Float and Check Valve, Basket ¹	48	10
08650-3403	U-3 Skimmer Gray w/ Gray Lid & Frame, 2 in. NPT with 1-1/2 in. NPT Reducers; Incl. Float and Check Valve, Basket; NSF ¹	48	10
08650-3403E	U-3 Skimmer Gray, w/ Tan Lid & Frame, 2 in. NPT with 1-1/2 in. NPT Reducers; Incl. Float and Check Valve, Basket; NSF ¹	48	10
08650-2403	U-3 Skimmer White w/ Tan Lid & Frame, 2 in. NPT with 1-1/2 in. NPT Reducers; Incl. Float and Check Valve, Basket ¹	48	10
08650-1404	U-3 Skimmer White w/ White Lid & Frame, 2 in. Slip with 1-1/2 in. Slip Reducers; Incl. Float and Check Valve, Basket ¹	48	10
08650-3404	U-3 Skimmer Gray w/ Gray Lid & Frame, 2 in. Slip with 1-1/2 in. Slip Reducers; Incl. Float and Check Valve, Basket; NSF ¹	48	10
08650-3404E	U-3 Skimmer Gray, w/ Tan Lid & Frame, 2 in. Slip with 1-1/2 in. Slip Reducers; Incl. Float and Check Valve, Basket; NSF ¹	48	10
08650-2404	U-3 Skimmer White w/ Tan Lid & Frame, 2 in. Slip with 1-1/2 in. Slip Reducers; Incl. Float and Check Valve, Basket ¹	48	10
08650-4403	U-3 Skimmer White w/ White Lid & Frame, 2 in. NPT with 1-1/2 in. NPT Reducers; Incl. Basket w/o float	48	9
08650-6403	U-3 Skimmer Gray w/ Gray Lid & Frame, 2 in. NPT with 1-1/2 in. NPT Reducers; Incl. Basket w/o float	48	9
08650-6403E	U-3 Skimmer Gray, w/ Tan Lid & Frame, 2 in. NPT with 1-1/2 in. NPT Reducers; Incl. Basket w/o float	48	9
08650-5403	U-3 Skimmer White w/ Tan Lid & Frame, 2 in. NPT with 1-1/2 in. NPT Reducers; Incl. Basket w/o float	48	9
08650-4404	U-3 Skimmer White w/ White Lid & Frame, 2 in. Slip with 1-1/2 in. Slip Reducers; Incl. Basket w/o float	48	9
08650-6404	U-3 Skimmer Gray w/ Gray Lid & Frame, 2 in. Slip with 1-1/2 in. Slip Reducers; Incl. Basket w/o float	48	9
08650-6404E	U-3 Skimmer Gray w/ Tan Lid & Frame, 2 in. Slip with 1-1/2 in. Slip Reducers; Incl. Basket w/o float	48	9
08650-5404	U-3 Skimmer White w/ Tan Lid & Frame, 2 in. Slip with 1-1/2 in. Slip Reducers; Incl. Basket w/o float	48	9
SKIMMERS FOR VINYL POOLS			
09655-1403	Vinyl Skimmer – White; 2 in. NPT with 1-1/2 in. NPT Reducers	32	10
09655-1404	Vinyl Skimmer – White; 2 in. Slip with 1-1/2 in. Slip Reducers	32	10
09655-2403	Vinyl Skimmer – White w/ Tan Lid & Frame; 2 in. NPT with 1-1/2 in. NPT Reducers	32	10
09655-2404	Vinyl Skimmer – White w/ Tan Lid & Frame; 2 in. Slip with 1-1/2 in. Slip Reducers	32	10
09655-0010	Skimmer Mount Space Block (for vinyl pools only)	32	0.25



¹ NSF Certified. Only skimmers with Float Valve assemblies are NSF approved.

Note: All U-3 Skimmers are made with high strength ABS plastic.

CALIFORNIA PROPOSITION 65 WARNING

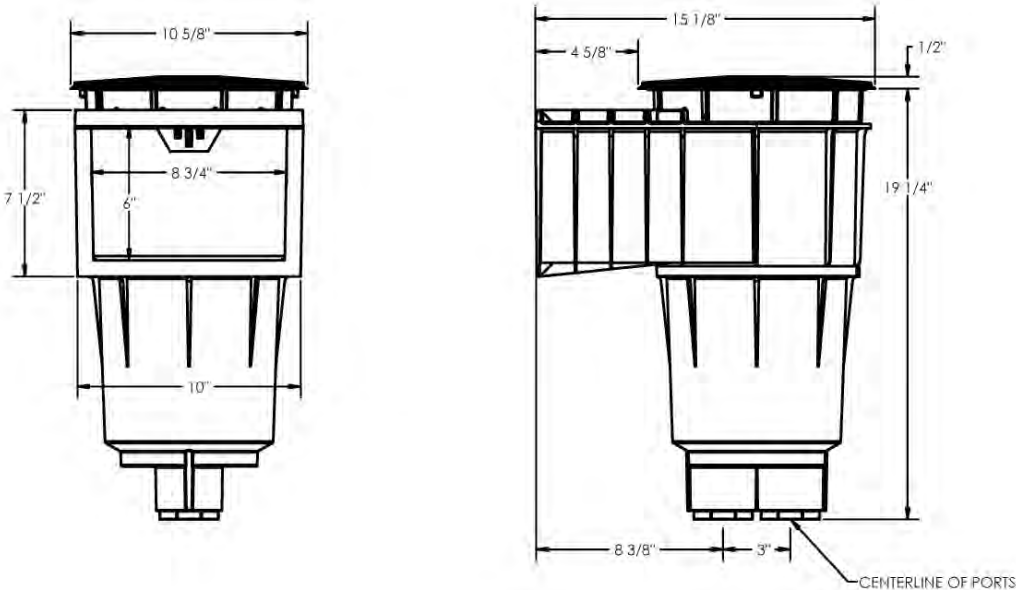
⚠ **WARNING:** Cancer and Reproductive Harm.
 ⚠ **AVERTISSEMENT:** Peut Causer le Cancer et des Dommages au Système Reproducteur.
 ⚠ **ADVERTENCIA:** Cáncer y Daño Reproductivo.

www.p65warnings.ca.gov. PR 2015A

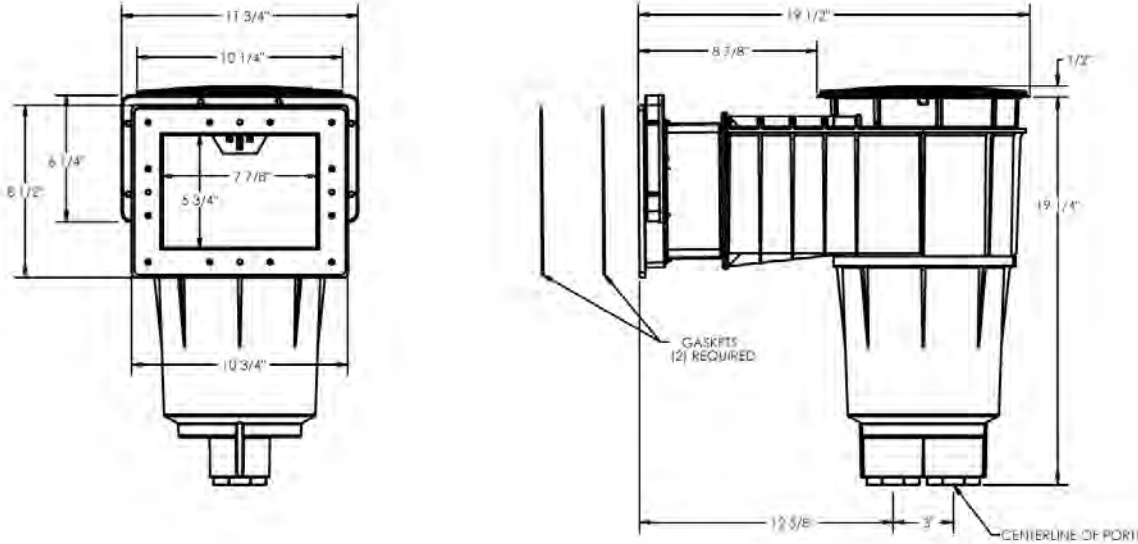
U-3 SKIMMERS (CONT'D)

Dimensions and Performance

U3 Skimmer for concrete



U3 Skimmer for vinyl



See page 564 for replacement parts.

REPLACEMENT SKIMMER LIDS WITH AND WITHOUT THERMOMETERS



Skimmer Lids with Thermometers

Skimmer thermometers eliminate misplacement, theft and breakage problems sometimes seen with floating thermometers. The hermetically sealed face is built for strength and weather resistance. The outside temperature will not affect the performance of the thermometer.

Featured Highlights

- Lids are available in 3 colors to blend with the pool environment
- Available to fit Pentair Aquatic Systems and other popular skimmer brands

CALIFORNIA PROPOSITION 65 WARNING

⚠ **WARNING:** Cancer and Reproductive Harm.
 ⚠ **AVERTISSEMENT:** Peut Causer le Cancer et des Dommages au Système Reproducteur.
 ⚠ **ADVERTENCIA:** Cáncer y Daño Reproductivo.
www.p65warnings.ca.gov

Ordering Information

Product	Description	Carton Qty.	Carton Wt. (Lbs.)
SKIMMER LIDS WITH THERMOMETER			
L1	SwimQuip, Swimrite, Jacuzzi® (New Style), Hayward®, 9-7/8 in., white	1	3/4
L1B	SwimQuip, Swimrite, Jacuzzi (New Style), Hayward, 9-7/8 in., almond	1	3/4
L1G	SwimQuip, Swimrite, Jacuzzi (New Style), Hayward, 9-7/8 in., gray	1	3/4
L2	Baker Hydro®, 9-7/8 in., white	1	3/4
L3	Hayward, Square, 10 in. x 10 in., white	1	3/4
L4B	Pentair Aquatic Systems, 9-3/16 in. round, almond	1	3/4
L4G	Pentair Aquatic Systems, 9-3/16 in. round, gray	1	3/4
L4W	Pentair Aquatic Systems, 9-3/16 in. round, white	1	3/4
L5	Pentair Aquatic Systems, (Old Style), 8-3/8 in., white	1	3/4
L6B	Pentair Aquatic Systems, Bermuda, 9-1/4 in., almond	1	3/4
L6G	Pentair Aquatic Systems, Bermuda, 9-1/4 in., gray	1	3/4
L6W	Pentair Aquatic Systems, Bermuda, 9-1/4 in., white	1	3/4
SKIMMER LIDS WITHOUT THERMOMETER			
L1RW	SwimQuip, Swimrite, Jacuzzi, Hayward (New Style), 9-7/8 in., white	1	3/4
L1RG	SwimQuip, Swimrite, Jacuzzi, Hayward (New Style), 9-7/8 in., gray	1	3/4
L1RB	SwimQuip, Swimrite, Jacuzzi, Hayward (New Style), 9-7/8 in., almond	1	3/4
L2R	Baker, Hydro, 9-7/8 in., white	1	3/4
L4RW	American Products, 9-3/16 in. round, white	1	3/4
L4RG	American Products, 9-3/16 in. round, gray	1	3/4
L4RB	American Products, 9-3/16 in. round, almond	1	3/4
L5R	Pentair Aquatic Systems (Old Style), 8-3/8 in., white	1	3/4
L6RW	Pentair Aquatic Systems, Bermuda, 9-1/4, white	1	3/4
L6RG	Pentair Aquatic Systems, Bermuda, 9-1/4, gray	1	3/4
L6RB	Pentair Aquatic Systems, Bermuda, 9-1/4, almond	1	3/4

Jacuzzi® is a registered trademark of Jacuzzi, Inc.; Hayward® is a registered trademark of Hayward Industries, Inc.; Baker Hydro® is a registered trademark of Waterco USA DBA Baker Hydro Corp.

GUTTER DRAINS

DRAINS AND FITTINGS

Featured Highlights

Pentair gutter drains come with an extra deep socket connection

CALIFORNIA PROPOSITION 65 WARNING

⚠ **WARNING:** Cancer and Reproductive Harm.
 ⚠ **AVERTISSEMENT:** Peut Causer le Cancer et des Dommages au Système Reproducteur.
 ⚠ **ADVERTENCIA:** Cáncer y Daño Reproductivo.
www.p65warnings.ca.gov



540064



542038

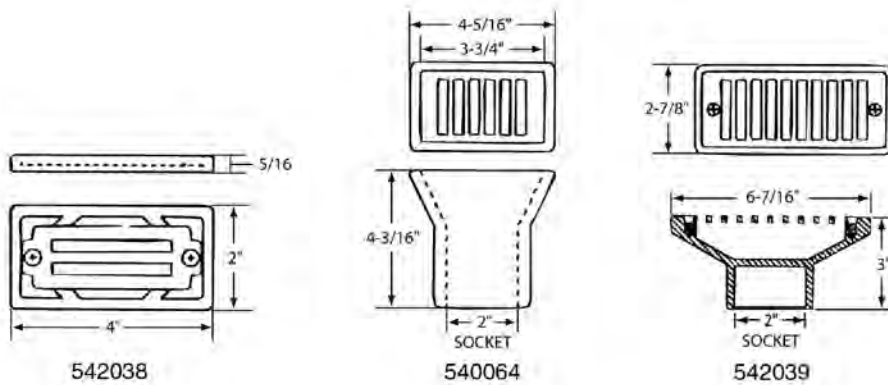


542039

Ordering Information

Product	Description	Flow Rate (GPM)	Open Area (Sq. In.)	Carton Qty.
GUTTER DRAINS				
540063	2 in. x 4 in. gutter drain & grate, white	14.5 @ 1-1/2 ft./sec.	3.09	50
540064	2 in. x 4 in. gutter drain & grate, black	14.5 @ 1-1/2 ft./sec.	3.09	50
540065	2 in. x 4 in. gutter drain & grate, dark gray	14.5 @ 1-1/2 ft./sec.	3.09	50
542038	2 in. x 4 in. 3-bar frame & grate, white	8.0 @ 1-1/2 ft./sec.	1.71	500
542039	2-1/2 in. x 6 in. gutter drain & grate, white	22.5 @ 1-1/2 ft./sec.	4.81	24
542146	2 in. x 4 in. grate (hi-style), white	14.5 @ 1-1/2 ft./sec.	3.09	500
552511	2 in. x 4 in. grate (fits 540063, 542037)	14.5 @ 1-1/2 ft./sec.	3.09	500

Dimensions and Performance



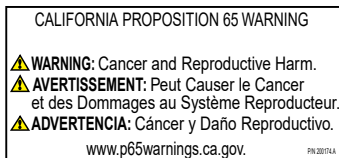
STARGUARD® MAIN DRAINS

MAIN DRAIN FRAME AND GRATE

StarGuard Main Drains comply with provisions of the ANSI/APSP/ICC-16 2017 standard and the Virginia Graeme Baker Pool and Spa Safety Act. High quality StarGuard main drains are available in white, black, gray, and dark gray as well as a variety of configurations to fit most residential inground pool or spa installations. StarGuard main drains have 15.35 square inches of open area for water flow and allow flow rates up to 72 GPM at 1-1/2 ft./sec.

Featured Highlights

- Available in Multiple Colors
- Compliant with the Virginia Graeme Baker Act



Ordering Information

Product	Description	Flow Rate Floor (GPM)	Flow Rate Wall (GPM)	Open Area (Sq. In.)
8 IN. STARGUARD COVER WITH LONG RING				
500108	8 in. StarGuard cover w/ long ring (single), white	136	88	15.35
500100	8 in. StarGuard cover w/ long ring (single), black	136	88	15.35
500101	8 in. StarGuard cover w/ long ring (single), dark gray	136	88	15.35
500102	8 in. StarGuard cover w/ long ring (single), gray	136	88	15.35
500140	8 in. StarGuard cover w/ long ring (2 pack), white	136	88	15.35
500141	8 in. StarGuard cover w/ long ring (2 pack), black	136	88	15.35
500142	8 in. StarGuard cover w/ long ring (2 pack), dark gray	136	88	15.35
500143	8 in. StarGuard cover w/ long ring (2 pack), gray	136	88	15.35
8 IN. STARGUARD COVER WITH SHORT RING AND COVER				
500103	8 in. StarGuard cover w/ short ring (single), white	136	88	15.35
500104	8 in. StarGuard cover w/ short ring (single), black	136	88	15.35
500105	8 in. StarGuard cover w/ short ring (single), dark gray	136	88	15.35
500106	8 in. StarGuard cover w/ short ring (single), gray	136	88	15.35
500144	8 in. StarGuard cover w/ short ring (2 pack), white	136	88	15.35
500145	8 in. StarGuard cover w/ short ring (2 pack), black	136	88	15.35
500146	8 in. StarGuard cover w/ short ring (2 pack), dark gray	136	88	15.35
500147	8 in. StarGuard cover w/ short ring (2 pack), gray	136	88	15.35
8 IN. STARGUARD DRAIN WITH 2 IN. SIDE AND 1-1/2 IN. BOTTOM PORTS ABS SUMP WITH RING AND COVER				
500110	8 in. StarGuard drain w/ 2 in. side & 1-1/2 in. bottom ports ABS sump w/ ring & cover (2 pack), white	136	88	15.35
500111	8 in. StarGuard drain w/ 2 in. side & 1-1/2 in. bottom ports ABS sump w/ ring & cover (2 pack), black	136	88	15.35
500113	8 in. StarGuard drain w/ 2 in. side & 1-1/2 in. bottom ports ABS sump w/ ring & cover (2 pack), dark gray	136	88	15.35
500114	8 in. StarGuard drain w/ 2 in. side & 1-1/2 in. bottom ports ABS sump w/ ring & cover (2 pack), gray	136	88	15.35

STARGUARD® MAIN DRAINS (CONT'D)

Product	Description	Flow Rate Floor (GPM)	Flow Rate Wall (GPM)	Open Area (Sq. In.)
8 IN. STARGUARD DRAIN WITH 2 IN. SIDE PORT ABS SUMP WITH RING AND COVER				
500115	8 in. StarGuard drain w/ 2 in. side port ABS sump w/ ring & cover (2 pack), white	136	88	15.35
500116	8 in. StarGuard drain w/ 2 in. side port ABS sump w/ ring & cover (2 pack), black	136	88	15.35
500117	8 in. StarGuard drain w/ 2 in. side port ABS sump w/ ring & cover (2 pack), dark gray	136	88	15.35
500118	8 in. StarGuard drain w/ 2 in. side port ABS sump w/ ring & cover (2 pack), gray	136	88	15.35
8 IN. STARGUARD DRAIN WITH DUAL 2 IN. BOTTOM PORTS ABS SUMP AND COVER				
500120	8 in. StarGuard drain w/ dual 2 in. bottom ports ABS sump & cover (2 pack), white	136	88	15.35
500121	8 in. StarGuard drain w/ dual 2 in. bottom ports ABS sump & cover (2 pack), black	136	88	15.35
500122	8 in. StarGuard drain w/ dual 2 in. bottom ports ABS sump & cover (2 pack), dark gray	136	88	15.35
500123	8 in. StarGuard drain w/ dual 2 in. bottom ports ABS sump & cover (2 pack), gray	136	88	15.35
8 IN. STARGUARD DRAIN WITH 2 IN. SIDE AND 1-1/2 IN. BOTTOM VINYL LINER ABS SUMP				
500130	8 in. StarGuard drain w/ 2 in. side & 1-1/2 in. bottom vinyl liner ABS sump (2 pack), white	136	88	15.35



500108
8 in. StarGuard cover
w/ long ring



500103
8 in. StarGuard cover
w/ short ring



500110
8 in. StarGuard drain w/ 2 in.
side & 1-1/2 in. bottom ports ABS
sump w/ ring & cover



500115
8 in. StarGuard drain
w/ 2 in. side port ABS
sump w/ ring & cover



500120
8 in. StarGuard drain w/
dual 2 in. bottom ports
ABS sump & cover



500130
8 in. StarGuard drain w/ 2
in. side & 1-1/2 in. bottom
vinyl liner ABS sump

See page 568 for replacement parts.

POOL SPECIALTY FITTINGS

Pentair plumbing unions are available in a wide variety of configurations. Specialty fittings such as the snap lock wall fitting, anchor cup and rope hooks and the molded recessed steps are designed for ease of installation. Deck valve lid and ring allow for access to under deck valves and fittings. These fittings are manufactured to Pentair's high standards.

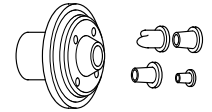
CALIFORNIA PROPOSITION 65 WARNING
 ⚠️ **WARNING:** Cancer and Reproductive Harm.
 ⚠️ **AVERTISSEMENT:** Peut Causer le Cancer et des Dommages au Système Reproducteur.
 ⚠️ **ADVERTENCIA:** Cáncer y Daño Reproductivo.
 www.p65warnings.ca.gov. #9.201714

Ordering Information

Product	Description	Carton Qty.	Carton Wt. (Lbs.)
ENERGY EFFICIENT FITTINGS			
178741	Sweep Elbow, PVC, White, 2-1/2 in. Socket, 3 in. Spigot. W=75	1	0.92
COMPLETE INSIDER WALL INLET FITTINGS FOR CONCRETE POOLS			
08428-0000	1-1/4 in. Slip, 3/16 in., 1/2 in., 3/4 in., 90° Nozzles, white	1	0.50
08429-0000	1-1/2 in. Slip, 3/16 in., 1/2 in., 3/4 in., 90° Nozzles, white	1	0.50
08428-0100	1-1/4 in. Slip, 3/16 in., 1/2 in., 3/4 in., 90° Nozzles, dark gray	1	0.50
08429-0100	1-1/2 in. Slip, 3/16 in., 1/2 in., 3/4 in., 90° Nozzles, dark gray	1	0.50
EYEBALL INSIDER INLET FITTINGS			
08434-0000	1-1/2 in. Slip, 1/2 in., 3/4 in., 90° Nozzles, white	1	0.50
08434-0100	1-1/2 in. Slip, 1/2 in., 3/4 in., 90° Nozzles, dark gray	1	0.50
VINYL POOL FITTINGS			
08430-0050	1-1/2 in. NPT body PVC, white	1	1.
08430-0000	1-1/2 in. Slip body PVC, white	1	1.
HYDROSTATIC RELIEF VALVE			
07017-0151	1-1/2 in. NPT hydrostatic valve		0.2
07017-0158	2 in. NPT hydrostatic valve		0.2
ALL PURPOSE PLUGS			
195830	2 in. plug with O-ring		100
552612	1-1/2 in. flush plug, white		100
552614	1-1/2 in. flush plug, black		100
552622	1-1/2 in. plug with O-ring, white		100
552624	1-1/2 in. plug with O-ring, black		100
SPECIAL EYEBALL FITTINGS			
86204200	Reducer adapter, 1-1/2 in. o.d. x 1 in. slip, 1 in., white	50	10
86204211	Reducer adapter, 1-1/2 in. o.d. x 1 in. slip, 1 in., black	50	10
86204215	Reducer adapter, 1-1/2 in. o.d. x 1 in. slip, 1 in., dark gray	50	10
JETS FOR CONCRETE INSTALLATION			
46540000	Venturi Jet, 5/16 in. nozzle, 1/2 in. socket air x 1-1/2 in. socket water, 1-1/2 in. socket return	40	20
46540100	Venturi Jet, 1/2 in. nozzle	40	20



Sweep Elbow, PVC



Wall Inlet Fittings



Eyeball Inlet Fittings



Hydrostatic Relief Valve



2 in. Plug with O-Ring



46540000



46550000



86204200



1-1/2 in. Plug with O-Ring

POOL SPECIALTY FITTINGS (CONT'D)

Ordering Information

Product	Description	Carton Qty.	Carton Wt. (Lbs.)
FLOOR INLET FITTINGS			
08417-0000	2 in. Slip with 1-1/2 in. slip bushing, white ³	1	1
08417-0100	2 in. Slip with 1-1/2 in. slip bushing, gray ³	1	1
08417-0200	2 in. Slip with 1-1/2 in. slip bushing, black ³	1	1
SPECIAL FITTINGS			
46550000	Aerator Cap, 1-1/2 in. for air channel, white	50	13
46550015	Aerator Cap, 1-1/2 in. for air channel, dark gray	50	13
46550065	Aerator Cap, 1-1/2 in. for air channel, gray	50	13
510166	Hose adapter, straight, white ⁴	50	3
86201500	Aerator inlet (used as a return spray nozzle)	10	1
K12500	Snap Lock Kit Fitting	1	0.10
GW9530	Vac-port fitting, NSF listed	1	0.10
86200500	Vacuum or Winterizing plug with Oring	1	0.50
VALVE COVERS			
86300100	Valve Lid & Ring, ABS, 6 in., white	1	1
86300130	Valve Lid & Ring, ABS, 6 in., beige	1	1
GRATE INSERTS			
540056	Grate insert, 1-1/2 in. MIP, white ²	50	2
540057	Grate insert, 1-1/2 in. MIP, black ²	50	2
ROPE ANCHORS & HOOKS			
542044	Anchor Cup with SS bar, white ¹	100	24
542045	Anchor Cup with SS bar, black ¹	100	24
86201200	Anchor Cup, ABS, white	100	16
86201215	Anchor Cup, ABS dark gray	100	16
86201300	Anchor Cup, ABS with SS cross bar, white ¹	100	16
86201400	Rope Hook, 3/4 in., ABS	150	16
542142	Rope Hook for 3/4 in. rope with two SS screws	200	22
STEPS			
82400700	ABS Steps, set of three, white	1	3
82400800	ABS Steps, set of three, gray	1	3



Vacuum Plug



86201500



Rope Hook



Valve Lid & Ring
ABS



542044



542142

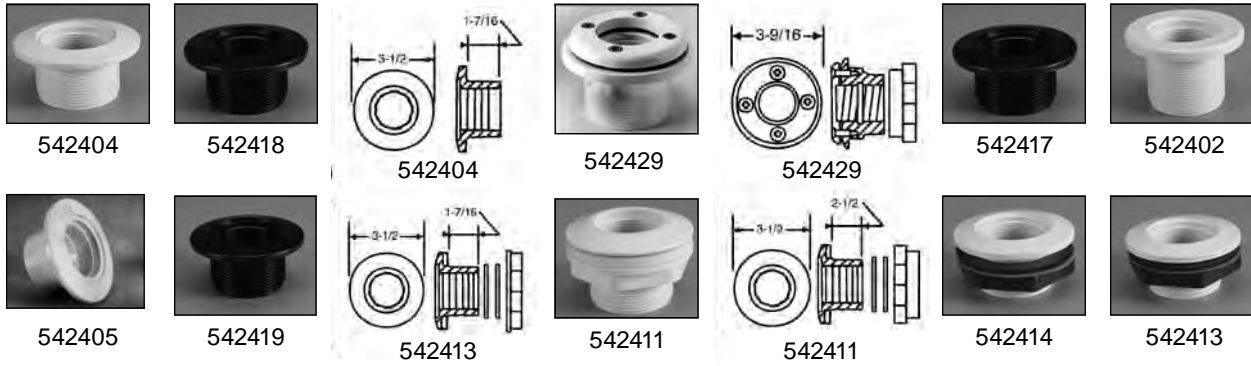
¹ Not for use with saltwater pools.

² Not for use as a suction fitting.

³ Use only as a floor inlet fitting.

⁴ Hose to NPT fittings.

RETURN FITTINGS FOR SWIMMING POOLS



Ordering Information

Product	Description	Carton Qty.	Carton Wt. (Lbs.)
GUNITE/CONCRETE			
542402	Long body, 1-1/2 in. threaded x 1-1/2 in. socket, white	50	9
542417	Long body, 1-1/2 in. threaded x 1-1/2 in. socket, black	50	9
542404	Standard body, 1-1/2 in. threaded x 1-1/2 in. threaded, white	50	9
542405	Standard body, 1-1/2 in. threaded x 1-1/2 in. socket, white	50	9
542418	Standard body, 1-1/2 in. threaded x 1-1/2 in. threaded, black	50	9
542419	Standard body, 1-1/2 in. threaded x 1-1/2 in. socket, black	50	9
FIBERGLASS POOLS & SPAS ²			
542411	Long body, 1-1/2 in. threaded x 1-1/2 in. socket, spacer/locknut, white	50	9
542413	Standard body, 1-1/2 in. threaded x 1-1/2 in. threaded, spacer/locknut, white	50	9
542414	Standard body, 1-1/2 in. threaded x 1-1/2 in. socket, comb. spacer/locknut, white	50	9
CONCRETE-WALLED VINYL LINER POOLS ¹			
542429	Standard body, 1-1/2 in. threaded x 1-1/2 in. socket, white	50	9
VINYL LINER FITTINGS			
86205100	1-1/2 in. FIPT with screws, vinyl liner, white	50	25
86205101	1-1/2 in. FIPT with screws, vinyl liner, black	50	25
86205103	1-1/2 in. FIPT with screws, vinyl liner, dark gray	50	25
545100	Face plate for vinyl liner return fitting, white	50	10
545101	Face plate for vinyl liner return fitting, black	50	10
545103	Face plate for vinyl liner return fitting, dark gray	50	10
INSIDER FITTINGS FOR GUNITE/CONCRETE POOLS			
542423	2 in. slip body, for schedule 40 pvc pipe, white	50	7
542424	2 in. slip body, for schedule 40 pvc pipe, black	50	7

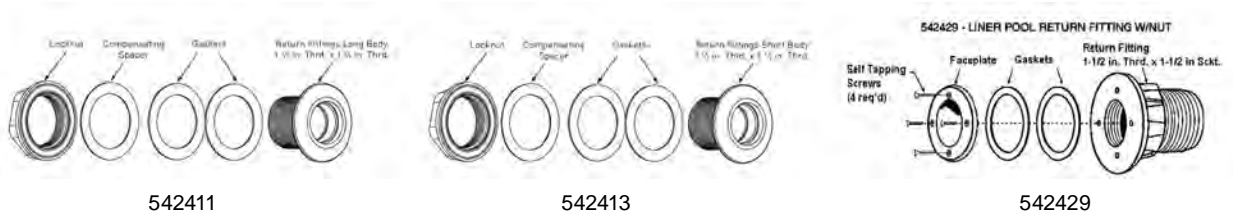
¹ Includes face plate, screws & gaskets.

² Includes back gaskets.



86205100

CALIFORNIA PROPOSITION 65 WARNING
 ⚠️ **WARNING:** Cancer and Reproductive Harm.
 ⚠️ **AVERTISSEMENT:** Peut Causer le Cancer et des Dommages au Système Reproducteur.
 ⚠️ **ADVERTENCIA:** Cáncer y Daño Reproductivo.
www.p65warnings.ca.gov 19/2021A



WALL FITTINGS - INLETS



Directional eyeball inlets with 1-1/2 in. MIP thread to fit standard female adapter or wall fitting



Insider directional inlet wall fittings with 1/2, 3/4, 1 in. and slotted openings



Economy Insider 542000

CALIFORNIA PROPOSITION 65 WARNING
 ⚠️ **WARNING:** Cancer and Reproductive Harm.
 ⚠️ **AVERTISSEMENT:** Peut Causer le Cancer et des Dommages au Système Reproducteur.
 ⚠️ **ADVERTENCIA:** Cáncer y Daño Reproductivo.
www.p65warnings.ca.gov PK201714

Ordering Information

Product	Description	Carton Qty.
1-1/2 INCH THREADED DIRECTIONAL EYEBALLS		
542087	Ultimate eyeball 1-1/2 in. threaded with snap-in disks, 1/2 in., 3/4 in., 1 in., and pressure test orifices, white	50
540000	Slotted opening, white	50
540001	Slotted opening, black	50
540002	Slotted opening, dark gray	50
540007	3/8 in. opening, white	50
540008	3/8 in. opening, black	50
540009	3/8 in. opening, dark gray	50
540014	1/2 in. opening, white	50
540015	1/2 in. opening, black	50
540016	1/2 in. opening, dark gray	50
540021Z	3/4 in. opening, white	50
540022	3/4 in. opening, black	50
540023	3/4 in. opening, dark gray	50
540028	1 in. opening, white	50
540029	1 in. opening, black	50
540030	1 in. opening, dark gray	50
ECONOMY INSIDER		
542000	1 in. slip inlet with snap-in 3/8 in., 3/4 in. and pressure test disks, white	300
542001	1 in. slip inlet with snap-in 3/8 in., 3/4 in. and pressure test disks, black	300
542002	1-1/2 in. slip inlet with snap-in 1/2 in., 3/4 in, 1 in., and pressure test disks, white	200
542003	1-1/2 in. slip inlet with snap-in 1/2 in., 3/4 in, 1 in., and pressure test disks, black	200
INSIDER DIRECTIONAL FITTINGS		
540035	1-1/2 in. slip inlet, 1/2 in., white	50
540036	1-1/2 in. slip inlet, 1/2 in., black	50
540037	1-1/2 in. slip inlet, 1/2 in., dark gray	50
540042	1-1/2 in. slip inlet, 3/4 in., white	50
540043	1-1/2 in. slip inlet, 3/4 in., black	50
540044	1-1/2 in. slip inlet, 3/4 in., dark gray	50
540049	1-1/2 in. slip inlet, 1 in., white	50
540050	1-1/2 in. slip inlet, 1 in., black	50
540051	1-1/2 in. slip inlet, 1 in., dark gray	50
540053	1-1/2 in. slip inlet, slot 1 in., white	50

AUTOMATIC WATER FILLERS

WATER LEVEL CONTROL



Automatic Water Fillers

CALIFORNIA PROPOSITION 65 WARNING
 ⚠️ **WARNING:** Cancer and Reproductive Harm.
 ⚠️ **AVERTISSEMENT:** Peut Causer le Cancer et des Dommages au Système Reproducteur.
 ⚠️ **ADVERTENCIA:** Cáncer y Daño Reproductivo.
 www.p65warnings.ca.gov. PA202514

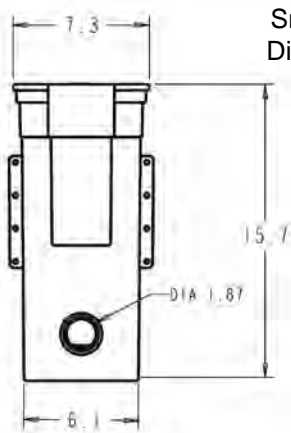
Featured Highlights

- Available for standard in-ground and vanishing edge pools
- Helps prevent equipment damage due to low water levels
- No electronic controls
- Aids in the prevention of water waste and landscape damage due to overfilling pool
- Available with white, black, gray, and almond colored lids

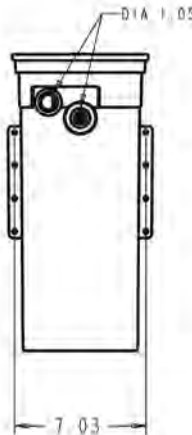
Ordering Information

Product	Description
AUTOMATIC WATER FILLERS	
T40BBE	AutoFill w/ side mounted float valve, almond
T40BBK	AutoFill w/ side mounted float valve, black
T40BG	AutoFill w/ side mounted float valve, gray
T40BDG	AutoFill w/side mounted float valve, dark gray
T40BW	AutoFill w/ side mounted float valve, white
T40FB	AutoFill w/ Fluidmaster® valve, almond
T40FBK	AutoFill w/ Fluidmaster valve, black
T40FG	AutoFill w/ Fluidmaster valve, gray

Product	Description
T40FW	AutoFill w/ Fluidmaster valve, white
T40FDG	AutoFill 2/Fluidmaster valve, dark gray
T40FNB	AutoFill Vanishing Edge w/ Fluidmaster valve, almond
T40FNBK	AutoFill Vanishing Edge w/ Fluidmaster valve, black
T40FNG	AutoFill Vanishing Edge w/ Fluidmaster valve, gray
T40FNDG	AutoFill Vanishing Edge w/ Fluidmaster valve, dark gray
T40FNW	AutoFill Vanishing Edge w/ Fluidmaster valve, white



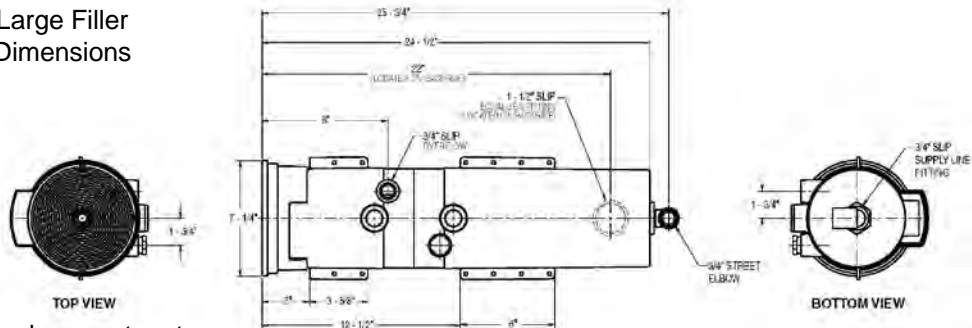
Small Filler Dimensions



Fluidmaster Valve



Large Filler Dimensions



See page 570 for replacement parts.

INLINE THERMOMETERS FOR POOL AND SOLAR APPLICATIONS

CALIFORNIA PROPOSITION 65 WARNING
 ⚠️ **WARNING:** Cancer and Reproductive Harm.
 ⚠️ **AVERTISSEMENT:** Peut Causer le Cancer et des Dommages au Système Reproducteur.
 ⚠️ **ADVERTENCIA:** Cáncer y Daño Reproductivo.
 www.p65warnings.ca.gov. PM 201514



SL-2D



SL-2D

Ordering Information

Product	Description	Carton Qty.
INLINE THERMOMETER WELLS		
SWB	1/2 in. Brass well	1
SWB1	3/4 in. Brass well	1
SWN	Nylon well	1
INLINE THERMOMETER for Solar Applications		
SL2D	50/220°F. w/ 1/2 in. NPT (threaded)	1
SL2DW	50/220°F. w/ 1/2 in. Brass well	1
SL2DW3	50/220°F. w/ 3/4 in. Brass well	1
INLINE THERMOMETERS for Pool Applications		
SL1DW	30/130°F. w/ Nylon well	1



SL-1DW



SL-2DW3

3/4" Sweat



SL-2DW

1/2" Sweat



SWB

SWB1

SWN

FLOWMETERS

FOR COMMERCIAL AND INDUSTRIAL LIQUID APPLICATIONS



Flowmeter

Featured Highlights

- Stainless steel guide and floats
- Easy installation and maintenance; no tools required, tightens by hand
- Textured surface on back of meter for improved readability
- Easy to read GPM and LPM Scales
- Brass threaded knurled nuts for durability

CALIFORNIA PROPOSITION 65 WARNING

⚠ **WARNING:** Cancer and Reproductive Harm.
 ⚠ **AVERTISSEMENT:** Peut Causer le Cancer et des Dommages au Système Reproducteur.
 ⚠ **ADVERTENCIA:** Cáncer y Daño Reproductivo.
www.p65warnings.ca.gov

Ordering Information

Product	GPM	Description	Carton Qty.	Carton Wt. (Lbs.)
SMALL BODY FLOWMETERS				
LDF360B	1/2–5	3/4 in., Brass sweat end	1	1
LDF360N	1/2–5	3/4 in., Nylon threaded end	1	3/4
LDF360T	1/2–5	1 in., Brass threaded end	1	1-1/4
LDF357B	1–10	3/4 in., Brass sweat end	1	1
LDF357N	1–10	3/4 in., Nylon threaded end	1	3/4
LDF357T	1–10	1 in., Brass threaded end	1	1-1/4
LDF359B	2–16	3/4 in., Brass sweat end	1	1
LDF359N	2–16	3/4 in., Nylon threaded end	1	3/4
LDF359T	2–16	1 in., Brass threaded end	1	1-1/4
LARGE BODY FLOWMETERS				
LDF451B	8–75	1 in., Brass sweat end	1	1-1/4
LDF461T	8–75	1-1/2 in., Brass threaded end	1	1-1/2
LDF452B	15–100	1 in., Brass sweat end	1	1-1/4
LDF462T	15–100	1-1/2 in., Brass threaded end	1	1-1/2

PART NUMBER INDEX

Product Catalog 2022

INDEX

BY PRODUCT NUMBERS

P/N	pg no.	P/N	pg no.	P/N	pg no.	P/N	pg no.	P/N	pg no.
011008.....	468	023033-INT	196	070929	469, 471, 472,	071657Z.....	471, 472, 473,	073126	481
011009.....	468	023034	196		473, 474, 475,		474, 475, 477,	073127.....	481
011012.....	468	023035	212		477, 480		480, 496, 497	073128	475, 477, 481
011017.....	468	023055	468	070943	512	071659	417, 419, 425	073129	481
011018.....	468	023056	190, 468	070951	416, 419,	071660Z	471, 472, 473,	073130	481
011028.....	468	05055-0003.....	457		420, 424		474, 475, 477,	073131	471, 472, 473,
011055.....	468	05057-0118.....	457	070971	377		480, 496, 497		474, 481, 496, 497
011056.....	172, 468	05082-0025.....	457	070979.....	377	071681	512, 517	073131A	475
011057.....	174, 468	05082-0050.....	457	070985.....	420, 425	071683	512	073260.....	513
011059.....	178, 468	05086-0025.....	457	070994	420, 424	071687.....	511, 512	073261	513
011060.....	176, 468	05086-0050.....	457	071017	420, 425	071688	512	073262.....	513
011511-INT	182	05086-0100	457	071019Z.....	377	071698	417, 419, 425	073263.....	513
011512-INT	182	070112	471	071037	511, 512	071703	417, 419, 425	073264.....	513
011527-INT	182	070118	474	071046.....	512	071716	417, 419, 425	073265.....	513
011528-INT	182	070119	477	071048	512	071720	377	073266.....	513
011529-INT	182	07017-0079.....	568	071131Z.....	469, 470, 471,	071725S	511, 512	073267.....	513
011530-INT	182	07017-0151.....	286		472, 473, 474, 475,	071732S	471, 472,	073268.....	513
011641.....	182	07017-0158.....	286		477, 478, 480, 487,		473, 474, 475,	073269.....	513
011642.....	182	070209	495		489, 490, 491, 509		477, 480, 496	073270Z.....	377
011643.....	182	070225	512	071136Z.....	377, 480	071734S	471, 472,	073370.....	377
011644.....	182	070226	512	071320S.....	481, 490		473, 474, 475, 477,	073584.....	419, 424
011651.....	220	070227.....	512	071321S.....	481		480, 496, 497, 522	073585.....	419, 424
011656.....	220	070228	512	071361S.....	513	071895	420, 425	073680.....	513
011657.....	220	070230	416, 419, 425	071362S.....	513	072134	420, 425	073725.....	417, 419, 425
011658.....	220	070249	491, 503	071363S.....	513	072138	420, 425	073727.....	423, 425
011659.....	220	070256.....	416, 419, 424	071364S.....	512	072172.....	377, 469, 478,	073728.....	423, 425
011660.....	220	070257.....	416, 424	071365S.....	512		492, 493, 509, 511	073739.....	420, 424
011661.....	220	070258.....	416, 424	071366S.....	512	072173.....	377, 483, 485	073750.....	424
013001.....	468	070274.....	420	071390	377	072180	420, 424	073751.....	424
013002.....	468	070276.....	416, 425	071403	471, 472, 473,	072183	471, 472, 473,	073752.....	419, 424
013004.....	192, 194, 468	070277.....	416, 419, 425		474, 475, 477,		474, 475, 477,	073789.....	417, 419
014700.....	513	070278.....	416, 425		480, 496, 497,		480, 496, 497	073828.....	512
014701.....	513	070387Z.....	471, 472, 473,	071404Z.....	375, 377	072184	416, 419, 469,	073829.....	512
014702.....	513		474, 475, 477,		377, 435,		470, 471, 472, 473,	073830.....	512
014703.....	513		480, 496, 497		437, 439, 471, 472,		474, 475, 477, 478, 480,	073831.....	512
014801.....	513	070416	420, 424		473, 474, 475, 477,		487, 489, 490, 491, 492,	073832.....	512
014802.....	513	070429Z	471, 472, 473,		480, 496, 497		493, 496, 497, 498, 503,	073856.....	416, 425
014803.....	513		474, 475, 477, 480,	071413	469, 470, 478,	072185	512	073857.....	416, 425
014804.....	513		483, 484, 494, 496,		492, 493, 498, 509	072253.....	417, 419	073858.....	416, 419, 425
014884.....	221		497, 505	071422	304, 374, 480	072536.....	550	073862.....	417, 425
015583.....	182	070430	471, 472, 473,	071423	512	072737S.....	513	073863.....	417, 425
022005.....	468		474, 475, 477,	071426	299, 300, 301,	072739S.....	513	073864.....	417, 419, 425
022017.....	180		480, 496, 497		304, 364, 374, 435	072740S	513	073904	425
022018.....	180	070431	471, 472, 473,	071433	512	072742S	513	073905.....	425
022019.....	180		474, 475, 477,	071439	377	072744S	513	073906.....	419, 425
022032-INT	180		480, 496, 497	071445	480	072747.....	512	073989.....	425
022033-INT	180	070517.....	451	071461	423	072795.....	512	073998.....	419, 424
022034.....	180	070544	420, 425	071462	423	072799.....	377	073999.....	419, 424
022035.....	210	070551	417, 419, 425	071466	423	072867.....	377	074015.....	420, 425
022055.....	468	070711	480	071467.....	423	072869.....	377	074074.....	420, 425
022056.....	170, 468	070715	417, 419, 425	071515	417, 419	072870.....	377	074216	424
023005.....	468	070795.....	480	071551	512	072880.....	377	074451	420, 425
023017.....	196	070906.....	512	071559	377	072927Z.....	475, 480	074452	420, 425
023018.....	196	070927.....	471, 472, 473,	071652Z.....	471, 472, 473,	072928.....	471, 472, 473,	074540	417, 419
023019.....	196		474, 475, 477, 480,		474, 475, 477, 480,		474, 480, 496, 497	074564Z	471, 472, 473,
023032-INT	196		491, 496, 497, 503		491, 496, 497, 503	072930.....	475, 477		474, 475, 477
						073027.....	377	074922	377

INDEX

BY PRODUCT NUMBERS

P/N	pg no.	P/N	pg no.	P/N	pg no.	P/N	pg no.	P/N	pg no.
074923.....	377	075505.....	416	08434-0000	286	11215.....	168	140325.....	96
074924.....	377	075506.....	416	08434-0100	286	11220.....	166, 168	140335.....	97
074925.....	377	075507.....	416	08650-0007Z.....	564	11220-A.....	166, 168	140342.....	98
075136.....	481	075508.....	425	08650-0018.....	564	11221.....	166, 168	143461.....	95
075137.....	481	075509.....	425	08650-0022.....	564	11221-A.....	166, 168	143484.....	95
075138.....	481	075510.....	425	08650-0025.....	564	11222.....	168	144126.....	89
075139.....	481	075511.....	417, 419	08650-0025C.....	564	11224.....	168	144272.....	95
075140.....	481	075525.....	416, 424	08650-0042.....	564	11226.....	168	144284.....	95
075141.....	481	075526.....	416, 424	08650-0048Z.....	564	11230.....	166, 168	144296.....	95
075142.....	481	075527.....	416, 424	08650-0058.....	564	11230-A.....	166, 168	145201.....	87
075143.....	481	075559.....	416, 425	08650-0058C.....	564	11231.....	168	145240.....	89
075144.....	481	075560.....	416, 425	08650-0067.....	564	11232.....	168	145241.....	89
075145.....	481	075586.....	416, 425	08650-0069.....	564	11240.....	168	145300.....	87
075173.....	417, 419, 425	075587.....	416, 425	08650-0079.....	564	11241.....	168	145315.....	88
075191.....	419, 424	075588.....	416, 425	08650-0125.....	564	11242.....	168	145320.....	88
075192.....	424	075604.....	416, 424	08650-0158.....	564	11243.....	168	145322.....	88
075193.....	424	075605.....	416	08650-0159.....	564	11250.....	166, 168	145324.....	307
075251.....	481	075606.....	416, 424	08650-0169.....	564	11250-A.....	166, 168	145327.....	307
075252.....	481	075622.....	417, 425	08650-0169C.....	564	11252.....	168	145330.....	307
075253.....	481	075623.....	417, 425	08650-1403.....	280	11253.....	168	145333.....	88
075254.....	481	075624.....	417, 425	08650-1404.....	280	11254.....	168	145334.....	384
075255.....	481	075628.....	420, 425	08650-2403.....	280	11255.....	168	145339.....	306, 384
075256.....	481	075629.....	420, 425	08650-2404.....	280	11256.....	168	145341.....	306, 384
075271Z.....	512	075630.....	420, 425	08650-3403.....	280	11256-B.....	168	145343.....	306, 384
075273Z.....	512	075692.....	417, 419, 425	08650-3403E.....	280	11256-C.....	168	145359.....	92
075275.....	512	075713.....	471, 472, 473,	08650-3404.....	280	11257.....	168	145360.....	92
075279.....	377		474, 475, 477,	08650-3404E.....	280	11258.....	168	145361.....	92
075280.....	512		480, 491, 496,	08650-4403.....	280	11259.....	168	145362.....	92
075283.....	420		497, 503, 512	08650-4404.....	280	11260.....	168	145363.....	92
075284.....	420, 425	075783.....	417, 419, 425	08650-5403.....	280	11261.....	168	145364.....	308, 389
075285.....	420	075784.....	417, 425	08650-5404.....	280	11270.....	168	145365.....	308, 389
075287.....	512	075785.....	417, 425	08650-6403.....	280	11271.....	168	145366.....	308, 389
075452.....	481	075786.....	417, 425	08650-6403E.....	280	11273.....	168	145367.....	88
075453.....	481	075787.....	417, 425	08650-6404.....	280	11274.....	168	145368.....	384
075454.....	481	075788.....	417, 425	08650-6404E.....	280	11275.....	168	145369.....	389
075455.....	481	075842.....	511	08655-0017.....	564	11276.....	168	145370.....	389
075456.....	481	076033.....	377	09655-0010.....	280, 564	11277.....	168	145385.....	89
075457.....	416	076084.....	416	09655-1403.....	280	11278.....	168	145386.....	88
075458.....	416	076085.....	416	09655-1404.....	280	11279.....	168	145387.....	92
075459.....	416, 419	076086.....	416	09655-2403.....	280	11280.....	166, 168	145388.....	87
075461.....	417	08417-0000.....	287	09655-2404.....	280	11280-C.....	168	145389.....	87
075468.....	416, 419, 424	08417-0005.....	569	11200.....	166, 168	11285.....	168	145390.....	87
075488.....	416, 424	08417-0005B.....	569	11200-A.....	166, 168	11287.....	168	146400.....	99
075490.....	416, 424	08417-0005C.....	569	11201.....	166, 168	11289.....	168	146402.....	99
075492.....	420, 425	08417-0100.....	287	11201-0154.....	172, 174,	11301.....	168	146403.....	99
075493.....	416	08417-0200.....	287		182, 194	11302.....	168	146404.....	99
075494.....	416	08428-0000.....	286	11201-A.....	166, 168	11303.....	168	146405.....	99
075495.....	416	08428-0001.....	569	11202.....	168	11305.....	168	146406.....	99
075496.....	416	08428-0001B.....	569	11203.....	168	11306.....	168	146407.....	99
075497.....	416	08428-0014B.....	569	11204.....	168	140210.....	90	146408.....	99
075498.....	416	08428-0100.....	286	11205.....	168	140212.....	87	146409.....	99
075499.....	424	08428-0125.....	569	11206.....	168	140236.....	90	147400.....	99
075500.....	424	08429-0000.....	286	11207.....	168	140243.....	90	147401.....	99
075501.....	424	08429-0014.....	569	11208.....	168	140264.....	90	147402.....	99
075502.....	416	08429-0100.....	286	11211.....	168	140310.....	98	147403.....	99
075503.....	416	08430-0000.....	286	11212.....	168	140315.....	98	147404.....	99
075504.....	416	08430-0050.....	286	11213.....	168	140316.....	98	147405.....	99

INDEX

BY PRODUCT NUMBERS

P/N	pg no.	P/N	pg no.	P/N	pg no.	P/N	pg no.	P/N	pg no.
147406	99	151114	392	154418	388	154711Z	306, 308, 384, 389	155358	385
147407	99	151115	392	154426	387			155371	508
147408	99	151600	392	154435	387	154712Z	306, 307, 308, 363, 384, 389, 395	155372	299, 304
147409	99	151602	388	154436	387			155374	302, 305
14819-0011	553	151604	392	154437	387, 391, 392	154713	307	155380Z	508
14821-0005	553	151608	386, 545	154438	387, 391, 392	154714	388, 392	155403	302, 305
14821-0008	553	152000	383, 389	154441	387, 392	154715	306, 307, 308, 363, 384, 389	155504	307, 383
14823-0011	553	152060	483, 485	154453	388, 391			155532	307, 383
14930-0012	552	152130	385, 545	154462	387	154716	508	155700	96
14930-0014	552	152165	306, 307, 308, 383, 385, 389, 541, 545	154489	387, 391	154763	388	155701	96
14930-0016	552			154492	388, 391	154801	387	155702	96
14930-0033	552			154493	385, 387, 541, 545	154803	387	155703	96
14962-0005	546, 548	152167	307, 545	154494	385, 392	154805	387	155705	96
14962-0011	546, 548	152168	307, 545	154500	387	154807	387, 391	155706	96
14962-0017	546, 548	152202Z	386, 388, 391, 392	154507	391, 392	154856	388, 391, 392	155709	306, 308
14962-0021	548			154508	391, 392	154871	386, 388, 391, 392	155710	306, 308
14962-0035	546, 548	152220Z	386, 388, 391, 392	154510	388	154893	307	155711	306, 308
14971-0005	549	152226	383, 389	154512	386, 388, 545	154894	307	155720	96
14971-0006	549	152227	306, 308, 383, 389	154520	384, 388, 389	154895	307	155721	96
14971-0009	549			154521	385, 545	154906	387	155722	96
14971-SM10E1	547, 548	152228	306, 308, 383, 389	154527	391, 392, 483, 523	154926	384, 386, 388, 389	155723	96
14971-SM10E10	547, 548			154533	387			155726	308
14971-SM10E11	547	152229	306, 308, 383, 389	154538	388, 391	155002	385	155727	308
14971-SM10E12	547			154540Z	388, 391, 392	155005	22, 299, 302, 304, 306, 307, 308, 374, 389	155728	308
14971-SM10E14	547, 548	152237	385	154559	387			155730	96
14971-SM10E16	547, 548	152238	383, 389	154566	101, 542, 551	155007	307, 384, 386	155738	388
14971-SM10E17	547, 548	152290Z	384, 386, 388	154575	391, 392	155051	386	155753	388
14971-SM10E2	547, 548	152501	545	154576	392	155060	385	155765	302, 303, 305
14971-SM10E3	547, 548	152509Z	391, 392, 483, 523	154578	387, 391, 392	155061	385	155767	308
14971-SM10E4	547, 548	152516	385, 387	154579	392	155062	307, 383, 385	155800	96
14971-SM10E6	547	152519Z	387	154581	392	155063	385	156100	96
14971-SM10E8	547, 548	152520Z	385, 545	154582	392	155064	385	156150	96
14971-SM10E9	547, 548	152901	307	154596	386, 388, 391, 392	155109	300, 307	156224	388
14971-SM20E11	547, 548	153430	391	154598	387	155151	22, 299, 302, 303, 304, 305, 306, 307, 308, 374, 389	156344	391
14971-SM20E12	547, 548	153431	391	154599	387, 391, 392			156354	391
14971-SM20E50	548	153455	385	154611	388	155167	307	156355	391
14971-SM20E6	547, 548	154001	392	154612	388	155187	441, 508	156400	95
14971-SM20E7	547, 548	154002	392	154613	388	155193	508	156450	95
150035	387, 391, 392	154003	392	154614	388	155225	385, 545	156800	95
150036	387, 391	154004	392	154636	387	155234	22, 507, 508	156814	387
150039	387	154005	392	154638	387	155269	385	156816	387
150040	387	154007	392	154639	387	155276	385	156841	392
150041	387, 391	154008	392	154640	387	155284	387	156842	392
150042	387, 391	154009	392	154641	388	155299	385	159029	98
150046	22, 307	154010	392	154661	387	155323	385	159030	98
150055	307, 384, 389	154016	392	154664	387	155324	385	159031	98
150084	306, 307, 308, 384, 389	154018	392	154687	388	155331CP	302, 305	159032	98
150085	306, 307, 308, 384, 386, 388, 389	154402	386, 388	154689Z	371, 380, 382, 387, 390	155333CP	299, 302, 305, 306, 308	160301	65
150088	384, 386, 388	154405	388, 391	154697	388			160310	65
150096	392	154407	386, 388	154698	386, 388	155333P	299, 302, 304, 305, 306, 308	160314	66
150119	384, 386, 389	154408	388, 391	154699	523			160315	66
15060-0000T	302, 305, 321, 323, 325, 331, 372, 378, 379, 548	154412	388, 391, 392, 569	154700	387	155340	385	160316	66
151092	388, 392	154416	388, 391			155342	385	160317	66
								160318	66
								160332	65
								160340	65
								160350	74

INDEX

BY PRODUCT NUMBERS

P/N	pg no.	P/N	pg no.	P/N	pg no.	P/N	pg no.	P/N	pg no.
160351	74	170145	71, 295, 371	178757	304, 374	192115Z	307, 386,	23910-0101S	382
160352	74	170146	71, 295, 371	179133	65, 295, 362		388, 469, 470, 471,	23910-1100S	84, 382
160353	67	170147	71, 295, 371	179134	65, 295, 362		472, 473, 474, 475,	23911-0100	380
160354	67	170148	71, 295, 371	179135	65, 295, 362		477, 478, 480, 483,	23911-0101	380
160355	67	17303-0001	525	179136	65, 295, 362		485, 487, 489, 490,	23911-0102	380
16401-0010	518	17303-0113	525	180006	75		491, 492, 493, 496,	24206-0103S	372, 379
16401-0030	518, 519	17307-0110S	494, 495,	180007	75		497, 498, 503, 505,	24700-0029	390
16401-0102	518		501, 502	180008	75		507, 509, 511, 523	24750-0624	257
16401-0210	518	17307-0111S	494, 495,	180009	75	192320	362, 375	24752-0050	371,
16401-2015	518		501, 502, 506	180010	102	192323	563		380, 382
16401-2215	518	17350-0008	235	181010	102	194801	362, 376	24800-0100	381
16830-0100	516	17351-0009	495, 501,	181011	102	194997	376	24800-0120	305, 378,
16830-0120	516		506, 525, 526	18201-0200	82, 93, 257	195339	362, 375, 376		379, 381, 382
16830-0209	516	17351-0101S	469, 470,	18201-0200H	257	195610	362, 375, 376	24800-0121	302, 372
16830-0210	516		478, 487, 489,	18201-0300	80, 84, 257	195611	376	24801-0101	381
16830-0211	516		492, 493, 494, 498,	18202-0150	82, 93, 257	195612	376	24850-0008	371, 380,
16830-0212	516		501, 502, 506, 509,	18202-0150H	257	195829	563		382, 390
16830-0320	516		524, 525	18202-0250	80, 257	195830	286	24850-0009	371,
16830-0400	516	17351-0102S	526	185208	101	195999	376		380, 390
16830-0401	518	17351-101S	495	188592	77	196019	375	24850-0010	371, 380,
16830-2102	516	174882	483, 485	188593	77	196024S	376		382, 390
16830-2103	516	175015	300	188594	77	196060	304, 374	24850-0016	371,
16830-2201	516	175025	483, 485, 523	188614	76	196090	374		380, 390
16830-2202	516	178541	300	188615	76	197020	377	24850-0102S	371,
16830-2203	516	178546Z	363	190003	362, 375, 376	197120	377		380, 382
16831-0320	516	178548Z	363	190006	377	198080	75, 295, 375	24850-0104S	390
16832-0320	516	178550	362	190026	377	198081	75, 295, 375	24850-0105	371,
16833-0320	516	178553	299, 300, 364	190030Z	362, 363,	198082	295, 375		380, 390
16920-0011	527	178554	300, 364		373, 375, 376	198083	295, 375	24850-0200	371, 380,
16920-0012	527	178560	300, 364	190034	375	200013	249		382, 390
16920-0017	527	178561	299, 300,	190035	375	200014	249	24851-0103S	371, 380
170015	375		304, 364, 374	190036	375	200017	249	24851-0105S	390
170016	375	178562	299, 300,	190037	375	200060	160	24851-9000	371, 380,
170017	375		304, 364, 374	190039	362	200063	157		382, 390
170018	375	178563	299, 300,	190043	375	200064	160	24851-9001	371,
170019	375		304, 364, 374	190058Z	299, 300, 304,	200065	160		380, 390
170020	375	178575	376		362, 363, 364,	200066	160	24900-0002	390
170021	375	178578	362		373, 374, 375,	200086	464	24900-0100S	390
170022	375	178581	362, 376		377, 392, 395	200186	154	24900-0500	390
170023	362	178582	362, 376	190059Z	306, 308,	210396Z	533, 534	24900-0501	390
170024	362, 376	178583	362, 376		384, 385, 387,	2313	558, 560	24900-0503	371, 380,
170026	362, 376	178616	304, 362,		389, 391, 392,	23900-0032	381		382, 390
170027	362		374, 376		540, 541	23900-0033	381	24900-0504	371, 380,
170028	362, 376	178626	304, 374			23900-0039	381		382, 390
170029	362, 376	178627	304, 374	190092	375	23900-0144	381	24900-0505	390
170030	362	178654	376	190106Z	304, 362,	23900-0350	381	24900-0509	371, 378,
170035	362	178655	376		374, 376	23900-1170	381		380, 382
170036	376	178656	304, 374, 376	190141	375	23900-1171	381	24900-0510	302, 305,
170037	300	178708	362	191474	362, 363,	23900-1172	381		372, 378
170040	362	178711	376		373, 375,	23900-1173	381	24901-0003	390
170046	300	178731Z	363, 395		376, 563	23900-1174	381	24901-0100S	390
170058	300	178732Z	363, 373, 395	191479	543, 545	23900-1175	381	25010-0200	302, 305,
170059	376	178733Z	363, 373, 395	192019	101, 362, 375	23900-1220S	380		372, 378, 379
170095	299	178741	286	192039Z	538, 539,	23900-1221S	380	25021-0003	371
170096	363	178743Z	373		546, 550	23901-0350	381	25021-0021	71, 371
170097	373	178745Z	373	192106	567	23910-0013S	382	25021-0025	71
170099	395	178746Z	363, 373, 395			23910-0100S	382	25021-0100	371

INDEX

BY PRODUCT NUMBERS

P/N	pg no.	P/N	pg no.	P/N	pg no.	P/N	pg no.	P/N	pg no.
25021-0101	371	263053	80, 82,	27002-0300S	73, 372	271169	545	274417Z	546
25021-0200S	71, 371		84, 93, 257	270021	538	271193	541, 542	274421Z	546
25021-0202S	71, 371	263054	551	270028	538	272035	545	274426	77, 362, 376,
25021-0223S	71, 371	263055	551	270030	538	272120	542		388, 391, 542
25021-0224S	71, 371	263056	253	270032	538	272400	541, 542	274426Z	101, 546
25021-1021	82, 380	263057	253	270038	538	272402	542	274440	416, 419, 550
25021-1025	82, 380	263059	253	270056	538	272403	542	274494	386, 388,
25021-2021	93, 390	263060	253	270067	545	272405	541, 542		391, 392, 542,
25021-2025	93, 390	263064	75, 77,	270068	545	272409	542		545, 546, 550
25022-0201S	71, 371		90, 97, 254	270075	538	272412	542	274495	391
25022-0203S	71, 371	263068	253	270077	355	272413Z	542	274556	545
25022-0224S	71, 371	263077	253	270078	355	272422	542	274651	545
25022-0225S	71, 371	263078	257	270094	538	272433	542	274725	101
25023-0160S	84, 382	263079	75, 77,	270100	75, 77,	272505	541	275300	550
25023-0172S	84, 382		90, 97, 254		362, 375	272511	541	275333	385, 545
261049	75, 77,	263080	77, 90,	270106Z	539	272512	541	278006	550
	90, 97, 255		97, 98, 254	270107Z	539	272520	541, 542	278019	550
261050	77, 90,	263081	75, 254	270115Z	539	272528	543	278020	550
	97, 98, 254	263085	256, 383	270116Z	539	272530	541	278021	550
261055	77, 90,	270004	362	270118Z	539	272531	307, 541	278022	550
	97, 98, 254	270006	550	270119Z	253, 539	272535	541	300005	86
261058	570	27001-0009S	302, 305,	270134	551	272541	306, 308,	30747-0152	516
261067Z	546		372, 378	270141	487, 489, 490,		383, 385, 389,	30767-0011	518
261124	256, 385	27001-0011	305, 378		491, 503, 505, 551		540, 541, 545	310010Z	395
261142	75, 254	27001-0015S	379	270187Z	546	272546	392	32155-4133	547
261152	75, 254	27001-0016S	379	270190Z	546	272550	541, 545	32155-4136	547
261173	77, 90,	27001-0018S	379	270197Z	546	272554	541	32155-4171	547
	97, 254	27001-0020S	302, 305,	270199Z	546	272555	541	32850-0099	399, 400,
261177	75, 254		372, 378, 379	270200Z	546	272556Z	540		409, 414, 428
261185	256, 385	27001-0022	302, 305,	270210Z	540	272557Z	540	33103-0006	457
262504	256		371, 372, 378,	270514Z	546	272558Z	540	33450-8041	516, 518
262505	256		379, 380, 382, 390	271065	550	272567Z	540	33450-8042	516
262506	256, 306,	27001-0030S	372, 379	271072Z	539	272568Z	540	33455-1047	498,
	307, 308, 383,	27001-0031	303	271073Z	539	272569	384, 386, 389		506, 525
	385, 389	27001-0051	302, 305,	271074Z	539	272573Z	540	33455-1050	372, 378
262507	254		372, 378, 379	271077Z	539	272576Z	540	33455-8043	516
262508	82, 93, 254	27001-0054S	302, 305,	271092	101, 388, 391	272590Z	540	33455-8044	516
262509	80, 254		372, 378, 379	271094	101, 388, 391	272599	386, 541	33455-8045	516
262511	254	27001-0060S	372, 378	271096	75, 101, 362,	273062	508, 550, 551	33455-8046	516
262525	256, 383,	27001-0061S	302, 305,		375, 388, 391	273063	551	33600-0023T	371, 380,
	385, 389		372, 378, 379	271103	545	273064	551		382, 390
263010	98	27001-0120	303	271104	543, 545	273071	391, 392, 551	340013	217, 511
263026	252	27001-0130S	73, 79,	271106	541, 545	273077	551	340014	217, 219, 510
263027	252		302, 305,	271140	545	273089	551	340016	217, 219, 510
263028	252		372, 378	271141	545	273090	551	340017	217, 219, 510
263029	252	27002-0030S	79,	271148Z	543, 545	273106	551	340018	217, 219, 510
263035	252		305, 378	271151	545	273207	545	340019	216, 219, 510
263036	252	27002-0036S	79, 81,	271156	543, 545	273208	545	340020	216, 219, 510
263037	252		378, 379	271157	545	273211	545	340021	216, 219, 510
263038	252	27002-0048S	81, 379	271158	545	273241Z	551	340022	216, 219, 510
263042	252	27002-0100S	73, 302,	271160	545	273512	391, 392, 541	340023	216, 219, 510
263042Z	252, 538		372	271161	545	273513	391, 392	340024	216, 219, 510
263043	58, 355	27002-0125S	73, 372	271163	545	273564Z	391, 392	340026	217, 219, 510
263044	58, 355	27002-0150S	73,	271164	545	274402Z	540	340027	217, 219, 510
263045	46, 49, 51,		302, 372	271165	545	274404	545	340028	217, 219, 510
	53, 54, 58, 355	27002-0175S	73, 372	271166	545	274407	542, 545	340029	217, 219, 510
263047	252	27002-0200S	73, 372	271168	545	274416Z	546	340030	216, 219, 510

INDEX

BY PRODUCT NUMBERS

P/N	pg no.	P/N	pg no.	P/N	pg no.	P/N	pg no.	P/N	pg no.
340031	216, 219, 510	34302-0518	552	348201SR	208	350202	471, 472, 473, 474, 475, 477, 480, 481	353129Z	38, 489
340032	216, 219, 510	345076	199	348202	206			353132S	489
340033	216, 219, 510	345077	199	348202SR	208			353133S	489
340034	216, 219, 510	345078	199	350013Z	471, 472, 473, 474, 475, 477, 480, 481	350203	481, 496, 497	353134S	489
340035	216, 219, 510	345079	199			350250Z	174, 194	353135S	489
340045	219, 510	345211	483			350305S	469, 472, 473, 475	353141Z	494
340046	219, 510	347910	497					353250	497
340047	219, 510	347916	220	350015	471, 472, 473, 474, 475, 477, 480	350306S	492	353252	493, 495
340048	219, 510	347917	220					353310	493, 495
340049	219, 510	347926-INT	182			350310	497	353316S	479
340056	206	347927-INT	182	350017	507	350336	469	353317S	479
340056SR	208	347928-INT	182	350018	507			353318S	499
340057	206	347929-INT	182	350024	508			353319S	482,
340057SR	208	347930-INT	182	350035	511	350444	508		484, 499
340058	206	347935	221	350037	511	350481	508	353323	469, 470,
340058SR	208	347938	220	350060	511	350601	470, 471, 474, 477		478, 492, 493,
340080	219, 510	347940	220	350063	511				498, 509
340081	219, 510	347941	220	350073	511	350612	470, 471, 474, 477, 493, 495, 497	35402-0074Z	381
340082	219, 510	347942	220	350082	471, 474, 477			35404-0319	518
340083	219	347943	220	350083	510	350621	470, 471, 474, 477	354044	472
340084	219, 510	347944	220	350087	511			354045	494
340085	219, 510	347945	220	350088S	481	350701	493, 495, 497	354053	541
340086	219, 510	347948	220	350089	487, 489, 490, 491	350721	471	35407-0071	549
340088	206	347950	222			351021	474	354103	508
340089	206	347961	222	350090	487, 489, 490, 491	351089	487, 489, 503, 505	354112	483, 485
340090	206	347963	220					354113	508
340094-INT	188	347964	220	350091	487, 489, 490, 491, 503, 505	351090	487, 489, 503, 505	354265	307, 483,
340095-INT	188	347967	221						485, 523
340096-INT	188	348001	220	350093	487, 489, 490, 491, 503, 505	351094	487, 489, 503, 505	354290	487, 489
340097-INT	188	348021-INT	188					354530	508
340098-INT	188	348022-INT	188	350094	487, 489, 490, 491	351137S	511	354531	508
340148	216, 219, 510	348144-INT	188			351157	188, 204, 487, 489, 490, 491, 503, 505	354533	508
340149	216, 219, 510	348145-INT	188	350101	480, 497			354541	508, 541
340150	216, 219	348146-INT	188	350103	507	351446	469, 470, 478, 492, 493, 498, 509	354542	508
340151	216, 219	348147-INT	204	350105S	470, 471, 474, 477	35202-0959	371, 380, 382, 390	354545S	482, 484,
340155	217, 219, 510	348148-INT	204						489, 490, 505,
340156	217, 219, 510	348149-INT	204	350107	470, 471, 474, 477, 493, 495, 497				507, 508, 523
340157	217, 219	348150-INT	198			352032Z	492	354545SS	491, 503
340159	217, 219	348151-INT	198	350108	471, 474, 477, 497			354548	508
340237	216, 219, 510	348152-INT	198			352245	508	354552	507, 508
340238	216, 219, 510	348153-INT	198	350122	38, 170, 172, 174, 176, 178, 190, 192, 194, 469, 470, 471, 472, 473, 474, 475, 477, 492, 493, 494, 496, 497	352256	508	354570	101
340300	184	348185	198			352401	469, 470, 471, 472, 473, 474, 475, 477	354571	299, 300,
340301	184	348190	188						302, 304, 305,
340302	184	348191	204			352501	492, 493, 494, 495, 496, 497	354588	306, 308, 376, 508
340350	184	348195	206					354621	508
340351	184	348195SR	208			353002	508	354629	482
340352	184	348196	206			353010	487, 489	354630	508
340604	216, 219, 510	348196SR	208			353020	233, 331, 520, 522	354632	508
340605	216, 219, 510	348197	206	350142	471, 474, 477, 497			354633	508
340606	216, 219, 510	348197SR	208			353040	232, 521	354634	508
340607	216, 219, 510	348198	206	350166	511	353094	232	354803S	480, 490
340608	216, 219, 510	348198SR	208	350170	490, 505	353110	487, 489	354804S	482, 505
340609	216, 219, 510	348199	206	350171	511	353123	487, 489	354805S	481
340610	216, 219, 510	348199SR	208	350198	496, 497	353124	489	354806S	484
340611	216, 219, 510	348200	206	350199	471, 472, 473, 474, 475, 477, 481	353127	487, 489	354807S	481
342002	186	348200SR	208			353128	489	354808S	484
343001	202	348201	206	350201	477				

INDEX

BY PRODUCT NUMBERS

P/N	pg no.	P/N	pg no.	P/N	pg no.	P/N	pg no.	P/N	pg no.
354809S	479, 481	35505-1243	548	355317	484, 523	355680	485	356657Z	494
354810S	484, 499	35505-1246	552	355318Z	483, 485, 523	355681	485	356710	511
354811S	479, 481	35505-1272	546, 548	355320	484, 523	355682	485	356725	511
354812S	484, 499	35505-1273	564	355329Z	483, 485, 523	355685	469, 472, 473, 475, 492, 494, 496	356750	511
354813S	479	35505-1313	406, 429, 553	355330	385, 483, 485, 523, 562	355901	483, 523	356755	511
354814S	484, 499	35505-1318	552	355331Z	483, 484,	355902	483, 523	356776	511
354815S	479, 480, 490	35505-1401	553		487, 489, 523	355914	483, 523	356780	511
354816S	482, 484, 499, 505	35505-1412	549	355334Z	483, 484, 487, 489, 490,	355930	511	356788	511
354817S	479, 480	35505-1423	371, 380, 382, 390		505, 523	355931	511	356789	511
354818S	484, 499	35505-1424	371, 372, 380, 382, 390	355335	483, 485, 523	355932	511	356790	511
354819S	479	35505-1425	371, 380, 382, 390	355369	484	355933	511	356795	511
354820S	499	35505-1426	501	355375S	482, 484	355949	489	356797	511
354821S	480, 490	35505-1428	371	355376S	482, 484, 505	355949Z	487	356878Z	469, 472, 475
354822S	482, 484, 505	35505-1429	371	355377S	482, 484, 505	355984	483	356879Z	469, 470, 472, 474, 475, 477
354823S	480, 490	35505-1440	470, 478, 492, 493, 494, 495,	355378S	482, 484	355986	483	356880Z	472
354824S	482, 484, 505	35505-1440	470, 478, 492, 493, 494, 495,	355384	484	355987	483	356892Z	492, 494
354825	511	35505-1440	470, 478, 492, 493, 494, 495,	355385	483, 484, 523	356012	489, 490, 491	356893Z	492, 494
354881	508	35505-1440	470, 478, 492, 493, 494, 495,	355389	483, 484, 487, 489, 490,	356071Z	487, 489	356896Z	469
354882	508	35505-1440	470, 478, 492, 493, 494, 495,	355389	483, 484, 487, 489, 490,	356072Z	487, 489	356898Z	492
355001S	481	35505-1440	470, 478, 492, 493, 494, 495,	355441	483, 485, 523	356073	469, 478, 492, 493, 498, 509	356904Z	170, 172, 176, 178, 469, 472, 473, 475
355002S	481	35505-410001	469	355468	483, 484	356196	192, 194, 199, 235, 296, 494, 495, 496, 501	356905Z	190, 192, 194, 492, 494, 496
355003S	490	35505-7438	382	355469	483, 484	356197	186, 188, 202, 204, 235, 296	356910Z	473
355004	482, 484, 523	355067	482, 490, 505	355495	482, 523	356198	172, 174, 176, 178, 182, 235, 296, 471, 472, 473, 474, 475, 477, 481, 496	356911Z	473
355008S	480, 490	355068	482, 523	355520	483	356198	172, 174, 176, 178, 182, 235, 296, 471, 472, 473, 474, 475, 477, 481, 496	356912Z	496
355009S	482, 484, 505	355069	482, 523	355544	484, 523	356199	235, 296, 483, 485, 490	356913Z	496
355010S	480, 490	355074	482, 489, 490, 505	355545	484, 523	356210S	482, 484, 490, 505	356922Z	472
355011S	482, 484, 505	355077	482	355604	484	356213Z	491, 503	356944Z	472
355012S	480, 490	355078	482	355612	489, 503, 505	356237	472, 473, 496	356950	296
355013S	482, 484, 505	355086	482, 490, 505	355617	490, 505	356238	472, 496	356952	296
355014S	479, 480	355093	482, 490, 505	355618	489, 490, 505	356279	487	356954	296
355015S	482, 484, 499, 505	355094	482	355619	491, 503	356280	487	356956	296
355016S	479, 481	355095	482	355619Z	385, 487, 489, 490, 505	356282	487	356958	296
355017S	482, 484, 499	355122	508	355621	487, 489, 490, 491,	356283	487	356960	296
355018S	481, 490	355140	523	355621	487, 489, 490, 491,	356286S	487	356962	296
355019S	482, 484, 505	355141	523	355637	483	356287S	487	356971Z	472
355020S	481, 490	355142	523	355638	483	356288S	487	357098Z	494, 495, 501, 502, 506, 524, 525
355021S	482, 484, 505	355147	484	355639	483	356289S	487	357099	502
355022S	481, 490	355148	484	355640	483	356290S	487	357099Z	494, 495, 501
355023S	482, 484, 505	355187	484	355641	483	356324Z	186, 202, 210, 212, 487, 509	357100Z	471, 472, 473, 474, 475, 477, 480, 496, 497
355024S	481, 490	355188	484	355642	483	356356Z	491, 503	357102Z	471, 474, 480
355025S	482, 484, 505	355218S	523	355667	487, 489, 490, 491,	356357Z	491, 503	357149	471, 474, 477, 480
355026S	479, 481, 490	355221	523	355669	485	356358Z	491, 503	357150	480, 496, 497
355027S	482, 484, 499, 505	355222S	523	355670	485	356359Z	502	357151	471, 472, 473, 474, 475, 477, 480, 496, 497
355028	482	355227Z	471, 472, 473, 474, 475, 477, 480, 496, 497	355671	485	356362S	502, 503	357156	172, 176, 178, 182, 471, 474, 477, 480, 497
355029	482	355232S	482, 484, 505	355672	485	356363S	480, 491	357157	480, 496, 497
355030	491, 503	355270	484	355674	485	356546	508		
355030Z	483, 489, 490, 505	355300	483, 485, 523	355675	485	356630S	481, 490		
355033S	479, 481	355301	483, 485, 523	355676	485				
355034S	482, 484, 499	355302	485, 523	355677	485				
355043	482, 490, 505	355305	483, 484, 523	355679	485				
35505-0421	518	355309	483, 485						
35505-1116	552, 553	355315	484						
35505-1228	546, 548								

INDEX

BY PRODUCT NUMBERS

P/N	pg no.	P/N	pg no.	P/N	pg no.	P/N	pg no.	P/N	pg no.
357158.....	496, 497	357841Z.....	502	360046.....	32	360249.....	317, 319	360323.....	26
357159.....	480, 496, 497	357843.....	520	360049.....	32	360250.....	317, 319	360326.....	333, 335
357160.....	470, 480,	357910.....	513	360100.....	22, 33	360251.....	317, 319	360327.....	333, 335
	492, 493, 496, 497	357923Z.....	478, 481,	360123.....	314, 315	360252.....	317, 319	360330.....	29
357161Z.....	307, 386,		487, 489, 490	360124.....	314, 315	360253.....	317, 319	360337.....	313
	388, 480, 483, 485,	357924Z.....	483, 485, 487,	360125.....	315	360255.....	317, 319	360339.....	312, 313
	487, 489, 492, 493,		489, 498,	360126.....	314	360256.....	317	360340.....	310, 311, 312, 313
	496, 497, 498, 503,		501, 505	360127.....	321	360257.....	317	360341.....	313
	505, 507, 509, 511, 523	357930.....	513	360128.....	321	360258.....	317, 319	360342.....	310, 311, 312, 313
357184.....	511	357935.....	513	360131.....	314, 315	360260.....	317, 319	360343.....	313
357199.....	471, 472, 473,	358085.....	509	360132.....	315	360261.....	317	360344.....	312, 313
	474, 475, 477, 480	358086.....	509	360133.....	314, 315	360262.....	317	360345.....	312, 313
357204S.....	512	358089.....	509	360134.....	315	360263.....	317	360346.....	312, 313
357205S.....	512	358090.....	509	360135.....	314, 315	360264.....	317	360347.....	312
357206S.....	512	358091.....	509	360136.....	314, 315	360265.....	317	360348.....	312, 313
357207S.....	512	358092.....	509	360137.....	314, 315	360266.....	317, 319	360349.....	312, 313
357208S.....	512	358093.....	509	360138.....	315	360268.....	317, 319	360350.....	312, 313
357209S.....	513	358094.....	509	360139.....	314, 315	360269.....	317	360351.....	312, 313
357210S.....	513	358095.....	509	360140.....	314, 315	360270.....	317, 319	360352.....	312, 313
357211S.....	513	358096.....	509	360141.....	314, 315	360274.....	317	360354.....	312, 313
357212.....	217	35817-0056.....	552, 553	360142.....	314, 315	360283.....	333	360355.....	312, 313
357213.....	507	358527Z.....	492, 494, 496	360143.....	314, 315	360284.....	332, 333	360356.....	312, 313
357215.....	507	35857-0021.....	546, 548	360144.....	314, 315	360285.....	333, 335	360358.....	313
357227.....	507	35857-0031.....	518	360145.....	314	360286.....	333	360359.....	312, 313
357228.....	507	359507.....	483, 485	360146.....	314	360287.....	333, 335	360362.....	311
357238S.....	513	359526S.....	479	360147.....	314	360288.....	333, 335	360363.....	310, 311
357239.....	507	359527S.....	499	360148.....	315	360289.....	332, 333,	360364.....	310, 311
357243.....	471, 472, 473,	360002.....	321, 323,	360149.....	314		334, 335	360365.....	310, 311
	474, 475, 477, 481		325, 327, 329	360150.....	315	360290.....	332, 333,	360366.....	310, 311
357244.....	481, 496, 497	360003.....	323, 326	360151.....	31		334, 335	360367.....	310, 311
357245S.....	513	360004.....	323, 326	360152.....	336	360291.....	333, 335	360370.....	310, 311
357246S.....	513	360005.....	323, 327	360153.....	336	360292.....	332, 333,	360371.....	310, 311
357247S.....	513	360006.....	323, 327	360154.....	336		334, 335	360372.....	310, 311
357249S.....	513	360007.....	323, 325, 327	360157.....	314	360293.....	332, 333,	360373.....	310, 311
357250.....	513	360009.....	321, 323,	360158.....	314		334, 335	360374.....	311
357251.....	513		325, 327	360165.....	310	360294.....	332, 333,	360375.....	310, 311
357254.....	507	360010.....	323	360227.....	337		334, 335	360376.....	311
357255.....	491, 503	360011.....	323, 326	360228.....	28	360295.....	332, 333,	360377.....	310, 311
357255Z.....	487, 489,	360012.....	323, 327	360229.....	317		334, 335	360378.....	310, 311
	490, 505, 507	360013.....	323, 327	360230.....	317	360296.....	332, 333,	360379.....	310, 311
357259.....	230	360014.....	323, 327	360231.....	317		334, 335	360380.....	310, 311
357260.....	222, 230	360016.....	326	360233.....	317	360297.....	332, 333,	360381.....	310, 311, 313
357261.....	230	360017.....	326	360234.....	317		334, 335	360382.....	310, 311
357262.....	217, 222,	360018.....	327	360235.....	317, 319	360298.....	333, 335	360383.....	310, 311
	224, 226, 230	360019.....	327	360236.....	317, 319	360299.....	332, 333,	360384.....	310, 311
357263.....	217, 222,	360020.....	327	360237.....	317, 319		334, 335	360385.....	310, 311
	224, 226, 230	360021.....	327	360238.....	317	360300.....	332, 333	360388.....	310, 311, 312, 313
357294S.....	493, 495, 497	360022.....	327	360239.....	317	360304.....	335	360391.....	317, 319
357391.....	483, 485	360023.....	327	360240.....	317, 319	360305.....	334, 335	360392.....	317, 319
357521Z.....	469	360024.....	327	360241.....	317, 319	360306.....	335	360394.....	337
357527Z.....	469, 472,	360025.....	327	360242.....	317, 319	360308.....	335, 342	360400.....	310, 311, 312
	473, 475	360027.....	321	360243.....	317, 319	360309.....	334, 335	360414.....	317, 319
357603.....	471, 472,	360028.....	321	360244.....	317, 319	360317.....	334, 335	360415.....	319
	473, 474, 475,	360039.....	310, 311,	360245.....	317, 319	360318.....	317, 319	360416.....	319
	477, 496, 497		312, 313	360246.....	317	360320.....	317, 319	360417.....	319
357809.....	491	360040.....	32	360247.....	317	360321.....	22, 27	360418.....	319
357810.....	502, 503	360042.....	32	360248.....	317	360322.....	26	360419.....	319

INDEX

BY PRODUCT NUMBERS

P/N	pg no.	P/N	pg no.	P/N	pg no.	P/N	pg no.	P/N	pg no.
360420	319	360517	295, 332	370499Z	339	400012	170, 180,	401655Z	492
360421	319	360518	310, 311, 312, 313	370500Z	339		190, 196, 210,	410001	470, 478, 492,
360422	319	360519Z	520	370521	339		212, 470, 478,		493, 498, 509
360423	319	360520	27	370524	339		493, 498, 509	410002	469, 470, 478,
360424	319	360521	313	370533	339	400013Z	478, 481, 490		492, 493, 498, 509
360425	319	360522	312	370536Z	339	400015Z	469, 470,	410016Z	469, 470, 478,
360426	319	360523	312	37062-0130	553		479, 492,		492, 493, 498,
360428	319	360524	312	37107-0085	552		493, 499		509, 530
360429	319	360526	232	371208	460	400020Z	479, 499	410020	469, 470,
360430	319	360527	312	371252	460	400023Z	479, 499, 509		478, 492, 493,
360431	319	360528	312	371253	460	400030Z	478, 498, 509		498, 509, 530
360434	317, 319	360534	295, 335	371254	460	400031Z	469, 470, 478	411000	469, 470,
360436	319	360535	295, 334	371255	460	400032Z	492, 493, 498		478, 492, 493,
360437	317, 319	370006	570	371508Z	344	400100	470, 471, 472,		498, 509, 530
360445	310	370017	321, 323, 325,	371514Z	344		473, 474, 475	41100-0026	345
360446	310		327, 329, 331	371526Z	344	400605Z	470	41100-0027	344, 345
360447	310	370024	331	37207-0027	564	400607Z	479	411101Z	546
360450	33	370025	331	37207-0430	569	400608Z	479	41200-0130	337
360451	342	370058	331	37207-0728	382	400609Z	479	41200-0131	336
360452	342	370059	331	37207-0825	564	400610Z	479	41200-0133	337
360453	332, 334, 342	370060	331	37337-6080	495	400611Z	479	41200-0134	337
360454	342	370073	331	37337-0079	457	400612Z	479	41200-0200	336, 342
360455	342	370112	331	37337-6080	469, 470,	400613Z	479	41200-0209	338
360458	342	370161	331		478, 492, 493, 494,	400617Z	479	41200-0210	336
360460	342	370163	331		498, 506, 509, 525	400618Z	479	41200-0211	332, 333,
360462	342	370165	331	37416-0004	564	400619Z	479		334, 336
360463	342	370168	331	37416-0005	564	400632Z	479	41200-0212	332, 333,
360465	342	370169	331	37447-0001L	516	400633Z	479		334, 335,
360466	342	370170	331	37447-0002L	516	400634Z	479		337, 340, 341
360467	342	370171	331	38000-0007S	406, 429	400655Z	469	41200-0213	333, 334,
360468	342	370173	331	38404-4097S	400, 408,	401000	492, 493,		335, 337, 338, 341
360473	28	370174	331		412, 427, 431		498, 509	41200-0214	340,
360476	149	370176	331	38405-4089	553	401002	492, 493,		341, 343
360477	332	370177	331	38917-0203	516		498, 509	41201-0213	338
360478	334	370178	331	38917-0204	516	401004Z	492, 493,	41201-0236	332, 333,
360480	332	370179	331	39010200Z	362,		498, 509		334, 335, 340,
360481	334	370180	331		375, 376	401006	492, 493,		341, 342
360482	332, 334	370184	331	39104500	299, 300,		498, 509	41201-0242W	338
360483	332, 334	370185	331		304, 364, 374	401014Z	483, 485,	412-0213	332
360485	332, 334	370186	331	39107400	300		498, 505	41412700	508
360487	332, 334	370187	331	39300600Z	543	401100	493, 495,	42001-0001S	427
360488	332	370189	331	400000	469, 470,		496, 497	42001-0008S	428
360489	334	370198	323, 325,		478, 509	401101	497	42001-0030S	409,
360490	332, 334		326, 329, 331	400002	469, 470,	401605Z	493		414, 428
360491	332, 334	370239	233, 331, 522		478, 509	401607Z	499	42001-0051S	408,
360492	332, 334	370258Z	323, 327	400004Z	469, 470,	401608Z	499		412, 427
360496	313	370405Z	321		478, 509	401609Z	499	42001-0053S	399, 400,
360498	313	370406Z	321	400006	469, 470,	401610Z	499		409, 414, 428
360499	311	370478Z	339		478, 509	401611Z	499	42001-0056S	400, 409,
360500	310, 311	370482Z	339	400007Z	469, 470,	401612Z	499		414, 428
360501	311	370483Z	339		478, 492,	401613Z	499	42001-0057S	428
360502	310, 311	370486Z	339		493, 498, 509	401617Z	499	42001-0059	432
360503	310, 311	370492Z	339	400010	469, 470,	401618Z	499	42001-0060S	399, 400,
360504	310, 311	370494Z	339, 340		479, 492,	401619Z	499		406, 410, 429
360506	310	370496Z	339		493, 499	401632Z	499	42001-0061S	399, 409,
360507	310	370497Z	339	400011	509	401633Z	499		414, 428
360516	295, 333	370498Z	339	400011Z	479, 499	401634Z	499		

INDEX

BY PRODUCT NUMBERS

P/N	pg no.	P/N	pg no.	P/N	pg no.	P/N	pg no.	P/N	pg no.
42001-0063S	399, 400, 409, 414, 428	460432	422	460557	422	460775	108	462048	108, 110, 112
42001-0066S	409, 414, 428	460433	422	460558	422	460794	114, 408	46540000	286
42001-0074S	408, 427	460434	422	460559	422	460795	114, 408	46540100	286
42001-0085S	114	460435	422	460560	422	460797	408	46550000	287
42001-0105S	409, 414, 428	460436	422	460561	422	460798	408	46550015	287
42001-0107S	399, 400, 409, 414, 428	460437	422	460562	422	460805	108	46550065	287
42001-0214S	408	460438	422	460563	422	460806	108	470122	419, 424
42001-0247	428	460439	422	460564	422	460833	120	470137	435, 437, 439
42001-0402	494	460440	422	460565	422	460863	120	470146	435, 437, 439
42002-0005S	408, 412, 427	460441	422	460566	422	460923	406, 429	470147	437, 439
42002-0009	428	460442	422	460568	422	460924	406, 429	470159	433, 435, 437, 439
42002-0024S	399, 409, 414, 428	460443	422	460569	422	460928	120	470161	433, 435, 437, 439
42002-0025S	399, 409, 414, 428	460444	422	460570	422	460929	120	470179	419, 424
42002-0031Z	408, 412	460445	422	460571	422	460930	120	470180	425
42002-0032Z	408	460446	422	460572	422	460931	120	470181	425
42002-0033Z	408	460447	422	460573	422	460932	120	470184	416, 419, 424
42002-0034Z	408, 409, 412, 414	460448	422	460574	422	460934	120	470186	416, 419, 424
42002-0035Z	409, 414	460449	422	460575	422	460935	120	470190	425
42002-0039Z	408	460450	422	460576	422	460937	120	470281	433, 434, 437, 439
42002-0041Z	408, 412	460451	422	460577	422	460941	429	470284	433, 434, 437, 439
4231033	355	460452	422	460720	422	460958	120	470289	437, 439
45361000	138	460465	422	460721	422	460959	120	470364	420, 425
45361500	139	460466	422	460722	422	460960	120	470365	420, 425
460222	416, 421	460467	422	460723	422	460961	120	470366	420, 425
460223	416, 421	460468	422	460724	422	460962	120	470367	420, 425
460224	416, 421	460469	422	460725	422	460964	120	470368	420, 425
460225	416, 421	460470	422	460726	422	460965	120	470369	420, 425
460226	416, 421	460506	421	460727	422	460967	120	470414	417, 419, 425
460227	419, 421	460507	421	460730	108	460969	104	470419	437, 439
460228	416, 421	460510	422	460731	108	460970	104	470434	437, 439
460230	416, 421	460511	422	460732	108	461000	108	470439	430, 435, 437, 439, 441
460231	416, 421	460531	422	460733	108	461002	408	470441	430, 434, 437, 439, 441
460233	416, 421	460532	422	460734	108	461007	406, 429	470471	417, 419
460234	416, 421	460533	422	460735	108	461020	108	470472	417
460237	416, 419, 421	460534	422	460736	108	461021	108	470473	417
460412	422	460535	422	460737	108	461030Z	435	470474	417
460413	422	460536	422	460738	114	461031	108, 114	470475	417
460414	422	460537	422	460739	408	461058	110	470476	417
460415	422	460538	422	460740	408	461059	110	470550	416, 419, 425
460416	422	460539	422	460741	114, 408	461060	110	470656	423
460417	422	460540	422	460742	114, 408	461061	110	470777	423
460418	422	460541	422	460743	408	461062	114, 412	470965	425
460419	422	460542	422	460744	408	461063	114, 408, 412	471187	421
460424	421	460543	422	460745	408	461100	114, 296, 399, 408, 427	471204	425
460427	422	460544	422	460746	408	461101	114, 296, 399, 409, 428	471205	425
460428	422	460545	422	460747	405	461102	114, 296, 399, 406, 429	471271	417, 419
460429	422	460546	422	460748	406	461105	399, 409, 414, 428	471277	417, 419
460430	422	460547	422	460749	406	461106	409, 414, 428	471291	417, 419
460431	422	460548	422	460753	408	461107	409, 414, 428	471292	417, 419
		460549	422	460754	408	461113	106	471293	417, 419
		460550	422	460755	114, 408	462023	400, 431	471294	417, 419
		460551	422	460756	114, 408	462042	104	471328	417, 419
		460552	422	460757	408	462043	104		
		460553	422	460758	408				
		460554	422	460759	408				
		460555	422	460763	112				
		460556	422	460771	108				

INDEX

BY PRODUCT NUMBERS

P/N	pg no.	P/N	pg no.	P/N	pg no.	P/N	pg no.	P/N	pg no.
471357.....	421	473024.....	441	473381.....	433, 435,	474065.....	405, 429	474994.....	412
471360.....	419, 424	473024Z.....	437, 439		437, 439, 441	474089.....	435	475002.....	112, 114
471419.....	416, 419	473025.....	441	473412.....	435, 437, 439	474094.....	408, 427	475112.....	435
471420.....	416, 419	473025Z.....	437, 439	473416.....	439	474095.....	408, 427	475176Z.....	435
471424.....	420, 425	473026.....	437, 439, 441	473417.....	439	474096.....	406, 429	475193Z.....	435
471441.....	416, 419	473034.....	437, 439, 441	473422.....	435, 437, 439	474097.....	406, 429	475194.....	435
471532.....	421	473035.....	437, 439, 441	473423.....	435, 437, 439	474193.....	435	475195.....	435
471543.....	421	473051.....	441	473424.....	439	474194.....	435	475219Z.....	435
471566.....	432, 435,	473052.....	441	473431.....	435, 437, 439	474196.....	435	475230Z.....	430
	437, 439	473054Z.....	430, 435	473432.....	435, 437, 439	474197.....	433, 435	475231Z.....	435
471587.....	416, 419	473059.....	441	473603.....	435, 437	474198.....	433, 435	475232.....	435
471612.....	417, 419	473068.....	441	473605.....	416, 419,	474200.....	406, 429	475271.....	435
471622.....	416, 419	473069.....	441		435, 437, 439	474201.....	408, 427	475273.....	435
471677.....	417	473070.....	441	473606.....	432, 435,	474202.....	435	475274.....	435
471678.....	416	473116.....	439, 441		437, 439	474203.....	435	475601.....	400, 432
471694.....	416, 419	473117.....	439, 441	473655.....	437	474230.....	435	475603.....	400
471750.....	416, 419	473121.....	430, 434,	473656.....	432, 435, 437	474237.....	432, 435	475604.....	400
471973.....	423		437, 439, 441	473665.....	433, 434, 437	474241Z.....	434	475606.....	400, 431
471974.....	423	473134.....	437, 439	473693.....	437, 439	474242.....	435	475608.....	400
471975.....	423	473135.....	435, 437,	473710.....	405	474248.....	435	475609.....	400
471984.....	423		439, 441	473715Z.....	406, 410, 429	474265.....	435	475610.....	400
471985.....	423	473136.....	439	473716Z.....	406	474267.....	435	475611.....	400
471986.....	423	473139.....	434, 437,	473731Z.....	432, 435	474270Z.....	435	475612.....	106, 400
471991.....	416, 419		439, 441	473732.....	434	474285Z.....	431	475613.....	400
471992.....	416, 419	473144.....	439, 441	473734Z.....	434	474291Z.....	434	475614.....	400
471993.....	416, 419	473145.....	439, 441	473735Z.....	430, 434	474292.....	408, 412	475615.....	400, 431
472101.....	417, 419	473149.....	432, 435,	473736.....	430, 434	474321.....	435	475617.....	400
472127.....	417, 419		437, 439, 441	473742.....	435	474322.....	435	475618.....	400
472131.....	416, 419	473150.....	432, 435,	473744.....	432, 435	474323Z.....	435	475619.....	400
472132.....	416		437, 439, 441	473745.....	434	474327.....	435	475620.....	400
472133.....	416	473154.....	435, 441	473755.....	435	474349.....	406	475621.....	400
472134.....	416	473155.....	432, 435,	473772.....	435	474350.....	406	475622.....	400
472135.....	416		437, 439, 441	473773.....	435	474405.....	410	475623.....	400
472136.....	416	473156.....	441	473774Z.....	435, 437	474406.....	410	475624.....	400
472164.....	416	473157.....	441	473778.....	435	474407.....	410	475669.....	406
472165.....	416	473160.....	441	473783.....	430, 435	474845.....	110, 114, 412	475877.....	431
472166.....	416	473168.....	441	473785.....	430, 435	474952.....	408, 412, 427	475899Z.....	431
472167.....	416	473169.....	441	473786.....	430, 435	474953.....	406	475900Z.....	431
472168.....	416	473172.....	439, 441	473787.....	435	474954.....	406	475901Z.....	432
472169.....	416, 419	473175.....	439, 441	473789.....	435	474955.....	406	475902Z.....	431
472263.....	423	473176.....	441	473790.....	435	474956.....	406, 429	475905Z.....	432
472264.....	423	473181.....	441	473992.....	435	474957.....	408, 427	475911Z.....	432
472329.....	417, 419, 425	473198.....	441	473999.....	435	474958.....	408, 412, 427	475912Z.....	433
472330.....	417, 419,	473216.....	441	474009.....	434	474971.....	410	475918Z.....	431
	420, 425	473221.....	441	474010.....	434	474972.....	410	475926Z.....	432
472409.....	430, 435	473222.....	441	474011Z.....	434	474973.....	410	475927Z.....	432
472434.....	423	473223.....	437, 439, 441	474016.....	435	474974.....	114, 410	475928Z.....	432
472496.....	423	473224.....	441	474021.....	435	474977.....	412	475929Z.....	432
472569.....	423	473285.....	434, 437,	474030Z.....	435	474978.....	412	475930Z.....	432
472610Z.....	399, 409,		439, 441	474031.....	435	474979.....	412	475931Z.....	432
	414, 428	473294.....	437, 439, 441	474058.....	405, 429	474980.....	412	475932Z.....	432
472648Z.....	406, 429	473295.....	434, 437,	474059.....	405	474981.....	412	475933Z.....	432
472732Z.....	406		439, 441	474060.....	405, 429	474989.....	410	475938Z.....	430
472734.....	435, 437, 439	473315.....	435, 437, 439	474061.....	405, 429	474990.....	412	475939.....	430
472735.....	437	473320.....	439	474062.....	405, 429	474991.....	412	475940Z.....	430
472736.....	435, 437	473364.....	441	474063.....	405	474992.....	412	475941.....	432
472737.....	435, 437	473368.....	437, 439, 441	474064.....	429	474993.....	412	475943.....	431, 433

INDEX

BY PRODUCT NUMBERS

P/N	pg no.	P/N	pg no.	P/N	pg no.	P/N	pg no.	P/N	pg no.
475948Z.....	430	500113.....	284	51005000.....	299, 300,	516258.....	279, 563	520344.....	349
475949.....	430	500114.....	284		304, 362, 364, 374,	516259.....	563	520345.....	354
475950Z.....	433	500115.....	285		375, 550, 551	516260.....	563	520352.....	47
475953Z.....	433	500116.....	285	51006100.....	395	516261.....	279, 563	520389.....	538
475954Z.....	431	500117.....	285	51006200.....	395	516264.....	563	520396.....	47
475955Z.....	432	500118.....	285	51008500.....	511	516265.....	563	520400.....	47
475956Z.....	432	500120.....	285	51009500.....	552, 553	516306.....	279, 563	520403.....	46, 354
475957Z.....	432	500121.....	285	51012911.....	550	516307.....	563	520405.....	349
475971.....	106, 400	500122.....	285	51013011.....	396, 550	516315.....	563	520406.....	46
475973.....	400	500123.....	285	51013111.....	550	516318.....	563	520442.....	46
475975.....	400	500130.....	285	51013200.....	395	516324.....	563	520456.....	47
475976.....	400	500135.....	568	51013500.....	396, 550	516328.....	279, 563	520461.....	47
475978.....	400	500140.....	284	51013811.....	550	516329.....	279, 563	520498.....	349
475979.....	400	500141.....	284	510161.....	562	516345.....	563	520499.....	349
475980.....	400	500142.....	284	51016200Z.....	538	516442.....	564	520500.....	40, 45,
475982.....	400	500143.....	284	510166.....	287, 301,	520001.....	353		49, 51, 53
475984.....	400	500144.....	284		565, 566	520005.....	354	520538.....	48
475985.....	400	500145.....	284	51021600.....	543	520006.....	354	520540.....	48
475987.....	400	500146.....	284	51025700.....	543	520008.....	353	520542.....	48
475996.....	400	500147.....	284	510327.....	279	520010Z.....	355	520543.....	48
475998.....	400	50131100.....	543	510332.....	279	520062.....	349	520544.....	48
476000.....	400	50131400.....	543	510543Z.....	568	520077Z.....	349	520545.....	48
476001.....	400	50133100.....	543	510583Z.....	568	520078Z.....	349	520546.....	49, 352
476002.....	400	50151400.....	543	510592Z.....	568	520079Z.....	349	520547.....	49, 53, 352
476003.....	400	50151700.....	543	512149.....	567	520080Z.....	349	520548.....	49
476004.....	400	50152300.....	543	513027.....	567	520106.....	46, 49, 51,	520549.....	49, 53
476032Z.....	433	506160.....	279, 563	513030.....	567		54, 349, 352	520554.....	53, 241
476036Z.....	433	506161.....	279, 563	513031.....	567	520108.....	349	520555.....	53, 241
476059.....	400	506162.....	277, 279, 563	513036.....	567	520119Z.....	349	520556.....	53, 241, 242
476068Z.....	430	506300.....	279	513330.....	566	520124.....	352, 353, 355	520588.....	49, 51, 241
476069.....	430	506301.....	279	513331.....	566	520138.....	45, 46	520591.....	48
476070Z.....	430	506302.....	279	513332.....	566	520151Z.....	349, 352	520592.....	48
476072.....	106, 400	506304.....	279	513333.....	566	520173.....	349, 353, 355	520593.....	48
476081Z.....	400, 431	506308.....	279	513335.....	566	520191.....	349	520594.....	49, 51
476101.....	400	506309.....	279	513339.....	566	520198.....	46, 49, 51, 54	520595.....	49, 51,
476102.....	400	506310.....	279	513340.....	566	520199.....	46, 49, 51		241, 352
476105Z.....	430	506361.....	279	513341.....	566	520217.....	349, 352	520639.....	40, 49, 50
476106.....	400	506362.....	279	513345.....	566	520244.....	348, 349	520645Z.....	353
476118Z.....	432	506363.....	279	513346.....	566	520265.....	349	520651.....	352
476198.....	410	506364.....	279	513347.....	566	520266.....	349	520652.....	352
476223.....	399, 409,	506365.....	279	513351.....	566	520267.....	349	520653.....	352
	414, 428	506370.....	279	513352.....	566	520272.....	46, 49, 51, 53,	520655.....	352
476227Z.....	434	506370.....	279	51516100.....	299, 300,		54, 349, 353, 355, 441	520656.....	352
476228Z.....	434	506380.....	279		304, 374	520273.....	349	520657.....	352
476229Z.....	430, 434	506381.....	279	51516200.....	300, 362, 364	520276.....	349	520658.....	349, 352
476230Z.....	434	506382.....	279	516112Z.....	563	520277.....	349	520659.....	352
500023.....	276	506420.....	279	516215.....	279, 563	520281.....	349	520660.....	49, 352
500100.....	284	506421.....	279	516216.....	279, 563	520283.....	349, 352	520670.....	49, 51
500101.....	284	506480.....	279	516228.....	563	520285.....	46	520691.....	352
500102.....	284	506520.....	279	516231.....	563	520287.....	349	520692.....	352
500103.....	284	506521.....	279	516237.....	563	520296Z.....	349	520703.....	48
500104.....	284	506581.....	279	516241.....	563	520302.....	349	520704.....	48
500105.....	284	50901600.....	101	516242.....	563	520303.....	349	520705.....	48
500106.....	284	51000700.....	543	516243.....	563	520304.....	349	520711.....	352
500108.....	284	51001400.....	543	516252Z.....	563	520341.....	349	520712.....	352
500110.....	284	51002800.....	543	516253.....	279, 563	520342.....	349	520714Z.....	352
500111.....	284	51002900.....	543	516254.....	279, 563	520343.....	349	520722.....	352

INDEX

BY PRODUCT NUMBERS

P/N	pg no.	P/N	pg no.	P/N	pg no.	P/N	pg no.	P/N	pg no.
520723	352	521178	37, 46, 49, 53	521512	357, 358, 359	522038Z	37	522637	243
520724	349, 352	521179	37, 46, 49, 53	521513	358	522039Z	37	522638	243
520734	49, 51, 241	521180	37, 46, 49, 53	521514	358	522041	37	522680Z	240
520736	49, 51, 241	521213	43	521515	358	522042	37	522711	358
520814Z	353	521214	43	521516	353, 358	522043	37	522712	358
520815Z	349	521215	43	521590	55	522044	37	522745	241
520818	46, 49, 51, 53	521216	43	521592	55	522045	36	522978Z	348
520819	54	521218	349, 352	521604	353	522046	36	522997Z	348
520820	54	521219	44	521605	353	522047	36	523004Z	359
520830Z	348, 349	521220	44	521606	55	522048	36	523009	53, 240
520834Z	349	521221	44	521622	60, 359	522051	348	523010	53, 240
520841Z	353	521222	44	521632	55	522052	348	523029Z	348
520856	54	521223	44	521633	241	522053Z	348	523034	530
520857	54	521224	44	521814	351, 356	522054	348	523035	530
520859	54	521225	44, 47	521852	355	522056Z	348	523036	530
520872	350	521226	44, 47	521853	355	522082	349	523037	530
520888	241	521227	349, 352	521873Z	348	522101	46, 49, 51, 53, 54, 349, 352, 353	523038	530
520906	45, 47	521228	349	521883	47	522102Z	348	523039	530
520907	47, 349	521229	349	521884	47	522104	40, 45, 49, 50, 51, 53	523040	530
520910	241	521230	349	521885	47, 49, 51, 53	522109	241	523041	530
520911	48, 241	521231	349	521886	47	522186	356, 359	523042	530
520912	48, 241	521232	352	521887	47	522187	356, 359	523049	36
520914	48	521233	349, 352	521888	47	522347Z	356, 359	523050	348
520915	48	521245	349, 352, 353	521889	47	522352	50	523051	348
520940Z	353	521246	349, 352, 353	521890	47	522353	50	523058	37
520941Z	353	521247	53	521891	47	522354	50	523059	37
520942Z	353	521248Z	241	521892	47	522355	50	523080	53, 240
520946Z	349, 352	521319Z	356	521893	47	522384	357, 358, 359	523081	53, 240
520957	47	521335Z	356, 359	521894	47	522386	357, 358	523100	240
520967	46, 49, 51, 54	521338Z	356	521895	357, 358	522446	357, 358, 359	523101	240
520970	242	521342Z	356, 359	521903	36	522464	50, 51	523102	240
520971	242	521348Z	356	521904	36	522465	50, 51	523103	240, 241
520972	242	521357	60	521905	36	522472	60, 357	523104	240
520973	242	521377	62, 241	521906	36	522473	60, 357	523108	53, 240
520974	242	521378	60, 357	521907	36	522474	60, 357	523109	53, 240
520975	242	521397	60, 357	521908	36	522478Z	60, 357	523110	530
520976	242	521408Z	352	521909	37	522480	60, 62, 357, 358	523111	530
520977	242	521441	349, 352	521910	37	522500	355	523112	530
520978	242	521465Z	356	521911	37	522501	355	523113	530
521005	242	521466Z	356	521912	37	522513Z	357, 358	523117	359
521034Z	241	521467Z	356, 359	521913	37	522523	352	523125	36
521051Z	349, 352	521468Z	356, 359	521914	37	522524	352	523126	36
521057Z	349, 352	521485	46, 49, 51, 53, 54, 57	521915	37	522525	352	523127	36
521078Z	349	521495	241	521936Z	348	522526	352	523146	359
521081Z	349, 352	521498	60	521942	55	522577	61	523148	530
521099Z	53	521500	49, 355	521968Z	348	522578	61	523216	240
521105	53, 241	521501	355	521977Z	348	522620	40, 45, 49, 51, 53, 349, 352	523218	36
521107	53	521502	355	521984Z	348	522621	60	523228	359
521109	170, 172, 174, 76, 178, 190, 192, 194	521503	355	521993Z	348	522622	60	523248	37
521142Z	349, 352	521504	355	522004Z	348	522623	359	523317	52
521147	241	521505	357, 358	522005Z	348	522624	359	523345	348
521150	48	521506	357	522009	359	522635	243	523346	348
521151	242	521507	357, 358	522010Z	356, 359	522636	243	523355	348
521171	241	521508	357, 358	522033	37			523382	530
521176	37, 46, 49, 53	521509	357, 358	522034	37			523383	530
521177	37, 46, 49, 53	521511	357, 358, 359	522035	37			523385Z	351
				522036	37			523387Z	351

INDEX

BY PRODUCT NUMBERS

P/N	pg no.	P/N	pg no.	P/N	pg no.	P/N	pg no.	P/N	pg no.
523396Z	351	540044	289	57006800	549	590005	556	590159	559
523399Z	351	540049	289	580000	274	59000500	375	590160	559
523402	39	540050	289	580001B	261	59000600	375	590161	559
523404	38, 350	540051	289	580001G	261	59000800	375	590162	559
523410Z	350	540053	289	580001T	261	590010	556	59016200	299, 300, 363, 364, 373
523413Z	350	540056	287	580003	274	59001000	375	590163	559
523423	530	540057	287	580004	558, 560	590011	556	590165	559
523434	37, 40, 348	540063	283	58001000	375	59001100	375	590166	559
523440Z	351	540064	283	580036	264	59001500	375	590167	559
523441Z	351	540065	283	580037	264	59001700	375	590168	559
523448	36	542000	289	580038	261	59001800	375	590169	559
523460	530	542001	289	580039	261	590021	558	590170	559
523461	530	542002	289	580040	261	59002100	375	590172	559
523462	530	542003	289	580041	262	59002300	375	590173	559
523463	530	542038	283	580042	262	590024	558	590174	559
523470Z	359	542039	283	580043	262	59002400	375	590175	559
523476	39	542044	287	580044	262	590025	558	590176	559
523478	61	542045	287	580046	262	590026	558	590177	559
523492Z	61, 359	542068	153	580047	262	590027	558	590178	559
523493	61, 359	542087	289	580048	262	59002700	375	590179	559
523494	61, 359	542090	22, 101	580049	262	590028	558	590180	559
523506Z	351	542142	287	580050	262	590029	558	590188	262, 559
523516Z	351	542146	283	580051	262	59002900	375	590189	262, 559
523522	351	542402	288	580053	262	590030	558	59019800	301
523525Z	359	542404	288	580054	262	59003000	375	590230	559
523526	351	542405	288	580055	262	590031	558	590233	559
523527	351	542411	288	580056	262	590032	558	59023300	375
523529	36	542413	22, 288	580057	262, 559	590041	556	59023400	375
523530	36	542414	22, 288	580058	262, 559	590042	556	59023500	375
523533Z	359	542417	288	580064	262	590046	556	59023700	375
523537Z	359	542418	288	580065	559	590047	556	590238	559
523539	351	542419	288	580066	559	590048	556	59023800	375
523540	351	542423	288	580067	557	590100	558	590242	559
523541	351	542424	288	580068	557	590102Z	557	590245	559
523557	37, 40, 348	542429	288	580069	262	590103Z	557	590246	262, 559
53006300Z	362	544425	37, 40, 348	580070	260	590104Z	557	590254	262, 559
53108900Z	362, 375	545100	288, 569	580071	260	590105Z	557	590255	262, 559
540000	289	545101	288, 569	580072	260	590106Z	557	590256	262, 559
540001	289	545103	288, 569	580073	260	590107Z	557	59052900	299, 300, 304, 363, 364, 373, 374, 395
540002	289	55028400	362	580074	260	590109Z	557	59053001Z	373
540007	289	55028500	362	580075	260	590118Z	557	59053500	299, 300, 364
540008	289	552377	483, 485	580076	260	590119Z	557	59053600	299, 300, 364
540009	289	552406	569	580077	260	590121Z	557	59053700	299, 300, 363, 364, 373
540014	289	552472	569	580078	260	590123	558	59053800	299, 300, 363, 364, 373
540015	289	552496	569	580088	260	590127Z	557	59053800	299, 300, 363, 364, 373
540016	289	552511	283	580090	560	590128Z	557	59053800	299, 300, 363, 364, 373
540021Z	289	552566	563	580091	260	590129Z	557	59053800	299, 300, 363, 364, 373
540022	289	552612	286	580092	260	590130Z	557	59053800	299, 300, 363, 364, 373
540023	289	552614	286	580096	560	590131Z	557	59053800	299, 300, 363, 364, 373
540028	289	552622	286	580097	260, 560	590132Z	557	59053800	299, 300, 363, 364, 373
540029	289	552624	286	580101	260, 560	590133Z	557	59053800	299, 300, 363, 364, 373
540030	289	560000	137	580105	260, 560	590134Z	557	59053800	299, 300, 363, 364, 373
540035	289	560001	137	580109	260, 560	590135	557	59053800	299, 300, 363, 364, 373
540036	289	560002	137	580113	260, 560	590147Z	557	59053800	299, 300, 363, 364, 373
540037	289	560003	137	5890001	260	590150	556	59053800	299, 300, 363, 364, 373
540042	289	570004	453	5890002	260	590157	262, 559	59053800	299, 300, 363, 364, 373
540043	289	570011	453	59000400	102	590158	559	59053800	299, 300, 363, 364, 373
								5CCSPHJ3-142	226
								5CCSPHK3-143	226
								5CCSPHL3-144	226
								5CCSPHM3-145	226
								5CSPHJ	227
								5CSPHJ-142	226
								5CSPHJ3	227
								5CSPHJ3-142	226
								5CSPHK	227

INDEX

BY PRODUCT NUMBERS

P/N	pg no.	P/N	pg no.	P/N	pg no.	P/N	pg no.	P/N	pg no.
5CSPHK-143	226	601108	126	606000100Z	351,	620058	447	650015	141, 451
5CSPHK3	227	601200	126		356, 359	620060Z	448	650016	141, 451
5CSPHK3-143	226	601201	126	61002-0012	518	620061Z	448	650017	141, 451
5CSPHL3	227	601202	126	618031	130	620062Z	448	650018	141, 451
5CSPHL3-144	226	601203	126	618040	123, 264	620063Z	448	650019	133, 134,
5CSPHM3	227	601204	126	619312	395	620064Z	448		141, 451
5CSPHM3-145	226	601205	126	619355Z	445, 446,	620065Z	448	650139Z	451
5P6R6D-209-INT	198	601206	126		450, 451	620080	128	670040	458
5P6R6D3-209-INT	199	601207	126	619476	458	620081	128	670044	140, 458
5P6R6E-210-INT	198	601208	126	619477	458	620093	128	67150	237
5P6R6E3-210-INT	199	601300	126	619494	449	620094	128	67152	237
5P6R6F-211-INT	198	601301	126	619518	449	620141	445, 446	6870002	46, 355
5P6R6F3-211-INT	199	601302	126	619539	136	620276	445, 446	690018Z	447
5P6R6G-212-INT	198	601303	126	619547	452	620314	129	690019	130
5P6R6G3-212-INT	199	601304	126	619548	452	620400Z	445,	690026	448
5P6R6H-213-INT	198	601305	126	619549	452		446, 448	690027	448
5P6R6H3-213-INT	199	601306	126	619550	452	620424	122	69100000	449
5PHK2E6C-100-INT	204	601307	126	619551	136, 449	620425	122	6CONDTEST	353
5PHK2E6D-101-INT	204	601308	126	619552	449	620426	122	710009	299, 302,
5PHK2E6E-102-INT	204	602000	124	619553	453	620428	122		304, 305,
5PHK2E6F-103-INT	204	6020006	550, 551	619555	456, 458	620429	122		306, 308
5PHK2E6G-104-INT	204	6020018	487, 489, 490,	619599Z	452	620430	122	711004	307
60000-0706	549		491, 503, 505	619601	452	620457	122	711006	299, 307
600030	136	602002	124	619617Z	452	620459	123	714000070	60, 359
600040	136	602003	124	619763	448	620460	123	744000280	356
600042	136	602010	124	619764	448	620463	123	744000290	356, 359
600052	452	602012	124	619790Z	447	622000080Z	356, 359	744000350	356
600053	452	602053	128, 264	619792	452	62500-0101	516	744000360	356, 359
600095	446, 448	602054	128, 264	619818Z	445	630016	456	754000310	356, 359
600107	445	602055	128, 264	619864Z	445,	630017	456	754000340	356, 359
600108	445	602056	128, 264		446, 448	630022	456	754000350	356, 359
600138	452	602060	448	619875Z	446	630023	456	754000410	356, 359
600139	452	602065	448	619916Z	446	630025	456	754000440	356, 359
600140	135, 141, 452	602070	448	619917Z	446	630043	140	755000350	356
600141	452	602097	448	619962	123, 129,	630044	140	77111100	134
60028300	138, 139,	602102	128, 264		130, 261, 264	630047	456	77113102	134
	140, 454,	602103	128, 264	619963	123, 129,	630056	456	77118100	134
	455, 456, 458	602104	128, 264		130, 261, 264	634595	454	77161100	134
601000	124	602105	128, 264	619993	128	640046	445, 446	77163102	134
601001	124	602106	129	619994	128	640120	125	77168100	134
601002	124	602107	129	620000040Z	356, 359	640121	125	77181100	134
601003	124	602108	129	620000130Z	356, 359	640122	125	77182500	134
601004	124	602130	123	620004	140	640123	125	77188100	134
601010	124	602131	123	620010Z	447	640124	125	77310100	134
6010102	354	602132	123	620013Z	447	640130	125	77360300	134
6010103	354	602133	123	620017Z	447	640131	125	77362000	134
601011	124	602134	123	620026Z	448	640132	125	77365000	134
601012	124	602135	123	62003-2088	524	640133	125	77703-0100	71, 199,
601013	124	602136	129, 447	620039	128	640140	127		235, 553
601100	126	602137	129, 447	620040	128	640141	127	77703-0101	71, 81,
601101	126	602138	129, 447	620041	128	640142	127		199, 235
601102	126	602155	122	620051	128	640143	127	77704-0100	549
601103	126	602157	122	620052	128	640144	127	77705-0200	337
601104	126	602158Z	123	620054	447	640150	127	77707-0001	399,
601105	126	602165	122, 264	620055	447	640151	127		406, 429
601106	126	602166	122, 264	620056	447	640152	127	77707-0002	427
601107	126	602167	122, 264	620057	447	640153	127	77707-0008	408, 412, 427

INDEX

BY PRODUCT NUMBERS

P/N	pg no.	P/N	pg no.	P/N	pg no.	P/N	pg no.	P/N	pg no.
77707-0009	428	77707-3400N	427	78872600	452	79116800	449	8023312	352, 353
77707-0010	399, 406, 429	78101200	133	78873500	135	79116900	449	81111700	562
77707-0011	408, 412, 427	78103202	133	78873700	135	79118300Z	449	81111800	562
77707-0013	428	78106000	133	78880200	452	79123401	449	82400700	287
77707-0014	406, 429	78106002	133	78880300	452	79126900	449	82400800	287
77707-0015	406, 429	78106100	133	78880400	452	79129900	481, 490, 505	83000000	449
77707-0016	406, 429	78106200	133	78881400	452	79137800	22, 507, 508	84120100	276
77707-0017	406, 429	78106300	133	78882100	452	79200100	454	84120200	276
77707-0022	428	78106400	133	78883700	141	79200200	454	84141100	276
77707-0054	399, 409, 414, 428	78107500	133	78883701	141	79200255	138, 141	84151500	276
77707-0076	114	78108200	133	78883702	141	79200300	454	84420405	276
77707-0077	114	78210400	138	78883703	141	79200400	454	84420500	276
77707-0086	114	78210500	138	78887700	135	79200700	454	84420505	276
77707-0087	114	78210600	138	78887800	135	79202900	22, 136	84420530	276
77707-0111	408, 427	78210700	138	78889900	452	79203100	22, 136	84420535	276
77707-0112	427	78210701	138	78900100	132, 141	79203200	455	84420600	276
77707-0113	408, 427	78232400	138	78900700	141	79204603	455	84420605	276
77707-0117	406, 429	78232401	138	78900800	141	79205100	454	84420630	276
77707-0118	406, 429	78232500	138	78900900	141	79205200	454	84420635	276
77707-0119	406, 429	78241202	139	78927000	131	79205300	454	84420700	276
77707-0120	406, 429	78242200	139	78927900	131	79205400	454	84420705	276
77707-0202	408, 427	78242202	139	78928500	131	79205500	455	84420730	276
77707-0203	408, 427	78242300	139	78949100	131	79205600	455	84420735	276
77707-0204	408, 427	78243200	139	78950100	132	79205700	450	84420800	276
77707-0232	405, 429	78243300	139	78958500	132	79206000	455	84420805	276
77707-0233	405, 429	78244200	139	79100000	136	79206055	139, 141	84452200	276
77707-0234	405, 429	78244202	139	79100000Z	22	79206300	458	84472400	276
77707-0242	429	78244300	139	79100100	132, 450	79206500	458	84900300	276
77707-0243	429	78310500	141	79100200	132, 450	79206600	140	85000300	562
77707-0244	405, 429	78310600	141	79101600Z	450	79206700	140	85000400	277, 562
77707-0250	408	78310700	141	79101800	450, 457	79207100	450	85000411	277, 562
77707-0251	408, 427	78411100	131	79101900	450, 457	79207900	455	85000600	562
77707-0252	427	78415100	131	79102100	450, 457	79210000	450	85001500	562
77707-0253	408, 427	78418100	131	79102200	450	79210011	450	85001600	562
77707-0254	408, 427	78421100	131	79102800Z	449	79210065	450	85001900	277
77707-0255	427	78428100	131	79102900	451	79210400	445, 446, 451	85002300	277
77707-0256	408, 427	78431100	132	79103502	449	79211600Z	138, 454	85002400	562
77707-0411	408, 427	78435100	132	79104800Z	445, 446, 448, 450, 451	79212111	132, 141, 450	85002600	562
77707-0421	427	78438100	132	79105400	450	79212165	132, 141, 450	85002800	565
77707-0431	408, 427	78441100	131	79107600	450	79212200	133, 134, 141	85003200	565
77707-0441	408, 427	78444200	132	79107800	451	79212211	133, 134, 141	85003300	565
77707-0451	427	78447100	131	79108100	451	79212265	133, 134, 141	85003400	565
77707-0461	408, 427	78448100	131	79108500Z	451	79213100	132, 141, 445	85003900	565
77707-1411	114, 408, 427	78448200	132	79108600	445, 446, 451	79213111	141	85004000	565
77707-1421	114, 427	78449100	131	79108900	133, 134, 451	79226300	454	85004200	562
77707-1431	114, 408, 427	78451100	131	79109000Z	133, 134, 451	79300600	453	85004211	562
77707-1441	114, 408, 427	78453102	132	79110600	132, 445, 446, 450	79301800	453	85004213	562
77707-1451	114, 427	78454200	132	79110700	449	79301900	453	85004700	565
77707-3200L	427	78456300	131	79111000	445, 446, 450	79304600	364, 374	85007200	562
77707-3200N	427	78457100	131	79111600	445, 446, 451	79304700	299, 300	85007400Z	277, 562
77707-3333L	427	78458100	131	79112400	450, 451	79401000	449	85007411	277, 562
77707-3333N	427	78458200	132	79112700	451	8023302	350, 352, 353	85007413	277, 562
77707-3400L	427	78458300	131	79113800Z	451	8023304	349, 350, 352, 353	85007430	277, 562
		78459100	131	79116600	449	8023306	350, 352, 353	85007600	562
		78864200	135			8023308	352, 353	85007700	562
		78864250	135			8023310	352, 353	85008500	562
		78864300	135					85008600	562

INDEX

BY PRODUCT NUMBERS

P/N	pg no.	P/N	pg no.	P/N	pg no.	P/N	pg no.	P/N	pg no.
85008700	562	97014-4203KIT	215, 509	B75861	231	C23-58	514, 515, 517	CCSPHN3-145	224
85008800	562	97014-4204KIT	215	B76775	231	C253-58P	527	CON6	353
85009500	562	97016-4206KIT	215	B76776	231	C2-66	517	CRALX	349, 352, 354
85009600	565	97016-4208KIT	215	B76786	231	C2-81	514, 515	CS400DP	96
85009700	565	98105700	301	BAT3	349, 353	C2-81D	514, 515	CSPH2K3-142	224
85009800	565	98200700	300			C3-105	517	CSPH2L3-143	224
85012800	562	98202600	454, 562			C3-105D	519	CSPH2M3-144	224
85014200	562	98202700	454, 562	C		C3-139P1	527	CSPH2N3-145	224
85014500	562	98202900	562, 565	C101-126	517	C3-184P	506, 524, 525	CSPHK-142	224
85014600	562	98203000	562, 565	C101-126B	517	C3-185P	524	CSPHK3-142	224
85014700	562	98204200	454	C101-132	517	C3-30	518	CSPHL-143	224
85015100	562	98204400	454, 562,	C101-167	514, 515	C35-11	495	CSPHL3-143	224
85015200	562		565, 567	C101-167D	514, 515	C35-11	494, 526	CSPHM3-144	224
85016600Z	562	98206400	543	C103-194P	495	C35-43	501, 502	CSPHN3-145	224
85017500	562	98207200	562, 565	C103-194P	494	C35-44	501	CVASCR	355
85017600	565	98208500	562	C104-79P	501	C35-45	506, 524, 525	CVASCRJ	355
85017900	562	98208600	451	C105-224DE	515	C35-5	525, 526		
85018000	277, 562	98209000	507, 543	C105-224DF	514	C3-76	518	D	
85019000	543	98209800	299, 300,	C105-224DG	514	C3-78D	519	D05	325
85019100	543		304, 362, 363, 364,	C105-236P	506	C43-45SS	514, 515, 517	D45	325
8520031	352		373, 374, 375, 376,	C105-236PB	506	C43-46	514, 515, 517	D50	325
8520031Z	349, 352,		377, 395	C105-236PC	506	C43-46SS	516	DHH-169	229
	356, 359	98209804	102	C105-236PDA	506, 524	C43-46SSA	516	DHH3-169	228, 229
86001800	452	98211400	375, 542,	C105-236PEA	506	C4-42P	526	DHJ-170	229
86006900	362, 375, 376		543, 546, 548	C105-238PDCA	487, 489	C4-77P	506, 524, 525	DHJ3-170	228
86200500	287	98212200	299, 300,	C105-238PDOEZ	502	C4-78P	494, 495, 501	DHJ3-172	229
86201200	287		304, 364, 374	C108-11P	518, 519	C4-79P	502	DMH-171	229
86201215	287	98213000	562	C108-25SS	518	C5-246	517	DMH3-171	228, 229
86201300	287	98213900	457	C108-33PZ	527	C5-247	517	DMJ-172	229
86201400	287	98218900	433	C1-270P	506, 524, 525	C5-248	517	DMJ3-172	228, 229
86201500	287	98219800	434, 437, 439	C1-270PB	506	C5-249	517		
86202000	299, 300, 304,	98220600	511	C1-270PC	506	C53-21	518	E	
	362, 364, 374, 375	98600000	22, 136	C1-271P	494, 495	C53-21D	519	E10	321, 323,
86204200	286	98600008	136	C153-53P1	527	C53-5B	518		325, 330
86204211	286	98605300	22, 136	C154-18D	518, 519	C53-5D	519	E11	325
86204215	286	98610002	22, 136	C176-71P	524	C69-2	524	E12	325, 329
86205100	288	98610042	136	C19-37A	494, 495,	C76-12	517	E13	325, 327, 329
86205101	288	98630000	136		501, 502	C76-12B	517	E14	325, 327, 329
86205103	288	98725800	375	C19-54SS	526	C76-12C	517	E15	325, 327, 329
86300100	287	98740900	543	C20-100	514, 515, 517	C76-58P	524	E18	321, 323, 325,
86300130	287	98960311	101, 362	C20-101	514, 515, 517	C76-71P	506		327, 329, 330
86300500	300, 362, 364	990010	456, 458	C20-123Z	527	C8-58P	502	E21	325, 327, 329, 331
87200700	556	9987013	353	C20-19	518, 519	C8-58PZ	494, 495,	E23	321, 323, 325,
87200800	556			C203-194P	501, 502		501, 506, 524		327, 329, 331
87201200	556	A		C20-46	517	CA0001000	115	E24	317, 319, 321,
87201911	396	A100CHL	526	C20-77	514, 515	CA000800	115		323, 325, 327,
87202211	396	A135	511	C21-2	517	CA000900	115	E25	329, 331
87202411	396	A1101	46, 49, 51, 353	C218-177	514, 517	CB3	353		325, 331
87300400Z	299, 300,	A1201	46, 49, 51, 353	C218-178	514, 517	CCSPH2K3-142	224	EA20	321, 323, 325,
	304, 363, 364,	B		C218-179	514, 517	CCSPH2L3-143	224		326, 329, 330
	373, 374, 395	B4110	96	C218-180	515, 517	CCSPH2M3-144	224	EA30	321, 323, 325,
8761047	353	B4221KIT	96	C218-181	515, 517	CCSPH2N3-145	224		327, 329, 330
9142109	355, 441	B71943S	231	C218-182	515, 517	CCSPHK-142	224	EA40	321, 323, 325,
9321004	349, 355, 441	B71945S	231	C218-191	514, 517	CCSPHK3-142	224		326, 329, 330
9541143	354	B71947S	231	C218-192	517	CCSPHL-143	224	EB10	323, 325, 326,
960533	530	B71949S	231	C23-14	517	CCSPHL3-143	224		329, 331
96734200	543	B74945	231	C23-40	514, 515	CCSPHM3-144	224	EB10G	317, 319, 321

INDEX

BY PRODUCT NUMBERS

P/N	pg no.	P/N	pg no.	P/N	pg no.	P/N	pg no.	P/N	pg no.
EB15.....	321, 323, 325, 327, 329, 330	ENCLLX.....	354	FSTG.....	571	JVP8.....	321, 323, 325, 331	L1RW.....	282, 567
EB20.....	321, 325, 329, 522	ES03.....	54, 59	G		K		L2.....	282
EB25.....	321, 323, 325, 326, 329, 330	ES02.....	354	GW7503.....	338	K01210.....	341	L20-40.....	526
EB5L.....	321, 323, 325, 326, 329, 331	ES03.....	46, 49, 51	GW7504.....	338	K01213.....	332, 333, 340	L205P.....	331
EC10.....	330, 331	EU10N.....	321, 325, 329	GW7900.....	34	K12004.....	339	L23-4P1.....	526
EC110.....	321, 323, 325, 330	EU13.....	323, 325	GW7900-BLD.....	34	K12059.....	339, 343	L2R.....	282, 567
EC120.....	321, 323, 325, 326, 329, 330	EU147.....	321, 323, 325, 327, 329	GW7901.....	338	K12079.....	332, 333, 334, 335, 339, 340, 343	L3.....	282
EC130.....	323, 325, 327, 329, 330	EU15.....	321, 323, 325, 326, 329	GW7902.....	338	K12087.....	343	L3R.....	567
EC131.....	323, 325, 327, 329, 330	EU16.....	321, 323, 325, 327, 329	GW7903.....	338	K121620.....	343	L4B.....	282
EC135.....	321, 323, 325, 327, 329, 330	EU16G.....	321, 323, 325, 327	GW7904.....	338	K121680.....	339, 343	L4G.....	282
EC16.....	330, 331	EU7.....	321, 323, 325, 327, 329	GW7907.....	338	K121683.....	343	L4RB.....	282, 567
EC25.....	330	EU76.....	321, 325, 329	GW7910.....	338	K12411.....	341	L4RG.....	282, 567
EC30.....	330	EU79.....	321, 323, 325, 327, 329	GW7911.....	333, 338	K12412.....	340, 341	L4RW.....	282, 567
EC32.....	330	EU80.....	321, 323, 325, 327, 329	GW7912.....	338	K12413.....	341	L4W.....	282
EC36H.....	330	EU9.....	321, 323, 325, 327, 329	GW7913.....	338	K12414.....	341	L5.....	282
EC40.....	321, 323, 325, 327, 329, 330	EU90.....	321, 323, 325, 327, 329	GW9002.....	344, 345	K12415.....	340, 341	L5R.....	282, 567
EC45.....	321, 325, 329, 330	EU90.....	321, 323, 325, 327, 329	GW9003.....	344, 345	K12416.....	341	L6B.....	282
EC55.....	323, 325, 327, 329, 330, 331	EU99.....	321, 323, 325, 327, 329	GW9004.....	336, 337, 344, 345	K12417.....	341	L6G.....	282
EC60.....	321, 323, 325, 327, 329, 330, 331	EW22.....	321, 323, 325, 331	GW9012.....	336, 337, 344, 345	K12418.....	341	L6RB.....	282, 567
EC64.....	317, 319, 321, 323, 325, 327, 329, 331	EX120.....	321	GW9013.....	336, 337	K12419.....	340, 341	L6RG.....	282, 567
EC65.....	321, 323, 325, 327, 329, 330, 331	F		GW9014.....	344, 345	K12420.....	340	L6RW.....	282, 567
EC6L.....	325, 329	F2.....	571	GW9015.....	336, 337, 338, 342, 344, 345	K12421.....	340	L6W.....	282
EC70.....	321, 323, 325, 327, 329, 330	F3.....	571	GW9016.....	344	K12422.....	340	L76-37P.....	526
EC80.....	321, 323, 325, 326, 329, 330, 331	F4.....	571	GW9018.....	345	K12423.....	340	L91001017.....	331
EC83.....	321, 323, 325, 326, 329, 331	F5.....	571	GW9019.....	336, 337, 344, 345	K12424.....	340	LA01N.....	233
EC86.....	321, 323, 325, 326, 329, 330, 331	F6.....	571	GW9500.....	31	K12425.....	340	LA02L.....	522
ED05.....	321, 323, 325, 331	F7.....	571	GW9501.....	337	K12426.....	338, 341, 340, 341	LA05L.....	522
ED10P.....	321, 323, 325, 331	FILTER.....	381	GW9503.....	336, 337	K12427.....	332, 333, 334, 335, 340, 341	LA10NS.....	522
ED15.....	321, 323, 325, 331	FKNOBG.....	354	GW9504.....	336, 337	K12428.....	287, 340	LA115.....	331, 522
ED45.....	325	FL2.....	571	GW9505.....	336, 337	K12429.....	343	LA125.....	331, 522
ED50.....	325	FLGW.....	571	GW9506.....	336, 337	K12430.....	343	LA135.....	522
EG15.....	321, 323, 325, 330	FLKN.....	571	GW9507.....	336, 337	K12431.....	343	LA136.....	522
EH07.....	321, 323, 325, 326, 329, 331	FLO.....	571	GW9508.....	336, 337	K12432.....	343	LA15.....	330
EH09C.....	323, 327, 329, 331	FLSE.....	571	GW9509.....	336, 337	K12433.....	343	LA16.....	330
		FLTE1.....	571	GW9510.....	345	K12434.....	343	LA295.....	522
		FLTE2.....	571	GW9512.....	336, 337	K12435.....	343	LA375.....	522
		FLTG.....	571	GW9513.....	336, 337	K12436.....	343	LA39534.....	522
		FPSAUX.....	353	GW9517.....	336, 337	K12437.....	343	LA41.....	522
		FPSC.....	353	GW9522.....	336, 337	K12438.....	343	LA415.....	522
		FS1.....	571	GW9523.....	336, 337	K12439.....	343	LA45.....	331
		FS2.....	571	GW9527.....	337	K12440.....	343	LB03.....	331
		FS3.....	571	GW9530.....	287, 332, 333, 334, 335, 336, 337, 341	K12441.....	343	LB891001108.....	331
		FSBG.....	571	GW9535.....	336, 337	K12442.....	343	LBL100.....	353
		FSGW.....	571	GW9536.....	336, 337	K12443.....	340	LBL3800.....	353
		FSKN.....	571	J		K12444.....	340	LC115.....	331
		FSNE.....	571	J105-8PACN.....	526	K12445.....	340	LC36.....	331
		FSO.....	571	J1-40P.....	526	K12446.....	340	LC6.....	330, 331
		FSSE.....	571	J23-5.....	517	K12447.....	340	LD10.....	522
		FSTE.....	571	J3-2.....	526	K12448.....	342	LD24.....	331
				JV18.....	377, 542, 551	K12449.....	342	LD45.....	323, 331
						K12450.....	340	LD50.....	323, 331
						K12451.....	340	LDF357B.....	292
						K12452.....	338, 341	LDF357N.....	292
						K12453.....	340, 341	LDF357T.....	292
						K12454.....	338, 341	LDF359B.....	292
						K12455.....	340, 341	LDF359N.....	292
						K12456.....	340, 341	LDF359T.....	292
						K12457.....	332, 333, 334, 335, 340, 341		
						K12458.....	340, 341		
						K12459.....	332, 333, 334, 335, 340, 341		
						K12500.....	287, 340		
						K12649.....	343		
						K12650.....	343		
						K12651.....	343		
						K12653.....	343		
						K12653C.....	343		
						K12654.....	343		
						K12655.....	343		
						K12657.....	343		
						K21241.....	343		
						K21241B.....	343		
						K50600.....	22, 34		
						K50607.....	34		
						K60430.....	32		
						K70079.....	342		
						L			
						L05328.....	516		
						L05329.....	516		
						L05779.....	516		
						L1.....	282		
						L176-47P.....	526		
						L1B.....	282		
						L1G.....	282		
						L1RB.....	282, 567		
						L1RG.....	282, 567		

INDEX

BY PRODUCT NUMBERS

P/N	pg no.	P/N	pg no.	P/N	pg no.	P/N	pg no.	P/N	pg no.
LDF360B	292	LX10	327, 329, 331	MT0850EN09CBPC	117	MT2800EN18CCAC	118	PKG 98	236
LDF360N	292	LX11	329	MT0850EN09CBPN	118	MT2800EN18CCAN	118	PLD50	78, 303
LDF360T	292	LX16	327, 329	MT0850EP09CBPC	119	MT3050IN18CCAC	118	PLD70	78
LDF451B	292	LX17	327, 329, 331	MT0850EP09CBPN	119	MT3050IN18CCAN	118	PLDE36	80, 81
LDF452B	292	LX18	327, 329	MT0850IN09C1PC	117	MT3200EN18CCAC	118	PLDE48	80, 81
LDF461T	292	LX19	327, 329, 331	MT0850IN09C1PN	117	MT3200EN18CCAN	118	PLM100	72, 303
LDF462T	292	LX20	327, 329, 331	MT0850IP09C1PC	118	MT3500IN18CCAC	118	PLM125	72
LG45	331	LX205	329	MT0850IP09C1PN	118	MT3500IN18CCAN	118	PLM150	72, 303
LL10PM	321, 323	LX209	327, 329	MT0999EN09CBPC	117	MT3600EN18CCAC	118	PLM175	72
LL206N	325	LX25	327, 329	MT0999EN09CBPN	118	MT3600EN18CCAN	118	PLM200	72
LL209	321, 323, 325, 331	LX26	327, 329	MT0999EP09CBPC	119	MT4000EN18CCAC	118	PLM300	72
		LX5000G	30	MT0999EP09CBPN	119	MT4000EN18CCAN	118	PM0500NACC3BXN	115
LL209PMG	321	LX5000GG	30	MT0999IN09C1PC	117	MT4050IN18CCAC	118	PM0500NACC3PXN	115
LL23PM	317, 319, 321, 323, 327	LX509	327	MT0999IN09C1PN	117	MT4050IN18CCAN	118	PM0500PACC3BXN	115
		LX802	59	MT0999IP09C1PC	118	MT4500EN18CCAC	118	PM0500PACC3PXN	115
LL25PM	321, 323	LX820	354	MT0999IP09C1PN	119	MT4500EN18CCAN	118	PM0750NACC3BXN	115
LL505G	30	LX8202	59	MT1010EN09CBPC	117	MT4500IN18CCAC	118	PM0750NACC3PXN	115
LL505GG	30	LXC1	329	MT1010EN09CBPN	118	MT4500IN18CCAN	118	PM0750PACC3BXN	115
LL505PM	29	LXC110	326, 329	MT1010EP09CBPC	119	MT5000IN18CCAC	118	PM0750PACC3PXN	115
LL505PMG	29	LXD10	327, 329	MT1010IN09C1PC	117	MT5000IN18CCAN	118	PM1000NACC3BXN	115
LLA20G	321, 323, 326	LXLATCH	354	MT1010IN09C1PN	117			PM1000NACC3PXN	115
LLA40G	321	LXLID2	354	MT1010IP09C1PC	118	O		PM1000PACC3BXN	115
LLB20G	321	LXPIN	354	MT1010IP09C1PN	119	OVA2	355	PM1000PACC3PXN	115
LLB25PM	321, 323, 326	LXU145N	326, 329	MT1200EN09CBPC	117	P		PM1250NACC3BXN	115
LLB5G	321, 323, 326	LXU5G	329	MT1200EN09CBPN	118	P104-1	242	PM1250NACC3PXN	115
LLC1	325	LXU6	326, 329	MT1200EP09CBPC	119	P6E6C-204L-INT	198	PM1250PACC3BXN	115
LLC110PM	321	LXU8	327, 329	MT1200IN09C1PC	117	P6E6D-205L-INT	198	PM1250PACC3PXN	115
LLC120G	321, 323, 326	LXW22	327, 329, 331	MT1200IN09C1PN	117	P6E6H36-209	199	PM1500NACC3BXN	115
LLC135G	321, 323, 327			MT1200IP09C1PC	118	P6E6VS4H-209L	468	PM1500NACC3PXN	115
LLC55PM	323, 327	M		MT1200IP09C1PN	119	P6E6XS4H-209L	468	PM1500PACC3BXN	115
LLC55PMB	317, 319	MC55G	321	MT1430EN09CBPC	117	P6EA6D36-204	199	PM1500PACC3PXN	115
LLD05PM	321, 323	MODESO	354	MT1430EN09CBPN	118	P6EA6E36-205	199	PM1750NACC3BXN	115
LLD10PM	321, 323	Motor	513	MT1430EP09CBPC	119	P6EA6F36-206	199	PM1750NACC3PXN	115
LLD15PM	321, 323	MT0500EN09CBPC	117	MT1430IN09C1PC	117	P6EA6G36-207	199	PM1750PACC3BXN	115
LLD45	321	MT0500EN09CBPN	118	MT1430IN09C1PN	117	PA215GF	58	PM1750PACC3PXN	115
LLD45PM	321, 323	MT0500EP09CBPC	119	MT1430IP09C1PC	118	PA220GF	58	PM2000NACC3BXN	115
LLD50	321	MT0500EP09CBPN	119	MT1430IP09C1PN	119	PCCP100	354	PM2000NACC3PXN	115
LLD50PM	321, 323	MT0500IN09C1PC	117	MT1670EN09CBPC	117	PCD-1000	234	PM2000PACC3BXN	115
LLH07PM	321, 323, 326	MT0500IN09C1PN	117	MT1670EN09CBPN	118	PCLX80	354	PM2000PACC3PXN	115
LLU1	321, 323, 325, 331	MT0500IP09C1PC	118	MT1670EP09CBPC	119	PCLX820	354	PNCC00500E1162	16
		MT0500IP09C1PN	118	MT1670IN09CBPC	117	PHK2E6C-100L-INT	204	PNCC00750E1162	16
LLU10NG	321	MT0600EN09CBPC	117	MT1670IN09CBPN	117	PHK2E6D-101L-INT	204	PNCC00750E1262	16
LLU145N	321, 323, 325	MT0600EN09CBPN	118	MT1670IP09CBPC	118	PKG 115	236, 527	PNCC01000E1162	16
LLU145NG	321	MT0600EP09CBPC	119	MT1670IP09CBPN	119	PKG 161	236	PNCC01000E1260	16
LLU147G	321, 323, 327	MT0600EP09CBPN	119	MT1825EN09CBPC	117	PKG 184	224, 226, 236	PNCC01250E1160	16
LLU1PM	321, 323	MT0600IN09C1PC	117	MT1825EN09CBPN	118	PKG 184C	224, 226, 236	PNCC01500E1160	16
LLU5NG	325	MT0600IN09C1PN	117	MT1825EP09CBPC	119	PKG 188Z	71, 81, 84, 114, 199, 235, 371, 379, 406, 429	PNCC01500E1260	16
LLU5PM	321	MT0600IP09C1PC	118	MT1825IN09CBPC	117			PNCC01750E1160	16
LLU6	321, 323, 325	MT0600IP09C1PN	118	MT1825IN09CBPN	117	PKG 189	71, 84, 199, 235	PNCC02000E1160	16
LLU6G	321, 323	MT0715EN09CBPC	117	MT1825IP09CBPC	118	PKG 51	236	PNCC02000E1260	16
LLU8	323, 325	MT0715EN09CBPN	118	MT2000IN18CCAC	118	PKG 52	236	PNCC02000E1262	16
LLU81PM	321	MT0715EP09CBPC	119	MT2000IN18CCAN	118	PKG 53	236	PNCC00900E1160	19
LLU81PMG	321	MT0715EP09CBPN	119	MT2200EN18CCAC	118	PKG 56	236	PNCC00900E1260	19
LLU82	325	MT0715IN09C1PC	117	MT2200EN18CCAN	118	PKG 72	236	PNSD00350E1160	20
LLU8G	321, 323	MT0715IN09C1PN	117	MT2450IN18CCAC	118	PKG 73	236	PNSD00350E11X0	20
LLW22PM	321, 323	MT0715IP09C1PC	118	MT2450IN18CCAN	118	PKG 76	236	PNSD00400E1162	20
LLX120	321	MT0715IP09C1PN	118						

INDEX

BY PRODUCT NUMBERS

P/N	pg no.	P/N	pg no.	P/N	pg no.	P/N	pg no.	P/N	pg no.
PNSD00400E11X0	20	R03013	463	R131146	151	R161568	160	R172060Z	531
PNSD00400E1260	20	R03021Z	462, 463, 464	R131147	151	R161576	158	R172061Z	531
PNSD00600E1160	20	R03022	463, 464	R131148A	151	R161586	158	R172061ZB	531
PNSD00600E11X0	20	R03026	463	R131155	151	R161590	158	R172078	536
PNSD00600E1260	20	R03032	463	R131204	151	R161591	158	R172080Z	249, 531
PP1000	235	R03058	463	R131256A	151	R161593	158	R172082	249, 535
PP1010	235	R03086	464	R131316	151	R161594	158	R172086Z	532, 533, 534
PP1011	235	R03087	462, 463	R131360	151	R161596	158	R172087	249
PP1012	235	R03088	462, 463	R131371	151	R161599	158	R172091	533, 534
PP1014	235	R03099	464	R131388	151	R161606	158	R172093	249
PP1016	235	R03101Z	461, 464	R131398	151	R161616	158	R172134	532, 533, 535
PP1017	235	R03120	463	R131404	151	R161626	158	R172204	465
PP1018	235	R03121	463	R131410	151	R161634	158	R172210	533, 534
PP1019	235	R03128	462, 463	R131418	151	R161642	158	R172212	365
PP1075	235	R03132	461	R131442	151	R161644	158	R172212X	301, 365
PP1080	235	R03152	462	R131448	151	R161666	158	R172213	365
PP1081	235	R03153	462	R141036	161	R161676	158	R172213C	365
PP1082	235	R03154	462	R141046	161	R170070	366	R172213P	365
PP1200	235	R03160	462, 463	R141076	161	R170072	366	R172213PT	365
PP1682	235	R03161	462, 463	R141086	161	R171016	22, 248	R172213S	365
PP2075	235	R03183	461	R141106	161	R171022	248	R172213SC	365
PP3000	235	R06017	146	R141200	161	R171026	248	R172213X	365
PP3010	235	R07023	153	R151076	157	R171056	248	R172213XT	301, 365
PP3011	235	R111046	145	R151082	157	R171060	147	R172214	301, 365, 366,
PP3012	235	R111316	145	R151083	157	R171066	248		369, 460, 535
PP3013	235	R111342	145	R151186	157	R171070	248	R172221Z	365, 366,
PP4000	235	R111358	145	R151190	157	R171074	147		370, 535
PP4010	235	R111366	145	R151196	157	R171086	147	R172222Z	365, 366, 369,
PP4011	235	R111386	145	R151201	157	R171090	147		370
PP4012	235	R111556	145	R151226	159	R1710961	248	R172223Z	301, 365, 366,
PP4013	235	R111560	145	R151246	157	R171097Z	533, 534		369, 370, 460
PP4014	235	R111584	145	R151248	157	R171099	249	R172224XZ	301, 365, 366,
PP4075	235	R111616	145	R151276	159	R171130	147		370, 535
PP4200	235	R111626	145	R151306	159	R171215	248	R172225X	365, 366
PS10X10	237	R111646	145	R151716	159	R171218	248	R172226X	365, 366, 367
PS10X5E	237	R121026	148	R161004	158	R171230	248	R172226XF	366
PS10X6E	237	R121106	148	R161018	158	R171240	248	R172232X	365
PS10X8E	237	R121126	148	R161025	158	R171919	535	R172235	536
PS6X3E	237	R121166	148	R161046	158	R172007	534	R172240Z	535
PS6x4E	237	R121186	148	R161056	158	R172008W	531, 532,	R172248Z	533
PS6X5E	237	R121196	148	R161094	158		533, 534	R172253Z	533
PS6X6	237	R121216	148	R161116	158	R172009Z	531, 532, 533,	R172256Z	532, 533, 534
PS8X4E	237	R121230	148	R161126	158		534, 536	R172258	249, 534
PS8X5E	237	R121232	148	R161150	158	R172020	531, 536	R172262Z	532
PS8X6E	237	R131016	151	R161160	158	R172023Z	531	R172263Z	532, 536
PS8X8	237	R131020	151	R161178	158	R172032Z	356, 359, 531	R172264XL	532
		R131021	151	R161180	158	R172033Z	356, 359, 531	R172264Z	532
		R131037	151	R161182	158	R172034Z	531	R172269	532
		R131046	151	R161185	158	R172036Z	165, 249,	R172272Z	532, 533, 534,
R01023	462, 463	R131048	151	R161200	158		356, 359, 365, 366,		536
R01045	460, 465	R131066	151	R161202	158		367, 369, 370, 531,	R172274Z	532, 533, 534
R01052	533, 534	R131074	151	R161203	158		532, 533, 534, 535	R172276	249, 536
R01066	465	R131075	151	R161204	158	R172037	249, 531, 533	R172283	249
R01074	462, 463	R131076	151	R161216	158	R172048B	533	R172288	249, 531,
R01075	462, 463	R131078	151	R161286	158	R172050	465		533, 534, 535
R02006	462, 463	R131079	151	R161302	158	R172052	531, 532,	R172305	249, 435,
R02009	462, 463	R131106	151	R161566	160		533, 534		437, 439
R03012	463								

INDEX

BY PRODUCT NUMBERS

P/N	pg no.	P/N	pg no.	P/N	pg no.	P/N	pg no.	P/N	pg no.
R172313	536	R172523	68	R181096	146	R201302	464	R211516	149, 460
R172316	249	R172535	68	R181156	146	R201350	162	R211518	149, 460
R172317	533, 534	R172540	69, 366	R181200	146	R201388	162	R211536	460
R172319Z	533, 534	R172545	68	R181206	146	R201392	162	R211600	460
R172321	533	R172555WH	68	R181216	146	R201398	162	R220006	165
R172323	249, 531	R172560	69, 367	R181226	146	R201408	462, 464	R220008	165
R172324	249, 536	R172562	69, 368	R181268	146	R201409	464	R22001Z	463, 464
R172324NS	249, 532	R172605	367, 369	R181269	146	R201420	464	R22006	153
R172327	301, 366, 368	R172608	367	R181416	146	R201421	464	R22007	153
R172331	534	R172610DG	366	R181436	146	R201426	464	R22010Z	165, 465
R172351	165, 249	R172612	366	R181446	146	R201446	464	R22011	165, 465
R172367	249	R172624	367	R181486	146	R201451	463, 464	R22025	153
R172370	366, 368	R172627	249	R18608	460	R201456	462, 464	R22054	153
R172374	366, 369, 535	R172628	536	R18648	460	R201458	462, 463	R221026	146
R172375	366, 369, 535	R172633	366	R18650	460	R201466	464	R221030	146
R172385	366	R172638	366	R18651	460	R201470	464	R221036	153
R172385A	369	R172639	366	R18654	460	R201472	464	R221042	153
R172385D	535	R172653	149, 460	R18655	460	R201476	461, 462, 463, 464	R221046	153
R172386	366	R172654	460	R18656	460	R201486	464	R221054	153
R172387	366	R172660	368	R18680	460	R201490	464	R221056	146
R172388	366	R172661	368	R18682	460	R201492	464	R221126	153
R172389	366	R172662	69, 368	R18706Z	531	R201496	462, 463, 464	R22113	368
R172392	366, 367, 465, 532, 536	R172664	68	R18729B	536	R201498	464	R221136	153
R172393	366, 367, 465, 536	R172665X	368	R18754	249	R201500	463, 464	R221156	153
R172399	370	R172666	68	R18761	531	R201526	464	R221166	153
R172400	370	R172668	68	R18819	536	R201536	464	R221218	165
R172401	370	R172670	68	R18854	370	R201540	461, 464	R221220	165
R172406	370	R172674	68	R18855	147, 536	R201556	464	R221222	165
R172421	366	R172679	366	R18902	536	R201557Z	462, 463, 464	R221224	165
R172428	366	R172682	368	R191046	152	R201558	464	R221270	147, 161
R172435	535	R172684	366, 367	R191066	152	R201566	462, 463	R221298	165
R172439	535	R172686	368	R191088	152	R201606	463	R221300	165
R172451	370	R173213	299, 300, 364	R191090	152	R201626	463	R221400	165
R172452	69, 366	R173214	299, 300, 364	R191091	152	R201696	461	R230200	154
R172457	370	R173215	299, 300, 363, 364, 373	R191092	152	R201716	164, 461	R230300	154
R172465	367	R173216	299, 300, 363, 364, 373	R191095	152	R201718	164, 461	R230400	154
R172467	367, 369	R173217	299, 300, 363, 364, 373	R191101	152	R201756	463, 464	R230500	154
R172468	367, 369	R173428	365, 366	R191104	152	R201766	464	R230800	154
R172469	367, 369	R173431	368	R191106	152	R201776	462, 463, 464	R230900	154
R172470	367, 369	R173434	365, 366, 368	R191116	152	R201778	462, 463, 464	R231100	154
R172471	367, 369	R173435	366, 369	R19128	164	R201780	463, 464	R231200	154
R172472	367, 369	R173435	366, 369	R191206	153	R211036	149	R231400	154
R172473	367, 369	R173572	362	R191216	153	R211046	149	R231700	154
R172474	367, 369	R173573	362	R191256	153	R211084	149	R232600	154
R172475	367, 369	R173576	362	R191296	153	R211086	149	R233700	154
R172477	367	R173577	362	R191302	153	R211087	149	R233800	154
R172479	367, 369	R173578	362	R191306	152	R211100	164	R233900	154
R172480	367, 369	R173578	362	R191380	152	R211206	460	R234000	154
R172483	367, 369	R175009	535	R201108	162	R211216	460	R234100	154
R172502J	68	R175013	532	R201112	162	R211256	149, 460	R234200	154
R172503	68	R175251	535	R201126	163	R211260	460	R234500	154
R172503C	68	R178671	299	R201146	164	R211286	149	R234700	154
R172504B	68	R178672	299	R201156	164	R211406	149	R234800	154
R172505	68	R181016	146	R201276	163	R211426	149	R234900	154
R172505C	68	R181026	146	R201286	163	R211432	149	R235100	154
		R181046	146	R201296	163	R211436	149	R235200	154
		R181086	146	R201298	163			R235300	154

INDEX

BY PRODUCT NUMBERS

P/N	pg no.	P/N	pg no.	P/N	pg no.	P/N	pg no.	P/N	pg no.
R270422	536	S11207	516	SWB1	291	U30-22SS	514, 515	U9-228AZ	494, 495, 501
R270484	535	S16767	516	SWN	291	U30-355043	490	U9-229Z	527
R270531	535	S22351	516			U30-542SS	501, 506, 524, 525, 526	U9-265	514, 515, 517
R33017	370	S22353	516	T		U30-60ZP	517	U9-266	429
R36002	465	S22356	516	T10B	570	U30-64SS	527	U9-285	527
R36003	465	S22357	516	T10BK	570	U30-692SS	501, 506, 524, 525, 526	U9-359	372, 494, 501, 525, 527
R36004	465	S23488	516	T10DG	570	U30-72SS	514, 515, 517	U9-362	371, 380, 494, 546, 547
R36006	465	S23566	516	T10G	570	U30-73ZP	514, 515, 517	U9-366	564
R36009	465	S23619	516	T10W	570	U30-74SS	501, 502, 506, 511, 523, 524, 525, 548	U9-369	548
R36013	465	S28574	516	T16B	570	U30-75SS	506	U9-373Z	506, 524, 525
R36016	465	S32014	516	T16BK	570	U30-77SS	519	U9-374Z	494, 495, 501, 506, 524, 525
R36017	465	S32015	516	T16DG	570	U30-918SS	494, 495, 501, 502	U9-375	524
R36018	465	S7D75	82	T16G	570	U30-919SS	506, 524, 525	U9-389	526
R36019	465	S7M120	70	T16W	570	U30-922SS	494	U9-46	518, 519
R36020	465	S7M400	70	T24	570	U36-105SS	564	W	
R36021	465	S7MD60	84	T26	570	U36-106SS	457	WC203-52SS	457
R36022	465	S7MD72	84	T29	570	U36-38SS	524	WC2-8P	564
R36023	465	S7S50	93	T40BBE	290	U36-38ZP	514, 515, 519	WC30-84	552, 553
R36024	465	S8D110	82	T40BBK	290	U37-3/8P	304, 374	WC36-22	494, 501, 502
R36025	465	S8M150	70	T40BDG	290	U43-21SS	495	WC36-350122	495
R36026	465	S8M500	70	T40BG	290	U43-11SS	526, 527	WC37-386P	390
R36027	465	S8S70	93	T40BW	290	U43-12SS	469, 470, 478, 492, 493, 498, 506, 509, 516, 524, 525	WC37-503P	564
R36028	465	SK	567	T40FB	290	U43-12ZP	514, 515, 517	WC78-39T	526
R36030Z	465	SK5V	355	T40FBK	290	U43-13SS	516	WC78-40T	526, 546
R36031	465	SKB	567	T40FDG	290	U43-21SS	494, 501, 506, 524, 525	WC78-41T	526
R36033	465	SKC	567	T40FG	290	U43-22SS	501	WC78-84P	390
R36046	465	SKR	567	T40FNB	290	U43-41SSZ	495, 501, 527	WC8-126Z	371, 390
R38004	150	SKTU	567	T40FNBK	290	U43-62SS	506, 524, 525	X	
R38006	150	SL1DW	291	T40FNDG	290	U65-42A	514, 515, 517	XFM1BK	355
R38007	465	SL2D	291	T40FNG	290	U78-123PT	526	XFM20	355
R38008	150	SL2DW	291	T40FNW	290	U78-57DT	516, 518, 519	XFM3BK	355
R38010	150	SL2DW3	291	T40FW	290	U78-57SSS	514, 515	Z	
R38011	150	SR200HD	112	T6EXT	570	U78-59D	516, 518	ZBR12160	520, 521
R38012	150	SR200LP	112	TMRLX	355	U78-60ZPS	406, 429	ZBR12170	520, 521
R38013AZ	150, 562	SR200NA	112	TS5L	355	U78-820P	73, 79, 303, 372, 378, 564	ZBR12200	520, 521
R38013B	150, 562	SR333HD	112	U		U78-820P3	302, 305	ZBR12210	520, 521
R38014	150	SR333LP	112	U109-433SS	514, 515, 517	U78-830PT	526	ZBR12270	520, 521
R38016	150	SR333NA	112	U109-93SS	526	U78-858P	564	ZBR26910	521
R38024	150	SR400HD	112	U11-196PSZ	371, 494, 495	U78-920P	494, 495	ZBR39320	520, 521
R38030	150	SR400LP	112	U11-197P	114	U78-920PZ	388, 400, 406, 429, 501, 506, 508, 524, 525, 527, 547	ZBR39330	520, 521
R500012	145	SR400NA	112	U11-200PSZ	363, 371, 373, 395, 494, 495	U78-941ZPV	514, 515, 517	ZBR39340	521
R500013	145	SRCF20160E1160	21	U17-568	501, 506, 524, 525, 526	U9-359	495	ZBR39350	521
R500070	152	SRCF20190E1160	21	U17-920P	502	U9-362	495	ZBR39360	521
R500072	152	SRCF20190E1260	21	U17-920PZ	388, 400, 406, 429, 501, 506, 508, 524, 525, 527, 547	U9-105	518	ZBR43810	521
RCS1	46, 49, 51, 59, 349, 352, 354	SRCF20190E13X0	21	U212-252DS	371, 380, 390	U9-171	518, 519	ZBR43920	520, 521
RLYHTR	349, 352, 354	SRCF20220E1160	21	U212-68T	517	U9-199	526	ZBR46760	234
RLYLX	59, 354	SRCF20220E1260	21	U30-74SS	495	U9-226Z	302, 303, 399, 406		
RLYLX3HP	53, 59, 354	SRPLD0500E1162	18	U30-922SS	495				
RLYLX3HP	53, 59, 354	SRPLD0500E1262	18						
RLYLXD	53, 354	SRPLM1000E1162	17						
RLYNC	354	SRPLM1000E1262	17						
RLYSC	59, 354	SRPLM1000E13X2	17						
RLYSC3HP	59, 354	SRPLM1500E1162	17						
RYALX	59, 354	SRPLM1500E1262	17						
		SRPLM1500E13X0	17						
		SRPLM1500E1262	17						
		SRPLM2000E1260	17						
		SWB	291						
S									
S04757	516								

WARRANTY INFORMATION

Product Catalog 2022

LIMITED WARRANTY

You've always been able to count on the quality and long service life of Pentair products. We use the very best standards of workmanship, materials, and manufacturing processes to deliver value and peace of mind. Please review this document for details of general warranty terms and conditions and visit www.pentair.com/warranty for information regarding the coverage duration and any possible warranty exceptions for your specific pool and spa equipment. Pentair offers:

- **LIMITED WARRANTY:** Pentair warrants its products to be free from defects in material and/or workmanship for a period of sixty (60) days (parts only) from the original date of purchase and/or installation. Customer agrees to prepay all shipping charges to Pentair.
- **EXTENDED WARRANTY:** To receive a product extended warranty (longer than 60 days from the original date of installation), customer must:
 1. Register the product;
 2. Provide a copy of the sales receipt; and
 3. Provide a copy of the installation invoice, provided by the qualified installer, within 60 days of installation (if required). Certain products do not require qualified installation but still require product registration and copy of the sales receipt to receive the extended warranty.
- **TRADEGRADE WARRANTY:** TradeGrade products must be purchased from a retail store (brick and mortar), pool builder or pool service company. If purchased online (via internet) the product will only receive a sixty (60) day limited warranty.
- **ECOMMERCE (EC) WARRANTY:** Products purchased from an Authorized Pentair Online Reseller receive a one (1) year (parts only) warranty from the date of purchase. To receive an eCommerce warranty, customer must:
 1. Register the product, and
 2. Provide a copy of the sales receipt

GENERAL WARRANTY TERMS AND CONDITIONS

DENIAL OF WARRANTY CLAIM

A warranty claim may be denied under the following circumstances:

1. Damage caused by careless handling, improper repackaging, or shipping.
2. Damage due to misapplication, misuse, abuse or failure to operate equipment as specified in the owner's manual.
3. Damage caused by failure to install products as specified in the owner's manual.
4. Damage due to unauthorized product modifications or failure to use Pentair original replacement parts.
5. Damage caused by negligence, or failure to properly maintain products as specified in the owner's manual.
6. Damage caused by failure to maintain water chemistry in conformity with the standards of the swimming pool industry for any length of time.
7. Damage caused by water freezing inside the product.
8. Accidental damage, fire, acts of God, or other circumstances outside the control of Pentair.

PENTAIR WARRANTY OBLIGATIONS

Should a defect in workmanship and/or material in any item covered by this warranty become evident during the term of the warranty, then upon the customer following the procedures set forth below, Pentair will, at its sole option, repair or replace such product or part of equal value, in lieu of repair.

Pentair is not, however, responsible under this warranty for any cost of shipping or transportation of the product or parts thereof to or from the Technical Service Department. Also, Pentair is not liable for any loss of time, inconvenience, incidental expenses such as telephone calls, labor or material charges incurred in connection with the removal or replacement of the equipment, or any other incidental or consequential damages.

The above mentioned warranties are void if the product is repaired or altered in any way by any persons, agents or representatives other than those authorized by Pentair. Expendables including, but not limited to refrigerant, recovery of refrigerant, or transportation for components are not covered under this limited warranty. Reasonable vehicle trip and evaluation charges may be assessed by a Pentair service representative. Some states do not allow the exclusion or limitation of incidental or consequential damages, so the above limitation or exclusion may not apply to you.

All extended warranties are applicable to the original owner only, beginning on the date of installation and are not enforceable by any third party.

WARRANTIES BY OTHERS

Some Pentair products incorporate components manufactured by other manufacturers. Some of these manufacturers provide warranties in addition to the warranty provided by Pentair herein. In all such cases, a copy of the third party manufacturer's warranty will be provided with the product. To the extent protection provided under any such third party warranty exceeds the Limited Warranty provided herein, the Customer will have to contact the specific manufacturer for the additional protection.

NO OTHER WARRANTIES

To the maximum extent permitted by applicable law, Pentair disclaims all other warranties, either expressed or implied, including, but not limited to, implied warranties of merchantability and fitness for a particular purpose, with regard to the product(s), part(s) and/or any accompanying written materials.

PROCEDURE FOR OBTAINING PERFORMANCE

In order to obtain the benefits of this warranty, the consumer who made the original retail purchase must contact the Pentair Technical Service Department as soon as possible after discovery of the product related issue, but in no event later than the expiration date of the respective warranty periods provided herein. Upon receipt of this communication, Pentair will promptly notify the customer of the address to which the product may be shipped. The customer shall then ship the product, freight prepaid, to the address indicated, together with a "RETURN GOODS AUTHORIZATION" form obtained from Technical Service and a brief description of the problems encountered. Unauthorized returns will not be accepted. Freight must be prepaid by customer.

WARRANTIES OR REPRESENTATIONS BY OTHERS

No third party has any authority to make any warranties or representation concerning Pentair or its products. Accordingly, Pentair is not responsible for any such warranties or representations.

OTHER RIGHTS

This warranty gives you specific legal rights and you may also have other rights, which vary from state to state.

SOLE WARRANTY

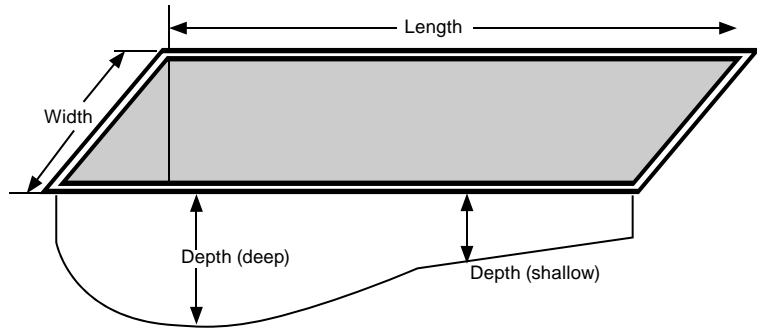
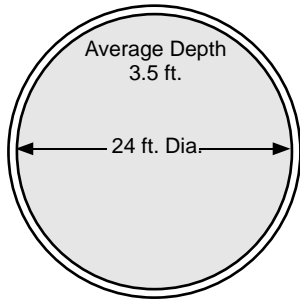
Supersedes all previous warranty publications.

ENGINEERING DATA

Product Catalog 2022

ENGINEERING DATA

ESTIMATING TOTAL GALLONS IN A POOL OR SPA



$$\text{Radius}^2 \times 3.14 \times \text{A.D.} \times 7.5 = \text{Gallons}$$

$$12 \times 12 \times 3.14 \times 3.5 \times 7.5 = 11,869 \text{ Gals.}$$

$$\text{Dia.} \times \text{Dia.} \times \text{Av Dp} \times 5.9 = \text{Gallons}$$

$$24 \times 24 \times 3.5 \times 5.9 = 11,894 \text{ Gals.}$$

Gal.cu.ft.	
Rectangle:	7.5
Oval:	6.7
Kidney:	7.0

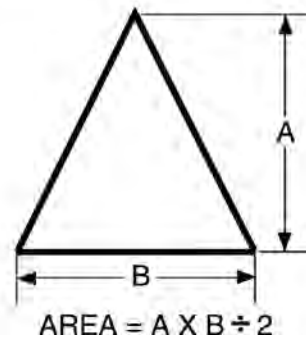
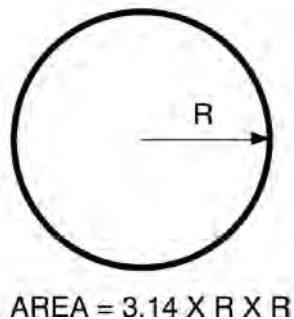
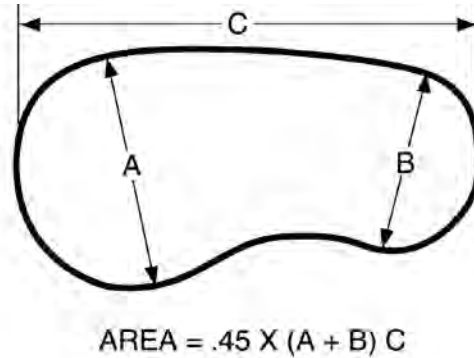
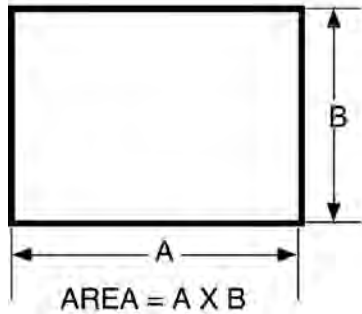
$$\text{Formula A: Length} \times \text{Width} \times \text{Average Depth} \times \text{Gal.cu.ft.} = \text{Gallons}$$

Example:

Pool Length	=	40 ft.
Pool Width	=	20 ft.
Shallow Depth	=	3 ft.
Deep Depth	=	+8 ft.

Total Depth	=	11 ft.
-------------	---	--------

Using formula A: $40 \times 20 = 800 \text{ sq. ft.}$, $800 \times 5.5 = 4,400 \text{ cubic ft.}$, $4,400 \times 7.5 = 33,000 \text{ gallons}$



ENGINEERING DATA

UNITS OF MEASURE

UNITS OF LENGTH

UNIT	INCH	FOOT	YARD	METER
INCH	1.0	.0833	.0278	.0254
FOOT	12.0	1.0	.333	.305
YARD	36.0	3.0	1.0	.9144
METER	39.37	3.281	1.094	1.0

UNITS OF AREA

UNIT	SQUARE INCH	SQUARE FOOT	SQUARE YARD	SQUARE METER
SQUARE INCH	1.0	.00694	.000772	.000645
SQUARE FOOT	144.0	1.0	.1111	.0929
SQUARE YARD	1,296.0	9.0	1.0	.836
SQUARE METER	1,550.0	10.76	1.196	1.0

UNITS OF VOLUME

UNIT	U.S. GALLON	IMPERIAL GALLON	CUBIC FEET	POUNDS OF WATER	CUBIC METERS
U.S. GALLON	1.0	.833	.1337	8.33	.003785
IMPERIAL GALLON	1.2	1.0	.1605	10.0	.004546
CUBIC FEET	7.481	6.232	1.0	62.37	.0283
POUNDS OF WATER	.12	.09996	.0160	1.0	.00045
CUBIC METERS	264.2	220.0	35.31	2,204.0	1.0

UNITS OF FLOW

UNIT	U.S. G.P.M.	IMPERIAL G.P.M.	CUBIC FEET/SECOND	CUBIC FEET/HOUR	LITERS/SECOND
U.S. G.P.M.	1.0	.833	.00223	8.02	.0631
IMPERIAL G.P.M.	1.2	1.0	.00268	9.63	.0757
CUBIC FT. PER SECOND	448.8	374.0	1.0	3.600	28.32
CUBIC FT. PER HOUR	.1247	.104	.00028	1.0	.0078
LITERS PER SECOND	15.85	13.21	.0353	127.13	1.0

ENGINEERING DATA

UNITS OF MEASURE

UNITS OF PRESSURE

UNIT	INCHES OF WATER	FEET OF WATER	POUNDS PER SQUARE INCH	INCHES OF MERCURY
INCHES OF WATER	1.0	.0833	.0361	.0736
FEET OF WATER	12.0	1.0	.433	.883
POUNDS PER SQUARE INCH	27.72	2.31	1.0	2.04
INCHES OF MERCURY	13.596	1.133	.4906	1.0

PRESSURE AND EQUIVALENT FEET HEAD OF WATER

$$H = \frac{\text{pressure (psi)} \times 144}{62.4}$$

Lbs. per Sq. In.	Feet Head	Lbs. per Sq. In.	Feet Head	Lbs. per Sq. In.	Feet Head	Lbs. per Sq. In.	Feet Head
1	2.31	20	46.18	120	276.42	225	519.23
2	4.62	25	57.72	125	288.46	250	576.92
3	6.93	30	69.27	130	300.00	275	634.62
4	9.24	40	92.36	140	323.08	300	692.31
5	11.54	50	115.38	150	346.15	325	750.00
6	13.85	60	138.46	160	369.23	350	807.69
7	16.16	70	161.53	170	392.31	375	865.38
8	18.47	80	184.62	180	415.38	400	923.08
9	20.78	90	207.69	190	438.46	500	1153.85
10	23.09	100	230.77	200	461.54	1000	2307.69
15	34.63	110	253.85				

ENGINEERING DATA

UNITS OF MEASURE

EQUIVALENT VALUES OF PRESSURE 1 in. of Mercury (hg) = 1.13 ft. of water

Inches of Mercury	Feet of Water	Pounds per Sq. In.	Inches of Mercury	Feet of Water	Pounds per Sq. In.	Inches of Mercury	Feet of Water	Pounds per Sq. In.
1	1.13	0.49	11	12.45	5.39	21	23.78	10.3
2	2.26	0.98	12	13.57	5.87	22	24.88	10.8
3	3.39	1.47	13	14.70	6.37	23	26.00	11.28
4	4.52	1.95	14	15.82	6.86	24	27.15	11.75
5	5.65	2.44	15	16.96	7.35	25	28.26	12.25
6	6.78	2.93	16	18.09	7.84	26	29.40	12.73
7	7.91	3.42	17	19.22	8.33	27	30.52	13.23
8	9.04	3.91	18	20.35	8.82	28	31.65	13.73
9	10.17	4.40	19	26.47	9.31	29	32.80	14.22
10	11.30	4.89	20	22.60	9.80	29.929	33.947	14.6969

WEIGHT

1 U.S. GALLON OF WATER = 8.33 LBS.

1 CUBIC FOOT OF WATER = 62.35 LBS.

1 KILOGRAM (LITRE) = 2.2 LBS.

1 IMPERIAL GALLON = 10.0 LBS.

CURRENT CAPACITY (AMPS) OF WIRE *

Three wires in cable, ambient temp. 86°F

WIRE SIZE	AMPERES	
	COPPER	ALUMINIUM
14	20	—
12	25	20
10	30	25
8	40	30
6	55	40
4	70	55
3	85	65
2	95	75
1	110	85
0	125	100

* Wire size is minimum for amperes listed.

EFFICIENCY

EFFICIENCY	POWER OUTPUT POWER INPUT
MOTOR EFFICIENCY	$\frac{\text{HP OUTPUT}}{\text{K.W. INPUT}}$
PUMP EFFICIENCY	$\frac{\text{G.P.M.} \times \text{TOTAL HEAD (F.T.)}}{3960 \times \text{BHP}}$
OVERALL PLANT EFFICIENCY (OPE)	$\frac{\text{G.P.M.} \times \text{TOTAL HEAD (F.T.)}}{5310 \times \text{K.W. INPUT}}$

Amperage =	$\frac{\text{Watts}}{\text{Volts}}$
Watts =	Volts x Amperage
WHP =	Water Horsepower (output HP of pump) = $\frac{\text{g.p.m} \times \text{total head}}{3960}$
HP input (to motor) =	KW input x 1.341
Total Head =	Discharge head + Pumping water level (ft)
Discharge Head =	Discharge Pressure (PSI) x 2.31 ft. of head

ENGINEERING DATA

HEATER SIZING INFORMATION

Pool heaters can be sized by the volume method for maintenance heating or for spot heating. For many days during the swimming season, the sun maintains a desirable pool temperature of 78–80°F. and the pool requires no supplemental heating. However, during cooler periods a pool will usually lose 2–4°F. per day.

To get the water to the desired temperature, you could choose a smaller heater and run it during the daily filter cycle of 4–6 hours every day. This would be sufficient to overcome a slight temperature drop between filter cycles, but it would mean leaving the heater on every day. If you don't use the pool daily, it's more economical to spot heat the pool, say for the weekend. In this case, you could choose a larger heater which will heat the pool faster, and then can be turned off between uses. With either, maintenance heating or spot heating, you need to determine the size of heater to select and the time it will require to heat the pool.

**MASTERTEMP AND MAX-E -THERM MODEL
REQUIRED TO HEAT POOL IN 24 HOURS**

Pool Sizing *

Pool Volume (Gallons)										
° F Temperature Change/24 Hrs.	Model 175	Model 200	Model 250/250HD	Model 300	Model 400/400HD	Model 175	Model 200	Model 250/250HD	Model 300	Model 400/400HD
	Pool Capacity in Gallons					Pool Surface Area in Sq. Ft. at 5.5' Depth				
5	85,210	97,383	121,729	146,075	194,766	2,069	2,364	2,955	3,546	4,727
10	42,605	48,691	60,864	73,037	97,383	1,034	1,182	1,478	1,773	2,364
15	28,403	32,461	40,576	48,692	64,922	690	788	985	1,182	1,576
20	21,303	24,346	30,433	36,519	48,691	517	591	739	887	1,182
25	17,042	19,477	24,346	29,216	29,216	414	473	591	710	945
30	14,201	16,230	20,288	24,345	32,461	345	394	493	591	788
35	12,173	13,912	17,390	20,868	27,824	296	338	423	507	675
40	10,651	12,173	15,216	18,260	24,346	259	295	369	443	591

**MASTERTEMP AND MAX-E -THERM MODEL
REQUIRED TO HEAT THE SPA 30°F IN A GIVEN TIME PERIOD**

Spa Sizing *

Spa Volume (Gallons)									
Model	200	300	400	500	600	700	800	900	1000
Minutes for 30° F Temperature Rise (Heater Input in 1000 BTU/HR)									
174	21.0	31.0	40.0	50.0	61.0	71.0	81.0	91.0	102.0
200	18.0	27.0	35.0	44.0	53.0	62.0	71.0	80.0	89.0
250/250HD	15.8	23.5	30.8	38.5	46.5	54.3	62.0	70.0	77.8
300	13.5	20.0	26.5	33.0	40.0	46.5	53.0	60.0	66.5
400/400HD	9.0	13.0	18.0	22.0	27.0	31.0	35.0	40.0	44.0

Note: The chart is based on a 30° F (16.6° C) temperature rise, discounting losses and only based on heat required to raise temperature in minutes. Two-year limited warranty. See warranty for details.

* ASME models available, Please see your Pentair Aquatic Systems Representative for details.

* For Commercial Heaters 500,000 BTU/hr and over please contact factory for sizing.

$$\begin{aligned}
 \text{TIME IN HOURS} &= \frac{\text{Vol. in Gal.} \times 8.34 \text{ lb./gal.} \times \text{temprise}}{\text{Heater BTUH input} \times \text{efficiency of heater}} \\
 \text{POOL \& SPA} & \\
 \text{TIME IN MINUTES} &= \frac{\text{Vol. in Gal.} \times 8.34 \text{ lb./gal.} \times \text{temprise} \times 60}{\text{min}} \\
 \text{SPA} &= \frac{\text{Vol. in Gal.} \times 8.34 \text{ lb./gal.} \times \text{temprise} \times 60}{\text{min}}
 \end{aligned}$$

ENGINEERING DATA

HEATER SIZING INFORMATION

ETi 400 ASME HIGH EFFICIENCY HEATER MODEL
REQUIRED TIME TO TEMPERATURE RISE

° F Temperature Rise	Pool Volume (Gallons)									
	10,000	20,000	30,000	40,000	50,000	60,000	70,000	80,000	90,000	100,000
	Hours to Reach Temperature									
5	1.08	2.17	3.26	4.34	5.43	6.52	7.60	8.69	9.77	10.86
10	2.17	4.34	6.52	8.69	10.86	13.03	15.20	17.38	19.55	21.72
15	3.25	6.52	9.77	13.03	16.29	19.55	22.80	26.06	29.32	35.58
20	4.35	8.69	13.03	17.38	21.72	26.06	30.41	34.75	39.09	43.44
25	5.43	10.86	16.29	21.72	27.15	32.58	38.01	43.44	48.87	54.30
30	6.52	13.03	19.55	26.06	32.58	39.09	45.61	52.13	58.64	65.16
35	7.60	15.20	22.80	30.41	38.01	45.61	53.21	60.81	68.41	76.02
40	8.68	17.38	26.06	34.75	43.44	52.13	60.81	69.50	78.19	86.88
50	9.77	19.55	29.32	39.09	48.87	58.64	68.41	78.19	87.96	97.73
	10.87	21.72	32.58	43.44	54.30	65.16	76.02	86.88	97.73	108.59

ENGINEERING DATA

HEATER GAS SUPPLY AND PIPE SIZING INFORMATION

When installing any Pentair or Sta-Rite pool or spa heater, it is very important to have the proper amount of gas supplied to all Pentair or Sta-Rite Heaters for pools. Below, for your information, is a table which will assist you in selecting the correct size of piping for the installation.

When installing any gas appliance, it is very important to have the proper size gas meter and home pressure regulator installed. Once you have selected the correct size heater for the pool or spa, contact the local utility which supplies the gas and request a field review of the installation and have them install the proper size meter and proper size pressure regulator.

LOW PRESSURE, SINGLE STAGE PIPE SIZING FOR GAS LINE CONNECTIONS

4

Natural gas at 1000 BTU per Cubic Foot

Propane Gas at 2500 BTU per Cubic Foot

MODEL	1/2 in.		3/4 in.		1 in.		1-1/4 in.		1-1/2 in.		2 in.		2-1/2 in.	
	NAT	PRO	NAT	PRO	NAT	PRO	NAT	PRO	NAT	PRO	NAT	PRO	NAT	PRO
100 & 75	20 ft.	50 ft.	50 ft.	150 ft.	150 ft.	600 ft.	-	-	-	-	-	-	-	-
150	10 ft.	40 ft.	50 ft.	150 ft.	150 ft.	600 ft.	-	-	-	-	-	-	-	-
200	-	20 ft.	30 ft.	80 ft.	125 ft.	250 ft.	450 ft.	600 ft.	-	-	-	-	-	-
250	-	10 ft.	20 ft.	50 ft.	70 ft.	150 ft.	250 ft.	500 ft.	600 ft.	-	-	-	-	-
300	-	-	10 ft.	30 ft.	50 ft.	100 ft.	200 ft.	350 ft.	400 ft.	600 ft.	-	-	-	-
350	-	-	10 ft.	20 ft.	30 ft.	70 ft.	125 ft.	250 ft.	250 ft.	500 ft.	500 ft.	-	-	-
400	-	-	-	10 ft.	20 ft.	60 ft.	100 ft.	150 ft.	200 ft.	450 ft.	400 ft.	-	-	-
525	-	-	-	5 ft.	15 ft.	35 ft.	65 ft.	150 ft.	130 ft.	360 ft.	390 ft.	700 ft.	-	-
750	-	-	-	-	-	20 ft.	35 ft.	80 ft.	75 ft.	180 ft.	260 ft.	600 ft.	-	-
900	-	-	-	-	-	15 ft.	20 ft.	45 ft.	45 ft.	100 ft.	150 ft.	360 ft.	400 ft.	-

Gas Pressure	Model	Natural	Propane
		Inches W. C.	
Gas Pressure Requirements Pentair Water Heaters			
Maximum Inlet	CH	10	14
	STD	10	14
	TSI	10	N/A
	LN	10	N/A
Minimum Inlet	CH	6	12
	STD	6	12
	TSI	4	N/A
	LN	6	N/A
Manifold	CH	4	11
	STD	4	11
	TSI	2	N/A
	LN	4	N/A

Gas Pressure	Natural	Propane
	Inches W. C.	
Gas Pressure Requirements for MiniMax 75 & 100 Pentair Water Heaters		
Normal Altitudes (0–2500 ft. above Sea Level)		
Maximum Inlet	10	14
Minimum Inlet	5	12
Normal Manifold	4	11
High Altitudes (2500–7000 ft. above Sea Level)		
Maximum Inlet	10	14
Minimum Inlet	5	12
Normal Manifold	3	7

Gas Pressure	Model	Natural	Propane
		Inches W. C.	
Gas Pressure Requirements for MasterTemp, Max-E-Therm and ETi 400 Pentair Water Heaters			
Maximum Inlet	MT	14	14
Minimum Inlet	MT	4	4
Manifold	MT	-0.2 ± 0.1	-0.2 ± 0.1

Note: All readings must be taken while heater is operating. Any adjustments or readings made while heater is off will give incorrect readings and should not be used for evaluation of heater operation.

All Values are +/- 0.2 inch W. C.

ENGINEERING DATA

HEATER GAS SUPPLY AND PIPE SIZING INFORMATION

“RESIDENTIAL” PROPANE GAS 2 STAGE REGULATION

In many Propane gas line installations, the gas supplier and or installer will utilize a two stage regulation process whereby, at the supply tank, they will install the first stage gas regulator, which would be at a higher pressure, usually 10 psi. This higher pressure allows for much longer distance and in a much smaller pipe size. Then, within a short distance from the pool heater, generally around 24 inches, a second regulator, which is the second stage, would be installed and set at the required inlet pressure of the heater.

SEE “GAS PRESSURE REQUIREMENT CHART.”

Stage One “High Pressure” Gas Pipe Sizing				Stage Two “Low Pressure” Gas Pipe Sizing		
10 PSI @ 2500 BTU Per CU. FT.				Stage 2 set at 14 in. W.C.		
MAXIMUM EQUIVALENT PIPE LENGTH				MAXIMUM EQUIVALENT PIPE LENGTH		
Model	0 to 50 Feet	50 to 100 Feet	100 to 150 Feet	Model	0 to 10 Feet	10 to 20 Feet
75 through 400	1/2 in.	1/2 in.	1/2 in.	75 through 400	3/4 in.	3/4 in.

“RESIDENTIAL” NATURAL GAS 2 STAGE REGULATION

In many Natural gas line installations, the gas supplier and or installer will utilize a two stage regulation process whereby, at the street’s main gas supply, they will install the first stage gas regulator, which would be at a higher pressure. This higher pressure is usually set at 2 psi or 5 psi and can be run for long distances and in a much smaller pipe size. Then, within a short distance from the pool heater, generally around 24 inches, they will install a second regulator, which is the second stage. This second stage regulator would be set at the minimum operating pressure for the heater. For “Natural Gas Pentair Pool Heaters” the minimum is 7 inches W.C.

Stage One “High Pressure” Gas Pipe Sizing				Stage Two “Low Pressure” Gas Pipe Sizing		
2 PSI @ 1000 BTU Per CU. FT.				Stage 2 set at 7 in. W.C.		
MAXIMUM EQUIVALENT PIPE LENGTH				MAXIMUM EQUIVALENT PIPE LENGTH		
Model	0 to 20 Feet	20 to 90 Feet	90 to 200 Feet	Model	0 to 5 Feet	0 to 15 Feet
75 through 400	3/4 in.	1 in.	1-1/4 in.	75 through 300	3/4 in.	1 in.
				350 & 400	1 in.	1 in.

Stage One “High Pressure” Gas Pipe Sizing				Stage Two “Low Pressure” Gas Pipe Sizing		
5 PSI @ 1000 BTU Per CU. FT.				Stage 2 set at 7 in. W.C.		
MAXIMUM EQUIVALENT PIPE LENGTH				MAXIMUM EQUIVALENT PIPE LENGTH		
Model	0 to 50 Feet	50 to 100 Feet	100 to 200 Feet	Model	0 to 5 Feet	0 to 15 Feet
75 through 400	3/4 in.	3/4 in.	3/4 in.	75 through 300	3/4 in.	1 in.
				350 & 400	1 in.	1 in.

ENGINEERING DATA

BLOWER SIZING

HORSEPOWER

To Get This	Divide This	By This
Horsepower	Kwatts	0.746
Horsepower	Watts	746
Horsepower	Torque (ft. lbs.) X RPM	33000
Horsepower	Torque (ft. lbs.) X RPS	550
Horsepower required to pump water at a given rate to a given Height, assuming 100% eff. AKA Water Horsepower	GPM x TDH (ft.)	3960
	GPH X TDH (psi)	103000
Brake HP	Water HP	Pump eff.

AIR BLOWER SIZING GUIDE

BLOWER MOTOR SIZE	VOLTS	AMPS	MAXIMUM INCHES OF WATER DEPTH	JETS ONLY RECOMMENDED NUMBER OF JETS
1 HP	120V	6.6	35 in.	5–10
1-1/2 HP	120V	7.4	45 in.	9–15
2 HP	120V	9.3	55 in.	12–17
1 HP	240V	3.9	30 in.	4–9
1-1/2 HP	240V	4.3	40 in.	8–13
2 HP	240V	5.0	50 in.	12–17

BLOWER SIZING FORMULA

Measure total depth of water in spa (not total spa depth)

Add - 1 in. water for each 10 ft. of 2 in. air pipe

Add 1/2 in. water for each 90 deg. 2 in. elbow

Compare your total with maximum inches of water column and select that size or the next size higher blower than your total, in your selected voltage.

The number of holes in the air channel (both floor and seat) should be approximately 1.6 sq. in. total plus or minus .5

1/8 in. hole = .0123 sq. in.

3/16 in. hole = .0276 sq. in.

5/32 in. hole = .0192 sq. in.

1/4 in. hole = .0491 sq. in.

ENGINEERING DATA, FRICTION FLOW

FRICTION/FLOW CHART FOR SCHEDULE 40 RIGID PVC PIPE *

U.S. Gal. per min.	3/4 in. pipe		1 in. pipe		1-1/4 in. pipe		1-1/2 in. pipe		2 in. pipe		2-1/2 in. pipe		3 in. pipe		4 in. pipe		5 in. pipe		6 in. pipe		U.S. Gal. per min.
	Velocity feet per second	Loss in feet	Velocity feet per second	Loss in feet	Velocity feet per second	Loss in feet	Velocity feet per second	Loss in feet	Velocity feet per second	Loss in feet	Velocity feet per second	Loss in feet	Velocity feet per second	Loss in feet	Velocity feet per second	Loss in feet	Velocity feet per second	Loss in feet	Velocity feet per second	Loss in feet	
1	.71	.40	.40	.10	0.26	0.03															1
2	1.43	1.44	.80	.35	.51	.12	.36	.05													2
3	2.14	3.05	1.20	.75	.77	.25	.53	.10													3
4	2.85	5.19	1.60	1.28	1.03	.43	.71	.18													4
5	3.56	7.85	2.00	1.94	1.28	.65	.89	.27	.50	.07	.32	.02	.22	.01							5
6	4.28	11.01	2.41	2.71	1.54	.92	1.07	.38	.60	.09	.38	.03	.27	.01							6
8	5.70	18.75	3.21	4.62	2.05	1.56	1.43	.64	.80	.16	.51	.05	.36	.02							8
10	7.13	28.34	4.01	6.99	2.57	2.36	1.78	.97	1.00	.24	.64	.08	.45	.03							10
15	10.69	60.06	6.01	14.81	3.85	5.00	2.67	2.06	1.50	.51	.96	.17	.67	.07							15
20			8.02	25.24	5.13	8.52	3.56	3.51	2.00	.87	1.28	.29	.89	.12	.50	.03					20
25			10.02	38.16	6.41	12.88	4.45	5.31	2.51	1.31	1.60	.44	1.11	.18	.63	.04					25
30			12.03	53.48	7.70	18.06	5.34	7.44	3.01	1.83	1.92	.62	1.34	.26	.75	.06	.48	.02			30
35					8.98	24.03	6.24	9.89	3.51	2.44	2.24	.82	1.56	.34	.88	.08	.56	.03			35
40					10.26	30.77	7.13	12.67	4.01	3.13	2.57	1.06	1.78	.43	1.00	.11	.64	.04			40
45					11.54	38.27	8.02	15.76	4.51	3.89	2.89	1.31	2.00	.54	1.13	.13	.72	.05			45
50					12.83	46.51	8.91	19.16	5.01	4.72	3.21	1.60	2.23	.66	1.25	.16	.80	.05	.56	.02	50
60							10.69	26.85	6.01	6.62	3.85	2.24	2.67	.92	1.50	.23	.96	.08	.67	.03	60
70									7.01	8.81	4.49	2.98	3.12	1.23	1.75	.30	1.12	.10	.78	.04	70
80									8.02	11.28	5.13	3.81	3.56	1.57	2.00	.39	1.28	.13	.89	.05	80
90									9.02	14.03	5.77	4.74	4.01	1.95	2.25	.48	1.44	.16	1.00	.07	90
100									10.02	17.06	6.41	5.76	4.45	2.37	2.51	.59	1.60	.20	1.11	0.08	100
125											8.02	8.71	5.57	3.59	3.13	.88	2.00	.30	1.39	.12	125
150											9.62	12.20	6.68	5.03	3.76	1.24	2.41	.42	1.67	.17	150
175													7.79	6.69	4.38	1.65	2.81	.56	1.95	.23	175
200													8.91	8.56	5.01	2.11	3.21	.71	2.23	.29	200
225													10.02	10.65	5.64	2.63	3.61	.89	2.51	.37	225
250													11.13	12.95	6.26	3.19	4.01	1.08	2.78	.44	250
275															6.89	3.81	4.41	1.29	3.06	.53	275
300															7.52	4.48	4.81	1.51	3.34	.62	300
325															8.14	5.19	5.21	1.75	3.62	.72	325
350															8.77	5.95	5.61	2.01	3.90	.83	350
375															9.39	6.77	6.01	2.28	4.18	.94	375
400															10.02	7.63	6.41	2.57	4.45	1.06	400
425																	6.81	2.88	4.73	1.19	425
450																	7.22	3.20	5.01	1.32	450
475																	7.62	3.54	5.29	1.46	475
500																	8.02	3.89	5.57	1.60	500
550																	8.82	4.64	6.12	1.91	550
600																	9.62	5.46	6.68	2.25	600
650																			7.24	2.61	650
700																			7.79	2.99	700
750																			8.35	3.40	750
1000																			11.13	5.79	1000

* Friction loss of water in feet per 100 feet length of pipe. Based on Williams & Hazen formula using constant 150.

* Recommended operating flow velocities indicated by boxed areas.

