

RESIN CROWN MOLDINGS

Architectural Bling Inc.

Dallas Design Community
4020 N MacArthur Blvd, Irving, TX 75038
(214) 613-2285 | www.ArchitecturalBling.com | info@ArchitecturalBling.com

HARDWOOD HYBRID CROWNS

MLD-156A

Sold Per L.F.

3-1/2" x 3/4" x Random Length

MLD-156B

Sold Per L.F.

6" x 7/8" x Random Length

MLD-156C

Sold Per L.F.

8-1/2" x 1-1/4" x Random Length

RESIN FLEX

MLD-156A+Flex

Sold Per L.F.

3-1/2" x 3/4" x (12' Max Length)

MLD-156B+Flex

Sold Per L.F.

6" x 7/8" x (12' Max Length)

MLD-156C+Flex

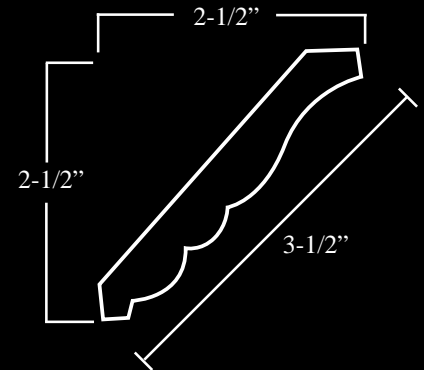
Sold Per L.F.

8-1/2" x 1-1/4" x (12' Max Length)



3-1/2" Wide Crown Moldings

(ALL MOLDINGS AVAILABLE IN FLEXIBLE RESIN FOR CURVES)



MLD-156A shown with optional insert MLD-135A

MLD-156A Sold Per L.F. 3-1/2" x 3/4" x Random Length

MLD-156Aflex Sold Per L.F. 3-1/2" x 3/4" x (12' Max Length)

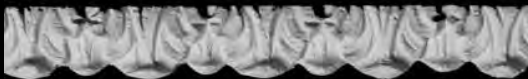
The moldings listed below are 5/8" wide and are designed to fit inside our 3-1/2" wide MLD-156A crown

19 Different Patterns to Choose From

MLD-102A



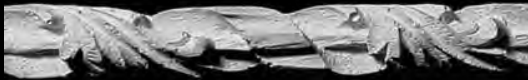
MLD-103A



MLD-105A



MLD-111A



MLD-113A



MLD-115A



MLD-119AL



MLD-121A



MLD-123A



MLD-124A



MLD-125A



MLD-126B



MLD-127A



MLD-135A



MLD-137A



MLD-139A



MLD-204A



MLD-205A



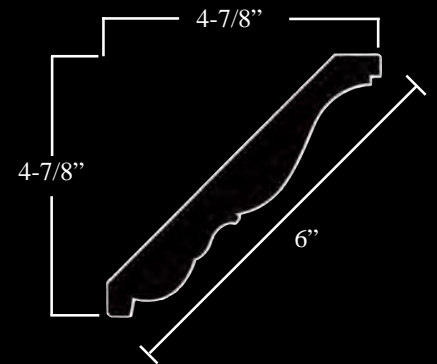
MLD-213A

6" Wide Crown Moldings

(ALL MOLDINGS AVAILABLE IN FLEXIBLE RESIN FOR CURVES)



MLD-156B shown with optional insert MLD-135C



MLD-156B Sold Per L.F. 6" x 7/8" x Random Lengths

MLD-156Bflex Sold Per L.F. 6" x 7/8" x (12' Max Length)

The moldings listed below are 1" wide and are designed to fit inside our 6" wide MLD-156B crown

14 Different Patterns to Choose From

MLD-102C



MLD-103C



MLD-105C



MLD-111C



MLD-114



MLD-119CL



MLD-121
MLD-121C



MLD-123C



MLD-135C



MLD-137C



MLD-139C



MLD-204C



MLD-212A



MLD-213C

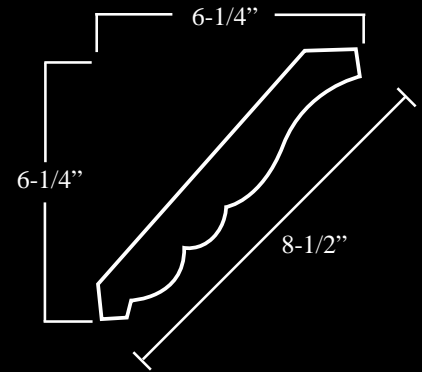
Choose your Molding Insert when you place your order

8-1/2" Wide Crown Moldings

(ALL MOLDINGS AVAILABLE IN FLEXIBLE RESIN FOR CURVES)



MLD-156C shown with optional insert MLD-135D



MLD-156C Sold Per L.F. 8-1/2" x 1-1/4" x Random Length
MLD-156Cflex Sold Per L.F. 8-1/2" x 1-1/4" x (12' Max Length)

The moldings listed below are 1-1/2" wide and are designed to fit inside our 8-1/2" wide MLD-156C crown.

15 Different Patterns to Choose From

MLD-102D



MLD-103D



MLD-105D



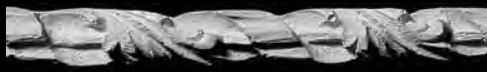
MLD-B-111C



MLD-B-116A



MLD-111D



MLD-117



MLD-119DL



MLD-123D



MLD-135D



MLD-142C



MLD-145B



MLD-204D



MLD-211A



MLD-213D



“EASY” CROWN MOLDINGS

“Easy” Crowns are a flexible “All Resin” crown molding that installs similar to a baseboard, but looks like a 45° angled crown. Traditional crown moldings are difficult and time consuming to mount. “Easy” Crown installs and cuts flat like a baseboard and is installed in a fraction of the time.



MLD-157A-2
2-1/4" x 1-1/2" x 8'

MLD-158A-3
3-1/4" x 2" x 8'

MLD-159A-4
4-1/2" x 2-3/4" x 8'



MLD-157B-2
2-1/4" x 1-1/2" x 8'

MLD-158B-3
3-1/4" x 2" x 8'

MLD-159B-4
4-1/2" x 2-3/4" x 8'



MLD-157C-2
2-1/4" x 1-1/2" x 8'

MLD-158C-3
3-1/4" x 2" x 8'

MLD-159C-4
4-1/2" x 2-3/4" x 8'



MLD-157D-2
2-1/4" x 1-1/2" x 8'

MLD-158D-3
1/4" x 2" x 8'

MLD-159D-4
3-1/2" x 2-3/4" x 8'

