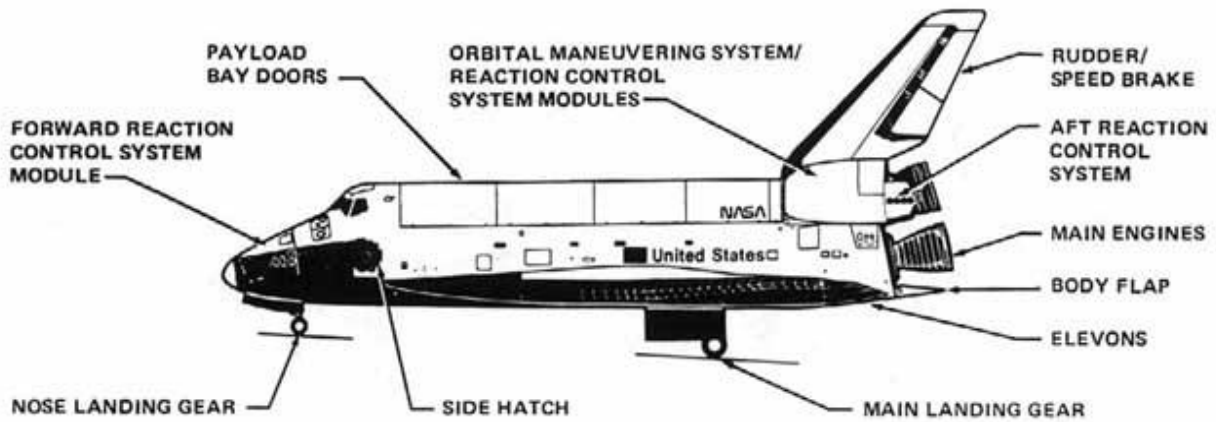
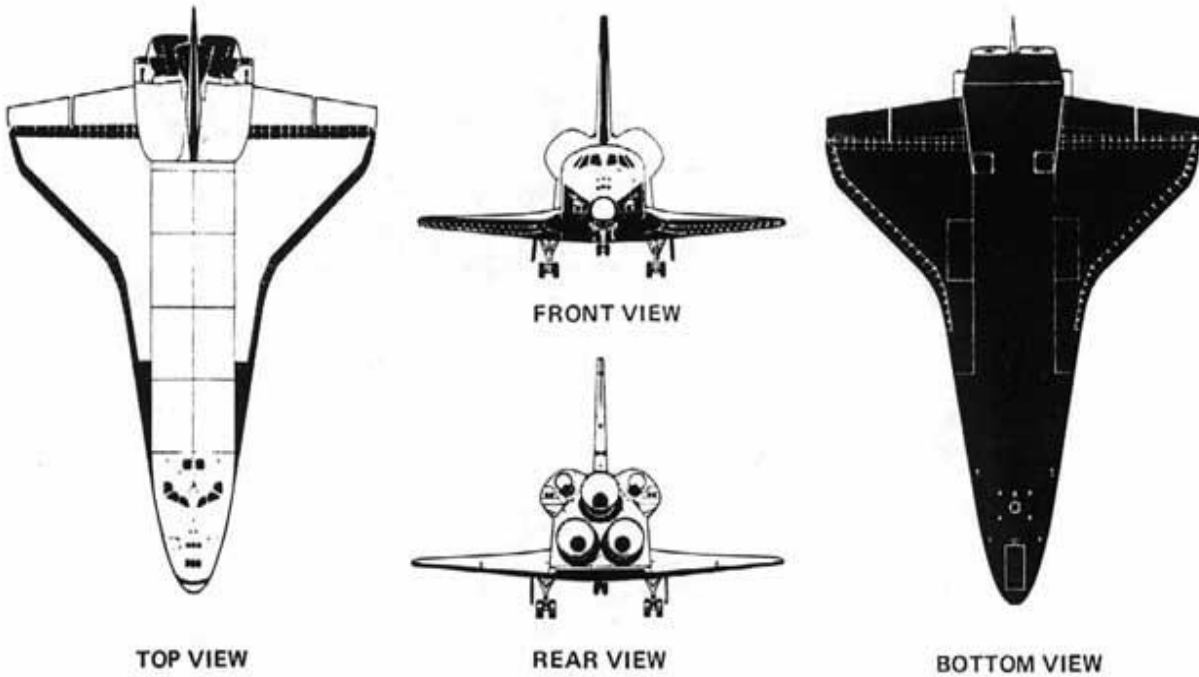


Space Shuttle System Schematics



DIMENSIONS AND WEIGHT

WING SPAN	23.79 m	(78.06 FT)
LENGTH	37.24 m	(122.17 FT)
HEIGHT	17.25 m	(56.58 FT)
TREAD WIDTH	6.91 m	(22.67 FT)
GROSS TAKEOFF WEIGHT		VARIABLE
GROSS LANDING WEIGHT		VARIABLE
INERT WEIGHT (APPROX)	74 844 kg	(165 000 LB)

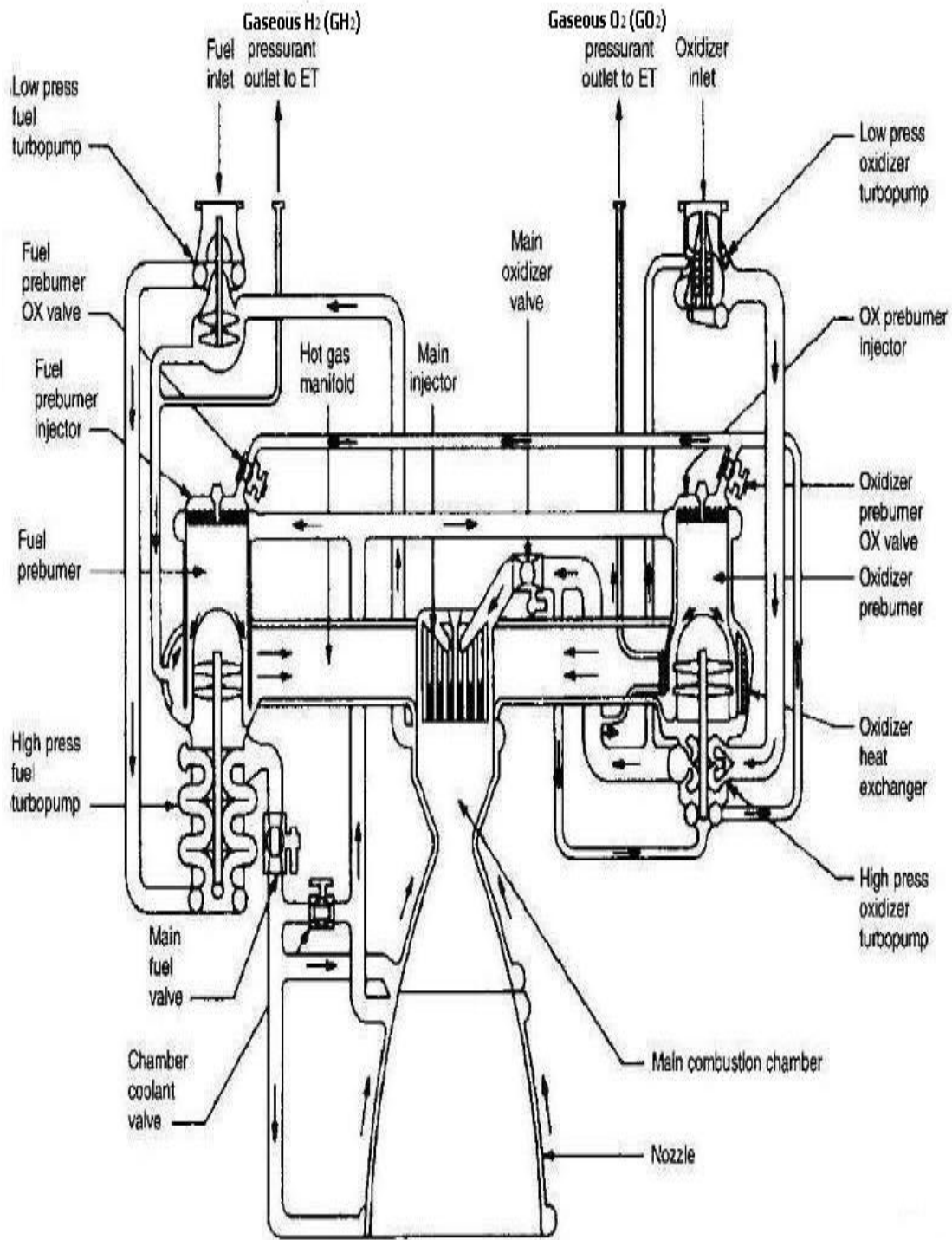
MINIMUM GROUND CLEARANCES

BODY FLAP (AFT END)	3.68 m	(12.07 FT)
MAIN GEAR (DOOR)	0.87 m	(2.85 FT)
NOSE GEAR (DOOR)	0.90 m	(2.95 FT)
WINGTIP	3.63 m	(11.92 FT)

System Schematic Directory

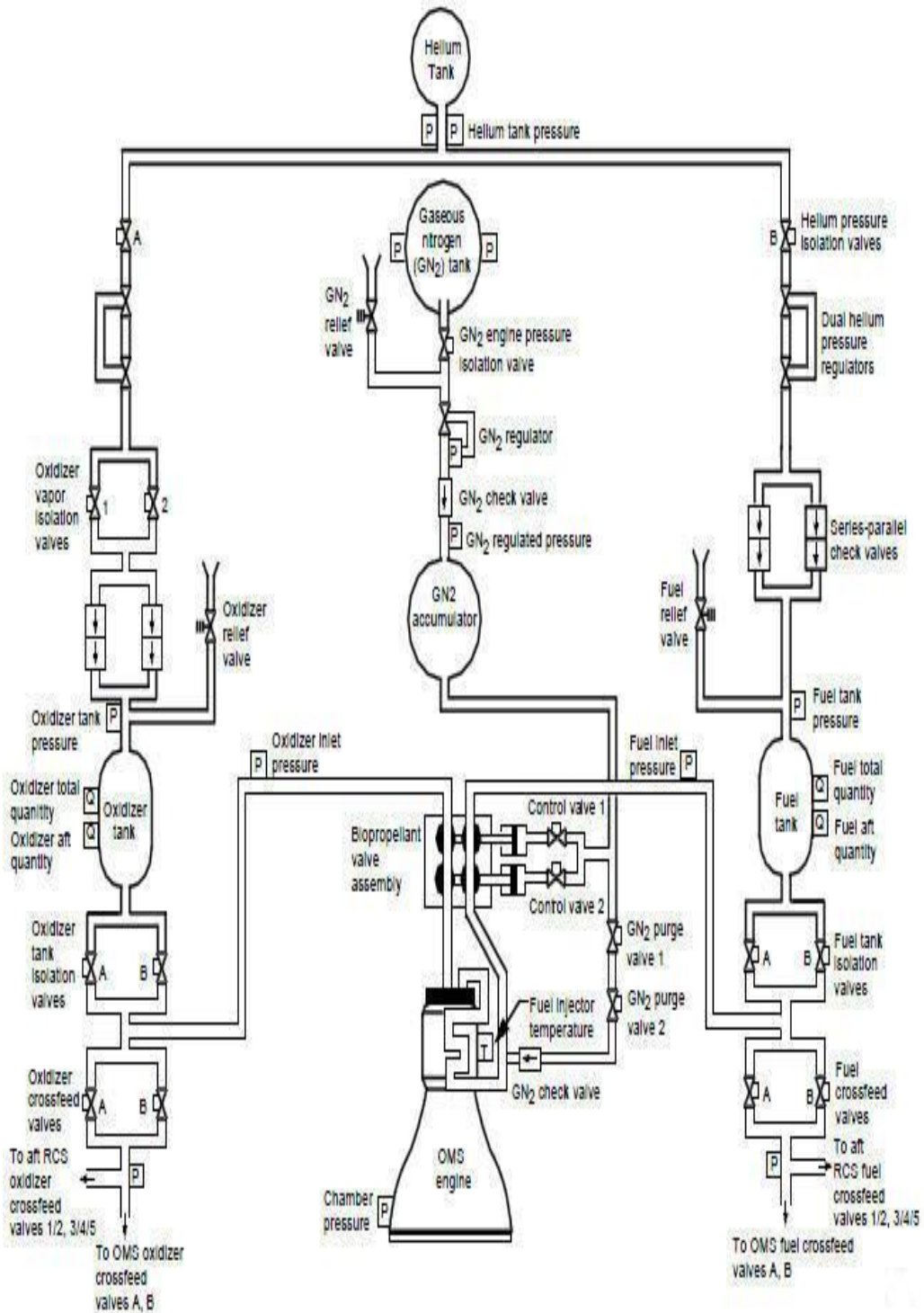
Main Engine Schematic	page 3
Orbital Maneuvering System Schematic	page 4
<ul style="list-style-type: none"> • Oxidation Vapor Isolation Valves 1 and 2 • Oxidation Tank Isolation Valves A and B • Oxidizer Cross-feed Valves A and B • Fuel Tank Isolation Valves A and B • Fuel Cross-feed Valves A and B • Control Valves 1 and 2 	
Reaction Control System Schematic	page 5
<ul style="list-style-type: none"> • Primary Regulator A and B • Secondary Regulator A and B • Leg Lines to Thrusters 1-5 • Oxygen Output Terminal Controller • RCS Manifolds 1-5 	
Electrical Power System Overview Schematic	page 6
Cryogenic Power Distribution System Schematic for Fuel Cells 1-3	page 7
<ul style="list-style-type: none"> • Cryogenic Oxygen System - Reaction Valves 1-3 • Cryogenic Hydrogen System - Reaction Valves 1-3 	
Electrical Power Distribution Schematics for Fuel Cells 1-3	page 8
<ul style="list-style-type: none"> • AC Power <ul style="list-style-type: none"> ○ Power Distribution Assemblies 1-3 ○ Power Control Assemblies 1-3 ○ Electrical AC Bus System 1-3 • DC Power <ul style="list-style-type: none"> ○ Power Distribution Assemblies 1-3 ○ Power Control Assemblies 1-3 ○ Electrical DC Bus System 1-3 	
General Purpose Computer 1-5 Data BUS Network	page 9
General Purpose Computer Functional Block Diagram	page 10

Main Engines



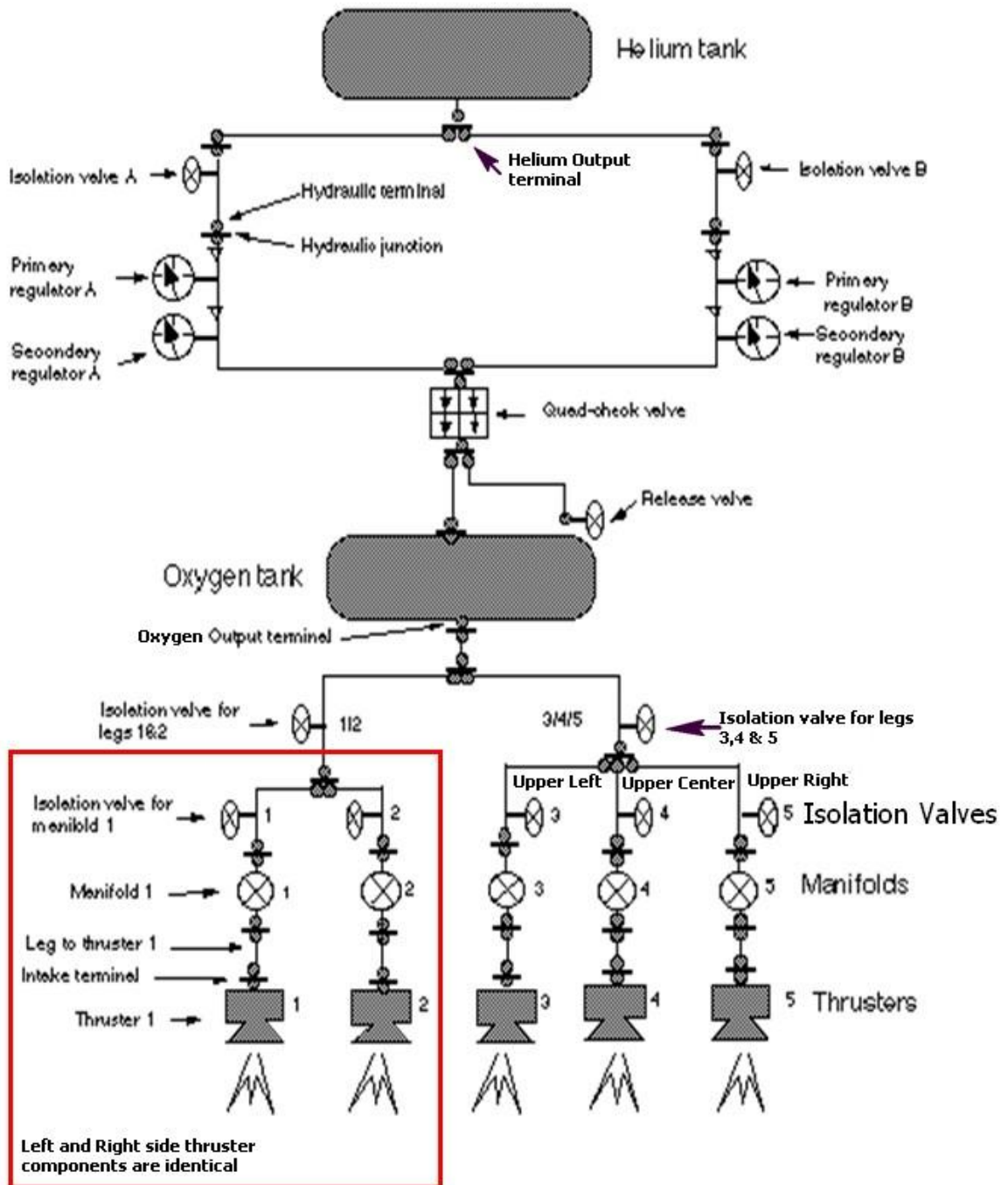
Main Engine Schematic

Orbital Maneuvering System

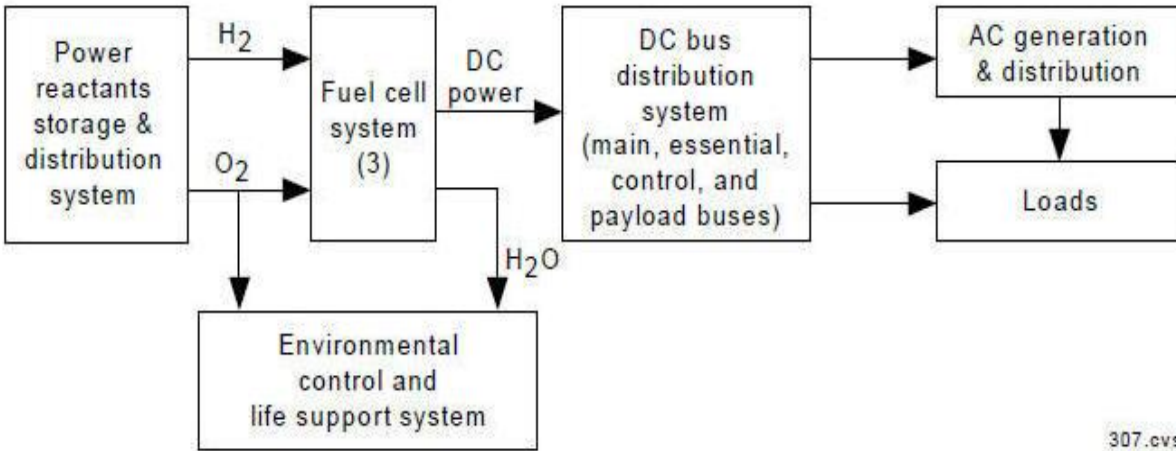


Orbital Maneuvering System Pressurization and Propellant Feed System for One Engine (other Engine Identical)

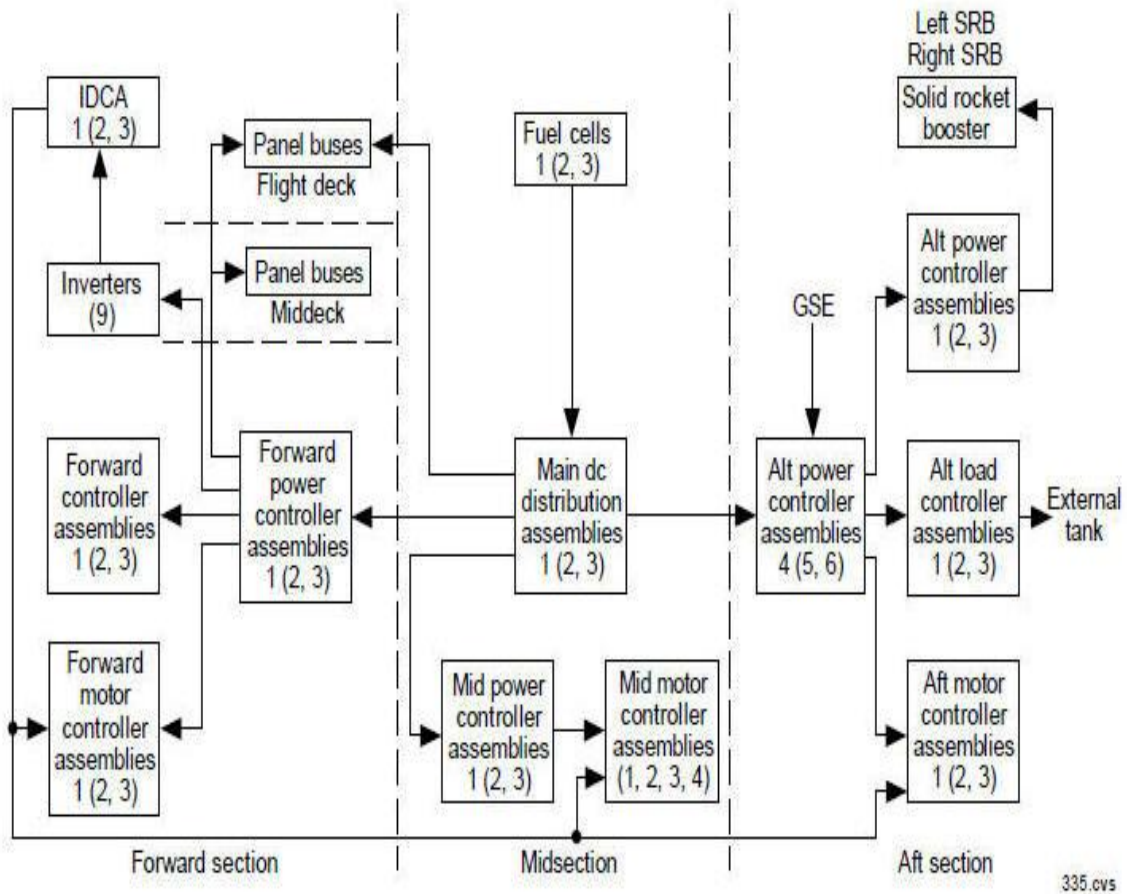
Reaction Control System Schematic



Electrical Power Systems Overview

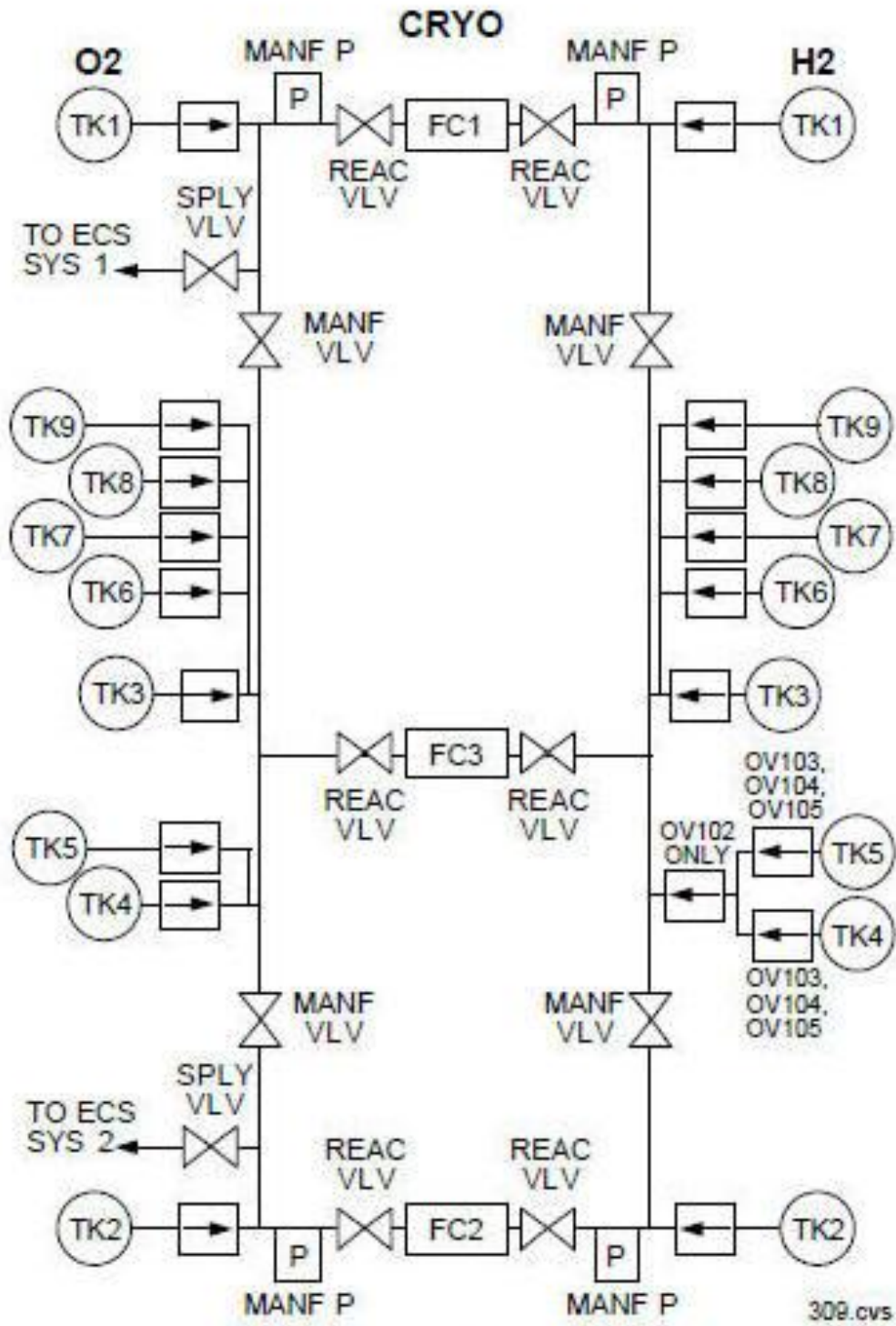


The Electrical Power System



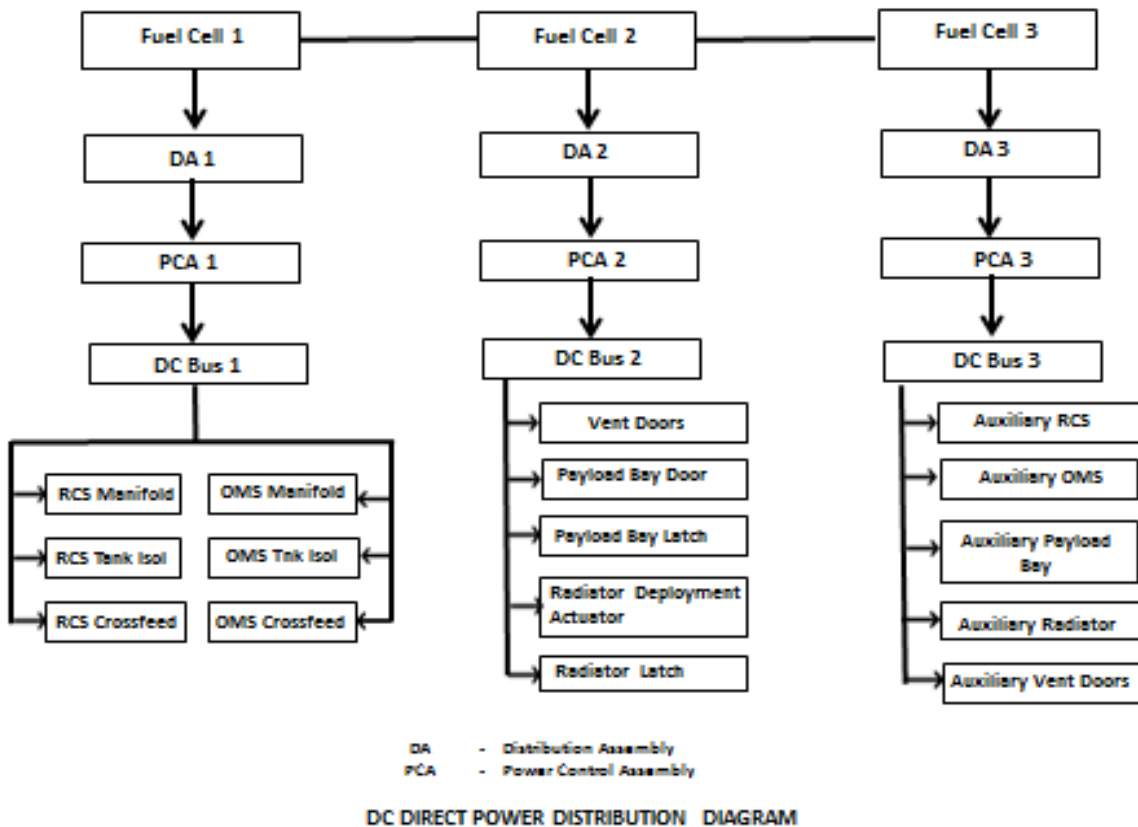
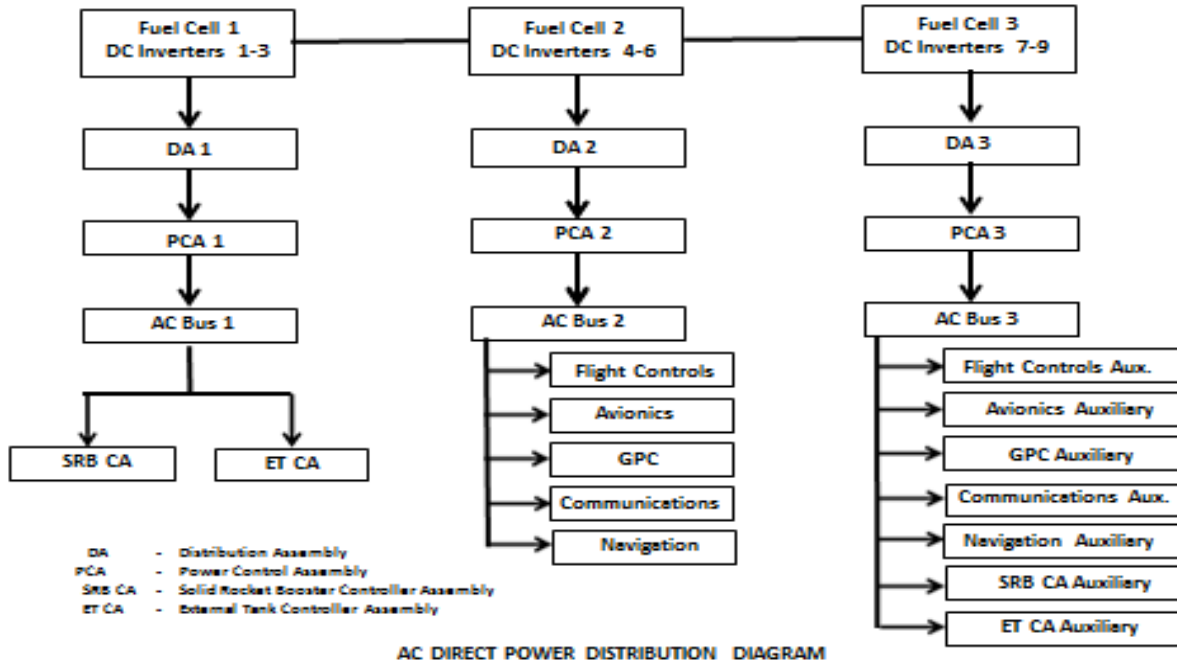
Electrical Power Distribution Block Diagram

Cryogenic Power Distribution System Schematic



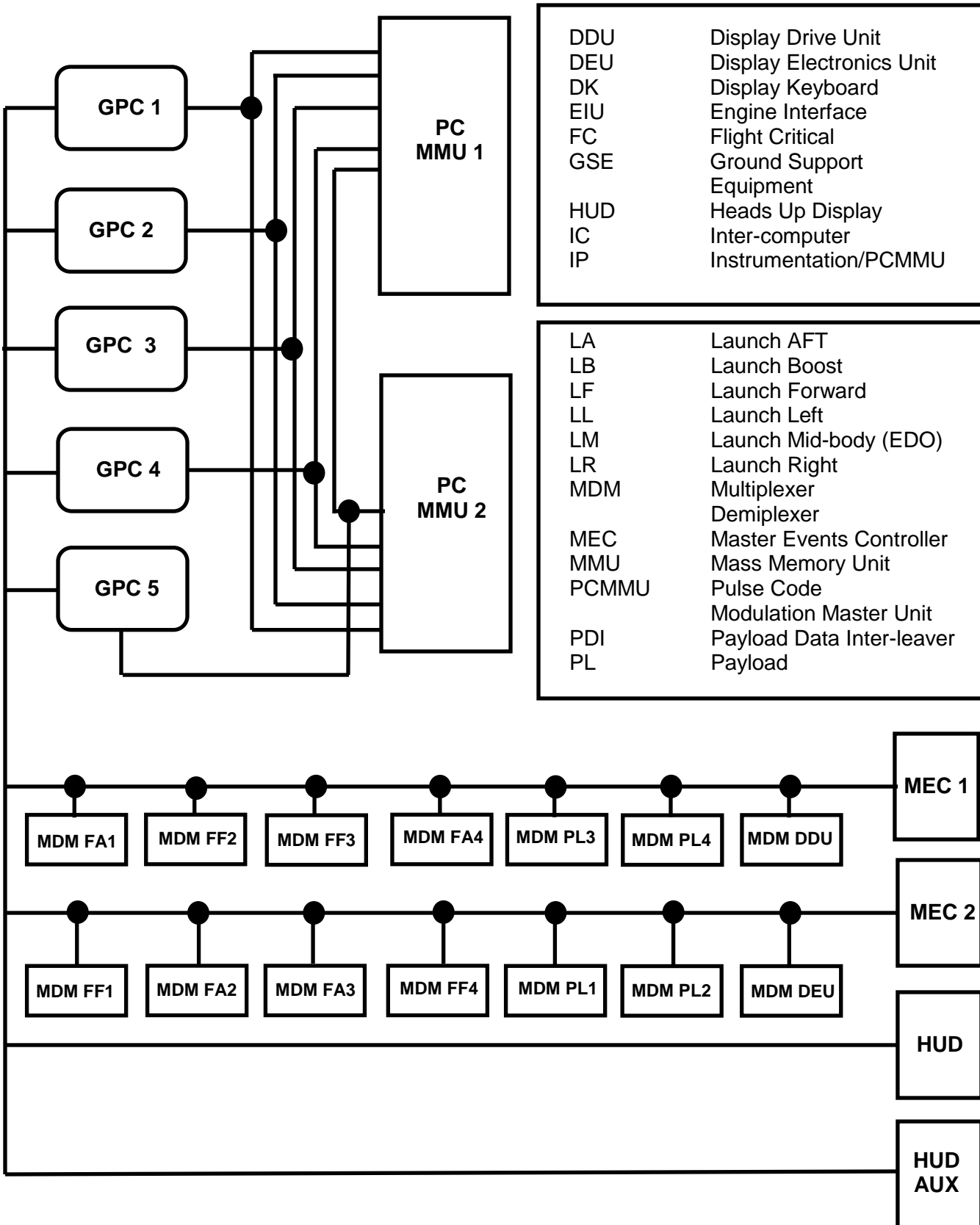
The PDRS System

Electrical Power Distribution Schematics

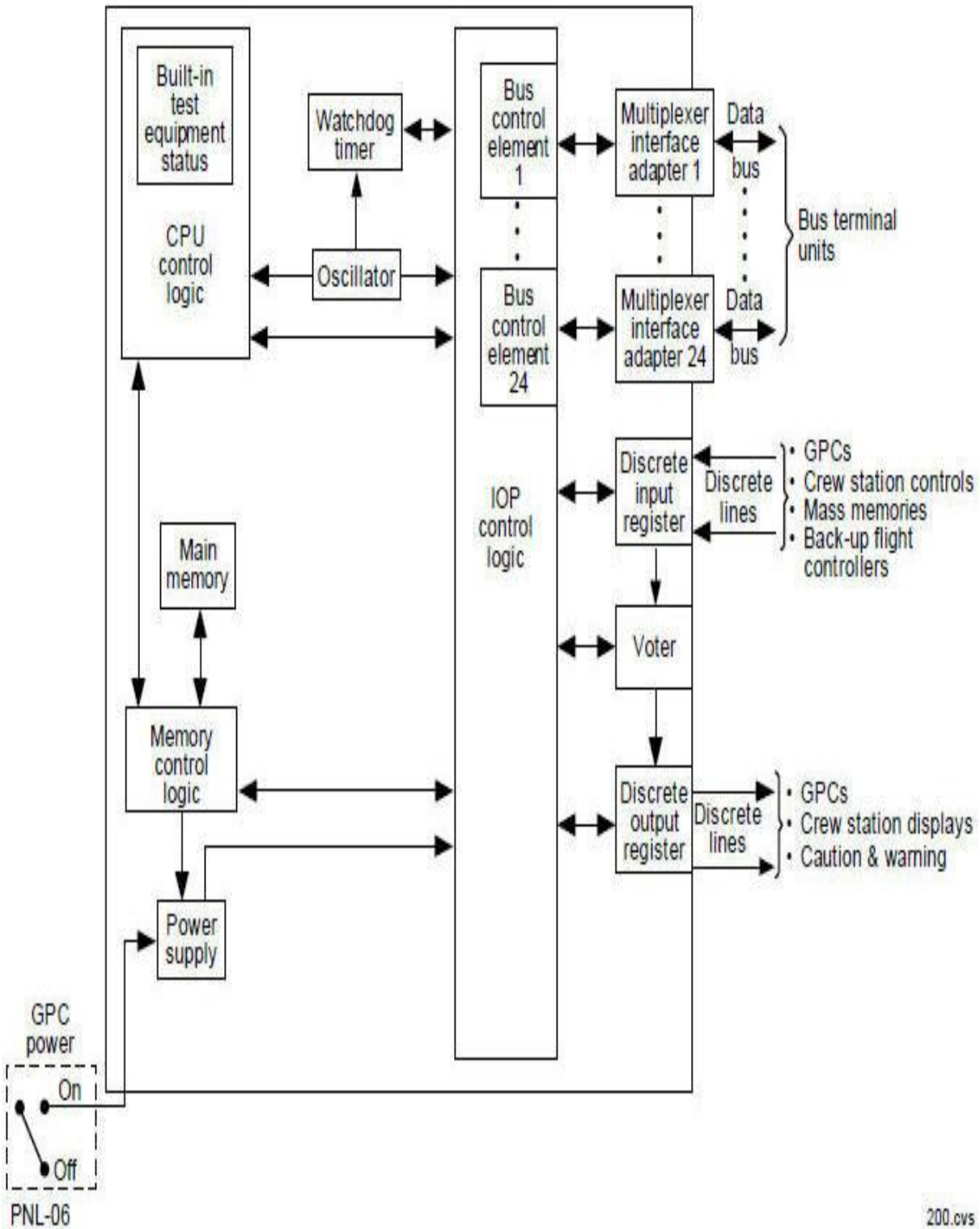


DATA BUS NETWORK

Version 3.0



General Purpose Computer Functional Block Diagram



General Purpose Computer Functional Block Diagram

200.cvs