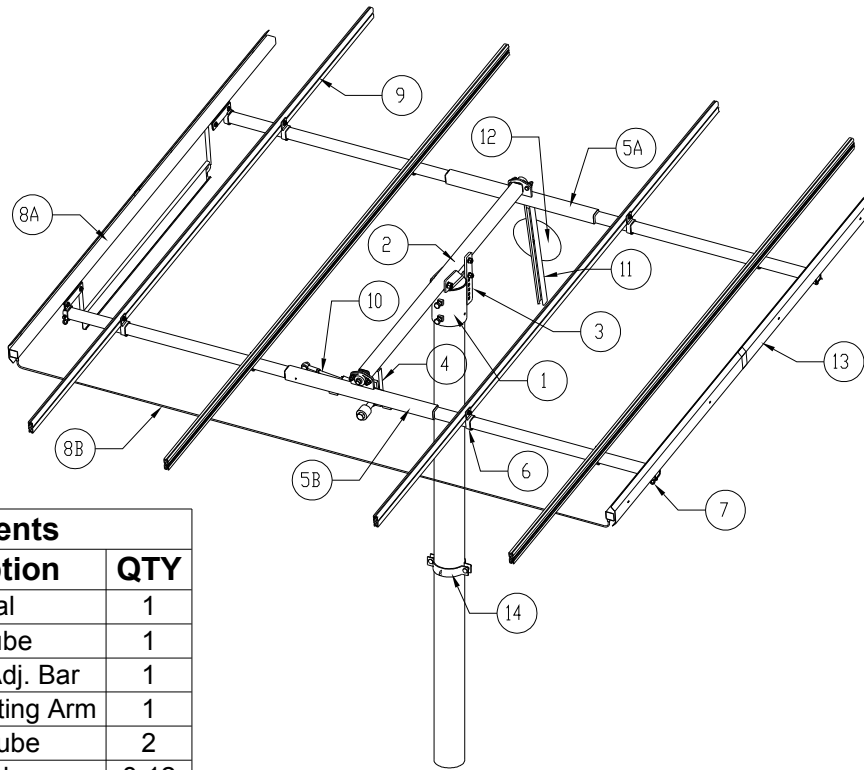


## UTRF-120 Component and Hardware List



<b>Components</b>		
<b>Part #</b>	<b>Description</b>	<b>QTY</b>
1	Gimbal	1
2	Axle Tube	1
3	Seasonal Adj. Bar	1
4	Shock Mounting Arm	1
5	Truss Tube	2
6	Rail Slider	8-12
7	Canister Slider	4
8A	Canister Set	1
8B	Transfer Tube	1
9	Mounting Rail	4-6
10	Cylinder	1
11	Counterweight Arm	1
12	25lb Counterweight	1
13	Shadow Plates	4
14	Storm Collar	1

<u><b>Component</b></u>	<u><b>Hardware Description</b></u>	<u><b>QTY</b></u>	<u><b>Location</b></u>
-------------------------	------------------------------------	-------------------	------------------------

<b>Gimbal</b>	3/4" x 2" Hex Bolt	2	<b>On Gimbal</b>
	3/4" x 5" Hex Bolt	1	<b>On Gimbal</b>
	3/4" Flat Washer	1	<b>On Gimbal</b>
	3/4" Hex Nut	1	<b>On Gimbal</b>
	3/4" Jam Nut	1	<b>On Gimbal</b>
	3/8" x 9" Hex Bolt	1	<b>Hardware Bag</b>
	3/8" Hex Nut	2	<b>Hardware Bag</b>
<b>Seasonal Adj. Bar</b>	5/8" x 4-1/2" Hex Bolt	1	<b>On Seasonal Bar</b>
	5/8" x 2" Hex Bolt	1	<b>On Seasonal Bar</b>
	5/8" Flat Washer	2	<b>On Seasonal Bar</b>
	5/8" Spring Lock Washer	2	<b>On Seasonal Bar</b>
	5/8" Hex Nut	2	<b>On Seasonal Bar</b>

<b><u>Component</u></b>	<b><u>Hardware Description</u></b>	<b><u>QTY</u></b>	<b><u>Location</u></b>
<b>Locking Bar</b>	3/4" x 3-1/2" Hex Bolt	1	<b>On Locking Bar</b>
	3/4" x 2-3/4" Hex Bolt	1	<b>On Locking Bar</b>
	1" (diameter) x 2-3/8" Spacer	1	<b>On Locking Bar</b>
	3/4" Hex Nut	2	<b>On Locking Bar</b>
	3/4" Spring Lock Washer	2	<b>On Locking Bar</b>
<b>Shock Hardware</b>	3/4" Rod End	1	<b>On Shock</b>
	3/4" Jam Nut	1	<b>On Shock</b>
	1" (diameter) x 1-1/2" Spacer	1	<b>Hardware Bag</b>
	0.5 mL Tube of Loctite - #242	1	<b>Hardware Bag</b>
<b>Bumper Bolt</b>	1" x 6" Hex Bolt	1	<b>On Axle</b>
	1" Jam Nut	1	<b>On Axle</b>
	EPDM Rubber Bumper	1	<b>On Axle</b>
	1-1/4" (dia) x 2-1/2" Spacer	1	<b>On Axle</b>
<b>Storm Collar</b>	1/2" x 2-1/2" Round Head Bolt	2	<b>Hardware Bag</b>
	1/2" Hex Nut	2	<b>Hardware Bag</b>
	1/2" Spring Lock Washer	2	<b>Hardware Bag</b>
<b>Rail Slider (qty. varies with rail configuration)</b>	3/8" x 1" Round Head Bolt	8-12	<b>On Slider</b>
	3/8" x 3/4" Hex Bolt	8-12	<b>On Slider</b>
	3/8" Flat Washer	8-12	<b>On Slider</b>
	3/8" Nylock Nut	8-12	<b>On Slider</b>
	3/8" Jam Nut	8-12	<b>On Slider</b>
<b>Canister Slider</b>	3/8" x 1-1/4" Hex Bolt	8	<b>On Slider</b>
	3/8" x 3/4" Hex Bolt	8	<b>On Slider</b>
	3/8" Flat Washer	16	<b>On Slider</b>
	3/8" Nylock Nut	8	<b>On Slider</b>
	3/8" Jam Nut	8	<b>On Slider</b>
<b>Truss Tube / Axle</b>	Cast Iron Flange Bearings	2	<b>Truss Tube</b>
	9/16" x 2" Hex Bolt	4	<b>Truss Tube</b>
	9/16" Spring Lock Washer	4	<b>Truss Tube</b>
	9/16" Hex Nut	4	<b>Truss Tube</b>
	1" Brass Spacer	1	<b>On Axle</b>
	5/32" Allen Wrench	1	<b>Hardware Bag</b>
<b>Counterweight Arm</b>	1/2" x 2" Hex Bolt	1	<b>On #25 Weight</b>
	1/2" Flat Washer	2	<b>On #25 Weight</b>
	1/2" Lock Washer	1	<b>On #25 Weight</b>
	1/2" Hex Nut	1	<b>On #25 Weight</b>
	3/4" Plastic Spacer	1	<b>On #25 Weight</b>
	1" Jam Nut	1	<b>On Arm</b>
<b>Shadow Plate</b>	1/4" x 3/8" Round Head Screw	8	<b>Hardware Bag</b>
	1/4" Fender Washer	8	<b>Hardware Bag</b>
	1/4" Spring Lock Washer	8	<b>Hardware Bag</b>
<b>Module Hardware (per module) &amp; Misc.</b>	1/4" x 5/8" (Stainless) Hex Bolt	4	<b>Hardware Bag</b>
	1/4" (Stainless) Flange Nut	4	<b>Hardware Bag</b>
	Rubberized Cable Clamps	2	<b>Hardware Bag</b>
<b>Offset Bracket Kit (only w/ extra rails)</b>	3/8" x 1-1/4" Hex Bolt	4	<b>On Bracket</b>
	3/8" Flat Washer	8	<b>On Bracket</b>
	3/8" Nylock Nut	4	<b>On Bracket</b>