

Fixed Pole Top Rack FXL-168

Specifications:

Array Size: Up to 168 square feet of solar modules

Overall Dimensions: 192" North-South (maximum)
168" East-West (maximum)

Mounting Pole: 8" Schedule 40 pipe (not provided by Zomeworks)

Recommended Pole Height: 10' above ground

Estimated Shipping Weight: 400 pounds, 3 packages, ships as class 60 and class 85 freight

Seasonal angle: 7.5° to 60° adjustable in 7.5° increments

Maximum Rail Length: 192"

Options: Some module layouts require an extra rail set
Stainless Steel Hardware (call for price)
Epoxy Primer (call for price)

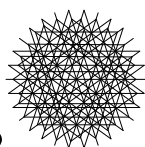
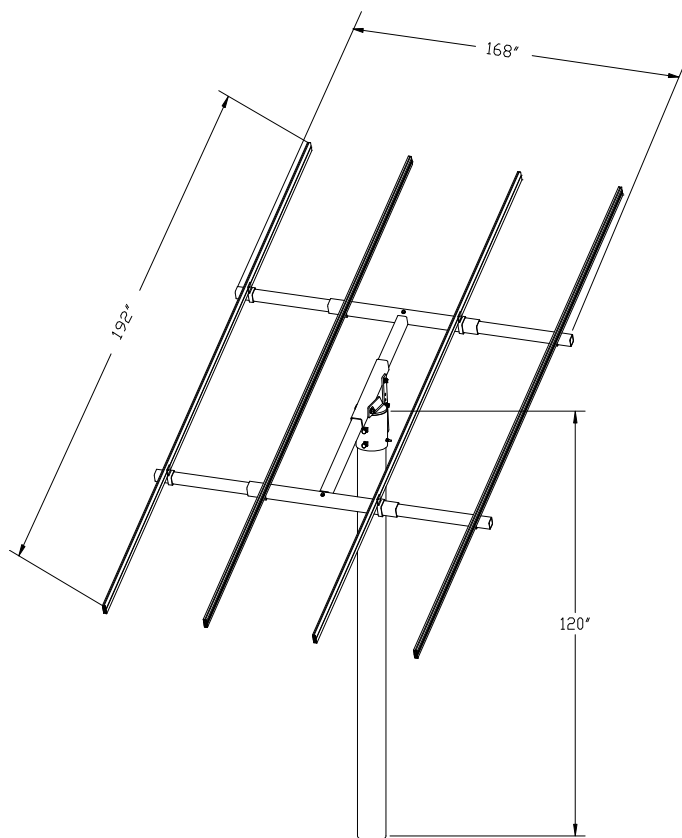
Construction: Mild Steel H-frame and gimbal, extruded Aluminum module mounting rails

Wind Rating: 3 second wind gust up to 90 MPH

Hardware: Rack hardware is Zinc plated grade 5 and grade 8, module mounting hardware is Stainless Steel

Warranty: 10 year limited warranty

Retail Price: \$1,646.00 + shipping
\$335.00 for the extra rail set (if needed)



ZOMEWORKS CORPORATION

Post Office Box 25805 (1011 Sawmill Rd. NW) Albuquerque, New Mexico 87125

Website: www.zomeworks.com Email: zomework@zomeworks.com

[800] 279-6342 [505] 242-5354 phone [505] 243-5187 fax