

Cool Cell® Model #CCRS 332430

The enclosure is sized to hold four each 100 AH battery.

Specifications:

Overall Dimensions: 33" w x 24" d x 30" h

Interior Usable Dimensions: 26" w x 18" d x 13-1/2" h

Construction: Welded 14-gauge galvanized steel finished with epoxy primer and polyurethane paint.

All hardware is stainless steel.

Access: Front removable panel with lockable hasp.

Shipping Weight: 250 lbs.

Estimated Total Weight: 640 lbs. With 4 each 100-AH batteries and water.

Cooling System Capacity: 14 gallons of potable quality water (116 lbs.).

Conduit Access: 2" and 3/4" FPT access on both the right and left sides of the enclosure.

Grounding/Bonding:

Internal - One pair of 1/4" φ double ground studs 5/8" o.c.

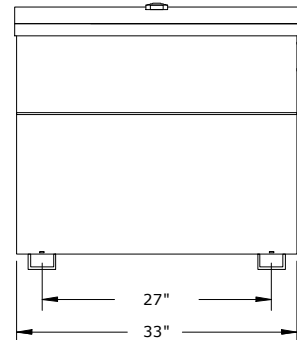
External - One pair of 1/4" φ x 5/8" o.c. bare metal grounds on left and right lower rear corner.

Passive Hydrogen Vent: Convective H₂ Vent is standard on all Cool Cell® battery enclosures.

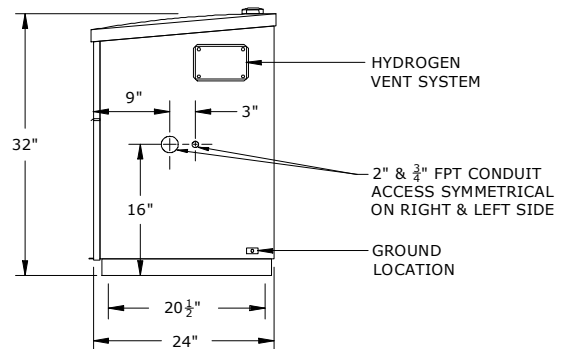
Optional Accessories: Heater, door alarm switch, wiring harness, vibration switch.

Installation Notes:

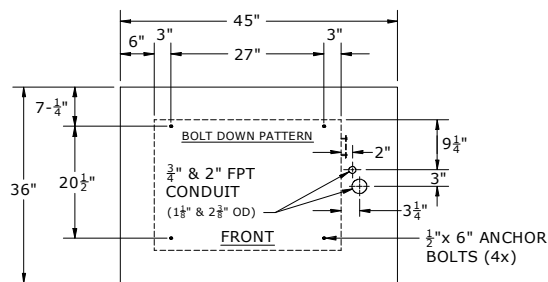
- All electrical wiring and connections should be performed by qualified and or licensed personnel following all applicable electrical and telco specifications and practices.
- For best cooling performance and maximum battery life, do not overcharge your batteries. Most VRLA batteries should be float charged at 2.25 to 2.35 volts per cell at an ambient temperature of 77°F. A 48 volt battery string should be float charged at 54.0 V (24 cells x 2.25V). Overcharging batteries will generate excess heat, which will diminish battery life. Check and follow the battery manufacturer's specifications. It's recommended that temperature compensation charging be used if it's available.



FRONT VIEW



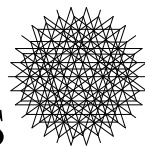
RIGHT SIDE



CONCRETE MOUNTING PAD

(RECOMMENDED PAD DIMENSIONS: 45" x 36")

Cool Cell is a registered trademark of Zomeworks Corporation



ZOMEWORKS CORPORATION

Post Office Box 25805 (1011 Sawmill Rd. NW) Albuquerque, New Mexico 87125

Website: www.zomeworks.com Email: zomework@zomeworks.com

[800] 279-6342 [505] 242-5354 phone [505] 243-5187 fax