

Cool Cell® Model #CCPSD 784864-NS

This enclosure is designed for self racking stationary batteries or other monobloc batteries mounted in a bolt down battery racking system or the batteries may be placed directly on the floor of the enclosure.

Specifications:

Overall Dimensions: 78" w x 48" d x 64" h

Interior Usable Dimensions: 70" w x 32" d x 44" h.

Construction: Welded 14-gauge galvanized steel finished with epoxy primer and polyurethane paint. All hardware is stainless steel. Stand is hot dipped galvanized steel.

Access: Front hinged doors with lockable 3-point latch system.

Shipping Weight: 1250 lbs.

Estimated Total Weight: Up to 6,500 Lbs. depending on batteries.

Cooling System Capacity: 60 gallons of potable quality water (500 lbs.).

Battery Installation: Batteries may be placed directly on the floor of the enclosure or installed in racks. Please provide bolt down pattern for your specific batteries or rack when ordering.

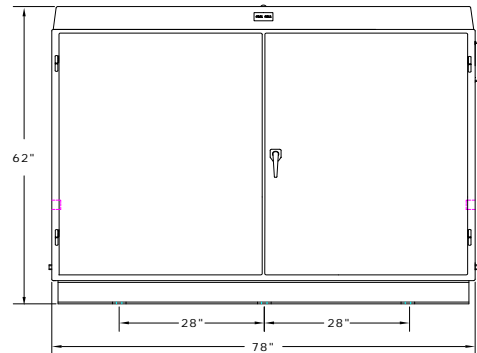
Conduit Access: 2" & 3/4" FPT conduit access on both ends. **Grounding/Bonding:** Internal – Two pairs of 1/4" φ double ground studs 5/8" o.c. External – One pair of 1/4" φ x 5/8" o.c. bare metal grounds on left and right lower rear corner.

Passive Hydrogen Vent: 3" Convective H₂ Vent.

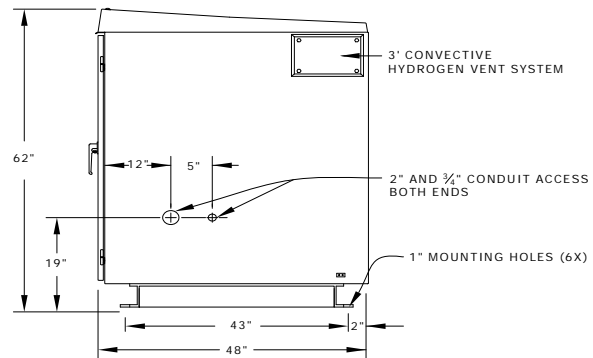
Optional Accessories: Heater, door alarm switch, wiring harness, vibration switch, shelf adapters.

Installation Notes:

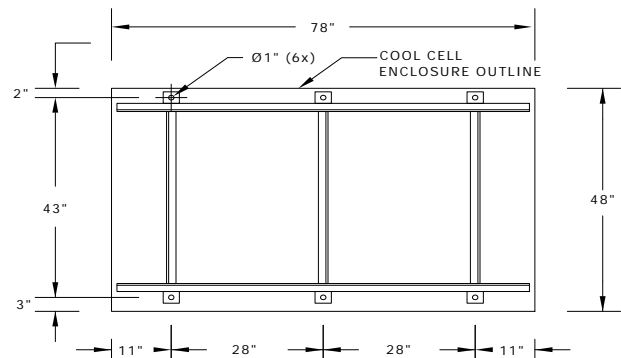
- All electrical wiring and connections should be performed by qualified and/or licensed personnel following all applicable electrical and industry specifications and practices.
- For best cooling performance and maximum battery life, do not overcharge your batteries. Most VRLA batteries should be float charged at 2.25 to 2.35 volts per cell at an ambient temperature of 77°F. A 48 volt battery string should be float charged at 54.0 V (24 cells x 2.25V). Overcharging batteries will generate excess heat, which will diminish battery life. Check and follow the battery manufacturer's specifications. It's recommended that temperature compensation charging be used.



FRONT VIEW



RIGHT SIDE



MOUNTING BOLT PATTERN

Cool Cell is a registered trademark of Zomeworks Corporation

ZOMEWORKS CORPORATION

Post Office Box 25805 (1011 Sawmill Rd. NW) Albuquerque, New Mexico 87125

Website: www.zomeworks.com Email: zomework@zomeworks.com

[800] 279-6342 [505] 242-5354 phone [505] 243-5187 fax