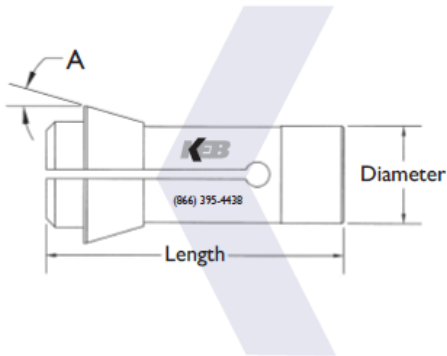


COLLETS

MC0161



1. Standard Collets are manufactured to .0005 TIR.
2. All Collets 1/2" and larger are serrated.
3. Serrations are available on Collets under 1/2". See the Customs Tab or call for details.
4. Please specify smooth bore, if required, when ordering Pick-Off Collets.
5. Keyways are available upon request.
6. Please specify "EN" when ordering Extended Nose Collets. See the Customs Tab or call for more details.

TYPE	KEB FAMILY NO.	DIMENSION			INCREMENT	STOCK RANGE
		DIAMETER	LENGTH	ANGLE		
MC0161						
ROUND FRACTIONAL	C0161-117-SIZE	30MM 1.181	65MM 1.496	15°	1/16	3/16 to 1
ROUND DECIMAL	C0161-118-SIZE	30MM 1.181	65MM 1.496	15°	0.001	0.200 to 1.005
HEXAGON FRACTIONAL	C0161-127-SIZE	30MM 1.181	65MM 1.496	15°	1/32	1/4 to 3/4
SQUARE FRACTIONAL	C0161-137-SIZE	30MM 1.181	65MM 1.496	15°	1/32	1/4 to 11/16