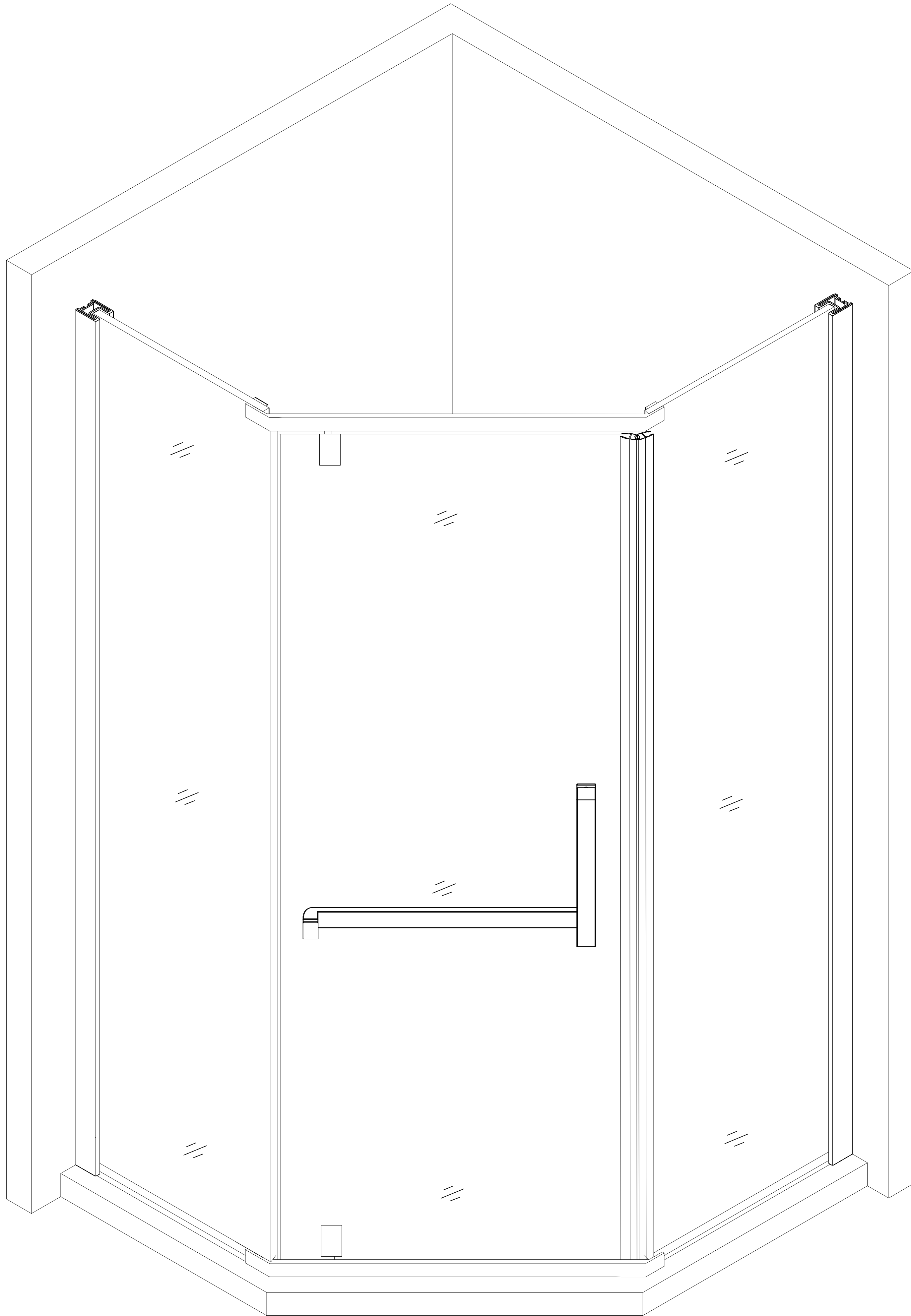
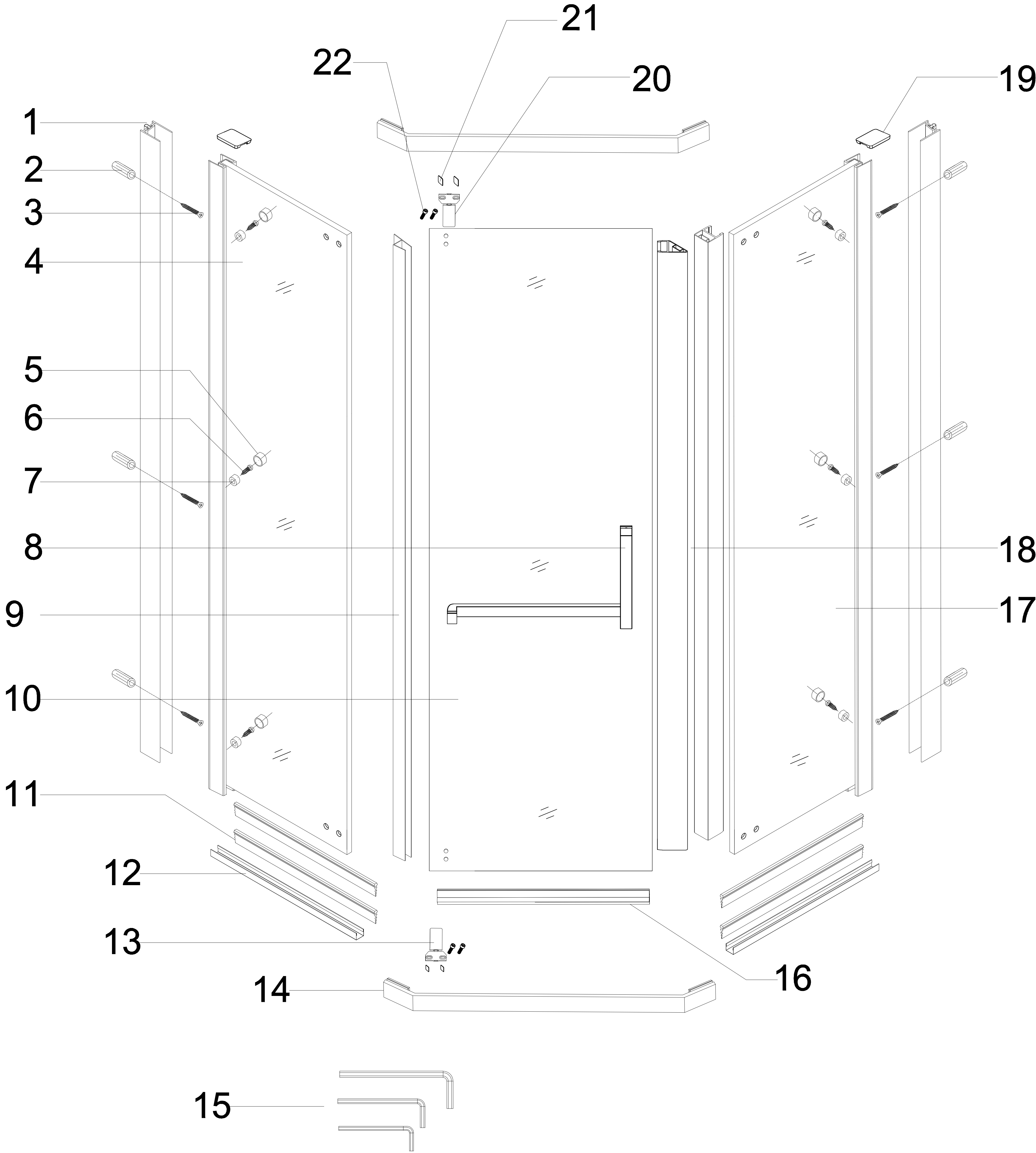


GD-B33 Shower Door Instruction Guide



Detailed Diagram



PART LIST

Check all parts according to the list before assembly . Feel free to contact with us if you need assistance .

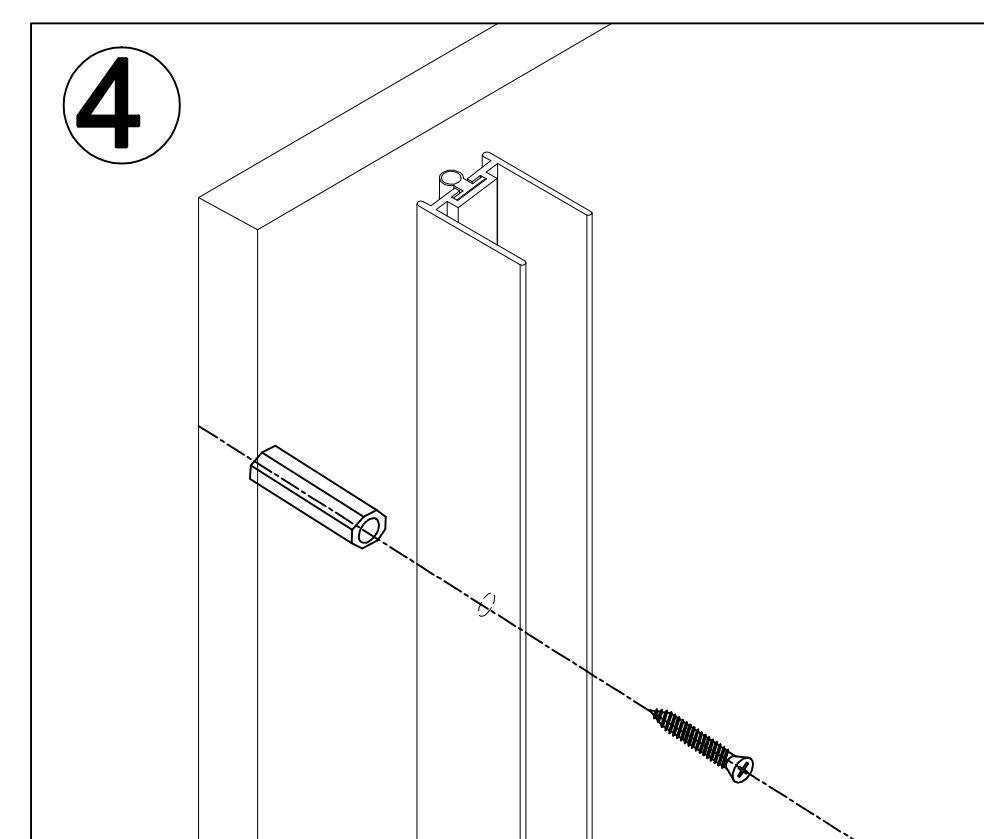
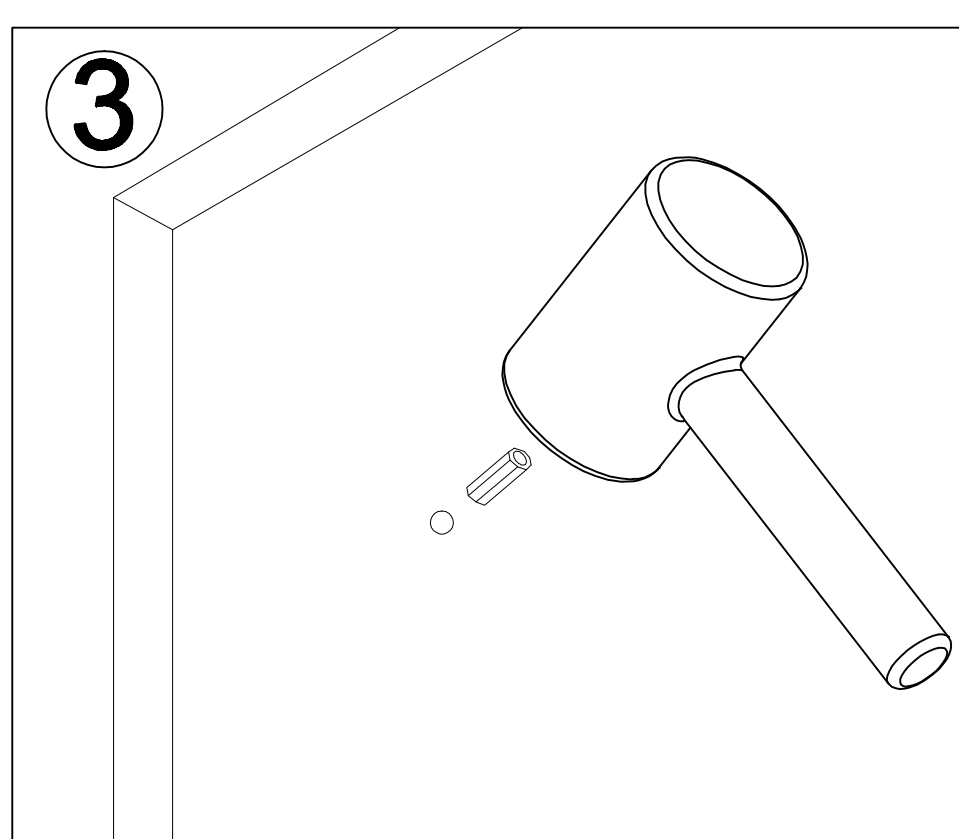
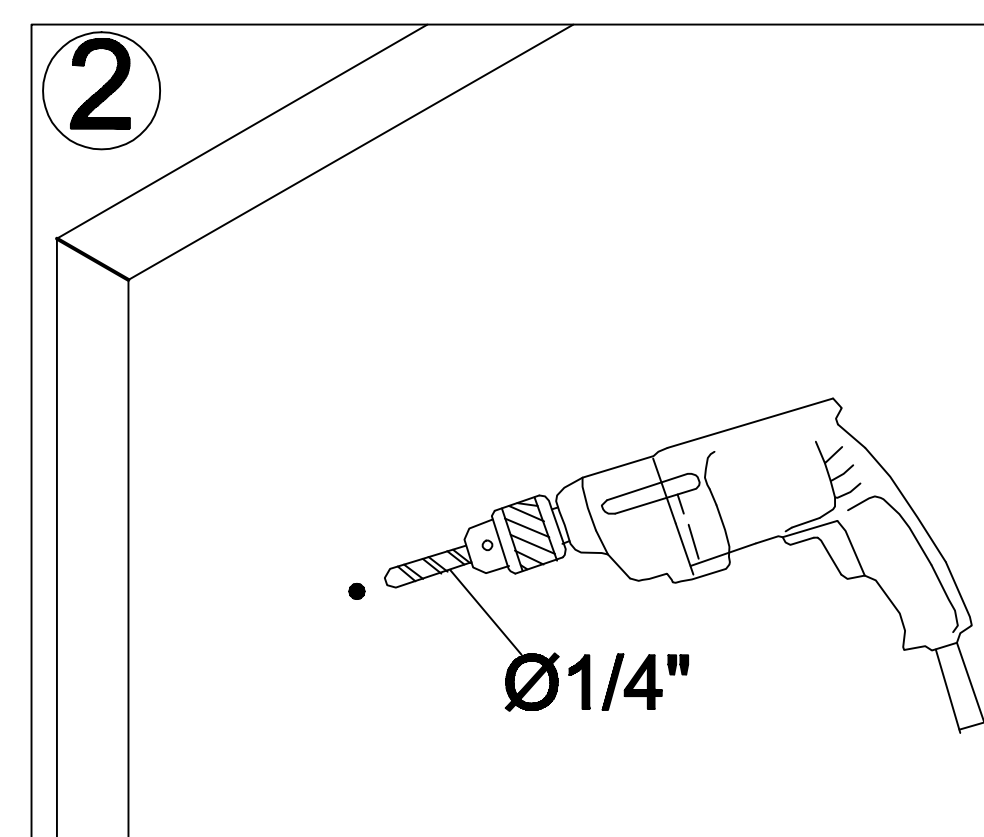
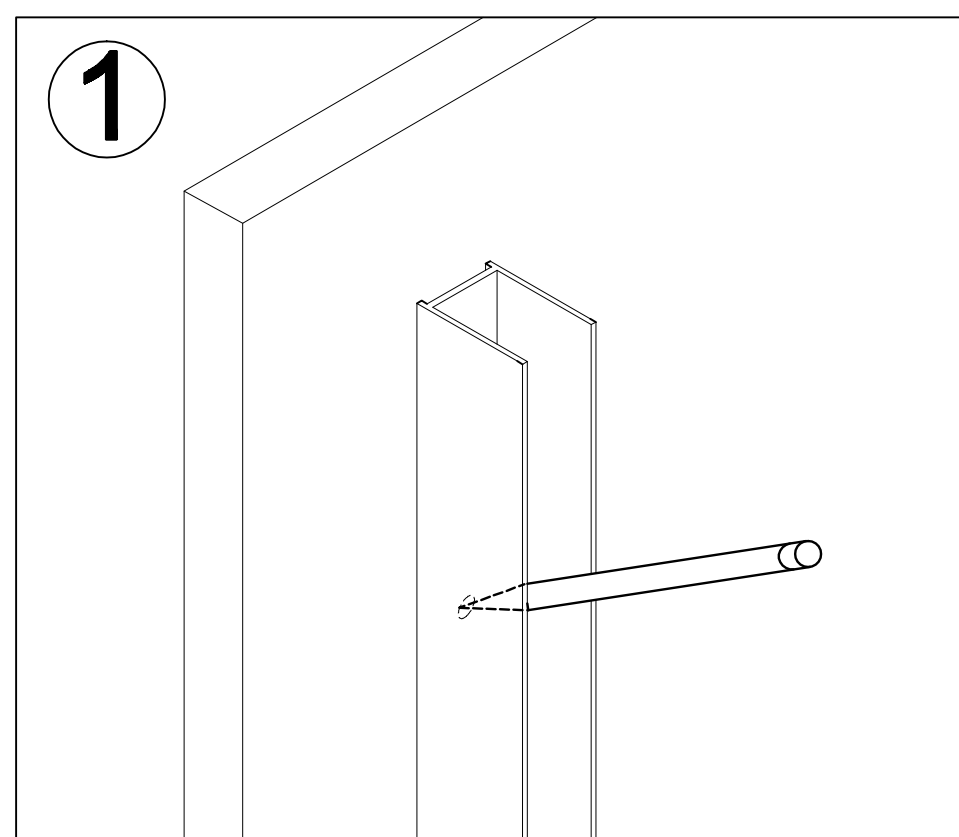
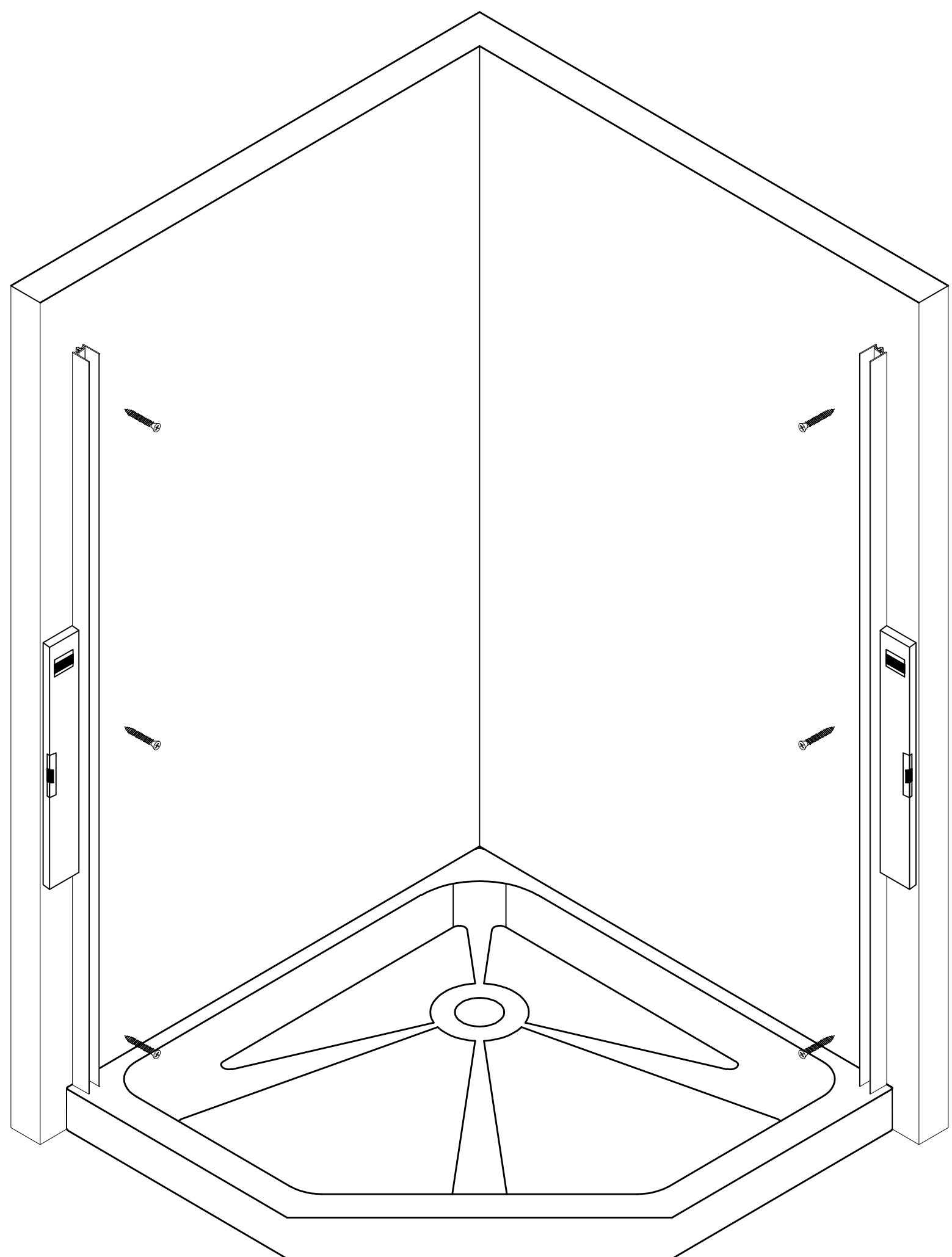
| | | | | | |
|--------------------------------|----------------------|---------------------------------------|------------------------|-------------------------|----------------------------------|
| | | | | | |
| Wall Profile(2pcs) | Wall Anchor(6pcs) | Self-tapping Screw (4*30) (6pcs) | Left Fixed Panel(1pcs) | Screws Caps(6pcs) | Self-tapping Screw 4*12(6PCS) |
| | | | | | |
| Screw Plastic Washer (6pcs) | Handle (1pc) | Side Strip(1pc) | Door Glass(1pc) | Single Side Strip(4pcs) | Anti-water Guide (2pcs) |
| | | | | | |
| Bottom Shaft Clame(1pc) | Crossbar(2pcs) | Allen Wrenches(3pcs) | Water Block Strip(1pc) | Right Fixed Panel(1pc) | Magnetic Strip(2 pcs) |
| | | | | | |
| Door Profile Cover(2pcs) | Top Shaft Clamp(1pc) | Screw Washer of Shaft Clamp (4pcs) | Screw M6*12 (4pcs) | | |

Recommended Tools

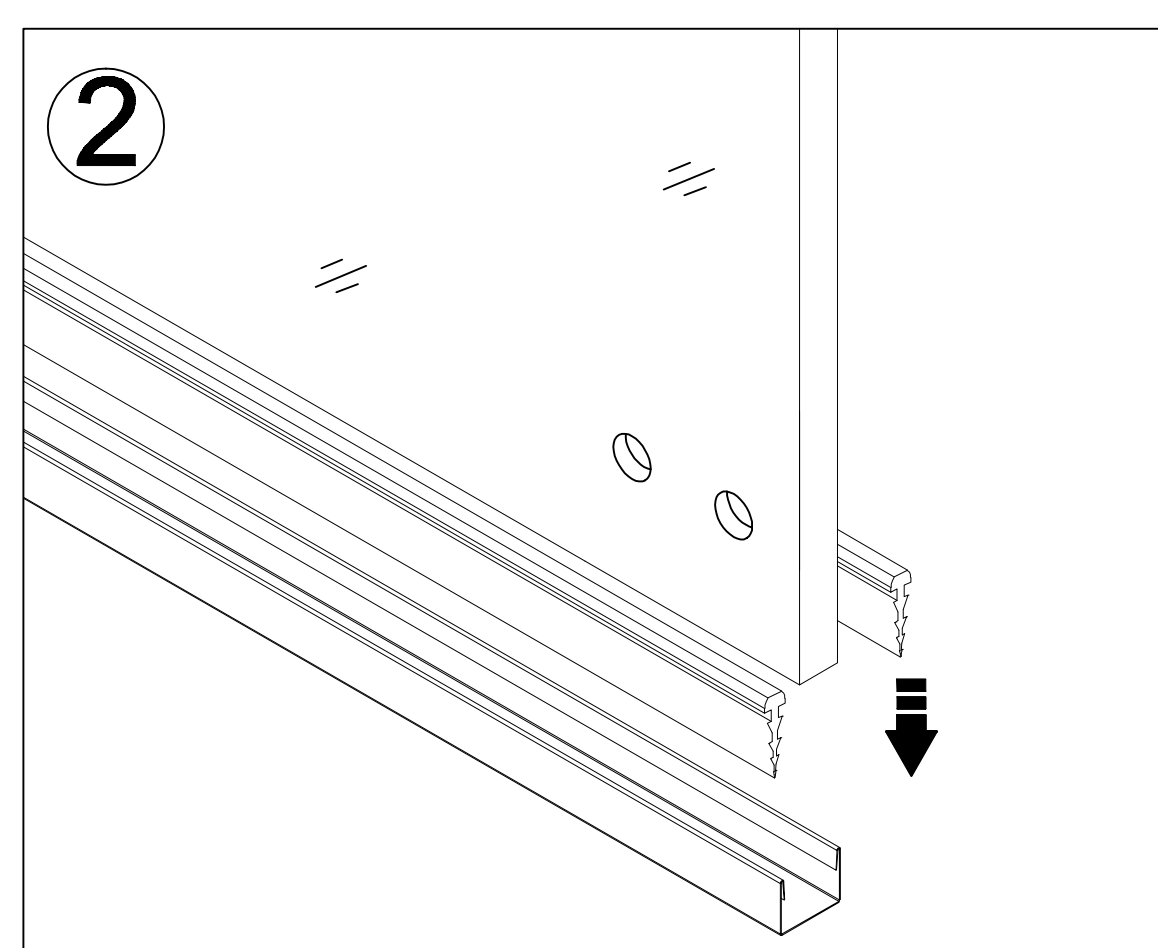
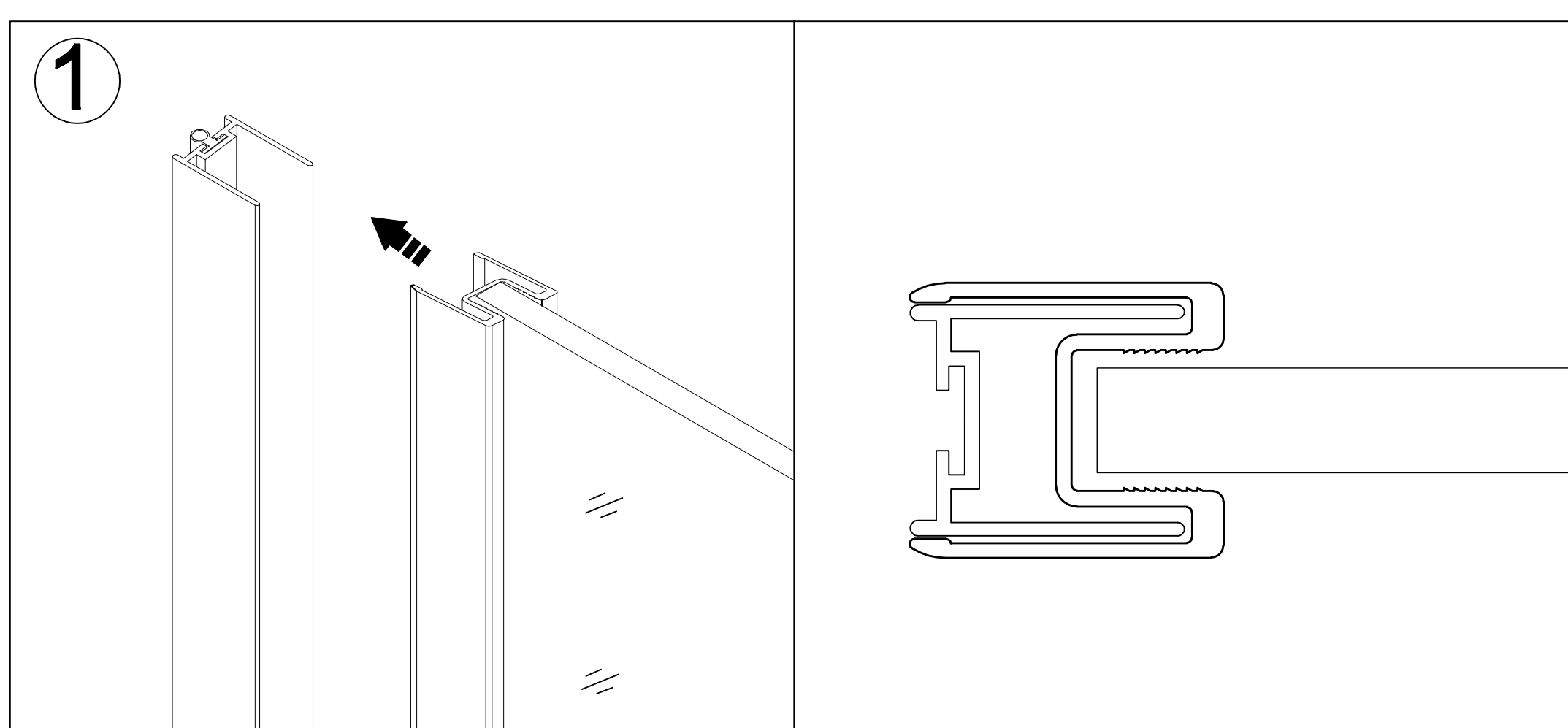
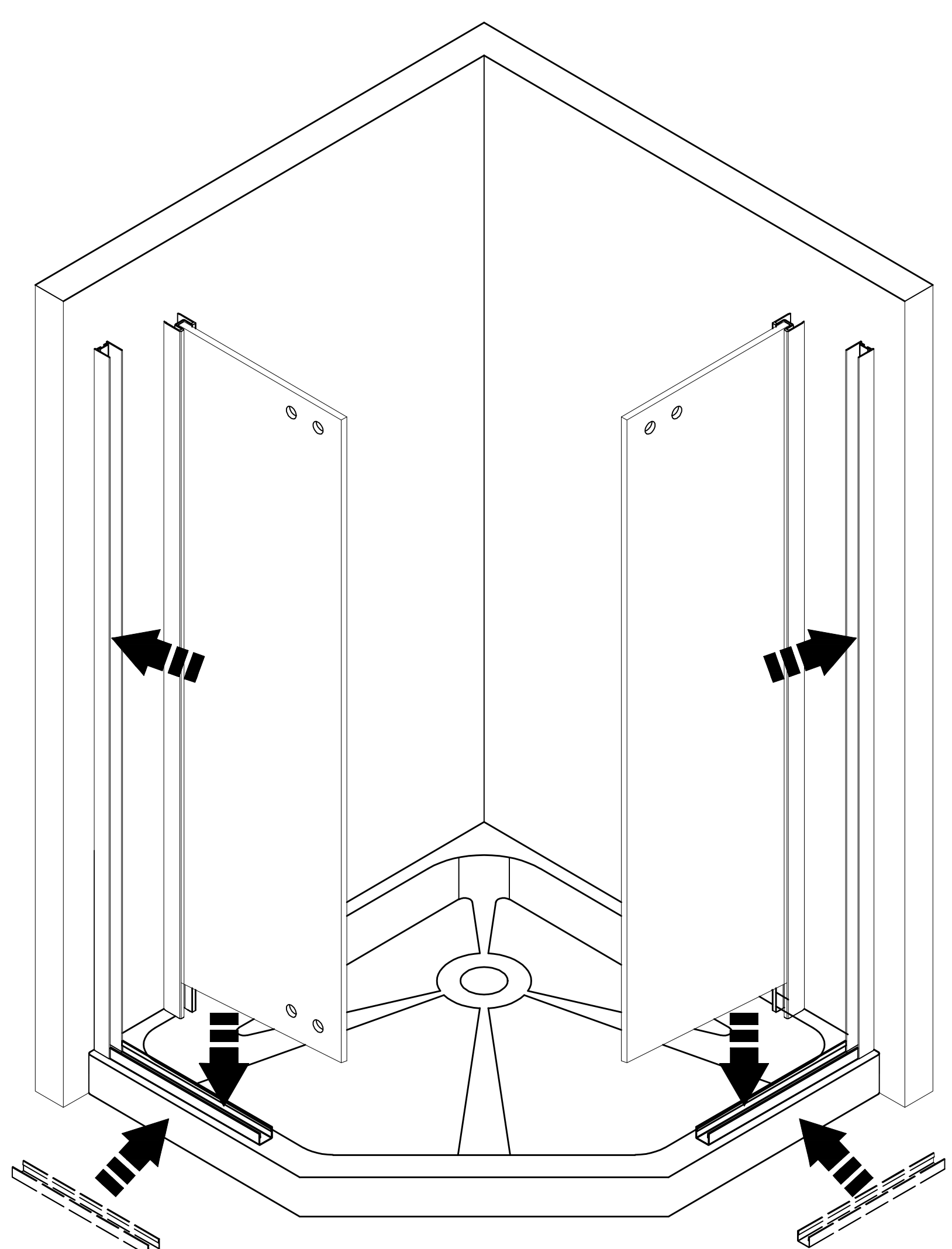
| | | | | | |
|--------------|-----------------|----------------------|---------|--------------|---------------|
| | | | | | |
| Silicone | Drill | Philips Screw Driver | Pencil | Level | Rubber Mallet |
| | | | | | |
| Tape Measure | Ø1/4" Drill Bit | Wooden Jam | Hacksaw | Safety Glass | Safety Gloves |

Utilize Safety Glasses and Safety Gloves when constructing this shower door

1

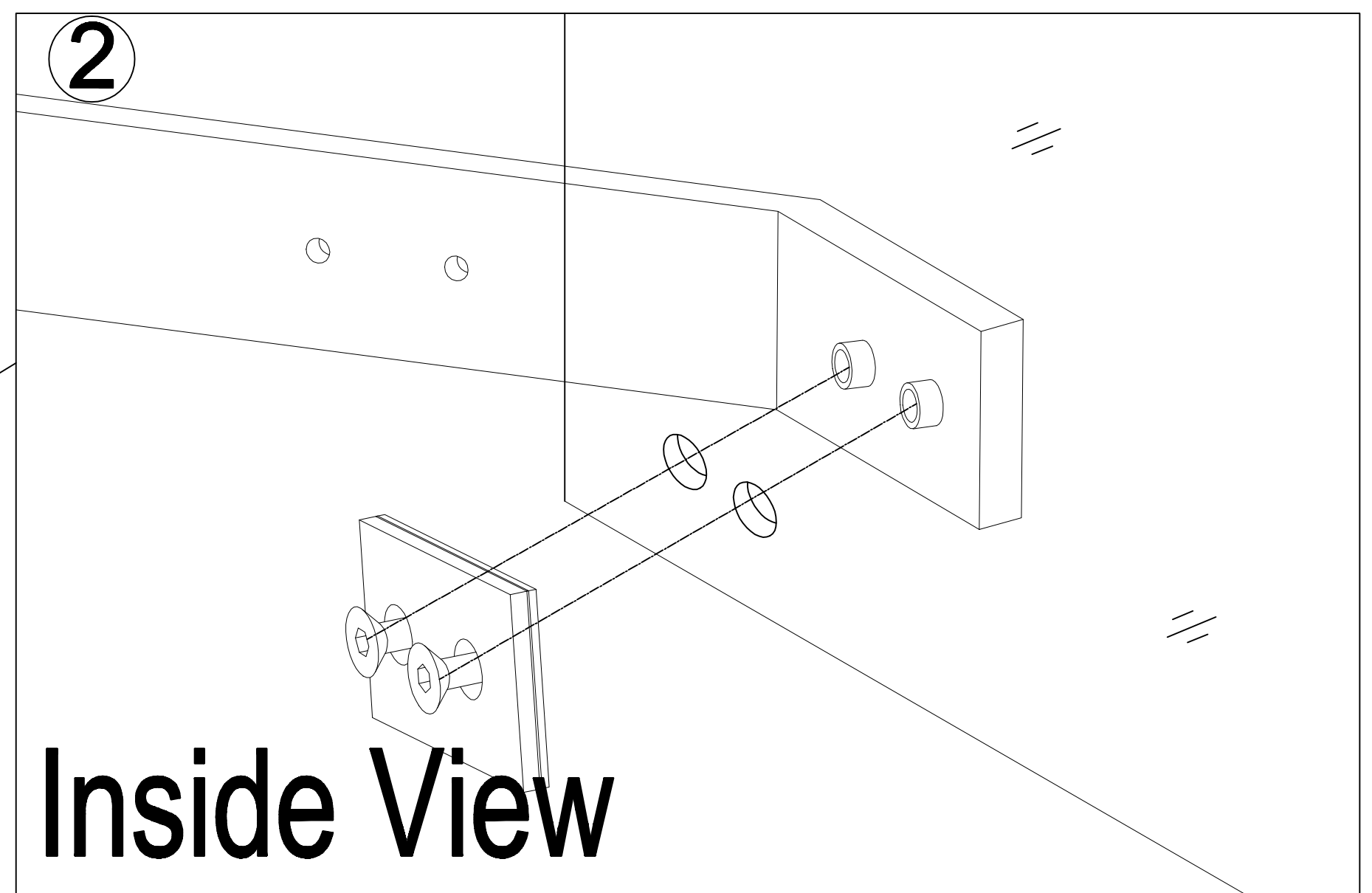
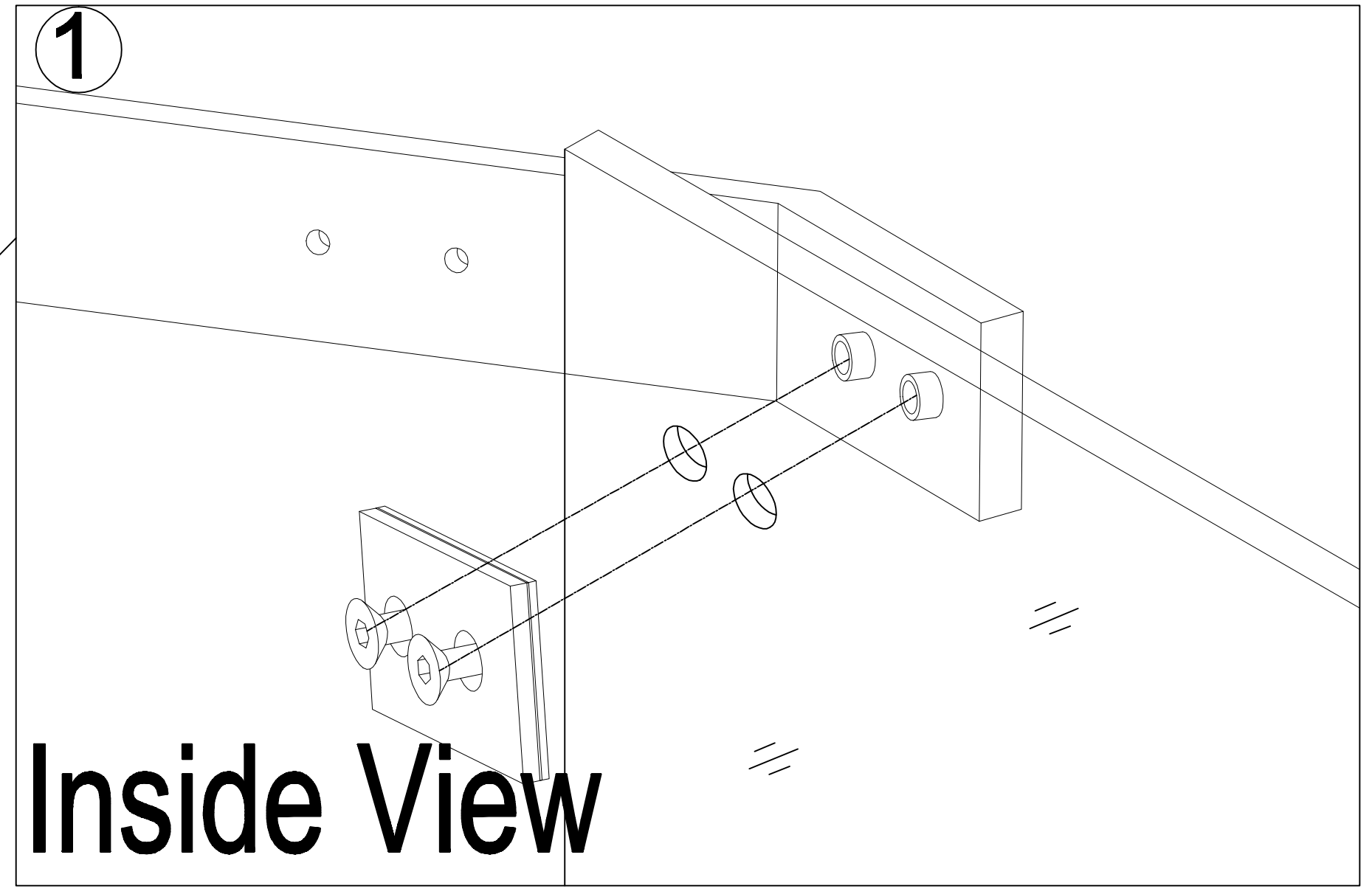
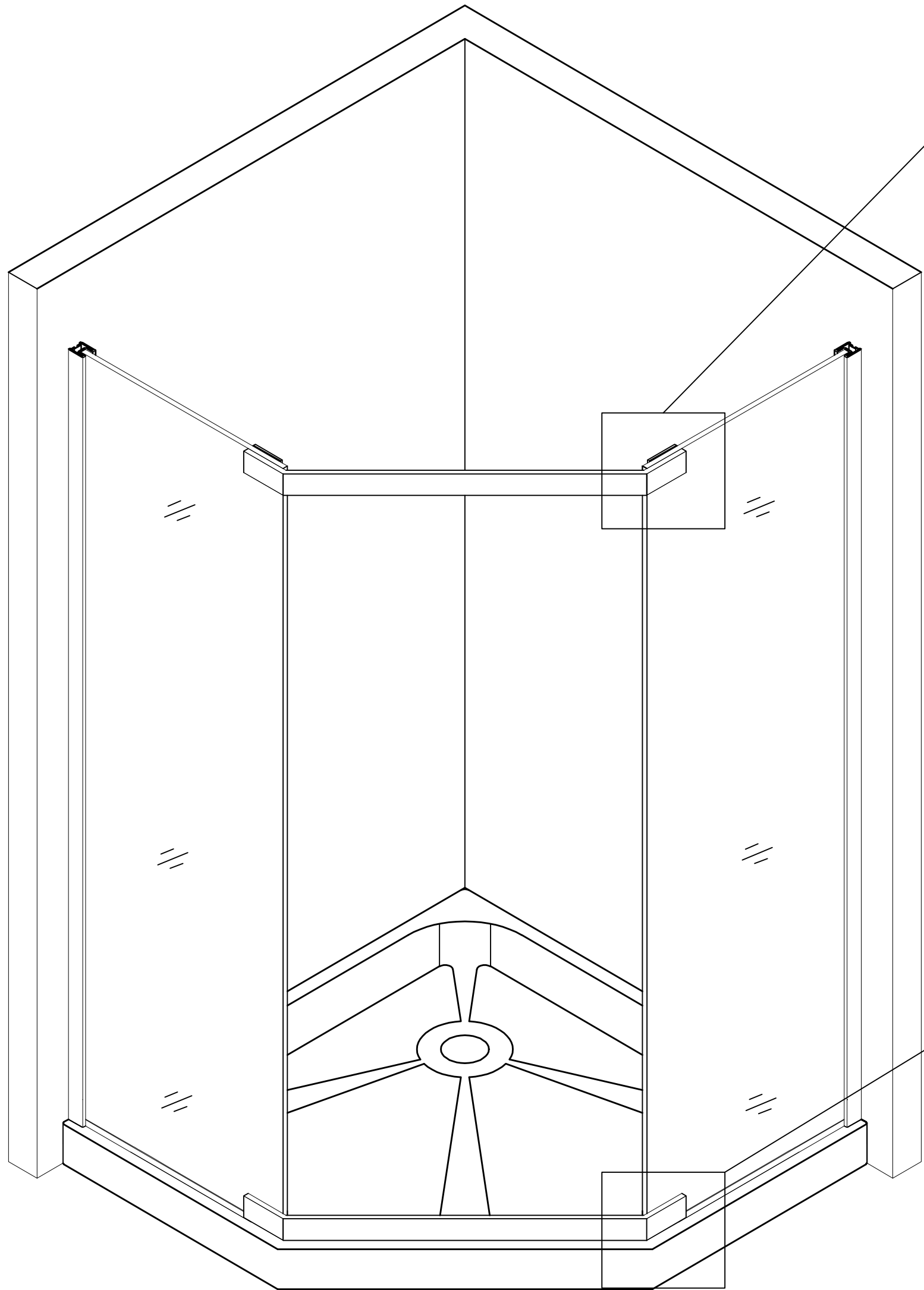


2

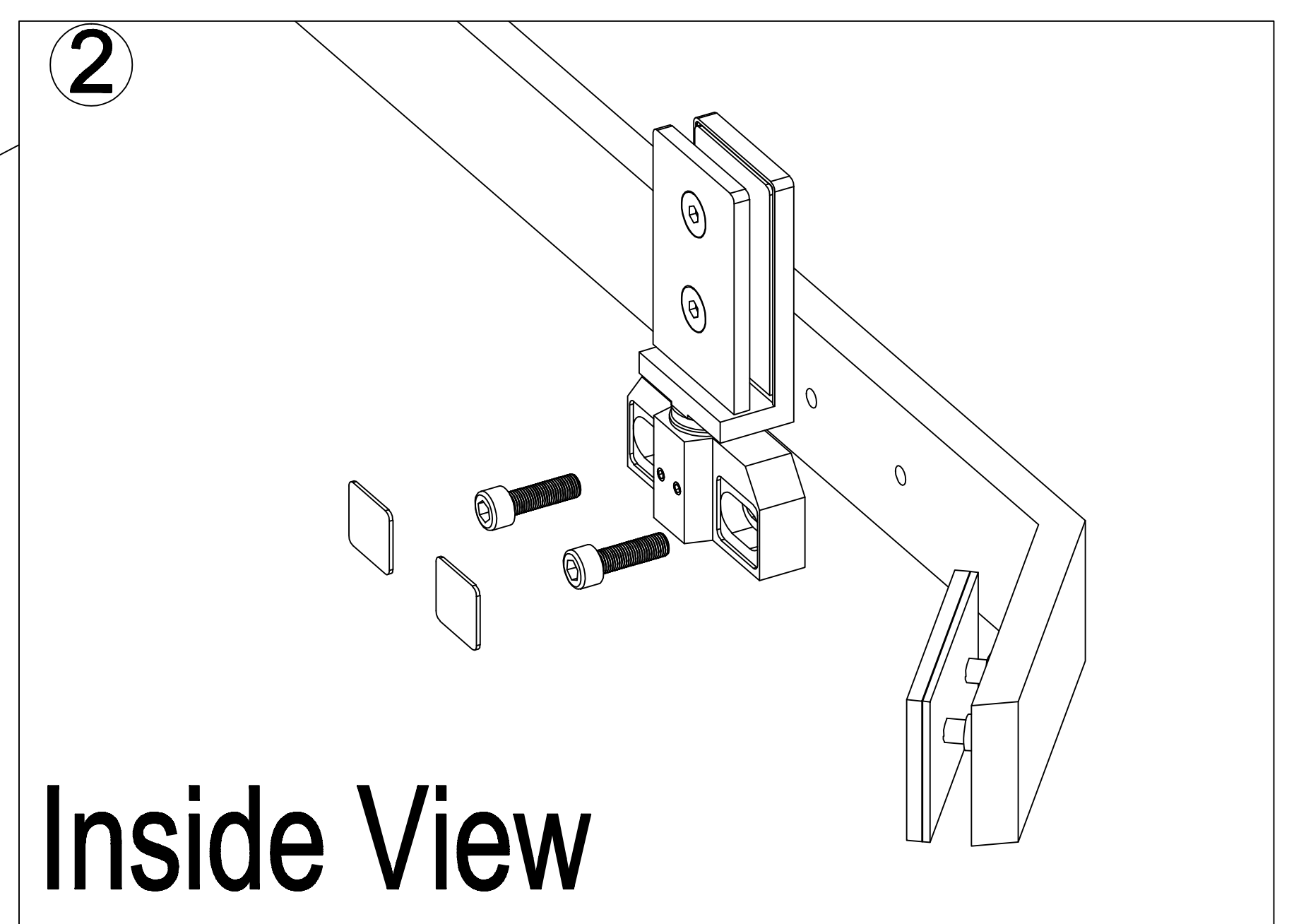
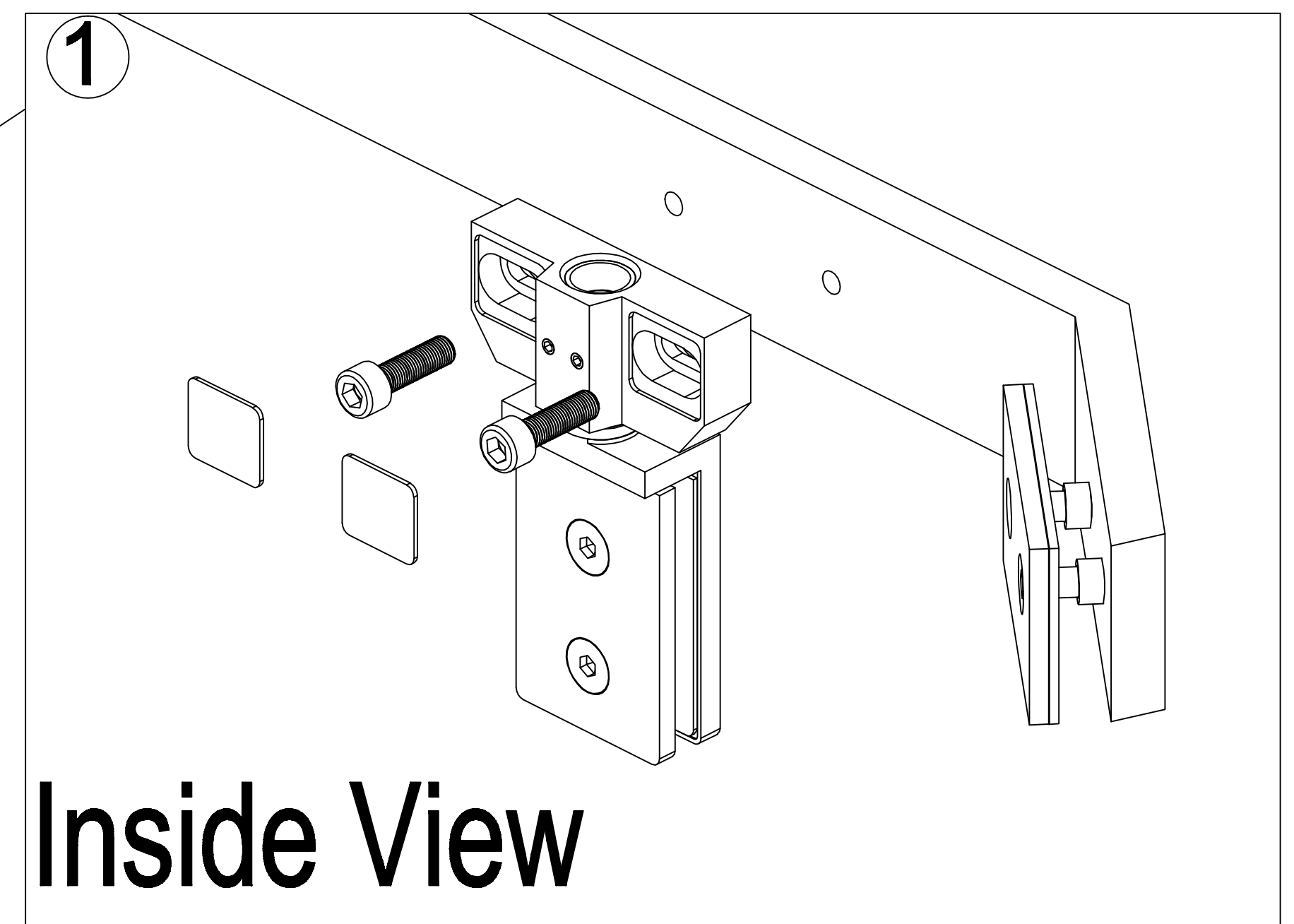
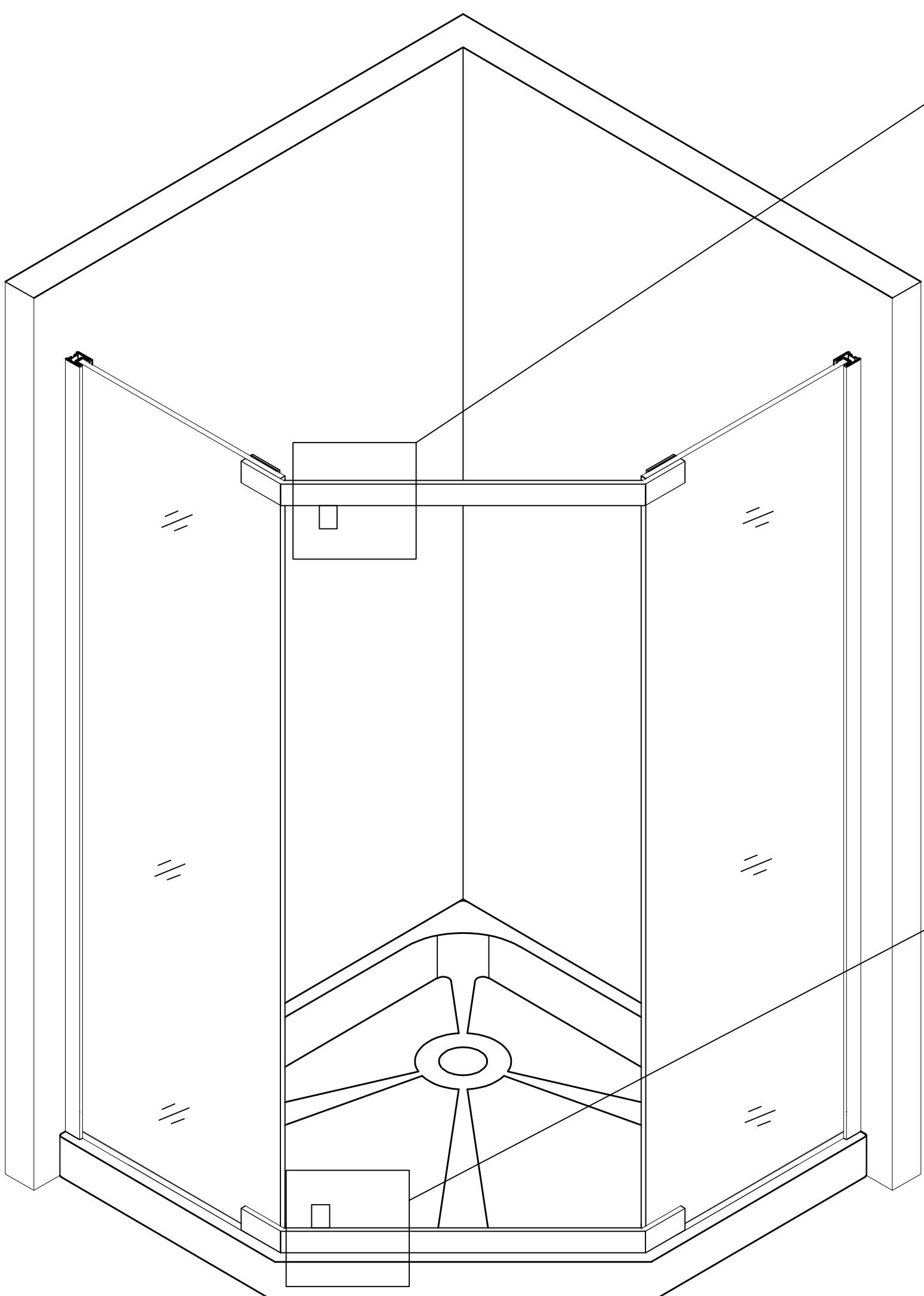


3

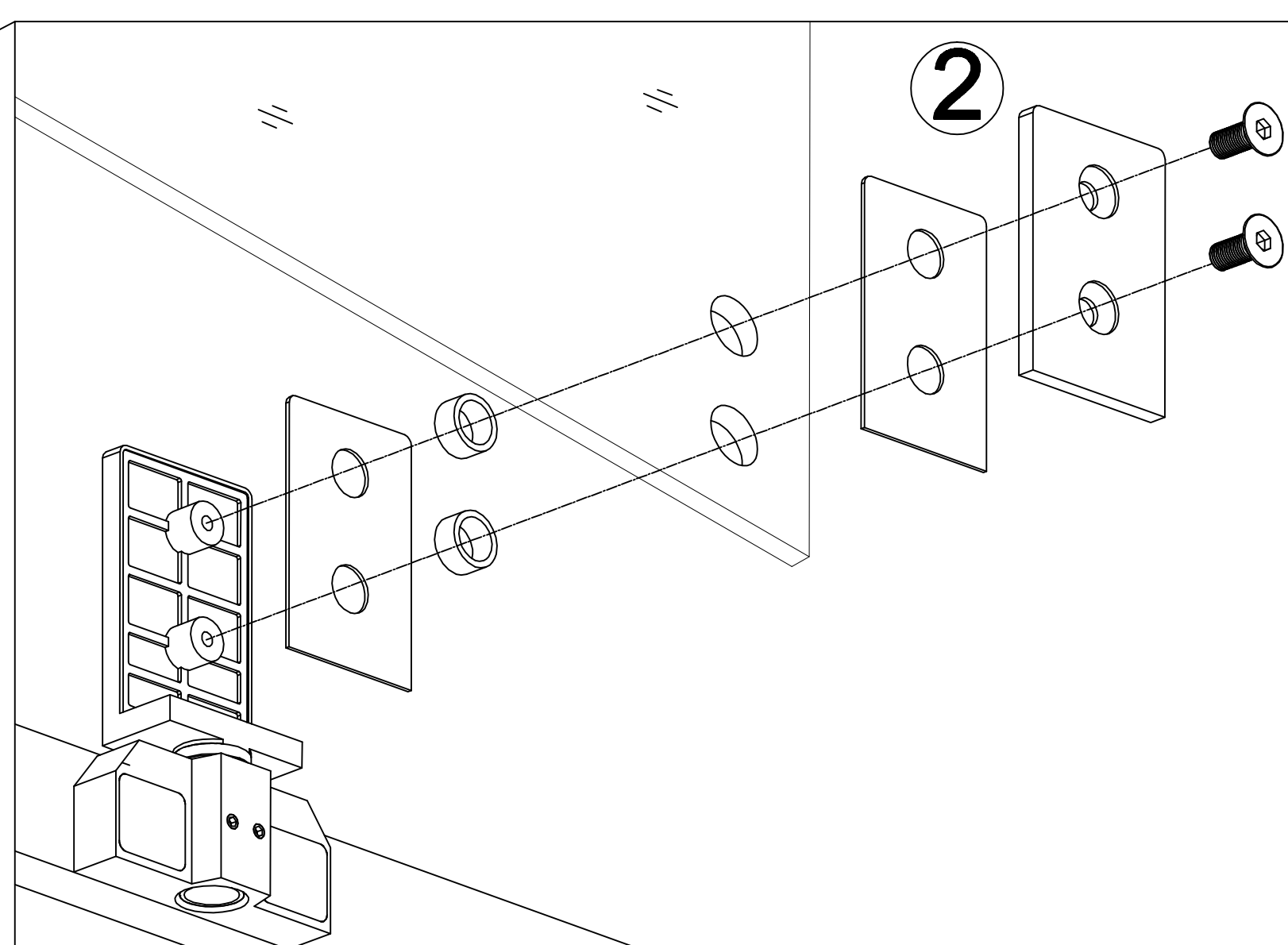
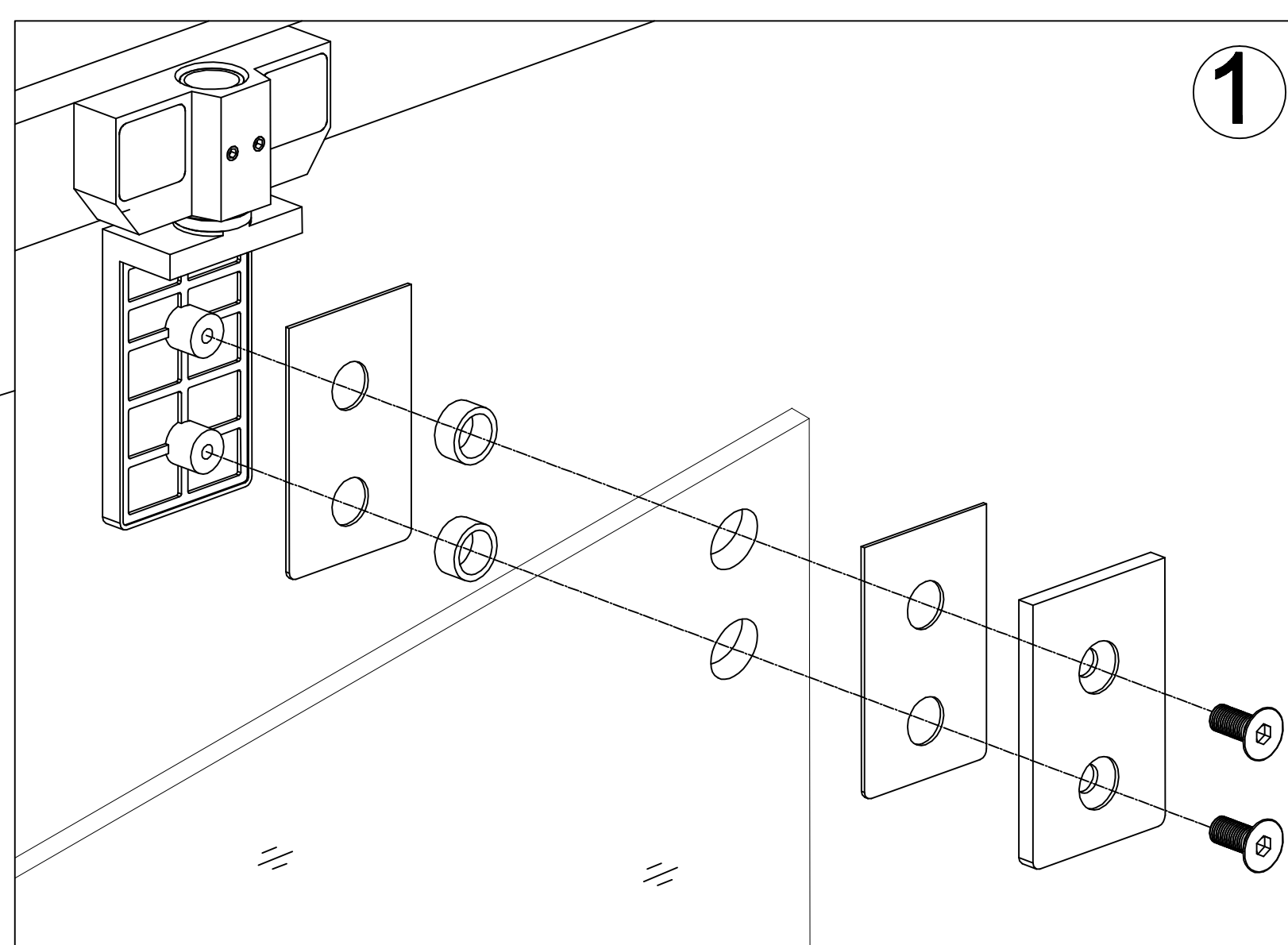
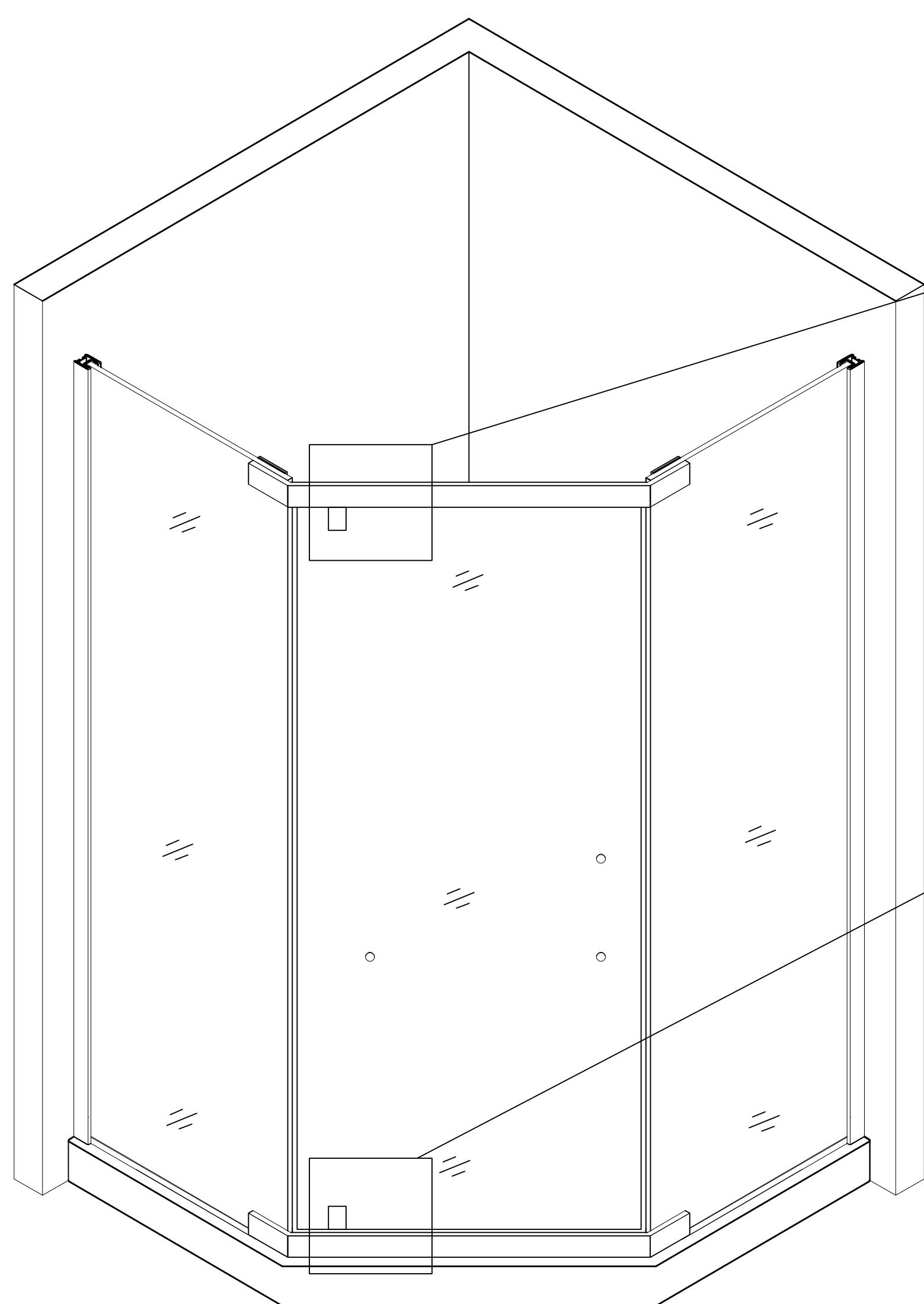
3



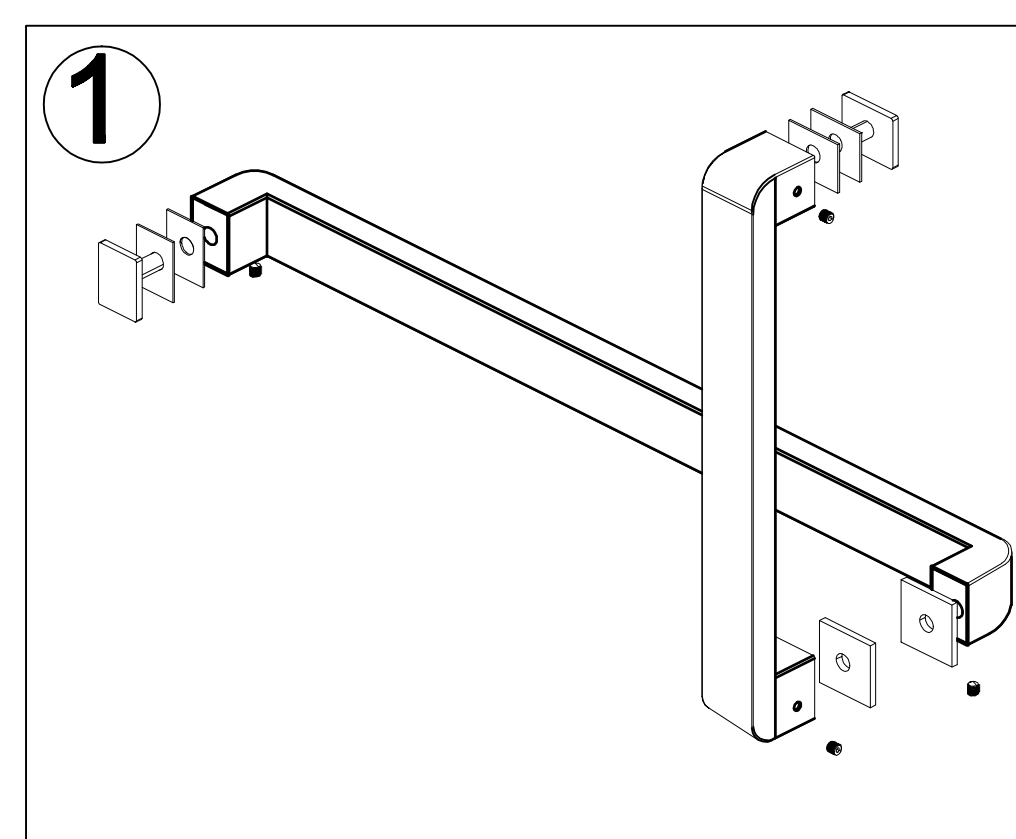
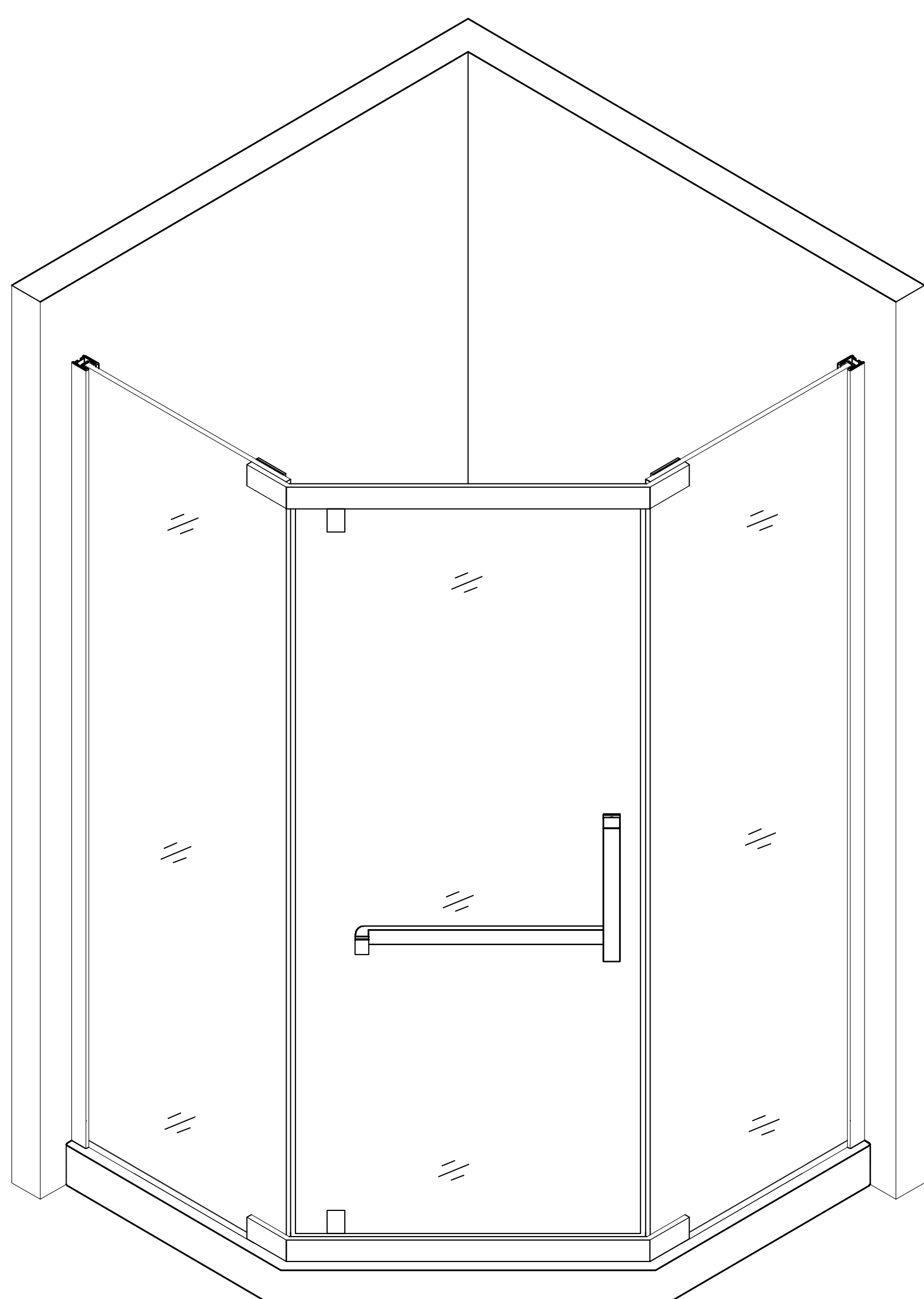
4



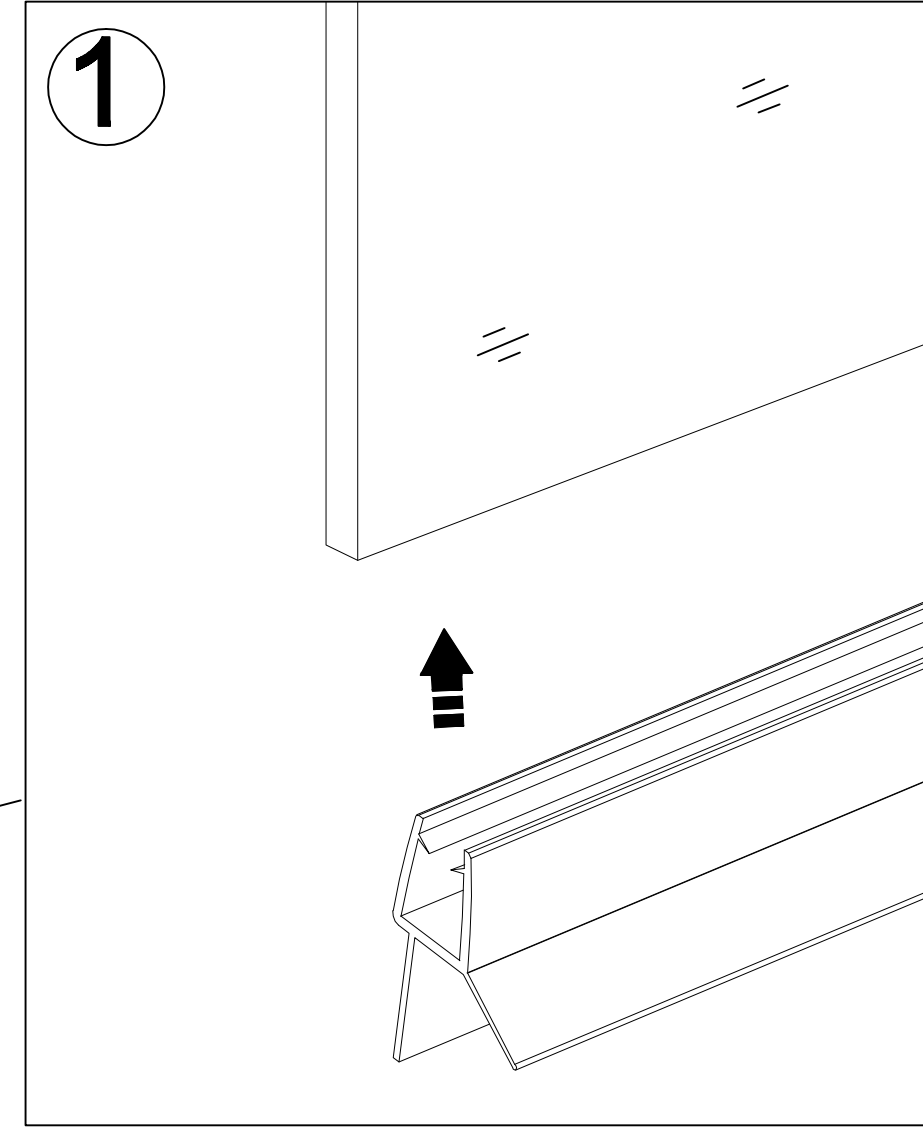
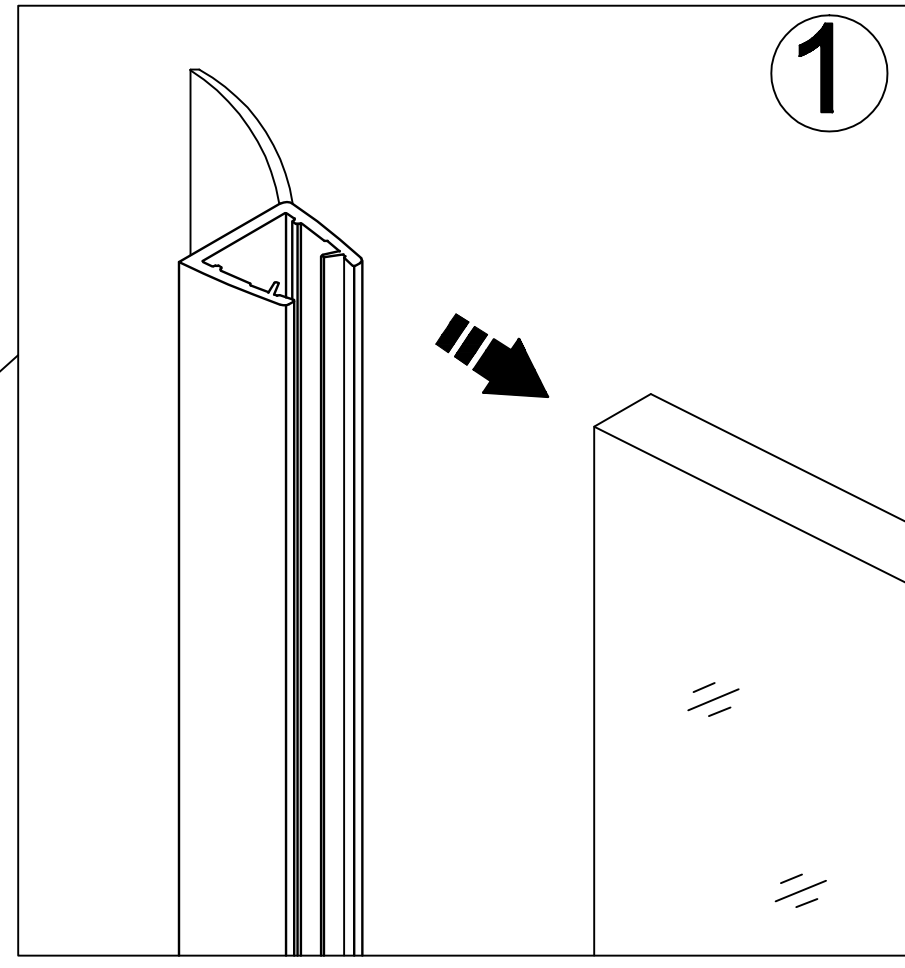
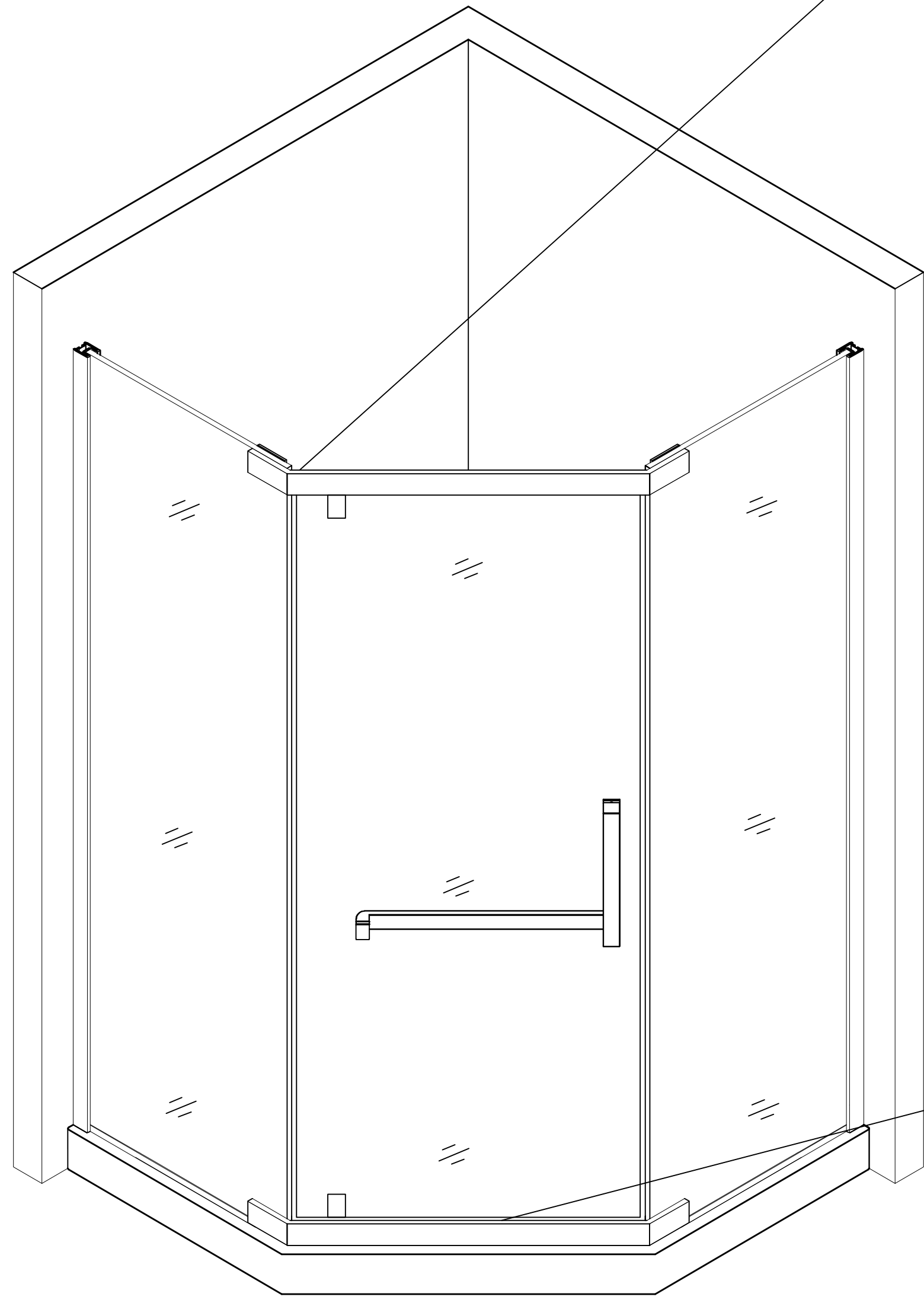
5



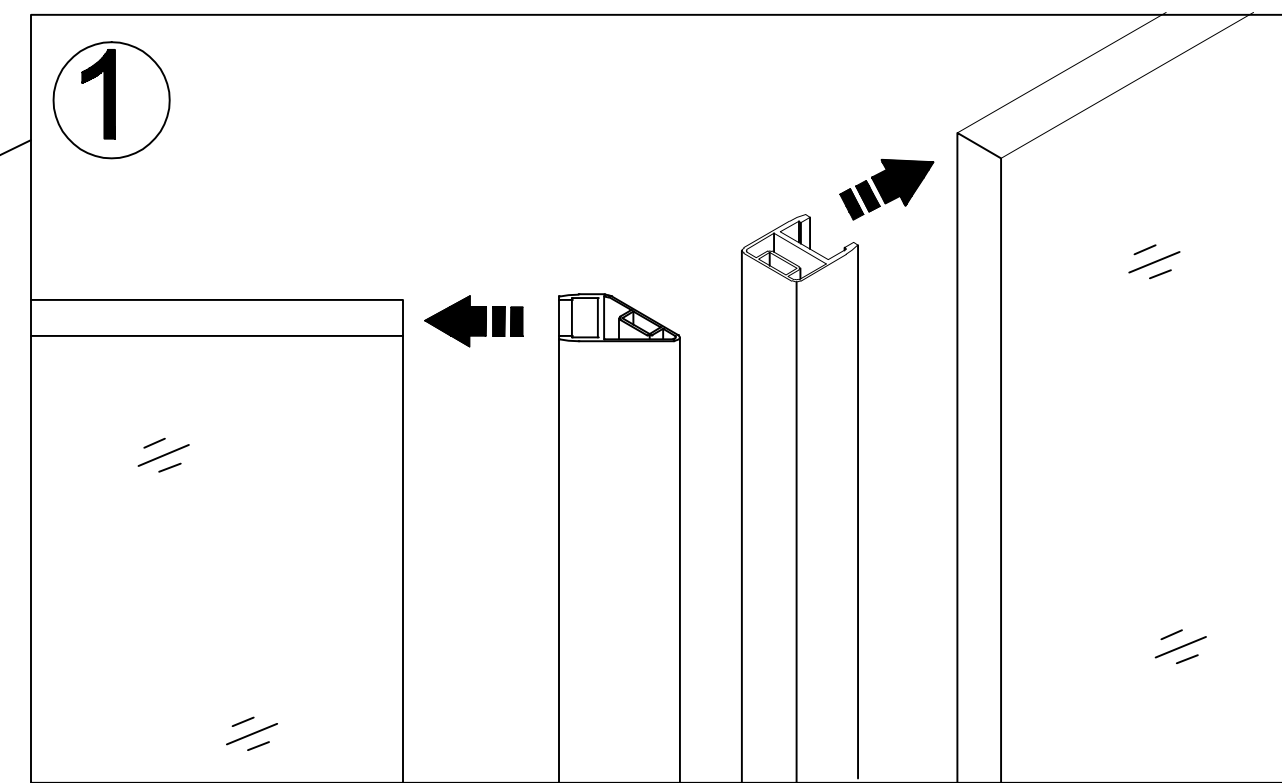
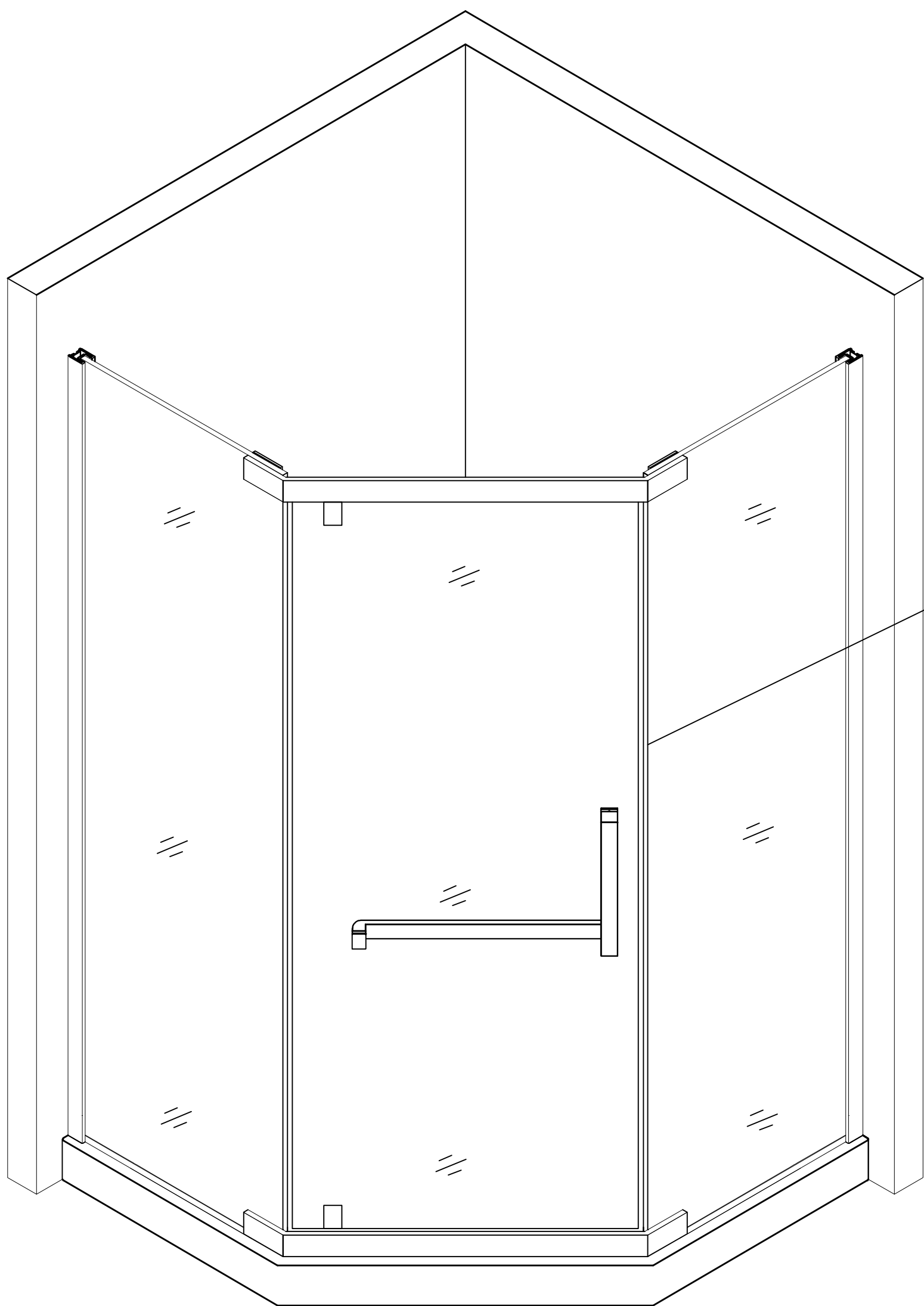
6



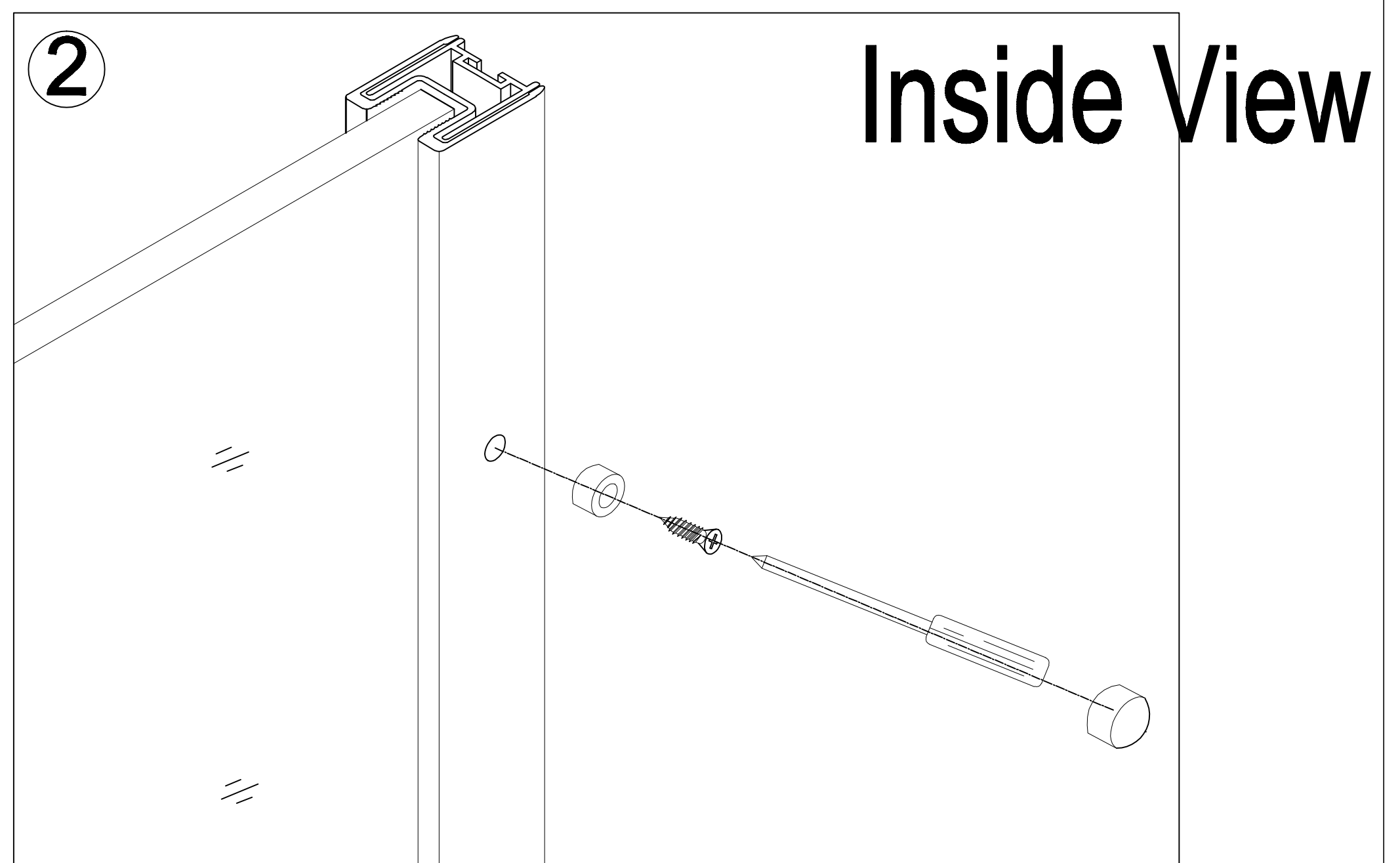
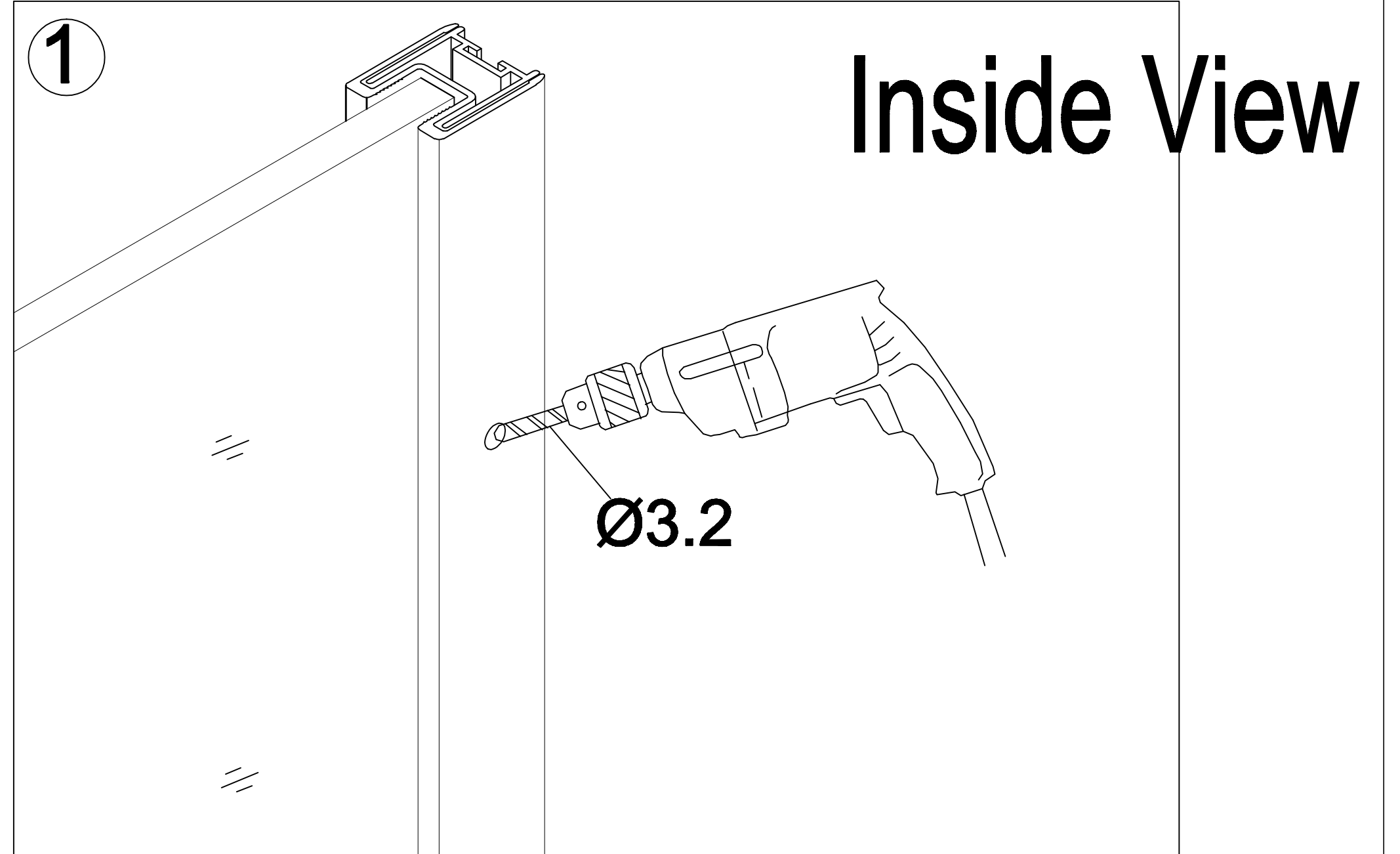
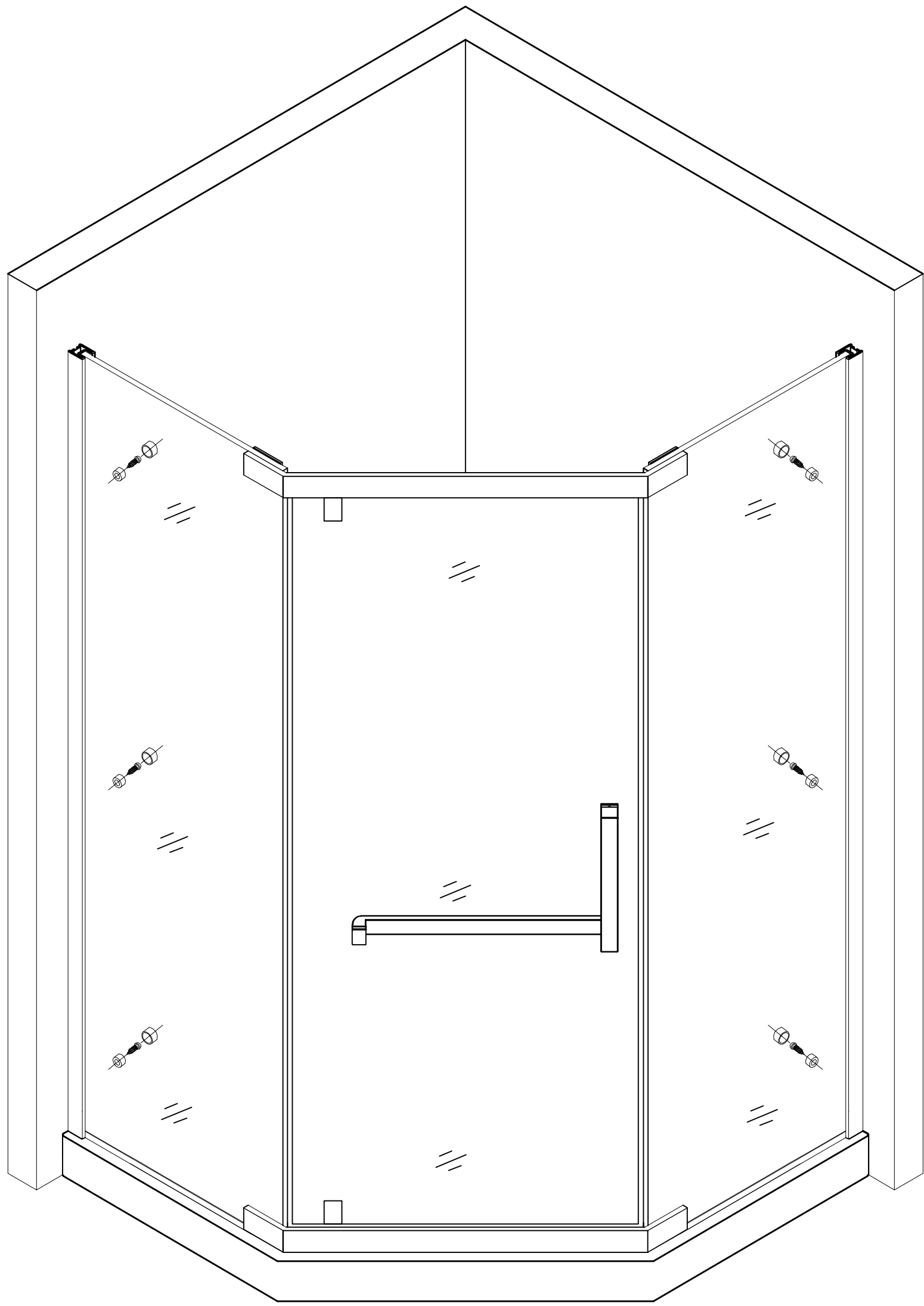
7



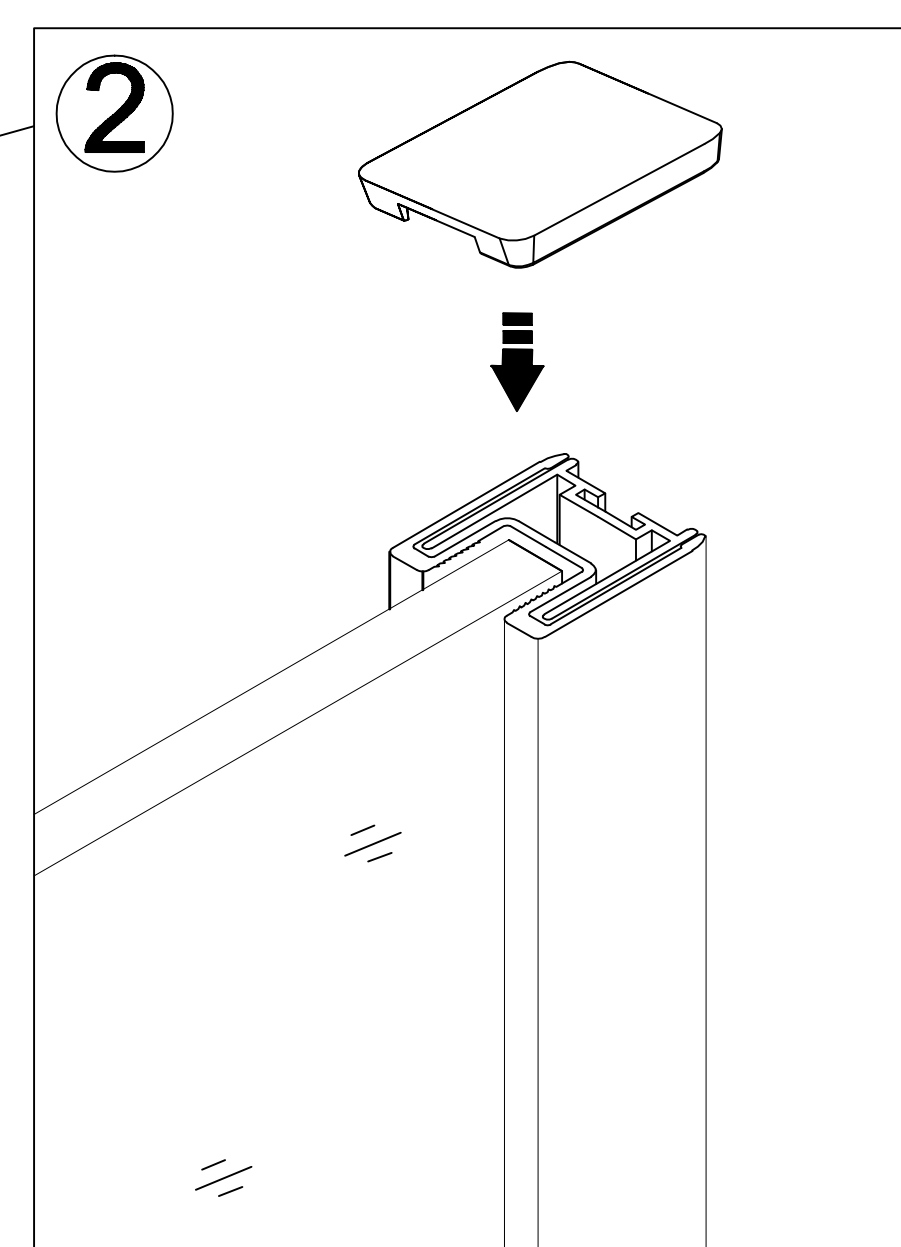
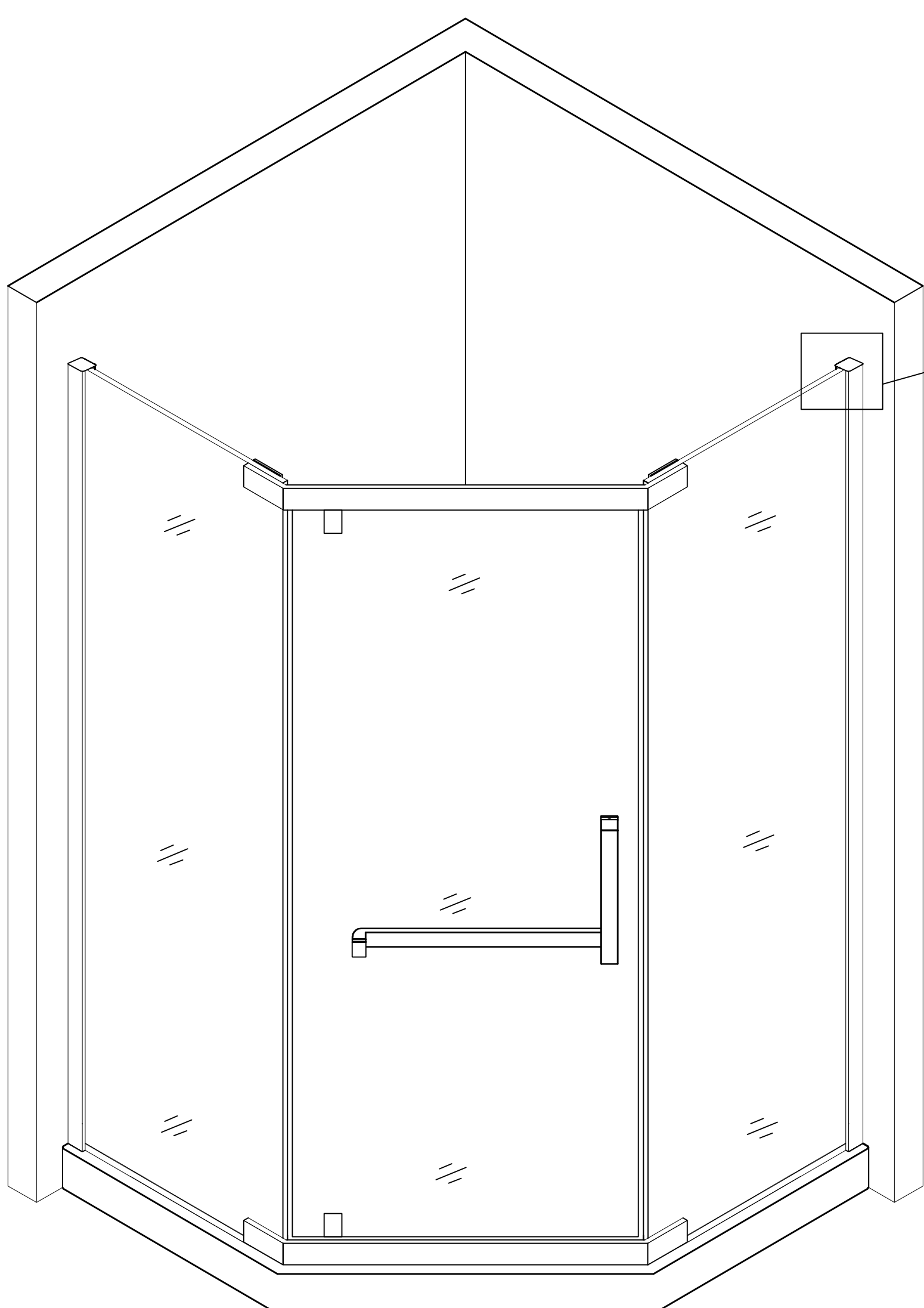
8



9



10



11

