



# Installation Operating And Service Manual

## COMMERCIAL COMBINATION FURNACE

MODELS: CL86-96C,CL86-96G,CL115-170C,CL115-170G

THE INSTALLATION OF THE UNIT SHALL BE IN ACCORDANCE WITH THE REGULATIONS OF THE AUTHORITIES HAVING JURISDICTION. READ AND SAVE THESE INSTRUCTIONS



United States Stove Company  
227 Industrial Park Rd.  
South Pittsburg, TN 37380  
Email: [www.newmacfurnaces.com](http://www.newmacfurnaces.com)  
Phone: (800)-750-2723

Subject to change without notice

D2210040F-4503i

# COMBINATION FURNACES

It is the responsibility of the consignee of the unit to examine the packages for damages, and if found, to note the same on the Carrier' Bill of Lading.

PACKAGE # 1 – Heat exchanger with end panels and side panel installed, filters, draft regulator, accessory carton, brick rack, if brick liner, in firebox. CL 115-170G have 5 grates, 9 liner pieces and 1 shaker handle in firebox. CL 86-96G have 3 grates, 6 split brick and shaker handle in firebox, CL 86-96C have 8 split brick in firebox.

PACKAGE # 2 – Blower section with blower installed, blower belt attached.

PACKAGE # 3 – Oil Burner box with oil burner, primary relay, cell and nozzle.

PACKAGE # 4 – Firebrick  
                   CL 86-96C – 20 full brick  
                   CL 86-96G – 20 full brick  
                   CL 115-170C – 30 full brick

Accessory Carton – Wire harness, fan limit control, solid fuel and oil burner thermostats, junction box with relay transformer mounted, blower motor and pulley, draft fan package, Instruction Manual.

GENERAL INSTRUCTIONS						
MODEL	AERO	BTUH INPUT	BTUH OUTPUT	NOZZLE	PUMP (p.s.i.)	INSERTION
CL86	F-AFC-2-8	105,000	86,000	.75 (80 R)	100	7-7/8"
CL96	F-AFC-2-8	119,000	96,000	.85 (80 R)	100	7-7/8"
CL115	F-AFC-3-8	140,000	111,000-109,000	1.00 (80 R)	100	7-7/8"
CL140	F-AFC-3-8	175,000	140,000-138,000	1.25 (80 R)	100	7-7/8"
CL155	F-AFC-3-8	189,000	152,000-150,000	1.35 (80 R)	100	7-7/8"
CL170	F-AFC-3-8	210,000	169,000-168,000	1.50 (80 R)	100	7-7/8"
MODEL	BECKETT	BTUH INPUT	BTUH OUTPUT	NOZZLE	PUMP (p.s.i.)	INSERTION
CL86	SR81RD (NM201)	105,000	86,000	.75 (80 R)	100	7-7/8"
CL96	SR81RD (NM201)	119,000	96,000	.85 (80 R)	100	7-7/8"
CL115	SR81RF (NM202)	140,000	111,000-109,000	1.00 (80 R)	100	7-7/8"
CL140	SR81RF (NM202)	175,000	140,000-138,000	1.25 (80 R)	100	7-7/8"
CL155	SR81RF (NM202)	189,000	152,000-150,000	1.35 (80 R)	100	7-7/8"
CL170	SR81RF (NM202)	210,000	169,000-168,000	1.50 (80 R)	100	7-7/8"
CL86	AFG (NM502)	105,000	86,000	.75 (70 A)	100	7-7/8"
CL96	AFG (NM502)	119,000	96,000	.85 (70 A)	100	7-7/8"
CL115	AFG (NM503)	140,000	111,000-109,000	1.00 (70 A)	100	7-7/8"
CL140	AFG (NM503)	175,000	140,000-138,000	1.25 (70 A)	100	7-7/8"
CL155	AFG (NM503)	189,000	152,000-150,000	1.35 (70 A)	100	7-7/8"
CL170	AFG (NM503)	210,000	169,000-168,000	1.50 (70 A)	100	7-7/8"
MODEL	RIELLO	BTUH INPUT	BTUH OUTPUT	NOZZLE	PUMP (p.s.i.)	INSERTION
CL96	40 F3 (10" BT)	111,000	94,000	0.65 (60W)	150	7-1/2"
CL96	40 F3 (10" BT)	111,000	94,000	0.65 (AB)	150	7-1/2"
CL96	40 F3 (10" BT)	119,000	101,000	0.75 (60W)	130	7-1/2"
CL115	40 F5 (10" BT)	140,000	111,000-109,000	0.85 (60 W)	150	7-1/2"
CL140	40 F5 (10" BT)	175,000	140,000-138,000	1.00 (60 W)	150	7-1/2"
CL155	40 F5 (10" BT)	189,000	152,000-150,000	1.10 (60 W)	150	7-1/2"

Figure 1

**MINIMUM CLEARANCE FROM COMBUSTIBLE SURFACES**

Oil burner end	24"	Flue Pipe	18"
Wood door end	48"	Top of Supply Plenum	6"
One side	6"	Supply Plenum and takeoff ducts to 6' from furnace	6"
Other side (walkway)	24"	Duct beyond 6' from furnace	1/2"
		In USA next 3'	3", balance 1"
		Return Air is "otherwise certified" to be installed as per CSA B139	
		Clearances (Unlined Joist Space may be used for the Return Air as there is no radiation in the Return Air section)	

Effective August 2008 Refer to Canadian Building Code

**COMBINATION FURNACE INSTALLATION**

Check with provincial, state or local codes concerning clearances, chimney requirements and other installation procedures before installation. Some codes may vary from the requirements set forth in this manual.

To ensure the furnace is on a level foundation and above any possible dampness, a cement pad is recommended. It is important that the top be level. Install as close to the chimney as possible so that a minimum of pipes and elbows may be used.

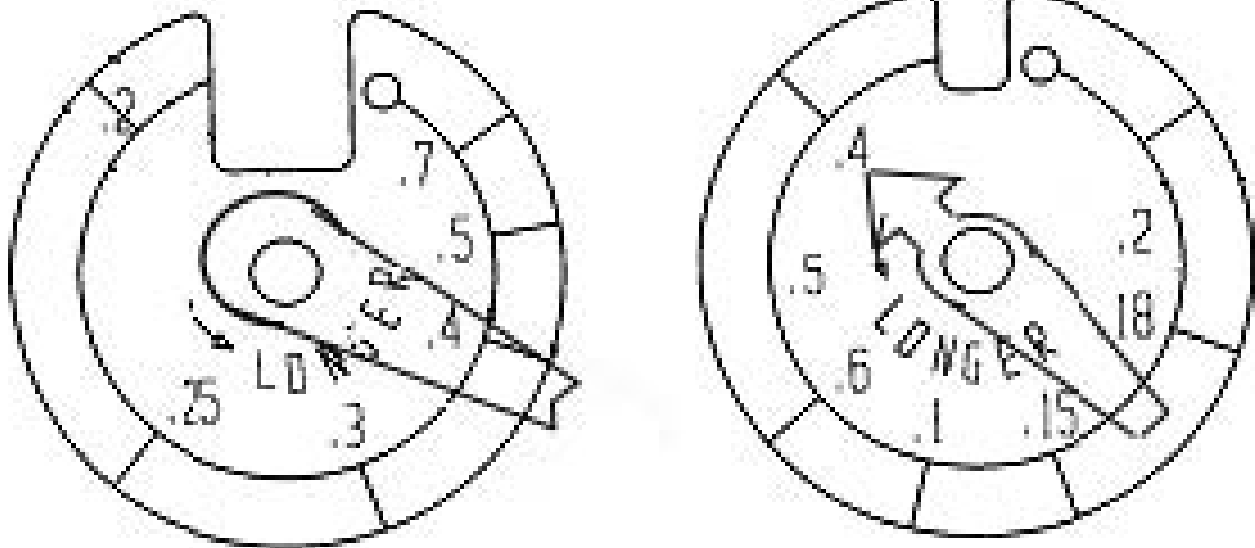
If unit is installed in an enclosed area (furnace room), ventilation must be provided for the burner – minimum of one square inch for every 1,000 BTU.

1. The NEWMAC COMBINATION FURNACE may be installed with the supply or return air on either side. The units leave the factory with the return or cold air on the right when viewed looking at the oil burner end. If it simplifies the duct installation to have the supply air on the opposite side, remove the installed panel and install it on the other side.
2. After placing the heat exchanger on the proper side of the pad, assemble the blower section to the heat exchanger section by lining up the already punched holes and metal screwing together.
3. Install the oil nozzle in the burner firing assembly, and check to make sure adjustments are as shown. Install the oil burner by mounting it on the burner mounting plate. Check to make sure the oil burner tube is aligned with the hole in the combustion chamber.
4. Install junction box, fan/limit control, draft fan and thermostat as shown. Note recommended setting.

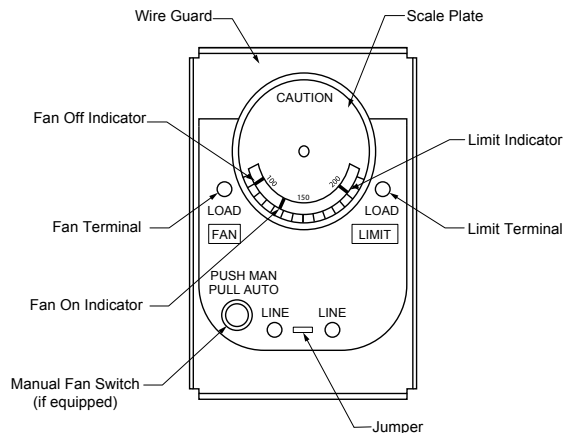
In order to prevent short cycling, the heat anticipator in the thermostats must be set at 0.4 amps as indicated in the diagrams below.

NOTE: For constant fan operation, push the MANUAL-AUTO switch on button to MAN position.

Figure 2



**WARNING: The heat anticipator will BURN OUT IF 25 volts are applied directly to thermostat by shorting out primary control during testing or incorrect wiring. If this happens the warranty on the thermostat is void.**



**HONEYWELL L4064**

Figure 3

5. Connect wiring as shown (All models).
6. Install the oil storage tank or tanks according to the instructions supplied by the manufacturer of the pump.
7. Install brick in firebox according to Fig. 10A for CL-86-96G, Fig. 9B for CL-86-96C, and Fig. 9A for CL-115-170C. For grate installation in CL-86-96G refer to Fig. 10A and for grate and cast liner installation in CL-115-170G refer to Fig. 10B.
8. Do not use a manual flue pipe damper with this furnace.
9. Caution: If this furnace is used as a replacement for an existing furnace make sure there is a minimum of 6" clearance above the warm air plenum as far as 6 feet out from the furnace. Beyond 6 feet there must be a minimum of 1/2" clearance.

This furnace must be connected to a chimney approved for wood burning appliances, ie. ULC S629 (Canada) and UL103 (US). Newmac recommends an 8" round or 8" square chimney flue (inside dimension), however, this may be reduced to a 7" providing there is enough draft at the appliance to operate as designed. It is the responsibility of the installer to ensure there is sufficient draft in all cases. Draft should be between -0.03 and -0.05 ins wc. No other appliance should be connected to this chimney flue, unless the installation conforms to clause 5 of B365 and providing there is sufficient draft.

*amended April 2003*

The installation must conform with the regulations of the local authorities having jurisdiction with the applicable Electrical Code, and C.S.A. Standard B139 "The Installation Code for Oil Burning Appliances and Equipment" and with the regulations in C.S.A. Standard B365 "The Installation Code for Solid Fuel Burning Appliances and Equipment" when pertaining to supply air plenum clearances and flue pipe installation. The flue pipe must be black 24 ga pipe minimum.

The flue collar is sized so that a trade size flue pipe fits snugly inside it. Joints in flue pipes, including the connection at the appliance and the chimney, shall have at least 30mm (1 3/16") overlap. Flue pipe connections must be secured with at least 3 metal screws or an equivalent mechanical means; and be made tight in accordance with good practice.

The flue products may contain carbon monoxide particularly when the wood fire is being starved for air (made to burn at slow rate). Therefore, the flue pipe must seal tight and must not be inserted into the return air stream of the circulating blower.

Wood storage should conform to local bylaws, and should not be within minimum clearances for combustible surfaces as shown. This furnace must be installed by a qualified furnace serviceman.

- **COMBUSTION AIR:** Where fans are used in the fuel storage area, they should be installed so as not to create negative pressure in the room where the solid fuel burning appliance is located.
- **OUTSIDE COMBUSTION AIR:** Provision for outside combustion air may be necessary to ensure that fuel-burning appliances do not discharge products of combustion into the house. Guidelines to determine the need for additional combustion air may not be adequate for every situation. If in doubt, it is advisable to provide additional air.

Outside combustion air may be required if:

1. The solid-fuel-fired appliance does not draw steadily, experiences smoke roll-out, burns poorly, or back-drafts whether or not there is combustion present;
2. Existing fuel-fired equipment in the house, such as fireplaces or other heating appliances, smell, do not operate properly, suffer smoke roll-out when operated, or back-draft whether or not there is combustion present;
3. Any of the above symptoms are alleviated by opening a window slightly on a calm (windless) day;
4. The house is equipped with a well-sealed vapor barrier and tight lifting windows and/or has any powered devices which exhaust house air;

5. There is excessive condensation on windows in the winter; or
6. A ventilation system is installed in the house.

If these or other indications that infiltration air is inadequate, additional combustion air should be provided from the outdoors.

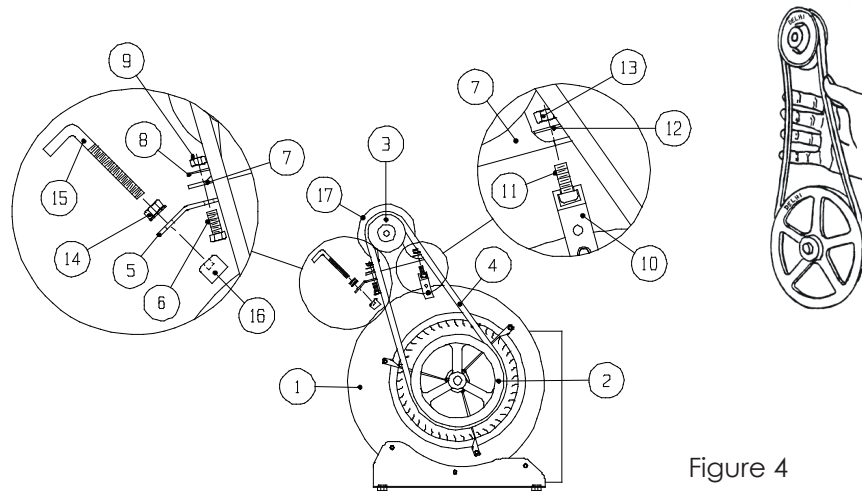


Figure 4

### **BELT TENSION**

When adjusting the proper pulley setting make certain that the belt is able to flex at least one inch without movement of the motor pulley.

### **DUCT INSTALLATION**

To prevent excessive noise and temperature rise, limit the minimum return air duct size to at least 250 square inches (in<sup>2</sup>). Because the unit may be used as a gravity furnace when the power is off, the following is recommended:

1. Locate the furnace as centrally as possible in the building so the best warm air distribution may be enjoyed.
2. Use an extended plenum (central duct) at least one size larger than called for in National Warm Air Standards.
3. Use a minimum pipe size of six inches in diameter in runs and in no case smaller than five inch diameter.
4. Slope extended plenum and runs as much as possible to facilitate gravity flow of warm air.

Minimum Duct Sizes			
Model	Return Air	Supply Air	Static Pressure
CL86/96	250 sq. in.	180 sq. in.	.20" W.C.
CL115	250 sq. in.	220 sq. in.	.20" W.C.
CL140	250 sq. in.	220 sq. in.	.20" W.C.
CL155	280 sq. in.	240 sq. in.	.20" W.C.
CL170	300 sq. in.	260 sq. in.	.25" W.C.

Figure 5

The provided chart gives the MINIMUM free area duct size. The supply air extended plenum should be 8 – 10 feet out from the furnace with the sizes shown in the chart, then gradually transitioned to the end of duct system. If the plenum is lower than 24 inches high, increase the duct size proportionately. The Supply Air free area for CL-115 C&G is the same as CL-140 C&G because the wood burning portion of the furnace can produce 140,000 BTU.

### **HUMIDIFIER**

Install humidifier in the return air plenum. This prevents possible damage due to excessive temperatures when there is a power failure. Metal connecting ducting from the warm air plenum should be used.

### **OIL FIRED BLOCKED VENT SWITCH - MODEL WMO-1**

Refer to the Newmac and Field Controls Instructions enclosed in the WMO-1 package.

Do not use the WMO-1 Blocked Vent Switch with the Newmac SVS Sealed Vent System

When installed on the chimney vent or on the appliance burner plate according to these instructions, the manually reset WMO-1 blocked vent switch is designed to shut off power to the oil burner if the hot flue gases in the chimney vent connector pipe back up sufficiently to activate it. The WMO-1 switch is required on new Newmac oil-fired and combination furnaces or boilers installed in Canada. It must be installed by a qualified installer in accordance with the manufacturer's installation instructions. Electrical wiring must be in accordance with applicable codes and the Canadian Electrical Code. Before leaving the appliance check that the WMO-1 switch and its cover are tightly secured.

## **INSTALLATION ON THE BURNER PLATE - COMBINATIONS**

1. Remove the 5/8" diameter plug in the burner plate. Cut or file a hole in the rigid fibreglass insulation, behind the 5/8" hole in the burner plate, large enough that the WMO-1 securing nut will seat against the back of the burner plate. Remove one of the securing nuts from the tube of the WMO-1 assembly. Tighten the remaining nut onto the tube as far as possible.
2. With the WMO-1 assembly outside the burner plate, insert the threaded tube end into the 5/8" diameter hole in the burner plate, re-install the first securing nut onto the tube on the inside of the burner plate. Tighten securely.

CAUTION: Disconnect the electrical power supply before wiring the WMO-1 assembly.

3. Using suitable AC90 flexible (BX) conduit or equivalent, wire the WMO-1 switch in series with the appliance limit circuit. Connect at the burner junction box.
4. Check the operation of the WMO-1 switch before leaving the appliance. The WMO-1 switch is reset by pushing the square red button.

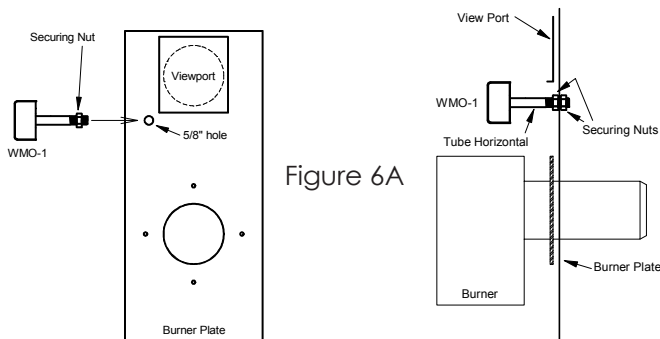


Figure 6A

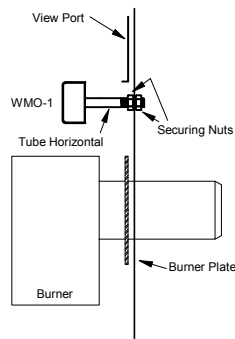


Figure 6B

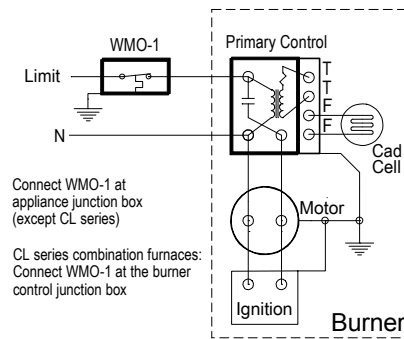


Figure 6C

## **WMO-1 BLOCKED VENT SWITCH CHECK**

Note: take appropriate precautions - this test can produce soot, smoke and fumes. The appliance should not be left unattended during the test.

1. With the appliance shut down, block the vent pipe at the downstream (chimney) side of the barometric damper.
2. Start the appliance.
3. The WMO-1 switch should stop the oil burner in less than 10 minutes.
4. After the test, turn off the appliance and let it cool.
5. Remove the blockage from the vent pipe.
6. Reset the WMO-1 switch by pushing in the square red button until it clicks.
7. Ensure that the appliance is in a safe condition.

## **MAINTENANCE AND CLEANING**

The WMO-1 switch assembly should be checked and cleaned at least once a year and after any time the switch has shut off the burner.

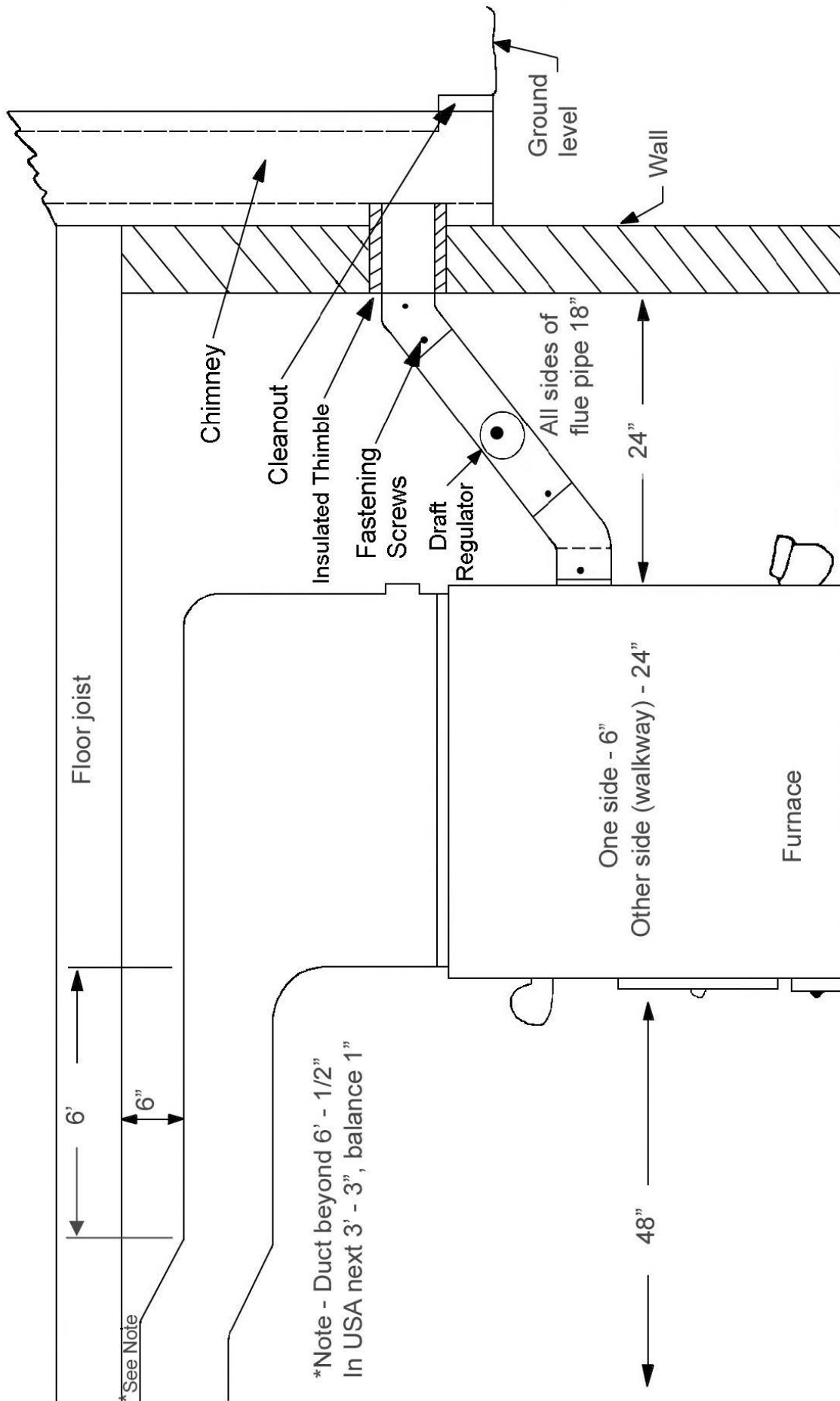
### **CLEANING PROCEDURE**

1. Switch off the electrical power to the appliance.
2. Remove the WMO-1 cover.
3. Remove the two mounting screws for the thermodisc temperature sensor.
4. Carefully pull the sensor to one side.
5. Using a suitable soft brush or cloth carefully clean any soot from the surface of the sensor and the inside of the 5/8" diameter tube.
6. Replace the sensor and secure with its mounting screws.
7. Check that the wiring is in good condition and secure.
8. Check that the 5/8" diameter tube and its securing nuts are tight.
9. Replace the cover and tighten the mounting screws.
10. Check the operation of the WMO-1 switch as described above.

## **TROUBLESHOOTING**

If for any reason the WMO-1 switch shuts the appliance down during operation, the cause of the shut down should be investigated and corrected before resetting the switch and restarting the appliance. The blockage switch is reset by pushing the square red button until it clicks.

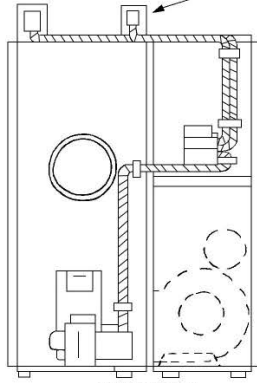
Figure 7 - FLUE PIPE CONNECTION & MINIMUM INSTALLATION CLEARANCES



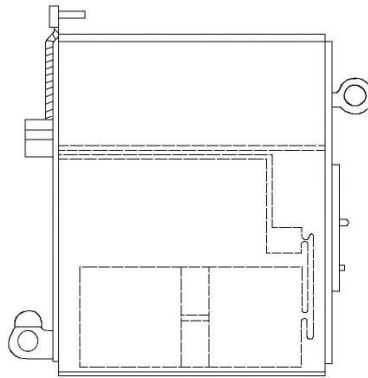
Mount Limit Control Bracket flush with outside edge of plenum for CL115-170C & G

Mount Limit Control flush with inside edge of plenum for CL86-96C & G

Figure 8 - CONTROL LOCATIONS

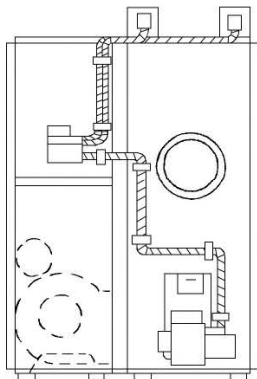


RIGHT HAND

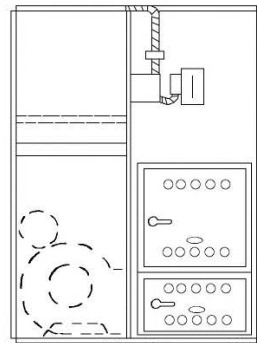


RIGHT HAND C

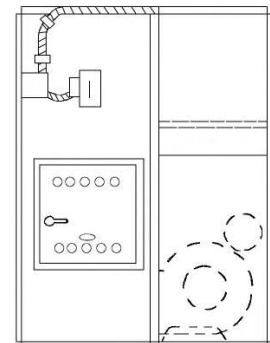
\*Flexible conduit should be clamped at 18" intervals, within 4" of a junction box, and routed away from warm air plenum



LEFT HAND



RIGHT HAND G



LEFT HAND C

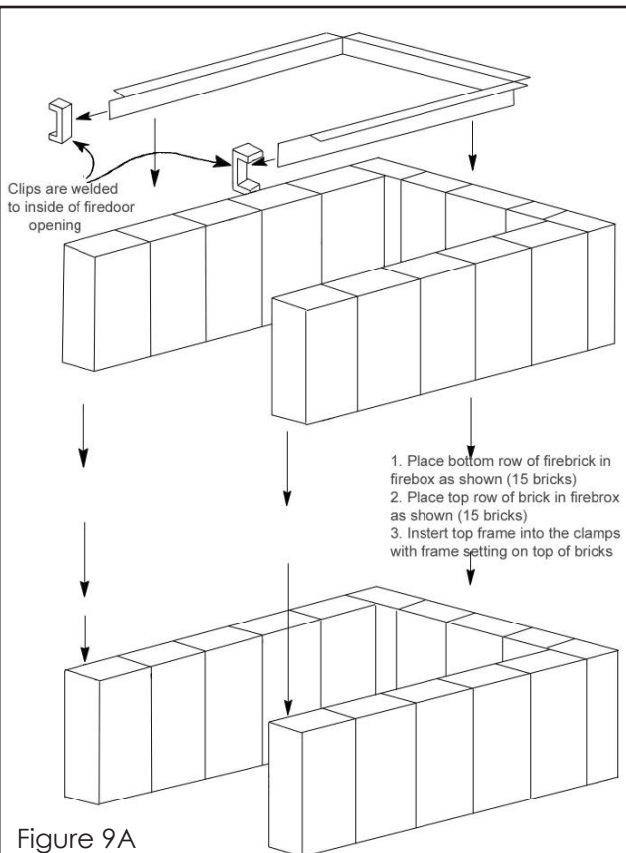


Figure 9A

Combination Models CL115C-170C Firebox Installation Procedure With Stainless Steel Front

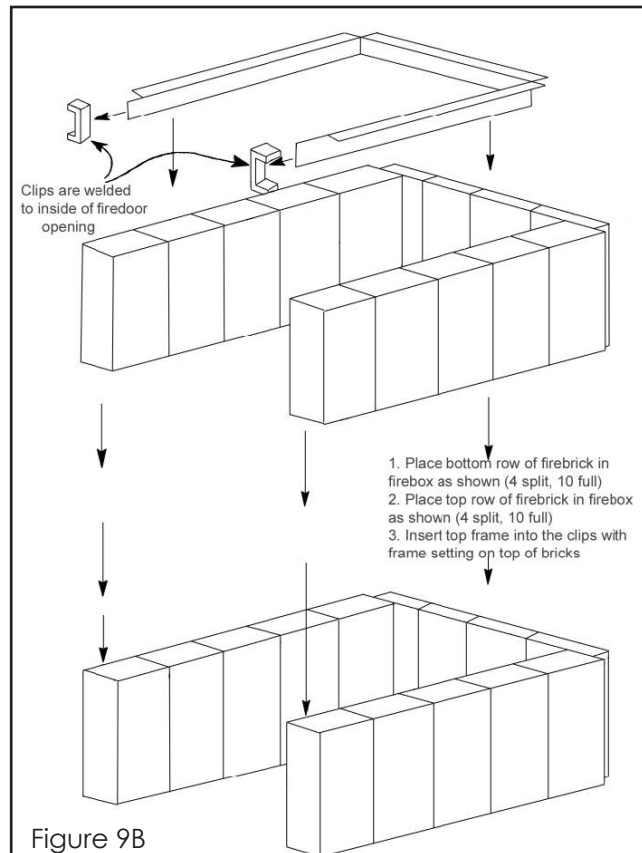


Figure 9B

Combination Models CL86C-96C Firebox Installation Procedure With Stainless Steel Front



## GRATES

Shipping retainer should be removed to allow grates to turn and shake freely.

### TO REMOVE A GRATE

1. Remove front casting
2. Slide grate as far forward as possible
3. Lift rear end of grate approximately 6 inches
4. Slide grate back toward rear of firebox and up

### TO INSTALL A GRATE

1. With rear end of grate higher than front end slide grate forward so shaft is through grate retaining hole at front of firebox.
2. Lower rear end of grate and slide rear shaft of grate into rear retaining hole.
3. Replace front casting if coal is to be burned.

## FRONT CASTING

Use for coal burning only.

Installation in CL86-96G

1. Remove top brick lock
2. Put casting through firedoor and hold tight to inside front of firebox above the brick. Square pattern on casting should be facing into the firebox.
3. Lower casting so it rests on round shaft of grates.

## FRONT CASTING

Use for coal burning only.

Installation in CL115-170G

1. Put casting through firedoor and hold tight to inside front of firebox above top of liners. Square pattern on casting should be facing into the firebox.
2. Lower casting so it rests on round shaft of grate.

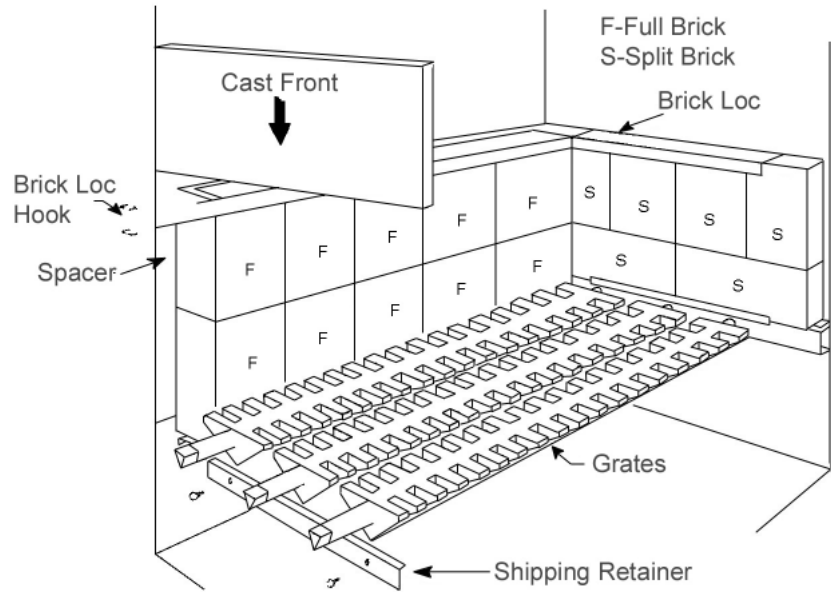
## CAST LINERS

In CL115-170G - Hook liner pieces in retainers as shown. Install on sequence shown by numbers 1 to 6. The other 3 pieces are installed on opposite side from 4, 5, 6 beginning at back corner.

NOTE: This front casting is not required when burning wood. However, this casting or provided grate plate should be placed on top of the grates for more efficient wood burning and to prevent wood coals from falling through and warping grates.

## CL86G-96G FIREBOX

Figure 10A



## CL115G-170G FIREBOX

Figure 10B

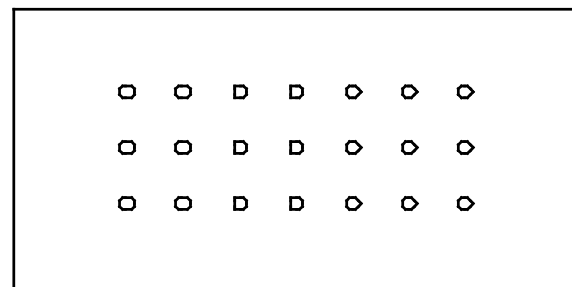
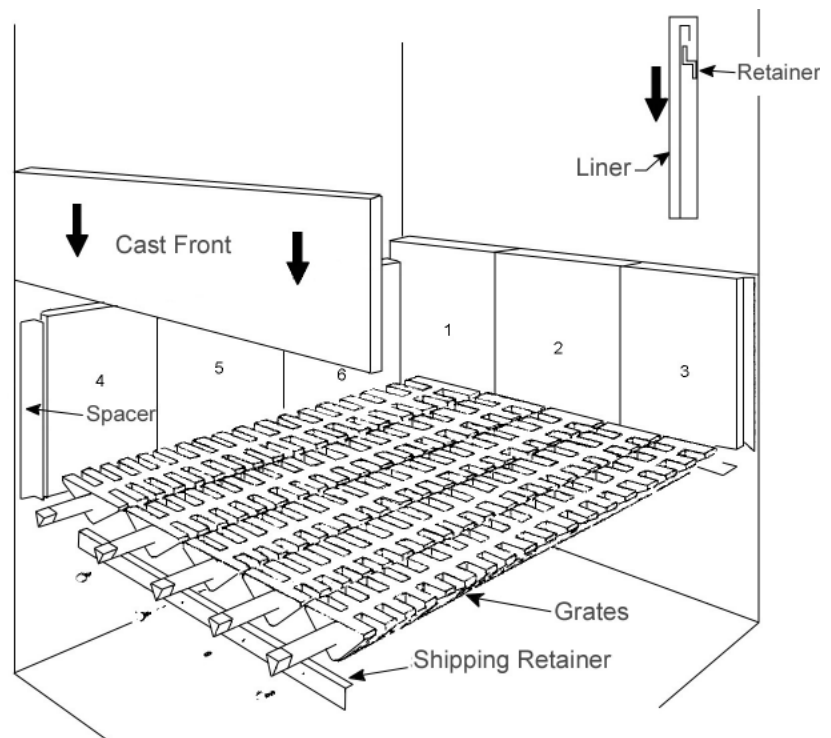


Figure 10C

Grate Cover

# COMBINATION OPERATING INSTRUCTIONS

1. When the installation is complete set both burner and solid fuel thermostats to the bottom of the scale.
2. Close the supply switch and turn the solid fuel thermostat above room temperature. The draft fan should operate.

If this fails to happen, check (a) power supply, (b) voltage on secondary side of control relay – transformer, (c) correct wiring hook up, (d) correct voltage at fan motor. If (a) to (d) check OK, the fan is defective.

3. Open the line switch, turn the solid fuel thermostat to its lowest setting and the oil burner thermostat above room temperature. Remove the air bleed plug from the pump (refer to Diagram attached to pump) (a) open oil supply valve, (b) place a container in position to catch foam, (c) close the line switch and after pure oil is emitted, open the line switch and replace bleed plug, (d) close the line switch and the oil burner should run normally after a few seconds.
4. Adjust oil burner air control so that a # 1 or less smoke is arrived at by means of a smoke test. The damper in the wood firedoor must be closed during this procedure. If a smoke tester is not available, slowly close the air adjustment until the fire becomes smokey. Slowly open the air adjustment until there is a small amount of smoke on the flame tips.
5. By means of the barometric draft regulator – adjust to a - .03 draft at the chimney. This must be done by means of a draft meter. The maximum draft is not to be more than - .05 as damage can result to the furnace when used as a gravity unit. The test must be made between the flue collar on the furnace and the draft regulator. A flue gas analysis should be made and the unit adjusted so that between a 8 % and 10 % CO<sub>2</sub> is registered.
6. The combination fan & limit switch is thermally operated. The limit side is connected in series to the power supply to the oil burner. Because of blower failure, dirty filters or some other cause, the present limit will interrupt the power supply to the burner. If the limit switch shuts the unit down it may be because of a common fault, not enough return air supply or a supply air grill being covered by a rug. The load side of a limit also supplies power to the transformer – relay. If the unit goes off on limit, the draft fan will shut off.
7. The fan side of the combination control is adjustable with fan on and off fingers. If the furnace fan has been adjusted to deliver a 75o F temperature rise (difference between return air and supply air) a setting of fan on 130o F and off at 90 o - 100 o F is comfortable. The temperature rise is accomplished by speeding up or slowing down the fan by means of the adjustable pulley on the fan motor. Maximum temperature rise is 85 o F on models CL 115-170, and 75 o F on CL 86-96.

The fan speed is adjusted at the factory to give a 75o F temperature rise at a .20" W.C. or .25"W.C. static pressure (air resistance in duct work). Since most duct work does not have resistance of the value the fan speed must be adjusted by means of the following:

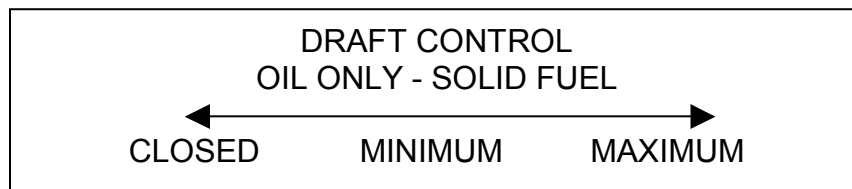
With the oil burner operating, place a thermometer in the warm air supply (place thermometer so that it cannot see the heat exchanger) and measure the temperature after the unit has been operating for at least 5 minutes. (Be sure the blower door is closed) measure the return air (at return air grill). If the difference is less than 75o F slow the fan speed by opening the motor pulley or is it is greater than 75oF close the pulley. In the majority of cases the fan must be slowed.

By means of the motor adjustment bracket, adjust the motor so that the belt may be deflected approximately one inch. This adjustment is important as a tight belt causes excessive fan bearing wear, it uses more electricity and it is noisy.

If the above instructions are followed, continuous air circulation can be comfortably accomplished without the added expense of a two speed motor, simply by using the manual fan switch on the face of the combination control.

8. Before loading the solid fuel firebox, turn the thermostat up to ensure that the draft fan is on: after the fire is established set thermostat to desired temperature. **IMPORTANT:** Learn how to load your solid fuel box with wood (or coal (G model)) so as to maintain a comfortable temperature. The amount of fuel required depends upon the building's heating requirements.
9. The oil burner thermostat on combination furnaces is generally set about 50 lower than the solid fuel side. When the solid fuel thermostat is calling for heat, the draft fan is on. If the fuel has been depleted and cannot keep the temperature up, the oil burner thermostat brings the oil burner on. The NEWMAC COMBINATION FURNACE has a relay that stops the draft fan when the oil burner comes on, making the oil fuel side efficient, and making the furnace operate safely.
10. (a) By means of a slide Draft Control above the firedoor, you can control the amount of combustion air allowed into the fire box. Move this slide plate to the open position that allows sufficient combustion air in for the type of solid fuel you are burning. For coal it must be maximum; for wood it will vary with size and type. For added efficiency, when heating with oil only, close the slide plate and adjust your solid fuel thermostat to its lowest temperature setting.

(b) Furnace label illustration



11. For safe operating procedures for solid fuel burning, refer to the notice label on the furnace.

- The furnace room must have adequate air for combustion. If the unit is in a confined space, one square inch of free air access for every 1,000 BTU must be provided.
- Use a chimney suitable for solid fuel, which must be kept free of accumulations of soot and ash.
- Accumulations of soot and ash not only create a fire hazard but cause poor efficiency.
- In case of a soot fire, move all thermostats to their lowest setting, close the barometric draft regulator and call the fire department.

### **POWER FAILURE**

In case of a prolonged power failure, remove the blower access doors to allow freer air movements. The draft fan will be off. If more combustion air is needed, open the damper in the furnace door.

When the electrical power is restored make sure panels are installed in original position and slide plate damper is closed. DURING POWER FAILURE OPERATION: DO NOT CHARGE the solid fuel side higher than half way up the liner because overheating may result at the warm air outlets.

## **OIL BURNER OPERATING INSTRUCTIONS**

### **GENERAL CARE**

This burner is fully automatic in operation. All adjustments have been carefully set and should not be changed. Keep burner free from excess dirt and moisture. Any oil leaks, however small, should receive immediate attention. The oil filters should be cleaned once a year by the service man. The motor should be given a few drops of light oil two or three times a year. No other parts require lubrication.

### **FUEL**

The supply tank should be kept at least one quarter full. Outside underground storage tanks if not equipped with a special gauge, are gauged by stick. Recommended grade of fuel: No. 2 Furnace Oil.

CAUTION:

1. DO NOT USE GASOLINE CRANKCASE OR ANY OIL CONTAINING GASOLINE.
2. DO NOT TAMPER WITH THE UNIT OR CONTROLS, CALL THE SERVICEMAN.
3. Do not attempt to start burner when excess oil has accumulated, when the heating unit is full of vapour, or when the combustion chamber is very hot.
4. Do not start the burner unless the blower access door is secured in place.
5. DO NOT BURN GARBAGE OR PAPER IN THE HEATING SYSTEM, AND NEVER LEAVE PAPER OR RAGS AROUND THE UNIT.

### **HEATING PLANT**

Give your Heating unit the proper care and attention. The use of the furnace as an incinerator is not recommended. Heating unit flues should be kept clean for economical operation. Dampers are set by installation men and should not be changed. Free ventilation must be permanently provided in the room where the burner installation is made.

### **CONTROLS**

The operation of the burner is normally controlled by room thermostat, which may be set for any temperature desired, usually 70 0 F. If a higher or lower temperature is desired, the indicator should be moved to the proper point on the scale. To shut down burner at any time, turn main switch to off position.

## **SUMMER SHUT DOWN**

When burner is not to be used during the summer months turn off burner main switch. If the heating unit room is damp, protect burner against dirt and moisture with light cover.

## **SAFETY SHUT-OFF**

An emergency oil shut-off valve should be installed as required by local ordinance. Always keep the valve shut-off if the burner is shut down for an extended period of time.

## **SERVICE**

If burner fails to run when the thermostat or other operating control is calling for heat see that the main switch is turned on and that fuses are not blown. Be sure there is oil in the supply tank and that the electric service to the building has not been temporarily interrupted. Press button on burner control box and if burner still fails to start call the service man. A periodic inspection of the burner is recommended.

# **BURNING WOOD OPERATING INSTRUCTIONS**

When installation is complete, close the supply switch and turn the thermostat above room temperature. Check to make sure the forced draft fan above the fire door is operating when the thermostat is set above room temperature. The draft fan should be off when thermostat is set below room temperature. The maximum draft is not to be more than - .05 as damage may result to the furnace when operated as a gravity unit. The circulating air blower speed is adjusted at the factory to give an adequate temperature rise under most conditions. However, because of various temperatures that can result from burning wood, the blower speed can be adjusted by the motor pulley. Under no circumstances should the temperature rise be more than 80oF (27oF).

NOTE: Before loading the fire box, turn the thermostat up to ensure that the draft fan is on. This provides an air curtain to avoid smoke roll out during loading and fans the coals to assist the ignition process of your new fuel. It also helps to promote draft when there is inadequate draft. After the fire is established, set the thermostat to desired temperature.

To start the fire, turn up the thermostat to Maximum setting to turn ON Forced Draft Fan. Place some newspaper crumpled up in the bottom of the firebox on top of the minimum requirement of 2" of sand , ash or firebrick. Add some small kindling and light the fire. When the fire starts add some larger pieces of kindling or wood until you have a good fire. The idea is to ultimately end up with a good bed of ash and coals which helps to maintain a good controllable fire.

When reloading the firebox there will be a build up of ash and coals from the previous fire. Rake the coals mixed with ash to the front of the firebox which places the coals at the front. Throw in your wood and the fire should light in a few minutes. When the firebox gets full of ash (within one inch of door level), some morning , before loading the firebox , push or rake the coals to the rear of the firebox. Remove the ash from the front of the firebox using only the shovel supplied for this purpose. When the ashes only are removed from the front , rake the coals from the back to the front. Throw in your wood and the fire will again be burning in a few minutes. The fire burns best when the ashes are 3" to 4" below the fire door level. Return wood thermostat in main living space to regular setting. For safe operating procedure, refer to the "Notice" label on the furnace.

## **COMBUSTION AIR CONTROL**

The amount of combustion air allowed to enter into the firebox can be controlled by means of the Draft Control slide on the draft fan mounting plate. Set this slide plate to the position that allows sufficient combustion air in for the type of solid fuel being burned. Normally the setting is in the center between maximum and minimum, then if additional control is needed it can be adjusted accordingly. When burning coal it must be set at maximum, for burning wood it will vary with size and type. DO NOT LET THE COALS/ASHES BUILD UP ANY HIGHER THAN HALF WAY UP THE FIRE BOX LINER.

## **POWER FAILURE**

In case of prolonged power failure, remove the blower access door and air filters. The draft fan will be off, so if more combustion air is needed for the wood fire, open the slide plate damper in the fire door. This damper must be closed when power is returned to normal. DO NOT CHARGE the fire box higher than half way up the liner as overheating may result.

# COAL BURNING TIPS

Burn ONLY anthracite (hard) coal of the "chestnut" size. Bituminous (soft) coal is not recommended because it has a high ash and sulfur content which means more cleaning and greater pollution. Also bituminous coal produces excessive smoke and an excessive amount of dirt and ash, which will plug the heating unit and the flue pipe possibly causing smoke damage or danger of carbon monoxide poisoning.

Coal is not as easy to burn as wood. It requires patience and a very specific and regular procedure of loading, shaking, adjusting, etc. If you do not follow the correct procedure, the coal fire will go out. This can happen in a very short space of time and once the process of extinction has started, it is almost impossible to reverse.

After a coal fire goes out, all the coal must be emptied from the furnace and the complete starting process must be repeated. The coal burning learning process is often long and frustrating, but once the proper procedure is established and followed, coal burning becomes a reasonably simple process, with the benefits of long burn times and evenness of output over the entire length of burn.

## **STARTING UP A NEW FIRE**

The flue draft must be .05" W.C. to allow combustion gases to flow freely out the chimney. Turn the solid fuel thermostat up to a setting well above the room temperature to start the draft fan. Use paper and dry kindling to start the fire. Add small compact pieces of hardwood when the kindling is burning hot. Keep the draft slide plate in the ash door fully open to establish a hot fire. The ash door may be opened for start-up. However, close the ash door before opening the fire door to prevent smoke from emitting out the fire door opening.

When a substantial bed of red coals is built up start adding coal, small amounts at a time. Continue adding small amounts of coal until there is a solid bed of burning coal. Do not add too much at one time. Allow sufficient time between each small loading (at least 10 to 15 minutes) so that each loading has time to thoroughly ignite before the next load is put in. For maximum burning efficiency, always fill the furnace to the highest level possible. A deep bed of coal always will burn more satisfactorily than a shallow bed.

Keep the draft fan running until you are sure the fire is continuing to burn hot, then turn the thermostat to the desired room temperature setting. If the ash door has been opened, close it to prevent over firing, which can severely damage the furnace.

## **LOADING**

Coal should be added to the fire at least every twelve hours. Coal never should be added unless there is a reasonably hot fire. If the fire is burning hot and there is a deep bed of coals, full loads of coal can be added at any time. However, if there is not a deep bed of coals, it is best to add small amounts of coal at first.

## **SHAKING**

Shaking should only be done only with a hot fire.

Shaking should be done at least once a day, but not more than twice a day.

Best results from shaking will occur if short "chopping" strokes are used rather than long even strokes.

The amount of shaking is critical. Too little or too much can extinguish a fire due to blocked air flow. The proper amount normally occurs when red coals first start to drop through onto the bed of ashes. **Be sure that a small amount of ash is left on the grates to protect them from the direct heat of the burning coal. Grates must be kept level or they will warp.**

## **MAINTENANCE**

Ashes never should be allowed to accumulate in the ash pit so they in any way impede the flow of combustion air to the fire. Excess ash accumulation can cause the fire to go out, and also can cause severe damage to the grates because they cannot cool from a flow of air beneath them. Ashes MUST be removed daily and put in a metal container with a lid.

Clinkers can occur in any coal furnace. They are pieces of fused ash that are hard. They can become large, and therefore cannot be shaken through the grates in a coal furnace. When there is an appreciable accumulation, the fire will go out because insufficient air is allowed to pass through the clinkers to the burning coal. Once clinkers have formed, they can be removed only from above the grates. This usually means the fire must be allowed to die out before they can be removed.

Clinker formation can occur from a number of different causes or a combination of causes. Some of these are as follows:

- Too hot a fire (too much draft)
- Too shallow a bed of coals
- Too deep a bed of coals
- Excess shaking
- Poking the fire from the top
- Poor quality coal – excess ash content
- Too little air (draft) after a long hot fire

## **SAFETY**

Whenever a loading door is opened, it always should be cracked slightly before fully opening to allow oxygen to enter and burn any combustible gases that are present. Failure to do this could result in sudden ignition of the unburned gases when the door is opened.

A furnace never should be filled with excess coal so that the flue gas exit is in anyway blocked or impeded. Burning coal generates carbon monoxide. If the flue gas exit is blocked, the carbon monoxide can be forced out of the furnace into the room with possible fatal consequences. Never burn coal in any furnace that does not have an airtight, unified chimney system. The furnace should be used only with chimney systems that provide a strong, reliable draft. With the exception of the start up period, an ash pit door never should be left open. Do not use an automatic stoker with this furnace.

# **MAINTENANCE**

Failure to follow these instructions may result in poor efficiency, excessive corrosion of the heat exchanger and the possibility of a creosote fire.

## **DAILY**

Furnace model with grates must have the ashes removed daily. This is to prevent warping of the grates and prevent any interruption in the combustion air flow. Ashes must be put in a metal container with a lid on it before moving the ashes to the outdoors.

## **MONTHLY**

Furnace heat exchanger and fluepipe – Furnaces without grates must have ashes removed on a minimum of a monthly basis depending on the ash build up. The complete heat exchanger and flue pipe should be thoroughly inspected for creosote deposits, ash buildup, etc. Creosote or ash deposits must be removed by scraping and/or brushing the deposits from the heat exchanger surfaces. An industrial vacuum cleaner may be used to assist in the removal of such deposits. A complete cleaning must be done immediately at the end of each heating season. If this is not done, condensation from the summer, or any other source, will mix with the ash or creosote and cause corrosion of the heat exchanger. Corrosion is not covered under warranty.

NOTE: Establish a routine for the storage of fuel, care of the appliance, and firing techniques. Check daily for creosote buildup until experience shows how often cleaning is necessary. Be aware that the hotter the fire, the less creosote is deposited and weekly cleaning may be necessary in mild weather even though monthly cleaning may be enough in the coldest months. Have a clearly understood plan to handle a chimney fire.

## **CHIMNEY**

Chemical chimney cleaners are not recommended as they could damage the furnace heat exchanger and flue pipe.

One of the most efficient methods to clean a chimney is to lower a stiff brush (chimney brush) tied to a heavy weight down the chimney on a rope. Work the brush up and down the chimney to scrape the accumulated creosote and soot off the chimney walls. Remove the residue from the cleanout at the base of the chimney.

## **SEMI-ANNUALLY**

Draft Fan – oil motor with #20 non-detergent oil.

## **ANNUALLY**

Burner Motor and Blower Motor – oil with #20 non-detergent oil. In the spring, after the furnace is shut down for the summer, clean the heat exchanger of all soot, ash and creosote accumulation, remove all ashes, clean the flue pipe and clean the chimney.

# NOTICE

## **IMPORTANT**

- This furnace must be installed according to CSA Standard B139 "Installation Code for Oil Burning Equipment". Furnace must be installed as per Newmac clearances. Venting must be installed according to CSA Standard B365 "Installation Code for Solid Fuel Burning Appliances and Equipment".
- The solid fuel side of this furnace is designed to burn wood only, unless equipped with grates thus allowing the burning of coal. Burn anthracite coal only.
- Proper flue draft must be maintained to allow combustion gases to flow freely out the chimney.
- ONLY chimney approved for wood burning may be used, ie. ULC S629-650 C, UL 103 or masonry chimney is acceptable.

## **FOR SAFE OPERATION**

- Load fuel carefully or damage may result.
- Do not load solid fuel higher than the fire box liner.
- Do not use chemical or fluid fire starters.
- Do not attempt to light a fire when there is oil vapour present.
- Minimum flue draft - - .03" W.C.
- Maximum flue draft - - .05"W.C.
- Do not burn garbage, manufactured fire logs, gasoline, naphtha or crankcase oil.
- Keep the furnace doors tightly closed except for refueling and cleaning.
- Maintain all door seals in good condition.
- To maintain furnace efficiency and prevent soot fires, clean the heat exchanger, flue pipes, and chimney at the end of each heating season and as frequently as required during the heating season to prevent soot accumulation. The furnace and flue must be in good condition. Turn off power to the furnace when cleaning the furnace and flue.
- Do not store fuel or combustible material within the furnace clearances.
- Do not use salt wood (driftwood gathered from the seashore).

## **TO PREVENT DAMAGE**

- Do not set the flue draft above -- .05" W.C. as the fire could burn out of control.
- Do not open the furnace door slide plate damper during normal operation.
- Furnaces with grates must have ashes removed daily.
- Furnaces without grates require a minimum of 2" of sand or ash in the bottom of the fire box.

## **SPECIAL PROCEDURES - POWER FAILURE**

1. Remove the blower access door and air filters for better air circulation. If the furnace is in an enclosed area (furnace room) open the door to the room.
2. To control the fire open the slide plate damper in the furnace door. THIS DAMPER SHOULD BE CLOSED FOR NORMAL OPERATION.
3. Do not load the fire box higher than half way up the fire box liner.

## **SOOT FIRE**

Close all sources of air that can reach the fire through the furnace and draft regulator. Ensure the draft fan above the fire door is turned off. Do not attempt to take the flue pipes down until the fire has been completely extinguished.

## **RUNAWAY FIRE**

This can be caused by too high a flue draft or excessive fueling.

1. Close all sources of air to the furnace. Ensure draft fan is turned off.
2. Set the barometric draft regulator wide open to reduce draft. The excessive heat caused by a runaway fire may damage the furnace safety controls. Their operation should be checked before the furnace is returned to service. After a soot or runaway fire inspect chimney connection and chimney.

## **CONVERSION OF CL115/170 C & G TO 5 TONS A/C**

- 3/4" HP Motor Recommended.
- 7" X 3/4" Blower Pulley Recommended (Standard is 8").
- 41" Blower Belt required for 7" pulley.
- See A/C wiring diagram with Honeywell 8405A Relay (or equivalent).
- Install a By-Pass damper or blast as per sketch "Typical A/C Coil Installation".

- For CL115, 140, 155, 170, a minimum supply duct free area of 220, 220, 240, 260 sq. in. respectively, must be maintained at all times during heating the cycle.
- For CL115, 140, 155, 170, a minimum return duct free area of 250, 250, 280, 300, sq. in. respectively, must be maintained at all times during heating the cycle.
- A/C coils installed above heat exchanger should be located over oil section.
- A/C coils installed above heat exchanger should be located as high as possible and no less than 12 inches above the top of the heat exchanger.
- A/C coils must not be located on return air side.
- Ensure condensate from coil does not drip onto heat exchanger surfaces.
- Condensate drip trays must be metal.
- Ensure duct sizes are as specified in Installation, Operating and Service Manual.
- Increased air flows may require more frequent air filter maintenance.

Emerson 3/4 h.p. Single Speed Belt Drive Motor: p/n 2020020

3-1/2" X 5/8" VS motor pulley: p/n 2240008.

Blower pulley, 7" X 3/4": p/n 2240002.

41" Blower Belt: p/n 2240041.

Honeywell 8405A fan center transformer relay: p/n 2010015.

Honeywell 8285A fan center transformer relay: p/n 2010041.

Honeywell 8239B fan center transformer relay: p/n 2010059.

The unit must be installed in accordance with the National Warm Air Heating and Air Conditioning Association Standards or generally accepted equivalent standards. Consult appropriate provincial, state, or local codes. Regulations governing installation requirements may vary from the ones presented here

### **CONVERSION OF CL86 C & G TO 4 TONS A/C**

- 1/2" HP Motor Recommended.
- Use existing motor pulley.
- 7" X 3/4" Blower Pulley Recommended (Standard is 8").
- 39" X 1/2" Blower Belt required for 7" pulley.
- See A/C wiring diagram with Honeywell 8405A Relay (or equivalent).
- Install a By-Pass damper or blast as per sketch "Typical A/C Coil Installation".
- A minimum supply duct free area of 180 square inches must be maintained at all times during heating the cycle.
- A minimum return duct free area of 250 square inches must be maintained at all times during heating the cycle.
- A/C coils installed above heat exchanger should be located over oil section.
- A/C coils installed above heat exchanger should be located as high as possible and no less than 12 inches above the top of the heat exchanger.
- A/C coils must not be located on return air side.
- Ensure condensate from coil does not drip onto heat exchanger surfaces.
- Condensate drip trays must be metal.
- Ensure duct sizes are as specified in Installation, Operating and Service Manual.
- Increased air flows may require more frequent air filter maintenance.

Emerson 1/2 h.p. Single Speed Belt Drive Motor: p/n 2020003

Blower pulley, 7" X 3/4": p/n 2240002.

39" X 1/2" Blower Belt: p/n 2240039.

Honeywell 8405A fan center transformer relay: p/n 2010015.

Honeywell 8285A fan center transformer relay: p/n 2010041.

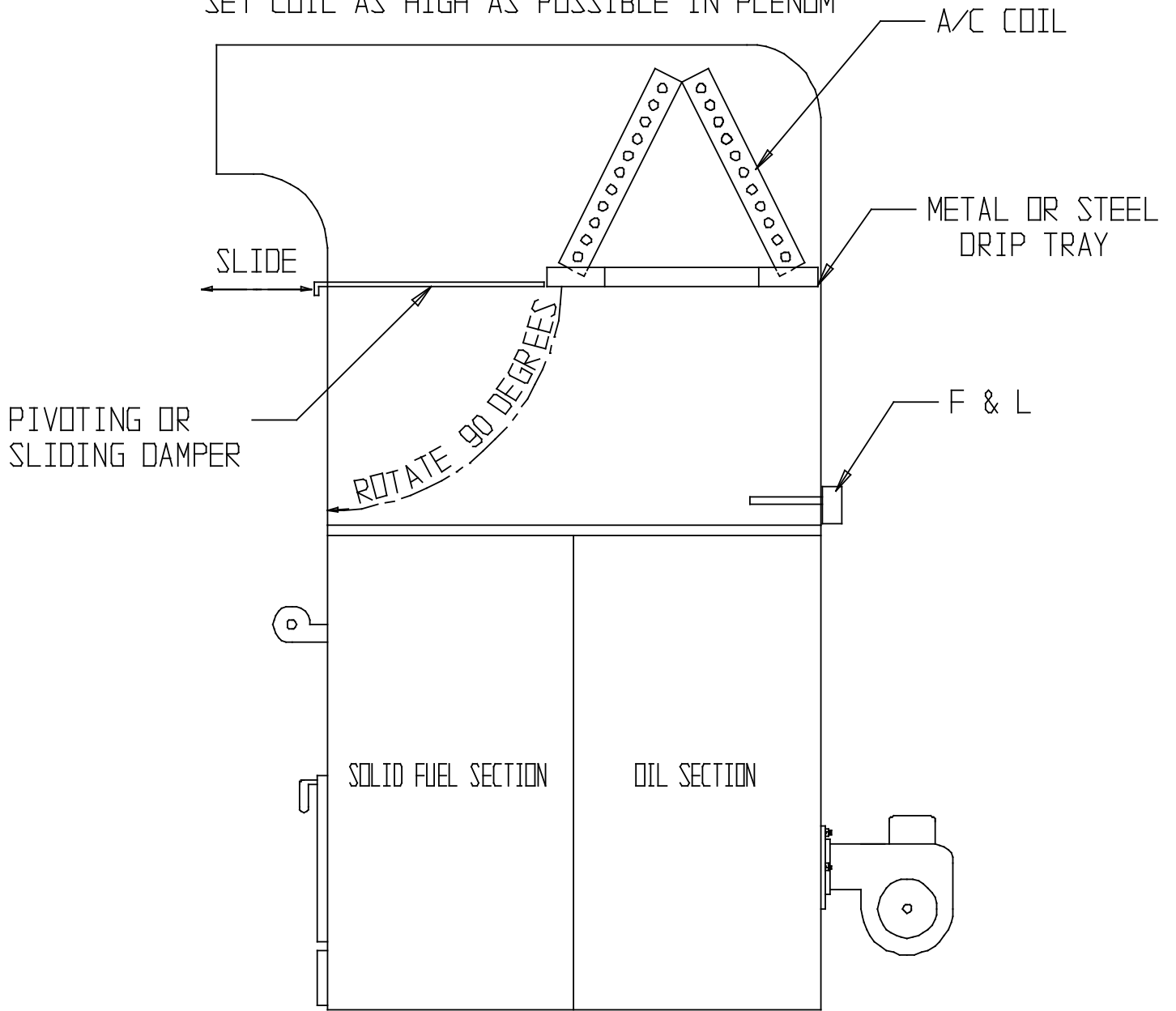
Honeywell 8239B fan center transformer relay: p/n 2010059.

The unit must be installed in accordance with the National Warm Air Heating and Air Conditioning Association Standards or generally accepted equivalent standards. Consult appropriate provincial, state, or local codes. Regulations governing installation requirements may vary from the ones presented here



Figure 11 - TYPICAL A/C COIL INSTALLATION

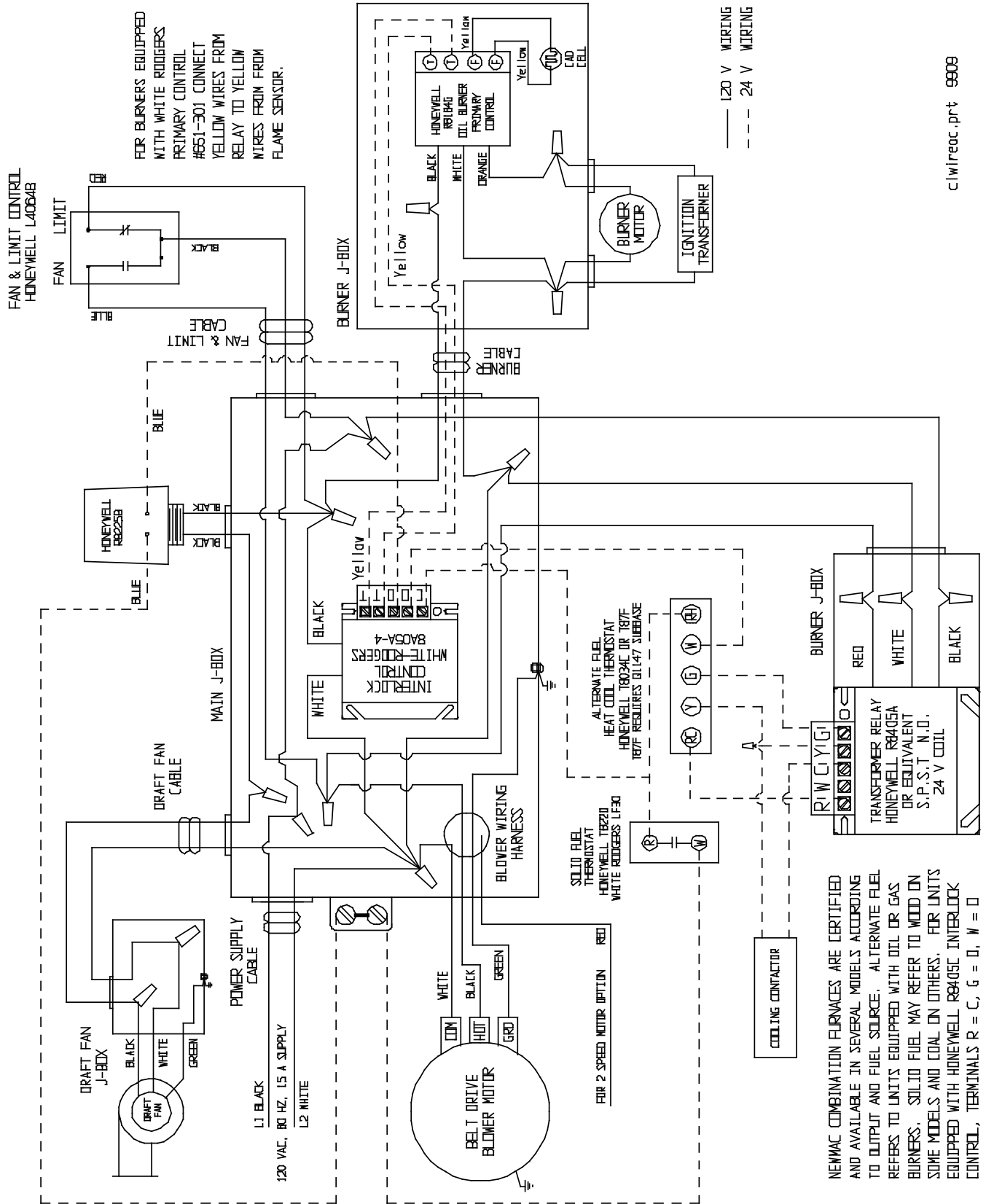
SET COIL AS HIGH AS POSSIBLE IN PLENUM



ACOIL-14072006.PRT

# NEWMAC CL SERIES WIRING DIAGRAM WITH AIR CONDITIONING

Figure 12 - WIRING DIAGRAM WITH AIR CONDITIONING



NEWMAC COMBINATION FURNACES ARE CERTIFIED AND AVAILABLE IN SEVERAL MODELS ACCORDING TO OUTPUT AND FUEL SOURCE. ALTERNATE FUEL REFERS TO UNITS EQUIPPED WITH OIL OR GAS BURNERS. SOLID FUEL MAY REFER TO WOOD ON SOME MODELS AND COAL ON OTHERS. FOR UNITS EQUIPPED WITH HONEYWELL R8034C INTERLOCK CONTROL, TERMINALS R = C, G = O, W = D

Figure 13 - CL SERIES WIRING DIAGRAM

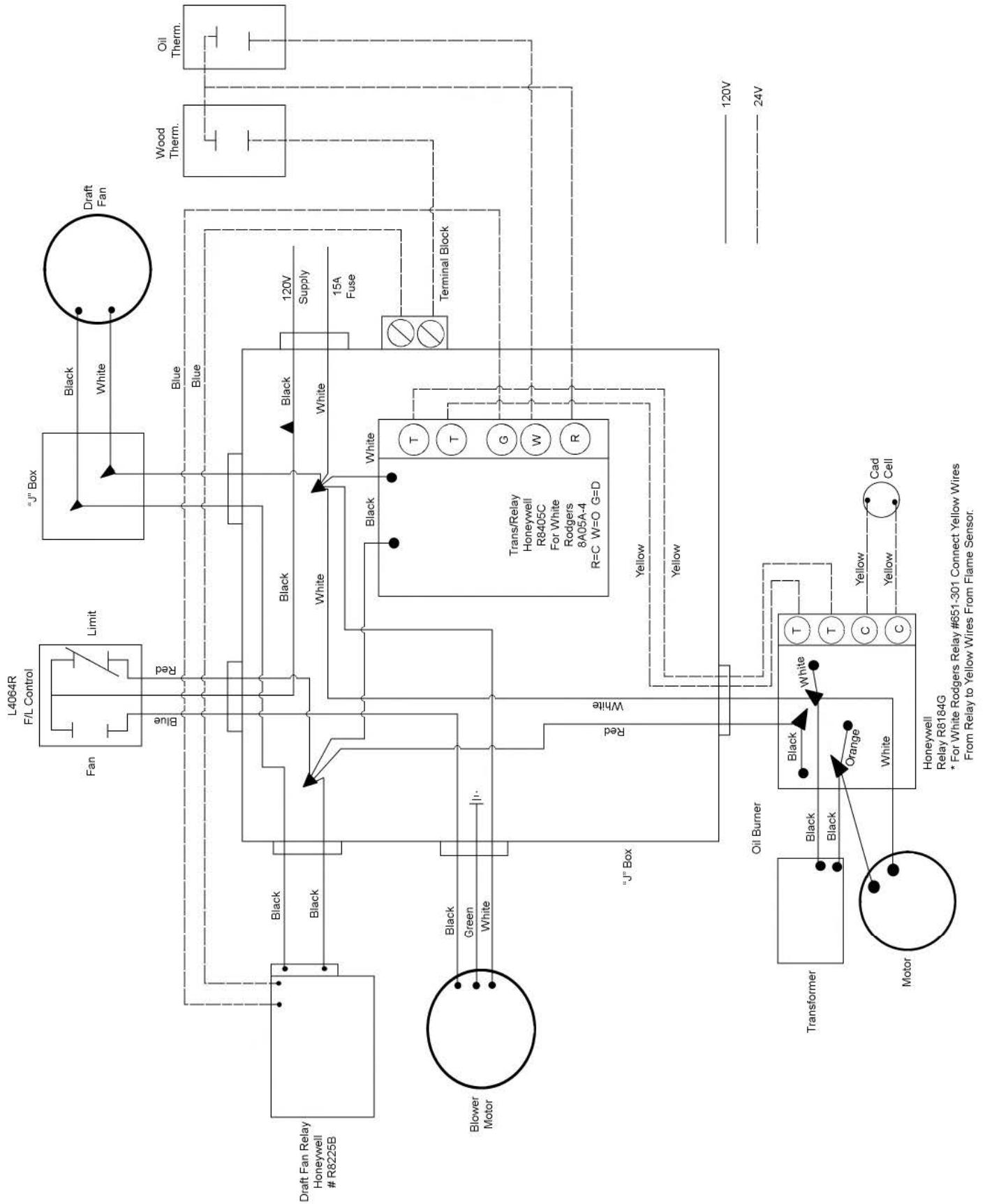


Figure 14 - COMBINATION AIR FLOW

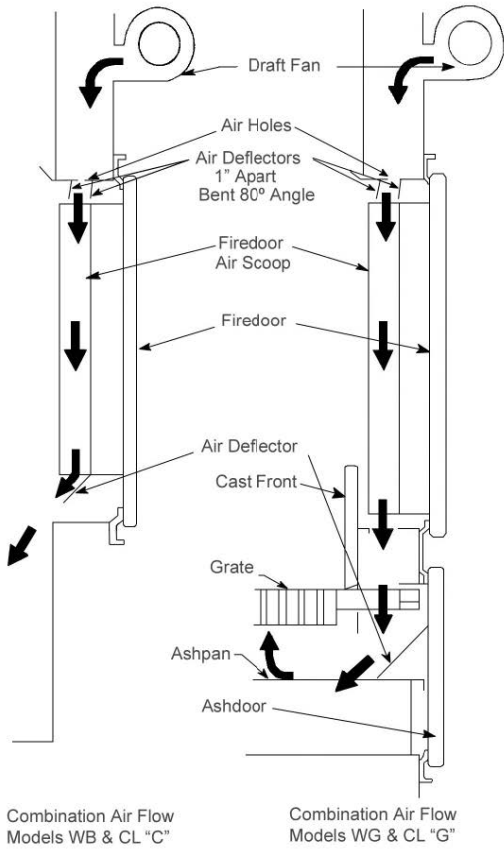


Figure 15 - AIR CONDITIONING INSTALLATION

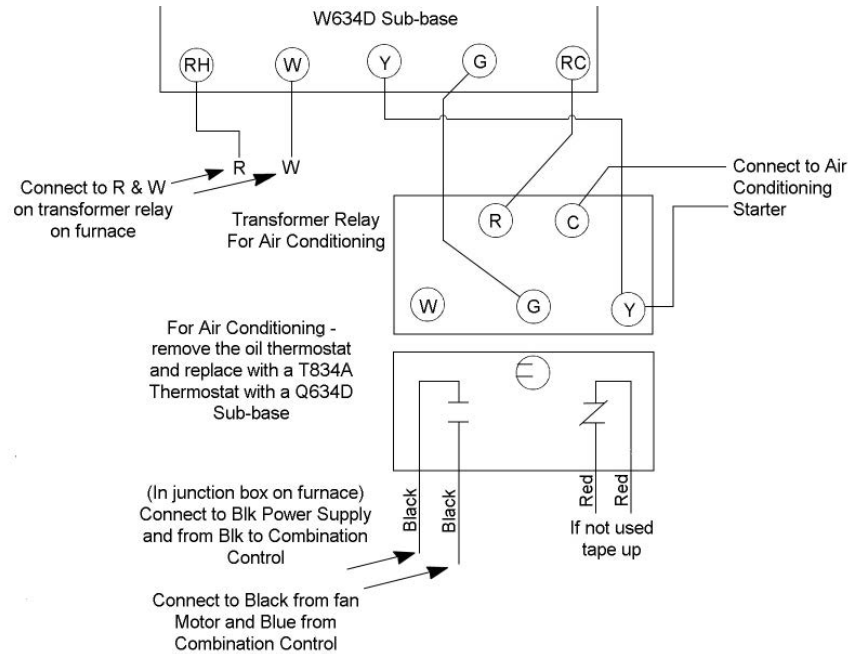


Figure 16B - ELECTRODE SETTING FOR RIELLO

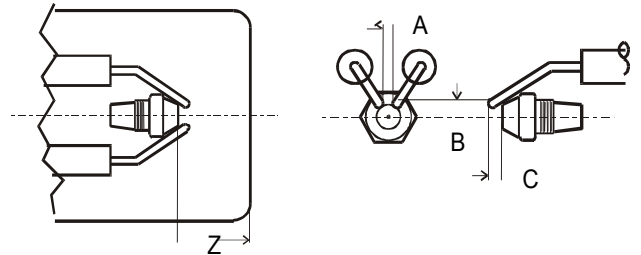


Figure 16A - ELECTRODE SETTING FOR AERO AND BECKETT

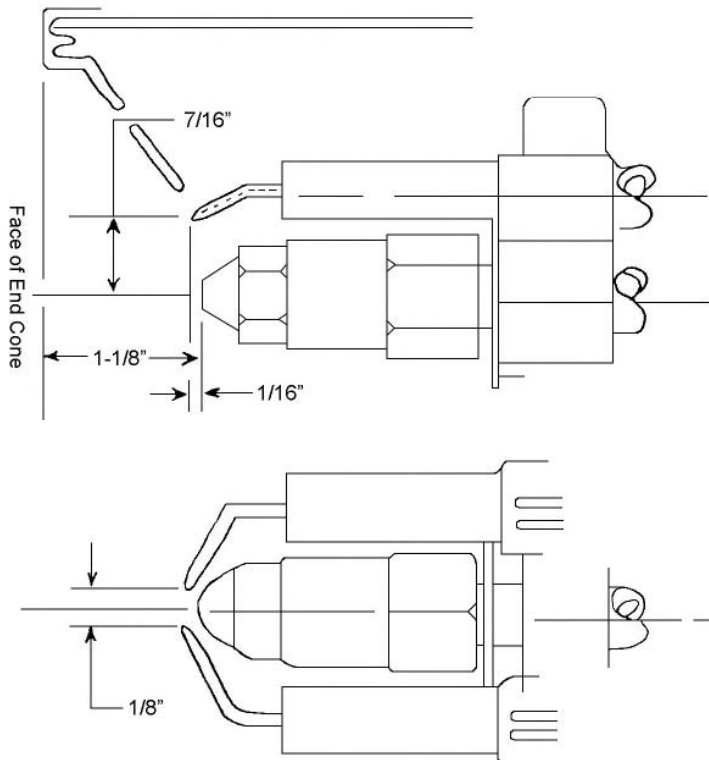
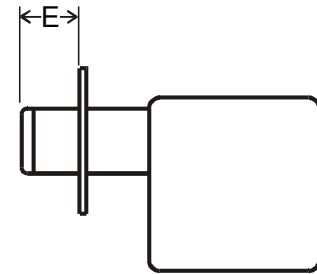


Figure 16C - BURNER INSERTION



DIMENSIONAL RELATIONSHIPS		
	AERO & BECKETT	RIELLO
A	1/8"	5/32"
B	7/16"	13/64"
C	1/16"	5/64" to 7/64"
Z	1-3/8"	-
E	7 7/8"	7 1/2"

Figure 16D

**BURNER SPECIFICATIONS FOR NEWMAC FURNACES \*\*\***

Furnace Model No.	B.T.U.H. Output	Aero Oil Burner Model No.	Nozzle Oil - gph	Input Oil B.T.U.H.	Aero Gas* Burner Model No.	Gas Orifice		Input Gas B.T.U.H.	Adams** Gas Burner Model No.	Gas Orifice	
						L.P.	Nat.			L.P.	Nat.
CL 86C-86G	86,000	F-AFC-2-8	.75 (80°)R	105,000	PGB-220	#23	#7	105,000	HP 225B-PS	#33	ADJ.
CL 96C-96G	96,000	F-AFC-2-8	.85 (80°)R	119,000	PGB-220	#20	7/32"	120,000	HP 225B-PS	1/8"	ADJ.
CL 115C-115G	111,000	F-AFC-3-8	1.00 (80°)R	140,000	PGB-220	#15	15/64"	145,000	HP 225B-PS	#29	ADJ.
CL 140C-140G	140,000	F-AFC-3-8	1.25 (80°)R	175,000	PGB-220	#7	1/4"	170,000	HP 225B-PS	#25	ADJ.
CL 155C-155G	152,000	F-AFC-3-8	1.35 (80°)R	189,000	PGB-220	#5	17/64"	185,000	HP 225B-PS	#24	ADJ.
CL 170C-170G	169,000	F-AFC-3-8	1.50 (80°)R	210,000	PGB-220	#2	9/32"	200,000	HP 2258-PS	5/32"	ADJ.

\* Aero Gas Burner Model #PGB-220 must operate at 3.0" W.C. for natural gas and 3.5" W.C. for propane gas.  
 \*\* Adams Gas Burner Model #HP 2258-PS must operate at 3.5" W.C. for natural gas and 11.0" W.C. for propane gas. LP burners are designated by "LP". Example HP 2258-LP-PS.  
 \*\*\* Newmac furnaces are not certified in Canada with gas burners installed. Check with local authorities and obtain their approval before installing a power gas burner. Refer to gas burner manual for proper installation and service.

## GAS BURNER INSTALLATION

### GAS PIPING

All piping must comply with local codes and ordinances. Refer to the gas burner manual for further recommendations.

### BURNER MOUNTING

Install burner on the burner mounting cable plate with blast tube flush with the outside wall of the combustion chamber. Connect the gas line to the burner by means of a union.

### WIRING OF BURNER

Connect wiring according to Fig. 17-1A for the Adams burner and Fig. 17-1B for the Aero burner.

WIRING DIAGRAM FOR INSTALLATION OF ADAMS GAS BURNER

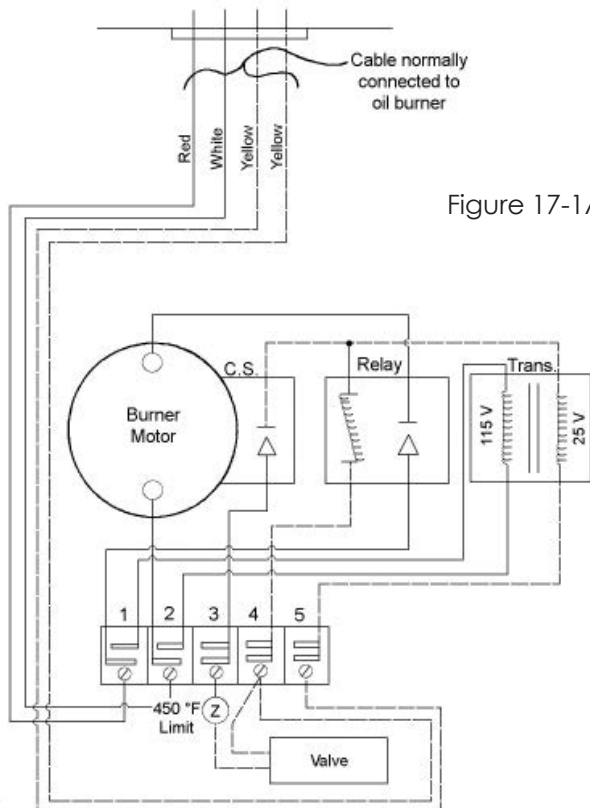


Figure 17-1A

WIRING DIAGRAM FOR INSTALLATION OF AERO GAS BURNER

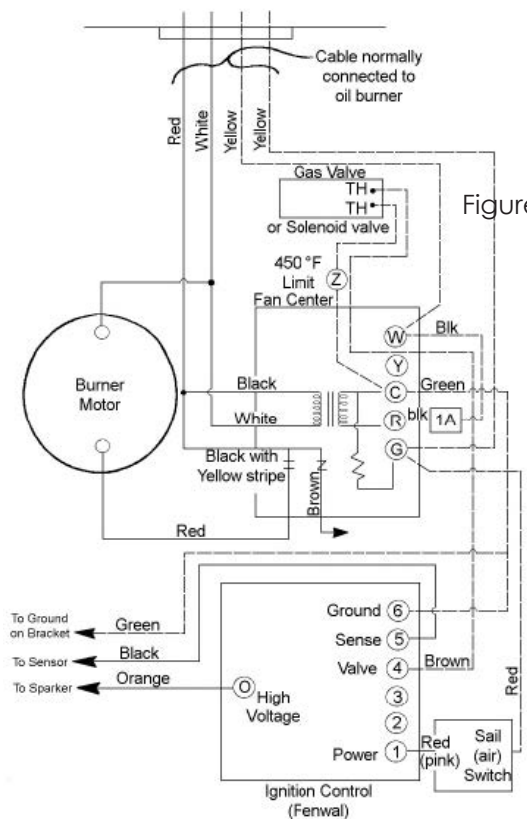


Figure 17-1B

## STARTING GAS BURNER

1. Be sure cock on combination valve is in "OFF" position for 5 minutes.
2. Open gas cock on combination valve to "ON" position.
3. Turn to electric switch.
4. Set room thermostat above room temperature.
5. Burner will light.
6. Set room thermostat to temperature desired.

### ADAMS GAS BURNER EXPLODED ASSLY - HP225 BPS

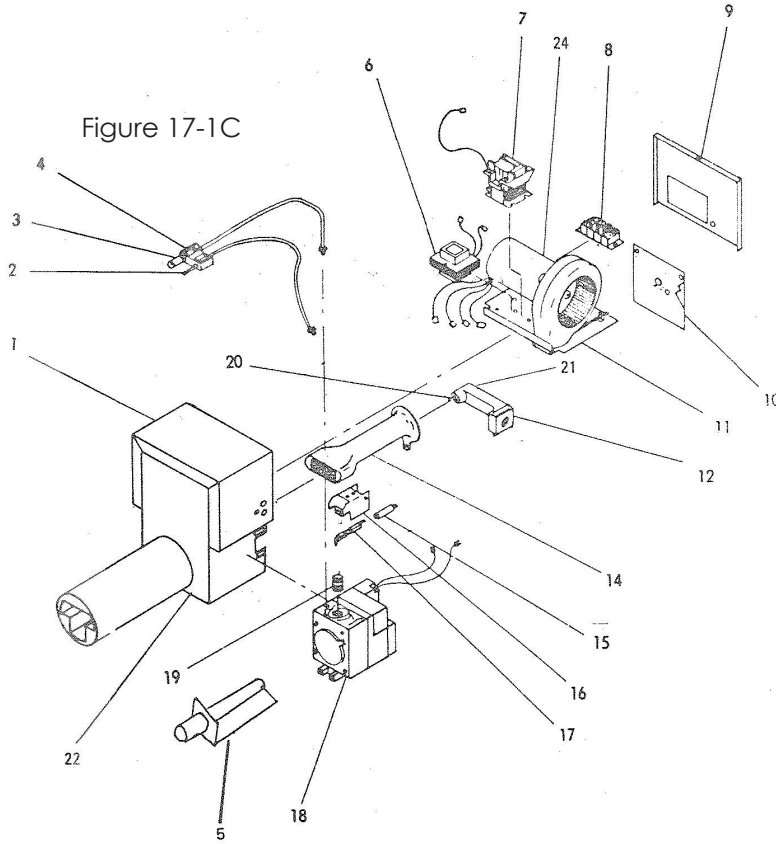
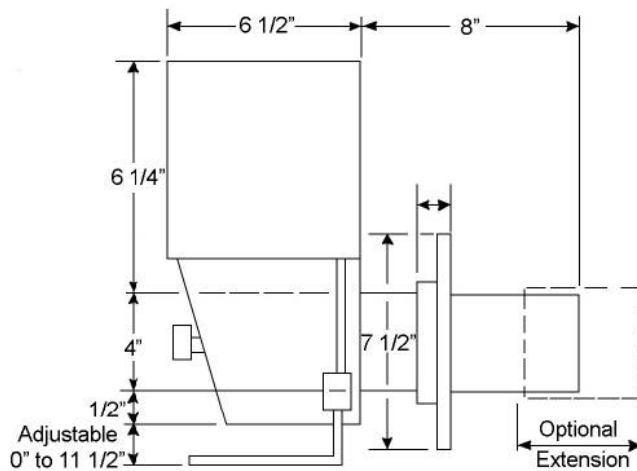
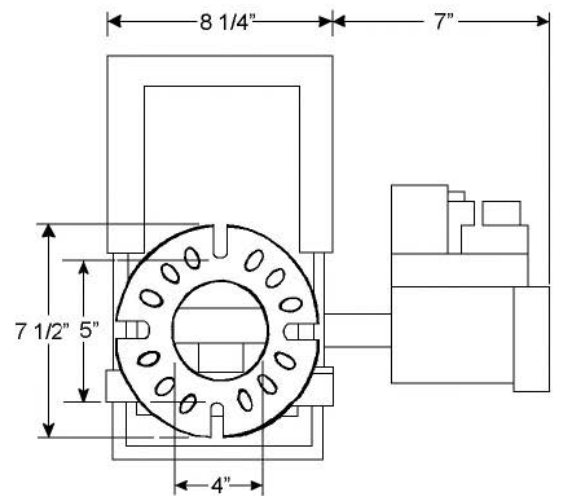


Figure 17-1D ADAMS GAS BURNER PARTS LIST  
HP225 BPS

Ref	DESCRIPTION	HP-225 BPS
1	Top Housing	7582-GN
2	Thermocouple	-----
2	Sensor Probe	12003
3	Pilot Burner	J 124 DDA
4	Pilot Orifice (Nat.)	5221 (.021)
4	Pilot Orifice (Prop.)	3215 (.015)
5	Ignition System	EPI-100 or EPI
6	Transformer (20 V.A.)	AT 20 A
7	Relay	R 8222 A 1002
8	Terminal Block	7586-3
9	Air Door	7582 A
10	Bottom Access Door	7587 B
11	Slide Tray Assembly	7586 D
12	Manifold	7015 D-6
13	Pedestal (Not Shown)	7584
14	Burner Casting	7583-1
15	Insulating Boot	846
16	Pilot Shield	12005
17	Electrode (3")	7583-5A
18	Combination Valve (Nat.)	SX 242 NS
18	Combination Valve (Prop.)	SX 242 LS
19	Pipe Nipple	50001-6-3 1/2
20	Main Orifice (Specify Size)	172
21	Adjustable Orifice Assembly	6481
22	Bottom Housing Assembly	7581 B
23	Mounting Flange (Optional)	7585
24	Motor/Blower Assembly	7586-2A
25	APR Module (Optional)	-----
26	Extension Sleeve (Not Shown)	7581-1A-BL
27	Ignition Wire (30 inch)	7803
28	Sensor Wire (30 inch)	7852-2



HP225 Right Side



HP225 Front

Figure 17-1E - AERO PGB 220-370 GAS BURNER EXPLODED ASSLY

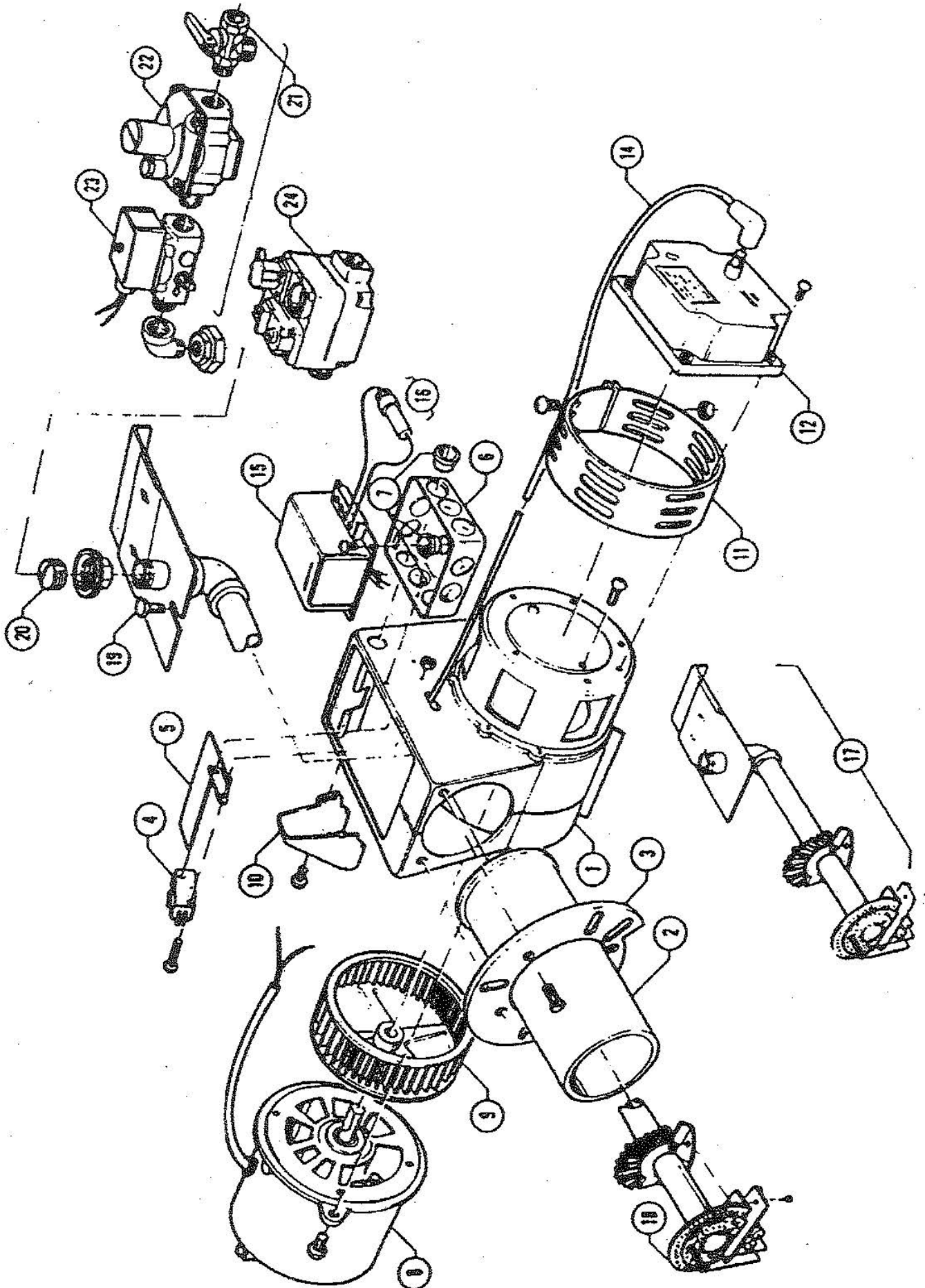
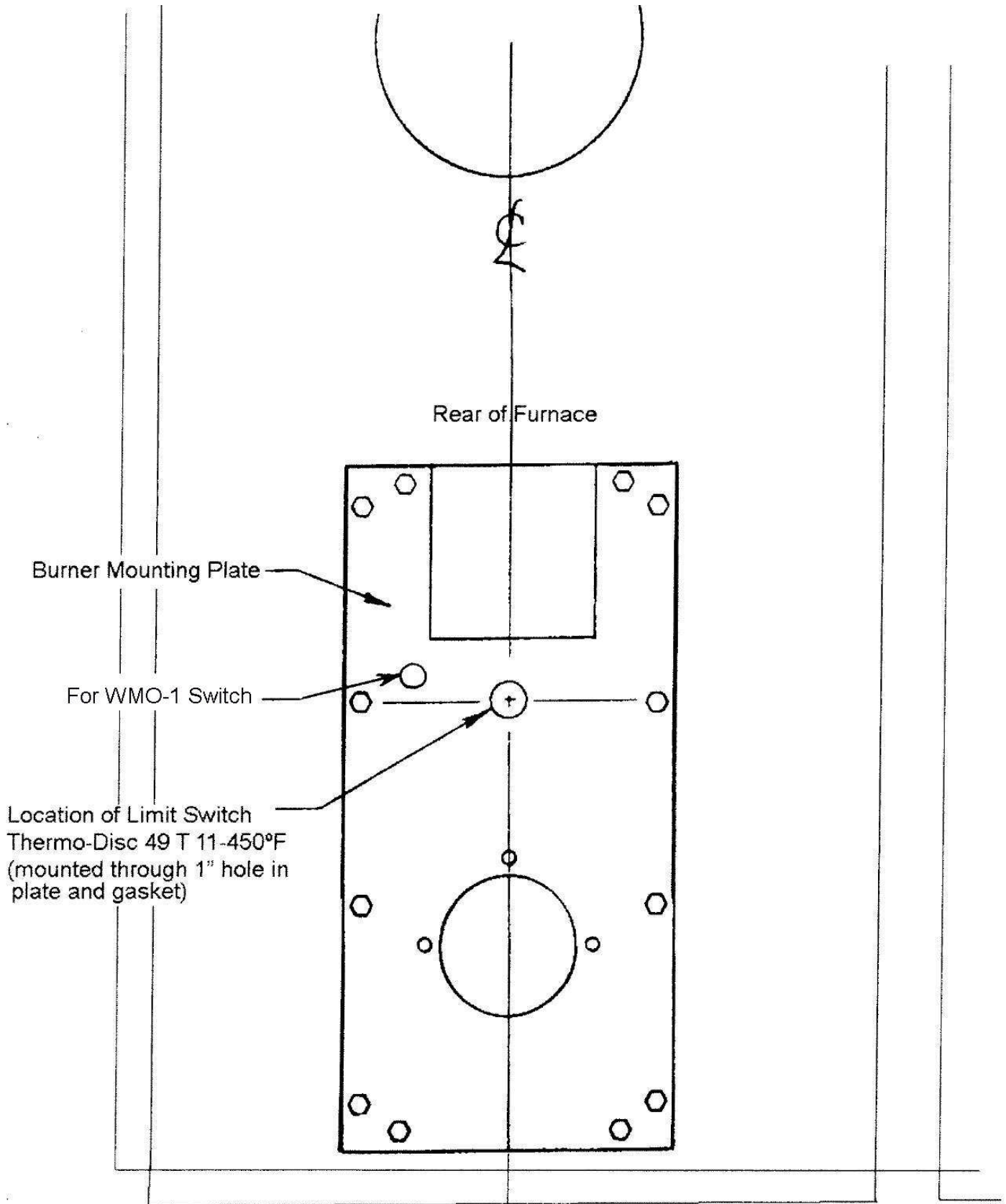


Figure. 17-1F - AERO PGB 220-370 GAS BURNER PARTS LIST

AERO PGB 220-370 GAS BURNER PARTS LIST		
ITEM #	PART NAME & DESCRIPTION	AERO #
1	F Housing	9035222400
2	Airtube (5'-8"-11')	
3	Mounting Flange (Standard)	2735161000
4	Micro Switch (V3101-D8)	9035061441
5	Sail & Leaf (JV-26)	2735121091
6	"J" Box	2735121091
7	"J" Box Hardware	2735121091
8	Motor (1/7/3450/60/1)	2735251414
9	Fan 524-202 (PGB 220)	2735151200
	Fan 524-316 (PGB 370)	2735152016
10	Raceway	2726202550
11	Air Band Assembly	2726200100
12	Ignition Control	9035061311
*	Wiring Harness	9035061321
14	High Voltage Cable	9035061301
15	Fan Center	9035061210
16	Fuse Assembly	9026121400
17	Manifold Assembly - 1/2" PGB 220	
	Manifold Assembly - 3/4" PGB 370	
18	Electrode Assembly (S.S.B.)	9026121300
19	Centering Bolt	9035202205
20	Orifice (Input Required)	7235515220
21	Replaced by Gas Valves	
22		
23		
24	Combination Gas Valve (220)	9035061225
	Combination Gas Valve (370)	9035061227
	Comb. Propane Valve (220/370)	9035061226
*	Adjustable Flange	2735162000
*	Base assembly	2735032000
*	Carton - complete	9035401000
* NOT SHOWN		



Figure 17-1G - THERMO-DISC MOUNTING ON BURNER PLATE



Note: Limit is located on centre line of burner plate  
& in line with plate mounting screws as shown

Figure 17-2A - AERO BURNER EXPLODED ASSEMBLY

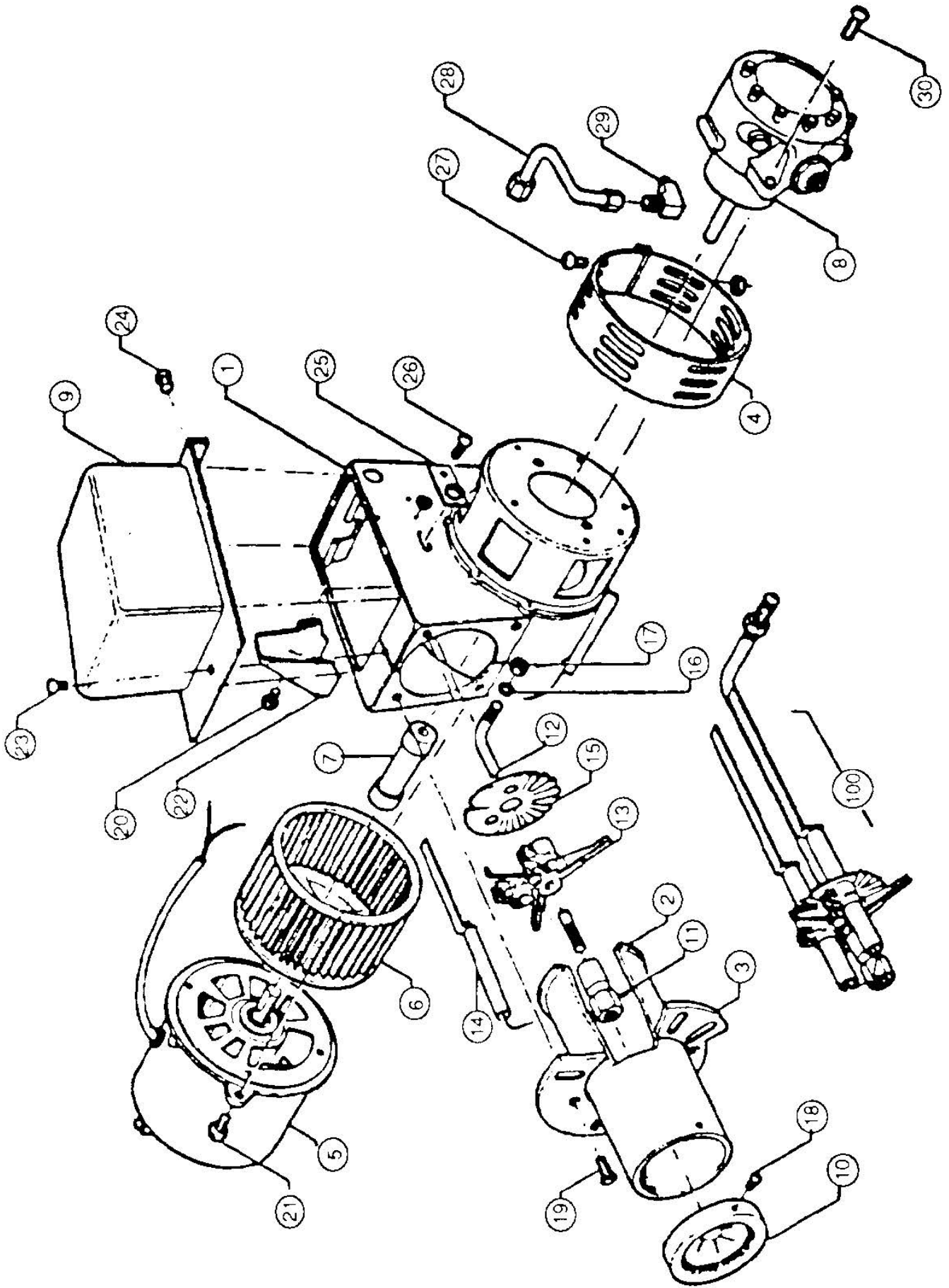


Figure 17-2B - PARTS LIST Model F-AFC AERO OIL BURNER

Model F-AFC AERO OIL BURNER			
ITEM #	DESCRIPTION AERO	PART #	NEWMAC PART #
1	F housing	2735222100	
2	Blast Tube 8"		D2090006
3	Mounting flange - Standard	2735161000	
4	Air band assembly	2726200100	
5	Motor 1/6 HP, 1725 RPM	2735251415	D2020010
6	Fan, 524-316	2735152016	
7	Flexible metal-end coupling	2433804813	
8	Fuel Pump A1VA-7112 Suntec	2735171201	
9	Transformer, Ignitor 2275-456	2735382730	D2090066
	Transformer, Iron Core 2721- 456	2735382740	D2090002
	Transformer, 421-456		
10	End Cone		
	AFC-2	2735141200	D2110002
	AFC-3	2735141300	D2110003
11	Nozzle Adapter	2735261100	
12	Oil pipe, aluminum (specify blast tube length)		
13	Electrode Holder	2725131100	
14	Electrode (with porcelains)	2725132100	D2090004
	Bus bars (specify length)		
15	Turbo static disc F-AFC, 3"	725353000	
16	Jam hex nut	9935193401	
17	Knurled lock nut		
100	Complete electrode assly (11 to 17)		D2090001
18	AFC end cone screws	9935203901	D2090020
19	Blast tube screw (specify length)	9935202202	
20	Raceway	2726202250	
21	Motor screws	9935203202	
22	Raceway screw	9935203901	
23	Transformer lock down screw	9935203201	
24	Transformer hinge screws	9935203901	
25	Slide plate	2726200400	
26	Slide plate pop rivet	9935203901	
27	Air band locking screw	9935203202	
	Air band locking nut	9935193201	
28	Oil line assembly	2726202800	
29	Compression elbow, 90 degree		
30	Fuel pump screws	9935203202	
*	Oil burner mounting gasket, 1/8"	2735182400	
* NOT SHOWN			
When ordering parts, always give: (1) Model, (2) Part Name, (3) Part Number, (4) Size and (5) Quantity Required			

Figure 17-3A - BECKETT BURNER EXPLODED ASSEMBLY

AF G8.TIF

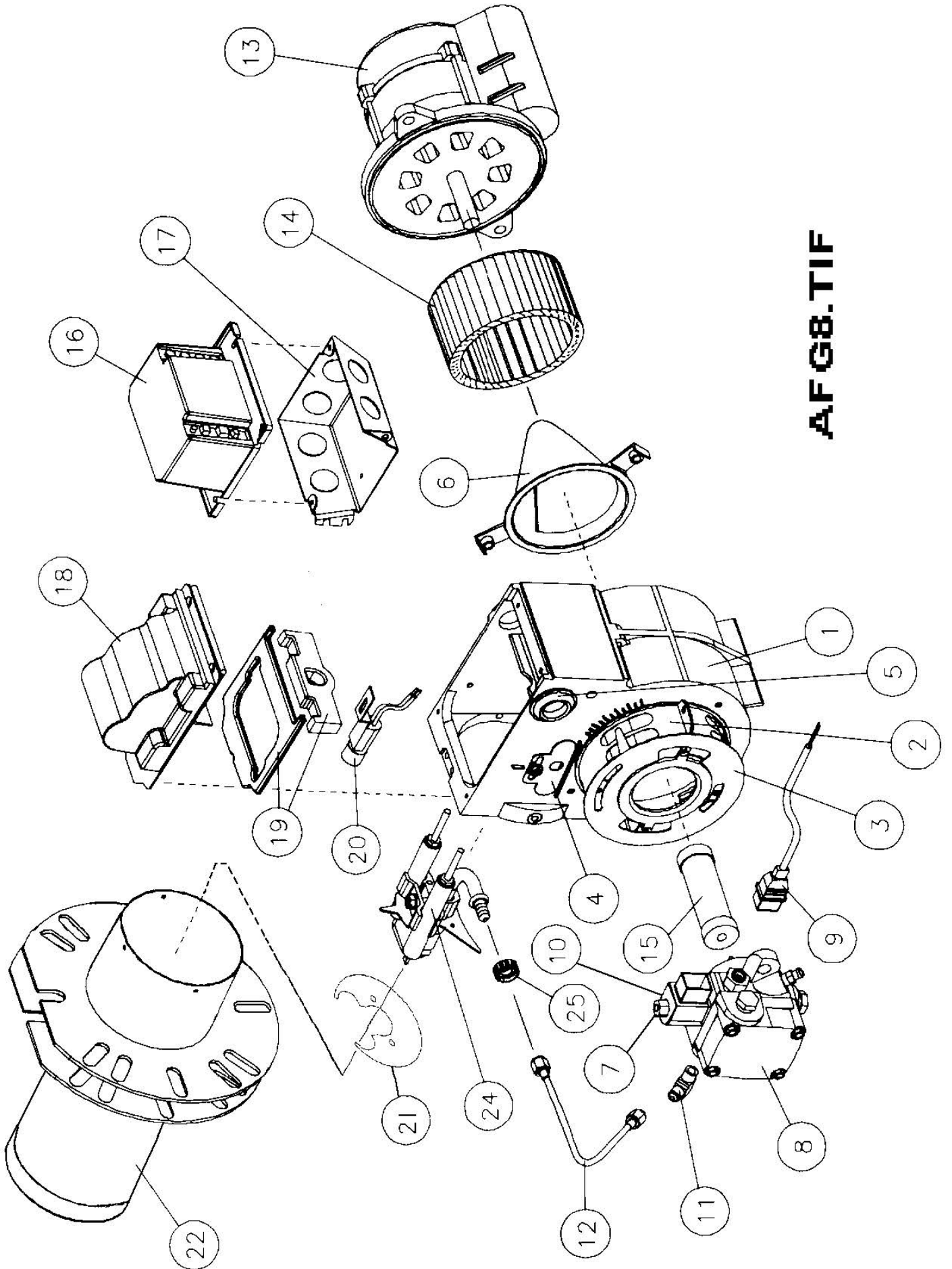


Figure 17-3B - BECKETT BURNER PARTS LIST

BECKETT BURNER PARTS LIST					
ITEM NO.	PART NUMBER		NM50 2	NM50 3	DESCRIPTION
	BECKETT	NEWMAC			
1	5877	D2090024	X	X	Burner Housing Assembly
2	3709		X	X	Air Shutter
3	3492		X	X	Air Band
4	3493		X	X	Escutcheon Plate
8	21844U	D2060012	X	X	Pump Clean Cut A2EA - 6520
	51843U		X	X	Strainer & Gasket
10	21755U	D2090065	X	X	Valve Coil (Suntec Part No. 3713824)
7	21877U	D2090072	X	X	Valve Stem
	51573	D2090058			Suntec Pump c/w Solenoid Valve
	51843U				Strainer & Gasket
	21755U				Valve Coil (Suntec Part No. 3713824)
					Valve Stem (Includes 2 O Rings) (Suntec Part No. 3773578)
				Solenoid Valve Repair Kit (Suntec Part No. 991375)	
9	21807		X	X	Valve cordset
11	2256				Pump Nozzle Port Fitting
12	5394				Connector Tube Assembly
13	21805U	D2020012	X	X	PSC Drive Motor, 3450 RPM
14	2999U	D2090056	X	X	Blower Wheel
16	7456U	D2090069	X	X	Primary Relay, Honeywell R7184B
	7457U	D2090067			Primary Relay, Honeywell R7184P
17	5770		X	X	Junction Box Kit
18	51771U	D2090064	X	X	Electronic Ignitor (14,000 Volt)
20	7006U	D2010006	X	X	Cad Cell C554A1455B Honeywell
21	3384		X	X	3-3/8U Static Plate
22	5153633BK	D2090039	X	X	Blast Tube c/wWelded Flange AFG (7 7/8")
		D2110007	X		Endcone, F4
		D2110009		X	Endcone, F6
24		D2090022	X	X	Electrode Assembly 8"
	31517	D2110015	X	X	Ceramic Heat Shield
		D2110016	X	X	Ceramic Heat Shield Holder
	3416	D2080051	X	X	Flange Gasket
	51770	D2090061			Field Controls AirBoot
	5880	D2090044	X	X	Low Firing Rate Baffle
	5941		X	X	Adjusting Plate Assy
		D2100131	X		Nozzle, Delavan 0.75 X 70oA
		D2100128	X		Nozzle, Delavan 0.85 X 70oA
		D2100132	X	X	Nozzle, Delavan 1.00 X 70oA
		D2100129		X	Nozzle, Delavan 1.25 X 70oA
		D2100133		X	Nozzle, Delavan 1.35 X 70oA
	D2100134		X	Nozzle, Delavan 1.50 X 70oA	

Note: Also approved with SR Burner – See General Instructions & Certification Label

Figure 17-4A - RIELLO F3 & F5 EXPLODED ASSEMBLY

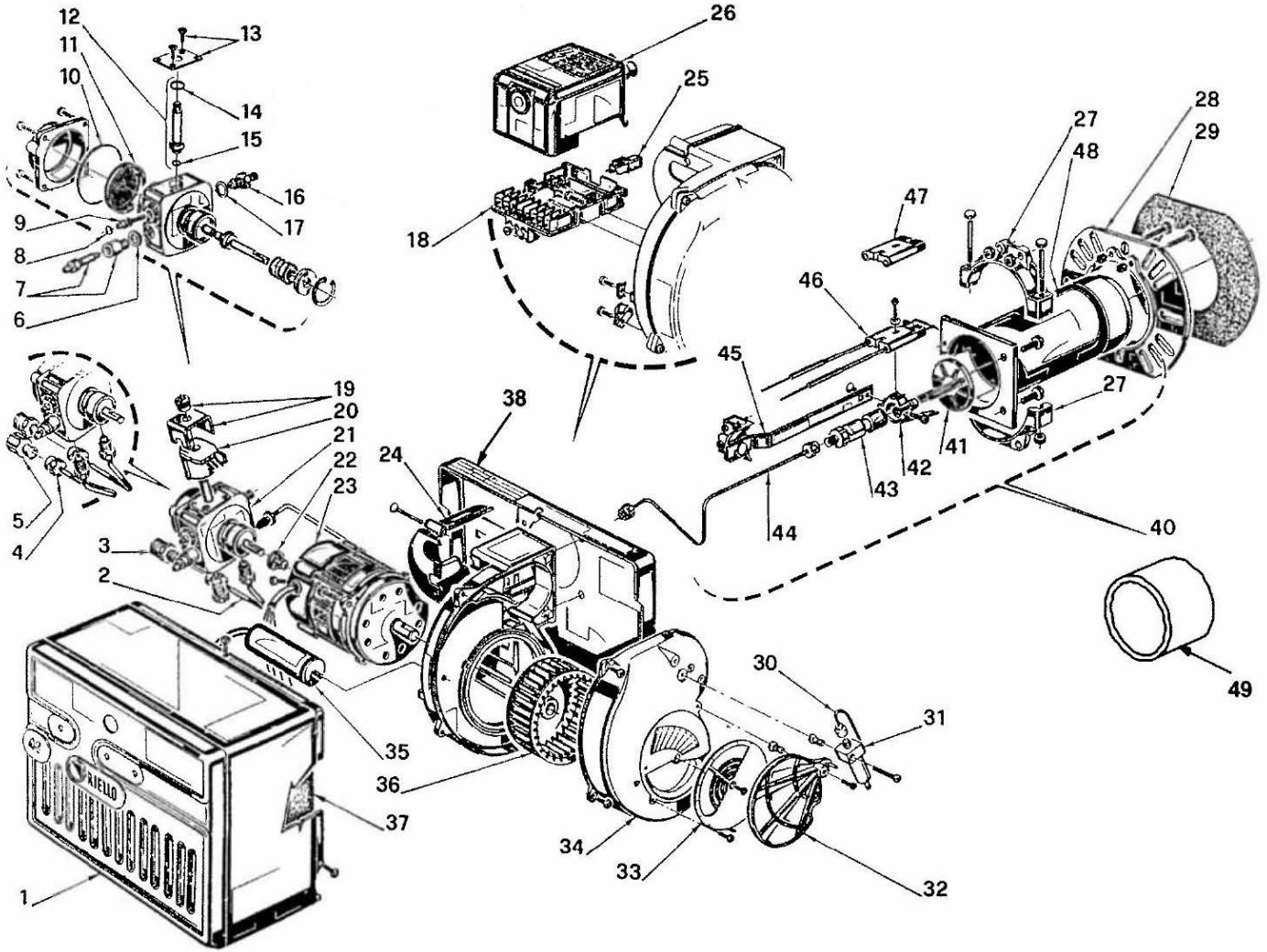


Figure 17-4B - AERO PGB 220-370 GAS BURNER PARTS LIST

ITEM F3 & F5	PART NUMBER		BURNER MODEL		DESCRIPTION
	RIELLO	NEWMAC	F3	F5	
10	C7010002	D2090043	X	X	O-ring - pump cover
20	3002279		X	X	Solenoid Coil
21	3007802	D2060007	X	X	Pump
23	3005843		X	X	Motor
25	3002280	D2010045	X	X	Photo cell
26	C7001029	D2010048	X	X	Primary control 530 SE/C
28	3005855		X	X	Universal mounting flange
29	3005856	D2080058	X	X	Mounting gasket
33	3007204		X	X	Manual Air Shutter
35	3005844	D2090041	X	X	Capacitor 12.5 Uf
36	3005708		X	X	Fan
40	C3948874	D2090051	X		Blast Tube Assembly
	C3948974	D2090046		X	Blast Tube Assembly
49	C7001033	D2030016	X	X	Blast Tube Protector
	3007568		X	X	Bleeder
	3006925		X	X	Valve Stem
	C7001013		X	X	Parts Bag
		D2010034	X	X	24V Relay, Switching (for Riello)

Figure 18-1A - CL115-170C WOOD/OIL COMBINATION FURNACE ASSEMBLY

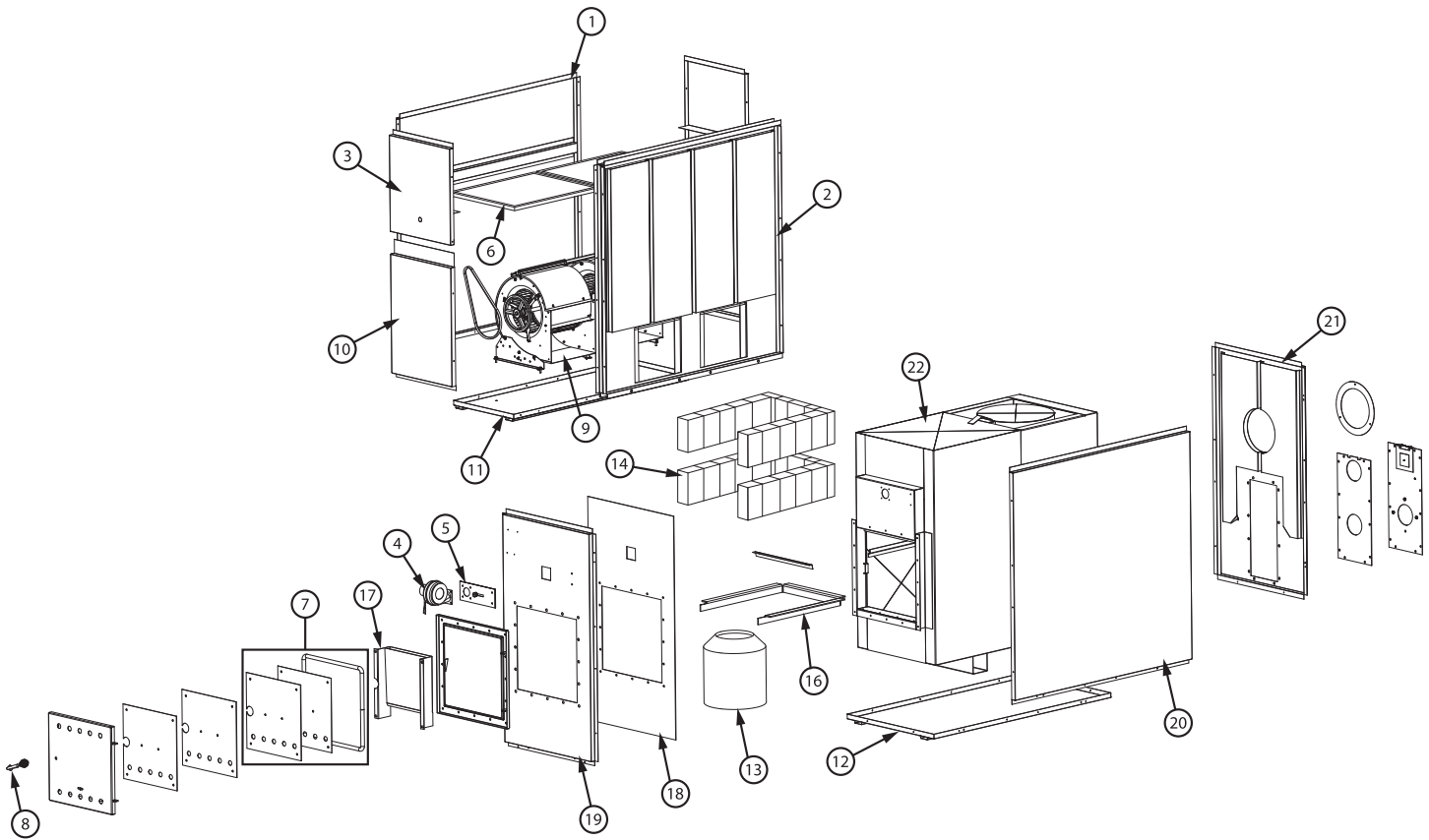


Figure 18-1B - PARTS LIST - CL115-170C

ITEM NO	PART NO	DESCRIPTION
1	610589	Blower Section Side Panel
2	610590	Fan Partition Panel
3	610592	Blower Section Small Panel
4	D2040001	50 CFM Draft Fan
5	D5300012	Slide Plate Assembly
6	D2180003	Filter 20" X 25" X 1"
7	D5300007	Fire door Gasket Set
8	D5300009	Fire door Handle Complete
9	D2040104	10" Air Circulating Twin Blower
10	28105	Blower Section Access Panel
11	610591	Blower Section Base Panel

12	D4120409	Furnace Section Base Panel
13	D2030001	Corbel Combustion Chamber
14	D5110003	Straight Brick 2 - 1/2" X 4 - 1/2" X 9"
15	D5400047	Aero Burner (not shown)
	D2110128	Beckett Burner (not shown)
16	D4060101	Brick Loc
17	D4060114	Fire door Air Chute
18	D2080009	Front Gasket
19	D4120116	Furnace Section Front Panel
20	D4120213	Furnace Section Side Panel
21	D4120103	Furnace Section Back Panel
22	D4060134	Heat Exchanger

Figure 18-3A - CL115-170G WOOD/OIL COMBINATION FURNACE ASSEMBLY

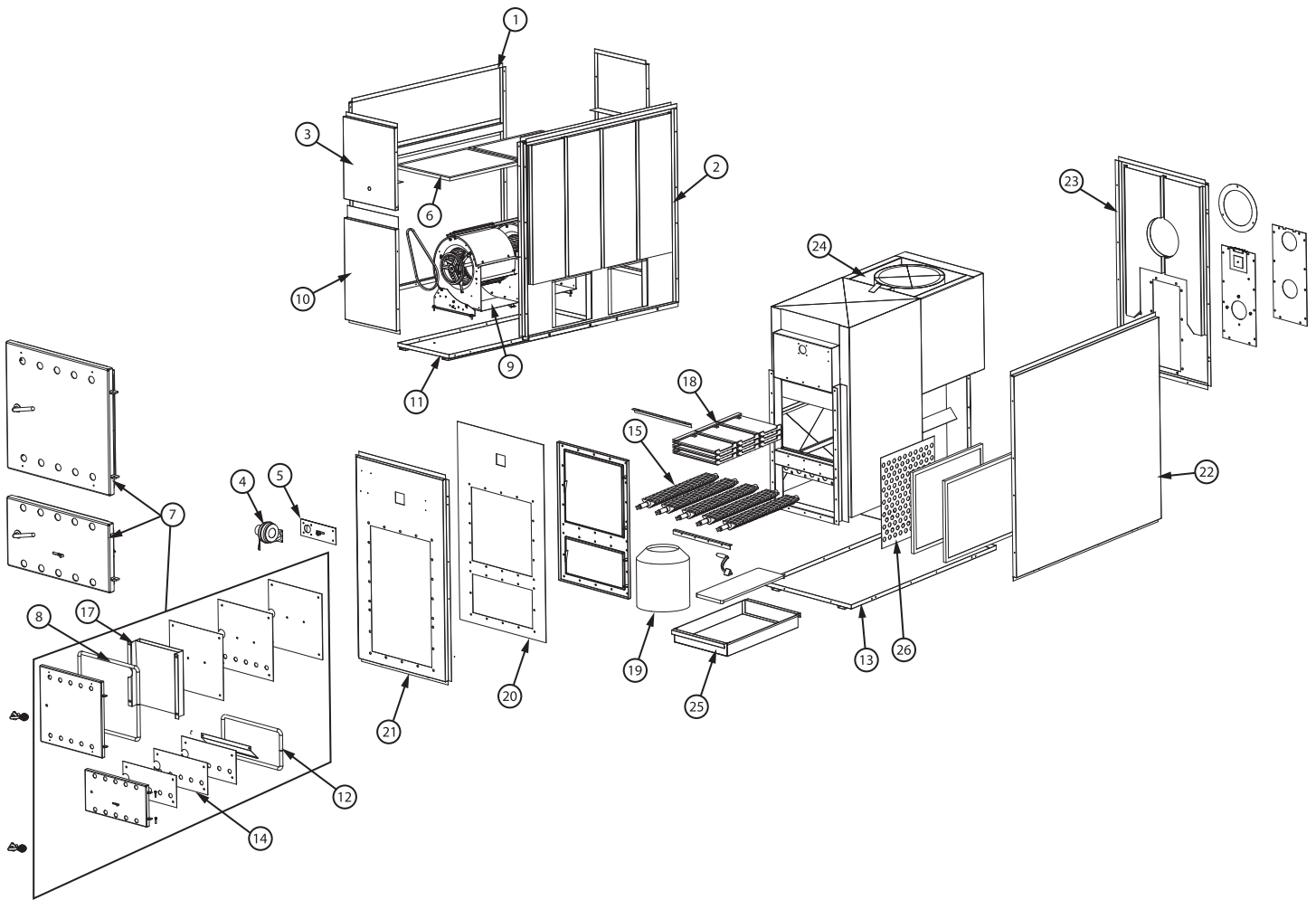


Figure 18-3B - PARTS LIST – CL115-170G

ITEM NO	PART NO	DESCRIPTION
1	610589	Blower Section Side Panel
2	610590	Fan Partition Panel
3	610592	Blower Section Small Panel
4	D2040002	100 CFM Draft Fan
5	D5300012	Slide Plate Assembly
6	D2180003	Filter 20" X 25" X 1"
7	D5300003	Firedoor/Ashdoor Set Complete
8	D4110105	Firedoor 3/4" Rope Gasket
9	28105	Blower Section Access Panel
10	D2040104	10" Air Circulating Twin Blower
11	610591	Blower Section Base Panel
12	D4110106	Ashdoor 3/4" Rope Gasket
13	D4120409	Furnace Section Base Panel

14	D2080021	Ash Door Spacer Gasket
15	D2170007	Cast Grate
16	D5400047	Aero Burner (not shown)
	D2110128	Beckett Burner (not shown)
17	D4060116	Firedoor Air Chute
18	D2170009	Cast Liner
19	D2030001	Corbel Combustion Chamber
20	D2080020	Front Gasket
21	D4120117	Furnace Section Front Panel
22	D4120213	Furnace Section Side Panel
23	D4120103	Furnace Section Back Panel
24	D4060138	Heat Exchanger
25	D4060128	Ash Pan
26	D3090183	Grate Plate



Figure 18-2A - CL86-96C WOOD/OIL COMBINATION FURNACE ASSEMBLY

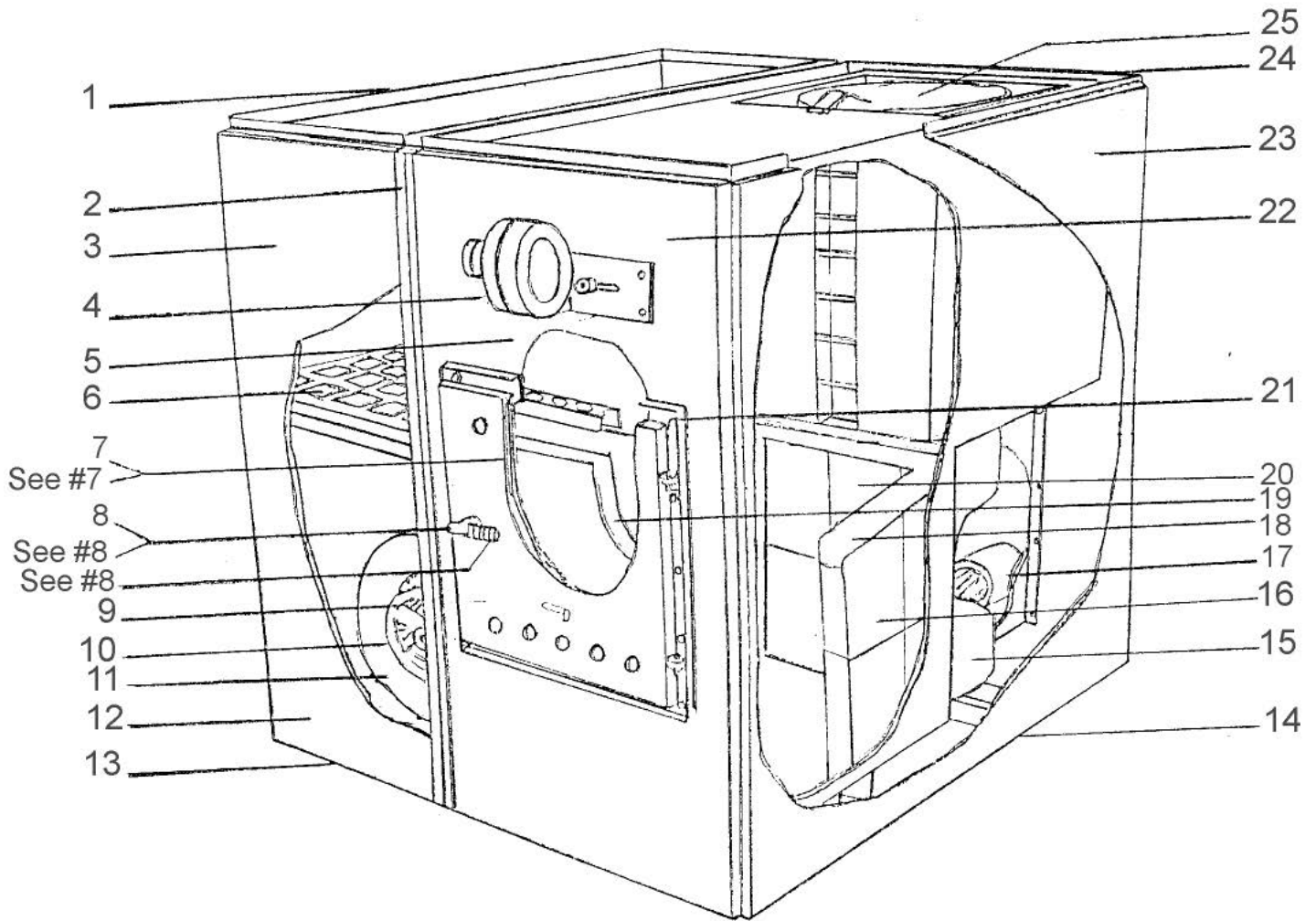


Figure 18-2B - PARTS LIST – CL86-96C

ITEM NO	PART NO	DESCRIPTION
1	610594	Blower Section Side Panel
2	610595	Fan Partition Panel
3	28117	Blower Section Small Panel
4	D2040001	50 CFM Draft Fan
5	D5300012	Slide Plate Assembly
6	D2180002	Filter 16" X 25" X 1"
7	D5300005	Firedoor Gasket Set
8	D5300009	Firedoor Handle Complete
9	D5300001	Firedoor Set Complete
10	D2240003	Blower Pulley 8" X 3/4"
11	D2040105	9" Air Circulating Twin Blower
12	28118	Blower Section Access Panel
13	610597	Blower Section Base Panel

14	D4120414	Furnace Section Base Panel
15	D2030004	Corbel Combustion Chamber
16	D5110003	Straight Brick 2 - 1/2" X 4 - 1/2" X 9"
17	D5400048	Aero Burner
	D2110126	Beckett Burner
18	D4060106	Brick Loc
19	D4060171	Firedoor Air Chute
20	D5110006	Split Brick 1 - 1/4" X 4 - 1/2" X 9"
21	D2080001	Front Gasket
22	D4120120	Furnace Section Front Panel
23	D4120218	Furnace Section Side Panel
24	D4120104	Furnace Section Back Panel
25	D4060143	Heat Exchanger

Figure 18-4A - CL86-96G WOOD/OIL COMBINATION FURNACE ASSEMBLY

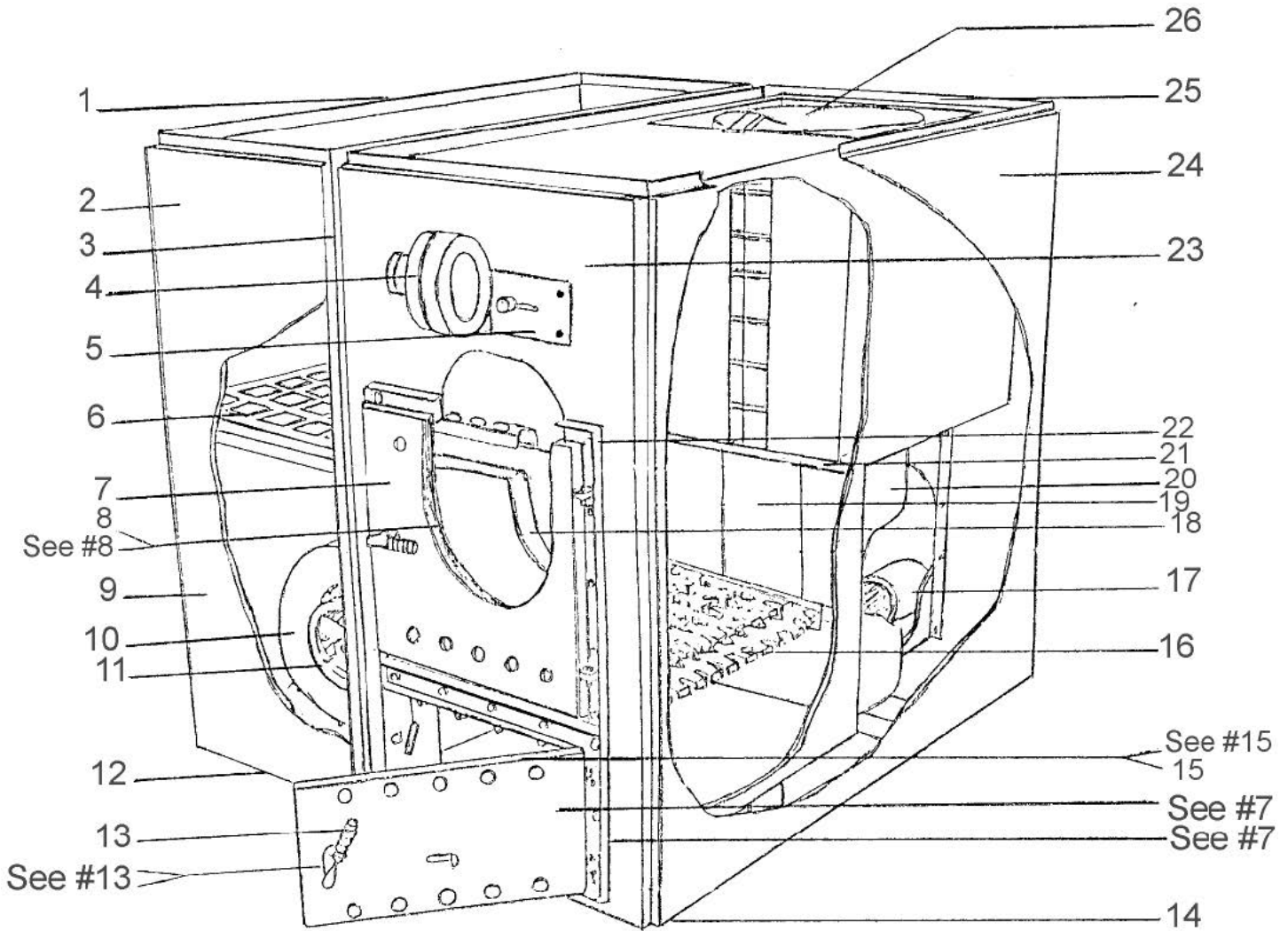


Figure 18-4B - PARTS LIST - CL86-96G

ITEM NO	PART NO	DESCRIPTION
1	610594	Blower Section Side Panel
2	28117	Blower Section Small Panel
3	610595	Fan Partition Panel
4	D2040001	50 CFM Draft Fan
5	D5300012	Slide Plate Assembly
6	D2180002	Filter 16" X 25" X 1"
7	D5300004	Firedoor/Ashdoor Set Complete
8	D5300005	Firedoor Gasket Set Complete
9	28118	Blower Section Access Panel
10	D2040105	9" Air Circulating Twin Blower
11	D2240003	Blower Pulley 8" X 3/4"
12	610597	Blower Section Base Panel
13	D5300009	Firedoor Handle Complete
14	D4120414	Furnace Section Base Panel
15	D5300006	Ashdoor Gasket Set Complete

16	D2170007	Cast Grate
17	D5400048	Aero Burner
	D2110126	Beckett Burner
18	D4060118	Firedoor Air Chute
19	D5110006	Split Brick 1-1/4" X 4 -1/2" X 9"
20	D2030004	Corbel Combustion Chamber
21	D4060106	Brick Loc
22	D2080016	Front Gasket
23	D4120119	Furnace Section Front Panel
24	D4120218	Furnace Section Side Panel
25	D4120104	Furnace Section Back Panel
26	D4060142	Heat Exchanger
	D4060127	Ash Pan
	D5110003	Straight Brick 2 - 1/2" X 4 - 1/2" X 9"
	D3090182	Grate Plate

# REPLACEMENT PARTS

Figure 19 - REPLACEMENT PARTS

Description	CL86-96C	CL86-96G	CL115-170C	CL115-170G	Newmac Part Number
Delhi Twin G9 Blower	X	X			D2040105
Delhi Twin G10 Blower			X	X	D2040104
Torin Twin BC916-916-1	X	X			**Replacement Shaft & Bearings Available
Torin Twin BC1020-1020-1			X	X	**Replacement Shaft & Bearings Available
Honeywell R8405C Transformer/Relay (Obsolete)					
Honeywell R8225B1007B Relay	X	X	X	X	D2010020
Honeywell L4064R Fan & Limit (8" Insertion)	X	X			D2010017
Honeywell L4064R Fan & Limit (8" Insertion)			X	X	D2010019
Honeywell Thermostat T822D2063	X	X	X	X	
White Rodgers 8A05A-4 Transformer/Relay	X	X	X	X	D2010050
White Rodgers Thermostat 1E30W-451S1	X	X	X	X	D2010008
Emerson 1/3 HP Motor	X	X	X	X	D2020002
GE 1/3 HP Motor	X	X	X	X	D2020002
AO Smith 1/3 HP Motor	X	X	X	X	D2020002
Airdex 50 CFM Draft Fan (7017011)	X	X	X		D2040001
Airdex 100 CFM Draft Fan (7817001)				X	D2040002
Fasco 50 CFM Draft Fan (7073-0655)					
Fasco 100 CFM Draft Fan (7021-1001-4)					
Ontor Field Draft Regulator B34C07GA	X	X	X	X	D2040022

## **PREPARATION OF WOOD**

### **Once I have my wood, how do I prepare it for burning?**

The wood must be cut to length to suit the firebox of the stove, furnace, or fireplace in which it is to be burned. An 8' log may be cut into four, six or eight pieces, depending on the desired length. Splitting the wood greatly facilitates drying and reduces the wood to a more manageable size.

### **How much moisture is contained in wood?**

Many softwoods have a moisture content in the vicinity of 55 percent when they are freshly cut. The popular hardwoods have moisture contents of about 45 percent. Air dried wood has a moisture content of about 15 percent and kiln dried wood may have a moisture content of less than 10 percent when it is fresh from the kiln.

**What causes wood to rot?** When wood is cut, it is very susceptible to the growth of fungi, which converts the wood to water, carbon dioxide, and heat, just as does a fire. This rotting decreases the wood's energy. The fungi are most productive when three conditions are met: the temperature is between 60°F and 90°F, the wood's moisture content is above 30 percent, and ample oxygen is available. Thus, wood does not rot appreciably when it is dry, in the winter, or when it is submerged in the water, but it should not be allowed to lie on the ground during the summer.

**How can rotting be prevented?** When the wood has been cut into stove wood lengths, and split, it should be piled outside during the months of June, July, and August. Two poles should be placed on the ground to serve as rails to keep the firewood off the moist ground and the wood should be piled up in such a way that it is well exposed to the sun and the wind. The moisture content of the wood will drop until it reaches equilibrium with the ambient weather conditions. When the relative humidity is 60 percent, the equilibrium moisture content is about 11 percent. When the wood has reached this equilibrium moisture content, it is said to be "air dried." Around mid August, it should be placed under cover so that it will not reabsorb moisture from the rain and snow before it is used.

### **Why this concern about allowing the wood to dry?**

Green or wet wood is undesirable for several reasons. Green or wet wood tends to mildew and rot which causes a significant reduction in the thermal value. When green or wet wood is burned, it may take 20 to 25 percent of the thermal value of the wood heat to evaporate and drive off the moisture which is contained. Green wood does not burn easily and, in order to keep the fire burning, it is often necessary to add a lot of fuel and provide excessive draft, thereby decreasing the efficiency of the unit. The excess air needed for combustion must be heated and it escapes up the chimney wasting heat that should be used to heat the house.

### **What is creosote?**

Wood smoke almost always contains some unburned gases and a fog of unburned tar-like liquids. Some of these materials will condense on the inside of the chimney, just as steam condenses on any cold surface. This condensation is a black, tacky, fluid when first formed. When it dries, it is flaky and shiny. Creosote has approximately the same thermal value as fuel oil. Not only does it reduce the effective size of the chimney, but an accumulation of this material constitutes a serious fire hazard.

### **Does green wood cause creosote?**

Yes. Indirectly, green wood does cause creosote. The exhaust gases cool as they rise up the chimney. If the temperature falls below the dew point, any moisture contained in these gases will condense on the inside of the chimney, absorb the various products of incomplete combustion and form creosote. When green wood is burned, the exhaust gases carry a high moisture content in addition, because of the heat required for evaporation, these gases are cooler and more likely to condense than would be the case with dry wood.

Charcoal may be formed more readily if the unit is overcharge particularly, in milder weather. With overcharging (too much wood in unit) the draft fan will be off a greater percentage of time, coals will be formed which will become covered with ash in turn will smother the coals to form charcoal. Any coals in the furnace should be stirred before more wood is added to it. The preceding is an excerpt from a document prepared by the Nova Scotia Energy Council and the Nova Scotia Research Foundation Corporation.

### **CREOSOTE AND CHIMNEY FIRES**

Wood combustion is never perfectly complete. Wood smoke almost always contains some unburned gases and a fog of unburned tar-like liquids. Some of these materials will condense out of the flue gases onto any surface which is not too hot. The condensation is usually dark brown or black, and has an unpleasant acrid odor. It is called creosote. If condensed on a relatively cool surface (such as an exterior stovepipe chimney), the creosote will contain a large amount of water along with the organic compounds, and will thus be very fluid. Water is usually absent if the condensation occurs on surfaces hotter than 1500F. The condensation may then be thick and sticky, like tacky paint or tar. Creosote may be found almost anywhere in a wood-heating system, from the top of the chimney to the insides of the cover itself.

Creosote which remains in a chimney after its initial formation may later be significantly modified both in physical form and chemical content. The water and the more volatile organic compounds tend to evaporate, leaving the more tar-like substances behind. If these are subsequently heated by the flue gases from a hotter fire (this usually happens), they themselves are further pyrolyzed to the same final solid product that wood is carbon. The physical form is usually flaky, and often shiny on one side. Partially pyrolyzed deposits can have a bubbly appearance. The flakes do not adhere strongly to a stove pipe and thus are easy to brush off; some of the other forms will not budge even under the action of a stiff wire brush.

The amount of creosote deposited depends mostly on two factors – the density of the smoke and fumes from the fire, and the temperature of the surface on which it is condensing. Highest smoke densities occur when a large amount of wood in relatively small pieces is added to a hot bed of coals and the air inlet damper is closed. Here, there is considerable pyrolysis of wood, but little combustion, and little air to dilute the smoke. In practice, creosote generation is higher during low-power, overnight, smoldering burns. Smoke densities are least when combustion is relatively complete, which tends to be the case when the amount of excess air admitted to the wood-burner is high. Leaky stoves, open stoves and fireplaces typically have the least creosote problems.

One way to lower the average smoke density in an airtight stove is to use less wood each time fuel is added, and/or to use larger pieces of wood. In either case, the air supply need not be turned down so much in order to limit the heat output and combustion is likely to be more complete. Of course, if less wood is added, stoking must be more frequent. A related procedure to limit creosote is to leave the air inlet moderately open after adding wood until the wood is mostly reduced to charcoal, and then close the inlet as much as desired. This will promote complete combustion during pyrolysis, when the creosote compounds are being formed, but there will be a significant heat surge while the gases are burning.

Extra air can also be added to the flue gases in the stove pipe; this is what the Ashley creosote inhibitor does. But the net effect of adding dilution air is not obvious or necessarily beneficial. Dilution air will decrease the smoke density, but it will also decrease its temperature. These effects have opposing influences on creosote

formation. The National Fire Prevention Association states that dilution air increases chimney deposits. In any case, the cooling effect of dilution air does decrease the heat transfer through the stovepipe and chimney, thus decreasing the system's energy efficiency.

Creosote formation may also depend on the type of wood burned and on its moisture content. Dry hardwoods have a reputation for generating the least creosote, but the quantity can still be very large. No kind of wood eliminates creosote formation.

For a given smoke density near a surface, the cooler the surface, the more creosote will condense on it. The phenomenon is very similar to water vapor condensing on the outside of a glass of ice water on a humid day, except for an inversion – condensation occurs on the inside of a chimney, especially when cold air outside makes the inner chimney surface relatively cool. A stovepipe chimney outside a house on a cold day will be wet on the inside with creosote (including a lot of water) virtually all the time. A well insulated, prefabricated metal chimney has the least serious creosote problems; its insulation helps maintain higher temperatures on its inner surface, and its low heat capacity allows it to warm up very quickly after a fire is started. Masonry chimneys frequently accumulate deposits at the beginnings of fires and their interior surfaces take a longer time to warm because the construction is so massive. Any type of chimney which runs up the outside of a house is more susceptible to creosote problems than the same type of chimney rising in the houses' interior, due to the cooling effect of the colder outdoor air on the exterior chimney.

Average flue gas temperatures can be increased by minimizing the length of stovepipe connecting the stove to the chimney.

This, of course, will also decrease the energy efficiency of the system, and it is often true that measures which decrease creosote formation also decrease heating efficiency. For instance, stoves which have energy efficiencies due to their relatively good heat transfer (e.g. the Sevca, range 6303 and double barrel stoves) are more likely to have chimney creosote problems precisely because they do such a good job extracting heat from the flue gases.

Generally creosote is inevitable and must be lived with. Any kind of chimney deposit decreases the system's heating efficiency. Soot and dried creosote accumulations have a significant insulating effect; less of the heat in the flue gases transferred into a house through dirty stovepipes and chimneys. The most annoying problem can be creosote dripping from a stovepipe or chimney, and the most dangerous problem is chimney fires, during which the creosote, or its pyrolyzed residue, burns.

Creosote dripping can usually be eliminated. Joints in vertical segments of stovepipe will not leak if, at the joints, the smaller, crimped ends always stick down into the receiving end. (Smoke will not leak out of the joints due to this direction of overlay.) Since this is not the usual orientation for stovepipe, a double male fitting may be necessary at some point to connect the stovepipe to the stove, a prefabricated chimney, or a rain cap. Special drip proof adapters are available for connecting some sizes of stovepipe to Metalbestos brand prefabricated chimneys. Common types of stovepipe elbows can leak creosote due to their swivel joints; rigid and accordion type leak proof elbows are available. Horizontal or gently sloping joints between horizontal pipes and/or fillings are the most difficult to seal against dripping. A good high temperature sealant can sometimes help, but is no guarantee. The joint must also be snug, and well secured with sheet metal screws. If all joints are made leak proof, then the creosote will generally drip into the stove, where, when the fire is hot, it will be burned.

Chimney fires occur when the combustible deposits on the inside of a chimney burn. The deposits may be 'raw' creosote, pyrolyzed creosote, or soot. Ignition requires adequate oxygen, which is usually available, and sufficiently high temperatures - the same conditions as for the ignition and combustion of any fuel. Chimney fires are most likely to occur during a very hot fire, as when cardboard or Christmas tree branches are burned, or even when a stove burns normal wood, but at a higher than normal rate. A crackling sound can often be heard at the beginning of a chimney fire. As the intensity of the fire rises, the stovepipe will sometimes shake violently, air will be very forcefully drawn in through the stove, and the stovepipe may glow red hot. A tall plume of flame and sparks can be seen rising from the top of uncapped chimneys.

The most effective way to suppress a chimney fire is to limit its air supply although both water and salt are sometimes suggested if a relatively airtight stove is the connected appliance. This is easily done by closing the stove's air-inlet dampers, if all the stovepipe and/or chimney joints are tight, and if no other appliance is connected to the same flue.

In a properly designed and maintained chimney, the only potential hazard related to chimney fires is ignition of the building's roof or surroundings due to sparks and burning embers coming out of the top of the chimney. A spark arresting screen can decrease, but not eliminate this possibility, but spark screens themselves are often not suitable for use with wood fuel because they can become clogged. The chimney itself and the stovepipe, when properly installed, are intended to withstand an occasional chimney fire without danger of ignition of their surroundings. During a chimney fire, one ought to check the roof and surroundings, and possibly wet down critical areas. If the chimney may not be up to safety standards, one should also keep a close watch on all surfaces near the chimney.

Some people start chimney fires fairly frequently, as a means of chimney cleaning. This deters very intense chimney fires and the small ones which do happen are always under a watchful eye. Under some circumstances, this practice may be reasonable, but generally it is a risky method to keep a chimney clean. There is always some danger of a house fire, but in addition, any chimney fire is wearing on a chimney; the high temperatures increase the corrosion rate of metals and the thermal expansion of masonry materials encourage crack formation and growth.

Chemical chimney cleaners are available. Opinions on their effectiveness vary, but apparently when used regularly, and as directed, they work, and do not damage chimneys. The usual chimney cleaning method is the oldest human energy and some kind of mechanical tool. A stiff wire brush, a heavy chain (perhaps in a bag) hung with a rope and worked up and down from the top of the chimney, and very small brushes have all been used. Professional chimney sweeps are also reappearing.

Some people clean yearly, other after every few cords of wood burned, but there are so many factors influencing creosote build up that such generalizations are not appropriate in most particular cases. In new installations, or when changes occur (such as a different stove) the chimney should be checked frequently (after 2 weeks, then after a month, then after another 2 months, etc.) until it is clear how frequently cleaning is usually needed.

**The preceding is an excerpt from "THE WOOD-BURNERS ENCYCLOPEDIA" published by Vermont Crossroads Press, Inc. – Dec., 1976.**

## WOOD IS A SAFE CLEAN AND ECONOMICAL FUEL

Species	Approx. Wt. Per Cord	BTU Per Air Dried Cord	Equivalent Value #2 Heating Oil Litre	Cost at 70.0 cents	Cost at 75.0 cents	Cost at 80.0 cents
Hickory	3595	30,600,000	827.4	\$579.18	\$620.55	\$661.92
Hard Maple	3075	29,000,000	784.6	\$549.22	\$588.45	\$627.68
Beech	3240	27,800,000	752.4	\$526.68	\$564.30	\$601.92
Red Oak	3240	27,300,000	738.7	\$517.09	\$554.03	\$590.96
Yellow Birch	3000	26,200,000	709.2	\$496.44	\$531.90	\$567.36
Elm	2750	24,500,000	662.8	\$463.96	\$497.10	\$530.24
Soft Maple	2500	24,000,000	649.2	\$454.44	\$486.90	\$519.36
Tamarack	2500	24,000,000	649.2	\$454.44	\$486.90	\$519.36
Cherry	2550	23,500,000	635.5	\$444.85	\$476.63	\$508.40
Ash	2950	22,600,000	611.4	\$427.98	\$458.55	\$489.12
Spruce	2100	18,100,000	490.1	\$343.07	\$367.58	\$392.08
Hemlock	2100	17,900,000	484.1	\$338.87	\$363.08	\$387.28
Aspen	1900	17,700,000	483.2	\$338.24	\$362.40	\$386.56
White Pine	1800	17,700,000	462.8	\$323.96	\$347.10	\$370.24
Basswood	1900	17,000,000	459.6	\$321.72	\$344.70	\$367.68

Note: To change litres to US gal. multiply by 0.264

For the least amount of wood handling, the wood with the highest heat content is most desirable.

An open fireplace can actually refrigerate a house because it sucks in so much cold air, which is only partially used for combustion. A carefully designed fireplace makes use of perhaps 10 – 15 % of the heat available; most still going up the flue. The well-constructed potbellies get perhaps 20 – 25 % and the automatic, draft regulated, tightly sealed wood heaters get perhaps 50 %.

Notice that the percentage efficiency goes up as the combustion process becomes more and more controlled. The roaring fire is a complete waste of fuel. The best situation is one where the combustion chamber is gas-tight. This allows a controlled fire that toasts the wood and puts the right quantity of wood gas in the right place and at the right temperature for optimal combustion and heat transfer.

The NEWMAC COMBINATION OIL AND WOOD FURNACE toasts the wood to charcoal and the charcoal and the charcoal burns to dust leaving a minute amount of residue. From the above heat values, it can be seen that a cord of Hickory wood is equivalent to \$ 248.22 (@ 30.0 cents litre) worth of oil, over twice as much as you would pay for a cord of wood.

Without taking into account all the free wood that is available, EFFICIENT WOOD HEATING cuts your heating costs in half.

# MAINTENANCE AND OPERATING BULLETIN

Regarding Multi-fuel and Solid Fuel Burning Heating Units

The following are some suggestions with reference to the above:

1. MAINTENANCE - In addition to periodic cleaning, it is most important that the unit be cleaned thoroughly at the end of each heating season. Both the primary and the secondary heat exchangers should be given extra attention with a steel scraper or brush. This will help to prevent rust and corrosion during the high humidity summer months. Also, if the firedoor is left open, it will allow for air to circulate through the units.
2. OPERATION
  - a. When burning with wood, the minimum setting for the manual draft slide should be in the center. (This is the slide knob beside the combustion fan above the firedoor). The closed position is for when burning with oil for a prolonged period (to obtain maximum efficiency) and the open setting is for initially starting a wood fire.
  - b. Do not attempt to burn the solid fuel in the spring or fall when temperatures are mild. This will cause the unit to be shut down for extended periods at a time and will form creosote and soot.
  - c. In the Multi-fuel units – two or three times a week, burn the oil fuel for an hour or so. This will help to keep the unit clean of creosote build up.
  - d. In the Solid Fuel units – burn the fuel at maximum draft with good dry wood for an hour or so (once or twice a week). This will help to prevent creosote build up.
  - e. During the off season, in order to dry out the humidity in the unit, fire the furnace once a month for at least 30 minutes.

The multi-fuel unit – use the oil side.

The solid fuel furnace – build a fire with dry wood.

The above details, if adhered to, will extend the longevity of your furnace and provide many years of warm, comfortable heat.

# IMPORTANT INSTRUCTIONS

1. An emergency power switch is required to be installed in a convenient location at a safe distance from the burner. This switch interrupts the electrical supply circuit to the appliance. Make sure you are aware of its location and the off position is clearly marked.
2. Keep the space clear around the appliance within the specified clearances to combustibles.
3. Ensure the supply of combustion air to the appliance is not obstructed or cut-off.
4. Maintain proper ventilation of the appliance area.
5. Maintain free air flow through the return air registers. \*
6. Contact service personnel before remodeling.
7. Contact service personnel for annual service and maintenance.
8. Contact service personnel for air filter replacement. \*
9. Contact service personnel before and after extended periods of appliance in operation.
10. The burner is fully automatic in operation. All adjustments should be made by a qualified technician. Do not push the reset button more than once.

CAUTION: do not attempt to start the burner when excess oil has accumulated, when the appliance is full of vapor, or when the combustion chamber is very hot.

11. CAUTION: do not tamper with the appliance or controls—call your service personnel.
12. Do not use gasoline, crankcase oil, or any oil containing gasoline
13. Always keep the oil supply valve shut off if the burner is shut down for an extended period of time.
14. Do not start the burner unless the blower access door is secured in place.
15. Never burn garbage or paper in the heating system, and never leave paper or rags around the appliance.

\* Furnaces only



# INSTALLER INFORMATION

NAME: \_\_\_\_\_ COMPANY: \_\_\_\_\_

Call (\_\_\_\_) \_\_\_\_\_ for a service call or for additional information.

## APPLIANCE INITIAL TEST AND SERVICE INFORMATION

MODEL: \_\_\_\_\_ INSTALLATION DATE: \_\_\_\_\_

		DATE		
1	FUEL INPUT (GPH)			
2	FUEL PRESSURE (PSIG)			
3	DRAFT @ BREECH			
4	DRAFT @ OVERFIRE			
5	NOZZLE ANGLE/PATTERN			
6	CO2 PERCENT			
7	BURNER MODEL			
8	FLUE GAS TEMP OF			
9	ROOM TEMP OF			
10	SMOKE DENSITY NO.			
11	FUEL GRADE NO.			
12	STATIC PRESSURE IN WC (BONNET)			
13	AIR TEMP. INLET OF			
14	AIR TEMP. OUTLET OF			
15	AIR TEMP RISE OF			
16	LIMIT CONTROLS FUNCTIONING PROPERLY			
17	PRIMARY CONTROL SHUT OFF TIME (FLAME FAILURE)			
	SHUT OFF TIME (IGNITION FAILURE)			
18	PULLEY TURNS OPEN			

NEWMAC MULTI FUEL AND SOLID FUEL HEATING UNIT  
"LIMITED" WARRANTY

Subject to the following provisions Newmac Mfg. Inc. (Newmac) warrants the heating unit, to the original owner, under normal use and repair, against defects in workmanship and materials, for a period of one calendar year from the date or original installation. Blower, motor, controls and/or any other electrical or mechanical components, not manufactured by Newmac, are not warranted by Newmac, but are warranted for a period of one year from date of original installation, by their respective manufacturer. In addition to this comprehensive, unconditional one year, new product warranty, Newmac further warrants the heat exchanger for an additional nine calendar years from date of original installation and in accordance with the declining table as set out below.

THE NEWMAC EXTENDED CONDITIONAL HEAT EXCHANGER WARRANTY PROGRAM  
(Warranty protection calculated from date of original installation)

	Owner Warranty Protection	Owner Replacement Charge
First full year	100%	0%
From year one through year two	80%	20%
From year two through year four	60%	40%
From year four through year six	50%	50%
From year six through year eight	40%	60%
From year eight through year ten	20%	80%
From year ten and over	0%	100%

**NOTES**

1. Owner Replacement Charges are expressed as a percentage of the replacement retail price prevailing at the time of replacement purchase.
2. Newmac is NOT responsible for:
  - A. Labor charges generated by removal of malfunctioning component and re-installation of replacement component.
  - B. Freight charges generated by any form of transportation of replacement component.
  - C. Any applicable sales tax generated by the purchase of replacement component.
  - D. Corrosion is not covered under warranty regardless of cause.

**General Conditions and Limitations**

1. The heating unit must be installed by a qualified licensed installer with the Newmac installation instructions. The heating unit must also be installed in accordance with all applicable codes and the National Warm Air Heating and Air Conditioning Association Standards or generally accepted equivalent standards.
2. The heating unit is NOT designed, or intended for use in a corrosive atmosphere (such as a concentration of acids or halogenated hydrocarbons). The installation, and operation of the unit in such an environment, will be considered as gross misuse, and all warranties will be automatically invalidated.
3. The heating unit must not be modified away from its published design and/or specifications without prior written authorization, for such modification, from Newmac.
4. The heating unit must be correctly sized to operate at its designed capability.
5. The heating unit must be correctly fueled to operate within its designed function.
6. The heating unit must be maintained and cleaned at regular intervals, and in accordance with instructions contained in the Newmac owner's manual.
7. Failure to comply with all the above stated qualifying conditions, will render the Newmac Warranty null, and void in its entirety.
8. This warranty is the only warranty made by Newmac, and furthermore, Newmac does not authorize any person or company to change, or alter, the conditions under which this warranty is provided. Newmac does not authorize any person, or company, to provide any other warranty on its behalf.
9. For routine service requirements, contact the dealer who installed the equipment originally or an alternate qualified and registered heating dealer or electrician.
10. As previously stated herein, Newmac does not assume responsibility for costs of delivery or labour charges involved in the replacement of defective component parts.
11. Newmac shall not be responsible for any consequential damage however caused whether by a defect in the heating unit or any part thereof warranted hereunder or by the negligence of any person.
12. This warranty is not effective unless the warranty registration card is properly filled out with all of the required information and received at Newmac's factory at the address below within (30) days from the installation date.

NOTE: Keep this warranty certificate and the instruction manual for future reference. To register your warranty, please complete form below, detach and mail to Newmac Mfg. Inc. P.O. Box 9, Lancaster Cr; Debert, N.S. B0M 1G0

**LIMITED LIFETIME WARRANTY REGISTRATION**

-----  
Owner's Name Date of Installation

-----  
Address of Installation

-----  
Dealer's Name Dealer's Address

-----  
Furnace Serial Number Furnace Model Number

# GARANTIE "SOUS CONDITIONS" FOURNAISE À MULTI-COMBUSTIBLES ET À COMBUSTIBLE SOLIDE NEWMAC

Newmac Mfg. Inc. ("Newmac") garantit l'appareil de chauffage dans des conditions normales d'utilisation et de réparation contre tout vice de matériau et de fabrication, pour une période d'un an à compter de la date d'installation, pourvu que le propriétaire soit le même qu'à l'origine et que les conditions suivantes soient respectées.

Newmac n'offre aucune garantie sur la soufflerie, le moteur et les commandes, ainsi que sur tout composant électrique ou mécanique non fabriqué par Newmac. Toutefois : ces articles sont garantis par leur fabricant respectif pour une période d'un an à compter de la date d'installation.

En plus d'offrir cette garantie complète d'un an sans condition sur ces produits neufs, Newmac garantit l'échangeur de chaleur pour une période supplémentaire de neuf ans à compter de la date de l'installation, selon le barème décroissant ci-dessous. Programme de garantie sous conditions pour l'échangeur de chaleur Newmac (Niveau de protection calculé à compter de la date de l'installation)

Protection Garantie (propriétaire)	Frais de remplacement (propriétaire)	
Première année complète	100%	0%
Entre un an et deux ans	80%	20%
Entre deux et quatre ans	60%	40%
Entre quatre et six ans	50%	50%
Entre six et huit ans	40%	60%
Entre huit et dix ans	20%	80%
Après dix ans	0%	100%

## REMARQUES

- Les frais de remplacement imputés au propriétaire sont exprimés en pourcentage du prix de remplacement en vigueur au détail au moment du remplacement.  
Newmac ne sera PAS tenue de payer :  
A. Les frais de la main-d'œuvre requise pour retirer le composant défectueux et installer le composant de remplacement.  
B. Les frais de transport du composant de remplacement, quel qu'en soit le mode.  
C. La taxe sur la vente imposée à l'achat du composant de remplacement.  
D. Les dommages causés par la corrosion ne sont pas couverts par la garantie.

## CONDITIONS ET LIMITES GÉNÉRALES

- Cet appareil de chauffage doit être installé par un installateur qualifié possédant tous les permis exigés, selon les instructions de Newmac et selon toutes les normes applicables, y compris celles de la National Warm Air Heating and Air Conditioning Association, ou selon des normes équivalentes généralement acceptées.  
L'appareil de chauffage n'est PAS conçu pour être utilisé (et ne doit pas l'être) dans une atmosphère corrosive (concentration d'acides ou d'hydrocarbures halogénés). Si l'appareil est installé ou utilisé dans une telle atmosphère, ceci sera considéré comme une utilisation abusive et annulera automatiquement toutes les garanties applicables.  
L'appareil de chauffage ne doit pas être modifié (modifications de l'installation ou des composants) sans en avoir obtenu l'autorisation écrite de Newmac.
- Le modèle de l'appareil de chauffage choisi doit répondre aux besoins de son utilisation, posséder la capacité voulue et être utilisé avec le combustible approprié à la fonction prévue.  
L'appareil doit être entretenu et nettoyé à intervalles réguliers, conformément aux directives mentionnées dans le manuel du propriétaire fourni par Newmac.
- Tout écart à l'une ou l'autre des conditions stipulées ci-dessus annulera toutes les clauses de la garantie offertes par Newmac.  
Cette garantie est la seule garantie donnée par Newmac. De plus, Newmac n'autorise aucune personne ou compagnie à changer ou modifier les conditions de cette garantie ni à offrir une autre garantie en son nom.  
Pour l'entretien de routine, d'adresser au détaillant responsable de l'installation de l'appareil à l'origine ou à un détaillant/électricien qualifié et autorisé à effectuer les travaux de chauffage.
- Tel que mentionné aux présentes, Newmac ne sera pas tenue de payer les frais de livraison et de main-d'œuvre découlant du remplacement des pièces de composants défectueux.  
Newmac ne sera responsable d'aucun dommage indirect causé par une défectuosité de l'appareil de chauffage ou de toute pièce garantie en vertu de la présente, ni par le négligence de toute personne.
- Cette garantie n'est valide que si la carte d'inscription est dûment remplie, contient tous les renseignements requis et est reçue chez Newmac, à l'adresse ci-dessous, dans les trente (30) jours suivant l'installation.

REMARQUE: Conservez ce certificat de garantie et le manuel d'instructions pour référence.

# CARTE D'INSCRIPTION DE LA GARANTIE

ÉCRIRE À LA MACHINE OU EN LETTRES MOULÉES

Nom du propriétaire .....  
 Adresse de l'installation .....  
 Date de l'installation .....  
 Nom du détaillant .....  
 Adresse du détaillant .....  
 No de série de la fourniture .....  
 No du modèle de la fourniture .....

# INFORMATION FOURNIE PAR L'INSTALLATEUR

NOM : \_\_\_\_\_ COMPAGNIE: \_\_\_\_\_

Le propriétaire doit appeler le (\_\_\_\_) afin d'obtenir des réparations ou de plus amples renseignements.

ESSAI DE MISE EN SERVICE ET INFORMATION SUR LE FONCTIONNEMENT

MODELE : \_\_\_\_\_ DATE: \_\_\_\_\_

D'INSTALLATION : \_\_\_\_\_

		DATE	
1	Alimentation en combustible (GPH)		
2	Pression du combustible (lb/pc <sup>2</sup> man.)		
3	Tirage au collet de fumée		
4	Tirage au d'essus de feu		
5	Angle du gicleur, en couronne ou solide		
6	Pourcentage de CO <sup>2</sup>		
7	Modèle du brûleur		
8	Temp. Gaz de combustion (°F)		
9	Temp. Ambiante (°F)		
10	Densité de fumée N°		
11	Qualité de mazout		
12	Pression statique colonne d'eau, au bonnet		
13	Temp. d'air entrée (°F)		
14	Temp. d'air sortie (°F)		
15	Hausse temp. d'air (°F)		
16	Fonctionnement de contrôle de limite		
17 A	Commande primaire Décali mise hors service (défaut flamme)		
B	Décali mise hors service (défaut allumage)		
18	Ouverture poulie, nombre de tours		

# LES INSTRUCTIONS IMPORTANTES DE PROPRIÉTAIRE

1. UN INTERRUPTEUR GÉNÉRAL D'URGENCE EST EXIGÉ ÊTRE INSTALLÉ DANS UN EMPLACEMENT COMMODE À UNE DISTANCE SÛRE DU BRÛLEUR. CE COMMUTATEUR INTERROMPT LE CIRCUIT DE PROVISION ÉLECTRIQUE À L'APPAREIL. S'ASSURER QUE VOUS ÊTES CONSCIENT DE SON EMPLACEMENT ET LE DE LA POSITION EST CLAIEMENT MARQUÉ.

2. GARDER L'ESPACE ÉCLAIRCIT AUTOUR DE L'APPAREIL DANS LES DÉGAGEMENTS SPÉCIFIÉS À COMBUSTIBLES.

3. ASSURER QUE LA PROVISION D'AIR DE COMBUSTION À L'APPAREIL N'EST PAS ENCOMBRÉE OU LA LIMITE

4. MAINTENIR LA VENTILATION CORRECTE DU SECTEUR D'APPAREIL.

5. MAINTENIR DU FLUX LIBRE D'AIR PAR LES REGISTRES D'AIR DE RETOUR. \*

6. CONTACTER LE PERSONNEL DE SERVICE AVANT DE REMODELER.

7. CONTACTER LE PERSONNEL DE SERVICE POUR LE SERVICE ET L'ENTRETIEN ANNUEL.

8. CONTACTER LE PERSONNEL DE SERVICE POUR LE REMPLACEMENT DE FILTRE À AIR. \*

9. CONTACTER LE PERSONNEL DE SERVICE AVANT ET APRÈS LES PÉRIODES PROLONGÉES DE INOPERATION D'APPAREIL.

10. LE BRÛLEUR EST ENTièrement AUTOMATISÉ. TOUS LES AJUSTEMENTS DOIVENT ÊTRE FAIT PAR UN TECHNICIEN QUALIFIÉ. NE PAS APPUYER PLUS D'UNE FOIS SUR LE BOUTON DE RÉ-ENCLANCHEMENT.

CAUTION : PAS LA TENTATIVE POUR COMMENCER LE BRÛLEUR QUAND LE PÉTROLE SUPPLÉMENTAIRE A ACCUMULÉ, QUAND A L'APPAREIL EST PLEINE DE VAPEUR, OU QUAND LA CHAMBRE DE COMBUSTION EST TRÈS CHAUDE.

**11. CAUTION : NE PAS ALTERER L'APPAREIL OU LES CONTRÔLES—APPELLE VOTRE PERSONNEL DE SERVICE.**

**12. NE PAS UTILISER DE L'ESSENCE, DE CARTER OU TOUTE HUILE CONTENANT DE L'ESSENCE.**

13. TOUJOURS GARDER LA SOUPAPE DE PROVISION DE PÉTROLE À ÉTEINT SI LE BRÛLEUR EST FERMÉ POUR UNE PÉRIODE PROLONGÉE DE TEMPS.

14. NE PAS AMORCER LE BRÛLEUR QUAND LA PORTE DE LA SOUFFLERIE N'EST PAS BIEN FIXÉE EN PLACE.

15. NE PAS BRÛLEUR DE DÉCHETS OU DE PAPIER DANS LE SYSTÈME DE CHAUFFAGE. NE JAMAIS LAISSER DE PAPIER OU DE CHIFFONS PRÈS DE L'APPAREIL.

\* LES FOURNAISES SEULEMENT

Espèces	Poids approx. par corde	BTU par corde sèche à l'air	Équivalent en litres d'huile #2	Coût @ \$0.70	Coût @ \$0.75	Coût @ \$0.80
Noyer blanc	3595	30,600,000	827.4	\$579.18	\$620.55	\$661.92
Erable dur	3075	29,000,000	784.6	\$549.22	\$588.45	\$627.68
Hêtre	3240	27,800,000	752.4	\$526.68	\$564.30	\$601.92
Chêne rouge	3240	27,300,000	738.7	\$517.09	\$554.03	\$590.96
Bouleau jaune	3000	26,200,000	709.2	\$496.44	\$531.90	\$567.36
Orme	2750	24,500,000	662.8	\$463.96	\$497.10	\$530.24
Erable mou	2500	24,000,000	649.2	\$454.44	\$486.90	\$519.36
Mélèze	2500	24,000,000	649.2	\$454.44	\$486.90	\$519.36
Merisier	2550	23,500,000	635.5	\$444.85	\$476.63	\$508.40
Frêne	2950	22,600,000	611.4	\$427.98	\$458.55	\$489.12
Épinette	2100	18,100,000	490.1	\$343.07	\$367.58	\$392.08
Ciguë	2100	17,900,000	484.1	\$338.87	\$363.08	\$387.28
Tremble	1900	17,700,000	483.2	\$338.24	\$362.40	\$386.56
Pin blanc	1800	17,700,000	462.8	\$323.96	\$347.10	\$370.24
Tilleul	1900	17,000,000	459.6	\$321.72	\$344.70	\$367.68

**POUR CONVERTIR LES LITRES EN GALLONS U.S., MULTIPLIER PAR .264.**

Le bois ayant le plus haut contenu calorifique demande le moins de manipulations. Un foyer peut refroidir une maison parce qu'il aspire une grande quantité d'air froid qui n'est que partiellement utilisé pour la combustion. Le foyer le mieux conçu ne rend que de 10 à 15% de la chaleur produite; le reste s'échappe par la cheminée. Les poêles à bois appelés familièrement "true" rendent de 20 à 25% et les chaudières à bois automatiques, étanches et à tirage contrôlé en rendent jusqu'à 50%.

Notez que le taux d'efficacité augmente à mesure que le processus de combustion devient contrôlé. Un feu rampant gaspille le combustible. Une chambre de combustion étanche constitue le système idéal pour contrôler un feu. Le bois y est virtuellement roi. La bonne quantité de gaz se trouve toujours au bon endroit et à température requise pour une combustion et un échange de chaleur optimum. La FURNACE NEWMAC MIXTE à bois et à l'huile brûle le bois en charbon de bois, lequel se consume jusqu'aux cendres ne laissant qu'une faible quantité de résidus. Le tableau des valeurs calorifiques ci-haut démontre qu'une corde de noyer équivaut à \$248.22 (@ \$0.30/litre) d'huile à chauffage, le double du déboursé pour une corde de bois. Sans tenir compte du bois que vous pouvez procurer gratuitement, un CHAUFFAGE AU BOIS EFFICACE diminue vos coûts de moitié.

# COMMUNIQUE SUR L'ENTRETIEN ET LE FONCTIONNEMENT

1. ENTRETIEN  
 Fournaises à multi-combustibles et à combustible solide Voici quelques suggestions concernant les appareils ci-dessus:  
 En plus de nettoyer périodiquement la fournaise, il est très important de la nettoyer à fond à fin de chaque saison de chauffage. Accorder un soin particulier aux échangeurs de chaleur primaire et secondaire en les nettoyant à l'aide d'une brosse ou d'un grattoir en acier. Ceci aidera à prévenir la rouille et la corrosion durant les mois très humides de l'été. De plus, laisser la porte du foyer ouverte afin de laisser circuler l'air dans la fournaise.

2. FONCTIONNEMENT  
 c. Pour le chauffage au bois, placer vers le milieu la glissière de tirage – le bouton coulissant situé à côté du ventilateur de combustion, au-dessus de la porte du foyer. Régler la glissière au minimum pour chauffer au mazout durant de longues périodes, afin d'obtenir l'efficacité optimale, et au maximum pour amorcer le chauffage au bois.  
 d. Ne pas chauffer au bois au printemps ou à l'automne alors qu'il fait doux, car la fournaise s'éteindra alors pour de longues périodes de temps, ce qui stimulera la formation de la crésote et de la suie.  
 e. Fournaises à multi-combustibles – Deux ou trois fois par semaine, chauffer la fournaise au mazout durant environ une heure, afin d'empêcher l'accumulation de la crésote dans la fournaise.  
 f. Fournaises à combustible solide – Une fois ou deux par semaine, ouvrir la glissière au maximum et chauffer la fournaise avec du bon bois sec afin d'éviter l'accumulation de la crésote.  
 g. Durant la saison chaude, afin de dissiper l'humidité dans la fournaise, chauffer la fournaise durant au moins 30 minutes, une fois par mois.  
 Fournaise à multi-combustibles – utiliser la section au mazout.  
 Fournaise à combustible solide – utiliser du bois sec.  
 En respectant ces directives, vous prolongerez la durée de votre fournaise et obtiendrez une chaleur confortable durant des années.

Pour une densité de fumée donnée, près d'une surface, plus la surface est froide et plus la créosote s'y condensera. Le phénomène est similaire à celui de la vapeur d'eau qui se condense sur la paroi extérieure d'un verre d'eau glacée par une journée humide, sauf pour une inversion de la condensation apparaît à l'intérieur de la cheminée lorsque l'air froid extérieur de la maison, par une journée froide, sera humide à l'intérieur et aura de la créosote (l'eau) presque tout le temps. Une cheminée en métal préfabriquée et bien isolée a le moins de problèmes sérieux de créosote. Son isolation maintient une température plus élevée sur sa surface intérieure et elle possède la propriété de se réchauffer très rapidement. Les cheminées en maçonnerie accumulent des dépôts au départ d'un feu et leur surface intérieure se réchauffe plus lentement à cause de leur construction massive. Tout genre de cheminée qui s'élève à l'extérieur d'une maison est plus exposé aux problèmes de créosote que la même cheminée s'élevant à l'intérieur de la maison. Ceci est causé par l'effet de refroidissement de l'air extérieur sur la cheminée.

La température moyenne des gaz d'échappement peut être augmentée en réduisant la longueur du tuyau à fumée reliant le poêle à la cheminée. Ceci réduira l'efficacité énergétique du système. Il est souvent vrai que toute mesure visant à réduire la formation de créosote diminue d'autant l'efficacité. Par exemple, des poêles ayant une efficacité énergétique due à leur excellent transfert de chaleur (i.e. le Sevcia, langé 6303 et les poêles à bariis jumelés) sont plus sujets aux problèmes de créosote à cause justement de leur capacité à extraire la chaleur du dépôt dans la cheminée réduit l'efficacité du système de chauffage. La créosote est inévitable et il faut s'en accommoder. Tout dépôt dans la cheminée réduit l'efficacité du système de chauffage. La suie et les accumulations de créosote sèche ont une propriété isolante qui empêche la chaleur des gaz d'échappement de se transmettre à la maison par le tuyau à fumée et la cheminée. De la créosote qui s'écoule d'un tuyau à fumée ou d'une cheminée est un problème embêtant mais le plus dangereux est un feu de cheminée causé par la créosote, ou son résidu pyrolysé.

L'écoulement de créosote peut être habituellement éliminé. Les joints des segments verticaux du tuyau à fumée ne couleront pas si, aux joints, la partie la plus petite et ondule vers le bas et bien entoncée à l'intérieur de l'extrémité receptrice. (La fumée ne s'échappera pas des joints maitre l'orientation du chevronnement). À cause de cette orientation inhabituelle du tuyau à fumée, un raccord sera nécessaire à certains endroits, pour joindre le tuyau à fumée du poêle à la cheminée préfabriquée ou au chapéau. Des raccords spéciaux à l'épreuve des écoulements sont offerts pour joindre certaines dimensions de tuyau à fumée aux cheminées préfabriquées de marque Metalbestos. Les coudes de tuyau à fumée ordinaires peuvent couler par leurs joints mobiles; des coudes rigides de type accordéon sont disponibles et ils sont imperméables. Les sections de tuyau à fumée horizontales ou légèrement ascendantes doivent être orientées pour que la coudre soit sur le dessus. Les raccords entre les sections horizontales sont les plus difficiles à rendre étanches. Un bon scelleur de joints haute-température peut s'avérer utile mais n'est pas garanti. Les joints doivent être étanches et retenus par des vis à métal. Si tous les joints sont imperméables, la créosote s'écoulera dans le poêle où elle sera brûlée.

Un feu de cheminée se produit lorsque les dépôts inflammables à l'intérieur d'une cheminée prennent feu. Les dépôts se composent de créosote brulé, de créosote décomposé par la chaleur, ou de suie. L'allumage requiert une quantité suffisante d'oxygène, laquelle est habituellement disponible et une température élevée. Ce sont les mêmes conditions que pour l'allumage de tout autre combustible. Les feux de cheminée se produisent lors de feux de très grande intensité comme lors que sont brûlés du carton, des branches de sapin ou même du bois ordinaire mais en grande quantité. Un crépitement est entendu au départ d'un feu de cheminée. À mesure que le feu s'intensifie, le tuyau à fumée peut trembler violemment, l'air s'engouffrer avec force dans le poêle et le tuyau à fumée rougir. Un panache de flammes et des étincelles peuvent être aperçus s'échappant de cheminées sans chapéau.

Le moyen le plus efficace de circonscrire un feu de cheminée est de lui supprimer son alimentation en air, même si parfois l'eau et le sel sont efficaces. Si l'appareil est un poêle étanche, il est facile de fermer les registres d'alimentation en air, à la condition que tous les joints du tuyau à fumée et ceux de la cheminée soient étanches et qu'aucun autre appareil ne soit raccordé à la même cheminée.

Si la cheminée a été bien conçue et entretenue, le seul danger relatif aux feux de cheminées provient de l'émission de flammèches et de cendres ardoentes qui peuvent menacer la toiture ou les environs immédiats. Un écran pare-étincelles peut diminuer cette possibilité sans toutefois l'éliminer. Ces écrans ne sont pas toujours appropriés pour le chauffage au bois car ils peuvent se boucher. La cheminée et le tuyau à fumée, s'ils ont été installés correctement, peuvent supporter un feu de cheminée occasionnel sans danger pour leur entourage. Durant un feu de cheminée, il est recommandé de surveiller la toiture et les environs et même d'arroser les endroits critiques. Si la cheminée n'est pas conforme aux normes de sécurité, il est aussi recommandé de surveiller les surfaces à proximité de la cheminée.

Des gens provoquent des feux de cheminée fréquemment dans le but de nettoyer leur cheminée. Ceci prévient le feu intenses et, les feux de moindre importance sont surveillés attentivement. Sous certaines réserves cette pratique peut s'avérer utile, mais en général, il s'agit d'une méthode de nettoyage risquée. Il y a toujours danger d'incendier la maison. Tout feu de cheminée cause une certaine usure. Les hausses de température excessives augmentent la corrosion des métaux et l'expansion thermique de la maçonnerie favorise la formation et l'accroissement de fissures.

Des nettoyeurs de cheminées chimiques sont vendus. Les opinions sont partagées sur leur efficacité mais apparemment lorsqu'ils sont utilisés régulièrement selon les directives, ils sont efficaces et n'endommagent pas les cheminées. La méthode usuelle de nettoyage de cheminée fait appel à l'énergie humaine et à un outil mécanique. Une brosse raide, une lourde chaîne dans un sac, retenus par une corde, descendus et remontés dans la cheminée, de petites broses, toutes sont des méthodes qui ont été utilisées. On peut aussi faire appel à des ramoneurs professionnels.

Des gens font le nettoyage annuellement. D'autres, après quelques cordes de bois. Cependant, trop de facteurs influencent la formation de la créosote pour généraliser. Lors d'une nouvelle installation ou lors d'un changement (installation d'un poêle différent), la cheminée devrait être vérifiée fréquemment (après deux semaines, un mois, deux mois, etc.) jusqu'à ce que soit établie la fréquence des nettoyages.

L'article précédent est traduit d'un extrait de "THE WOODBURNER'S ENCYCLOPEDIA" Editeur: Vermont Crossroads Press, Inc. déc. 1976.

## POURQUOI SE PRÉOCCUPER DE FAIRE SÉCHER LE BOIS?

Le bois vert ou mouillé est indésirable pour plusieurs raisons. Le bois vert ou mouillé a tendance à moisir ou à pourrir ce qui en réduit de façon importante la valeur énergétique. Lorsque du bois vert ou mouillé est brûlé, 20 à 25% de sa valeur énergétique est affectée à l'évaporation de l'humidité contenue. Le bois vert ne brûlant pas facilement, pour maintenir le feu, il est souvent nécessaire d'ajouter du combustible et d'augmenter le tirage, ce qui diminue l'efficacité de la fournaise. L'excès d'air requis pour la combustion doit être réchauffé et il s'échappe par la cheminée plutôt que de servir à chauffer la maison.

## QU'EST-CE QUE LA CRÉOSOTE?

La fumée du bois contient presque toujours des gaz non brûlés et une brûlée de gouttelettes semblables à du goudron. Une partie de ces matériaux se condense et se dépose sur la paroi intérieure de la cheminée, tout comme la vapeur se condense sur une surface froide. Cette condensation est noire, gluante et liquide à sa formation. Quand elle sèche, elle est écaillée et luisante. La créosote a sensiblement la même valeur énergétique que l'huile à chauffage. L'accumulation de créosote dans la cheminée réduit non seulement la dimension effective de la cheminée mais constitue aussi un danger d'incendie.

## EST-CE QUE LE BOIS VERT FAVORISE LA FORMATION DE CRÉOSOTE?

Oui. Indirectement le bois vert crée de la créosote. Les gaz d'échappement se refroidissent en montant dans la cheminée. Si la température tombe sous le point de condensation, l'humidité contenue dans les gaz se condense à l'intérieur de la cheminée absorbant les divers produits de la combustion incomplète et formera de la créosote. Lors de la combustion de bois vert, les gaz d'échappement ont une haute teneur en humidité, et sont plus froids. Ils sont donc plus susceptibles de se condenser que les gaz provenant de la combustion de bois sec.

Le charbon se forme plus rapidement si la fournaise est surchargée, surtout par temps doux. En surchargeant, (trop de bois dans la fournaise) le ventillateur de tirage ne fonctionnera pas une plus grande partie du temps. Des charbons se formeront, lesquels se recouvriront de cendre. Cette cendre étouffera les charbons qui deviendront charbon de bois. Il faut retirer les charbons dans la fournaise avant d'ajouter du bois.

L'article ci-dessus est extrait et traduit d'un document préparé par: Nova Scotia Energy Council et Nova Scotia Research Foundation Corporation.

## LA CRÉOSOTE ET LES FEUX DE CHEMINÉE

La combustion du bois n'est jamais complète. La fumée provenant de la combustion du bois est formée de gaz non brûlés et d'une brûlée de gouttelettes semblables à du goudron. Une partie de ces composés se condense et se dépose sur toute la combustion de la cheminée après sa formation, se modifie par la suite d'une façon significative, tant dans sa forme physique que dans sa composition chimique. L'eau et les substances organiques volatiles s'évaporent, laissant les substances goudronneuses sur place. Si plus tard, elles sont chauffées par les gaz d'échappement d'un feu plus intense (ceci se produit habituellement), elles sont transformées en un même produit final que le bois, le carbone. La forme physique est généralement écaillée, souvent luisante d'un côté. Les dépôts partiellement consommés peuvent avoir l'apparence de bûches. Les flocons n'adhèrent pas fermement au tuyau à fumée et sont donc faciles à nettoyer à l'aide d'une brosse. Quelques-unes des autres formes ne se détacheront pas, même sous l'action d'une brosse raide.

L'importance du dépôt de créosote dépend surtout de deux facteurs : la densité de la fumée et des émanations provenant du feu et la température de la surface sur laquelle elles se condensent. Les plus grandes densités de fumée se forment lorsqu'une grande quantité de bois de petite dimensions est ajoutée à un lit de charbons et que le registre d'alimentation en air est fermé. Dans ce cas, il y a beaucoup de pyrolyse de bois, peu de combustion et peu d'air pour diluer la fumée. En pratique, la créosote se forme durant les feux de basse puissance et étouffés de la nuit. La densité de la fumée est moins grande lorsque la combustion est relativement complète et c'est le cas lorsque la quantité d'air admis est très grande. Les poêles ayant des fuites, les poêles ouverts et les foyers sont les appareils qui ont le moins de problèmes de créosote.

Une façon de réduire la densité de la fumée dans un poêle étanche consiste à employer moins de bois à chaque fois que du combustible est ajouté et/ou de brûler des bûches plus grosses. Dans les deux cas, l'apport d'oxygène en air n'a pas besoin d'être diminué pour limiter la chaleur et, de plus, la combustion sera probablement plus complète. Bien entendu, si moins de bois est ajouté, les chargements seront plus fréquents. Une autre façon de limiter la formation de créosote est d'ouvrir modérément l'entrée d'air après avoir ajouté du bois jusqu'à ce que celui-ci soit presque réduit en charbon puis de refermer l'entrée d'air autant que requis. Ceci favorisera une combustion complète durant la pyrolyse, alors que les composés de la créosote sont en formation, mais il y aura une poussée de chaleur lors de la combustion des gaz.

Un surplus d'air peut être ajouté aux gaz d'échappement dans le tuyau à fumée; c'est ce que fait l'inhibiteur de créosote "Ashley". Toutefois, l'effet d'ajouter de l'air de dilution n'est pas nécessairement bénéfique. En effet, ajouter de l'air diminuera effectivement la densité de la fumée mais en retour, abaissera la température. Ces effets s'opposent dans la formation de la créosote. La National Fire Prevention Association affirme que l'air de dilution accroît les dépôts dans la cheminée. L'effet de refroidissement de cet air de dilution ne favorise pas le transfert de chaleur à l'intérieur du tuyau à fumée et de la cheminée; donc, il réduit l'efficacité du système.

La formation de la créosote peut dépendre aussi du type de bois utilisé et de son contenu en humidité. Les bois francs secs ont la réputation de générer moins de créosote mais la quantité est quand même importante. Aucune sorte de bois n'élimine complètement la formation de créosote.



FIG. 19 - PIÈCES DE LE REMPLACEMENT

La Description	CL86-96C	CL86-96G	CL115-170C	CL115-170G	Numéro de pièce Newmac
Delhi Twin G9 Blower	X		X		D2040105
Delhi Twin G10 Blower			X		D2040104
Torin Twin BC916-916-1	X		X		** Arbre et roulements de rechange disponibles
Torin Twin BC1020-1020-1			X		** Arbre et roulements de rechange disponibles
Honeywell R8405C Transformer/Relay (Obsolète)					
Honeywell R8225B1007B Relay	X	X	X	X	D2010020
Honeywell L4064R Fan & Limit (8" Insertion)	X		X		D2010017
Honeywell L4064R Fan & Limit (8" Insertion)		X	X	X	D2010019
Honeywell Thermostat T822D2063	X	X	X	X	
White Rodgers 8A05A-4 Transformer/Relay	X	X	X	X	D2010050
White Rodgers Thermostat 1E30W-451S1	X	X	X	X	D2010008
Emerson 1/3 HP Motor	X	X	X	X	D2020002
GE 1/3 HP Motor	X	X	X	X	D2020002
AO Smith 1/3 HP Motor	X	X	X	X	D2020002
Airdex 50 CFM Draft Fan (7017011)	X	X	X		D2040001
Airdex 100 CFM Draft Fan (7817001)				X	D2040002
Fasco 50 CFM Draft Fan (7073-0655)					
Fasco 100 CFM Draft Fan (7021-1001-4)					
Ontor Field Draft Regulator B34C07GA	X	X	X	X	D2040022

## PRÉPARATION DU BOIS

### COMMENT DOIS-JE PRÉPARER MON BOIS POUR QU'IL BRÛLE BIEN?

Le bois doit être coupé en longueurs appropriées au poêle, à la fournaise ou au foyer où il sera brûlé. Une bûche de 8" peut être divisée en quatre, six ou huit morceaux. Tout dépend de la longueur requise. Le fendage du bois facilite le séchage et la manipulation.

### QUELLE QUANTITÉ D'HUMIDITÉ EST CONTENUE DANS LE BOIS?

Plusieurs bois mous contiennent environ 55% d'humidité lorsqu'ils sont fraîchement coupés. Les bois francs les plus populaires en contiennent environ 45%. Le bois séché à l'air libre contient environ 15% d'humidité et le bois séché au séchoir en contient moins de 10%.

### QU'EST-CE QUI FAIT POURRIR LE BOIS?

La coupe du bois favorise la croissance de champignons qui transforment le bois en eau, en gaz carbonique et en chaleur tout comme le feu. Le pourrissement diminue la valeur énergétique du bois. L'activité des champignons est à son paroxysme lorsque la température se situe entre 60 et 90°F, lorsque la teneur en humidité est supérieure à 30% et lorsque l'oxygène est disponible en quantité suffisante. Donc, le bois ne pourrit pas d'une manière appréciable s'il est sec, en hiver ou s'il est submergé dans l'eau. Le bois ne doit pas reposer sur le sol en été.

### COMMENT PRÉVENIR LE POURRISSMENT?

Lorsque le bois a été coupé à la longueur requise et fendu, il devrait être empilé à l'extérieur durant les mois de juin, juillet et août. Deux poteaux placés sur le sol éviteront que le bois n'entre en contact avec l'humidité du sol. Le bois devrait être orienté de façon à être exposé au soleil et au vent. L'humidité contenue dans le bois s'équilibrera avec l'humidité ambiante. Lorsque l'humidité relative est de 60% d'humidité. Lorsque le bois atteint cet équilibre, il est considéré comme "séché à l'air libre". À la mi-août, il devrait être abrité pour ne pas réabsorber de l'humidité, provenant de la pluie ou de la neige, avant son utilisation.

Clé	PARTIE #	LA DESCRIPTION
1	610594	
2	28117	Panneau latéral de section de soufflante
3	610595	Section de ventilateur petit panneau
4	D2040001	Panneau de partition de ventilateur
5	D5300012	Ventilateur de 50 PCM
6	D2180002	Assiète coulissante
7	D5300004	Filtere 16 "X 25" X 1 "
8	D5300005	Firedoor / Ashdoor Set terminé
9	28118	Firedoor Gasket Set Complete
10	D2040105	Panneau d'accès de section de ventilateur
11	D2240003	Ventilateur double à circulation d'air de 9 po
12	610597	Pouille soufflante 8 " X 3/4"
13	D5300009	Panneau de base de section de ventilateur
14	D4120414	Poignée Firedoor Complete

15	D5300006	Panneau de base de section de four
16	D2170007	Jeu de joints Ashdoor complet
17	D5400048	Aero Burner
17	D2110126	Beckett Burner
18	D4060118	Firedoor Air Chute
19	D5110006	Brique Fendue 1-1 / 4 "X 4 -1/2" X 9 "
20	D2030004	Chambre de combustion Corbel
21	D4060106	Brique Loc
22	D2080016	Joint avant
23	D4120119	Panneau avant de la section four
24	D4120218	Panneau latéral de section de four
25	D4120104	Panneau arrière de la section four
26	D4060142	Echangeur de chaleur
	D4060127	Cendrier
	D5110003	Brique droite 2 - 1/2 "X 4 - 1/2" X 9 "
	D3090182	Plaque de grille

Figure 18-4B - PARTS LIST - CL86-96G

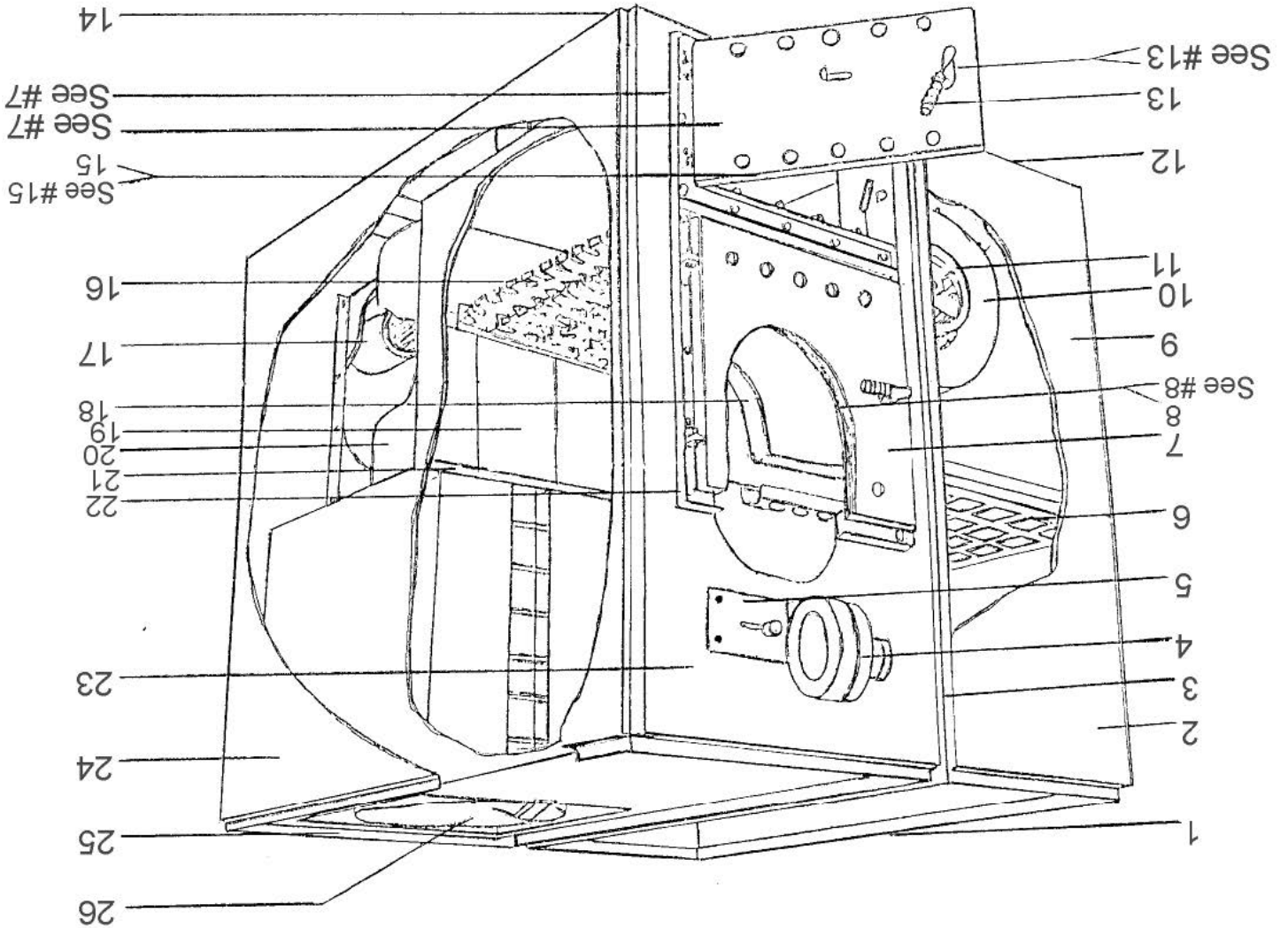


Figure 18-4A - CL86-96G WOOD/OIL COMBINATION FURNACE ASSEMBLY

Figure 18-2A - CL86-96C WOOD/OIL COMBINATION FURNACE ASSEMBLY

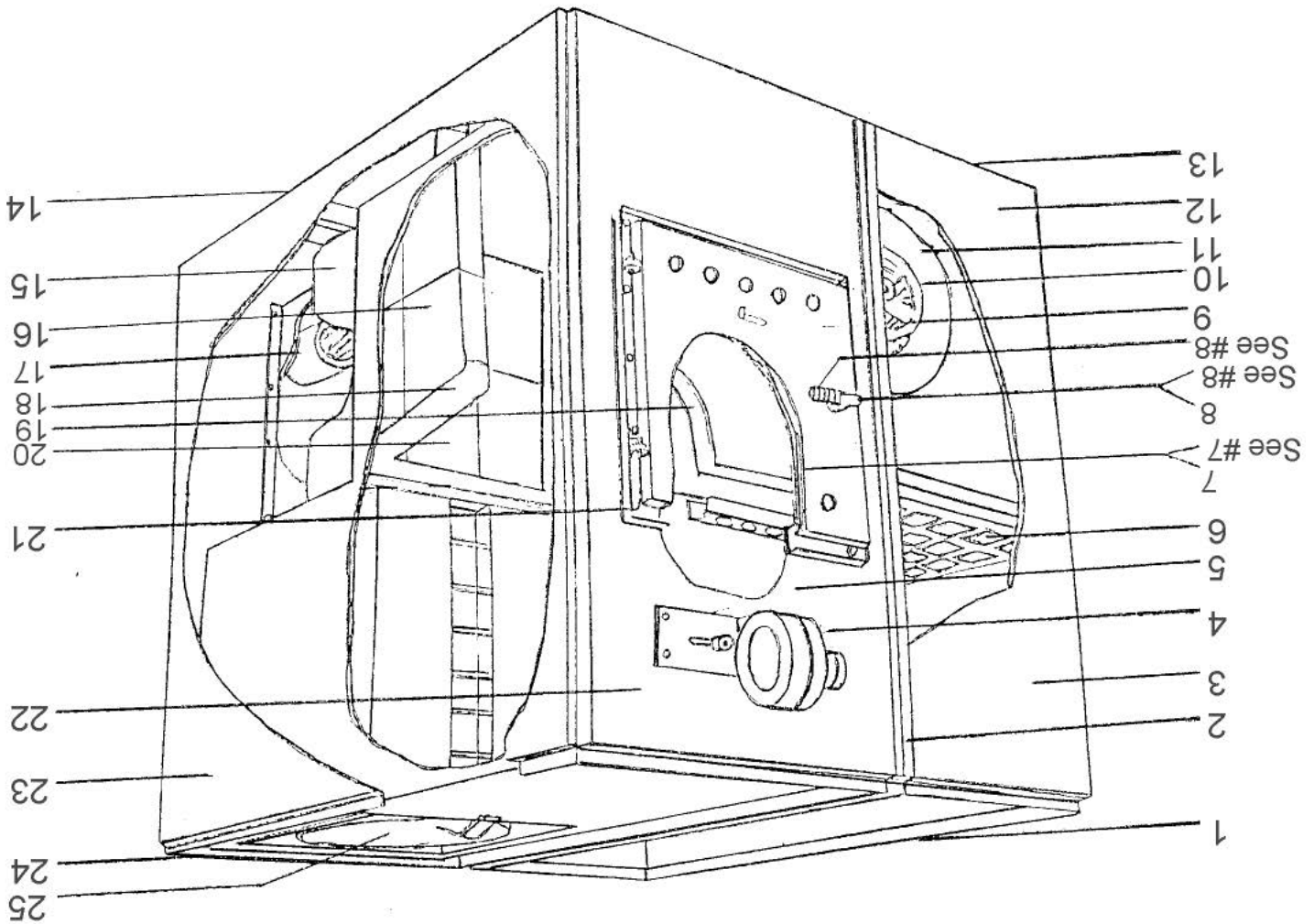


Figure 18-2B - PARTS LIST - CL86-96C

Clé	PARTIE #	LA DESCRIPTION
1	610594	Panneau latéral de section de ventilateur
2	610595	Panneau de partition de ventilateur
3	28117	Section de ventilateur petit panneau
4	D2040001	Ventilateur de 50 PCM
5	D5300012	Assiète coulissante
6	D2180002	Filtre 16" X 25" X 1"
7	D5300005	Firedoor Gasket Set
8	D5300009	Poignée Firedoor Complète
9	D5300001	Firedoor Set Complète
10	D2240003	Pouille soufflante 8" X 3/4"
11	D2040105	Ventilateur double à circulation d'air de 9 po
12	28118	Panneau d'accès de section de ventilateur
13	610597	Panneau de base de section de ventilateur

14	D4120414	Panneau de base de section de four
15	D2030004	Chambre de combustion Corbel
16	D5110003	Brique droite 2 - 1/2" X 4 - 1/2" X 9"
17	D5400048	Aero Burner
17	D2110126	Beckett Burner
18	D4060106	Brique Loc
19	D4060171	Firedoor Air Chute
20	D5110006	Brique Fendue 1 - 1/4" X 4 - 1/2" X 9"
21	D2080001	Joint avant
22	D4120120	Panneau avant de la section four
23	D4120218	Panneau latéral de section de four
24	D4120104	Panneau arrière de la section four
25	D4060143	Echangeur de chaleur

Figure 18-3A - ENSEMBLE FOUR À COMBINAISON BOIS / HUILE CL115-170G

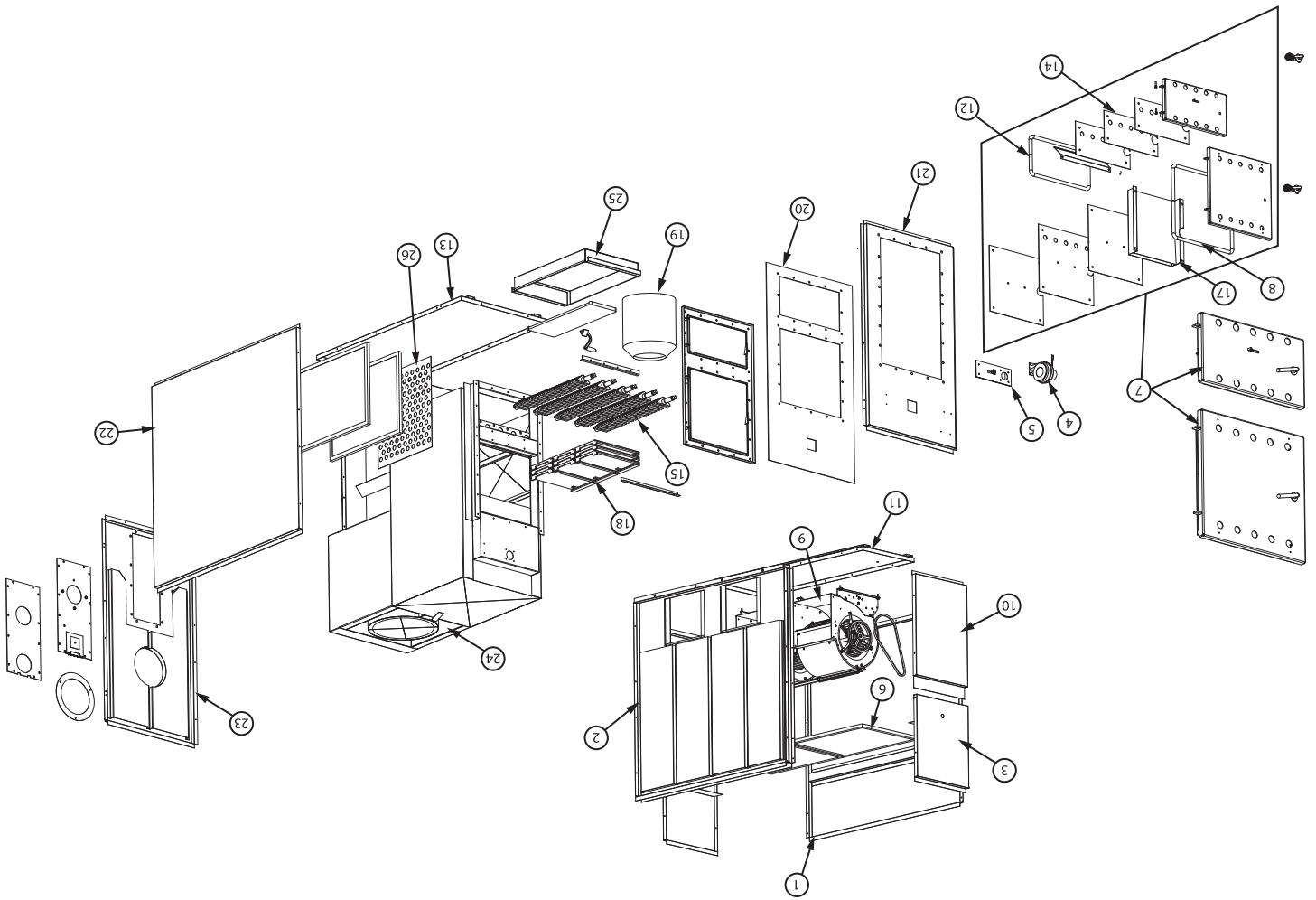


Figure 18-3B - LISTE DES PIÈCES - CL115-170G

Clé	PARTIE #	LA DESCRIPTION
1	610589	Panneau latéral de section de ventilateur
2	610590	Panneau de partition de ventilateur
3	610592	Section de ventilateur petit panneau
4	D2040002	Ventilateur de 100 PCM
5	D5300012	Assiète coulissante
6	D2180003	Filtre 20" X 25" X 1"
7	D5300003	Firedoor / Ashdoor Set terminé
8	D4110105	Joint de corde Firedoor 3/4"
9	28105	Panneau d'accès de section de ventilateur
10	D2040104	Souffleur double à circulation d'air de 10 po
11	610591	Panneau de base de section de ventilateur
12	D4110106	Joint de corde 3/4" Ashdoor

13	D4120409	Panneau de base de section de four
14	D2080021	Joint d'entretoise de porte en frêne
15	D2170007	Grille de fonte
16	D5400047	Aero Burner (non illustré)
	D2110128	Beckett Burner (non montré)
17	D4060116	Firedoor Air Chute
18	D2170009	Doublure en fonte
19	D2030001	Chambre de combustion Corbel
20	D2080020	Joint avant
21	D4120117	Panneau avant de la section four
22	D4120213	Panneau latéral de section de four
23	D4120103	Panneau arrière de la section four
24	D4060138	Echangeur de chaleur
25	D4060128	Cendrier
26	D3090183	Plaque de grille

Figure 18-1A - ENSEMBLE FOUR À COMBINAISON BOIS / HUILE

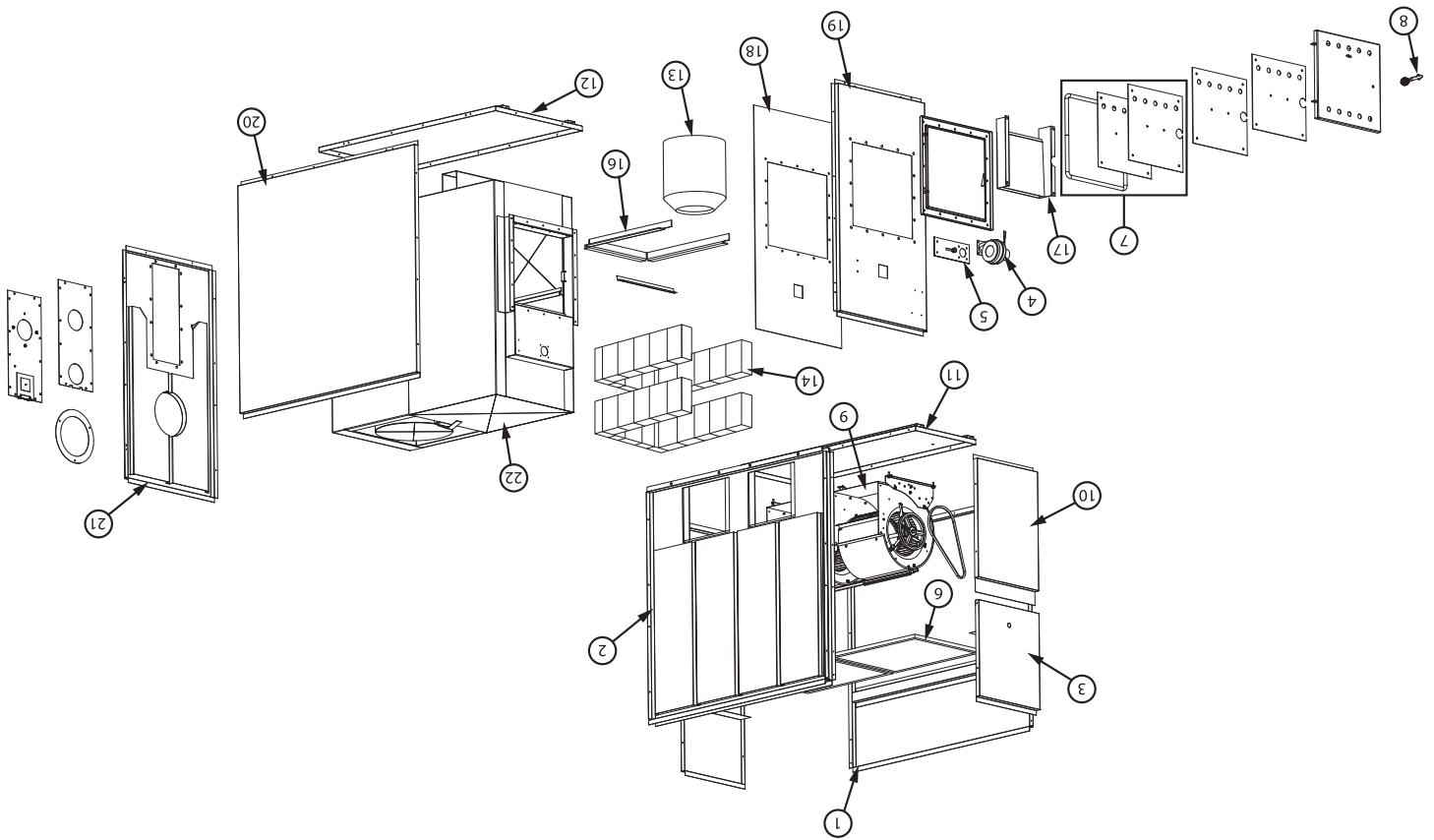


Figure 18-1B - LISTE DES PIÈCES - CL115-170C

11	610591	Panneau de base de section de ventilateur
12	D4120409	Panneau de base de section de four
13	D2030001	Chambre de combustion Corbel
14	D5110003	Brique droite 2 - 1/2" X 4 - 1/2" X 9"
15	D5400047	Aero Burner (non illustré)
	D2110128	Beckett Burner (non montré)
16	D4060101	Brique Loc
17	D4060114	Firedoor Air Chute
18	D2080009	Joint avant
19	D4120116	Panneau avant de la section four
20	D4120213	Panneau latéral de section de four
21	D4120103	Panneau arrière de la section four
22	D4060134	Echangeur de chaleur

Ciè	PARTIE #	LA DESCRIPTION
1	610589	Panneau latéral de section de ventilateur
2	610590	Panneau de partion de ventilateur
3	610592	Section de ventilateur petit panneau
4	D2040001	Ventilateur de 50 PCM
5	D5300012	Assiette coulissante
6	D2180003	Filtre 20" X 25" X 1"
7	D5300007	Firedoor Gasket Set
8	D5300009	Poignée Firedoor Complète
9	D2040104	Souffleur double à circulation d'air de 10 po
10	28105	Panneau d'accès de section de ventilateur

CIE F3 & F5	RIELLO	NEWMAC	BRÛLEUR MODÈLE		LA DESCRIPTION
			F3	F5	
10	C7010002	D2090043	X	X	Joint torique - couvercle de pompe
20	3002279		X	X	Bobine de solénoïde
21	3007802	D2060007	X	X	Pompe
23	3005843		X	X	Moteur
25	3002280	D2010045	X	X	Cellule photo
26	C7001029	D2010048	X	X	Contrôle primaire 530 SE / C
28	3005855		X	X	Bride de montage universelle
29	3005856	D2080058	X	X	Joint de montage
33	3007204		X	X	Obtrateur d'air manuel
35	3005844	D2090041	X	X	Condensateur 12,5 Uf
36	3005708		X	X	Ventilateur
40	C3948874	D2090051	X		Assemblage de tube de soufflage
	C3948974	D2090046	X		Assemblage de tube de soufflage
	C7001033	D2030016	X	X	Protecteur de tube de souffle
	3007568		X	X	Bleeder
	3006925		X	X	Tige de valve
49	C7001013		X	X	Sac de pièces
		D2010034	X	X	Relais 24 V, commutation (pour Riello)

Figure 17-4B - LISTE DES PIÈCES DU BRÛLEUR À GAZ AERO PGB 220-370

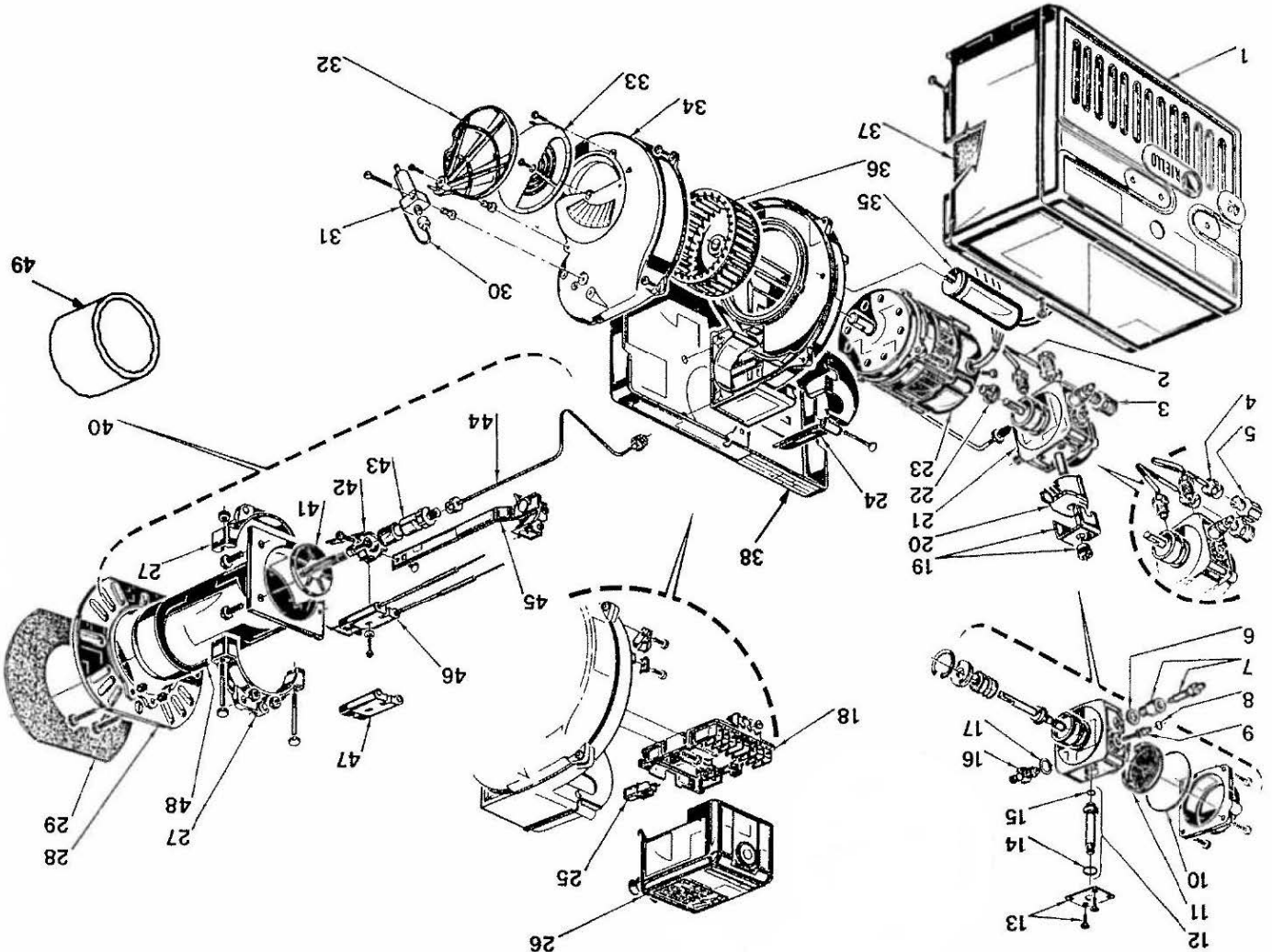
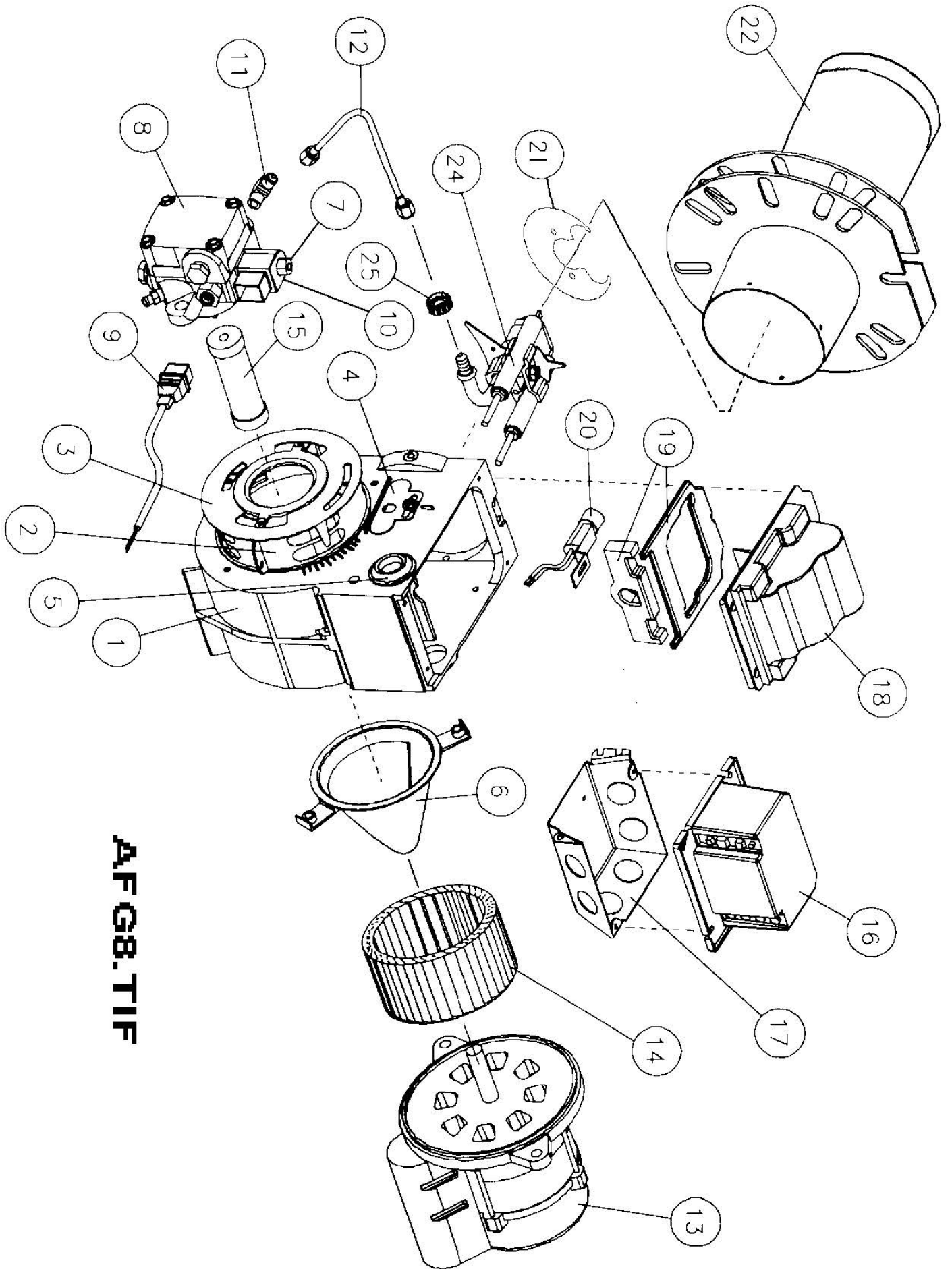


Figure 17-4A - ENSEMBLE EXPLODÉ RIELLO F3 & F5

Figure 17-3B - LISTE DES PIÈCES DU BRÛLEUR BECKETT

LISTE DES PIÈCES DU BRÛLEUR BECKETT						
CIE	BECKETT	NEWMAC	NMA50 2		NMA50 3	LA DESCRIPTION
			NUMÉRO D'CIÉ			
1	5877	D2090024	X	X	X	Assemblage du corps du brûleur
2	3709		X	X		volet d'air
3	3492		X	X		bande d'air
4	3493		X	X		Plaque d'écusson
8	21844U	D2060012	X	X	X	Pump Clean Cut A2EA - 6520
	51843U		X	X		Crépine et joint
10	21755U	D2090065	X	X	X	Bobine de soupape (numéro de pièce Suntec 3713824)
	21877U	D2090072	X	X		Tige de valve
	51573	D2090058				Pompe Suntec avec électrovanne
	51843U					Crépine et joint
	21755U					Bobine de soupape (numéro de pièce Suntec 3713824)
						Tige de soupape (comprend 2 joints toriques) (numéro de pièce Suntec 3773578)
						Kit de réparation d'électrovanne (numéro de pièce 991375 de Suntec)
9	21807		X	X		Cordon de valve
11	2256					Raccord de port de buse de pompe
12	5394					Assemblage du tube de connecteur
13	21805U	D2020012	X	X	X	Moteur d'entraînement PSC, 3450 tr / min
14	2999U	D2090056	X	X		Roue de ventilateur
16	7456U	D2090069	X	X		Relais primaire, Honeywell R7184B
	7457U	D2090067				Relais primaire, Honeywell R7184P
17	5770		X	X		Kit de boîte de jonction
18	51771U	D2090064	X	X	X	Allumeur électronique (14 000 volts)
20	7006U	D2010006	X	X		Cellule Cad C354A1455B Honeywell
21	3384		X	X		Plaque statique 3-3 / 8U
22	5153633BK	D2090039	X	X	X	Tube de sablage à bride soudée AFG (7/8")
	D2110007		X			Cône d'extrémité, F4
	D2110009		X			Cône d'extrémité, F6
	D2090022		X	X	X	Ensemble d'électrode 8"
	31517	D2110015	X	X	X	Bouclier thermique en céramique
		D2110016	X	X	X	Support de bouclier thermique en céramique
	3416	D2080051	X	X		Joint de bride
	51770	D2090061				Contrôles sur le terrain Airboot
	5880	D2090044	X	X	X	Déflecteur à faible cadence de tir
	5941		X	X		Assiète de réglage
24		D2100131	X			Buse Delavan 0,75 X 70°A
		D2100128	X			Buse Delavan 0,85 X 70°A
		D2100132	X	X		Buse Delavan 1,00 X 70°A
		D2100129	X			Buse Delavan 1,25 X 70°A
		D2100133	X			Buse Delavan 1,35 X 70°A
		D2100134	X			Buse Delavan 1,50 X 70°A

Remarque: Egalement approuvé avec SR Burner - Voir instructions générales et étiquette de certification



**AFGB.TIF**

Figure 17-3A - ASSEMBLAGE EXPLODÉ DU BRÛLEUR BECKETT



Figure 17-2B - LISTE DES PIÈCES DU BRÛLEUR À L'HUILE AÉRO Modèle F-AFC

Modèle F-AFC BRÛLEUR À L'HUILE AÉRO		
Clé	LA DESCRIPTION AÉRO	PARTIE #
1	Logement F	2735222100
2	Tube de soufflé 8 po	D2090006
3	Bride de montage - la norme	2735161000
4	Assemblage de la bande d'air	2726200100
5	Moteur 1/6 HP, 1725 tr / min	2735251415
6	Ventilateur, 524-316	2735152016
7	Accouplement flexible en métal	2433804813
8	Pompe à essence A1VA-7112 Suntec	2735171201
9	Transformateur, allumeur 2275-456	2735382730
	Transformateur, noyau de fer 2721- 456	2735382740
9	Transformateur, 421-456	
	Cône de fin	
	AFC-2	2735141200
10	AFC-3	2735141300
	Adaptateur de buse	2735261100
11	Tuyau d'huile en aluminium (spécifier la longueur du tube de sablage)	
12	Porte-électrode	2725131100
13	Electrode (avec des porcelaines)	2725132100
14	Barres omnibus (spécifier la longueur)	
15	Turbo disque statique F-AFC, 3po	7253533000
16	Bourrage écrou hexagonal	9935193401
17	Contre-écrou moleté	
100	Electrode complète assly (11 à 17)	
18	Vis à cône AFC	9935203901
19	Vis de tube de sablage (spécifier la longueur)	9935202202
20	Raceway	2726202250
21	Vis du moteur	9935203202
22	Vis de course	9935203901
23	Vis de verrouillage du transformateur	9935203201
24	Vis de charnière du transformateur	9935203901
25	Plaque coulissante	2726200400
26	Rivet pop plaque coulissante	9935203901
27	Vis de verrouillage de bande d'air	9935203202
	Écrou de blocage de la bande d'air	9935193201
28	Assemblage de conduite d'huile	2726202800
29	Coude de compression, 90 degrés	
30	Vis de pompe à essence	9935203202
*	Joint de montage de brûleur à mazout, 1 / 8po	2735182400

\* PAS MONTRE

Lorsque vous commandez des pièces, indiquez toujours: (1) le modèle, (2) le nom de la pièce, (3) le numéro de pièce, (4) la taille et (5) la quantité requise

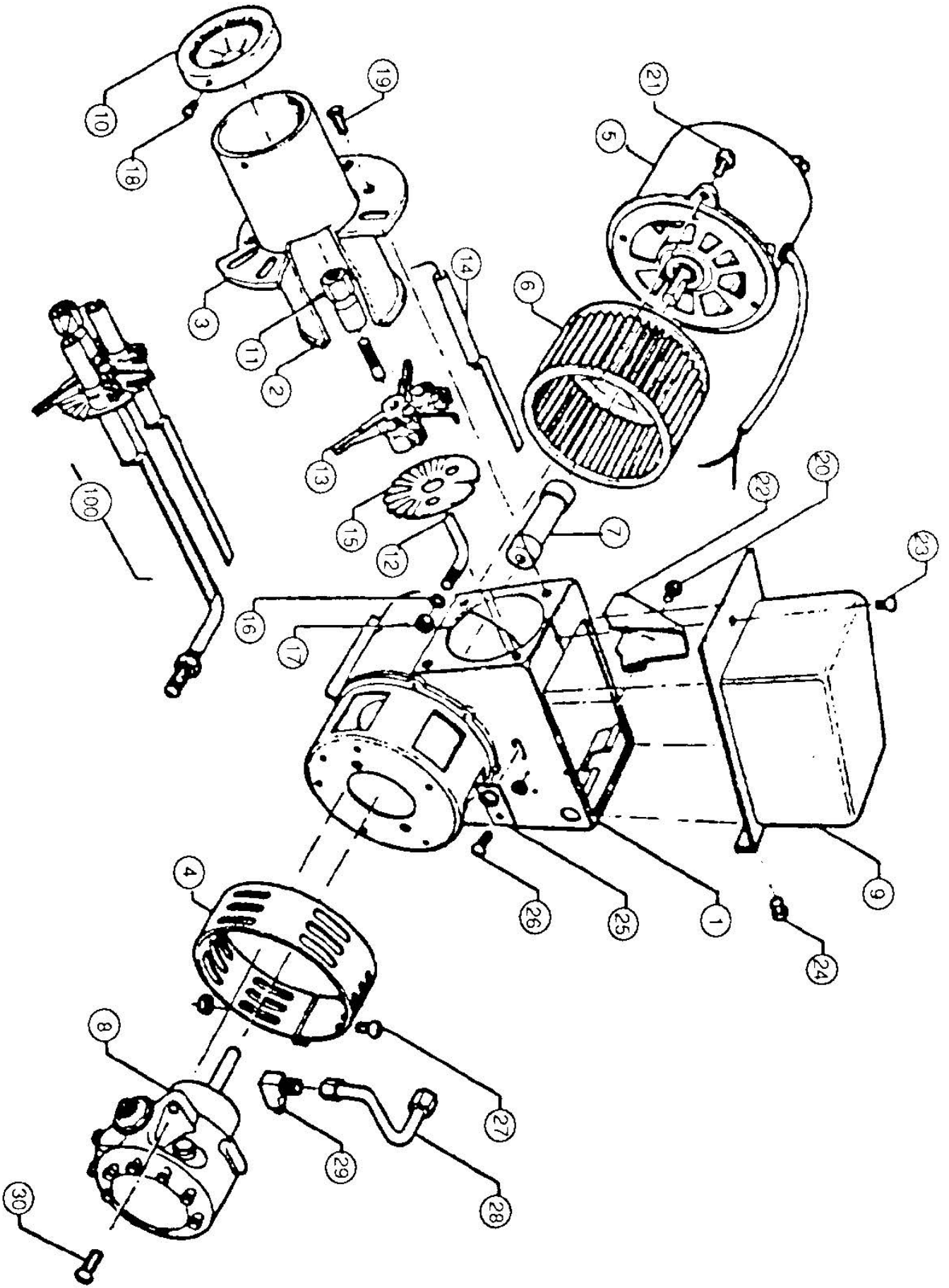
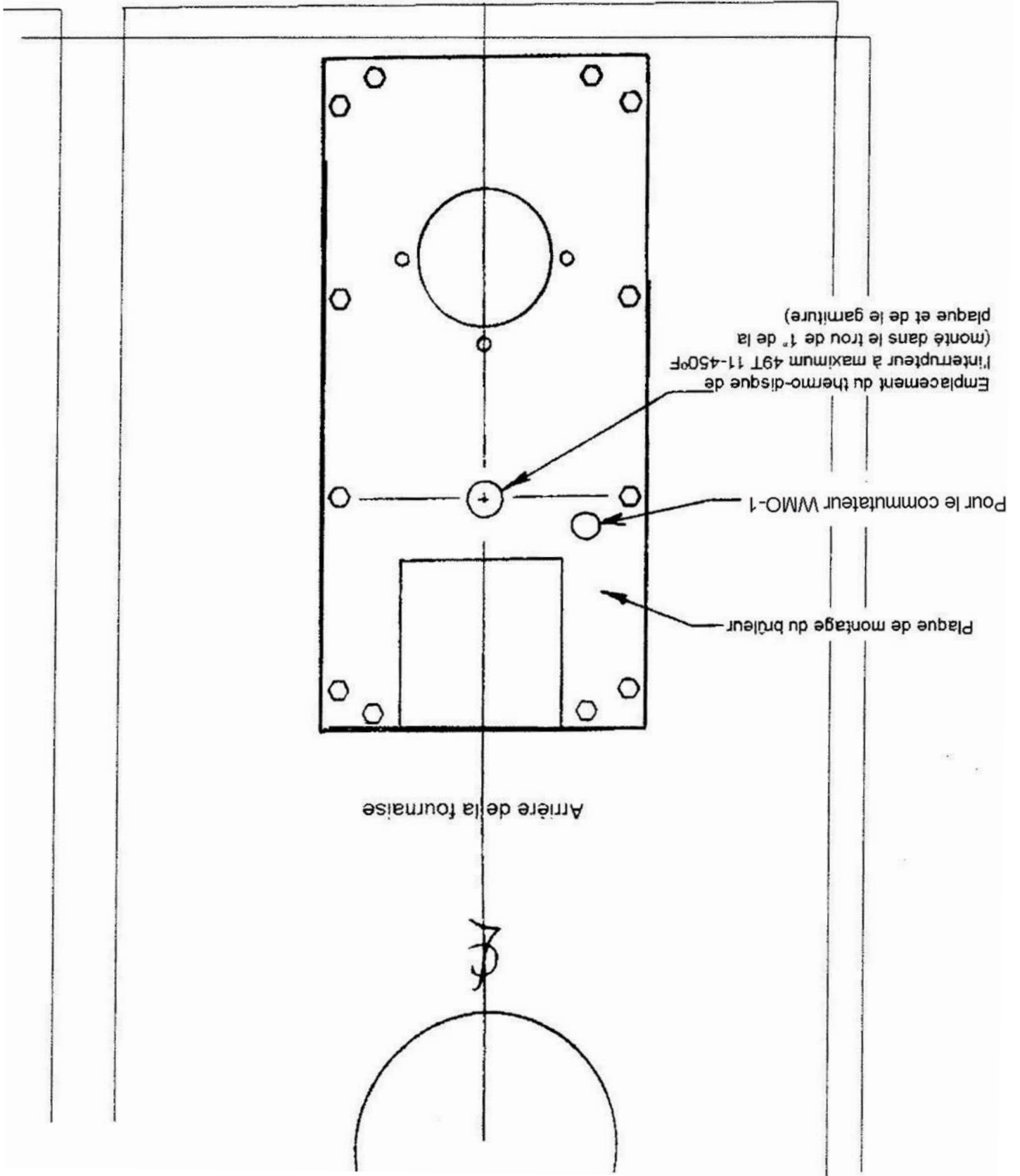


FIG. 17-2A - BRÛLEUR AERO ASSEMBLAGE ÉCLATÉ

FIG. 17-1G - LE DISQUE DE THERMO MONTE SUR LA PLAQUE DE BRÛLEUR



Remarque: L'interrupteur est placé sur la ligne au centre de la plaque du brûleur et aligné tel qu'illustré

Liste des pièces du brûleur AERO PGB 220-370 GAS		
Clé	Nom Et Description De La Pièce	AERO #
1	logement	9035222400
2	airtube (5po - 8po - 1 pi)	
3	bride de montage (standard)	2735161000
4	micro-interrupteur (v3101-d8)	9035061441
5	voile et feuille (lv-26)	2735121091
6	"J" box	2735121091
7	Quincaillerie "J"	2735121091
8	moteur (1/7/3450/60/1)	2735251414
9	ventilateur 524-202 (pgb 220)	2735151200
	ventilateur 524-316 (pgb 370)	2735152016
10	chemin de roulement	2726202550
11	assemblage de bande d'air	2726200100
12	contrôle d'allumage	9035061311
*	faisceau de câblage	9035061321
14	câble haute tension	9035061301
15	centre des fans	9035061210

16	fuse assembly	9026121400
17	manifold assembly - 1/2" pgb	220
	manifold assembly - 3/4" pgb	370
18	electrode assembly (s.s.b.)	9026121300
19	centering bolt	9035202205
20	orifice (input required)	7235515220
21	replaced by gas valves	
22		
23		
24		
	combination gas valve (220)	9035061225
	combination gas valve (370)	9035061227
	comb. propane valve (220/370)	9035061226
*	adjustable flange	2735162000
*	base assembly	2735032000
*	carton - complete	9035401000

\* PAS MONTRE

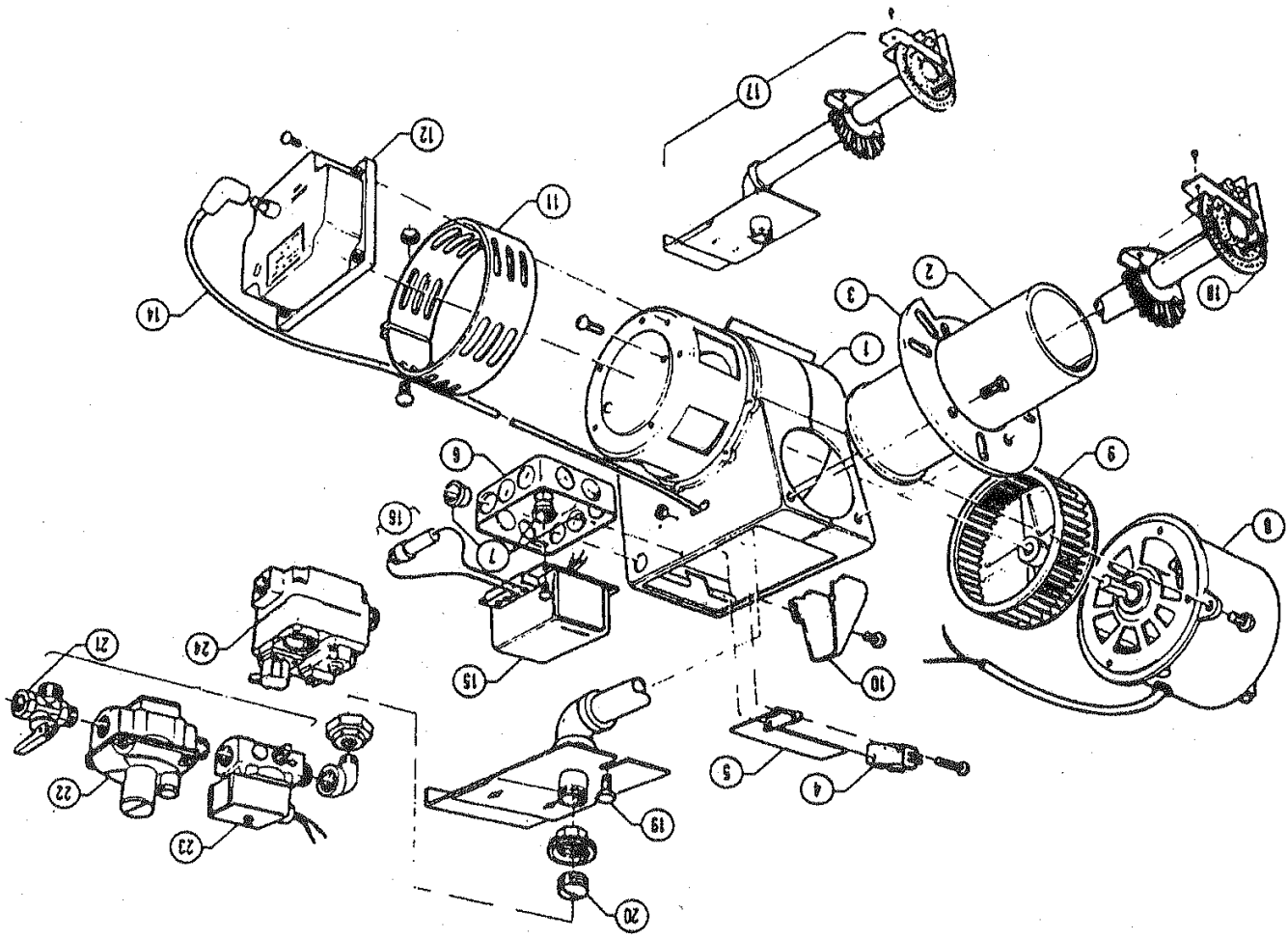
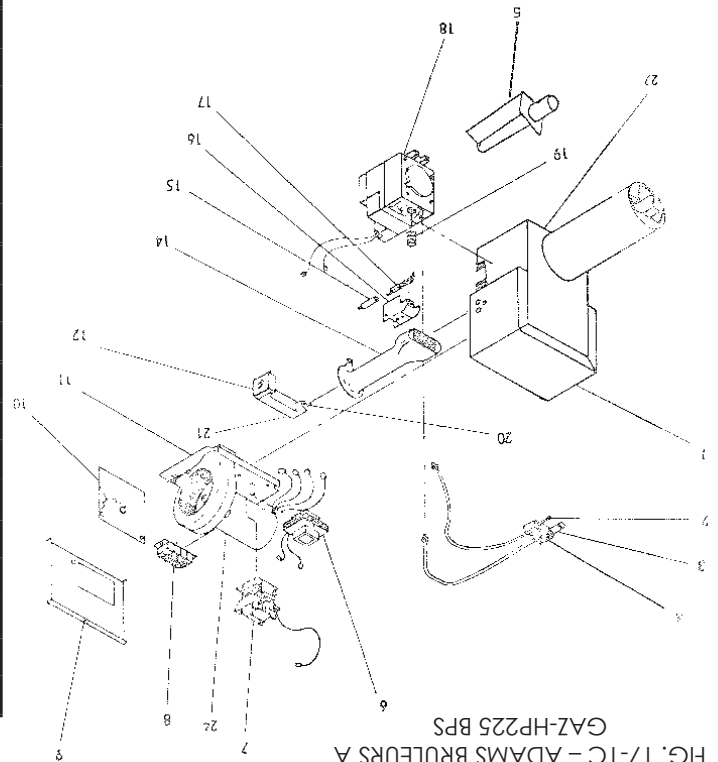


FIG. 17-1E - AERO BRÛLEURS À GAZ-PGB 220-370

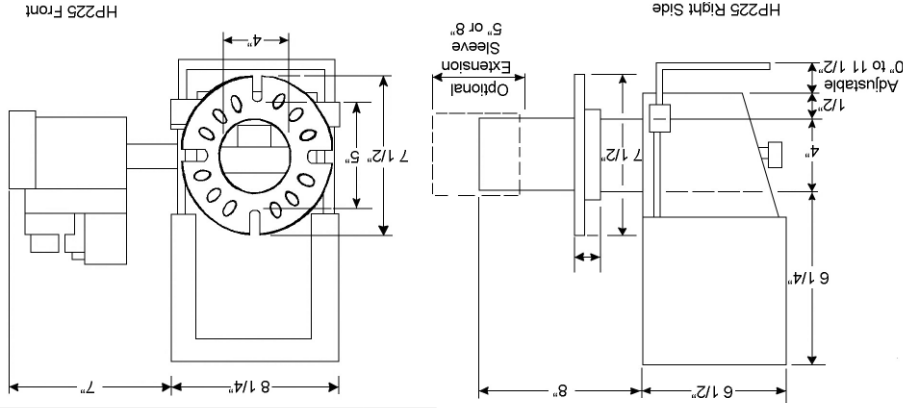
## AMORÇAGE DU BRÛLEUR

1. Placer le robinet de la soupape de combinaison à "OFF" pendant 5 minutes.
2. Placer le robinet du gaz de la soupape combinée à "ON".
3. Passer à l'électricité.
4. Régler le thermostat de la pièce à une température plus élevée que la température ambiante.
5. Le brûleur s'allumera.
6. Régler le thermostat de la pièce à la température désirée.

FIG. 17-1C - ADAMS BRÛLEURS À GAZ-HP225 BPS LISTE DES PIÈCES



Clé	LA DESCRIPTION	HP-225 BPS
1	Boîtier supérieur	7582-GN
2	Thermocouple	-----
3	Sonde du détecteur	12003
4	Orifice de la veilleuse (Nat.)	5221 (.021)
4	Orifice de la veilleuse (Prop.)	3215 (.015)
5	Système d'allumage	EPI-100 or EPI
6	Transformateur (20 V.A.)	AT 20 A
7	Relais	R 8222 A 1002
8	Bloc de bornes	7586-3
9	Porte d'aération	7582 A
10	Porte d'accès inférieur	7587 B
11	Plaqueau coulissant	7586 D
12	Collecteur	7015 D-6
13	Socle (non illustré)	7584
14	Brûleur moulé	7583-1
15	Gaine isolante	846
16	Pare-veilleuse	12005
17	Electrode (3po)	7583-5A
18	Soupape combinée (Nat.)	SX 242 NS
18	Soupape combinée (Prop.)	SX 242 LS
19	Manchon de tuyau	50001-6-3-1/2
20	Orifice principal (indiquer dimensions)	172
21	Ass. De réglage de l'orifice	6481
22	Ass. Du boîtier inférieur	7581 B
23	Bride de montage (facultative)	7585
24	Ass. Moteurésoufflante	7586-2A
25	Module APR (facultatif)	-----
26	Manchon de rallonge (non illustré)	7581-1A-BL
27	Fil d'allumage (30po)	7803
28	Fil du détecteur (30po)	7852-2



N° du modèle	Capacité	BTU/h	Alimentation	Gicleur	N° du modèle	Office (gaz)	N° du modèle	Alimentation	Office (gaz)	N° du modèle	Office (gaz)
CL 86C-86G	86,000	F-AFC-2-8	0.75 (80°)R	105,000	PG-B-220	#23	105,000	HP 225B-PS	#33	ADJ	
CL 96C-96G	96,000	F-AFC-2-8	0.85 (80°)R	119,000	PG-B-220	#20	120,000	HP 225B-PS	1/8 po	ADJ	
CL 115C-115G	111,000	F-AFC-3-8	1.00 (80°)R	140,000	PG-B-220	#15	145,000	HP 225B-PS	#29	ADJ	
CL 140C-140G	140,000	F-AFC-3-8	1.25 (80°)R	175,000	PG-B-220	#7	170,000	HP 225B-PS	#25	ADJ	
CL 155C-155G	152,000	F-AFC-3-8	1.35 (80°)R	189,000	PG-B-220	#5	185,000	HP 225B-PS	#24	ADJ	
CL 170C-170G	169,000	F-AFC-3-8	1.50 (80°)R	210,000	PG-B-220	#2	200,000	HP 225B-PS	5/32 po	ADJ	

\* Le brûleur au gaz Aero modèle PG-B-220 doit fonctionner avec une pression de 3" (colonne d'eau) pour le gaz naturel et de 3.5" pour le gaz propane.

\*\* Le brûleur au gaz Adams modèle HP 225B-PS doit fonctionner avec une pression de 3.5" (colonne d'eau) pour le gaz naturel et de 1" pour le gaz propane. Les brûleurs au propane liquide portent les lettres LP (ex., HP225B-LP-PS)

\*\*\* Au Canada, les fournisseurs Newmac ne sont pas approuvés avec les brûleurs installés. Vérifier les normes auprès des autorités locales avant d'installer un brûleur automatique au gaz et obtenir leur approbation.

# INSTALLATION DU BRÛLEUR AU GAZ

## TUYAUTÉRIE

La tuyauterie doit être conforme aux codes et aux normes de la région. Se référer au manuel du brûleur au gaz.

## MONTAGE DU BRÛLEUR

Installer le brûleur sur la plaque de montage du brûleur en plaçant le tube de soufflage affleuré à la paroi extérieure de la chambre de combustion. Joindre le conduit de gaz au brûleur à l'aide d'un raccord.

## CÂBLAGE DU BRÛLEUR

Raccorder les câbles selon le Fig. 17-1A pour le brûleur Adams et selon le Fig. 17-1B pour le brûleur Aero.

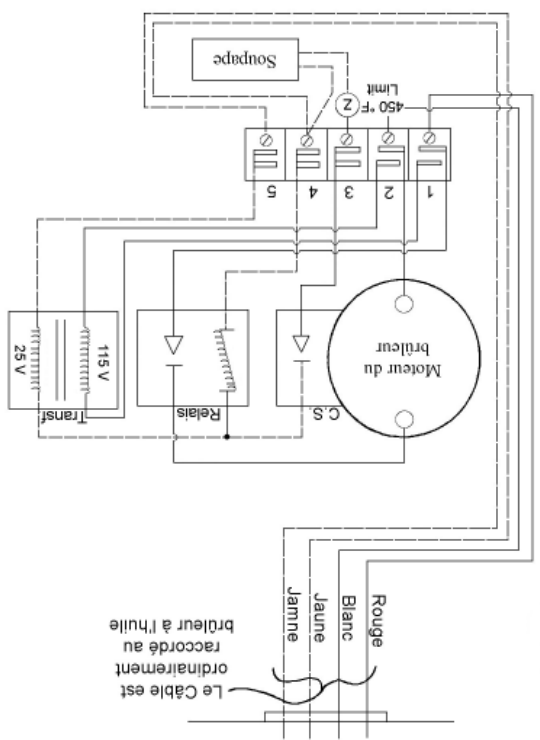


FIG. 17-1A  
DIAGRAMME DE CÂBLAGE  
DU BRÛLEUR AU GAZ ADAMS

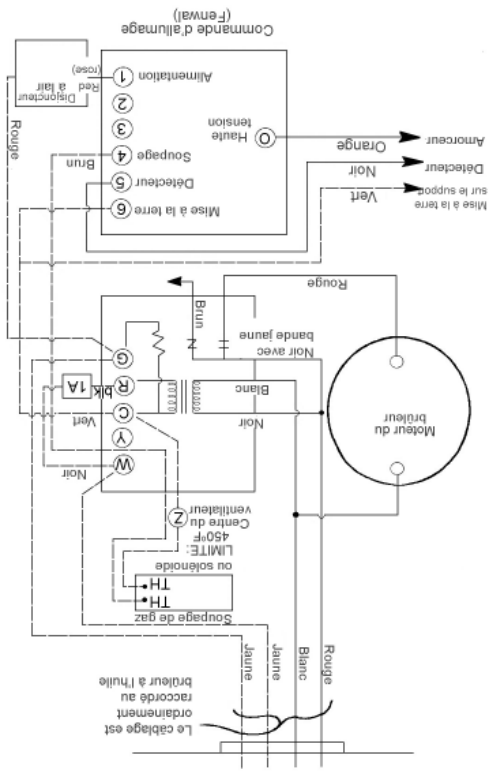


FIG. 17-1B  
DIAGRAMME DE CÂBLAGE  
DU BRÛLEUR AU GAZ AERO

E	7-7/8 po	7-1/2 po
Z	1-3/8 po	-
C	1/16 po	5/64 po to 7/64 po
B	7/16 po	13/64 po
A	1/8 po	5/32 po
	AERO & BECKETT	RIELLO

FIG. 16D RAPPORTS DE DIMENSIONS (FIG. 16A-16C)

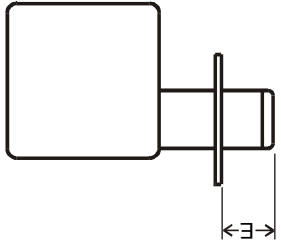


FIG. 16C INSERTION DU BRÛLEUR

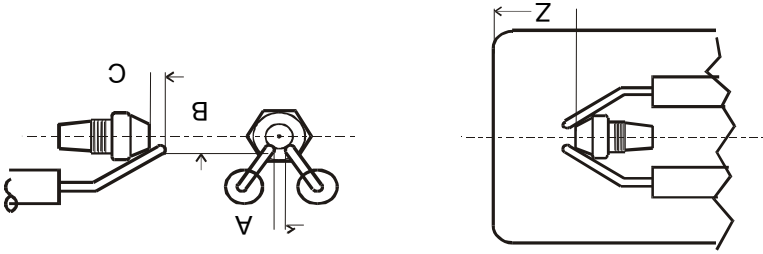


FIG. 16B - RÉGLAGE DES ÉLECTRODES - RIELLO

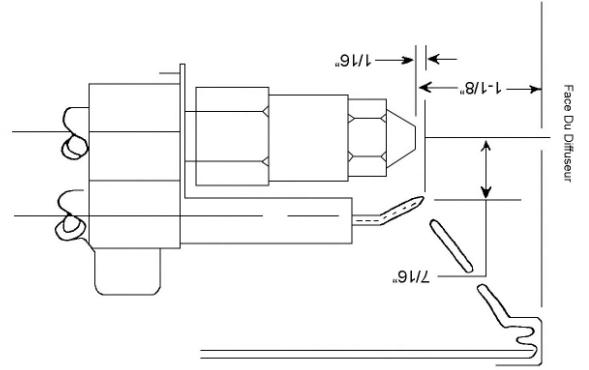
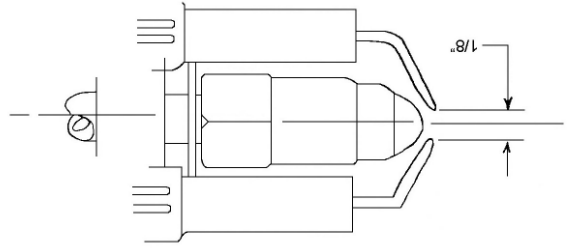


FIG. 16A - RÉGLAGE DES ÉLECTRODES - AERO et BECKETT

Circulation De L'Air  
De Combustion  
Modèles WB et CL "C"

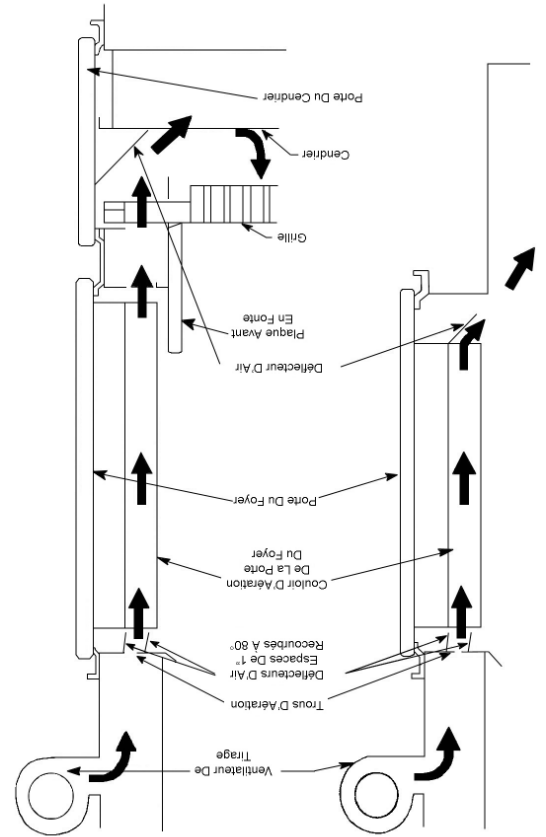


FIG. 14 - CIRCULATION DE L'AIR

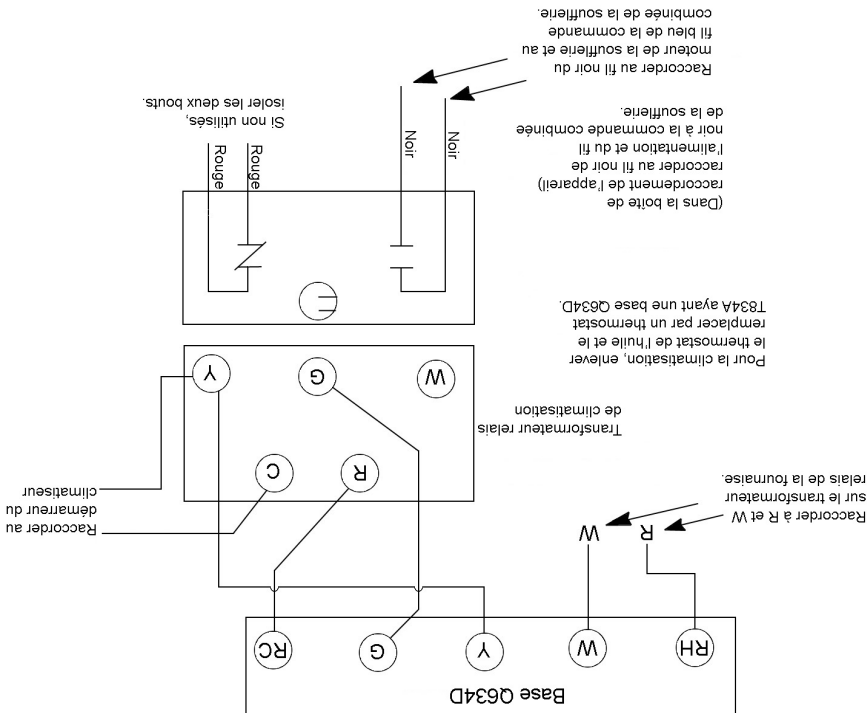
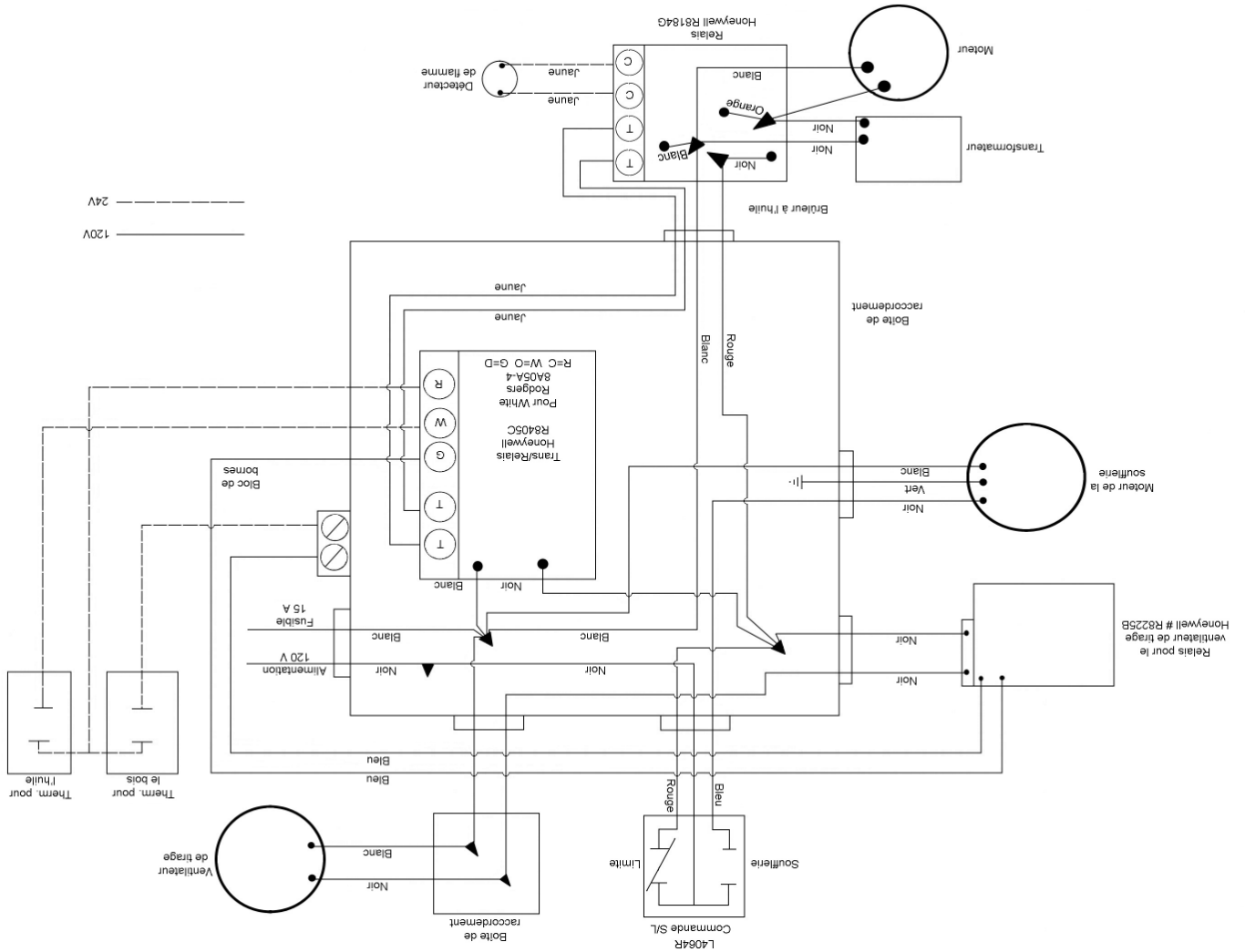


FIG. 15 - INSTALLATION DE LA CLIMATISATION

FIG. 13 - CÂBLAGE DE LA SÉRIE CL



\* Pour le Relais White Rogers #851-301 connecteur les fils



Le relais de transformateur de centre de ventilateur de 8405A de Honeywell : numéro de partie 2010015.  
 Le relais de transformateur de centre de ventilateur de 8285A de Honeywell : numéro de partie 2010041.  
 Le relais de transformateur de centre de ventilateur de 8239B de Honeywell : numéro de partie 2010059.  
 L'unité doit être conformément installée au Chauffage d'Air et l'Air Chauds Nationaux Conditionnant les Normes d'Association  
 ou généralement admises équivalentes les normes. La consultation s'approprie provincial, déclarer, ou les codes locaux. Les  
 régléments gouvernant les conditions d'installation peuvent varier de l'une présentée ici.

FIG. 11 - L'INSTALLATION TYPIQUE DE BOBINE DE COMPTE

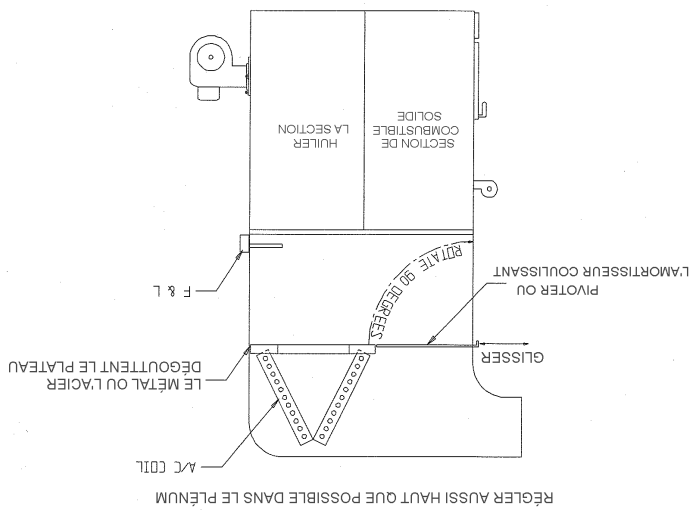
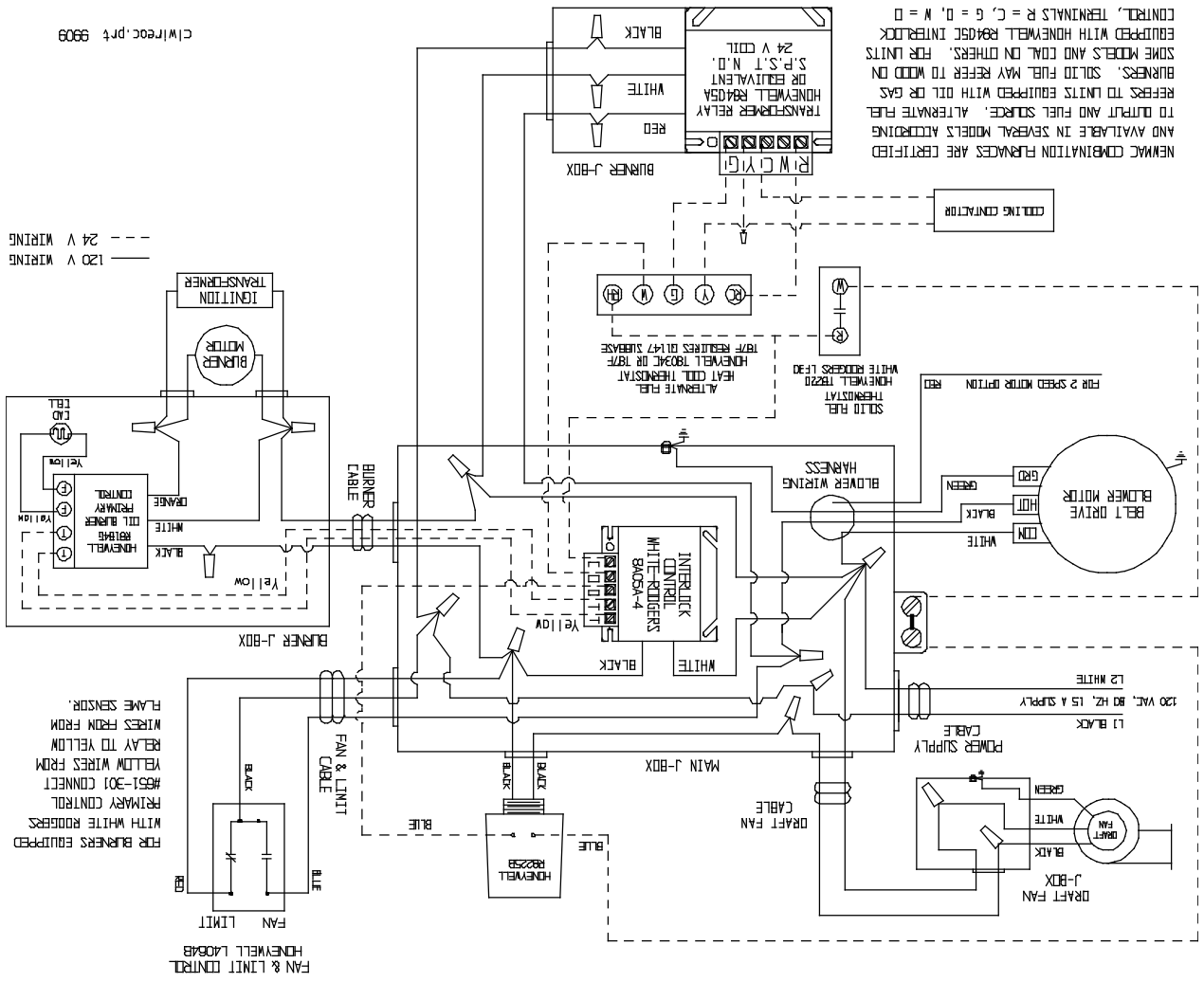


FIG. 12 - LE DIAGRAMME D'INSTALLATION ÉLECTRIQUE AVEC LE CONDITIONNEMENT D'AIR

## NEWMAC CL SERIES WIRING DIAGRAM WITH AIR CONDITIONING



3. Ne pas charger le foyer plus qu'à la moitié du revêtement.

## FEU DE SUIE

Fermer toutes les sources d'air pouvant alimenter le feu. Fermer le ventilateur de tirage au-dessus de la porte du foyer. Ne pas enlever le tuyau à fumée avant que le feu ne soit bien éteint.

## FEU TROP VIOLENT

Ceci peut être causé par une tire excessive ou une trop grande alimentation en combustible.

1. Fermer toutes les sources d'air. Fermer le ventilateur de tirage.

2. Régler au maximum le régulateur de tirage barométrique pour réduire la tire. La chaleur excessive d'un feu trop violent peut endommager les commandes de sécurité de la fournaise. Leur fonctionnement doit être vérifié avant la remise en marche de la fournaise.

Après un feu de suie ou un feu violent, vérifier la cheminée et les raccords des tuyaux de la cheminée.

## LA CONVERSION DE CL115/170 C & G À 5 COMPTE DE TONNES

3/4 Moteur de HP A Recommandé

7" X ¾ la Poule de Soufflerie A Recommandé (la Norme est la 8").

41" Ceinture de Soufflerie a exigé pour 7" poule

Voir le diagramme d'installation électrique de compte avec Honeywell 8405A Relais (ou l'équivalent).

Installer un Sauter l'amortisseur ou l'explosion comme par le croquis « l'Installation de Bobine de COMPTE Typique ».

Pour CL115, 140, 150, 170, un conduit minimum de provision libère le secteur de 220, 240, 260 place. dans., doit être maintenu du tout respectivement des temps pendant le chauffage du cycle.

Pour CL115, 140, 150, 170, un conduit minimum de retour libère le secteur de 250, 280, 300, la place. dans., doit être maintenu du tout respectivement des temps pendant le chauffage du cycle.

Pour CL115, 140, 150, 170, la place. dans., doit être maintenu du tout respectivement des temps pendant le chauffage du cycle.

Assurer que les tailles de conduit sont comme spécifiée dans l'installation, Fonctionnant et le Manuel d'entretien

Emerson 3/4" h.p. le moteur seul d'unité de ceinture de vitesse : numéro de partie 2020020

3-1/2 X 5/8 po CONTRE la poule moteur : numéro de partie 2240008

La poule de soufflerie, 7 po X 3/4 po : numéro de partie 2240002

41 po Ceinture de Soufflerie : numéro de partie 2240041

Le relais de transformateur de centre de ventilateur de 8405A de Honeywell : numéro de partie 2010015.

Le relais de transformateur de centre de ventilateur de 8285A de Honeywell : numéro de partie 2010041.

Le relais de transformateur de centre de ventilateur de 8239B de Honeywell : numéro de partie 2010059.

L'unité doit être conformément installée au Chauffage d'Air et l'Air Chauds Nationaux Conditionnant les Normes d'Association ou généralement admises équivalentes les normes. La consultation s'approprie provincial, déclarer, ou les codes locaux. Les règlements gouvernant les conditions d'installation peuvent varier de l'une présentée ici.

## LA CONVERSION DE CL86/96 C & G À 4 COMPTE DE TONNES

1/2 Moteur de HP A Recommandé

Utiliser la poule moteur existante

7 po X 3/4 la Poule de Soufflerie A Recommandé (la Norme est la 8 po).

39 po Ceinture de Soufflerie a exigé pour 7 po poule

Voir le diagramme d'installation électrique de compte avec Honeywell 8405A Relais (ou l'équivalent).

Installer un Sauter l'amortisseur ou l'explosion comme par le croquis « l'Installation de Bobine de COMPTE Typique ».

Pour CL86/96 un conduit minimum de provision libère le secteur de 180 place. dans., doit être maintenu du tout respectivement des temps pendant le chauffage du cycle.

Pour CL86/96 un conduit minimum de retour libère le secteur de 250 la place. dans., doit être maintenu du tout respectivement des temps pendant le chauffage du cycle.

Le compte embobine installé au-dessus de l'échangeur de chaleur devrait être localisé par-dessus sectionnduring de pétrole chauffant le cycle.

Les bobines de compte ont installé au-dessus de l'échangeur de chaleur devrait être aussi localisé haut que possible et non moins que 12 pouces au-dessus du sommet du échangeur de chaleur.

Les bobines de compte ne doivent pas être localisées sur le côté d'air de retour.

Assurer le condensat de la bobine pas goutte sur les surfaces de échangeur de chaleur

Les plateaux de goutte de condensat doivent être en métal

Assurer que les tailles de conduit sont comme spécifiée dans l'installation, Fonctionnant et le Manuel d'entretien

Emerson 1/2" h.p. le moteur seul d'unité de ceinture de vitesse : numéro de partie 2020003

La poule de soufflerie, 7 po X 3/4 po : numéro de partie 2240002

39 po Ceinture de Soufflerie : numéro de partie 2240039

## **À TOUTS LES MOIS**

Echangeur de chaleur et tuyau de fumée - si la fournaise n'est pas munie de grilles, il faut retirer les cendres une fois par mois ou plus souvent, selon le degré de leur accumulation. Il faut examiner à fond l'échangeur de chaleur et le tuyau de fumée afin d'y découvrir toute accumulation de crésote, de cendres etc., qu'il faut alors enlever à l'aide d'un grattoir ou d'une brosse. On peut compléter ce travail en utilisant un aspirateur industriel. A la fin de chaque saison de chauffage, il faut sans tarder faire un nettoyage complet, sans quoi la condensation causée par la chaleur au cours de l'été, ou par toute autre cause, se mêlera à la cendre et à la crésote pour corroder l'échangeur de chaleur. Les dommages causés par la corrosion ne sont pas couverts par la garantie.

**REMARQUE:** Etablir un programme pour l'entreposage du combustible, l'entretien de l'appareil et les techniques de chauffage. Vérifier chaque jour l'accumulation de la crésote pour déterminer la fréquence du nettoyage nécessaire. Il faut se rappeler que plus le degré de chauffage est élevé, moins la crésote s'accumule; il faudra donc peut-être faire le nettoyage chaque semaine, par temps doux, alors qu'il suffira peut-être de le faire un fois par mois par temps très froid. Préparer un plan bien défini pour éteindre un feu de cheminée.

## **CHEMINÉE**

On recommande de ne pas employer de produits chimiques pour nettoyer la cheminée car ils peuvent endommager l'échangeur de chaleur et le tuyau. L'une des façons les plus efficaces de nettoyer la cheminée est de glisser du haut de la cheminée une brosse à poils rigides, à laquelle on a attaché un poids assez lourd, à l'aide d'une corde. Glisser la brosse de bas en haut afin de gratter la suie et la crésote accumulée sur les parois intérieures de la cheminée. Enlever les résidus par la porte de nettoyage aménagée à la base de la cheminée.

## **DEUX FOIS PAR ANNÉE**

Ventilateur de tirage - lubrifier le moteur avec de l'huile #20 sans détergent.

## **UNE FOIS PAR ANNÉE**

Brûleur et soufflère - lubrifier les moteurs avec de l'huile #20 sans détergent. Au printemps, pour préparer la fournaise pour l'été, nettoyer l'échangeur pour retirer toute trace de suie, de cendres ou de crésote. Enlever les cendres et nettoyer à fond le tuyau et la cheminée.

# AVIS

## **IMPORTANT**

- La fournaise doit être installée conformément à la norme B365 de l'ANCOR: «Installation Code for Solid Fuel Burning Appliances and Equipment»
- Cette fournaise est destinée à brûler du bois seulement à moins qu'elle ne soit munie de grilles permettant de brûler du charbon. Utiliser de l'anthracite seulement.
- Un tirage approprié doit être maintenu pour permettre le libre échappement des gaz de combustion par la cheminée.

## **POUR UN FONCTIONNEMENT SÉCURITAIRE**

- Charger le combustible solide tranquillement pour éviter tout dommage.
- Ne pas charger le combustible solide plus haut que le revêtement du foyer (les briques à feu).
- Nepas utiliser de produits chimiques ou de liquides d'allumage.
- Ne pas allumer le feu lorsqu'il y a des vapeurs d'huile présentes.
- Tirage minimum -0.03 po colonne d'eau.
- Tirage maximum -0.05 po colonne d'eau.
- Ne pas brûler de déchets, de bûches artificielles, d'essence, de naphte ou d'huile usagée à moteur.
- Garder les portes de la fournaise fermées complètement sauf pour le ravitailllement ou le nettoyage.
- Pour maintenir la fournaise en bonne condition et prévenir les incendies de suie, nettoyer les conduits de l'échangeur de chaleur et de la cheminée après chaque saison de chauffage et aussi souvent que nécessaire durant la saison de chauffage afin de prévenir l'accumulation de suie. La fournaise et les conduits des gaz doivent toujours être en bon état. Fermer le courant lors du nettoyage de la fournaise et des conduits.
- Ne pas entreposer le combustible ou tout autre produit inflammable près de la fournaise.
- Ne pas utiliser de bois flottant contenant du sel (Driftwood) ramassé sur le bord de la mer.

## **PRÉVENTION DES DOMMAGES**

- Ne pas régler le tirage de la cheminée à plus de - .05» colonne d'eau.
- Ne pas ouvrir la glissière de la porte de la fournaise durant le fonctionnement normal.
- Les cendres doivent être retirées à tous les jours, pour les fournaises avec grilles.
- Les fournaises sans grille doivent avoir un minimum de 2» de sable ou de cendre de bois au fond du foyer.

## **ÉTAPES SPÉCIALES PANNE D'ÉLECTRICITÉ**

1. Retirer la porte d'accès de la soufflère et les filtres d'air pour améliorer la circulation d'air. Si la fournaise est située dans une chambre à fournaise fermée, ouvrir la porte de la chambre.
2. Pour contrôler le feu, ouvrir la glissière dans la porte de la fournaise. CETTE GLISSIÈRE DOIT ÊTRE FERMÉE EN MODE DE FONCTIONNEMENT NORMAL.

## AMORÇAGE DU FEU

Le tirage doit être de - 0,05 po afin de permettre aux gaz de combustion de s'échapper librement de la cheminée. Régler le thermostat à une température bien au-dessus de celle de la pièce, afin de faire démarrer le ventilateur de tirage. Amorcer le feu à l'aide de papier et de petit bois bien sec.

Ajouter de petites pièces de bois dur lorsque le petit bois brûle bien. Laisser bien ouverte la plaque de tirage située sur la porte du cendrier, afin que le feu prenne bien. On peut ouvrir la porte du cendrier pour l'amorçage. Toutefois, il faut la refermer avant d'ouvrir la porte du foyer, afin d'éviter que la fumée ne s'échappe par l'ouverture de la porte du foyer.

Après avoir formé un lit épais de braises ardentes, ajouter du charbon en petites quantités à la fois, afin de former une couche massive de charbons ardents. Ne pas ajouter trop de charbon à la fois et laisser le temps à chaque chargement de bien prendre (environ 10 à 15 minutes) avant d'ajouter d'autre charbon. Afin d'obtenir la combustion la plus efficace, remplir la cheminée le plus possible. Un lit de charbon bien épais brûle beaucoup mieux qu'un lit mince.

Laisser le ventilateur de tirage fonctionner jusqu'à ce que l'on soit certain que le feu continue à bien brûler, puis baisser le thermostat à la température désirée. Si la porte du cendrier a été ouverte, la fermer afin d'éviter le surchauffage qui pourrait grandement endommager la cheminée.

## LE CHARGEMENT

On doit ajouter du charbon au moins à toutes les douze heures et ce, uniquement sur un feu suffisamment vif. Si le feu est vif et que le lit de charbon est profond, on peut ajouter une pleine charge de charbon à n'importe quel moment. Sinon, il vaut mieux ajouter d'abord une faible quantité de charbon.

## LE SECOURAGE

On doit secouer le charbon uniquement lorsque le feu est vif et ce, au moins une fois par jour, mais pas plus de deux fois par jour. On obtient les meilleurs résultats en donnant des petits coups secs plutôt que de longs coups uniformes.

Il est important de bien secouer le combustible, si on le secoue trop ou pas suffisamment, le feu peut s'éteindre car il se peut que l'air ne circule pas suffisamment. Le secourage est normalement suffisant lorsque le charbon ardent commence à tomber dans le lit de cendres. S'assurer de laisser un peu de cendres sur la grille, afin de la protéger de la chaleur directe qui provient du charbon ardent. Il faut toujours que les grilles soient de niveau pour éviter leur déformation.

## L'ENTRETIEN

Ne jamais laisser les cendres s'accumuler dans le cendrier afin d'éviter qu'elles empêchent l'air de bien circuler. Un surplus de cendres accumulées peut éteindre le feu et peut fortement endommager la grille car elle manquera alors d'air pour se refroidir suffisamment. On DOIT enlever les cendres à chaque jour et les jeter dans un contenant de métal muni d'un couvercle.

Il peut se former du mâchefer dans n'importe quelle fournaise au charbon. Le mâchefer est fait de petits morceaux de cendres fusionnées et durcies. Ces morceaux peuvent devenir trop gros pour passer à travers la grille. S'il y en a trop, le feu peut s'éteindre parce que l'air ne pourra passer entre les scories. Pour retirer le mâchefer, il faut attendre que le feu s'éteigne, car on ne peut le faire que par le dessus de la grille.

La formation du mâchefer peut être causée par divers facteurs différents ou par une combinaison de facteurs:

- Le feu est trop ardent (trop d'air)
- Le lit de charbon est trop mince
- Le lit de charbon est trop épais
- Le charbon a été trop secoué
- Le charbon a été tisonné par le dessus
- Le charbon n'est pas de bonne qualité et forme trop de cendres
- Le feu a été vif trop longtemps et manque d'air

## LA SÛRETÉ

Pour ouvrir la porte d'alimentation, il faut d'abord l'entrouvrir avant de l'ouvrir pleine grandeur, afin de laisser entrer l'oxygène et de brûler les gaz de combustion. En ouvrant la porte trop rapidement, on risque de faire s'enflammer soudainement le gaz accumulé.

Ne jamais surcharger une fournaise, afin de ne pas bloquer la sortie des gaz. En brûlant, le charbon crée de l'oxyde de carbone. Si la sortie des gaz, est bloquée, l'oxyde de carbone peut s'échapper de la fournaise et se propager dans la pièce qui peut avoir des conséquences fatales. Ne jamais brûler de charbon dans une fournaise qui ne soit pas munie d'un conduit de cheminée parfaitement étanche. Ce dernier doit absolument fournir un tirage fiable et puissant. À l'exception de la période d'amorçage, ne JAMAIS laisser la porte du cendrier ouverte.

Ne pas utiliser un chargeur automatique avec cette fournaise.

# ENTRETIEN

Le non-respect de ces directives pourrait réduire l'efficacité du chauffage, causer la corrosion excessive de l'échangeur de chaleur et provoquer un incendie de créosote.

## À CHAQUE JOUR

Modèles de fournaise avec grilles - retirer les cendres à chaque jour pour éviter la déformation des grilles et maintenir la bonne circulation de l'air de combustion. Il faut déposer les cendres dans un contenant en métal muni d'un couvercle avant de les placer à l'extérieur.

## DÉPANNAGE

Si le brûleur refuse de fonctionner à la demande du thermostat ou d'une autre commande, vérifier l'interrupteur principal et les fusibles. Vérifier la réserve d'huile et le courant électrique. Presser le bouton sur la boîte de commande du brûleur et, si le brûleur refuse encore de fonctionner, appeler le technicien. Une inspection périodique du brûleur est recommandée.

## MODE DE CHAUFFAGE AU BOIS

L'installation terminée, fermer l'interrupteur d'alimentation et régler le thermostat au-dessus de la température ambiante. Vérifier si le ventilateur de tirage au-dessus du foyer fonctionne. Le ventilateur de tirage doit s'arrêter lorsque le thermostat est réglé plus bas que la température ambiante. (L'interrupteur du ventilateur doit être sur "ON"). Le tirage maximum ne doit pas excéder -0,5 pour éviter les dommages à la fournaise lors de son fonctionnement par gravité. La vitesse de la soufflerie de circulation a été ajustée à l'usine pour une hausse adéquate des températures dans la plupart des conditions. Cependant, à cause des variations de température résultant du chauffage au bois, la vitesse de la soufflerie peut être ajustée à la poêle du moteur. Toutefois, la hausse de température ne doit jamais excéder 80° F (27° C).

## FONCTIONNEMENT ET ENTRETIEN

Pour allumer le feu, monter le thermostat du foyer au réglage maximum afin de mettre le ventilateur de tirage forcé en marche. Placer une poêle de papier journal froissée au fond de la chambre de combustion, par-dessus au moins 2 po de sable, de cendres ou de brique réfractaire, selon l'exigence minimale. Ajouter du bois d'allumage et allumer le feu. Lorsque le feu est pris, ajouter de gros morceaux de bois d'allumage ou des bûches afin d'obtenir un bon feu. Le but ultime est d'obtenir une couche de cendres et de charbons ardents, ce qui permet de maintenir un bon feu, facile à contrôler.

Lors du réchauffement de la chambre de combustion, râteler les charbons ardents vers l'avant afin de placer les charbons à l'avant de la chambre de combustion. Ajouter du bois de foyer, il s'allumera en quelques minutes. Lorsque la chambre de combustion est pleine de cendres (c'est-à-dire à moins d'un pouce du niveau de la porte), le matin, avant de charger la chambre de combustion, pousser ou râteler les charbons ardents vers l'arrière de la chambre de combustion. Enlever soigneusement les centres de l'avant de la chambre de combustion en utilisant la pelle fournie à cette fin. Puis, râteler les charbons ardents vers l'avant. Ajouter du bois de foyer et il s'allumera à nouveau en quelques minutes. Le feu brûle mieux lorsque les cendres sont à 3 ou 4 po sous le niveau de la porte. Régler le thermostat du foyer dans la pièce de séjour principal au niveau normal. Consulter l'étiquette "AVIS" sur la fournaise pour s'assurer que les étapes de mise en marche sont sécuritaires.

## RÉGALAGE DE L'AIR DE COMBUSTION

La quantité d'air de combustion qui peut entrer dans le foyer peut être réglée par la glissière à la position qui laisse pénétrer suffisamment d'air pour le type de combustible solide utilisé. Normalement, on règle la glissière au maximum, puis on modifie le réglage au besoin. Pour le bois, tout dépend du type et de la grosseur du bois.

## PANNE D'ÉLECTRICITÉ

En cas de panne d'électricité prolongée, retirer le panneau sous le sortie de fumée. Le ventilateur de tirage ne fonctionnera pas, ouvrir la glissière dans le foyer s'il est nécessaire d'augmenter la quantité d'air de combustion. Réformer la glissière dès la restauration du courant. NE PAS CHARGER le foyer plus qu'à la moitié du revêtement pour éviter le sur-chauffage.

## TRUCS POUR LE CHAUFFAGE AU CHARBON

Brûler UNIQUEMENT de l'antracite de la grosseur d'une noisette. On ne recommande pas d'utiliser de la houille tendre ou grasses parce qu'elle contient trop de cendres et de soufre, ce qui augmente le nettoyage et la pollution. De plus, la houille tendre provoque une quantité excessive de fumée, de saleté et de cendres, ce qui risque de bloquer la fournaise, d'endommager le tuyau de fumée ou de causer de l'empoisonnement par le l'oxyde de carbone. Le charbon ne brûle pas aussi facilement que le bois, il faut s'armer de patience et suivre un procédé bien particulier pour alimenter la fournaise, secouer le combustible, régler l'appareil, etc. En ne respectant pas le procédé rigoureusement, on risque que le feu s'éteigne. Ceci peut se produire très rapidement et une fois que le feu a commencé à s'éteindre, il est à peu près impossible de la raviver. Lorsqu'un feu de charbon s'éteint, on doit vider entièrement la fournaise et reprendre le procédé entier. L'étude du procédé de chauffage au charbon est longue et frustrante mais, une fois le procédé approprié établi et respecté, le chauffage au charbon devient un procédé fort simple. Ce mode de chauffage offre les avantages d'une combustion de longue durée et dégage une chaleur uniforme tout au long de la combustion.

Une soupape d'arrêt d'huile doit être installée selon les règlements locaux. Fermer cette soupape si le brûleur est inutilisé durant une longue période de temps.

### ARRÊT DE SÉCURITÉ

Durant les mois d'été, placer l'interrupteur principal à la position OFF. Si la chambre à fournaise est humide, protéger le brûleur avec une couverture légère.

### ARRÊT POUR L'ÉTÉ

Le brûleur est commandé par un thermostat qui peut être réglé à la température désirée, habituellement 70°F. Pour arrêter le brûleur, placer l'interrupteur principal à la position OFF.

### COMMANDES

Procurer à la fournaise les soins et l'attention requis. Il n'est pas recommandé d'utiliser la fournaise comme incinérateur. Les conduits des gaz de combustion doivent être propres, pour un fonctionnement économiquement. Les volets sont ajustés par l'installateur et ne doivent pas être touchés. La chambre à fournaise doit être adéquatement aérée d'une façon permanente.

### CHAUFFÉRIE

1. NE PAS UTILISER D'ESSENCE, D'HUILE USAGÉE À MOTEUR OU D'HUILE CONTENANT DE L'ESSENCE.
2. NE PAS DÉRÉGULER L'APPAREIL OU LES COMMANDES. APPELER LE TECHNICIEN.
3. Ne pas amorcer le brûleur quand il y a accumulation d'huile ou de vapeurs d'huile ou quand la chambre de combustion est très chaude.
4. Ne pas amorcer le brûleur quand la porte de la soufflerie n'est pas en place.
5. NE PAS BRÛLEUR DE PAPIER OU DE DÉCHETS ET NE PAS LAISSER DE PAPIER OU DE CHIFFONS PRÈS DE LA FOURNAISE.

### PRÉCAUTION

Le réservoir ne doit jamais contenir moins que le quart de sa capacité. Les réservoirs extérieurs, s'ils ne sont pas pourvus d'un indicateur, doivent être jaugés à l'aide d'une règle. L'huile à fournaise n°2 est recommandée.

### HUILE

Le fonctionnement du brûleur est entièrement automatique. Tous les ajustements ont été faits avec soin et ne doivent pas être modifiés. Protéger le brûleur de toute saleté excessive et de l'humidité. Toute fuite d'huile si petite soit-elle, doit recevoir une attention immédiate. Le filtre à l'huile doit être nettoyé une fois l'an par le technicien. Le moteur exige quelques gouttes d'huile légère deux ou trois fois par année. Aucune autre pièce n'a besoin de lubrification.

### ENTRETIEN GÉNÉRAL

# FONCTIONNEMENT DU BRÛLEUR À L'HUILE

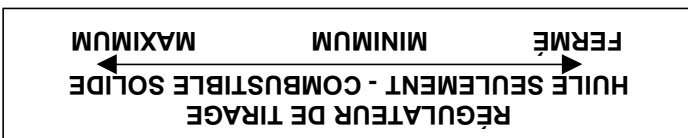
Ne pas charger le côté du combustible solide plus qu'à la moitié du revêtement pour ne pas surchauffer les sorties d'air chaud.

### DURANT LA PANNE

En cas de panne prolongée, retirer les portes d'accès à la soufflerie pour permettre une libre circulation d'air. Le ventilateur de tirage sera stoppé. Si la combustion exige plus d'air, ouvrir le volet dans la porte de la fournaise. Lorsque le courant est restauré, s'assurer de replacer les portes et de fermer le volet.

### PANNE D'ÉLECTRICITÉ

1. Pour chauffer au bois ou au charbon en toute sécurité, suivre les instructions sur l'étiquette de la fournaise.
  - La chambre à fournaise doit posséder une aération adéquate. Si la fournaise se trouve dans un endroit fermé, prévoir une entrée d'air d'un pouce carré par 1,000 BTU.
  - Utiliser une cheminée appropiée pour le combustible solide et la libérer de toute accumulation de suie ou de cendre.
  - Les accumulations de suie et de cendre sont non seulement un danger d'incendie mais diminuent l'efficacité.
  - En cas de feu de suie, régler tous les thermostats à leur plus bas niveau, fermer le régulateur de tirage barométrique et appeler les pompiers.



10. (a) Un régulateur de tirage à glissière au-dessus du foyer permet de doser l'air de combustion admis dans le foyer. Ajuster la glissière de façon à obtenir une quantité d'air suffisante pour le type de combustible solide utilisé. Ouvrir au maximum pour le charbon et selon la grosseur et le type de bois. Pour une plus grande efficacité du chauffage à l'huile, refermer la glissière et régler le thermostat du combustible solide au point le plus bas.
 

(b) ILLUSTRATION DE L'ÉTIQUETTE DE LA FOURNAISE

# FONCTIONNEMENT DE LA FOURNAISE MIXTE

1. Lorsque l'installation est complétée régler au plus bas le thermostat du brûleur à l'huile et celui du combustible solide.  
2. Fermer l'interrupteur d'alimentation et régler le thermostat du combustible solide à une température supérieure à celle de la pièce. Le ventilateur de tirage devrait se mettre en marche. Si cela ne se produit pas vérifier: (a) la source d'alimentation; (b) la tension à l'enroulement secondaire ou transformateur du relais de commande; (c) le raccordement électrique; (d) la tension au moteur du ventilateur de tirage. Si les étapes (a) à (d) sont correctes, le ventilateur est défectueux. (Ne pas manquer de vérifier se l'interrupteur sur le moteur de ventilateur de tirage est réglé sur "ON" en marche).  
3. Ouvrir le commutateur de ligne, régler le thermostat du combustible solide au bas de l'échelle et celui du brûleur à l'huile à une température supérieure à celle de la pièce. Retirer le bouchon du purgeur de pompe. (Voir le diagramme attaché à la pompe). (a) Ouvrir la soupape d'alimentation d'huile, (b) placer un récipient pour recueillir la mousse, (c) fermer le commutateur de ligne et, dès l'apparition d'huile pure ouvrir le commutateur de ligne et remettre le bouchon du purgeur, (d) fermer le commutateur de ligne et le brûleur à l'huile devrait fonctionner normalement après quelques secondes.  
Si l'appareil ne démarre pas, vérifier: (a) la source d'alimentation, (b) le thermostat et le circuit, (c) le raccordement électrique, (d) l'interrupteur thermique du moteur. Si l'appareil démarre mais est arrêté par le dispositif de sûreté, vérifier: (a) l'alimentation en huile, (b) l'allumage (électrodes et transformateur), (c) la cellule.  
Si l'appareil est arrêté par le dispositif de sûreté, ne pas pousser le bouton de rappel plus d'une fois sans réparer la cause.  
4. Régler la commande d'air du brûleur à l'huile jusqu'à l'obtention d'un essai de fumée #1 ou moins. Le volet-glassière de la porte d'alimentation de bois doit être fermé durant cette opération. Si on n'a pas d'appareil d'essai de fumée, fermer lentement le réglage d'air pour obtenir un peu de fumée aux pointes des flammes.  
5. A l'aide du régulateur de tirage barométrique régler le tirage à .03" à la cheminée. Ceci doit être fait à l'aide d'un indicateur de tirage. Le tirage ne doit pas excéder .05 pour éviter tout dommage lors de l'utilisation de la fournaise par gravité. L'essai doit être effectué entre le collier du conduit de fumée sur la fournaise et le régulateur de tirage. Une analyse des gaz d'échappement doit être faite. L'appareil sera réglé pour obtenir une proportion de CO2 entre 8% et 10%.  
6. La commande soufflante et limite est actionnée par la chaleur. Le côté limite est branché en série à l'alimentation électrique du brûleur à l'huile. Dans le cas d'un arrêt de la soufflante, de filtres bouchés ou d'une quelconque défectuosité, la limite pré-réglée interrompra l'alimentation électrique du brûleur. Si la commande limite arrête l'appareil, ceci peut être causé par une insuffisance d'air au retour d'air ou une grille de retour d'air bouchée par un tapis, des causes fréquentes.  
Le côté de charge de la commande de limite allimente aussi le relais-transformateur. Si la commande de limite arrête l'appareil, le ventilateur de tirage aussi sera stoppé.  
7. Le côté soufflante de la commande combinée se règle à l'aide des indicateurs de marche et d'arrêt. Si la soufflante de la fournaise a été ajustée pour augmenter la température de 75°F (différence entre air chaud et retour d'air froid), un ajustement ON à 130°F - 100°F et OFF à 90°F - 100°F est souhaitable pour assurer le confort. L'augmentation de la température s'obtient en accélérant ou en ralentissant la soufflante, à l'aide de la poulie réglable du moteur de la soufflante. L'augmentation maximale de température est de 85°F (modèles CL115-170) et 75°F (modèles CL86,96). La vitesse de la soufflante est réglée à l'usine pour donner une hausse de température de 75°F sous une pression statique de 0.20 po colonne d'eau ou 0.25 po colonne d'eau (résistance de l'air dans les conduits). La plupart des conduits des maisons n'ayant pas cette résistance la vitesse de la soufflante est variable et peut être réglée selon les instructions suivantes.  
Lorsque le brûleur à l'huile fonctionne, placer un thermomètre dans le conduit d'air chaud (hors de vue de l'échangeur de chaleur) et mesurer la température après au moins 5 minutes de fonctionnement. (S'assurer que la porte de la soufflante est fermée.) Mesurer simultanément la température au retour d'air (dans une grille de retour). Si la différence de température est inférieure à 75°F, ralentir la vitesse de la soufflante en ouvrant la poulie du moteur ou en la fermant si la différence est supérieure. Dans la majorité des cas la soufflante doit être ralentie.  
8. A l'aide du support réglable du moteur, placer le moteur pour obtenir une flexion de la courroie d'environ un pouce. Ce réglage est important car une courroie trop tendue use prématurément les coussinets, consomme plus d'énergie et est plus bruyante.  
En suivant ces instructions, il sera possible d'obtenir une circulation d'air continue et confortable et aussi d'éviter la dépense d'un moteur à deux vitesses simplement en utilisant l'interrupteur manuel de la commande combinée.  
9. Avant de charger le foyer de combustible solide, mettre en marche le ventilateur de tirage en haussant le thermostat. Dès que le feu est allumé, régler le thermostat à la température désirée. IMPORTANT: Il faut apprendre à charger le foyer de bois (ou de charbon (Modèle G)) selon les besoins spécifiques de sa maison pour maintenir une température confortable. La quantité de combustible requis dépend des exigences de la maison.  
10. Le thermostat du brûleur à l'huile pour les fournaises mixtes est généralement réglé plus bas de 5" que le thermostat pour le bois. Lorsque le thermostat du combustible solide exige de la chaleur, il amorce le ventilateur de tirage. Si le bois est consommé et que la température de la maison baisse, le thermostat du brûleur à l'huile entre en action. La FOURNAISE MIXTE NEWMAC est munie d'un relais qui arrête le ventilateur de tirage dès que le brûleur à l'huile fonctionne. Ce mécanisme assure l'efficacité du brûleur à l'huile et rend le fonctionnement de la fournaise sécuritaire.

## GRILLES

Retirer la pièce de blocage pour l'expédition, afin de permettre aux grilles de pivoter aisément pour secouer les cendres.

### POUR RETIRER UNE GRILLE

1. Retirer la plaque avant en fonte.
2. Glisser chaque grille le plus possible vers l'avant.
3. Soulever l'arrière de la grille d'environ 6 pouces.
4. Glisser la grille vers le fond-arrière du foyer et la soulever.

### POUR INSTALLER UNE GRILLE

1. En soulevant l'arrière de la grille, glisser l'avant du foyer que la tige passe dans le trou de retenue situé à l'avant du foyer.
2. Abaisser l'arrière de la grille et passer la tige dans le trou de retenue aménagé à l'arrière.
3. Pour le chauffage au charbon, replacer la plaque avant en fonte.

### PLAQUE AVANT EN FONTE

Pour le chauffage au charbon seulement:

1. Retirer le dispositif de blocage des briques supérieures.

2. Passer la plaque avant en fonte par la porte du foyer et la retenir à l'avant du foyer, au-dessus des briques. Le motif carré de la plaque doit faire face à l'intérieur du foyer.

3. Déposer la plaque avant en fonte de façon qu'elle repose sur la tige ronde des grilles.
4. Replacer le dispositif de blocage des briques supérieures. (Cadre supérieur)

### PLAQUE AVANT EN FONTE

Pour le chauffage au charbon seulement:

1. Passer la plaque avant en fonte par la porte du foyer et la retenir à l'avant du foyer, au-dessus du revêtement. Le motif carré de la plaque doit faire face à l'intérieur du foyer.
2. Déposer la plaque avant en fonte de façon qu'elle repose sur la tige ronde des grilles.

### REVÊTEMENT EN FONTE

Pour les modèles CL 115-170G

Accrocher les pièces de revêtement sur les pièces de retenue, tel qu'illustré. Installer les pièces de revêtement selon la séquence numérotée de 1 à 6. Les 3 autres pièces sont placées du côté opposé aux pièces 4, 5, et 6 en commençant par le coin arrière.

Remarque : Ce moulage de devant n'est pas exigé en brûlant du bois. Cependant, ce moulage ou cette plaque de grille fournie devrait être placé sur les grilles pour brûler de bois plus efficace et empêcher des charbons de bois d'échouer et gondoie des grilles.

FIG. - 10C - PLAQUE DE GRILLE

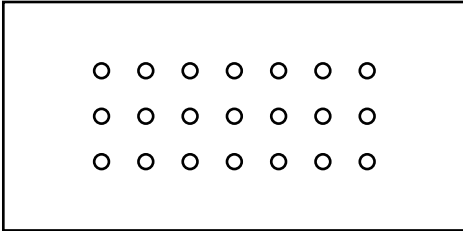


FIG. 10B  
MODÈLES CL 115G-170G FOYER

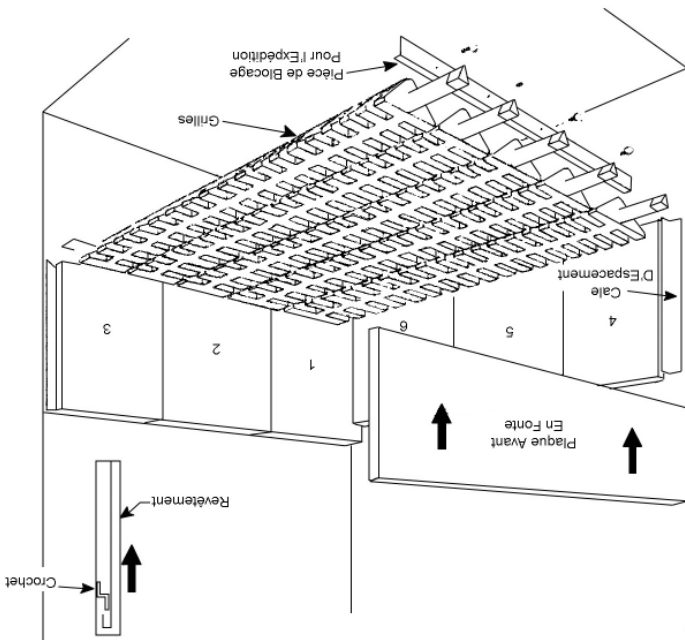


FIG. 10A  
MODÈLES CL 86G, 96G FOYER

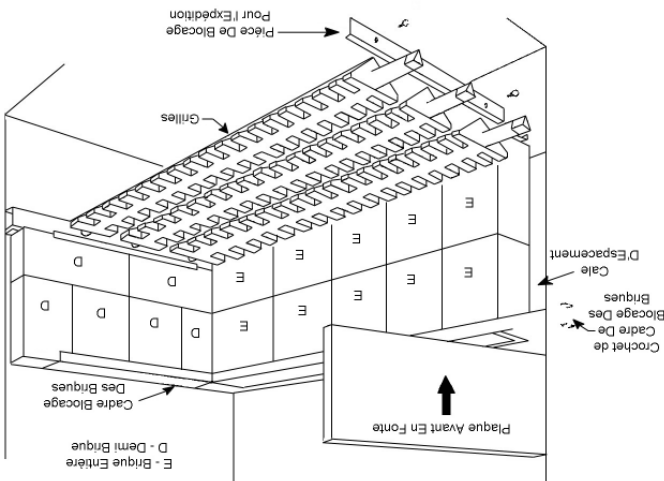




FIG. 9B - CL86-96C  
 COMMENT INSTALLER LE FOYER  
 AVEC PLAQUE AVANT EN ACIER INOXYDABLE

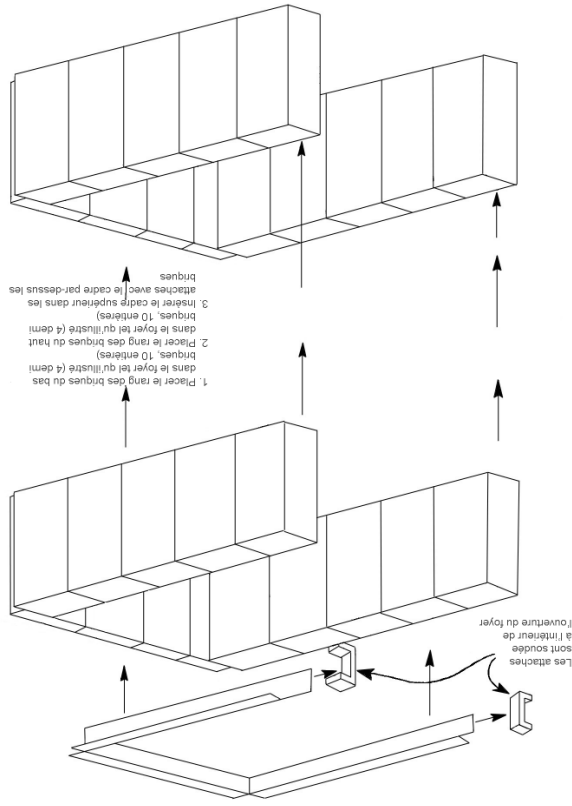


FIG. 9A - CL115C-170C  
 COMMENT INSTALLER LE FOYER  
 AVEC PLAQUE AVANT EN ACIER INOXYDABLE

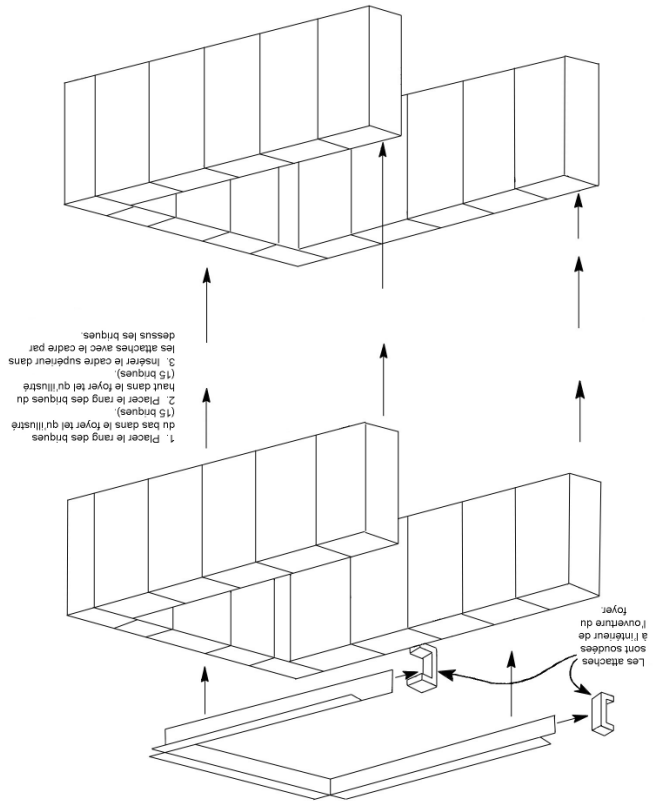


FIG. 7 - RACCORDEMENT DU TUYAU DE FUMÉE ET ESPACE LIBRE MINIMAL

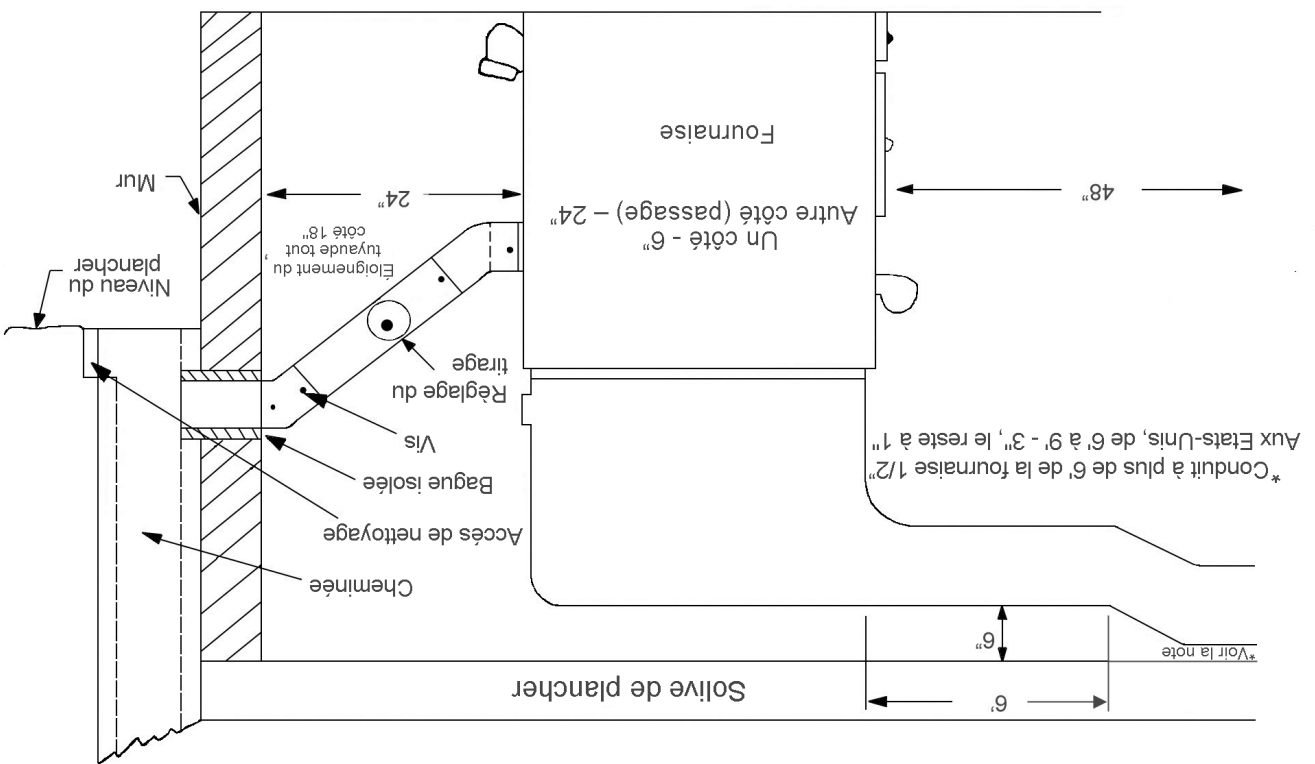
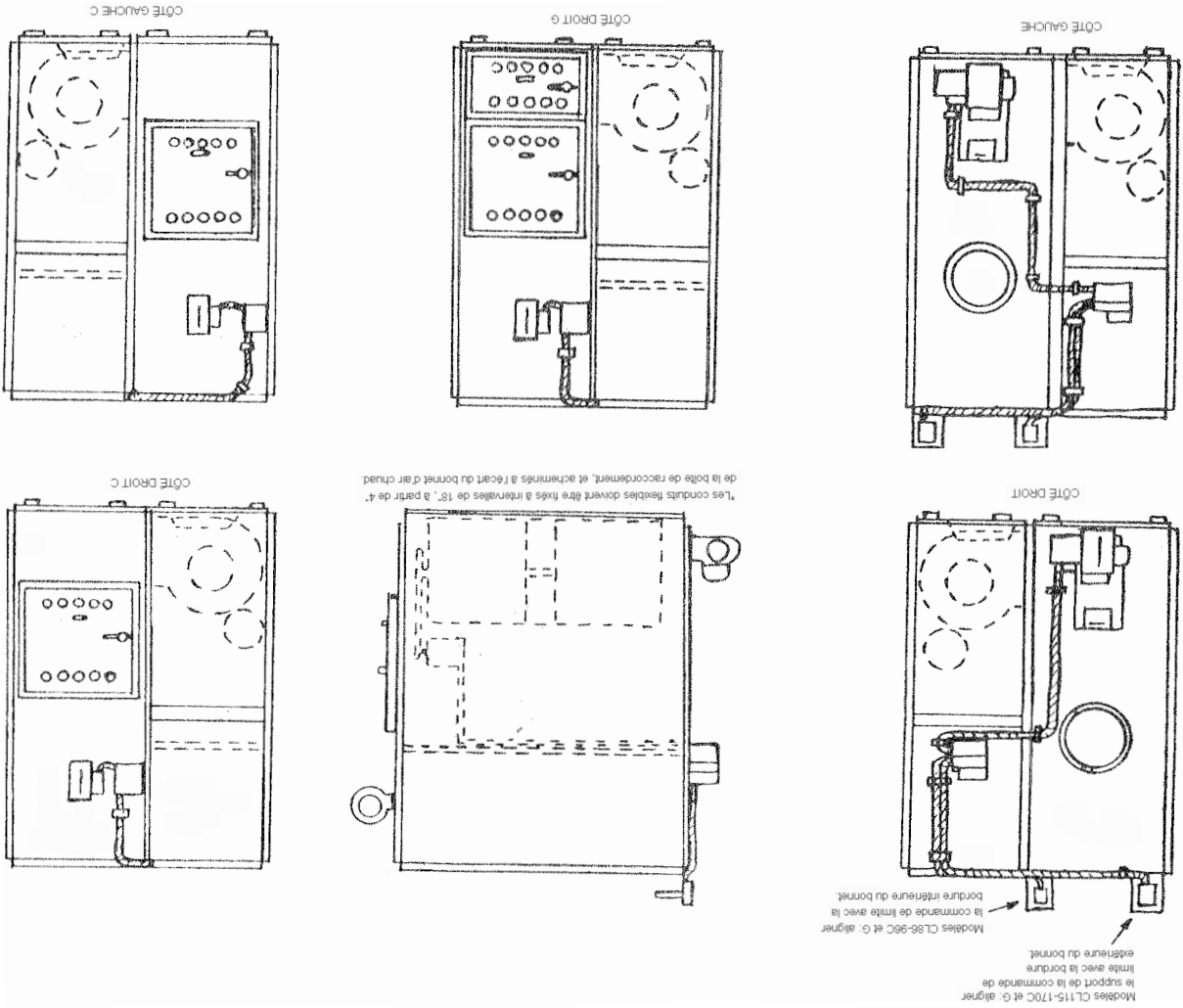


FIG. 8 - EMBLEMENTS DES COMMANDES



## INSTALLATION SUR LA PLAQUE DU BRÛLEUR – APPAREILS COMBINÉS - FIGS. 6A ET 6B

1. Reportez-vous à la Fig. 6A. Enlevez le bouchon d'un diamètre de 5/8» de la plaque du brûleur. Découpez ou limpez un trou dans l'isolant rigide en fibre de verre, à l'arrière du trou de 5/8» dans la plaque du brûleur. Le trou doit être assez large pour que l'écrou de fixation du WMO-1 puisse être fixé contre l'arrière de la plaque du brûleur. Enlevez un des écrous de fixation du tube de l'assemblage WMO-1. Serrez l'autre écrou autant que possible contre le tube.
2. Reportez-vous à la Fig. 6B. Avec l'assemblage WMO-1 à l'extérieur de la plaque du brûleur, insérez l'extrémité fileté du tube dans le trou de 5/8» dia. dans la plaque du brûleur, installez à nouveau le premier écrou de fixation contre le tube à l'intérieur de la plaque du brûleur. Serrez fermement.
3. Reportez-vous à la Fig. 6C. En utilisant un conduit (BX) souple AC90 approprié ou équivalent, faites la connexion du commutateur WMO-1 en série avec le circuit de limite de l'appareil. Raccordez-le à la boîte de jonction de l'appareil.
4. Vérifiez le fonctionnement du commutateur WMO-1 avant de terminer l'installation. Le commutateur WMO-1 est réenclenché en poussant le bouton carré rouge.

## VÉRIFICATION DU COMMUTATEUR WMO-1 POUR ÉVÉNT BLOQUÉ

Remarque : Prenez les précautions nécessaires, car ce test peut produire de la suie, de la fumée ou des gaz. L'appareil doit être sous surveillance pendant toute la durée du test.

1. Mettez l'appareil hors tension et bloquez le tuyau d'évent en aval (cheminée) de la soupape barométrique.
2. Démarrez l'appareil.
3. Le commutateur WMO-1 normalement doit arrêter le brûleur à huile en moins de 10 minutes.
4. Après le test, mettez l'appareil hors tension et laissez-le se refroidir.
5. Enlevez le blocage du tuyau d'évent.
6. Ré-enclenchez le commutateur WMO-1 en poussant sur le bouton carré rouge jusqu'à ce que vous entendiez un déclic.
7. Assurez-vous que l'appareil est dans un état sécuritaire.

## ENTRETIEN ET NETTOYAGE

L'assemblage du commutateur WMO-1 doit être vérifié et nettoyé une fois par année et après chaque arrêt du brûleur déclenché par le commutateur.

## PROCÉDURE DE NETTOYAGE

1. Mettez l'appareil hors tension.
2. Enlevez les deux vis de fixation de la sonde de température thermostatique.
3. Retirez délicatement la sonde d'un côté.
4. En utilisant une brosse douce appropriée ou un chiffon, nettoyez délicatement toute suie de la surface de la sonde et à l'intérieur du tube de 5/8» dia.
5. Remettez la sonde en place et fixez-la fermement avec les vis de fixation.
6. Vérifiez l'état des connexions et si elles sont bien fixées.
7. Vérifiez que le tube de 5/8» dia. et les écrous de fixation sont bien fixés.
8. Remettez le couvercle en place et fixez-le avec les vis de fixation.
9. Vérifiez le fonctionnement du commutateur WMO-1, tel que décrit plus haut.
10. Vérifiez le fonctionnement du commutateur WMO-1, tel que décrit plus haut.

## DÉPANNAGE

Si, pour une raison quelconque, le commutateur WMO-1 arrête l'appareil en fonction, il faut en vérifier la cause et corriger la situation avant de réenclencher le commutateur et de démarrer l'appareil. Le commutateur de blocage est réenclenché en poussant sur le bouton carré rouge jusqu'à ce qu'on entende un déclic.

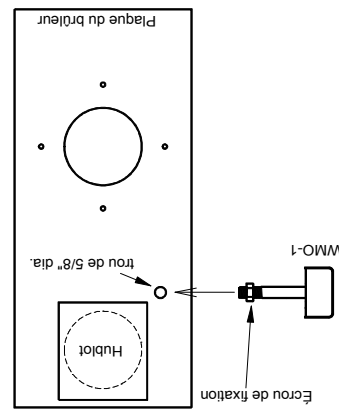


FIG. 6A

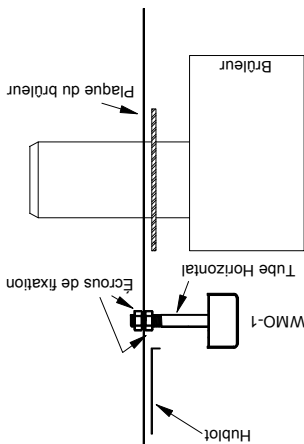


FIG. 6B

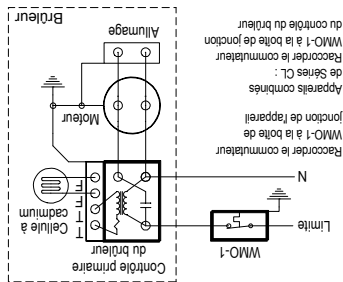


FIG. 6C

## TENSION DE LA CURROIE

Lorsque le réglage du poulie est ajusté, il faut s'assurer que la courroie peut fléchir d'approximativement 1 pouce lorsque immobile.

## AIR À COMBUSTION

Lorsque des ventilateurs sont utilisés dans la pièce où l'appareil de combustion du combustible solide est situé, pas créer des pressions négatives dans la pièce où l'appareil de combustion du combustible solide est situé.

## INSTALLATION DES CONDUITS

Afin de prévenir les excès de bruit et la hausse de température, il faut utiliser un conduit de retour d'air d'une dimension minimum de 250 po. ca. (po<sup>2</sup>).

1. De placer la fournaise au centre de la maison pour assurer une meilleure distribution de la chaleur.

2. D'installer un conduit d'alimentation excédant d'au moins une dimension les normes de la National Warm Air Standards  
3. D'utiliser des tuyaux de 6» de diamètre pour les canalisations et dans tous les cas jamais plus petits que 5» de diamètre.

4. De donner une pente aux conduits et canalisations afin de faciliter la circulation de l'air chaud par gravité.

IMPORTANT	FIG. 5 - DIMENSIONS MINIMALES DES CONDUITS	
Fournaise	Retour d'air	Alimentation
MIXTE CL86,96	250 po ca	180 po ca
MIXTE CL115	250 po ca	220 po ca*
MIXTE CL140	250 po ca	220 po ca
MIXTE CL155	280 po ca	240 po ca
MIXTE CL170	300 po ca	260 po ca

Le tableau ci-haut donne le MINIMUM de surface libre requise pour les conduits. Le bonnet d'alimentation prolongé doit avoir une longueur de 8 à 10 pieds à partir de la fournaise et ses dimensions doivent être celles du tableau ci-haut. À partir de 10 pieds, graduellement le réduire jusqu'au bout du système de conduit. Si le bonnet a moins de 24" de haut, augmenter la dimension des conduits proportionnellement.

\* La surface libre requise pour l'alimentation en air du modèle CL115C-G est la même que pour le modèle CL140C-G parce que la section de cette fournaise ou brûle le bois peut développer 140,000 BTU.

## HUMIDIFICATEUR

L'humidificateur s'installe sur le bonnet de retour d'air, afin de la protéger des dommages que pourrait lui causer une température excessive lors d'une panne d'électricité.

Les conduits qui le raccordent au bonnet d'air chaud doivent être en métal.

## COMMUTATEUR POUR ÉVENT BLOQUÉ POUR FOURNAISES À MAZOUT MODÈLE WMO-1

Référez-vous aux instructions de commandes de Newmac et de Field Controls incluses dans le paquet WMO-1.

N'utilisez pas le commutateur WMO-1 pour évent bloqué avec le système d'évacuation scellée SVS de Newmac.

Le commutateur à réenclenchement manuel WMO-1 pour évent bloqué est conçu pour couper le courant au brûleur à mazout lorsque les gaz chauds dans le tuyau de raccordement de l'évent de la cheminée sont retoulés suffisamment pour le déclencher, ce s'il est installé sur un évent de cheminée ou sur la plaque du brûleur de l'appareil en suivant ces instructions.

Au Canada, le commutateur WMO-1 doit être installé dans le cas des nouvelles fournaises ou chaudières à mazout et d'appareils combinés Newmac, et ce par un technicien qualifié, conformément aux instructions d'installation du fabricant.

Les connexions électriques doivent être conformes au Code national de l'électricité et autres normes en vigueur.

Pour terminer, vérifiez que le commutateur WMO-1 et le couvercle sont fermement fixés en place.

ENSEMBLE MOTEUR/VENTILATEUR

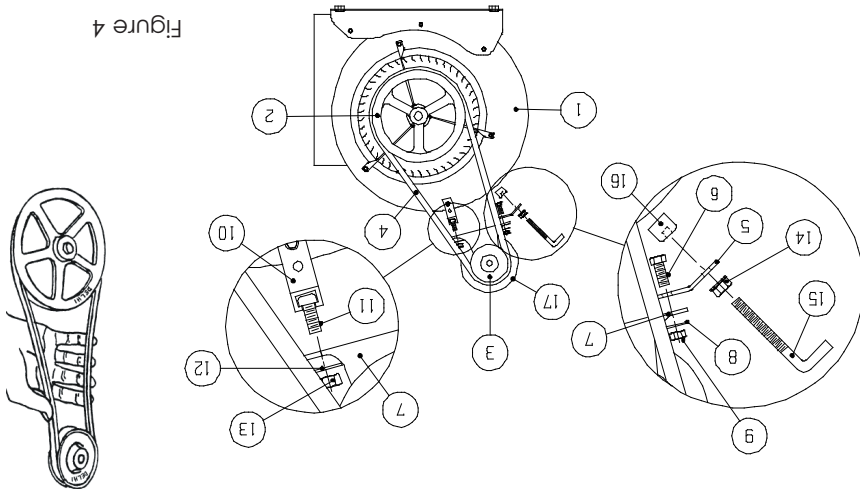
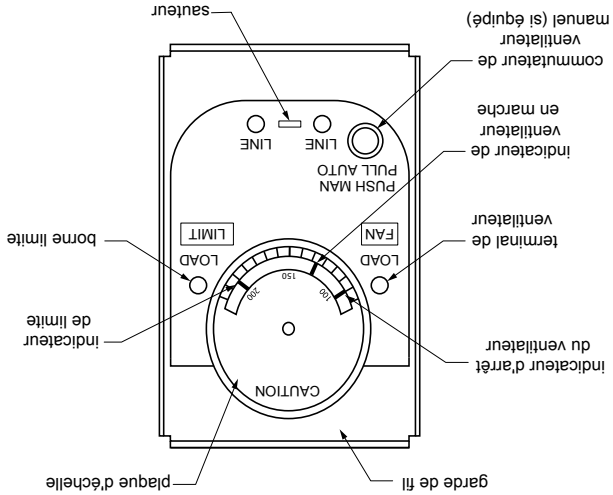


Figure 4

Réglages – Soufflerie arrêt, 95°F; marche, 130°F. Limite max: 210°F pour les modèles CL115-170C, G; 180°F pour les modèles CL86-96C, G.



### COMMANDES DE LA SOUFFLERIE ET DE LA LIMITE

REMARQUE: Pour que la soufflerie demeure en marche, pousser l'interrupteur MANUAL-AUTO à la position MAN.

5. Raccorder les fils tel qu'illustré au Fig. 13 (tous les modèles).
6. Installer le(s) réservoir(s) d'huile selon les indications fournies par le fabricant de la pompe. Celles-ci se trouvent attachées à la pompe.
7. Placer les briques dans le foyer selon le Fig. 10A pour les modèles CL86-96C, selon le Fig. 9B pour les modèles CL86-96C et selon le Fig. 9A pour les modèles CL115-170C. Pour installer les grilles de modèles CL86-96C, consulter le Fig. 10A; pour installer les grilles et le revêtement de fonte des modèles CL115-170C, consulter le Fig. 10B.
8. Ne pas utiliser de registre (cié) manuel dans le tuyau de fumée de cette fournaise.
9. PRÉCAUTION: Si cette fournaise est destinée à en remplacer une autre, prévoir qu'il faut un espace libre de 6" au-dessus du bonnet d'air chaud et cela jusqu'à au moins 6 pieds de la fournaise. Au-delà de 6 pieds, l'espace libre doit être d'au moins 1/2 po.

Cette unité doit être raccordée à une cheminée approuvée pour fournaise à combustion solide, ie. ULC S629 (Canada) et UL103 (US). Newmac recommande une cheminée avec un diamètre intérieur de 8" rond ou carré, par contre, celle-ci peut être réduite à 7" à condition qu'il y ait assez de tiré à l'unité pour opérer telle que conçue. C'est la responsabilité de l'installateur de s'assurer qu'il y ait assez de tiré en tout temps. La tiré devra être entre -0.03 et -0.05 de colonne d'eau. Aucune autre unité ne doit être raccordée à cette cheminée à moins que l'installation soit conforme à la clause 5 de B365. Amended April 2003. L'installation doit être conforme aux règlements des autorités locales ayant la responsabilité de l'application des normes du Code de l'électricité et de l'ACNOR (CSA) norme B139 - "The Installation Code for Oil Burning Equipment," et B365- "The Installation Code for Solid Fuel Burning Appliances and Equipment" en rapportant à fournir des dégagements de plénum d'air et l'installation de tuyau de conduit. Le tuyau de conduit doit être noir 24 minimum de tuyau de ga Les dimensions du col de conduit de cheminée permettent l'insertion d'un tuyau de cheminée de dimensions standard à l'intérieur du conduit de cheminée. Les joints des tuyaux de cheminée, y compris le raccord à l'appareil et à la cheminée, se chevaucheront d'au moins 30mm (1-1/3/16 p.o.). Les raccords des tuyaux de cheminée doivent être fixés à l'aide d'au moins 3 vis en métal ou tout autre moyen mécanique équivalent; le tout, doit être assez pour se conformer aux règles de l'art. Les produits du conduit de cheminée peuvent contenir du monoxyde de carbone, surtout lorsque le feu de bois manque d'air (brûle à petit feu). C'est pourquoi le tuyau de cheminée doit être inséré dans le courant d'air du ventilateur de circulation. L'entreposage du bois doit être conforme aux règlements locaux. Cette fournaise doit être installée par un technicien qualifié.

### UN APPORT D'AIR COMBURANT NEUF

L'alimentation en air comburant neuf est nécessaire pour empêcher les appareils à combustibles de rejeter des produits de combustion dans la maison. Les indications servant à déterminer si un apport d'air comburant s'impose ne conviennent pas à toutes situations. Dans le doute, il est recommandé d'assurer un apport d'air.

1. L'appareil à combustibles solides présente des anomalies, telles que tirage irrégulier, retour de fumée, mauvaise combustion et contretrirage qu'il y ait combustion ou non;
2. Les appareils à combustibles existants, tel que foyers ou autres appareils de chauffage, dégagent des odeurs, chauffent mal, causent des retours de fumée ou le contretrirage, qu'il y ait combustion ou non;
3. L'ouverture d'une fenêtre, même légère, par temps calme (sans vent) élimine chacun des problèmes mentionnés ci-haut.
4. La maison est pourvue d'un pare-vapeur étanche et de fenêtres ajustées, et (ou) est dotée de dispositifs méchaniques d'évacuation de l'air intérieur;
5. Il y a condensation excessive sur les fenêtres en hiver et La maison est munie d'un système de ventilation.
6. Selon ces indices ou d'autres semblables, il y a infiltration d'air insuffisante, il faut assurer un apport d'air comburant neuf.

ÉLOIGNEMENT MINIMUM DE TOUTE SURFACE INFLAMMABLE: Voir la FIG. 7

Extrémité du brûleur à l'huile	24po	Dessus du fournir le plénum	6po
Extrémité de la porte pour le bois	48po	Fournir le plénum et conduits à 6' de la fournaise	6po
Côté	6po	Conduit à plus de 6pi de la fournaise	1/2po
Autre côté (passage)	24po	Aux États-Unis, de 6pi à 9pi	3po, le reste à 1po
Tuyau à fumée	18po	Retourner de l'Air « est autrement certifié » être installé comme par CSA B139	Dégagements (l'Espace de Solive Sans Doublure pourrait être utilisé pour l'Air de Retour comme il n'y a pas de rayonnement dans la section d'Air de Retour) Efficace le 2008 août se Référez au Code de Bâtiment de Canadien

## INSTALLATION DE LA FOURNAISE MIXTE

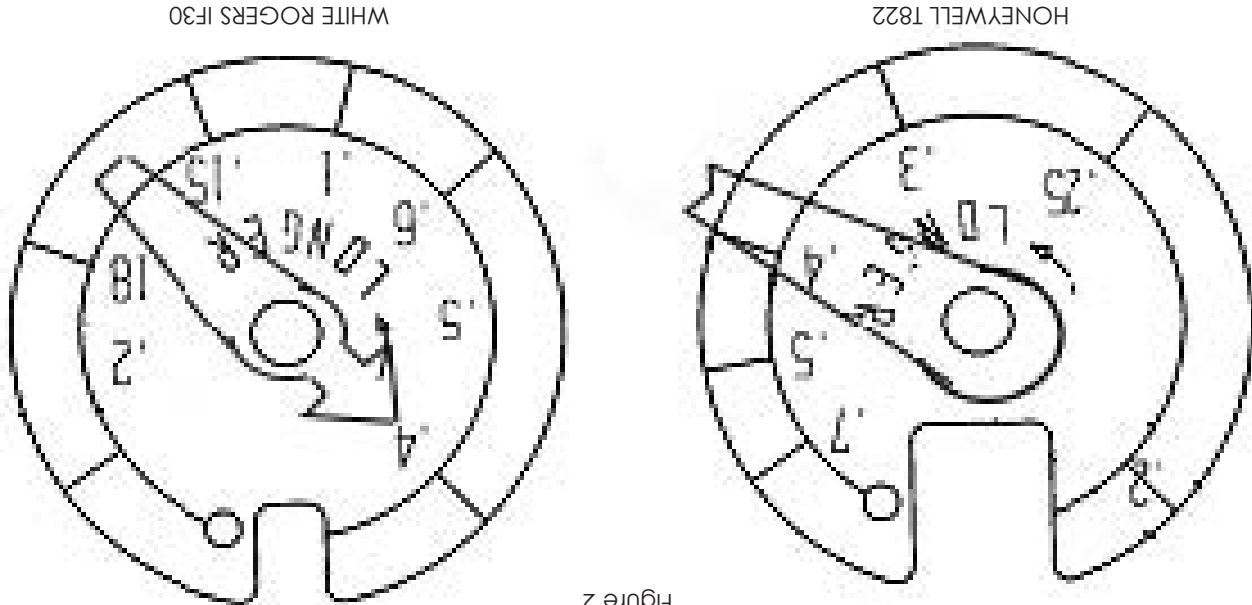
Vérifier les codes (provincial et régional), afin d'en respecter les exigences (espace libre, cheminée, installation) qui peuvent varier des exigences mentionnées dans ce manuel.

Il est recommandé d'installer la fournaise sur une base en béton pour qu'elle soit parfaitement de niveau et au-dessus de toute humidité. Il est aussi important que le dessus de la fournaise soit de niveau. La fournaise doit être placée à proximité de la cheminée, quand c'est possible, afin d'utiliser le minimum de feuilles de tuyau et de coudes.

Dans le cas d'une installation dans une chambre à fournaise fermée, prévoir une aération pour le brûleur – minimum 1 pouce carré par 1,000 BTU/heure.

1. LA FOURNAISE MIXTE NEWMAC s'installe avec retour d'air d'un côté ou de l'autre, bien qu'elle quitte l'usine avec retour d'air à droite, par rapport au brûleur. Pour obtenir l'alimentation en air du côté opposé, lorsque l'installation des conduits s'en trouve simplifiée, retirer le panneau de côté et le replacer du côté opposé.
2. Après avoir placé l'échangeur de chaleur du côté approprié sur la base en béton, assembler la section soufflante à la section échangeur de chaleur en alignant les trous et en y vissant les vis à métal.
3. Installer le gicleur d'huile dans l'assemblage du brûleur et s'assurer que les réglages sont conformes au Fig. 16. Installer le brûleur à l'huile sur la plaque de montage. S'assurer que le canon du brûleur à l'huile est aligné avec le trou aménagé dans la chambre de combustion.
4. Installer la boîte de raccordement, la commande soufflante/limite, le ventilateur de tirage et le thermostat selon le Fig. 8. Noter les réglages recommandés

Figure 2



Afin d'éviter que le cycle de chauffage soit trop court, l'anticipateur thermique doit être réglé à .4 ampère sur les thermostats, tel que le démontrent les diagrammes ci-dessous.

ATTENTION: L'anticipateur thermique GRILLERA si on applique 25 volts directement sur le thermostat en court-circuitant la commande primaire au cours de l'essai ou à cause d'une erreur de câblage. Si cela se produit, la garantie offerte sur le thermostat sera annulée.

## FOURNAISES MIXTES

Le destinataire est responsable de l'examen du contenu des emballages: en cas de dommages, il doit les signaler sur le connaissance du transporteur.

CAISSE # 1 – Echangeur de chaleur avec panneau d'extrémité et de côté montés, filtres, régulateur de tirage, carton des accessoires du brûleur, porte-brûles, s'il y a revêtement rétractaire, dans le foyer. Modèles CL115-170G: 5 grilles, 9 éléments de revêtement et 1 poignée de secoueur dans le foyer. Modèles CL86-96C: 3 grilles, 6 demi-brûles et 1 poignée de secoueur. Modèles CL86-96C: 8 demi-brûles dans le foyer.

CAISSE # 2 – Section soufflerie, soufflerie montée, courroie fixée.

CAISSE # 3 – Brûleur à huile, relais primaire, cellule et gicleur.

CAISSE # 4 – Briques rétractaires - CL86, 96C – 20 briques entières

CAISSE # 5 – Briques rétractaires - CL86, 96C – 20 briques entières

Modèles CL86, 96C – 20 briques entières

Modèles CL115, 170C – 30 briques entières

Carton des accessoires du brûleur – Harnais de câblage, commande limite de la soufflerie, thermostats du combustible solide et du brûleur à l'huile, boîte de raccordement avec le transformateur du relais installé, moteur de la soufflerie et poulie, groupe du ventilateur de tirage, manuel d'instructions.

## INSTRUCTIONS GÉNÉRALES

MODÈLE	AÉRO	ALIMENTATION BTU/HEURE	CAPACITÉ BTU/HEURE	GICLEUR (p.s.i.)	POMPE (p.s.i.)	INSERTION
CL86	F-AFC-2-8	105,000	86,000	.75 (80 R)	100	7-7/8"
CL96	F-AFC-2-8	119,000	96,000	.85 (80 R)	100	7-7/8"
CL115	F-AFC-3-8	140,000	111,000-109,000	1.00 (80 R)	100	7-7/8"
CL140	F-AFC-3-8	175,000	140,000-138,000	1.25 (80 R)	100	7-7/8"
CL155	F-AFC-3-8	189,000	152,000-150,000	1.35 (80 R)	100	7-7/8"
CL170	F-AFC-3-8	210,000	169,000-168,000	1.50 (80 R)	100	7-7/8"
MODÈLE	RIELLO	ALIMENTATION BTU/HEURE	CAPACITÉ BTU/HEURE	GICLEUR (p.s.i.)	POMPE (p.s.i.)	INSERTION
CL86	AFG (NM502)	105,000	86,000	.75 (70 A)	100	7-7/8"
CL96	AFG (NM502)	119,000	96,000	.85 (70 A)	100	7-7/8"
CL115	AFG (NM503)	140,000	111,000-109,000	1.00 (70 A)	100	7-7/8"
CL140	AFG (NM503)	175,000	140,000-138,000	1.25 (70 A)	100	7-7/8"
CL155	AFG (NM503)	189,000	152,000-150,000	1.35 (70 A)	100	7-7/8"
CL170	AFG (NM503)	210,000	169,000-168,000	1.50 (70 A)	100	7-7/8"
CL86	40 F3 (10" BT)	111,000	94,000	0.65 (60W)	150	7-1/2"
CL96	40 F3 (10" BT)	111,000	94,000	0.65 (AB)	150	7-1/2"
CL96	40 F3 (10" BT)	119,000	101,000	0.75 (60W)	130	7-1/2"
CL115	40 F5 (10" BT)	140,000	111,000-109,000	0.85 (60 W)	150	7-1/2"
CL140	40 F5 (10" BT)	175,000	140,000-138,000	1.00 (60 W)	150	7-1/2"
CL155	40 F5 (10" BT)	189,000	152,000-150,000	1.10 (60 W)	150	7-1/2"

United States Stove Company  
227 Industrial Park Rd.  
South Pittsburg, TN 37380  
Email: [www.newmacfurnaces.com](http://www.newmacfurnaces.com)  
Phone: (800)-750-2723



L'INSTALLATION DE L'UNITE EST CONFORME AUX REGLEMENTS DES AUTORITES JURIDICTIONNELLES. LIRE ET CONSERVER CES INSTRUCTIONS

FOUR A COMBINAISON COMMERCIAL  
DES MODELES: CL86-96C, CL86-96G, CL115-170C, CL115-170G

## Manuel d'installation et d'utilisation

